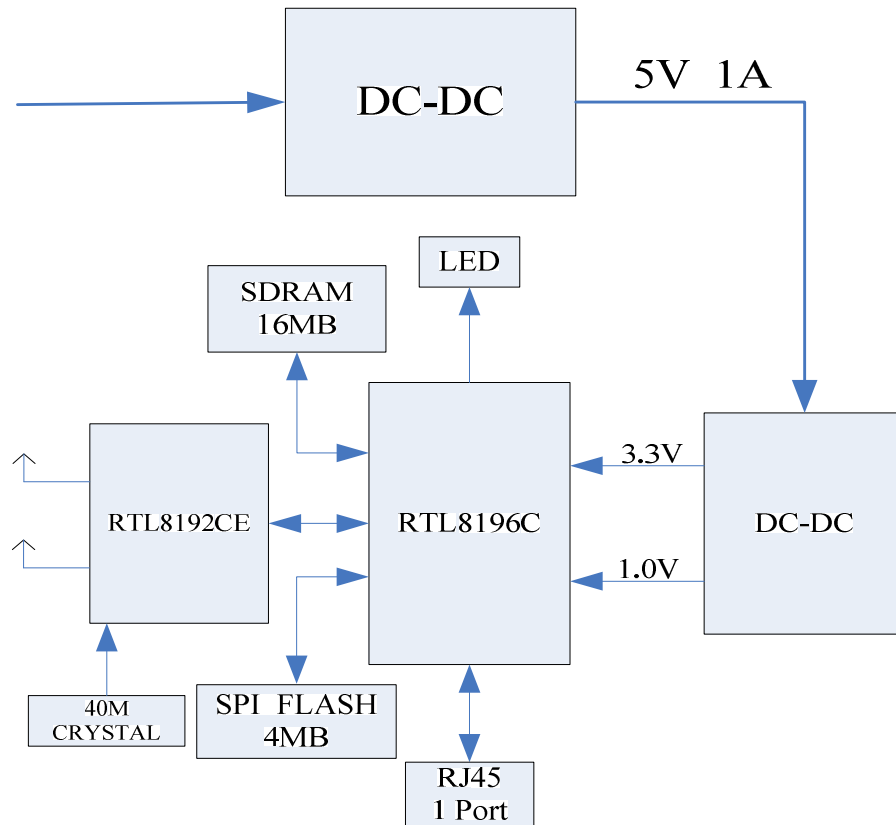


BLOCK DIAGRAM AND THEORY



The SMCWEB-N2 is a high-performance Compact WI-FI Repeater, uplink rate up to 1 Mbps and downlink rate up to 24 Mbps. It provides one RJ45 Ethernet interfaces. The Ethernet interfaces are used for connecting to the computer, through which you can access the Internet. The SMCWEB-N2 is an ideal broadband CPE solution for both home users who wish to share high-speed Internet access and small offices that wish to do business on the Internet. The SMCWEB-N2 has Web-based graphic user interface (GUI), in which you can easily modify the settings and connect to your ISP. It also provides flow statistics, connection status, and other detailed information. It supports static IP address, dynamic IP address, and PPPoE connection. The SMCWEB-N2 is easily upgraded and provides terminal users and ISP with the guarantee of future.

Frequency Range: 2412MHz~2462MHz: 802.11b; 802.11g; 802.11n (HT20)

2422MHz~2452 MHz: 802.11n (HT40)

Channel: Channel with 5MHz step

Antenna number: 2

Antenna gain: 1.6dBi, 1.8dBi

(The EUT is a MIMO device and it has two antennas. In 802.11b/g mode, there is only one antenna working.

In 802.11n20 and n40 mode, there are two antennas working.)

Type of emission: WIFI

Modulation type DSSS (802.11b) OFDM (802.11g/n)