

Safety Label Note:

1. Printing color: Black

2. **製造國家(MFG Country):**

Decide by import and export country
for example:

- 1. MADE IN TAIWAN
- 2. MADE IN CHINA

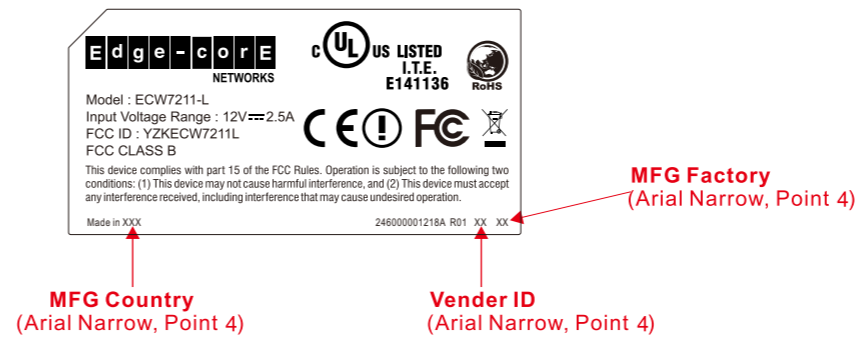
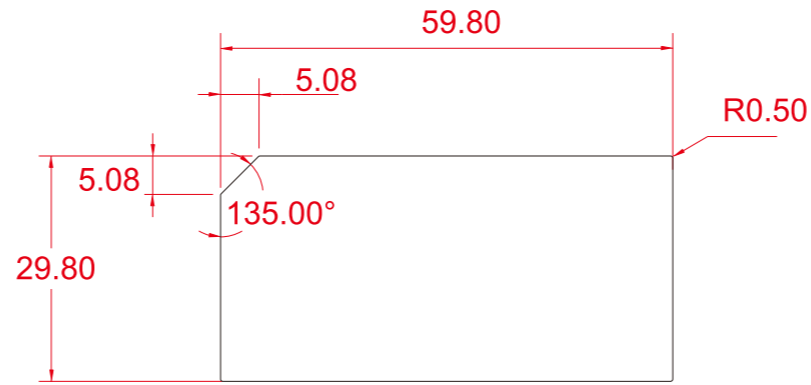
印刷廠商代號(Vender ID): (CSA 要求標示)

Decide by Vendor

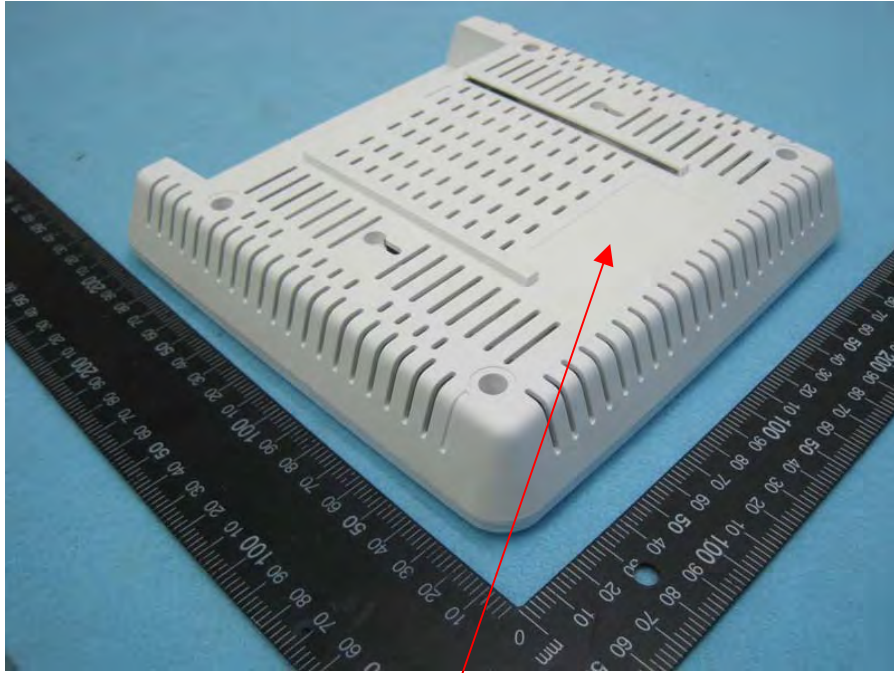
製造工廠代號(MFG Factory): (UL要求標示)

視代工廠而定(Decide by MFG Factory)

- 1. 吳陽 / Joytech (深圳 / ShenZhen)-----> None
- 2. Accton -----> AC



Modification	Card Paper / Top lineboard				Corrugate list				Cardboard Die Cut Legend				Unspecialized Die Cut Tolerance = +/- 0.5mm				PE Bag (A Degree)		Clear		Pink		Label list (Total Thickness = mm±10%)				Comply with RoHs			Accton TECHNOLOGY CORP.			
	GSM (g/m ²)	CCNB	SBS	Double SBS	Flute (A Degree)	Single wall	Double wall	CSM (g/m ²)	Bursting Strength	End Count	(C) Cutting Line	(CI) Crease Line	(PBL) Partial Blunt Line	(SO) Slit-Score Line	(SL) Slit Line	Flute Direction	Manufacture Stamp	Glue Joint	Normal (Non-Anti-Static)	Electronic	ESD Value/Ω	ESD Value/Ω	Material	Thickness	Adhesive	Material Spec:	Others			Part No. 246000001218A REV.01			
1	250				A/C	Taiwan 230 X 180 X 230	16	33.6												9-11	< 5	Art paper	0.025mm / 25# / 1mil	Acrylic	T=0.022mm	Material Spec:			Description: UL LABEL EAP1028B-25-0714-EC				
2	280				B	China 250 X 150 X 250	14	26.2														White Polyester	0.076mm / 75# / 3mil	"R" Adhesive	T=0.022mm	IQC Inspect Color			UNIT SCALE 1 / 1 SIZE A3				
3	300				E	Taiwan 230 X 100 X 230	14	22.5														(PP)Pepa paper	0.178mm / 7mil	Water Adhesive	T=0.022mm	Please refer to			Sheet 1 of 1				
4	310				AB	Taiwan 230X100X100X100X230	18	37.1														PC 8B35	0.254mm / 10mil	3M 467	T=0.05mm / 2mil	Approve	Lin	JAN08'15	MM (IN) Outside View				
5	340				BC	China 250X100X100X150X250	18	37.1														PC 8010	0.381mm / 15mil	3M 468	T=0.127mm / 5mil	Check							
6	350				E	Taiwan 220 X 100 X 200	14	28.5														Other	0.500mm / 20mil	3M 7945	T=0.127mm / 5mil	Design	Carry	JAN08'15					
7	Coated				White	China 175 X 140 X 230	12	18.6														PP Film	LF (T = 0.045mm)	DF (T = 0.035mm)									



Label here