



# RADIO TEST REPORT

**FCC ID** : YZKEAP102  
**Equipment** : Dual-Band Wi-Fi 6 Indoor Access Point  
**Brand Name** : Edgecore  
**Model Name** : EAP102  
**Applicant** : Edgecore Networks Corporation  
No. 1, Creation Rd. III, Science Park Hsinchu  
30077, Taiwan  
**Manufacturer (1)** : Accton Technology Corporation  
No. 1, Creation Rd. III, Science Park Hsinchu  
30077, Taiwan  
**Manufacturer (2)** : Accton Technology Corporation Zhunan Factory  
1F.& 5F, No. 1, Keyi St., Zhunan Township, Miaoli  
County 350 - TAIWAN  
**Standard** : 47 CFR FCC Part 15.247

The product was received on Sep. 02, 2021, and testing was started from Sep. 13, 2021 and completed on Sep. 13, 2021. We, Sporton International Inc. Hsinchu Laboratory, would like to declare that the tested sample has been evaluated in accordance with the procedures given in ANSI C63.10-2013 and shown compliance with the applicable technical standards.

The test results in this variant report apply exclusively to the tested model / sample. Without written approval of Sporton International Inc. Hsinchu Laboratory, the test report shall not be reproduced except in full.



Approved by: Sam Chen

**Sporton International Inc. Hsinchu Laboratory**  
No.8, Ln. 724, Bo'ai St., Zhubei City, Hsinchu County 302010, Taiwan (R.O.C.)



## Table of Contents

History of this test report.....3

Summary of Test Result.....4

**1 General Description .....5**

1.1 Information.....5

1.2 Applicable Standards .....8

1.3 Testing Location Information .....8

1.4 Measurement Uncertainty .....8

**2 Test Configuration of EUT .....9**

2.1 EUT Operation during Test .....9

2.2 Accessories .....9

2.3 Support Equipment.....10

2.4 Test Setup Diagram .....11

**3 Transmitter Test Result .....12**

3.1 Emissions in Restricted Frequency Bands.....12

**4 Test Equipment and Calibration Data .....15**

**Appendix A. Test Results of Emissions in Restricted Frequency Bands**

**Appendix B. Test Photos**

**Photographs of EUT v01**





### Summary of Test Result

Report Clause	Ref Std. Clause	Test Items	Result (PASS/FAIL)	Remark
1.1.2	15.203	Antenna Requirement	PASS	-
3.1	15.247(d)	Emissions in Restricted Frequency Bands	PASS	-

Reference to Sporton Project No.: 0N2725-06

**Declaration of Conformity:**

1. The test results with all measurement uncertainty excluded are presented in accordance with the regulation limits or requirements declared by manufacturers. It's means measurement values may risk exceeding the limit of regulation standards, if measurement uncertainty is include in test results.
2. The measurement uncertainty please refer to report "Measurement Uncertainty".

**Comments and Explanations:**

1. The test configuration, test mode and test software were written in this test report are declared by the manufacturer.
2. The declared of product specification for EUT presented in the report are provided by the manufacturer, and the manufacturer takes all the responsibilities for the accuracy of product specification.

Reviewed by: **Sam Chen**  
Report Producer: **Penny Kao**



# 1 General Description

## 1.1 Information

### 1.1.1 RF General Information

Frequency Range (MHz)	Bluetooth Mode	Ch. Frequency (MHz)	Channel Number
2400-2483.5	LE	2402-2480	0-39 [40]

Band	Mode	BWch (MHz)	Nant
2.4-2.4835GHz	BT-LE(1Mbps)	1	1
2.4-2.4835GHz	BT-LE(2Mbps)	2	1

Note:

- ♦ Bluetooth LE uses a GFSK modulation.
- ♦ BWch is the nominal channel bandwidth.



**1.1.2 Antenna Information**

Set.	Ant.	2.4G Port	5G Port	Bluetooth Port	Brand	P/N	Antenna Type	Connector	Gain (dBi)
1	1	1	1	-	MAG. LAYERS	MSA-1313-25 GC4-A2-TN	PIFA Antenna	I-PEX	Note 1
	2	2	2	-			PIFA Antenna	I-PEX	
	3	3	3	-			PIFA Antenna	I-PEX	
	4	4	4	1			PIFA Antenna	I-PEX	

Note 1:

Set.	Ant.	Gain (dBi)		
		2.4GHz	5GHz	Bluetooth
1	1	5.43	7.54	-
	2	5.36	6.92	-
	3	5.24	6.80	-
	4	5.19	6.76	5.19

Note 2: Directional gain information

Type	Maximum Output Power	Power Spectral Density
Non-BF	Directional gain = Max.gain + array gain. For power measurements on IEEE 802.11 devices Array Gain = 0 dB (i.e., no array gain) for N ANT ≤ 4	$DirectionalGain = 10 \cdot \log \left[ \frac{\sum_{j=1}^{N_{SS}} \left\{ \sum_{k=1}^{N_{ANT}} g_{j,k} \right\}^2}{N_{ANT}} \right]$
BF	$DirectionalGain = 10 \cdot \log \left[ \frac{\sum_{j=1}^{N_{SS}} \left\{ \sum_{k=1}^{N_{ANT}} g_{j,k} \right\}^2}{N_{ANT}} \right]$	$DirectionalGain = 10 \cdot \log \left[ \frac{\sum_{j=1}^{N_{SS}} \left\{ \sum_{k=1}^{N_{ANT}} g_{j,k} \right\}^2}{N_{ANT}} \right]$

Ex.

Directional Gain (NSS1) formula :

$$DirectionalGain = 10 \cdot \log \left[ \frac{\sum_{j=1}^{N_{SS}} \left\{ \sum_{k=1}^{N_{ANT}} g_{j,k} \right\}^2}{N_{ANT}} \right]$$

$$NSS1(g1,1) = 10^{G1/20} ; NSS1(g1,2) = 10^{G2/20} ; NSS1(g1,3) = 10^{G3/20} ; NSS1(g1,4) = 10^{G4/20}$$

$$g_{j,k} = (NSS1(g1,1) + NSS1(g1,2) + NSS1(g1,3) + NSS1(g1,4))^2$$

$$DG = 10 \log[(NSS1(g1,1) + NSS1(g1,2) + NSS1(g1,3) + NSS1(g1,4))^2 / N_{ANT}] => 10$$

$$\log[(10^{G1/20} + 10^{G2/20} + 10^{G3/20} + 10^{G4/20})^2 / N_{ANT}]$$

Where ;

$$5G \ G1 = 7.54 \text{ dBi}; G2 = 6.92 \text{ dBi}; G3 = 6.80 \text{ dBi}; G4 = 6.76 \text{ dBi}; DG = 13.03 \text{ dBi}$$

Note 3: The above information was declared by manufacturer.

Note 4: The EUT has one set of antenna.

**For 2.4GHz function:**

For IEEE 802.11b/g/n/VHT/ax mode (2TX/2RX)

The EUT supports all antennas with TX/RX diversity functions.

At once time there are only two antenna port can transmitting/receiving RF signal.

Port 1 and Port 2 generated the worst case than Port 3 and Port 4, so it is tested and recorded in the report.



**For 5GHz function:**

For IEEE 802.11a/n/ac/ax mode (4TX/4RX)

Port 1, Port 2, Port 3 and Port 4 can be used as transmitting/receiving antenna.

Port 1, Port 2, Port 3 and Port 4 could transmit/receive simultaneously.

**For Bluetooth function:**

Only Port 1 can be used as transmitting/receiving functions.

**1.1.3 EUT Operational Condition**

<b>EUT Power Type</b>	From Power Adapter or PoE		
<b>Function</b>	<input checked="" type="checkbox"/> Point-to-multipoint	<input type="checkbox"/> Point-to-point	
<b>Test Software Version</b>	AgXBT4_ATE A.06.02		
<b>Support Mode</b>	<input checked="" type="checkbox"/> LE 1M PHY: 1 Mb/s		
	<input type="checkbox"/> LE Coded PHY (S=2): 500 Kb/s		
	<input type="checkbox"/> LE Coded PHY (S=8): 125 Kb/s		
	<input checked="" type="checkbox"/> LE 2M PHY: 2 Mb/s		

Note: The above information was declared by manufacturer.

**1.1.4 Table for Permissive Change**

This product is an extension of original one reported under Sporton project number: FR0N2725AC

Below is the table for the change of the product with respect to the original one.

<b>Modifications</b>	<b>Performance Checking</b>
1. Adding UNII 2A and UNII 2C (5250~5350 MHz, 5470~5725 MHz) for this device. 2. Changing the distance of Maximum Permissible Exposure to "48cm" from "24cm".	After evaluating, it doesn't affect the test result of this test report.
3. Adding two thermal pad in PCB backplane. 4. Changing transformer from "LK24126SN 2022x" to "LK24147SN 2106".	Emissions in Restricted Frequency Bands Below 1GHz



### 1.2 Applicable Standards

According to the specifications of the manufacturer, the EUT must comply with the requirements of the following standards:

- ◆ 47 CFR FCC Part 15
- ◆ ANSI C63.10-2013

The following reference test guidance is not within the scope of accreditation of TAF.

- ◆ FCC KDB 558074 D01 v05r02
- ◆ FCC KDB 662911 D01 v02r01
- ◆ FCC KDB 414788 D01 v01r01

### 1.3 Testing Location Information

Testing Location Information	
Test Lab. : Sporton International Inc. Hsinchu Laboratory	
Hsinchu	ADD: No.8, Ln. 724, Bo'ai St., Zhubei City, Hsinchu County 302010, Taiwan (R.O.C.)
(TAF: 3787)	TEL: 886-3-656-9065 FAX: 886-3-656-9085
	Test site Designation No. TW3787 with FCC.
	Conformity Assessment Body Identifier (CABID) TW3787 with ISED.

Test Condition	Test Site No.	Test Engineer	Test Environment (°C / %)	Test Date
Radiated below 1GHz	03CH03-CB	Ken Yeh	24.6-25.7 / 55-58	Sep. 13, 2021

### 1.4 Measurement Uncertainty

ISO/IEC 17025 requires that an estimate of the measurement uncertainties associated with the emissions test results be included in the report. The measurement uncertainties given below are based on a 95% confidence level (based on a coverage factor (k=2))

Test Items	Uncertainty	Remark
Radiated Emission (9kHz ~ 30MHz)	4.2 dB	Confidence levels of 95%
Radiated Emission (30MHz ~ 1,000MHz)	5.5 dB	Confidence levels of 95%





## 2 Test Configuration of EUT

The Worst Case Mode for Following Conformance Tests	
<b>Tests Item</b>	Emissions in Restricted Frequency Bands
<b>Test Condition</b>	Radiated measurement If EUT consist of multiple antenna assembly (multiple antenna are used in EUT regardless of spatial multiplexing MIMO configuration), the radiated test should be performed with highest antenna gain of each antenna type.
1.	After evaluating, the worst case was found at Z axis. So the measurement will follow this same test configuration.
2.	The EUT has two power supplies, one is PoE and the other is adapter. The PoE has been evaluated to be the worst case and recorded in the test report.
<b>Operating Mode</b>	Normal Link
1	EUT in Z axis + PoE

Note1: The console port is professional usage by manufacturer declaration, and it was performed the test at the load.

Note2: The USB port was performed the test at the load by manufacturer requirement.

Note3: The PoE is for measurement only, would not be marketed.

PoE information as below:

Power	Brand	Model
PoE	GME	GME40B-480135FDA

### 2.1 EUT Operation during Test

During the test, the EUT operation to normal function.

### 2.2 Accessories

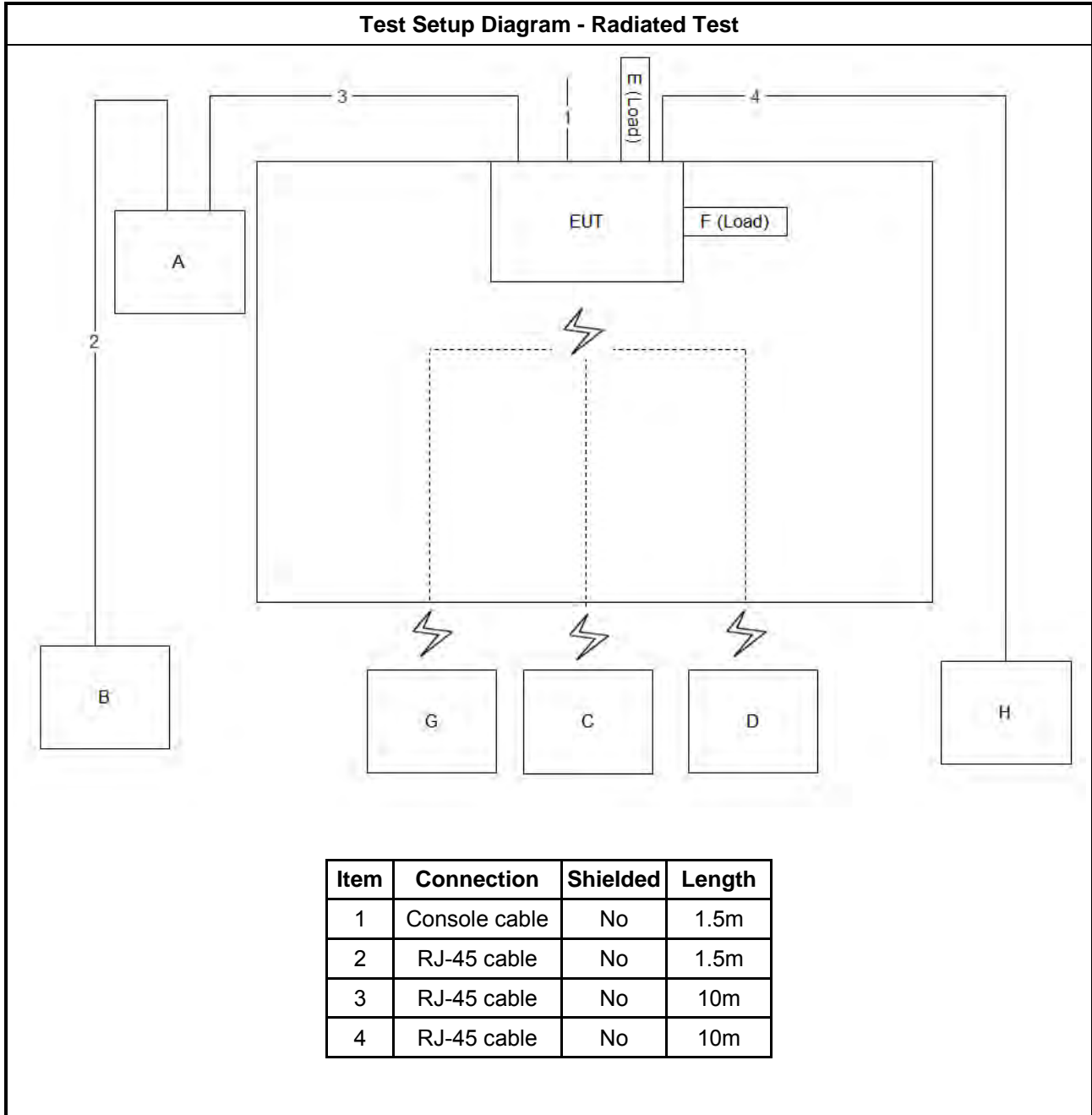
Accessories			
Equipment Name	Brand Name	Model Name	Rating
Adapter	APD	WB-24J12R	Input: 100-240V~50-60Hz 0.7A Max. Output: 12.0V, 2.0A, 24.0W
Others			
Plug*1			
Console cable*1: Non-shielded, 1.5m			
Wall bracket*1			



### 2.3 Support Equipment

Support Equipment				
No.	Equipment	Brand Name	Model Name	FCC ID
A	PoE	GME	GME40B-480135FDA	N/A
B	Notebook	DELL	E4300	N/A
C	Notebook	DELL	E4300	N/A
D	Notebook	DELL	E4300	N/A
E	Flash disk3.0	Silicon Power	B06	N/A
F	Flash disk3.0	Silicon Power	B06	N/A
G	Phone	SAMSUNG	Galaxy J2	N/A
H	Notebook	DELL	E4300	N/A

## 2.4 Test Setup Diagram





### 3 Transmitter Test Result

#### 3.1 Emissions in Restricted Frequency Bands

##### 3.1.1 Emissions in Restricted Frequency Bands Limit

Restricted Band Emissions Limit			
Frequency Range (MHz)	Field Strength (uV/m)	Field Strength (dBuV/m)	Measure Distance (m)
0.009~0.490	2400/F(kHz)	48.5 - 13.8	300
0.490~1.705	24000/F(kHz)	33.8 - 23	30
1.705~30.0	30	29	30
30~88	100	40	3
88~216	150	43.5	3
216~960	200	46	3
Above 960	500	54	3

Note 1: Test distance for frequencies at or above 30 MHz, measurements may be performed at a distance other than the limit distance provided they are not performed in the near field and the emissions to be measured can be detected by the measurement equipment. When performing measurements at a distance other than that specified, the results shall be extrapolated to the specified distance using an extrapolation factor of 20 dB/decade (inverse of linear distance for field-strength measurements, inverse of linear distance-squared for power-density measurements).

Note 2: Test distance for frequencies at below 30 MHz, measurements may be performed at a distance closer than the EUT limit distance; however, an attempt should be made to avoid making measurements in the near field. When performing measurements below 30 MHz at a closer distance than the limit distance, the results shall be extrapolated to the specified distance by either making measurements at a minimum of two or more distances on at least one radial to determine the proper extrapolation factor or by using the square of an inverse linear distance extrapolation factor (40 dB / decade). The test report shall specify the extrapolation method used to determine compliance of the EUT.

Note 3: Using the distance of 1m during the test for above 18 GHz, and the test value to correct for the distance factor at 3m.

##### 3.1.2 Measuring Instruments

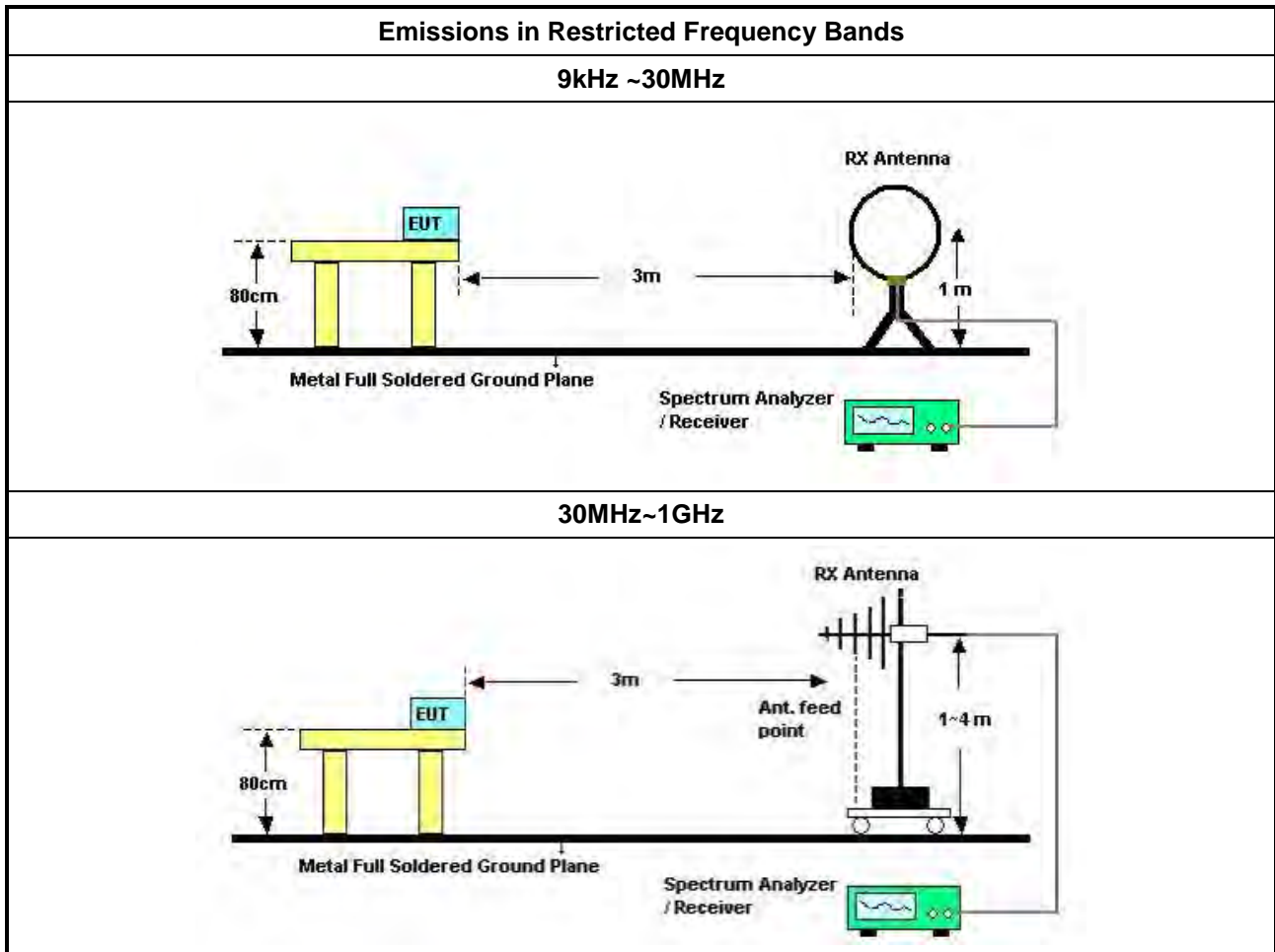
Refer a test equipment and calibration data table in this test report.



**3.1.3 Test Procedures**

<b>Test Method</b>	
<ul style="list-style-type: none"> <li>▪ The average emission levels shall be measured in [duty cycle <math>\geq</math> 98 or duty factor].</li> </ul>	
<ul style="list-style-type: none"> <li>▪ Refer as ANSI C63.10, clause 6.10.3 band-edge testing shall be performed at the lowest frequency channel and highest frequency channel within the allowed operating band.</li> </ul>	
<ul style="list-style-type: none"> <li>▪ For the transmitter unwanted emissions shall be measured using following options below:</li> </ul>	
	<ul style="list-style-type: none"> <li>▪ Refer as FCC KDB 558074, clause 8.6 for unwanted emissions into restricted bands.</li> </ul>
	<input type="checkbox"/> Refer as FCC KDB 558074, clause 8.6 & C63.10 clause 11.12.2.5.1(trace averaging for duty cycle $\geq$ 98%).
	<input type="checkbox"/> Refer as FCC KDB 558074, clause 8.6 & C63.10 clause 11.12.2.5.2(trace averaging + duty factor).
	<input checked="" type="checkbox"/> Refer as FCC KDB 558074, clause 8.6 & C63.10 clause 11.12.2.5.3(Reduced VBW $\geq$ 1/T).
	<input type="checkbox"/> Refer as ANSI C63.10, clause 11.12.2.5.3 (Reduced VBW). VBW $\geq$ 1/T, where T is pulse time.
	<input type="checkbox"/> Refer as ANSI C63.10, clause 7.5 average value of pulsed emissions.
	<input checked="" type="checkbox"/> Refer as FCC KDB 558074, clause 8.6 & C63.10 clause 11.12.2.4 measurement procedure peak limit.
<ul style="list-style-type: none"> <li>▪ For the transmitter band-edge emissions shall be measured using following options below:</li> </ul>	
	<ul style="list-style-type: none"> <li>▪ Refer as FCC KDB 558074 clause 8.7 &amp; c63.10 clause 11.13.1, When the performing peak or average radiated measurements, emissions within 2 MHz of the authorized band edge may be measured using the marker-delta method described below.</li> </ul>
	<ul style="list-style-type: none"> <li>▪ Refer as FCC KDB 558074, clause 8.7 (ANSI C63.10, clause 6.10.6) for marker-delta method for band-edge measurements.</li> </ul>
	<ul style="list-style-type: none"> <li>▪ Refer as FCC KDB 558074, clause 8.7 for narrower resolution bandwidth (100kHz) using the band power and summing the spectral levels (i.e., 1 MHz).</li> </ul>
	<ul style="list-style-type: none"> <li>▪ For conducted unwanted emissions into restricted bands (absolute emission limits). Devices with multiple transmit chains using options given below:                (1) Measure and sum the spectra across the outputs or                (2) Measure and add 10 log(N) dB             </li> </ul>
	<ul style="list-style-type: none"> <li>▪ For FCC KDB 662911 The methodology described here may overestimate array gain, thereby resulting in apparent failures to satisfy the out-of-band limits even if the device is actually compliant. In such cases, compliance may be demonstrated by performing radiated tests around the frequencies at which the apparent failures occurred.</li> </ul>

### 3.1.4 Test Setup



### 3.1.5 Measurement Results Calculation

The measured Level is calculated using:

Corrected Reading: Antenna factor (AF) + Cable loss (CL) + Read level (Raw) - Preamp factor (PA)(if applicable) = Level.

### 3.1.6 Emissions in Restricted Frequency Bands (Below 30MHz)

There is a comparison data of both open-field test site and alternative test site - semi-Anechoic chamber according to KDB414788 Radiated Test Site, and the result came out very similar.

All amplitude of spurious emissions that are attenuated by more than 20 dB below the permissible value has no need to be reported.

The radiated emissions were investigated from 9 kHz or the lowest frequency generated within the device, up to the 10th harmonic or 40 GHz, whichever is appropriate.

### 3.1.7 Test Result of Emissions in Restricted Frequency Bands

Refer as Appendix A



## 4 Test Equipment and Calibration Data

Instrument	Brand	Model No.	Serial No.	Characteristics	Calibration Date	Calibration Due Date	Remark
Loop Antenna	Teseq	HLA 6120	24155	9kHz - 30 MHz	Apr. 14, 2021	Apr. 13, 2022	Radiation (03CH03-CB)
3m Semi Anechoic Chamber NSA	TDK	SAC-3M	03CH03-CB	30 MHz ~ 1 GHz	Jan. 27, 2021	Jan. 26, 2022	Radiation (03CH03-CB)
Bilog Antenna with 6 dB attenuator	Schaffner & EMCI	CBL6112B & N-6-06	2928 & AT-N0608	20MHz ~ 2GHz	Feb. 22, 2021	Feb. 21, 2022	Radiation (03CH03-CB)
Pre-Amplifier	Agilent	8447D	2944A10259	9kHz ~ 1.3GHz	Jan. 11, 2021	Jan. 10, 2022	Radiation (03CH03-CB)
Spectrum Analyzer	R&S	FSP40	100019	9kHz ~ 40GHz	Jun. 04, 2021	Jun. 03, 2022	Radiation (03CH03-CB)
EMI Test Receiver	R&S	ESCS	826547/017	9kHz ~ 2.75GHz	Jun. 21, 2021	Jun. 20, 2022	Radiation (03CH03-CB)
RF Cable-low	Woken	RG402	Low Cable-02+29	30MHz ~ 1GHz	Aug. 20, 2021	Aug. 19, 2022	Radiation (03CH03-CB)
Test Software	SPORTON	SENSE	V5.10	-	N.C.R.	N.C.R.	Radiation (03CH03-CB)

Note: Calibration Interval of instruments listed above is one year.

N.C.R. means Non-Calibration required.

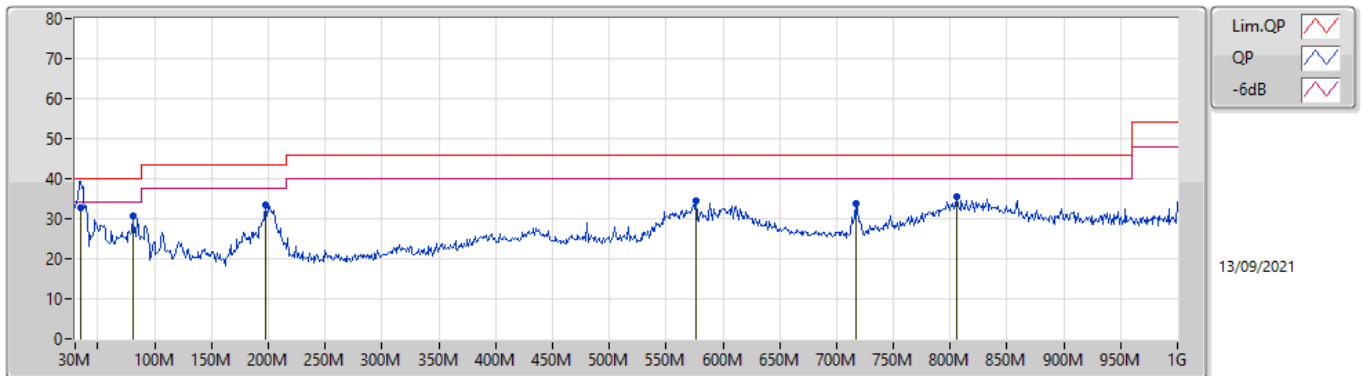


**Summary**

Mode	Result	Type	Freq (Hz)	Level (dBuV/m)	Limit (dBuV/m)	Margin (dB)	Condition
Mode 1	Pass	QP	34.85M	32.61	40.00	-7.39	Vertical

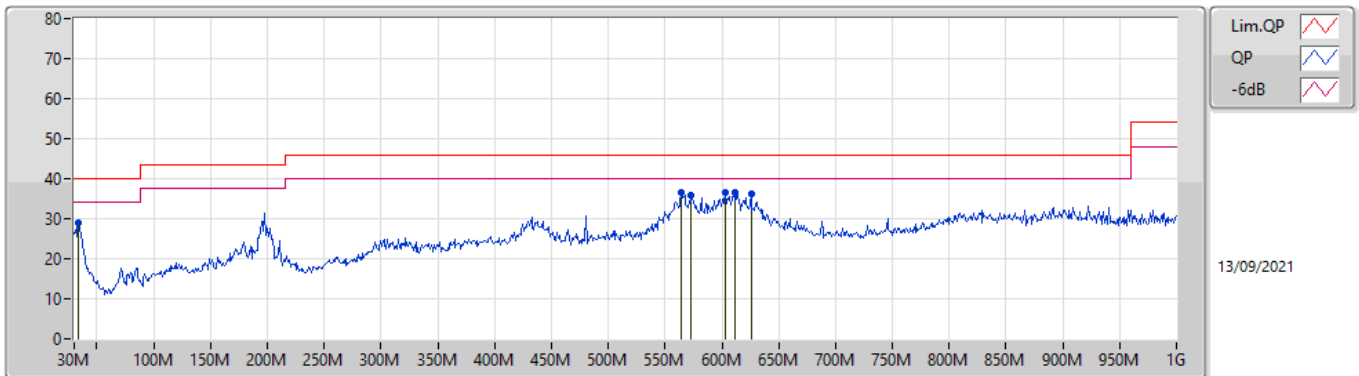


## Mode 1



Type	Freq (Hz)	Level (dBuV/m)	Limit (dBuV/m)	Margin (dB)	Factor (dB/m)	Dist (m)	Condition	Azimuth (°)	Height (m)	Comment	Raw (dBuV/m)	AF (dB/m)	CL (dB)	PA (dB)
QP	34.85M	32.61	40.00	-7.39	-6.20	3	Vertical	28	1.00	"Worst"	38.81	21.57	0.71	28.48
PK	80.44M	30.66	40.00	-9.34	-14.51	3	Vertical	181	1.25	-	45.17	12.94	1.03	28.48
PK	197.81M	33.45	43.50	-10.05	-11.38	3	Vertical	352	1.25	-	44.83	14.92	1.70	28.00
PK	576.11M	34.44	46.00	-11.56	-2.28	3	Vertical	143	1.00	-	36.72	24.11	2.96	29.35
PK	716.76M	33.83	46.00	-12.17	-1.60	3	Vertical	319	1.50	-	35.43	24.38	3.29	29.27
PK	806M	35.51	46.00	-10.49	-0.41	3	Vertical	292	1.00	-	35.92	25.17	3.46	29.04

Mode 1



Type	Freq (Hz)	Level (dBuV/m)	Limit (dBuV/m)	Margin (dB)	Factor (dB/m)	Dist (m)	Condition	Azimuth (°)	Height (m)	Comment	Raw (dBuV/m)	AF (dB/m)	CL (dB)	PA (dB)
PK	33.88M	29.13	40.00	-10.87	-5.76	3	Horizontal	59	2.00	-	34.89	22.03	0.69	28.48
PK	564.47M	36.67	46.00	-9.33	-2.43	3	Horizontal	287	1.00	"Worst"	39.10	24.01	2.92	29.36
PK	573.2M	35.72	46.00	-10.28	-2.26	3	Horizontal	278	1.00	-	37.98	24.14	2.95	29.35
PK	603.27M	36.54	46.00	-9.46	-2.25	3	Horizontal	51	2.00	-	38.79	24.01	3.06	29.32
PK	612M	36.45	46.00	-9.55	-2.04	3	Horizontal	62	2.00	-	38.49	24.21	3.08	29.33
PK	625.58M	36.17	46.00	-9.83	-1.86	3	Horizontal	292	2.00	-	38.03	24.37	3.11	29.34