

# Product Similarity Declaration

Product name: Embedded Wireless Charger

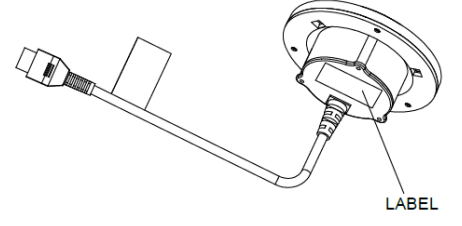
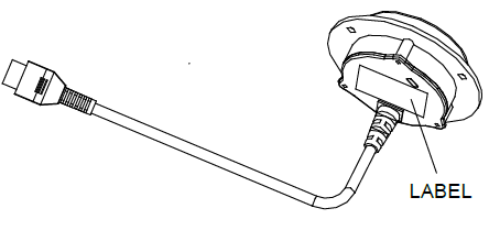
Model name: WCP XXXX 01, WCP XXXX 01-YY, WCP XXXX 02, WCP XXXX 02-YY

(Where XXXX represents casing surface finish, X may be A-Z or blank. Where YY represents the lengthen of power input cord (less than 2m) and type of power input connector, Y may be 0-9 or blank.)

FCC ID: YZHWCPBA01

We (Raffel Systems, LLC) hereby state that all the models are electrical identical including the same software parameter and hardware design (i.e., circuit design, RF module/circuit, antenna type(s) and antenna location, components on PCB, etc.), the only differences are model number, appearance design, casing surface finish, indicator light, the lengthen of power input cord (less than 2m) and type of power input connector due to trading purpose. (if any difference).

Demonstrate the detail (descriptions and pictures) as to the difference list above.

Model Number:	WCP XXX 01, WCP XXX 01-YY	WCP XXX 02, WCP XXX 02-YY
Appearance Design:		
The lengthen of power input cord	0.3m	0.2m

Signature:



Name: Edward A Nowak

Title: Electrical Engineer

Place, date

Raffel Systems, LLC / 2024-05-06