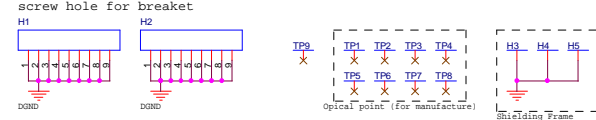
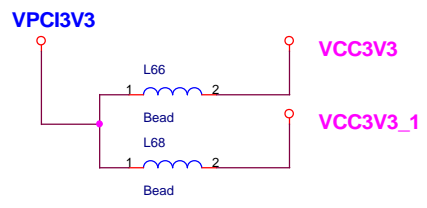
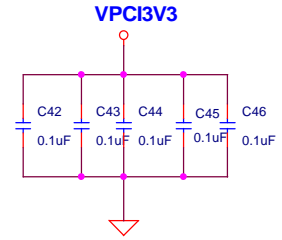
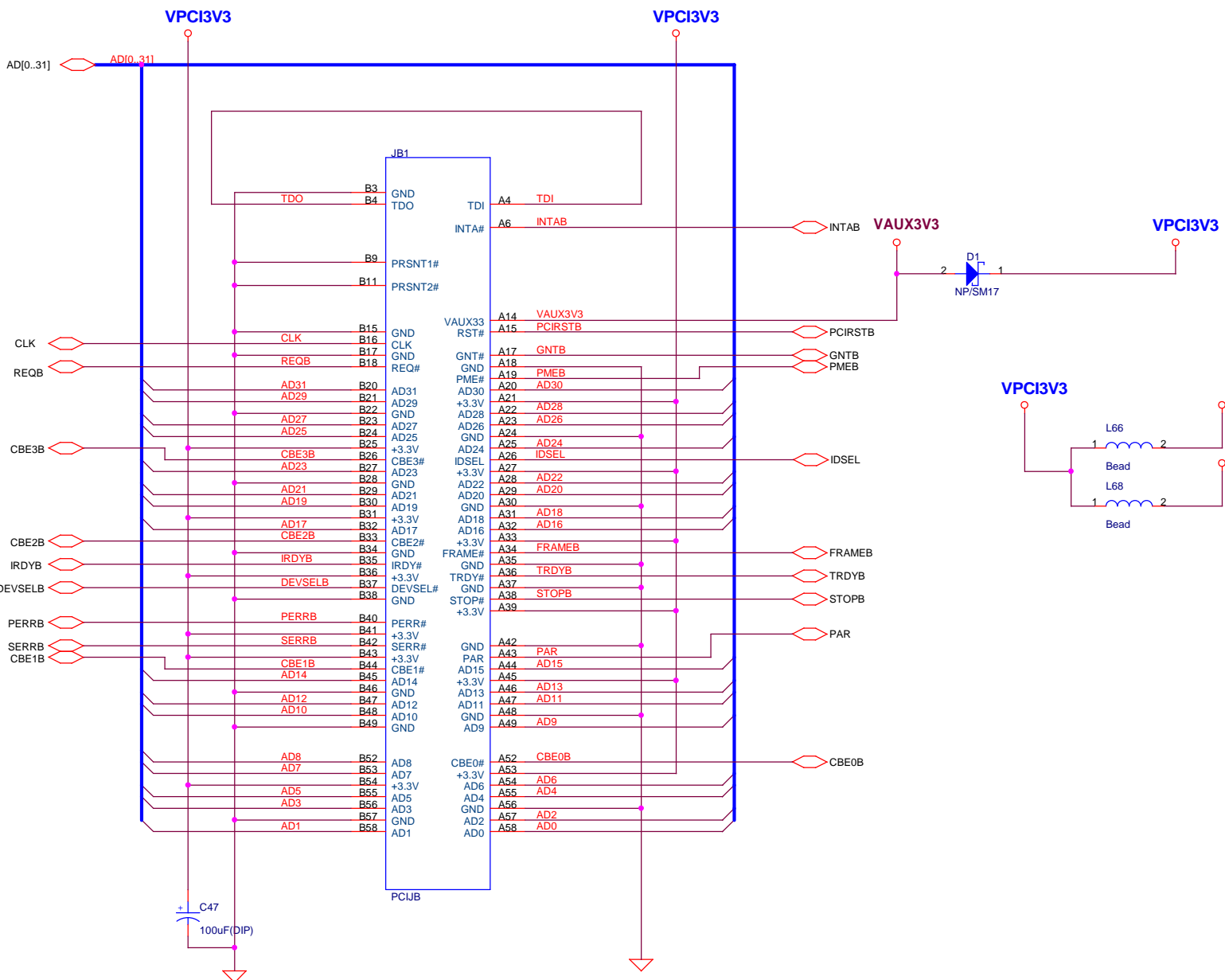
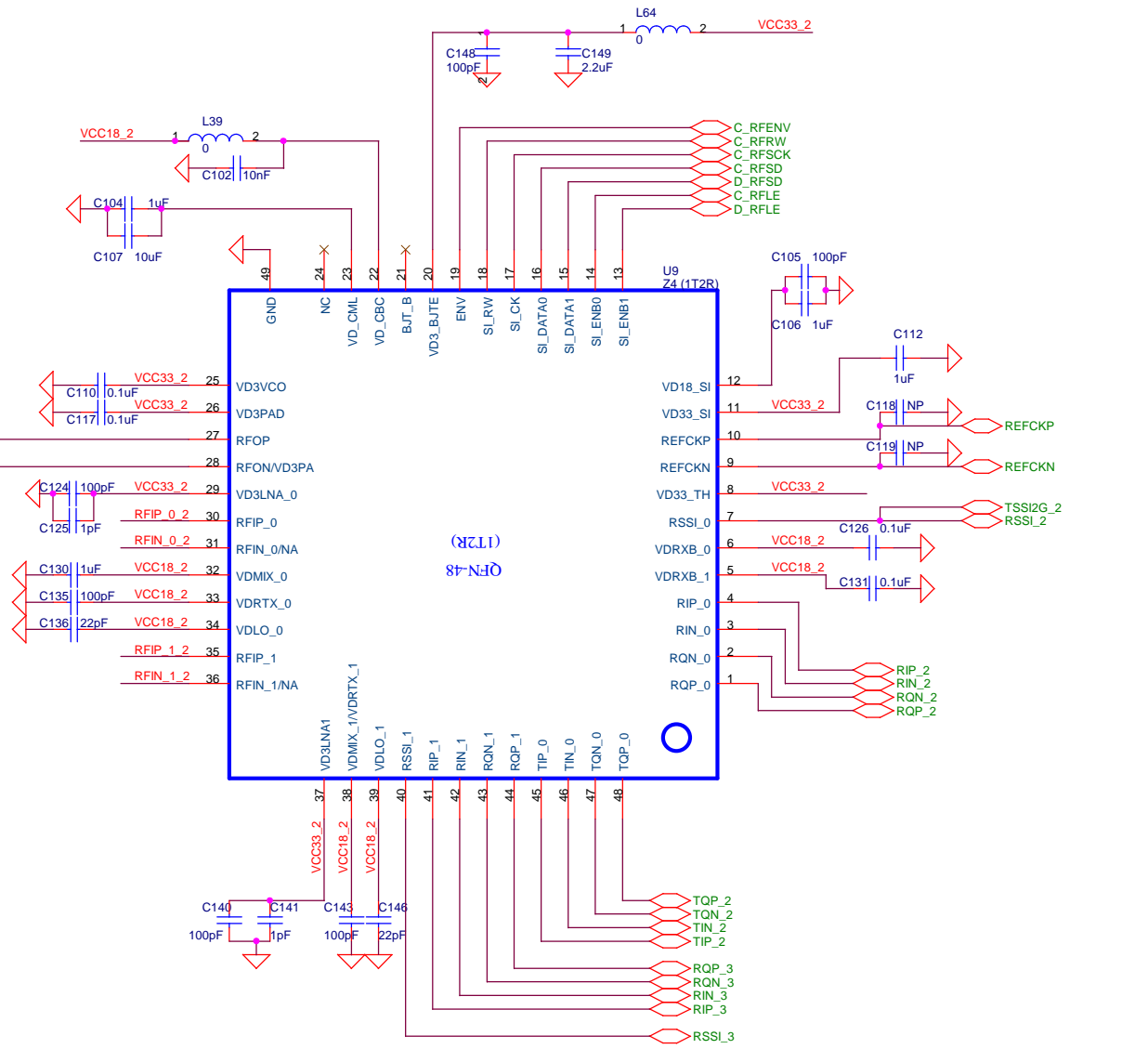
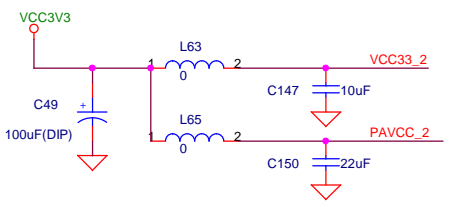
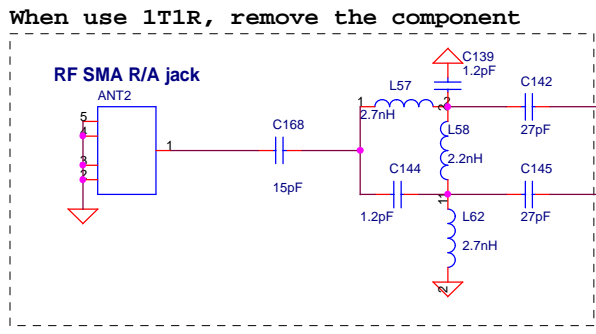
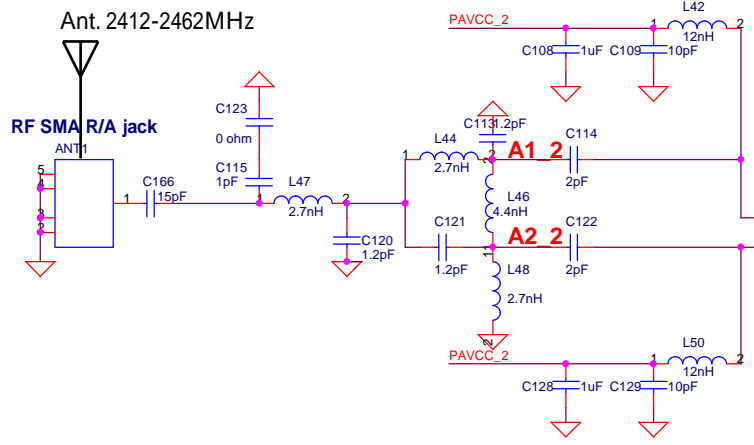
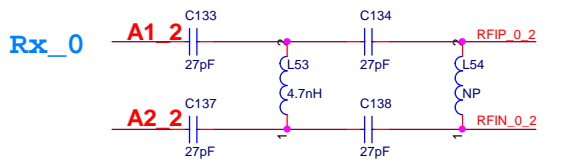


RTL8190 LED0: Activity (LED1)
 RTL8190 LED1: Link (LED2)
 (the behavior control by sw setting)





		Encore Electronics Inc.	
Title	PCI	Model	ENDB-PRL8190
Size	Document Number Schematic of ENDB-PRL8190	Drawn By	Rev 0B
Date:	Monday, September 13, 2010	Sheet	4 of 5



ENCORE ELECTRONICS		Encore Electronics Inc.	
Title	RF_RTL8256	Model	ENDB-PRL8190
Size	Document Number	Drawn By	Rev
B	Schematic of ENDB-PRL8190		0B
Date:	Monday, September 13, 2010	Sheet	5 of 5