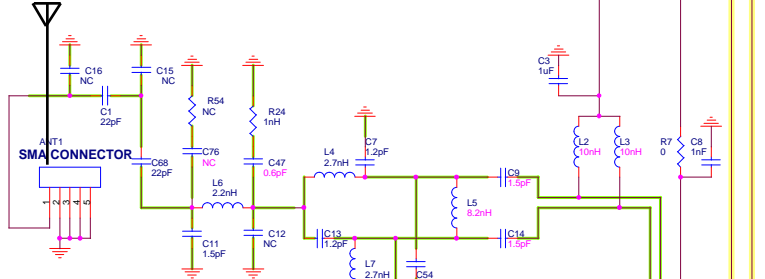
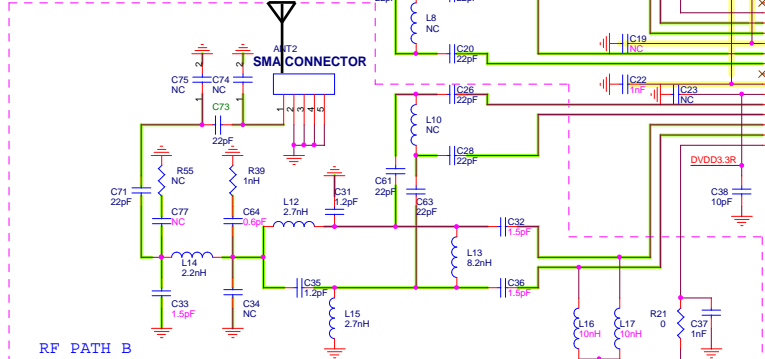


RF 50 ohms trace

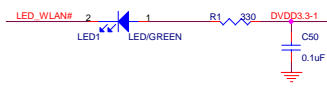
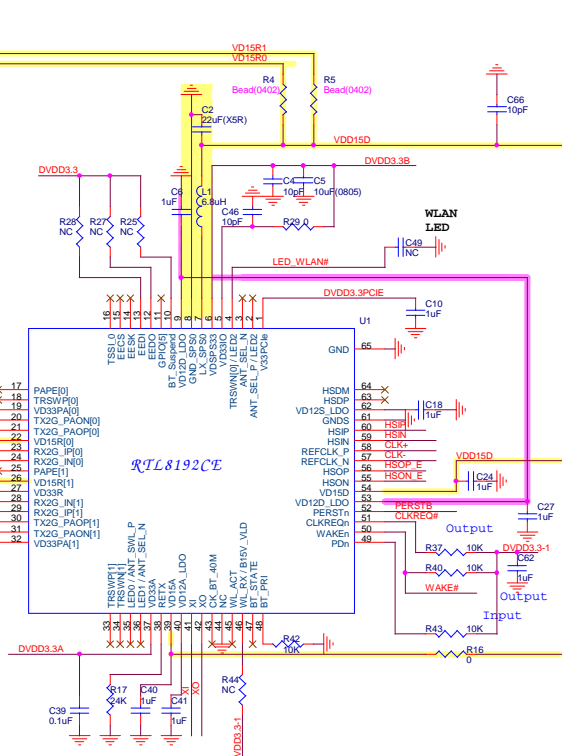
Ant1. 2412-2462MHz



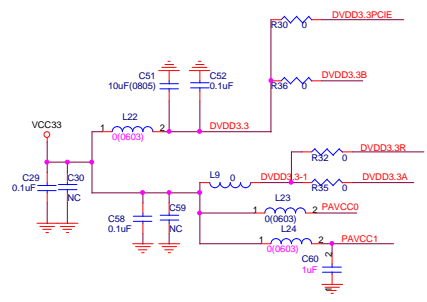
Ant2. 2412-2462MHz



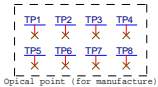
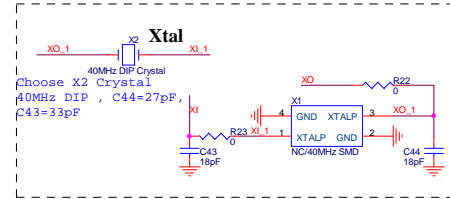
These components inside of pink color line region are removed for 1T1R option



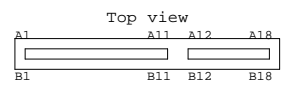
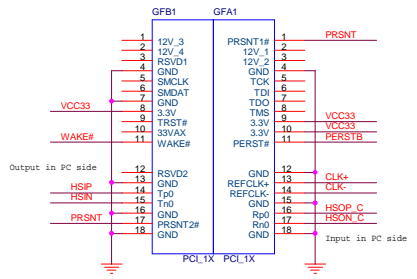
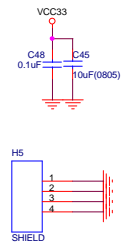
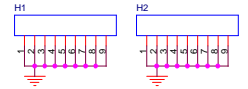
1.5V Trace  
1.2V Trace



C25, C21 close to RTL8192CE  
HSOP\_E | 0.1uF | HSOP\_C  
HSOP\_E | 0.1uF | HSOP\_C



screw hole for breakout



Encore Electronics Inc.			
Title	BLOCK DIAGRAM	Model	ENDB-ERL8192CE
Size	C	Document Number	Schematic of ENDB-ERL8192CE
Date	Sunday, September 12, 2010	Drawn By	Rev 0B
		Sheet	3 of 3