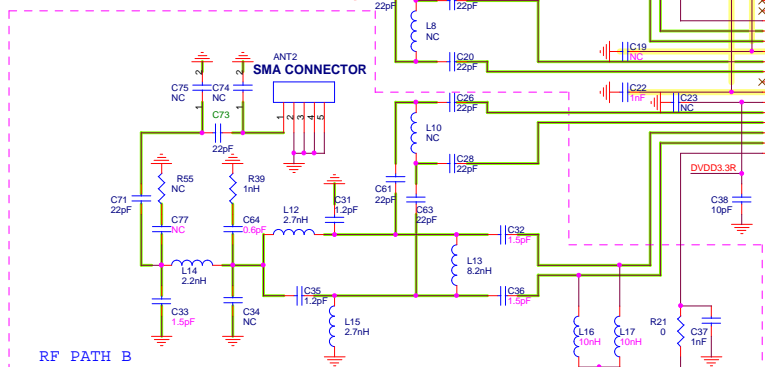
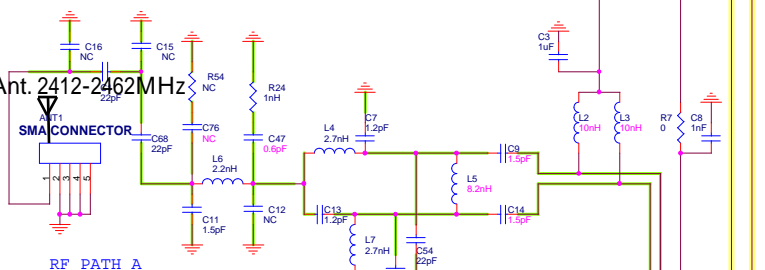
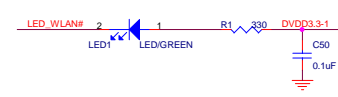
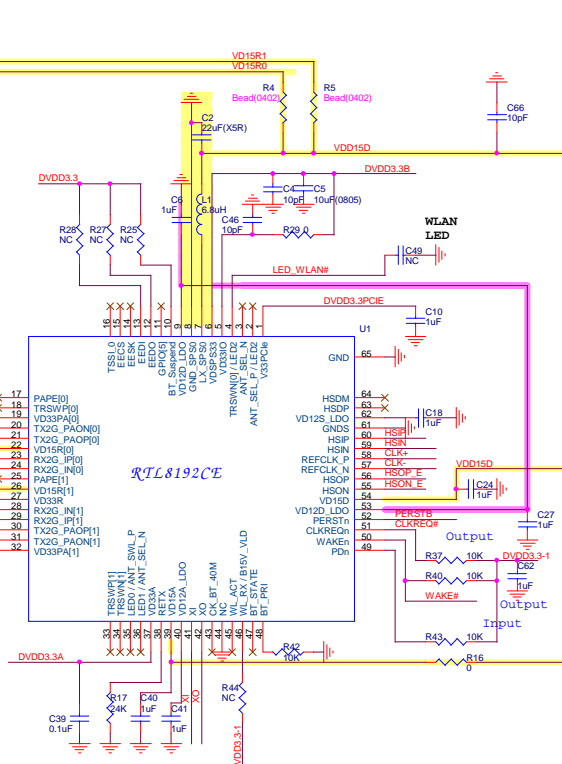


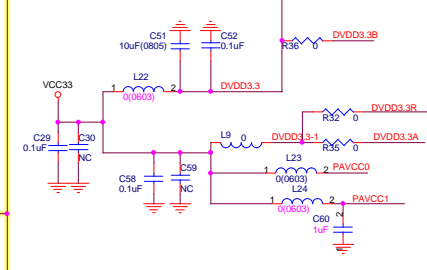
RF 50 ohms trace



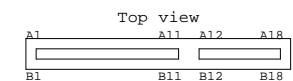
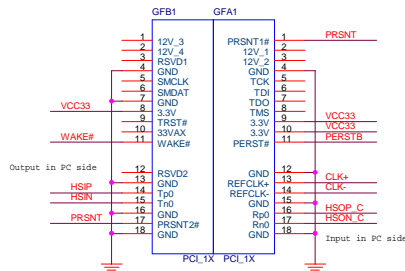
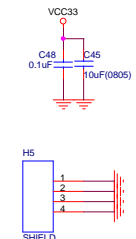
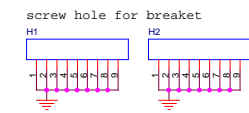
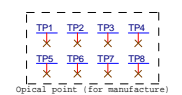
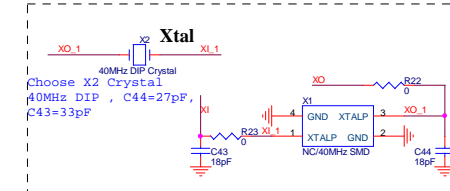
These components inside of pink color line region are removed for 1T1R option



1.5V Trace  
1.2V Trace



C25, C21 close to RTL8192CE  
HSOP E | 0.1uF | HSOP C  
HSOP E | 0.1uF | HSOP C



<b>ENCORE</b> ELECTRONICS		Encore Electronics Inc.	
Title	BLOCK DIAGRAM	Model	ENDB-ERL8192CE
Size	C	Document Number	Schematic of ENDB-ERL8192CE
Date	Sunday, September 12, 2010	Drawn By	Rev 0B
Sheet	3	of	3