

11n Wireless PCI Card

MODEL NAME: ENDB-PRL8190


TITLE	PAGE
COVER SHEET	1
BLOCK DIAGRAM	2
BB/MAC_RTL8190	3
PCI	4
RF_RTL8256	5

SCHEMATIC MODIFIED HISTORY

ROA => INITIATIVE
ROA => change the verison only

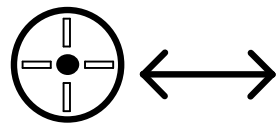
HISTORY DATE

ROA			

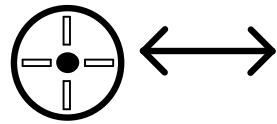


Encore Electronics Inc.

Title	COVER SHEET	Model	ENDB-PRL8190
Size	B	Document Number	Schematic of ENDB-PRL8190
		Drawn By	
		Rev	0B
Date:	Monday, September 13, 2010		Sheet 1 of 5

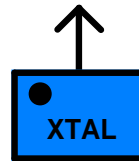
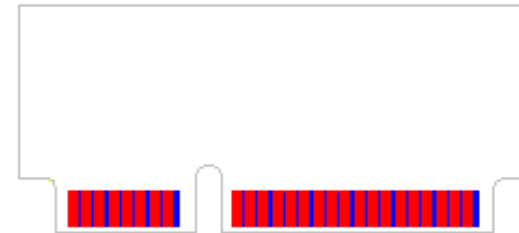
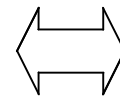
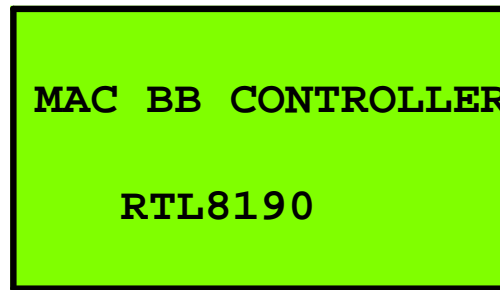
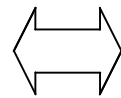
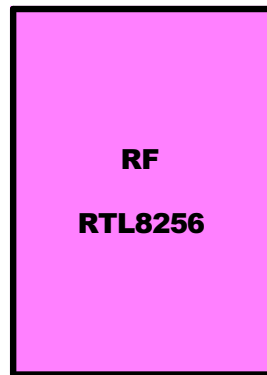


ANT1

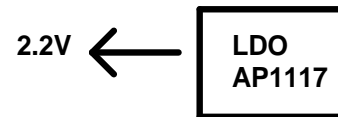
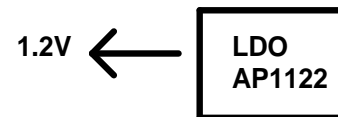


ANT2

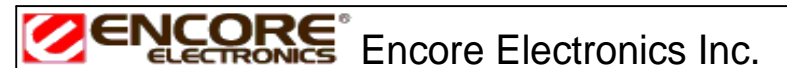
(RX, option)



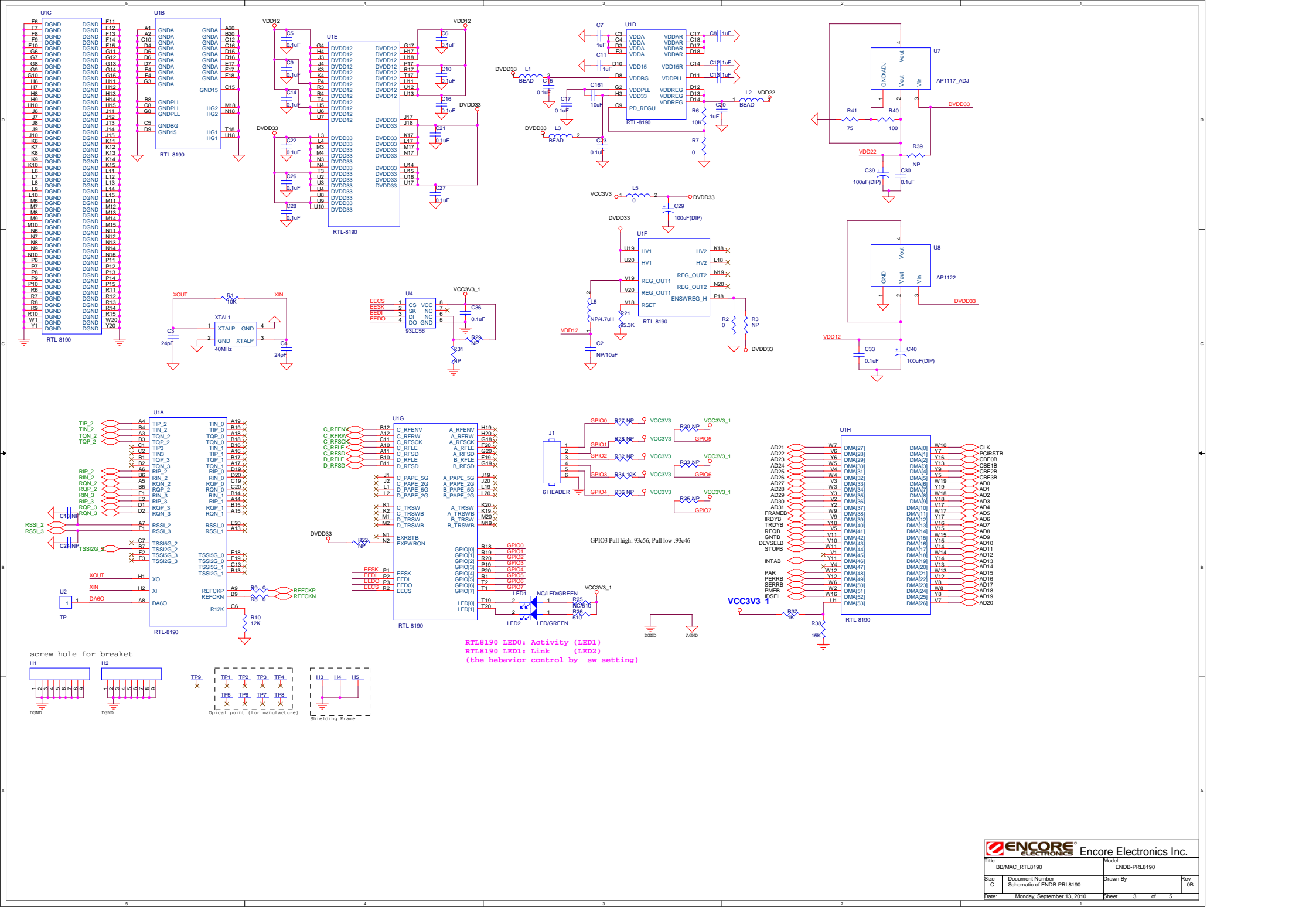
40MHz

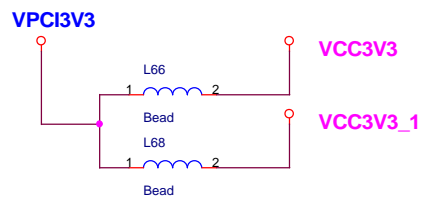
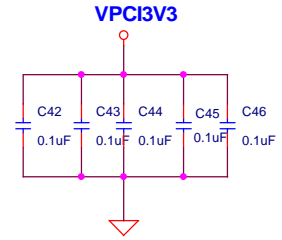
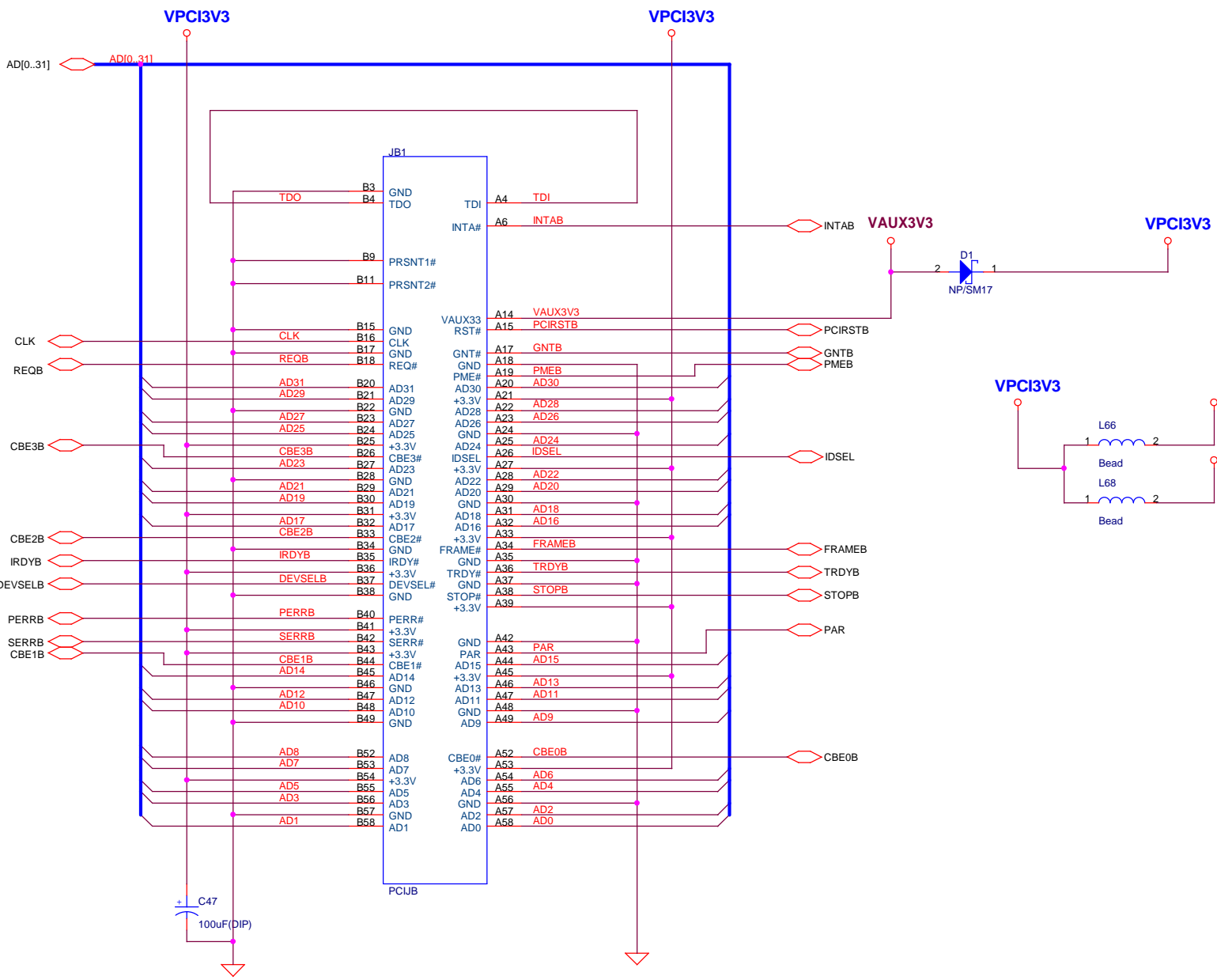


3.3V



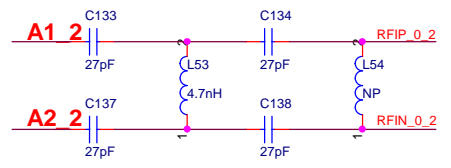
Title BLOCK DIAGRAM		Model ENDB-PRL8190	
Size A	Document Number Schematic of ENDB-PRL8190	Drawn By	Rev 0B
Date: Monday, September 13, 2010		Sheet 2 of 5	



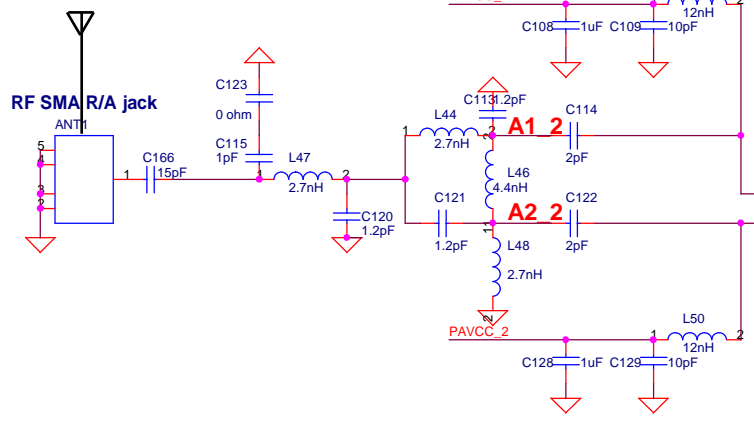


Encore Electronics Inc.	
Title PCI	Model ENDB-PRL8190
Size B	Document Number Schematic of ENDB-PRL8190
Date: Monday, September 13, 2010	Drawn By Rev 0B
Sheet 4	of 5

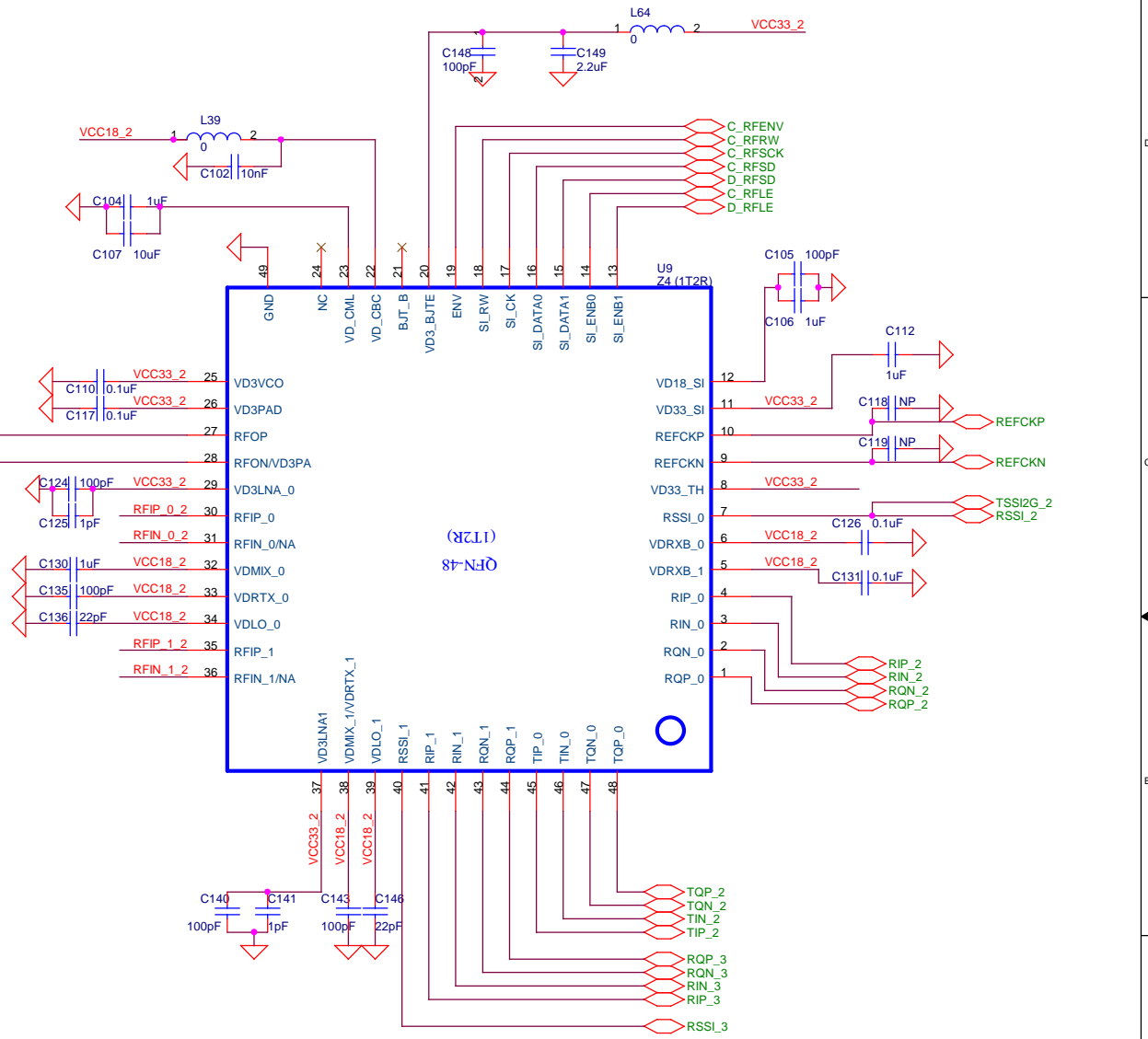
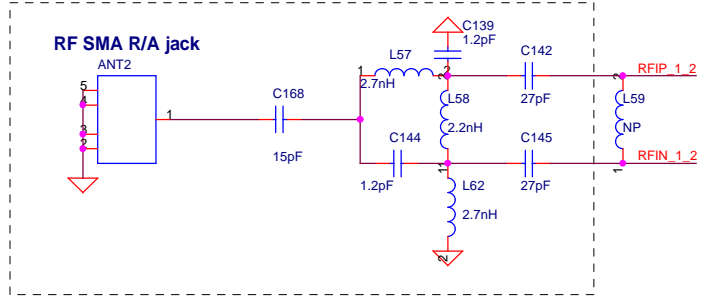
Rx_0



Ant. 2412~2462MHz



When use 1T1R, remove the component



ENCORE ELECTRONICS		Encore Electronics Inc.	
Title	RF_RTL8256	Model	ENDB-PRL8190
Size	Document Number	Drawn By	Rev
B	Schematic of ENDB-PRL8190		0B
Date:	Monday, September 13, 2010	Sheet	5 of 5