

RF Exposure report



The following samples were submitted and identified on behalf of the client as:

Product Name	NAUTIZ X81
Brand Name	Handheld
Model No.	NX81-RF2-A00
Applicant	Handheld Group AB Strandgatan 40, 531 60 Lidköping Sweden
Standards	IEEE/ANSI C95.1-1992, IEEE 1528-2013
FCC ID	YY32022RG520NNA
Date of EUT Receipt	Mar. 16, 2023
Date of Test(s)	Apr. 18, 2023 ~ May. 12, 2023
Date of Issue	Jul. 21, 2023

In the configuration tested, the EUT complied with the standards specified above.

Remarks:

This report details the results of the testing carried out on one sample, the results contained in this test report do not relate to other samples of the same product. The manufacturer should ensure that all products in series production are in conformity with the product sample detailed in this report.

This report may only be reproduced and distributed in full. If the product in this report is used in any configuration other than that detailed in the report, the manufacturer must ensure the new system complies with all relevant standards. Any mention of SGS Taiwan Ltd. Central RF Lab or testing done by SGS Taiwan Ltd. Central RF Lab in connection with distribution or use of the product described in this report must be approved by SGS Taiwan Ltd. Central RF Lab in writing.

Signed on behalf of SGS

Clerk / Cindy Chou	PM / Kiki Lin	Approved By / John Yeh

Date: Jul. 21, 2023

Unless otherwise stated the results shown in this test report refer only to the sample(s) tested and such sample(s) are retained for 90 days only.

除非另有說明，此報告結果僅對測試之樣品負責，同時此樣品僅保留90天。本報告未經本公司書面許可，不可部份複製。

This document is issued by the Company subject to its General Conditions of Service printed overleaf, available on request or accessible at <http://www.sgs.com.tw/Terms-and-Conditions> and for electronic format documents, subject to Terms and Conditions for Electronic Documents at <http://www.sgs.com.tw/Terms-and-Conditions>. Attention is drawn to the limitation of liability, indemnification and jurisdiction issues defined therein. Any holder of this document is advised that information contained hereon reflects the Company's findings at the time of its intervention only and within the limits of Client's instructions, if any. The Company's sole responsibility is to its Client and this document does not exonerate parties to a transaction from exercising all their rights and obligations under the transaction documents. This document cannot be reproduced except in full, without prior written approval of the Company. Any unauthorized alteration, forgery or falsification of the content or appearance of this document is unlawful and offenders may be prosecuted to the fullest extent of the law.

Revision History

Report Number	Revision	Description	Issue Date	Revised By	Remark
TESA2303000153EN	00	Initial creation of document	May. 22, 2023	Cindy Chou	*
TESA2303000153EN	01	Update WWAN ID	May. 29, 2023	Cindy Chou	*
TESA2303000153EN	02	Modify comment	Jun. 05, 2023	Cindy Chou	*
TESA2303000153EN	03	Update max SAR	Jul. 17, 2023	Cindy Chou	*
TESA2303000153EN	04	Chapter 1.3 adds body title	Jul. 21, 2023	Cindy Chou	

Note:

1. The mark " * " is the revised version of the report due to comments submitted by the certification.
2. Measurement results in the original test report TESA2303000156EN are partially leveraged in this test report.
3. Added spotcheck SAR test to this report.
4. Measurement results in the NFC test report TERF2303000620E2 are fully leveraged in this test report.

Unless otherwise stated the results shown in this test report refer only to the sample(s) tested and such sample(s) are retained for 90 days only.

除非另有說明，此報告結果僅對測試之樣品負責，同時此樣品僅保留90天。本報告未經本公司書面許可，不可部份複製。

This document is issued by the Company subject to its General Conditions of Service printed overleaf, available on request or accessible at <http://www.sgs.com.tw/Terms-and-Conditions> and for electronic format documents, subject to Terms and Conditions for Electronic Documents at <http://www.sgs.com.tw/Terms-and-Conditions>. Attention is drawn to the limitation of liability, indemnification and jurisdiction issues defined therein. Any holder of this document is advised that information contained hereon reflects the Company's findings at the time of its intervention only and within the limits of Client's instructions, if any. The Company's sole responsibility is to its Client and this document does not exonerate parties to a transaction from exercising all their rights and obligations under the transaction documents. This document cannot be reproduced except in full, without prior written approval of the Company. Any unauthorized alteration, forgery or falsification of the content or appearance of this document is unlawful and offenders may be prosecuted to the fullest extent of the law.

Contents

1	GENERAL INFORMATION	5
	1.1 Test Methodology	5
	1.2 Description of EUT.....	6
	1.3 Maximum value	8
2	MEASUREMENT SYSTEM	9
	2.1 Test Facility	9
	2.2 SAR System	10
3	SAR SYSTEM VERIFICATION	13
	3.1 Tissue Simulating Liquid.....	13
	3.2 Tissue Simulant Liquid measurement	13
	3.3 Measurement results of Tissue Simulant Liquid.....	13
	3.4 The composition of the tissue simulating liquid:.....	17
	3.5 System check	17
	3.6 System check results	18
4	TEST CONFIGURATIONS	19
	4.1 Test Environment.....	19
	4.2 Test Note.....	19
	4.3 Test position.....	24
	4.4 Test limit	25
5	MAXIMUM OUTPUT POWER	28
	5.1 FDD LTE.....	28
	5.2 LTE DL CA	80
	5.3 LTE DL MIMO.....	84
	5.4 LTE Intra-Band UL CA.....	85
	5.5 LTE Inter-Band UL CA.....	88
	5.6 TDD NR	143
	5.7 WLAN	164
	5.8 Bluetooth	165
	5.9 BLE.....	165
6	DUTY CYCLE	166
7	SUMMARY OF RESULTS	168
	7.1 Decision rules	168
	7.2 Summary of SAR Results.....	168
	7.3 Reporting statements of conformity	181
	7.4 Conclusion	181
8	SIMULTANEOUS TRANSMISSION ANALYSIS	182
	8.1 Simultaneous Transmission Scenarios:	182
	8.2 Estimated SAR calculation	183
	8.3 SPLSR evaluation and analysis.....	183
	8.4 Conclusion	199
9	INSTRUMENTS LIST	200
10	UNCERTAINTY BUDGET	202
11	SAR MEASUREMENT RESULTS	204
12	SAR SYSTEM CHECK RESULTS	261

Unless otherwise stated the results shown in this test report refer only to the sample(s) tested and such sample(s) are retained for 90 days only.

除非另有說明，此報告結果僅對測試之樣品負責，同時此樣品僅保留90天。本報告未經本公司書面許可，不可部份複製。

This document is issued by the Company subject to its General Conditions of Service printed overleaf, available on request or accessible at <http://www.sgs.com.tw/Terms-and-Conditions> and for electronic format documents, subject to Terms and Conditions for Electronic Documents at <http://www.sgs.com.tw/Terms-and-Conditions>. Attention is drawn to the limitation of liability, indemnification and jurisdiction issues defined therein. Any holder of this document is advised that information contained hereon reflects the Company's findings at the time of its intervention only and within the limits of Client's instructions, if any. The Company's sole responsibility is to its Client and this document does not exonerate parties to a transaction from exercising all their rights and obligations under the transaction documents. This document cannot be reproduced except in full, without prior written approval of the Company. Any unauthorized alteration, forgery or falsification of the content or appearance of this document is unlawful and offenders may be prosecuted to the fullest extent of the law.

13	APPENDIXES	287
13.1	SAR_Appendix A Photographs	287
13.2	SAR_Appendix B DAE & Probe Cal. Certificate	287
13.3	SAR_Appendix C Phantom Description & Dipole Cal. Certificate	287

Unless otherwise stated the results shown in this test report refer only to the sample(s) tested and such sample(s) are retained for 90 days only.

除非另有說明，此報告結果僅對測試之樣品負責，同時此樣品僅保留90天。本報告未經本公司書面許可，不可部份複製。

This document is issued by the Company subject to its General Conditions of Service printed overleaf, available on request or accessible at <http://www.sgs.com.tw/Terms-and-Conditions> and for electronic format documents, subject to Terms and Conditions for Electronic Documents at <http://www.sgs.com.tw/Terms-and-Conditions>. Attention is drawn to the limitation of liability, indemnification and jurisdiction issues defined therein. Any holder of this document is advised that information contained hereon reflects the Company's findings at the time of its intervention only and within the limits of Client's instructions, if any. The Company's sole responsibility is to its Client and this document does not exonerate parties to a transaction from exercising all their rights and obligations under the transaction documents. This document cannot be reproduced except in full, without prior written approval of the Company. Any unauthorized alteration, forgery or falsification of the content or appearance of this document is unlawful and offenders may be prosecuted to the fullest extent of the law.

1 GENERAL INFORMATION

1.1 Test Methodology

The SAR testing method and procedure for this device is in accordance with the following standards:

IEEE/ANSI C95.1-1992

IEEE 1528-2013

KDB447498D01v06

KDB865664D01v01r04

KDB865664D02v01r02

KDB941225D07v01r02

KDB941225D05v02r05

KDB941225D05Av01r02

KDB248227D01v02r01

Unless otherwise stated the results shown in this test report refer only to the sample(s) tested and such sample(s) are retained for 90 days only.

除非另有說明，此報告結果僅對測試之樣品負責，同時此樣品僅保留90天。本報告未經本公司書面許可，不可部份複製。

This document is issued by the Company subject to its General Conditions of Service printed overleaf, available on request or accessible at <http://www.sgs.com.tw/Terms-and-Conditions> and for electronic format documents, subject to Terms and Conditions for Electronic Documents at <http://www.sgs.com.tw/Terms-and-Conditions>. Attention is drawn to the limitation of liability, indemnification and jurisdiction issues defined therein. Any holder of this document is advised that information contained hereon reflects the Company's findings at the time of its intervention only and within the limits of Client's instructions, if any. The Company's sole responsibility is to its Client and this document does not exonerate parties to a transaction from exercising all their rights and obligations under the transaction documents. This document cannot be reproduced except in full, without prior written approval of the Company. Any unauthorized alteration, forgery or falsification of the content or appearance of this document is unlawful and offenders may be prosecuted to the fullest extent of the law.

SGS Taiwan Ltd.

No.134,Wu Kung Road, New Taipei Industrial Park, Wuku District, New Taipei City, Taiwan/新北市五股區新北產業園區五工路 134 號

台灣檢驗科技股份有限公司

t (886-2) 2299-3279

f (886-2) 2298-0488

www.sgs.com.tw

Member of SGS Group

1.2 Description of EUT

Product Name	NAUTIZ X81	
Brand Name	Handheld	
Model No.	NX81-RF2-A00	
FCC ID	YY32022RG520NNA	
Integrated WWAN Module	Brand Name: Quectel Model Name: RG520N-NA	
Duty Cycle	LTE FDD	1
	5G NR	1
	WLAN802.11	Please refer to section 6
	Bluetooth	Please refer to section 6
Supported radios (TX Frequency Range, MHz)	LTE FDD Band 2	1850-1910
	LTE FDD Band 4	1710-1755
	LTE FDD Band 5	824-849
	LTE FDD Band 7	2500-2570
	LTE FDD Band 12	699-716
	LTE FDD Band 13	777-787
	LTE FDD Band 14	788-798
	LTE FDD Band 17	704-716
	LTE FDD Band 25	1850-1915
	LTE FDD Band 26	814-849
	LTE FDD Band 30	2305-2315
	LTE FDD Band 66	1710-1780
	LTE FDD Band 71	663-698

Unless otherwise stated the results shown in this test report refer only to the sample(s) tested and such sample(s) are retained for 90 days only.

除非另有說明，此報告結果僅對測試之樣品負責，同時此樣品僅保留90天。本報告未經本公司書面許可，不可部份複製。

This document is issued by the Company subject to its General Conditions of Service printed overleaf, available on request or accessible at <http://www.sgs.com.tw/Terms-and-Conditions> and for electronic format documents, subject to Terms and Conditions for Electronic Documents at <http://www.sgs.com.tw/Terms-and-Conditions>. Attention is drawn to the limitation of liability, indemnification and jurisdiction issues defined therein. Any holder of this document is advised that information contained hereon reflects the Company's findings at the time of its intervention only and within the limits of Client's instructions, if any. The Company's sole responsibility is to its Client and this document does not exonerate parties to a transaction from exercising all their rights and obligations under the transaction documents. This document cannot be reproduced except in full, without prior written approval of the Company. Any unauthorized alteration, forgery or falsification of the content or appearance of this document is unlawful and offenders may be prosecuted to the fullest extent of the law.

Supported radios (TX Frequency Range, MHz)	n2	1850-1910
	n5	824-849
	n7	2500-2570
	n12	699-716
	n13	777-787
	n14	788-798
	n25	1850-1915
	n26	814-849
	n30	2305-2315
	n38	2570-2620
	n41 Power Class 2/3	2496-2690
	n48	3550-3700
	n66	1710-1780
	n70	1695-1710
	n71	663-698
n77	3700-3980	
n78	3300-3800	
Supported radios (TX Frequency Range, MHz)	802.11 b/g/n	2.4GHz (2400.0 – 2483.5 MHz)
	802.11a/n/ac	5.2GHz (5150.0 – 5350.0 MHz) 5.8GHz (5725.0 – 5850.0 MHz)
	Bluetooth 5.2	2.4GHz (2400.0 – 2483.5 MHz)

Unless otherwise stated the results shown in this test report refer only to the sample(s) tested and such sample(s) are retained for 90 days only.

除非另有說明，此報告結果僅對測試之樣品負責，同時此樣品僅保留90天。本報告未經本公司書面許可，不可部份複製。

This document is issued by the Company subject to its General Conditions of Service printed overleaf, available on request or accessible at <http://www.sgs.com.tw/Terms-and-Conditions> and for electronic format documents, subject to Terms and Conditions for Electronic Documents at <http://www.sgs.com.tw/Terms-and-Conditions>. Attention is drawn to the limitation of liability, indemnification and jurisdiction issues defined therein. Any holder of this document is advised that information contained hereon reflects the Company's findings at the time of its intervention only and within the limits of Client's instructions, if any. The Company's sole responsibility is to its Client and this document does not exonerate parties to a transaction from exercising all their rights and obligations under the transaction documents. This document cannot be reproduced except in full, without prior written approval of the Company. Any unauthorized alteration, forgery or falsification of the content or appearance of this document is unlawful and offenders may be prosecuted to the fullest extent of the law.

1.3 Maximum value

Body

Equipment Class	Frequency Band		Highest Standalone Reported SAR summary (W/kg)	Highest Simultaneous Reported SAR summary (W/kg)
Licensed	WWAN	NR	1.27	1.227
DTS	WLAN	2.4 GHz WLAN	0.66	0.66
NII		5 GHz WLAN	0.64	0.64
DSS	2.4GHz Band	Bluetooth	0.08	0.081
Date of testing:			Apr. 18, 2023 ~ May. 12, 2023	

Unless otherwise stated the results shown in this test report refer only to the sample(s) tested and such sample(s) are retained for 90 days only.

除非另有說明，此報告結果僅對測試之樣品負責，同時此樣品僅保留90天。本報告未經本公司書面許可，不可部份複製。

This document is issued by the Company subject to its General Conditions of Service printed overleaf, available on request or accessible at <http://www.sgs.com.tw/Terms-and-Conditions> and for electronic format documents, subject to Terms and Conditions for Electronic Documents at <http://www.sgs.com.tw/Terms-and-Conditions>. Attention is drawn to the limitation of liability, indemnification and jurisdiction issues defined therein. Any holder of this document is advised that information contained hereon reflects the Company's findings at the time of its intervention only and within the limits of Client's instructions, if any. The Company's sole responsibility is to its Client and this document does not exonerate parties to a transaction from exercising all their rights and obligations under the transaction documents. This document cannot be reproduced except in full, without prior written approval of the Company. Any unauthorized alteration, forgery or falsification of the content or appearance of this document is unlawful and offenders may be prosecuted to the fullest extent of the law.

2 MEASUREMENT SYSTEM

2.1 Test Facility

Laboratory	Test Site Address	Test Site Name	FCC Designation number	IC CAB identifier
SGS Taiwan Ltd. Central RF Lab. (TAF code 3702)	1F, No. 8, Alley 15, Lane 120, Sec. 1, NeiHu Road, NeiHu District, Taipei City, 11493, Taiwan.	SAR 2	TW0029	TW3702
		SAR 6		
	No. 2, Keji 1st Rd., Guishan Township, Taoyuan County, 33383, Taiwan	SAR 1	TW0028	
		SAR 4		
	No.134, Wu Kung Road, New Taipei Industrial Park, Wuku District, New Taipei City, Taiwan	SAR 3	TW0027	
		SAR 7		

Note: Test site name is remarked on the equipment list in each section of this report as an indication where measurements occurred in specific test site and address.

Unless otherwise stated the results shown in this test report refer only to the sample(s) tested and such sample(s) are retained for 90 days only.

除非另有說明，此報告結果僅對測試之樣品負責，同時此樣品僅保留90天。本報告未經本公司書面許可，不可部份複製。

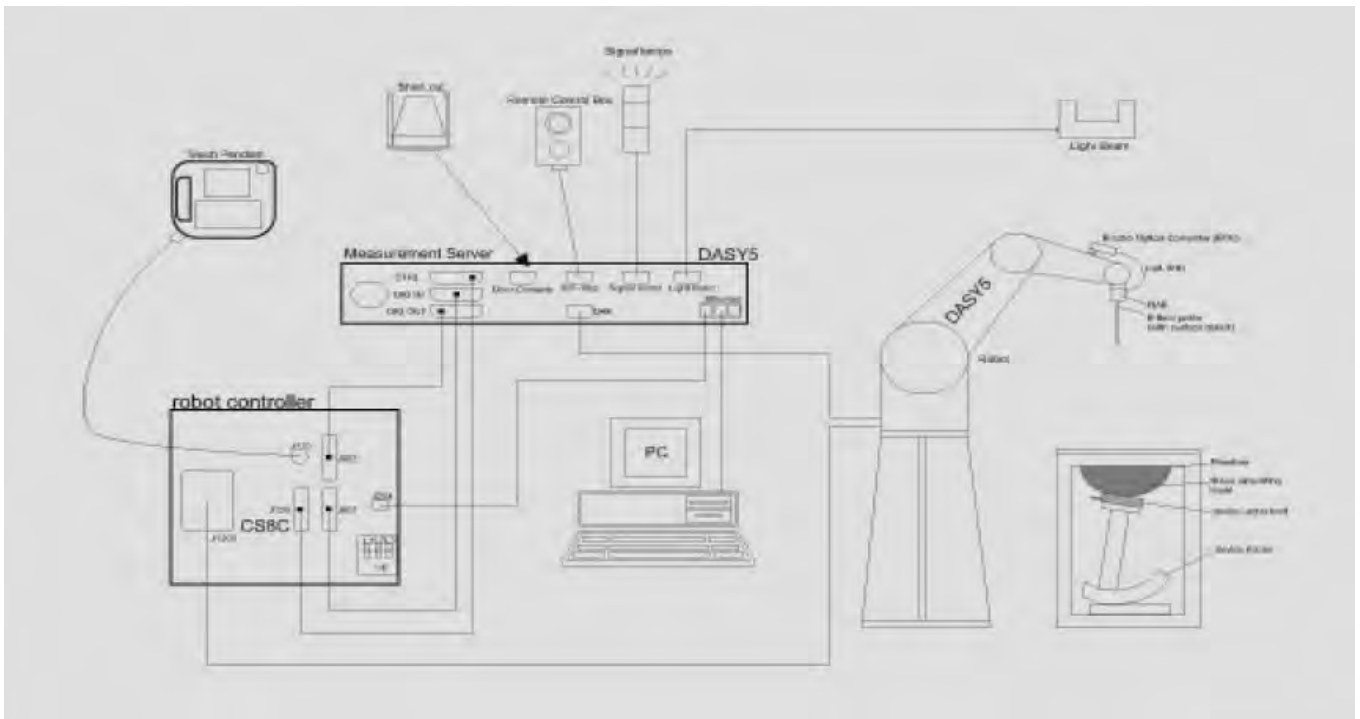
This document is issued by the Company subject to its General Conditions of Service printed overleaf, available on request or accessible at <http://www.sgs.com.tw/Terms-and-Conditions> and for electronic format documents, subject to Terms and Conditions for Electronic Documents at <http://www.sgs.com.tw/Terms-and-Conditions>. Attention is drawn to the limitation of liability, indemnification and jurisdiction issues defined therein. Any holder of this document is advised that information contained hereon reflects the Company's findings at the time of its intervention only and within the limits of Client's instructions, if any. The Company's sole responsibility is to its Client and this document does not exonerate parties to a transaction from exercising all their rights and obligations under the transaction documents. This document cannot be reproduced except in full, without prior written approval of the Company. Any unauthorized alteration, forgery or falsification of the content or appearance of this document is unlawful and offenders may be prosecuted to the fullest extent of the law.

SGS Taiwan Ltd. | No.134,Wu Kung Road, New Taipei Industrial Park, Wuku District, New Taipei City, Taiwan/新北市五股區新北產業園區五工路 134 號

2.2 SAR System

Block Diagram (DASY5)

A block diagram of the SAR measurement System is given in below. This SAR measurement system uses a computer-controlled 3-D stepper motor system (SPEAG DASY 5 professional system). The model EX3DV4 field probe is used to determine the internal electric fields. The SAR can be obtained from the equation $SAR = \sigma (|E|^2) / \rho$ where σ and ρ are the conductivity and mass density of the tissue-simulant.




Unless otherwise stated the results shown in this test report refer only to the sample(s) tested and such sample(s) are retained for 90 days only.

除非另有說明，此報告結果僅對測試之樣品負責，同時此樣品僅保留90天。本報告未經本公司書面許可，不可部份複製。

This document is issued by the Company subject to its General Conditions of Service printed overleaf, available on request or accessible at <http://www.sgs.com.tw/Terms-and-Conditions> and for electronic format documents, subject to Terms and Conditions for Electronic Documents at <http://www.sgs.com.tw/Terms-and-Conditions>. Attention is drawn to the limitation of liability, indemnification and jurisdiction issues defined therein. Any holder of this document is advised that information contained hereon reflects the Company's findings at the time of its intervention only and within the limits of Client's instructions, if any. The Company's sole responsibility is to its Client and this document does not exonerate parties to a transaction from exercising all their rights and obligations under the transaction documents. This document cannot be reproduced except in full, without prior written approval of the Company. Any unauthorized alteration, forgery or falsification of the content or appearance of this document is unlawful and offenders may be prosecuted to the fullest extent of the law.

EX3DV4 E-Field Probe

Construction	Symmetrical design with triangular core Built-in shielding against static charges PEEK enclosure material (resistant to organic solvents, e.g., DGBE)	
Calibration	Basic Broad Band Calibration in air Conversion Factors (CF) for HSL 750/835/1750/1900/2300/2450/2600/3500/ 3700/3900/5250/5750 MHz Additional CF for other liquids and frequencies upon request	
Frequency	10 MHz to > 6 GHz	
Directivity	± 0.3 dB in HSL (rotation around probe axis) ± 0.5 dB in tissue material (rotation normal to probe axis)	
Dynamic Range	10 µW/g to > 100 mW/g Linearity: ± 0.2 dB (noise: typically < 1 µW/g)	
Dimensions	Tip diameter: 2.5 mm	
Application	High precision dosimetric measurements in any exposure scenario (e.g., very strong gradient fields). Only probe which enables compliance testing for frequencies up to 6 GHz with precision of better 30%.	

Unless otherwise stated the results shown in this test report refer only to the sample(s) tested and such sample(s) are retained for 90 days only.

除非另有說明，此報告結果僅對測試之樣品負責，同時此樣品僅保留90天。本報告未經本公司書面許可，不可部份複製。

This document is issued by the Company subject to its General Conditions of Service printed overleaf, available on request or accessible at <http://www.sgs.com.tw/Terms-and-Conditions> and for electronic format documents, subject to Terms and Conditions for Electronic Documents at <http://www.sgs.com.tw/Terms-and-Conditions>. Attention is drawn to the limitation of liability, indemnification and jurisdiction issues defined therein. Any holder of this document is advised that information contained hereon reflects the Company's findings at the time of its intervention only and within the limits of Client's instructions, if any. The Company's sole responsibility is to its Client and this document does not exonerate parties to a transaction from exercising all their rights and obligations under the transaction documents. This document cannot be reproduced except in full, without prior written approval of the Company. Any unauthorized alteration, forgery or falsification of the content or appearance of this document is unlawful and offenders may be prosecuted to the fullest extent of the law.

SGS Taiwan Ltd.

No.134,Wu Kung Road, New Taipei Industrial Park, Wuku District, New Taipei City, Taiwan/新北市五股區新北產業園區五工路 134 號

台灣檢驗科技股份有限公司


t (886-2) 2299-3279

f (886-2) 2298-0488


www.sgs.com.tw

Member of SGS Group

PHANTOM (SAM)

Model	Twin SAM	
Construction	<p>The shell corresponds to the specifications of the Specific Anthropomorphic Mannequin (SAM) phantom defined in IEEE 1528 and IEC 62209.</p> <p>It enables the dosimetric evaluation of left and right hand phone usage as well as body mounted usage at the flat phantom region. A cover prevents evaporation of the liquid. Reference markings on the phantom allow the complete setup of all predefined phantom positions and measurement grids by manually teaching three points with the robot.</p>	
Shell Thickness	2 ± 0.2 mm	
Filling Volume	Approx. 25 liters	
Dimensions	Height: 850 mm; Length: 1000 mm; Width: 500 mm	

DEVICE HOLDER (SAM)

Construction	<p>In combination with the Twin SAM Phantom V4.0/V4.0C or Twin SAM, the Mounting Device (made from POM) enables the rotation of the mounted transmitter in spherical coordinates, whereby the rotation point is the ear opening. The devices can be easily and accurately positioned according to IEC, IEEE, CENELEC, FCC or other specifications. The device holder can be locked at different phantom locations (left head, right head, flat phantom).</p>	 <p style="text-align: center;">Device Holder</p>
--------------	--	--

Unless otherwise stated the results shown in this test report refer only to the sample(s) tested and such sample(s) are retained for 90 days only.

除非另有說明，此報告結果僅對測試之樣品負責，同時此樣品僅保留90天。本報告未經本公司書面許可，不可部份複製。

This document is issued by the Company subject to its General Conditions of Service printed overleaf, available on request or accessible at <http://www.sgs.com.tw/Terms-and-Conditions> and for electronic format documents, subject to Terms and Conditions for Electronic Documents at <http://www.sgs.com.tw/Terms-and-Conditions>. Attention is drawn to the limitation of liability, indemnification and jurisdiction issues defined therein. Any holder of this document is advised that information contained hereon reflects the Company's findings at the time of its intervention only and within the limits of Client's instructions, if any. The Company's sole responsibility is to its Client and this document does not exonerate parties to a transaction from exercising all their rights and obligations under the transaction documents. This document cannot be reproduced except in full, without prior written approval of the Company. Any unauthorized alteration, forgery or falsification of the content or appearance of this document is unlawful and offenders may be prosecuted to the fullest extent of the law.

3 SAR SYSTEM VERIFICATION

3.1 Tissue Simulating Liquid

For the measurement of the field distribution inside the SAM phantom with DASY, the phantom must be filled with homogeneous tissue simulating liquid. For head SAR testing, the liquid height from the ear reference point (ERP) of the phantom to the liquid top surface is larger than 15cm. For body SAR testing, the liquid height from the center of the flat phantom to the liquid top surface is larger than 15cm.

3.2 Tissue Simulant Liquid measurement

The dielectric properties for this Head-simulant fluid were measured by using the SPEAG Dielectric Assessment Kit (DAKS-3.5)
All dielectric parameters of tissue simulates were measured within 24 hours of SAR measurements. The measured conductivity and permittivity are all within $\pm 5\%$ of the target values.

3.3 Measurement results of Tissue Simulant Liquid

Measured Frequency (MHz)	Liquid Temp. (°C)	Target Dielectric Constant, ϵ_r	Target Conductivity, σ (S/m)	Measured Dielectric Constant, ϵ_r	Measured Conductivity, σ (S/m)	% dev ϵ_r	% dev σ	Limit	Measurement Date
704	22.3	42.145	0.887	42.515	0.863	0.88%	-2.70%	$\pm 5\%$	Apr. 21, 2023
707.5	22.3	42.127	0.887	42.432	0.865	0.72%	-2.50%	$\pm 5\%$	Apr. 21, 2023
711	22.3	42.108	0.887	42.402	0.867	0.70%	-2.30%	$\pm 5\%$	Apr. 21, 2023
750	22.3	41.900	0.890	42.261	0.904	0.86%	1.57%	$\pm 5\%$	Apr. 21, 2023
782	22.3	41.749	0.894	42.149	0.915	0.96%	2.38%	$\pm 5\%$	Apr. 21, 2023
793	22.3	41.698	0.895	42.068	0.926	0.89%	3.46%	$\pm 5\%$	Apr. 21, 2023
673	22.0	42.311	0.885	42.781	0.847	1.11%	-4.28%	$\pm 5\%$	Apr. 22, 2023
680.5	22.0	42.271	0.885	42.756	0.852	1.15%	-3.77%	$\pm 5\%$	Apr. 22, 2023
688	22.0	42.231	0.886	42.700	0.858	1.11%	-3.15%	$\pm 5\%$	Apr. 22, 2023
706.5	22.0	42.132	0.887	42.638	0.862	1.20%	-2.83%	$\pm 5\%$	Apr. 22, 2023
707.5	22.0	42.127	0.887	42.555	0.863	1.02%	-2.72%	$\pm 5\%$	Apr. 22, 2023
708.5	22.0	42.121	0.887	42.508	0.863	0.92%	-2.73%	$\pm 5\%$	Apr. 22, 2023
709	22.0	42.119	0.887	42.493	0.864	0.89%	-2.62%	$\pm 5\%$	Apr. 22, 2023
710	22.0	42.113	0.887	42.485	0.864	0.88%	-2.63%	$\pm 5\%$	Apr. 22, 2023
711	22.0	42.108	0.887	42.471	0.865	0.86%	-2.52%	$\pm 5\%$	Apr. 22, 2023
750	22.0	41.900	0.890	42.384	0.903	1.16%	1.46%	$\pm 5\%$	Apr. 22, 2023
673	22.1	42.311	0.885	42.632	0.852	0.76%	-3.71%	$\pm 5\%$	Apr. 23, 2023
680.5	22.1	42.271	0.885	42.582	0.857	0.74%	-3.20%	$\pm 5\%$	Apr. 23, 2023
688	22.1	42.231	0.886	42.529	0.859	0.71%	-3.03%	$\pm 5\%$	Apr. 23, 2023
750	22.1	41.900	0.890	42.293	0.906	0.94%	1.80%	$\pm 5\%$	Apr. 23, 2023
782	22.1	41.749	0.894	42.253	0.909	1.21%	1.70%	$\pm 5\%$	Apr. 23, 2023
793	22.1	41.698	0.895	42.172	0.917	1.14%	2.45%	$\pm 5\%$	Apr. 23, 2023
704	21.6	42.145	0.887	42.795	0.854	1.54%	-3.71%	$\pm 5\%$	Apr. 24, 2023
707.5	21.6	42.127	0.887	42.713	0.859	1.39%	-3.17%	$\pm 5\%$	Apr. 24, 2023
711	21.6	42.108	0.887	42.683	0.862	1.37%	-2.86%	$\pm 5\%$	Apr. 24, 2023
750	21.6	41.900	0.890	42.532	0.899	1.51%	1.01%	$\pm 5\%$	Apr. 24, 2023
782	21.6	41.749	0.894	42.430	0.902	1.63%	0.92%	$\pm 5\%$	Apr. 24, 2023
793	21.6	41.698	0.895	42.348	0.907	1.56%	1.33%	$\pm 5\%$	Apr. 24, 2023

Unless otherwise stated the results shown in this test report refer only to the sample(s) tested and such sample(s) are retained for 90 days only.

除非另有說明，此報告結果僅對測試之樣品負責，同時此樣品僅保留90天。本報告未經本公司書面許可，不可部份複製。

This document is issued by the Company subject to its General Conditions of Service printed overleaf, available on request or accessible at <http://www.sgs.com.tw/Terms-and-Conditions> and for electronic format documents, subject to Terms and Conditions for Electronic Documents at <http://www.sgs.com.tw/Terms-and-Conditions>. Attention is drawn to the limitation of liability, indemnification and jurisdiction issues defined therein. Any holder of this document is advised that information contained hereon reflects the Company's findings at the time of its intervention only and within the limits of Client's instructions, if any. The Company's sole responsibility is to its Client and this document does not exonerate parties to a transaction from exercising all their rights and obligations under the transaction documents. This document cannot be reproduced except in full, without prior written approval of the Company. Any unauthorized alteration, forgery or falsification of the content or appearance of this document is unlawful and offenders may be prosecuted to the fullest extent of the law.

Measured Frequency (MHz)	Liquid Temp. (°C)	Target Dielectric Constant, ϵ_r	Target Conductivity, σ (S/m)	Measured Dielectric Constant, ϵ_r	Measured Conductivity, σ (S/m)	% dev ϵ_r	% dev σ	Limit	Measurement Date
673	21.8	42.311	0.885	42.874	0.850	1.33%	-3.94%	± 5%	Apr. 25, 2023
680.5	21.8	42.271	0.885	42.811	0.851	1.28%	-3.88%	± 5%	Apr. 25, 2023
688	21.8	42.231	0.886	42.528	0.852	0.70%	-3.82%	± 5%	Apr. 25, 2023
709	21.8	42.119	0.887	42.413	0.857	0.70%	-3.41%	± 5%	Apr. 25, 2023
710	21.8	42.113	0.887	42.396	0.858	0.67%	-3.31%	± 5%	Apr. 25, 2023
711	21.8	42.108	0.887	42.383	0.862	0.65%	-2.86%	± 5%	Apr. 25, 2023
750	21.8	41.900	0.890	42.241	0.893	0.81%	0.34%	± 5%	Apr. 25, 2023
821.5	21.7	41.564	0.898	40.998	0.877	-1.36%	-2.38%	± 5%	Apr. 26, 2023
829	21.7	41.528	0.899	40.935	0.886	-1.43%	-1.48%	± 5%	Apr. 26, 2023
831.5	21.7	41.516	0.900	40.918	0.889	-1.44%	-1.18%	± 5%	Apr. 26, 2023
835	21.7	41.500	0.900	40.905	0.893	-1.43%	-0.78%	± 5%	Apr. 26, 2023
836.5	21.7	41.500	0.902	40.901	0.894	-1.44%	-0.84%	± 5%	Apr. 26, 2023
841.5	21.7	41.500	0.907	40.868	0.900	-1.52%	-0.77%	± 5%	Apr. 26, 2023
844	21.7	41.500	0.910	40.867	0.902	-1.53%	-0.85%	± 5%	Apr. 26, 2023
824	21.5	41.552	0.899	40.568	0.871	-2.37%	-3.08%	± 5%	Apr. 27, 2023
831.5	21.5	41.516	0.900	40.499	0.874	-2.45%	-2.84%	± 5%	Apr. 27, 2023
834	21.5	41.505	0.900	40.491	0.877	-2.44%	-2.54%	± 5%	Apr. 27, 2023
835	21.5	41.500	0.900	40.487	0.878	-2.44%	-2.44%	± 5%	Apr. 27, 2023
836.5	21.5	41.500	0.902	40.482	0.882	-2.45%	-2.18%	± 5%	Apr. 27, 2023
839	21.5	41.500	0.904	40.459	0.885	-2.51%	-2.14%	± 5%	Apr. 27, 2023
821.5	21.6	41.564	0.898	40.717	0.872	-2.04%	-2.94%	± 5%	Apr. 28, 2023
829	21.6	41.528	0.899	40.654	0.873	-2.11%	-2.92%	± 5%	Apr. 28, 2023
831.5	21.6	41.516	0.900	40.636	0.875	-2.12%	-2.73%	± 5%	Apr. 28, 2023
835	21.6	41.500	0.900	40.624	0.879	-2.11%	-2.33%	± 5%	Apr. 28, 2023
836.5	21.6	41.500	0.902	40.619	0.883	-2.12%	-2.06%	± 5%	Apr. 28, 2023
841.5	21.6	41.500	0.907	40.587	0.892	-2.20%	-1.65%	± 5%	Apr. 28, 2023
844	21.6	41.500	0.910	40.586	0.895	-2.20%	-1.62%	± 5%	Apr. 28, 2023
1720	22.1	40.114	1.354	39.239	1.298	-2.18%	-4.16%	± 5%	Apr. 29, 2023
1730	22.1	40.100	1.360	39.227	1.305	-2.18%	-4.04%	± 5%	Apr. 29, 2023
1732.5	22.1	40.096	1.361	39.225	1.307	-2.17%	-4.00%	± 5%	Apr. 29, 2023
1745	22.1	40.079	1.369	39.209	1.317	-2.17%	-3.77%	± 5%	Apr. 29, 2023
1750	22.1	40.071	1.371	39.190	1.321	-2.20%	-3.68%	± 5%	Apr. 29, 2023
1760	22.1	40.057	1.377	39.165	1.328	-2.23%	-3.57%	± 5%	Apr. 29, 2023
1770	22.1	40.043	1.383	39.143	1.336	-2.25%	-3.39%	± 5%	Apr. 29, 2023
1702.5	22.1	40.139	1.344	39.431	1.293	-1.76%	-3.82%	± 5%	Apr. 30, 2023
1720	21.8	40.114	1.354	39.409	1.304	-1.76%	-3.71%	± 5%	Apr. 30, 2023
1732.5	21.8	40.096	1.361	39.395	1.311	-1.75%	-3.70%	± 5%	Apr. 30, 2023
1745	21.8	40.079	1.369	39.371	1.318	-1.77%	-3.70%	± 5%	Apr. 30, 2023
1750	21.8	40.071	1.371	39.358	1.329	-1.78%	-3.09%	± 5%	Apr. 30, 2023
1770	21.8	40.043	1.383	39.342	1.341	-1.75%	-3.03%	± 5%	Apr. 30, 2023

Unless otherwise stated the results shown in this test report refer only to the sample(s) tested and such sample(s) are retained for 90 days only.

除非另有說明，此報告結果僅對測試之樣品負責，同時此樣品僅保留90天。本報告未經本公司書面許可，不可部份複製。

This document is issued by the Company subject to its General Conditions of Service printed overleaf, available on request or accessible at <http://www.sgs.com.tw/Terms-and-Conditions> and for electronic format documents, subject to Terms and Conditions for Electronic Documents at <http://www.sgs.com.tw/Terms-and-Conditions>. Attention is drawn to the limitation of liability, indemnification and jurisdiction issues defined therein. Any holder of this document is advised that information contained hereon reflects the Company's findings at the time of its intervention only and within the limits of Client's instructions, if any. The Company's sole responsibility is to its Client and this document does not exonerate parties to a transaction from exercising all their rights and obligations under the transaction documents. This document cannot be reproduced except in full, without prior written approval of the Company. Any unauthorized alteration, forgery or falsification of the content or appearance of this document is unlawful and offenders may be prosecuted to the fullest extent of the law.

Measured Frequency (MHz)	Liquid Temp. (°C)	Target Dielectric Constant, ϵ_r	Target Conductivity, σ (S/m)	Measured Dielectric Constant, ϵ_r	Measured Conductivity, σ (S/m)	% dev ϵ_r	% dev σ	Limit	Measurement Date
1860	22.2	40.000	1.400	39.013	1.406	-2.47%	0.43%	± 5%	May. 01, 2023
1880	22.2	40.000	1.400	39.001	1.421	-2.50%	1.50%	± 5%	May. 01, 2023
1882.5	22.2	40.000	1.400	38.998	1.423	-2.51%	1.64%	± 5%	May. 01, 2023
1900	22.2	40.000	1.400	38.986	1.437	-2.54%	2.64%	± 5%	May. 01, 2023
1905	22.2	40.000	1.400	38.981	1.441	-2.55%	2.93%	± 5%	May. 01, 2023
1860	21.9	40.000	1.400	39.183	1.399	-2.04%	-0.07%	± 5%	May. 02, 2023
1870	21.9	40.000	1.400	39.175	1.413	-2.06%	0.93%	± 5%	May. 02, 2023
1882.5	21.9	40.000	1.400	39.136	1.417	-2.16%	1.21%	± 5%	May. 02, 2023
1895	21.9	40.000	1.400	39.127	1.418	-2.18%	1.29%	± 5%	May. 02, 2023
1900	21.9	40.000	1.400	39.125	1.426	-2.19%	1.86%	± 5%	May. 02, 2023
1905	21.9	40.000	1.400	39.121	1.432	-2.20%	2.29%	± 5%	May. 02, 2023
2300	21.8	39.457	1.667	38.566	1.722	-2.26%	3.29%	± 5%	May. 03, 2023
2310	21.8	39.440	1.676	38.512	1.731	-2.35%	3.28%	± 5%	May. 03, 2023
2546.01	21.4	39.072	1.902	37.589	1.868	-3.80%	-1.81%	± 5%	May. 04, 2023
2590	21.4	39.013	1.949	37.454	1.902	-4.00%	-2.43%	± 5%	May. 04, 2023
2592.99	21.4	39.009	1.953	37.450	1.905	-4.00%	-2.43%	± 5%	May. 04, 2023
2595	21.4	39.007	1.955	37.447	1.906	-4.00%	-2.49%	± 5%	May. 04, 2023
2600	21.4	39.000	1.960	37.441	1.910	-4.00%	-2.55%	± 5%	May. 04, 2023
2640	21.4	38.950	2.004	37.345	1.942	-4.12%	-3.09%	± 5%	May. 04, 2023
2510	21.6	39.120	1.864	37.938	1.867	-3.02%	0.16%	± 5%	May. 05, 2023
2520	21.6	39.107	1.875	37.892	1.868	-3.11%	-0.36%	± 5%	May. 05, 2023
2535	21.6	39.087	1.891	37.883	1.871	-3.08%	-1.04%	± 5%	May. 05, 2023
2550	21.6	39.067	1.907	37.864	1.879	-3.08%	-1.45%	± 5%	May. 05, 2023
2560	21.6	39.053	1.917	37.832	1.883	-3.13%	-1.79%	± 5%	May. 05, 2023
2590	21.6	39.013	1.949	37.819	1.903	-3.06%	-2.38%	± 5%	May. 05, 2023
2595	21.6	39.007	1.955	37.794	1.907	-3.11%	-2.44%	± 5%	May. 05, 2023
2600	21.6	39.000	1.960	37.766	1.914	-3.16%	-2.35%	± 5%	May. 05, 2023
2546.01	21.7	39.072	1.902	37.721	1.871	-3.46%	-1.65%	± 5%	May. 06, 2023
2590	21.7	39.013	1.949	37.586	1.905	-3.66%	-2.27%	± 5%	May. 06, 2023
2592.99	21.7	39.009	1.953	37.582	1.908	-3.66%	-2.28%	± 5%	May. 06, 2023
2595	21.7	39.007	1.955	37.579	1.909	-3.66%	-2.34%	± 5%	May. 06, 2023
2600	21.7	39.000	1.960	37.573	1.913	-3.66%	-2.40%	± 5%	May. 06, 2023
2640	21.7	38.950	2.004	37.477	1.945	-3.78%	-2.94%	± 5%	May. 06, 2023
3499.99	22.0	37.900	2.910	38.425	2.900	1.39%	-0.34%	± 5%	May. 07, 2023
3500	22.0	37.900	2.910	38.422	2.901	1.38%	-0.31%	± 5%	May. 07, 2023
3537.51	22.0	37.862	2.949	38.383	2.935	1.37%	-0.48%	± 5%	May. 07, 2023
3570	22.0	37.830	2.983	38.314	2.967	1.28%	-0.53%	± 5%	May. 07, 2023
3575.01	22.0	37.825	2.988	38.311	2.972	1.28%	-0.54%	± 5%	May. 07, 2023
3499.99	22.1	37.900	2.910	38.257	2.879	0.94%	-1.07%	± 5%	May. 08, 2023
3500	22.1	37.900	2.910	38.255	2.880	0.94%	-1.03%	± 5%	May. 08, 2023
3500.01	22.1	37.900	2.910	38.253	2.881	0.93%	-1.00%	± 5%	May. 08, 2023
3537.51	22.1	37.862	2.949	38.215	2.913	0.93%	-1.22%	± 5%	May. 08, 2023
3570	22.1	37.830	2.983	38.146	2.945	0.84%	-1.27%	± 5%	May. 08, 2023
3575.01	22.1	37.825	2.988	38.143	2.949	0.84%	-1.31%	± 5%	May. 08, 2023
3612.51	21.7	37.787	3.027	38.240	3.014	1.20%	-0.43%	± 5%	May. 09, 2023
3625	21.7	37.775	3.040	38.206	3.022	1.14%	-0.59%	± 5%	May. 09, 2023
3650.01	21.7	37.750	3.066	38.157	3.047	1.08%	-0.62%	± 5%	May. 09, 2023
3679.99	21.7	37.720	3.097	38.112	3.078	1.04%	-0.62%	± 5%	May. 09, 2023
3700	21.7	37.700	3.118	38.078	3.096	1.00%	-0.71%	± 5%	May. 09, 2023
3750	21.7	37.650	3.170	37.964	3.143	0.83%	-0.85%	± 5%	May. 09, 2023
3795	21.7	37.605	3.217	37.942	3.194	0.90%	-0.71%	± 5%	May. 09, 2023
3612.51	21.7	37.787	3.027	38.072	2.990	0.75%	-1.22%	± 5%	May. 10, 2023
3650.01	21.7	37.750	3.066	37.989	3.024	0.63%	-1.37%	± 5%	May. 10, 2023
3700	21.7	37.700	3.118	37.910	3.073	0.56%	-1.44%	± 5%	May. 10, 2023
3750	21.7	37.650	3.170	37.796	3.120	0.39%	-1.58%	± 5%	May. 10, 2023
3612.51	21.5	37.787	3.027	38.199	3.007	1.09%	-0.66%	± 5%	May. 11, 2023
3625	21.5	37.775	3.040	38.165	3.016	1.03%	-0.79%	± 5%	May. 11, 2023
3650.01	21.5	37.750	3.066	38.116	3.041	0.97%	-0.82%	± 5%	May. 11, 2023
3679.995	21.5	37.720	3.097	38.071	3.072	0.93%	-0.81%	± 5%	May. 11, 2023
3700	21.5	37.700	3.118	38.037	3.089	0.89%	-0.93%	± 5%	May. 11, 2023
3750	21.5	37.650	3.170	37.923	3.149	0.73%	-0.66%	± 5%	May. 11, 2023
3795	21.5	37.605	3.217	37.901	3.187	0.79%	-0.93%	± 5%	May. 11, 2023
3840	21.5	37.560	3.264	37.864	3.235	0.81%	-0.88%	± 5%	May. 12, 2023
3885	21.5	37.515	3.310	37.804	3.279	0.77%	-0.95%	± 5%	May. 12, 2023
3900	21.5	37.500	3.326	37.784	3.293	0.76%	-0.99%	± 5%	May. 12, 2023
3930	21.5	37.470	3.357	37.728	3.321	0.69%	-1.08%	± 5%	May. 12, 2023
2412	22.1	39.265	1.766	38.556	1.754	-1.81%	-0.70%	± 5%	Apr. 18, 2023
2450	22.1	39.200	1.800	38.511	1.783	-1.76%	-0.94%	± 5%	Apr. 18, 2023

Unless otherwise stated the results shown in this test report refer only to the sample(s) tested and such sample(s) are retained for 90 days only.

除非另有說明，此報告結果僅對測試之樣品負責。同時此樣品僅保留90天。本報告未經本公司書面許可，不可部份複製。

This document is issued by the Company subject to its General Conditions of Service printed overleaf, available on request or accessible at <http://www.sgs.com.tw/Terms-and-Conditions> and for electronic format documents, subject to Terms and Conditions for Electronic Documents at <http://www.sgs.com.tw/Terms-and-Conditions>. Attention is drawn to the limitation of liability, indemnification and jurisdiction issues defined therein. Any holder of this document is advised that information contained hereon reflects the Company's findings at the time of its intervention only and within the limits of Client's instructions, if any. The Company's sole responsibility is to its Client and this document does not exonerate parties to a transaction from exercising all their rights and obligations under the transaction documents. This document cannot be reproduced except in full, without prior written approval of the Company. Any unauthorized alteration, forgery or falsification of the content or appearance of this document is unlawful and offenders may be prosecuted to the fullest extent of the law.

Measured Frequency (MHz)	Liquid Temp. (°C)	Target Dielectric Constant, ϵ_r	Target Conductivity, σ (S/m)	Measured Dielectric Constant, ϵ_r	Measured Conductivity, σ (S/m)	% dev ϵ_r	% dev σ	Limit	Measurement Date
2402	22.1	39.282	1.757	38.590	1.745	-1.76%	-0.71%	± 5%	Apr. 18, 2023
2412	22.1	39.265	1.766	38.556	1.754	-1.81%	-0.70%	± 5%	Apr. 18, 2023
2437	22.1	39.222	1.788	38.522	1.773	-1.79%	-0.87%	± 5%	Apr. 18, 2023
2441	22.1	39.215	1.792	38.516	1.776	-1.78%	-0.89%	± 5%	Apr. 18, 2023
2450	22.1	39.200	1.800	38.511	1.783	-1.76%	-0.94%	± 5%	Apr. 18, 2023
2462	22.1	39.184	1.813	38.492	1.793	-1.77%	-1.09%	± 5%	Apr. 18, 2023
2480	22.1	39.160	1.832	38.474	1.807	-1.75%	-1.36%	± 5%	Apr. 18, 2023
5190	21.9	36.010	4.650	36.308	4.574	0.83%	-1.62%	± 5%	Apr. 19, 2023
5230	21.9	35.970	4.690	36.174	4.628	0.57%	-1.32%	± 5%	Apr. 19, 2023
5250	21.9	35.950	4.710	36.131	4.667	0.50%	-0.91%	± 5%	Apr. 19, 2023
5750	22.1	35.350	5.220	35.136	5.320	-0.61%	1.92%	± 5%	Apr. 19, 2023
5775	22.1	35.325	5.245	35.113	5.353	-0.60%	2.06%	± 5%	Apr. 19, 2023

Unless otherwise stated the results shown in this test report refer only to the sample(s) tested and such sample(s) are retained for 90 days only.

除非另有說明，此報告結果僅對測試之樣品負責，同時此樣品僅保留90天。本報告未經本公司書面許可，不可部份複製。

This document is issued by the Company subject to its General Conditions of Service printed overleaf, available on request or accessible at <http://www.sgs.com.tw/Terms-and-Conditions> and for electronic format documents, subject to Terms and Conditions for Electronic Documents at <http://www.sgs.com.tw/Terms-and-Conditions>. Attention is drawn to the limitation of liability, indemnification and jurisdiction issues defined therein. Any holder of this document is advised that information contained hereon reflects the Company's findings at the time of its intervention only and within the limits of Client's instructions, if any. The Company's sole responsibility is to its Client and this document does not exonerate parties to a transaction from exercising all their rights and obligations under the transaction documents. This document cannot be reproduced except in full, without prior written approval of the Company. Any unauthorized alteration, forgery or falsification of the content or appearance of this document is unlawful and offenders may be prosecuted to the fullest extent of the law.

3.4 The composition of the tissue simulating liquid:

Simulating Liquids for 600 MHz -10 GHz, Manufactured by SPEAG:

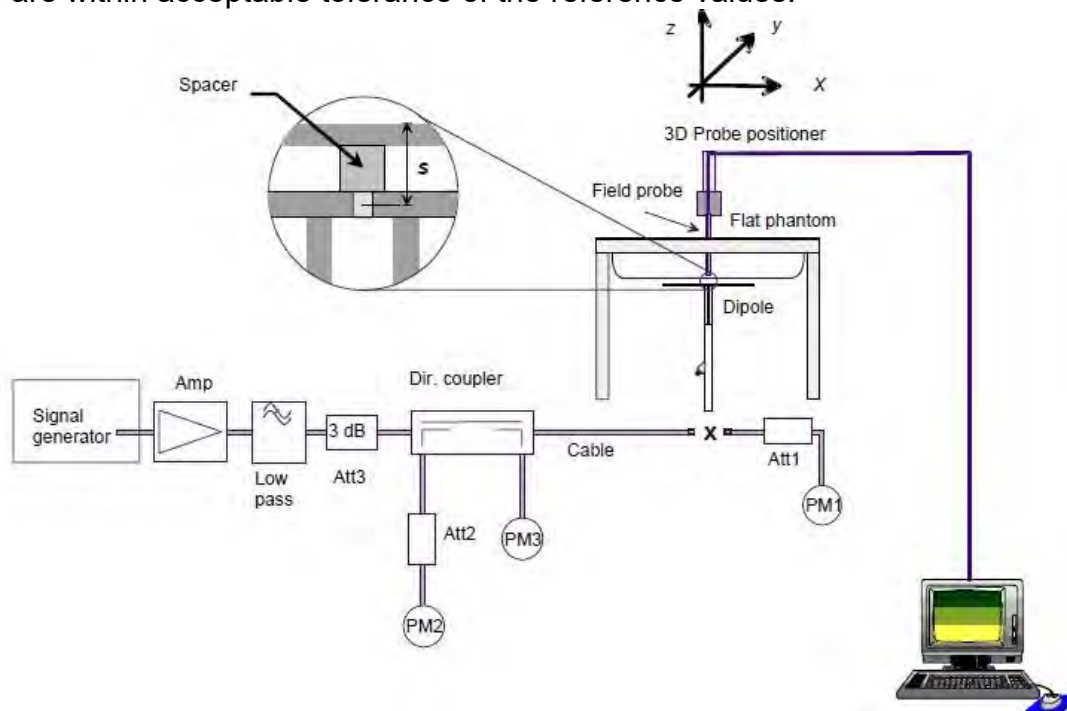
Broad-band head tissue simulating liquids	SPEAG Product	Frequency range (MHz)	Main Ingredients
	HBBL600-10000V6	600 - 10000	Water, Oil

3.5 System check

The microwave circuit arrangement for system check is sketched in below. The daily system accuracy verification occurs within the flat section of the SAM phantom and ELI phantom. A SAR measurement was performed to see if the measured SAR was within +/- 10% from the target SAR values.

The tests were conducted on the same days as the measurement of the DUT. The obtained results from the system accuracy verification are displayed with SAR values normalized to 1W forward power delivered to the dipole.

During the tests, the liquid depth from the center of the flat phantom to the liquid top surface was 15 cm above in all the cases. It is seen that the system is operating within its specification, as the results are within acceptable tolerance of the reference values.



The block diagram of system check

Unless otherwise stated the results shown in this test report refer only to the sample(s) tested and such sample(s) are retained for 90 days only.

除非另有說明，此報告結果僅對測試之樣品負責，同時此樣品僅保留90天。本報告未經本公司書面許可，不可部份複製。

This document is issued by the Company subject to its General Conditions of Service printed overleaf, available on request or accessible at <http://www.sgs.com.tw/Terms-and-Conditions> and for electronic format documents, subject to Terms and Conditions for Electronic Documents at <http://www.sgs.com.tw/Terms-and-Conditions>. Attention is drawn to the limitation of liability, indemnification and jurisdiction issues defined therein. Any holder of this document is advised that information contained hereon reflects the Company's findings at the time of its intervention only and within the limits of Client's instructions, if any. The Company's sole responsibility is to its Client and this document does not exonerate parties to a transaction from exercising all their rights and obligations under the transaction documents. This document cannot be reproduced except in full, without prior written approval of the Company. Any unauthorized alteration, forgery or falsification of the content or appearance of this document is unlawful and offenders may be prosecuted to the fullest extent of the law.

3.6 System check results

Validation Kit	S/N	Frequency (MHz)	1W Target 1g-SAR (W/kg)	pin=250mW Measured 1g-SAR (W/kg)	Normalized to 1W 1g-SAR (W/kg)	Deviation (%)	Limit	Measurement Date
D750V3	1015	750	8.56	2.18	8.72	1.87	± 10%	Apr.21,2023
D750V3	1015	750	8.56	2.16	8.64	0.93	± 10%	Apr.22,2023
D750V3	1015	750	8.56	2.19	8.76	2.34	± 10%	Apr.23,2023
D750V3	1015	750	8.56	2.07	8.28	-3.27	± 10%	Apr.24,2023
D750V3	1015	750	8.56	2.05	8.2	-4.21	± 10%	Apr.25,2023
D835V2	4d063	835	9.82	2.43	9.72	-1.02	± 10%	Apr.26,2023
D835V2	4d063	835	9.82	2.55	10.2	3.87	± 10%	Apr.27,2023
D835V2	4d063	835	9.82	2.39	9.56	-2.65	± 10%	Apr.28,2023
D1750V2	1008	1750	36.4	9.31	37.24	2.31	± 10%	Apr.29,2023
D1750V2	1008	1750	36.4	8.83	35.32	-2.97	± 10%	Apr.30,2023
D1900V2	5d142	1900	36.3	9.49	37.96	4.57	± 10%	May.01,2023
D1900V2	5d142	1900	36.3	9.65	38.6	6.34	± 10%	May.02,2023
D2300V2	1023	2300	48.5	11.6	46.4	-4.33	± 10%	May.03,2023
D2600V2	1005	2600	55.4	14.3	57.2	3.25	± 10%	May.04,2023
D2600V2	1005	2600	55.4	14.4	57.6	3.97	± 10%	May.05,2023
D2600V2	1005	2600	55.4	13.6	54.4	-1.81	± 10%	May.06,2023
Validation Kit	S/N	Frequency (MHz)	1W Target 1g-SAR (W/kg)	pin=100mW Measured 1g-SAR (W/kg)	Normalized to 1W 1g-SAR (W/kg)	Deviation (%)	Limit	Measurement Date
D3500V2	1009	3500	65.2	6.65	66.5	1.99	± 10%	May.07,2023
D3500V2	1009	3500	65.2	6.64	66.4	1.84	± 10%	May.08,2023
D3700V2	1057	3700	66.6	6.61	66.1	-0.75	± 10%	May.09,2023
D3700V2	1057	3700	66.6	6.62	66.2	-0.60	± 10%	May.10,2023
D3700V2	1057	3700	66.6	6.53	65.3	-1.95	± 10%	May.11,2023
D3900V2	1032	3900	69.5	6.75	67.5	-2.88	± 10%	May.12,2023
Validation Kit	S/N	Frequency (MHz)	1W Target 1g-SAR (W/kg)	pin=250mW Measured 1g-SAR (W/kg)	Normalized to 1W 1g-SAR (W/kg)	Deviation (%)	Limit	Measurement Date
D2450V2	727	2450	52.8	13	52	-1.52	± 10%	Apr.18,2023
Validation Kit	S/N	Frequency (MHz)	1W Target 1g-SAR (W/kg)	pin=100mW Measured 1g-SAR (W/kg)	Normalized to 1W 1g-SAR (W/kg)	Deviation (%)	Limit	Measurement Date
D5GHzV2	1023	5250	80.5	8.09	80.9	0.50	± 10%	Apr.19,2023
D5GHzV2	1023	5750	80.4	8.26	82.6	2.74	± 10%	Apr.19,2023

Unless otherwise stated the results shown in this test report refer only to the sample(s) tested and such sample(s) are retained for 90 days only.

除非另有說明，此報告結果僅對測試之樣品負責，同時此樣品僅保留90天。本報告未經本公司書面許可，不可部份複製。

This document is issued by the Company subject to its General Conditions of Service printed overleaf, available on request or accessible at <http://www.sgs.com.tw/Terms-and-Conditions>, and for electronic format documents, subject to Terms and Conditions for Electronic Documents at <http://www.sgs.com.tw/Terms-and-Conditions>. Attention is drawn to the limitation of liability, indemnification and jurisdiction issues defined therein. Any holder of this document is advised that information contained hereon reflects the Company's findings at the time of its intervention only and within the limits of Client's instructions, if any. The Company's sole responsibility is to its Client and this document does not exonerate parties to a transaction from exercising all their rights and obligations under the transaction documents. This document cannot be reproduced except in full, without prior written approval of the Company. Any unauthorized alteration, forgery or falsification of the content or appearance of this document is unlawful and offenders may be prosecuted to the fullest extent of the law.

4 TEST CONFIGURATIONS

4.1 Test Environment

Ambient Temperature: 22±2° C

Tissue Simulating Liquid: 22±2° C

4.2 Test Note

- **General:** Measurements are performed respectively on the lowest, middle and highest channels of the operating band(s).
- **General:** The EUT is set to maximum power level during all tests, and at the beginning of each test the battery is fully charged.
- **General:** During the SAR testing, the DASY system checks power drift by comparing the e-field strength of one specific location measured at the beginning with that measured at the end of the SAR testing.
- **General:** According to KDB447498D01v06, testing of other required channels is not required when the reported 1-g SAR for the highest output channel is ≤ 0.8 W/kg, when the transmission band is ≤ 100 MHz.
- **General:** According to KDB865664D01v01r04, SAR measurement variability must be assessed for each frequency band. When the original highest measured SAR is ≥ 0.8 W/kg, repeated that measurement once. Perform a second repeated measurement only if the ratio of largest to smallest SAR for the original and first repeated measurements is > 1.20 or when the original or repeated measurement is ≥ 1.45 W/kg (~ 10% from the 1-g SAR limit).
- **LTE:** LTE modes test according to **KDB 941225D05v02r05**.
 - a. Per Section 5.2.1, the largest channel bandwidth and measure SAR for QPSK with 1 RB allocation.
 - Using the RB offset and required test channel combination with the highest maximum output power for RB offsets at the upper edge, middle and lower edge of each required test channel.
 - When the reported SAR is ≤ 0.8 W/kg, testing of the remaining RB offset configurations and required test channels is not required for 1 RB allocation; otherwise, SAR is required for the remaining required test channels and only for the RB offset configuration with the highest output power for that channel.
 - When the reported SAR of a required test channel is > 1.45 W/kg, SAR is required for all three RB offset configurations for that required test channel.
 - b. Per Section 5.2.2, the largest channel bandwidth and measure SAR for QPSK with 50% RB allocation
 - The procedures required for 1 RB allocation in 5.2.1 are applied to measure the SAR for QPSK with 50% RB allocation.
 - c. Per Section 5.2.3, the largest channel bandwidth and measure SAR for QPSK with 100% RB allocation
 - For QPSK with 100% RB allocation, SAR is not required when the highest

Unless otherwise stated the results shown in this test report refer only to the sample(s) tested and such sample(s) are retained for 90 days only.

除非另有說明，此報告結果僅對測試之樣品負責，同時此樣品僅保留90天。本報告未經本公司書面許可，不可部份複製。

This document is issued by the Company subject to its General Conditions of Service printed overleaf, available on request or accessible at <http://www.sgs.com.tw/Terms-and-Conditions> and for electronic format documents, subject to Terms and Conditions for Electronic Documents at <http://www.sgs.com.tw/Terms-and-Conditions>. Attention is drawn to the limitation of liability, indemnification and jurisdiction issues defined therein. Any holder of this document is advised that information contained herein reflects the Company's findings at the time of its intervention only and within the limits of Client's instructions, if any. The Company's sole responsibility is to its Client and this document does not exonerate parties to a transaction from exercising all their rights and obligations under the transaction documents. This document cannot be reproduced except in full, without prior written approval of the Company. Any unauthorized alteration, forgery or falsification of the content or appearance of this document is unlawful and offenders may be prosecuted to the fullest extent of the law.

maximum output power for 100 % RB allocation is less than the highest maximum output power in 50% and 1 RB allocations and the highest reported SAR for 1 RB and 50% RB allocation in 5.2.1 and 5.2.2 are ≤ 0.8 W/kg.

- Otherwise, SAR is measured for the highest output power channel and if the reported SAR is > 1.45 W/kg, the remaining required test channels must also be tested.

d. Per Section 5.2.4, Higher order modulations

- For each modulation besides QPSK; e.g., 16-QAM, 64-QAM, apply the QPSK procedures in sections 5.2.1, 5.2.2 and 5.2.3 to determine the QAM configurations that may need SAR measurement. For each configuration identified as required for testing, SAR is required only when the highest maximum output power for the configuration in the higher order modulation is $> \frac{1}{2}$ dB higher than the same configuration in QPSK or when the reported SAR for the QPSK configuration is > 1.45 W/kg.

e. Per Section 5.3, other channel bandwidth standalone SAR test requirements
For the other channel bandwidths used by the device in a frequency band, apply all the procedures required for the largest channel bandwidth in section 5.2 to determine the channels and RB configurations that need SAR testing and only measure SAR when the highest maximum output power of a configuration requiring testing in the smaller channel bandwidth is $> \frac{1}{2}$ dB higher than the equivalent channel configurations in the largest channel bandwidth configuration or the reported SAR of a configuration for the largest channel bandwidth is > 1.45 W/kg. The equivalent channel configuration for the RB allocation, RB offset and modulation etc. is determined for the smaller channel bandwidth according to the same number of RB allocated in the largest channel bandwidth.

- **LTE downlink CA:** The device supports a maximum of 2 carriers in the downlink. All uplink communications are identical to the Release 8 specifications. Uplink maximum output power is measured with downlink carrier aggregation active, only for the channel with highest measured maximum output power when downlink carrier aggregation is inactive, to confirm that when downlink carrier aggregation is active uplink maximum output power remains within the specified tune-up tolerance limits and not more than $\frac{1}{4}$ dB higher than the maximum output power measured when downlink carrier aggregation inactive. The downlink channels selected to perform the uplink power measurement must satisfy 3GPP channel spacing (5.4.1A of 3GPP TS 36.521 or equivalent) and channel bandwidth (5.4.2A) requirements. The nominal channel spacing is determined by $[BW1 + BW2 - 0.1 * |BW1 - BW2|] / 2$ MHz, where BW1 and BW2 are the channel bandwidths of the CC in a 2-CC aggregation configuration. The downlink PCC channel should be paired with the uplink channel according to normal configurations, as if there is no carrier aggregation. The downlink SCC should be adjacent to the PCC and remain within the downlink transmission band for contiguous intra-band CA. For non-contiguous intra-band CA, the SCC should be

Unless otherwise stated the results shown in this test report refer only to the sample(s) tested and such sample(s) are retained for 90 days only.

除非另有說明，此報告結果僅對測試之樣品負責，同時此樣品僅保留90天。本報告未經本公司書面許可，不可部份複製。

This document is issued by the Company subject to its General Conditions of Service printed overleaf, available on request or accessible at <http://www.sgs.com.tw/Terms-and-Conditions> and for electronic format documents, subject to Terms and Conditions for Electronic Documents at <http://www.sgs.com.tw/Terms-and-Conditions>. Attention is drawn to the limitation of liability, indemnification and jurisdiction issues defined therein. Any holder of this document is advised that information contained herein reflects the Company's findings at the time of its intervention only and within the limits of Client's instructions, if any. The Company's sole responsibility is to its Client and this document does not exonerate parties to a transaction from exercising all their rights and obligations under the transaction documents. This document cannot be reproduced except in full, without prior written approval of the Company. Any unauthorized alteration, forgery or falsification of the content or appearance of this document is unlawful and offenders may be prosecuted to the fullest extent of the law.

selected to provide maximum separation from the PCC and must remain fully within the downlink transmission band. For inter-band CA, the SCC should be near the middle of its transmission band. When downlink carrier aggregation is active uplink maximum output power remain within the specified tune-up tolerance limits and not more than $\frac{1}{4}$ dB higher than the maximum output power measured when downlink carrier aggregation inactive, so SAR evaluation is not required for downlink carrier aggregation.

- **LTE intra-band UL CA (contiguous):** The device supports LTE intra-band contiguous 2 UL CA. The maximum output power is measured for each UL CA configuration for the required test channels. UL PCC configuration is determined by the required test channel. SCC and subsequent CCs are added alternatively to either side of the PCC or within the transmission band for channels at the ends of a frequency band. SAR for UL CA is required in highest standalone head/body test position and frequency band combination. Since the maximum output for UL CA is \leq standalone LTE mode (without CA), PCC is configured according to the highest standalone SAR configuration tested, SCC and subsequent CCs are configured according to procedures used for power measurement and parameters (BW, RB etc.) similar to that used for the PCC.
- **5G NR:** SAR tests for NR bands and LTE anchor bands were performed separately due to limitations in SAR probe calibration factor. Due to test setup limitation, SAR testing for NR was performed using factory test mode software to establish the connection.
- **5G NR:** 5G NR Power/SAR procedure is similar with KDB 941225 D05. **a.** For power measurement reduction of DFT-s-OFDM and CP-OFDM, CP-OFDM will not higher than DFT-OFDM based on 3GPP MPR table, so CP-OFDM QPSK power measurement is spot check for 1RB allocation/1 RB offset configuration to ensure the output power will not $\frac{1}{2}$ dB higher than $P_{i/2}$ BPSK and QPSK. **b.** For power measurement reduction of DFT-s-OFDM, 16QAM/64QAM/256QAM will not higher than $P_{i/2}$ BPSK and QPSK based on 3GPP MPR table, so $P_{i/2}$ BPSK and QPSK are measured fully, and 16QAM is spot check 1RB allocation/1 RB offset configuration to ensure the output power will not $\frac{1}{2}$ dB higher than $P_{i/2}$ BPSK and QPSK. Smaller bandwidth output power will also follow the largest bandwidth to ensure output power will not $\frac{1}{2}$ dB higher than largest supported bandwidth. **c.** SAR testing start with the largest channel bandwidth and measure SAR for QPSK with 1 RB allocation, using the RB offset and required test channel combination with the highest maximum output power for RB offsets at the upper edge, middle and lower edge of each required test channel. **d.** 50% RB allocation for QPSK SAR testing follows 1RB QPSK allocation procedure. **e.** QPSK with 100% RB allocation, SAR is not required when the highest maximum output power for 100 % RB allocation is less than the highest maximum output power in 50% and 1 RB allocations and the highest reported SAR for 1 RB and 50% RB allocation are \leq 0.8 W/kg. Otherwise, SAR is measured for the highest output power channel; and if the reported SAR is $>$ 1.45 W/kg, the remaining required test channels must also be tested. **f.** 16QAM/64QAM/256QAM output powers according to 3GPP MPR will not $\frac{1}{2}$ dB higher than the same configuration in QPSK, also reported SAR for the

Unless otherwise stated the results shown in this test report refer only to the sample(s) tested and such sample(s) are retained for 90 days only.

除非另有說明，此報告結果僅對測試之樣品負責，同時此樣品僅保留90天。本報告未經本公司書面許可，不可部份複製。

This document is issued by the Company subject to its General Conditions of Service printed overleaf, available on request or accessible at <http://www.sgs.com.tw/Terms-and-Conditions> and for electronic format documents, subject to Terms and Conditions for Electronic Documents at <http://www.sgs.com.tw/Terms-and-Conditions>. Attention is drawn to the limitation of liability, indemnification and jurisdiction issues defined therein. Any holder of this document is advised that information contained herein reflects the Company's findings at the time of its intervention only and within the limits of Client's instructions, if any. The Company's sole responsibility is to its Client and this document does not exonerate parties to a transaction from exercising all their rights and obligations under the transaction documents. This document cannot be reproduced except in full, without prior written approval of the Company. Any unauthorized alteration, forgery or falsification of the content or appearance of this document is unlawful and offenders may be prosecuted to the fullest extent of the law.

QPSK configuration is less than 1.45 W/kg, 16QAM/64QAM/256QAM SAR testing are not required. **g.** Smaller bandwidth output power for each RB allocation configuration for this device will not ½ dB higher than the same configuration in the largest supported bandwidth, and the reported SAR for the largest supported bandwidth is ≤ 1.45 W/kg, smaller bandwidth SAR testing is not required for this device.

- **WLAN 2.4GHz:** 802.11b DSSS SAR Test Requirements: SAR is measured for 2.4 GHz 802.11b DSSS mode using the highest measured maximum output power channel, when the reported SAR of the highest measured maximum output power channel for the exposure configuration is ≤ 0.8 W/kg, no further SAR testing is required for 802.11b DSSS in that exposure configuration. When the reported SAR is > 0.8 W/kg, SAR is required for that exposure configuration using the next highest measured output power channel. When any reported SAR is > 1.2 W/kg, SAR is required for the third channel; i.e., all channels require testing.

- **WLAN 2.4GHz:** 802.11g/n OFDM SAR Test Exclusion Requirements: SAR is not required for 802.11g/n since the highest reported SAR for DSSS is adjusted by the ratio of OFDM to DSSS specified maximum output power and the adjusted SAR is ≤ 1.2 W/kg.

- **WLAN 5GHz:** Initial Test Configuration: An initial test configuration is determined for OFDM transmission modes according to the channel bandwidth, modulation and data rate combination(s) with the highest maximum output power specified for production units in each standalone and aggregated frequency band. SAR is measured using the highest measured maximum output power channel. When the reported SAR of the initial test configuration is > 0.8 W/kg, SAR measurement is required for the subsequent next highest measured output power channel(s) in the initial test configuration until the reported SAR is ≤ 1.2 W/kg or all required channels are tested. Since the highest reported SAR for the initial test configuration is adjusted by the ratio of the subsequent test configuration to initial test configuration specified maximum output power and the adjusted SAR is ≤ 1.2 W/kg, SAR is not required for subsequent test configuration.

- **Test exclusion for NFC:** Based on KDB447498D01v06 4.3.1 c), SAR test exclusion threshold for NFC (13.56MHz) shall be evaluated as below,
 - a) For test separation distances ≤ 50 mm, the power threshold determined by the equation in 4.3.1 c) 1) for 50 mm and 100 MHz is multiplied by ½
 - b) The power threshold at 50mm/100 MHz in 4.3.1 b) is multiplied by $[1 + \log(100/f(\text{MHz}))]$ where f is 13.56MHz
 - c) The power threshold in 4.3.1 b) is $[\text{Power allowed at numeric threshold for 50 mm in 4.3.1 a)} + [(\text{test separation distance} - 50 \text{ mm}) \cdot (f(\text{MHz})/150)] \text{ mW}$, for 100 MHz to 1500 MHz where test separation distance is 50mm, frequency is 100MHz.
 - d) Power allowed at numeric threshold for 50 mm in 4.3.1 a) is $[3/\sqrt{f(\text{GHz})}] \cdot (\text{test separation distance})$

Hence, SAR test exclusion threshold is calculated in reverse sequence:

$$\text{d) : } [3/\sqrt{0.1}] \cdot 50 = 474.3416\text{mW}$$

$$\text{c) : } 474.3416 + (50-50) \cdot (100/150) = 474.3416\text{mW}$$

$$\text{b) : } 474.3416 \cdot [1 + \log(100/13.56)] = 885.9470\text{mW}$$

Unless otherwise stated the results shown in this test report refer only to the sample(s) tested and such sample(s) are retained for 90 days only.

除非另有說明，此報告結果僅對測試之樣品負責，同時此樣品僅保留90天。本報告未經本公司書面許可，不可部份複製。

This document is issued by the Company subject to its General Conditions of Service printed overleaf, available on request or accessible at <http://www.sgs.com.tw/Terms-and-Conditions> and for electronic format documents, subject to Terms and Conditions for Electronic Documents at <http://www.sgs.com.tw/Terms-and-Conditions>. Attention is drawn to the limitation of liability, indemnification and jurisdiction issues defined therein. Any holder of this document is advised that information contained hereon reflects the Company's findings at the time of its intervention only and within the limits of Client's instructions, if any. The Company's sole responsibility is to its Client and this document does not exonerate parties to a transaction from exercising all their rights and obligations under the transaction documents. This document cannot be reproduced except in full, without prior written approval of the Company. Any unauthorized alteration, forgery or falsification of the content or appearance of this document is unlawful and offenders may be prosecuted to the fullest extent of the law.

a) : $885.9470 \cdot 0.5 = 442.974\text{mW}$

So the SAR test exclusion power threshold for NFC(13.56MHz) is 442.974mW(equal to 26.464dBm).

Also, the maximum power of NFC is -71.47dBm (converted from 23.76 dBuV/m at 3m) and it is far below the exclusion threshold (26.464dBm), so SAR test for NFC can be excluded.

- **Estimated SAR for NFC:** Based on KDB447498D01v06 4.3.2 b), when an antenna qualifies for the standalone SAR test exclusion of 4.3.1 and also transmits simultaneously with other antennas, the standalone SAR value must be estimated according to the following to determine the simultaneous transmission SAR test exclusion criteria:

1) $[(\text{max. power of channel, including tune-up tolerance, mW}) / (\text{min. test separation distance, mm})] \cdot [\sqrt{f(\text{GHz})/x}] \text{ W/kg}$, for test separation distances ≤ 50 mm, where $x = 7.5$ for 1-g SAR and $x = 18.75$ for 10-g SAR.

Using the most conservative test separation distance 5mm, so the estimated 1g-SAR for NFC would be 0.00000000221 W/Kg.

$[0.0000000713/5] \cdot [\sqrt{0.01356/7.5}] = 0.00000000221 \text{ W/Kg}$

Unless otherwise stated the results shown in this test report refer only to the sample(s) tested and such sample(s) are retained for 90 days only.
除非另有說明，此報告結果僅對測試之樣品負責，同時此樣品僅保留90天。本報告未經本公司書面許可，不可部份複製。

This document is issued by the Company subject to its General Conditions of Service printed overleaf, available on request or accessible at <http://www.sgs.com.tw/Terms-and-Conditions> and for electronic format documents, subject to Terms and Conditions for Electronic Documents at <http://www.sgs.com.tw/Terms-and-Conditions>. Attention is drawn to the limitation of liability, indemnification and jurisdiction issues defined therein. Any holder of this document is advised that information contained hereon reflects the Company's findings at the time of its intervention only and within the limits of Client's instructions, if any. The Company's sole responsibility is to its Client and this document does not exonerate parties to a transaction from exercising all their rights and obligations under the transaction documents. This document cannot be reproduced except in full, without prior written approval of the Company. Any unauthorized alteration, forgery or falsification of the content or appearance of this document is unlawful and offenders may be prosecuted to the fullest extent of the law.

4.3 Test position

Body SAR_5mm

Based on KDB 941225 D07v01r02, the device is belong to UMPC mini-tablet device and SAR is tested for 1-g SAR on all surfaces and side edges with a transmitting antenna located at ≤ 25 mm from that surface or edge, at 5 mm separation from a flat phantom, to determine SAR compliance.

Unless otherwise stated the results shown in this test report refer only to the sample(s) tested and such sample(s) are retained for 90 days only.
除非另有說明，此報告結果僅對測試之樣品負責，同時此樣品僅保留90天。本報告未經本公司書面許可，不可部份複製。

This document is issued by the Company subject to its General Conditions of Service printed overleaf, available on request or accessible at <http://www.sgs.com.tw/Terms-and-Conditions> and for electronic format documents, subject to Terms and Conditions for Electronic Documents at <http://www.sgs.com.tw/Terms-and-Conditions>. Attention is drawn to the limitation of liability, indemnification and jurisdiction issues defined therein. Any holder of this document is advised that information contained hereon reflects the Company's findings at the time of its intervention only and within the limits of Client's instructions, if any. The Company's sole responsibility is to its Client and this document does not exonerate parties to a transaction from exercising all their rights and obligations under the transaction documents. This document cannot be reproduced except in full, without prior written approval of the Company. Any unauthorized alteration, forgery or falsification of the content or appearance of this document is unlawful and offenders may be prosecuted to the fullest extent of the law.

§ 2.1093(d)(1)

Applications for equipment authorization of portable RF sources subject to routine environmental evaluation must contain a statement confirming compliance with the limits specified in § 1.1310 as part of their application. Technical information showing the basis for this statement must be submitted to the Commission upon request. The SAR limits specified in § 1.1310(a) through (c) of this chapter shall be used for evaluation of portable devices transmitting in the frequency range from 100 kHz to 6 GHz. Portable devices that transmit at frequencies above 6 GHz shall be evaluated in terms of the MPE limits specified in Table 1 to § 1.1310(e)(1). A minimum separation distance applicable to the operating configurations and exposure conditions of the device shall be used for the evaluation. In general, maximum time-averaged power levels must be used for evaluation. All unlicensed personal communications service (PCS) devices and unlicensed NII devices shall be subject to the limits for general population/uncontrolled exposure.

Radiofrequency radiation exposure limits.

§ 1.1310(a)

Specific absorption rate (SAR) shall be used to evaluate the environmental impact of human exposure to radiofrequency (RF) radiation as specified in § 1.1307(b) within the frequency range of 100 kHz to 6 GHz (inclusive).

§ 1.1310(b)

The SAR limits for occupational/controlled exposure are 0.4 W/kg, as averaged over the whole body, and a peak spatial-average SAR of 8 W/kg, averaged over any 1 gram of tissue (defined as a tissue volume in the shape of a cube). Exceptions are the parts of the human body treated as extremities, such as hands, wrists, feet, ankles, and pinnae, where the peak spatial-average SAR limit for occupational/controlled exposure is 20 W/kg, averaged over any 10 grams of tissue (defined as a tissue volume in the shape of a cube). Exposure may be averaged over a time period not to exceed 6 minutes to determine compliance with occupational/controlled SAR limits.

§ 1.1310(c)

The SAR limits for general population/uncontrolled exposure are 0.08 W/kg, as averaged over the whole body, and a peak spatial-average SAR of 1.6 W/kg, averaged over any 1 gram of tissue (defined as a tissue volume in the shape of a cube). Exceptions are the parts of the human body treated as extremities, such as hands, wrists, feet, ankles, and pinnae, where the peak spatial-average SAR limit is 4 W/kg, averaged over any 10 grams of tissue (defined as a tissue volume in the shape of a cube). Exposure may be averaged over a time period not to exceed 30 minutes to determine compliance with general population/uncontrolled SAR limits.

Unless otherwise stated the results shown in this test report refer only to the sample(s) tested and such sample(s) are retained for 90 days only.

除非另有說明，此報告結果僅對測試之樣品負責，同時此樣品僅保留90天。本報告未經本公司書面許可，不可部份複製。

This document is issued by the Company subject to its General Conditions of Service printed overleaf, available on request or accessible at <http://www.sgs.com.tw/Terms-and-Conditions> and for electronic format documents, subject to Terms and Conditions for Electronic Documents at <http://www.sgs.com.tw/Terms-and-Conditions>. Attention is drawn to the limitation of liability, indemnification and jurisdiction issues defined therein. Any holder of this document is advised that information contained hereon reflects the Company's findings at the time of its intervention only and within the limits of Client's instructions, if any. The Company's sole responsibility is to its Client and this document does not exonerate parties to a transaction from exercising all their rights and obligations under the transaction documents. This document cannot be reproduced except in full, without prior written approval of the Company. Any unauthorized alteration, forgery or falsification of the content or appearance of this document is unlawful and offenders may be prosecuted to the fullest extent of the law.

Note to paragraphs (a) through (c):

SAR is a measure of the rate of energy absorption due to exposure to RF electromagnetic energy. These SAR limits to be used for evaluation are based generally on criteria published by the American National Standards Institute (ANSI) for localized SAR in [Section 4.2](#) of "IEEE Standard for Safety Levels with Respect to Human Exposure to Radio Frequency Electromagnetic Fields, 3 kHz to 300 GHz," ANSI/IEEE Std C95.1-1992, copyright 1992 by the Institute of Electrical and Electronics Engineers, Inc., New York, New York 10017. These criteria for SAR evaluation are similar to those recommended by the National Council on Radiation Protection and Measurements (NCRP) in "Biological Effects and Exposure Criteria for Radiofrequency Electromagnetic Fields," NCRP Report No. 86, [Section 17.4.5](#), copyright 1986 by NCRP, Bethesda, Maryland 20814. Limits for whole body SAR and peak spatial-average SAR are based on recommendations made in both of these documents. The MPE limits in Table 1 are based generally on criteria published by the NCRP in "Biological Effects and Exposure Criteria for Radiofrequency Electromagnetic Fields," NCRP Report No. 86, Sections 17.4.1, 17.4.1.1, 17.4.2 and 17.4.3, copyright 1986 by NCRP, Bethesda, Maryland 20814. In the frequency range from 100 MHz to 1500 MHz, these MPE exposure limits for field strength and power density are also generally based on criteria recommended by the ANSI in [Section 4.1](#) of "IEEE Standard for Safety Levels with Respect to Human Exposure to Radio Frequency Electromagnetic Fields, 3 kHz to 300 GHz," ANSI/IEEE Std C95.1-1992, copyright 1992 by the Institute of Electrical and Electronics Engineers, Inc., New York, New York 10017.

Portable devices that transmit at frequencies above 6 GHz shall be evaluated in terms of the MPE limits specified in Table 1 to [§ 1.1310\(e\)\(1\)](#).

According to ANSI/IEEE C95.1-1992, the criteria listed in the following Table shall be used to evaluate the environmental impact of human exposure to radio frequency (RF) radiation as specified in §1.1310.

Peak Spatially Averaged Power Density was evaluated over a circular area of 4cm² per interim FCC Guidance for near-field power density evaluations per October 2018 TCB Workshop notes

Unless otherwise stated the results shown in this test report refer only to the sample(s) tested and such sample(s) are retained for 90 days only.

除非另有說明，此報告結果僅對測試之樣品負責，同時此樣品僅保留90天。本報告未經本公司書面許可，不可部份複製。

This document is issued by the Company subject to its General Conditions of Service printed overleaf, available on request or accessible at <http://www.sgs.com.tw/Terms-and-Conditions> and for electronic format documents, subject to Terms and Conditions for Electronic Documents at <http://www.sgs.com.tw/Terms-and-Conditions>. Attention is drawn to the limitation of liability, indemnification and jurisdiction issues defined therein. Any holder of this document is advised that information contained hereon reflects the Company's findings at the time of its intervention only and within the limits of Client's instructions, if any. The Company's sole responsibility is to its Client and this document does not exonerate parties to a transaction from exercising all their rights and obligations under the transaction documents. This document cannot be reproduced except in full, without prior written approval of the Company. Any unauthorized alteration, forgery or falsification of the content or appearance of this document is unlawful and offenders may be prosecuted to the fullest extent of the law.

Frequency range (MHz)	Electric field strength (V/m)	Magnetic field strength (A/m)	Power density (mW/cm ²)	Averaging time (minutes)
(i) Limits for Occupational/Controlled Exposure				
0.3-3.0	614	1.63	*(100)	≤6
3.0-30	1842/f	4.89/f	*(900/f ²)	<6
30-300	61.4	0.163	1.0	<6
300-1,500			f/300	<6
1,500-100,000			5	<6
(ii) Limits for General Population/Uncontrolled Exposure				
0.3-1.34	614	1.63	*(100)	<30
1.34-30	824/f	2.19/f	*(180/f ²)	<30
30-300	27.5	0.073	0.2	<30
300-1,500			f/1500	<30
1,500-100,000			1.0	<30

f = frequency in MHz. * = Plane-wave equivalent power density.

Table 1 to § 1.1310(e)(1) - Limits for Maximum Permissible Exposure (MPE)

Unless otherwise stated the results shown in this test report refer only to the sample(s) tested and such sample(s) are retained for 90 days only.

除非另有說明，此報告結果僅對測試之樣品負責，同時此樣品僅保留90天。本報告未經本公司書面許可，不可部份複製。

This document is issued by the Company subject to its General Conditions of Service printed overleaf, available on request or accessible at <http://www.sgs.com.tw/Terms-and-Conditions> and for electronic format documents, subject to Terms and Conditions for Electronic Documents at <http://www.sgs.com.tw/Terms-and-Conditions>. Attention is drawn to the limitation of liability, indemnification and jurisdiction issues defined therein. Any holder of this document is advised that information contained hereon reflects the Company's findings at the time of its intervention only and within the limits of Client's instructions, if any. The Company's sole responsibility is to its Client and this document does not exonerate parties to a transaction from exercising all their rights and obligations under the transaction documents. This document cannot be reproduced except in full, without prior written approval of the Company. Any unauthorized alteration, forgery or falsification of the content or appearance of this document is unlawful and offenders may be prosecuted to the fullest extent of the law.

5 MAXIMUM OUTPUT POWER

5.1 FDD LTE

ANTO

LTE Band 2								
BW(MHz)	Modulation	RB Size	RB Offset	Conducted power (dBm)			Target Power + Max. Tolerance (dBm)	MPR Allowed per 3GPP(dB)
Frequency (MHz)				1860	1880	1900		
Channel				18700	18900	19100		
20	QPSK	1	0	22.72	22.68	22.75	23.00	0
		1	50	22.49	22.53	22.51	23.00	0
		1	99	22.52	22.55	22.70	23.00	0
		50	0	21.58	21.56	21.64	22.00	1
		50	25	21.54	21.54	21.54	22.00	1
		50	50	21.56	21.52	21.49	22.00	1
		100	0	21.60	21.49	21.62	22.00	1
20	16-QAM	1	0	21.54	21.48	21.57	22.00	1
		1	50	21.56	21.47	21.65	22.00	1
		1	99	21.52	21.53	21.64	22.00	1
		50	0	20.60	20.42	20.46	21.00	2
		50	25	20.58	20.55	20.64	21.00	2
		50	50	20.62	20.57	20.49	21.00	2
		100	0	20.65	20.44	20.57	21.00	2
20	64-QAM	1	0	20.63	20.50	20.62	21.00	2
		1	50	20.53	20.47	20.57	21.00	2
		1	99	20.53	20.42	20.47	21.00	2
		50	0	19.58	19.47	19.57	20.00	3
		50	25	19.66	19.57	19.59	20.00	3
		50	50	19.58	19.57	19.57	20.00	3
		100	0	19.69	19.57	19.63	20.00	3
20	256-QAM	1	0	19.55	19.54	19.60	20.00	3
		1	50	19.54	19.56	19.48	20.00	3
		1	99	19.66	19.52	19.60	20.00	3
		50	0	18.55	18.53	18.71	19.00	4
		50	25	18.53	18.47	18.45	19.00	4
		50	50	18.65	18.58	18.60	19.00	4
		100	0	18.46	18.55	18.69	19.00	4

Unless otherwise stated the results shown in this test report refer only to the sample(s) tested and such sample(s) are retained for 90 days only.

除非另有說明，此報告結果僅對測試之樣品負責，同時此樣品僅保留90天。本報告未經本公司書面許可，不可部份複製。

This document is issued by the Company subject to its General Conditions of Service printed overleaf, available on request or accessible at <http://www.sgs.com.tw/Terms-and-Conditions> and for electronic format documents, subject to Terms and Conditions for Electronic Documents at <http://www.sgs.com.tw/Terms-and-Conditions>. Attention is drawn to the limitation of liability, indemnification and jurisdiction issues defined therein. Any holder of this document is advised that information contained hereon reflects the Company's findings at the time of its intervention only and within the limits of Client's instructions, if any. The Company's sole responsibility is to its Client and this document does not exonerate parties to a transaction from exercising all their rights and obligations under the transaction documents. This document cannot be reproduced except in full, without prior written approval of the Company. Any unauthorized alteration, forgery or falsification of the content or appearance of this document is unlawful and offenders may be prosecuted to the fullest extent of the law.

LTE Band 2								
BW(MHz)	Modulation	RB Size	RB Offset	Conducted power (dBm)			Target Power + Max. Tolerance (dBm)	MPR Allowed per 3GPP(dB)
Frequency (MHz)				1857.5	1880	1902.5		
Channel				18675	18900	19125		
15	QPSK	1	0	22.49	22.43	22.53	23.00	0
		1	36	22.55	22.54	22.56	23.00	0
		1	74	22.60	22.50	22.69	23.00	0
		36	0	21.56	21.48	21.59	22.00	1
		36	18	21.57	21.45	21.58	22.00	1
		36	37	21.53	21.51	21.63	22.00	1
15	16-QAM	75	0	21.57	21.49	21.53	22.00	1
		1	0	21.49	21.52	21.55	22.00	1
		1	36	21.52	21.56	21.63	22.00	1
		1	74	21.56	21.57	21.62	22.00	1
		36	0	20.53	20.52	20.51	21.00	2
		36	18	20.56	20.62	20.53	21.00	2
15	64-QAM	36	37	20.55	20.54	20.62	21.00	2
		75	0	20.54	20.64	20.56	21.00	2
		1	0	20.50	20.58	20.52	21.00	2
		1	36	20.63	20.57	20.58	21.00	2
		1	74	20.42	20.62	20.53	21.00	2
		36	0	19.60	19.54	19.51	20.00	3
15	256-QAM	36	18	19.62	19.61	19.56	20.00	3
		36	37	19.54	19.58	19.48	20.00	3
		75	0	19.60	19.51	19.64	20.00	3
		1	0	19.55	19.47	19.56	20.00	3
		1	36	19.49	19.56	19.67	20.00	3
		1	74	19.59	19.44	19.62	20.00	3
15	256-QAM	36	0	18.59	18.53	18.56	19.00	4
		36	18	18.54	18.57	18.63	19.00	4
		36	37	18.57	18.54	18.68	19.00	4
		75	0	18.70	18.42	18.54	19.00	4

Unless otherwise stated the results shown in this test report refer only to the sample(s) tested and such sample(s) are retained for 90 days only.

除非另有說明，此報告結果僅對測試之樣品負責，同時此樣品僅保留90天。本報告未經本公司書面許可，不可部份複製。

This document is issued by the Company subject to its General Conditions of Service printed overleaf, available on request or accessible at <http://www.sgs.com.tw/Terms-and-Conditions> and for electronic format documents, subject to Terms and Conditions for Electronic Documents at <http://www.sgs.com.tw/Terms-and-Conditions>. Attention is drawn to the limitation of liability, indemnification and jurisdiction issues defined therein. Any holder of this document is advised that information contained hereon reflects the Company's findings at the time of its intervention only and within the limits of Client's instructions, if any. The Company's sole responsibility is to its Client and this document does not exonerate parties to a transaction from exercising all their rights and obligations under the transaction documents. This document cannot be reproduced except in full, without prior written approval of the Company. Any unauthorized alteration, forgery or falsification of the content or appearance of this document is unlawful and offenders may be prosecuted to the fullest extent of the law.

LTE Band 2								
BW(MHz)	Modulation	RB Size	RB Offset	Conducted power (dBm)			Target Power + Max. Tolerance (dBm)	MPR Allowed per 3GPP(dB)
Frequency (MHz)			1855	1880	1905			
Channel			18650	18900	19150			
10	QPSK	1	0	22.47	22.63	22.60	23.00	0
		1	25	22.63	22.48	22.58	23.00	0
		1	49	22.62	22.53	22.63	23.00	0
		25	0	21.49	21.60	21.60	22.00	1
		25	12	21.60	21.39	21.56	22.00	1
		25	25	21.60	21.60	21.63	22.00	1
10	16-QAM	50	0	21.49	21.55	21.68	22.00	1
		1	0	21.55	21.50	21.60	22.00	1
		1	25	21.55	21.51	21.64	22.00	1
		1	49	21.55	21.56	21.48	22.00	1
		25	0	20.44	20.43	20.65	21.00	2
		25	12	20.58	20.50	20.53	21.00	2
10	64-QAM	25	25	20.52	20.56	20.65	21.00	2
		50	0	20.48	20.58	20.62	21.00	2
		1	0	20.51	20.55	20.52	21.00	2
		1	25	20.52	20.62	20.58	21.00	2
		1	49	20.50	20.38	20.62	21.00	2
		25	0	19.51	19.61	19.57	20.00	3
10	256-QAM	25	12	19.52	19.47	19.56	20.00	3
		25	25	19.56	19.39	19.68	20.00	3
		50	0	19.51	19.60	19.47	20.00	3
		1	0	19.56	19.53	19.58	20.00	3
		1	25	19.61	19.52	19.55	20.00	3
		1	49	19.55	19.62	19.45	20.00	3
10	256-QAM	25	0	18.61	18.65	18.64	19.00	4
		25	12	18.56	18.49	18.54	19.00	4
		25	25	18.57	18.53	18.58	19.00	4
		50	0	18.52	18.60	18.57	19.00	4

Unless otherwise stated the results shown in this test report refer only to the sample(s) tested and such sample(s) are retained for 90 days only.

除非另有說明，此報告結果僅對測試之樣品負責，同時此樣品僅保留90天。本報告未經本公司書面許可，不可部份複製。

This document is issued by the Company subject to its General Conditions of Service printed overleaf, available on request or accessible at <http://www.sgs.com.tw/Terms-and-Conditions> and for electronic format documents, subject to Terms and Conditions for Electronic Documents at <http://www.sgs.com.tw/Terms-and-Conditions>. Attention is drawn to the limitation of liability, indemnification and jurisdiction issues defined therein. Any holder of this document is advised that information contained hereon reflects the Company's findings at the time of its intervention only and within the limits of Client's instructions, if any. The Company's sole responsibility is to its Client and this document does not exonerate parties to a transaction from exercising all their rights and obligations under the transaction documents. This document cannot be reproduced except in full, without prior written approval of the Company. Any unauthorized alteration, forgery or falsification of the content or appearance of this document is unlawful and offenders may be prosecuted to the fullest extent of the law.

LTE Band 2								
BW(MHz)	Modulation	RB Size	RB Offset	Conducted power (dBm)			Target Power + Max. Tolerance (dBm)	MPR Allowed per 3GPP(dB)
Frequency (MHz)				1852.5	1880	1907.5		
Channel				18625	18900	19175		
5	QPSK	1	0	22.66	22.54	22.66	23.00	0
		1	12	22.59	22.40	22.61	23.00	0
		1	24	22.60	22.47	22.51	23.00	0
		12	0	21.59	21.63	21.52	22.00	1
		12	6	21.56	21.55	21.56	22.00	1
		12	13	21.54	21.46	21.69	22.00	1
5	16-QAM	25	0	21.56	21.46	21.56	22.00	1
		1	0	21.61	21.51	21.59	22.00	1
		1	12	21.60	21.48	21.70	22.00	1
		1	24	21.54	21.54	21.65	22.00	1
		12	0	20.53	20.49	20.62	21.00	2
		12	6	20.51	20.51	20.66	21.00	2
5	64-QAM	12	13	20.59	20.52	20.63	21.00	2
		25	0	20.57	20.41	20.55	21.00	2
		1	0	20.66	20.55	20.60	21.00	2
		1	12	20.54	20.51	20.59	21.00	2
		1	24	20.50	20.65	20.56	21.00	2
		12	0	19.48	19.51	19.63	20.00	3
5	256-QAM	12	6	19.64	19.50	19.56	20.00	3
		12	13	19.61	19.48	19.58	20.00	3
		25	0	19.61	19.46	19.55	20.00	3
		1	0	19.60	19.55	19.53	20.00	3
		1	12	19.50	19.54	19.54	20.00	3
		1	24	19.60	19.56	19.56	20.00	3
5	256-QAM	12	0	18.53	18.48	18.55	19.00	4
		12	6	18.51	18.47	18.62	19.00	4
		12	13	18.48	18.50	18.54	19.00	4
		25	0	18.49	18.55	18.59	19.00	4

Unless otherwise stated the results shown in this test report refer only to the sample(s) tested and such sample(s) are retained for 90 days only.

除非另有說明，此報告結果僅對測試之樣品負責，同時此樣品僅保留90天。本報告未經本公司書面許可，不可部份複製。

This document is issued by the Company subject to its General Conditions of Service printed overleaf, available on request or accessible at <http://www.sgs.com.tw/Terms-and-Conditions> and for electronic format documents, subject to Terms and Conditions for Electronic Documents at <http://www.sgs.com.tw/Terms-and-Conditions>. Attention is drawn to the limitation of liability, indemnification and jurisdiction issues defined therein. Any holder of this document is advised that information contained hereon reflects the Company's findings at the time of its intervention only and within the limits of Client's instructions, if any. The Company's sole responsibility is to its Client and this document does not exonerate parties to a transaction from exercising all their rights and obligations under the transaction documents. This document cannot be reproduced except in full, without prior written approval of the Company. Any unauthorized alteration, forgery or falsification of the content or appearance of this document is unlawful and offenders may be prosecuted to the fullest extent of the law.

LTE Band 2								
BW(MHz)	Modulation	RB Size	RB Offset	Conducted power (dBm)			Target Power + Max. Tolerance (dBm)	MPR Allowed per 3GPP(dB)
Frequency (MHz)			1851.5	1880	1908.5			
Channel			18615	18900	19185			
3	QPSK	1	0	22.60	22.39	22.60	23.00	0
		1	7	22.60	22.41	22.60	23.00	0
		1	14	22.55	22.55	22.59	23.00	0
		8	0	21.61	21.51	21.71	22.00	1
		8	4	21.60	21.54	21.52	22.00	1
		8	7	21.61	21.62	21.51	22.00	1
3	16-QAM	15	0	21.45	21.45	21.50	22.00	1
		1	0	21.47	21.60	21.63	22.00	1
		1	7	21.52	21.55	21.47	22.00	1
		1	14	21.49	21.47	21.60	22.00	1
		8	0	20.66	20.60	20.69	21.00	2
		8	4	20.45	20.53	20.58	21.00	2
3	64-QAM	8	7	20.47	20.47	20.64	21.00	2
		15	0	20.60	20.42	20.64	21.00	2
		1	0	20.69	20.57	20.53	21.00	2
		1	7	20.69	20.53	20.61	21.00	2
		1	14	20.61	20.66	20.54	21.00	2
		8	0	19.59	19.58	19.46	20.00	3
3	256-QAM	8	4	19.56	19.50	19.62	20.00	3
		8	7	19.50	19.49	19.49	20.00	3
		15	0	19.62	19.54	19.56	20.00	3
		1	0	19.64	19.60	19.59	20.00	3
		1	7	19.48	19.47	19.60	20.00	3
		1	14	19.62	19.42	19.47	20.00	3
3	256-QAM	8	0	18.64	18.55	18.58	19.00	4
		8	4	18.62	18.51	18.50	19.00	4
		8	7	18.52	18.44	18.56	19.00	4
		15	0	18.58	18.53	18.62	19.00	4

Unless otherwise stated the results shown in this test report refer only to the sample(s) tested and such sample(s) are retained for 90 days only.

除非另有說明，此報告結果僅對測試之樣品負責，同時此樣品僅保留90天。本報告未經本公司書面許可，不可部份複製。

This document is issued by the Company subject to its General Conditions of Service printed overleaf, available on request or accessible at <http://www.sgs.com.tw/Terms-and-Conditions> and for electronic format documents, subject to Terms and Conditions for Electronic Documents at <http://www.sgs.com.tw/Terms-and-Conditions>. Attention is drawn to the limitation of liability, indemnification and jurisdiction issues defined therein. Any holder of this document is advised that information contained hereon reflects the Company's findings at the time of its intervention only and within the limits of Client's instructions, if any. The Company's sole responsibility is to its Client and this document does not exonerate parties to a transaction from exercising all their rights and obligations under the transaction documents. This document cannot be reproduced except in full, without prior written approval of the Company. Any unauthorized alteration, forgery or falsification of the content or appearance of this document is unlawful and offenders may be prosecuted to the fullest extent of the law.

LTE Band 2								
BW(MHz)	Modulation	RB Size	RB Offset	Conducted power (dBm)			Target Power + Max. Tolerance (dBm)	MPR Allowed per 3GPP(dB)
Frequency (MHz)			1850.7	1880	1909.3			
Channel			18607	18900	19193			
1.4	QPSK	1	0	22.60	22.44	22.71	23.00	0
		1	2	22.67	22.45	22.49	23.00	0
		1	5	22.56	22.50	22.60	23.00	0
		3	0	22.57	22.54	22.64	23.00	0
		3	2	22.58	22.48	22.59	23.00	0
		3	3	22.55	22.41	22.63	23.00	0
1.4	16-QAM	6	0	21.69	21.50	21.60	22.00	1
		1	0	21.63	21.50	21.55	22.00	1
		1	2	21.52	21.42	21.57	22.00	1
		1	5	21.56	21.42	21.58	22.00	1
		3	0	21.69	21.45	21.71	22.00	1
		3	2	21.66	21.59	21.48	22.00	1
1.4	64-QAM	3	3	21.57	21.53	21.52	22.00	1
		6	0	20.55	20.51	20.68	21.00	2
		1	0	20.54	20.64	20.54	21.00	2
		1	2	20.66	20.57	20.60	21.00	2
		1	5	20.53	20.63	20.61	21.00	2
		3	0	20.65	20.57	20.57	21.00	2
1.4	256-QAM	3	2	20.59	20.51	20.62	21.00	2
		3	3	20.68	20.51	20.47	21.00	2
		6	0	19.58	19.60	19.63	20.00	3
		1	0	19.57	19.48	19.70	20.00	3
		1	2	19.55	19.46	19.55	20.00	3
		1	5	19.67	19.50	19.53	20.00	3
1.4	256-QAM	3	0	19.46	19.51	19.50	20.00	3
		3	2	19.66	19.58	19.54	20.00	3
		3	3	19.59	19.48	19.50	20.00	3
		6	0	18.67	18.51	18.53	19.00	4

Unless otherwise stated the results shown in this test report refer only to the sample(s) tested and such sample(s) are retained for 90 days only.

除非另有說明，此報告結果僅對測試之樣品負責，同時此樣品僅保留90天。本報告未經本公司書面許可，不可部份複製。

This document is issued by the Company subject to its General Conditions of Service printed overleaf, available on request or accessible at <http://www.sgs.com.tw/Terms-and-Conditions> and for electronic format documents, subject to Terms and Conditions for Electronic Documents at <http://www.sgs.com.tw/Terms-and-Conditions>. Attention is drawn to the limitation of liability, indemnification and jurisdiction issues defined therein. Any holder of this document is advised that information contained hereon reflects the Company's findings at the time of its intervention only and within the limits of Client's instructions, if any. The Company's sole responsibility is to its Client and this document does not exonerate parties to a transaction from exercising all their rights and obligations under the transaction documents. This document cannot be reproduced except in full, without prior written approval of the Company. Any unauthorized alteration, forgery or falsification of the content or appearance of this document is unlawful and offenders may be prosecuted to the fullest extent of the law.

LTE Band 4								
BW(MHz)	Modulation	RB Size	RB Offset	Conducted power (dBm)			Target Power + Max. Tolerance (dBm)	MPR Allowed per 3GPP(dB)
Frequency (MHz)				1720	1732.5	1745		
Channel				20050	20175	20300		
20	QPSK	1	0	22.69	22.78	22.79	23.00	0
		1	50	22.51	22.73	22.58	23.00	0
		1	99	22.60	22.62	22.74	23.00	0
		50	0	21.50	21.63	21.62	22.00	1
		50	25	21.52	21.68	21.56	22.00	1
		50	50	21.56	21.57	21.62	22.00	1
20	16-QAM	100	0	21.52	21.72	21.61	22.00	1
		1	0	21.48	21.58	21.59	22.00	1
		1	50	21.52	21.60	21.63	22.00	1
		1	99	21.43	21.58	21.59	22.00	1
		50	0	20.47	20.63	20.55	21.00	2
		50	25	20.52	20.73	20.66	21.00	2
20	64-QAM	50	50	20.48	20.57	20.63	21.00	2
		100	0	20.41	20.70	20.53	21.00	2
		1	0	20.51	20.62	20.63	21.00	2
		1	50	20.57	20.72	20.63	21.00	2
		1	99	20.56	20.60	20.72	21.00	2
		50	0	19.60	19.53	19.77	20.00	3
20	256-QAM	50	25	19.41	19.64	19.64	20.00	3
		50	50	19.51	19.68	19.64	20.00	3
		100	0	19.50	19.73	19.51	20.00	3
		1	0	19.58	19.59	19.59	20.00	3
		1	50	19.60	19.65	19.64	20.00	3
		1	99	19.39	19.66	19.65	20.00	3
20	256-QAM	50	0	18.46	18.73	18.73	19.00	4
		50	25	18.54	18.51	18.65	19.00	4
		50	50	18.61	18.56	18.60	19.00	4
		100	0	18.48	18.53	18.63	19.00	4

Unless otherwise stated the results shown in this test report refer only to the sample(s) tested and such sample(s) are retained for 90 days only.

除非另有說明，此報告結果僅對測試之樣品負責，同時此樣品僅保留90天。本報告未經本公司書面許可，不可部份複製。

This document is issued by the Company subject to its General Conditions of Service printed overleaf, available on request or accessible at <http://www.sgs.com.tw/Terms-and-Conditions> and for electronic format documents, subject to Terms and Conditions for Electronic Documents at <http://www.sgs.com.tw/Terms-and-Conditions>. Attention is drawn to the limitation of liability, indemnification and jurisdiction issues defined therein. Any holder of this document is advised that information contained hereon reflects the Company's findings at the time of its intervention only and within the limits of Client's instructions, if any. The Company's sole responsibility is to its Client and this document does not exonerate parties to a transaction from exercising all their rights and obligations under the transaction documents. This document cannot be reproduced except in full, without prior written approval of the Company. Any unauthorized alteration, forgery or falsification of the content or appearance of this document is unlawful and offenders may be prosecuted to the fullest extent of the law.

LTE Band 4								
BW(MHz)	Modulation	RB Size	RB Offset	Conducted power (dBm)			Target Power + Max. Tolerance (dBm)	MPR Allowed per 3GPP(dB)
Frequency (MHz)				1717.5	1732.5	1747.5		
Channel				20025	20175	20325		
15	QPSK	1	0	22.51	22.65	22.61	23.00	0
		1	36	22.60	22.59	22.70	23.00	0
		1	74	22.41	22.65	22.55	23.00	0
		36	0	21.49	21.66	21.58	22.00	1
		36	18	21.57	21.70	21.59	22.00	1
		36	37	21.48	21.60	21.71	22.00	1
15	16-QAM	75	0	21.59	21.59	21.69	22.00	1
		1	0	21.58	21.68	21.56	22.00	1
		1	36	21.45	21.69	21.58	22.00	1
		1	74	21.60	21.52	21.65	22.00	1
		36	0	20.55	20.53	20.55	21.00	2
		36	18	20.59	20.71	20.62	21.00	2
15	64-QAM	36	37	20.67	20.65	20.65	21.00	2
		75	0	20.52	20.67	20.61	21.00	2
		1	0	20.58	20.67	20.70	21.00	2
		1	36	20.41	20.63	20.63	21.00	2
		1	74	20.46	20.62	20.73	21.00	2
		36	0	19.47	19.63	19.65	20.00	3
15	256-QAM	36	18	19.50	19.64	19.54	20.00	3
		36	37	19.48	19.65	19.58	20.00	3
		75	0	19.52	19.65	19.65	20.00	3
		1	0	19.56	19.61	19.73	20.00	3
		1	36	19.47	19.50	19.56	20.00	3
		1	74	19.63	19.61	19.69	20.00	3
15	256-QAM	36	0	18.54	18.64	18.53	19.00	4
		36	18	18.56	18.65	18.57	19.00	4
		36	37	18.58	18.53	18.59	19.00	4
		75	0	18.44	18.69	18.67	19.00	4

Unless otherwise stated the results shown in this test report refer only to the sample(s) tested and such sample(s) are retained for 90 days only.

除非另有說明，此報告結果僅對測試之樣品負責，同時此樣品僅保留90天。本報告未經本公司書面許可，不可部份複製。

This document is issued by the Company subject to its General Conditions of Service printed overleaf, available on request or accessible at <http://www.sgs.com.tw/Terms-and-Conditions> and for electronic format documents, subject to Terms and Conditions for Electronic Documents at <http://www.sgs.com.tw/Terms-and-Conditions>. Attention is drawn to the limitation of liability, indemnification and jurisdiction issues defined therein. Any holder of this document is advised that information contained hereon reflects the Company's findings at the time of its intervention only and within the limits of Client's instructions, if any. The Company's sole responsibility is to its Client and this document does not exonerate parties to a transaction from exercising all their rights and obligations under the transaction documents. This document cannot be reproduced except in full, without prior written approval of the Company. Any unauthorized alteration, forgery or falsification of the content or appearance of this document is unlawful and offenders may be prosecuted to the fullest extent of the law.

LTE Band 4								
BW(MHz)	Modulation	RB Size	RB Offset	Conducted power (dBm)			Target Power + Max. Tolerance (dBm)	MPR Allowed per 3GPP(dB)
Frequency (MHz)			1715	1732.5	1750			
Channel			20000	20175	20350			
10	QPSK	1	0	22.58	22.58	22.63	23.00	0
		1	25	22.60	22.69	22.76	23.00	0
		1	49	22.50	22.64	22.62	23.00	0
		25	0	21.46	21.65	21.64	22.00	1
		25	12	21.57	21.64	21.69	22.00	1
		25	25	21.57	21.64	21.64	22.00	1
10	16-QAM	50	0	21.60	21.64	21.61	22.00	1
		1	0	21.58	21.53	21.67	22.00	1
		1	25	21.51	21.70	21.71	22.00	1
		1	49	21.47	21.65	21.58	22.00	1
		25	0	20.52	20.71	20.64	21.00	2
		25	12	20.56	20.59	20.64	21.00	2
10	64-QAM	25	25	20.53	20.49	20.71	21.00	2
		50	0	20.45	20.74	20.60	21.00	2
		1	0	20.62	20.62	20.57	21.00	2
		1	25	20.42	20.57	20.63	21.00	2
		1	49	20.54	20.59	20.64	21.00	2
		25	0	19.56	19.56	19.56	20.00	3
10	256-QAM	25	12	19.54	19.63	19.64	20.00	3
		25	25	19.56	19.65	19.60	20.00	3
		50	0	19.56	19.69	19.62	20.00	3
		1	0	19.52	19.65	19.64	20.00	3
		1	25	19.57	19.59	19.58	20.00	3
		1	49	19.48	19.63	19.66	20.00	3
10	256-QAM	25	0	18.60	18.58	18.65	19.00	4
		25	12	18.60	18.65	18.50	19.00	4
		25	25	18.40	18.70	18.52	19.00	4
		50	0	18.45	18.54	18.67	19.00	4

Unless otherwise stated the results shown in this test report refer only to the sample(s) tested and such sample(s) are retained for 90 days only.

除非另有說明，此報告結果僅對測試之樣品負責，同時此樣品僅保留90天。本報告未經本公司書面許可，不可部份複製。

This document is issued by the Company subject to its General Conditions of Service printed overleaf, available on request or accessible at <http://www.sgs.com.tw/Terms-and-Conditions> and for electronic format documents, subject to Terms and Conditions for Electronic Documents at <http://www.sgs.com.tw/Terms-and-Conditions>. Attention is drawn to the limitation of liability, indemnification and jurisdiction issues defined therein. Any holder of this document is advised that information contained hereon reflects the Company's findings at the time of its intervention only and within the limits of Client's instructions, if any. The Company's sole responsibility is to its Client and this document does not exonerate parties to a transaction from exercising all their rights and obligations under the transaction documents. This document cannot be reproduced except in full, without prior written approval of the Company. Any unauthorized alteration, forgery or falsification of the content or appearance of this document is unlawful and offenders may be prosecuted to the fullest extent of the law.

LTE Band 4								
BW(MHz)	Modulation	RB Size	RB Offset	Conducted power (dBm)			Target Power + Max. Tolerance (dBm)	MPR Allowed per 3GPP(dB)
Frequency (MHz)				1712.5	1732.5	1752.5		
Channel				19975	20175	20375		
5	QPSK	1	0	22.53	22.71	22.67	23.00	0
		1	12	22.63	22.56	22.64	23.00	0
		1	24	22.58	22.55	22.57	23.00	0
		12	0	21.62	21.64	21.67	22.00	1
		12	6	21.50	21.60	21.56	22.00	1
		12	13	21.46	21.67	21.64	22.00	1
5	16-QAM	25	0	21.55	21.57	21.71	22.00	1
		1	0	21.49	21.61	21.62	22.00	1
		1	12	21.59	21.59	21.58	22.00	1
		1	24	21.55	21.63	21.62	22.00	1
		12	0	20.41	20.56	20.71	21.00	2
		12	6	20.55	20.62	20.59	21.00	2
5	64-QAM	12	13	20.60	20.67	20.55	21.00	2
		25	0	20.56	20.68	20.62	21.00	2
		1	0	20.64	20.60	20.63	21.00	2
		1	12	20.61	20.63	20.63	21.00	2
		1	24	20.45	20.57	20.51	21.00	2
		12	0	19.43	19.55	19.67	20.00	3
5	256-QAM	12	6	19.58	19.65	19.65	20.00	3
		12	13	19.55	19.66	19.63	20.00	3
		25	0	19.56	19.70	19.57	20.00	3
		1	0	19.56	19.59	19.54	20.00	3
		1	12	19.59	19.62	19.76	20.00	3
		1	24	19.56	19.74	19.57	20.00	3
5	256-QAM	12	0	18.62	18.50	18.67	19.00	4
		12	6	18.47	18.56	18.64	19.00	4
		12	13	18.56	18.55	18.71	19.00	4
		25	0	18.51	18.63	18.61	19.00	4

Unless otherwise stated the results shown in this test report refer only to the sample(s) tested and such sample(s) are retained for 90 days only.

除非另有說明，此報告結果僅對測試之樣品負責，同時此樣品僅保留90天。本報告未經本公司書面許可，不可部份複製。

This document is issued by the Company subject to its General Conditions of Service printed overleaf, available on request or accessible at <http://www.sgs.com.tw/Terms-and-Conditions> and for electronic format documents, subject to Terms and Conditions for Electronic Documents at <http://www.sgs.com.tw/Terms-and-Conditions>. Attention is drawn to the limitation of liability, indemnification and jurisdiction issues defined therein. Any holder of this document is advised that information contained hereon reflects the Company's findings at the time of its intervention only and within the limits of Client's instructions, if any. The Company's sole responsibility is to its Client and this document does not exonerate parties to a transaction from exercising all their rights and obligations under the transaction documents. This document cannot be reproduced except in full, without prior written approval of the Company. Any unauthorized alteration, forgery or falsification of the content or appearance of this document is unlawful and offenders may be prosecuted to the fullest extent of the law.

LTE Band 4								
BW(MHz)	Modulation	RB Size	RB Offset	Conducted power (dBm)			Target Power + Max. Tolerance (dBm)	MPR Allowed per 3GPP(dB)
Frequency (MHz)				1711.5	1732.5	1753.5		
Channel				19965	20175	20385		
3	QPSK	1	0	22.56	22.71	22.51	23.00	0
		1	7	22.51	22.70	22.66	23.00	0
		1	14	22.53	22.66	22.65	23.00	0
		8	0	21.60	21.65	21.62	22.00	1
		8	4	21.61	21.48	21.62	22.00	1
		8	7	21.48	21.52	21.61	22.00	1
3	16-QAM	15	0	21.65	21.55	21.64	22.00	1
		1	0	21.58	21.69	21.68	22.00	1
		1	7	21.59	21.61	21.56	22.00	1
		1	14	21.55	21.52	21.76	22.00	1
		8	0	20.63	20.61	20.60	21.00	2
		8	4	20.56	20.57	20.69	21.00	2
3	64-QAM	8	7	20.45	20.62	20.61	21.00	2
		15	0	20.47	20.66	20.64	21.00	2
		1	0	20.54	20.75	20.53	21.00	2
		1	7	20.48	20.62	20.65	21.00	2
		1	14	20.53	20.61	20.63	21.00	2
		8	0	19.46	19.58	19.70	20.00	3
3	256-QAM	8	4	19.49	19.72	19.59	20.00	3
		8	7	19.52	19.55	19.62	20.00	3
		15	0	19.51	19.63	19.62	20.00	3
		1	0	19.50	19.60	19.59	20.00	3
		1	7	19.58	19.62	19.61	20.00	3
		1	14	19.54	19.73	19.59	20.00	3
3	256-QAM	8	0	18.55	18.60	18.60	19.00	4
		8	4	18.59	18.64	18.59	19.00	4
		8	7	18.51	18.63	18.67	19.00	4
		15	0	18.46	18.58	18.55	19.00	4

Unless otherwise stated the results shown in this test report refer only to the sample(s) tested and such sample(s) are retained for 90 days only.

除非另有說明，此報告結果僅對測試之樣品負責，同時此樣品僅保留90天。本報告未經本公司書面許可，不可部份複製。

This document is issued by the Company subject to its General Conditions of Service printed overleaf, available on request or accessible at <http://www.sgs.com.tw/Terms-and-Conditions> and for electronic format documents, subject to Terms and Conditions for Electronic Documents at <http://www.sgs.com.tw/Terms-and-Conditions>. Attention is drawn to the limitation of liability, indemnification and jurisdiction issues defined therein. Any holder of this document is advised that information contained hereon reflects the Company's findings at the time of its intervention only and within the limits of Client's instructions, if any. The Company's sole responsibility is to its Client and this document does not exonerate parties to a transaction from exercising all their rights and obligations under the transaction documents. This document cannot be reproduced except in full, without prior written approval of the Company. Any unauthorized alteration, forgery or falsification of the content or appearance of this document is unlawful and offenders may be prosecuted to the fullest extent of the law.

LTE Band 4								
BW(MHz)	Modulation	RB Size	RB Offset	Conducted power (dBm)			Target Power + Max. Tolerance (dBm)	MPR Allowed per 3GPP(dB)
Frequency (MHz)				1710.7	1732.5	1754.3		
Channel				19957	20175	20393		
1.4	QPSK	1	0	22.54	22.58	22.60	23.00	0
		1	2	22.56	22.56	22.59	23.00	0
		1	5	22.48	22.60	22.64	23.00	0
		3	0	22.57	22.64	22.60	23.00	0
		3	2	22.59	22.48	22.72	23.00	0
		3	3	22.54	22.68	22.54	23.00	0
1.4	16-QAM	6	0	21.52	21.60	21.61	22.00	1
		1	0	21.55	21.69	21.59	22.00	1
		1	2	21.56	21.53	21.69	22.00	1
		1	5	21.48	21.59	21.69	22.00	1
		3	0	21.47	21.66	21.67	22.00	1
		3	2	21.55	21.59	21.54	22.00	1
1.4	64-QAM	3	3	21.60	21.54	21.61	22.00	1
		6	0	20.59	20.66	20.62	21.00	2
		1	0	20.58	20.53	20.60	21.00	2
		1	2	20.55	20.71	20.61	21.00	2
		1	5	20.42	20.72	20.66	21.00	2
		3	0	20.64	20.68	20.60	21.00	2
1.4	256-QAM	3	2	20.57	20.56	20.74	21.00	2
		3	3	20.53	20.75	20.66	21.00	2
		6	0	19.49	19.68	19.73	20.00	3
		1	0	19.48	19.59	19.66	20.00	3
		1	2	19.44	19.64	19.64	20.00	3
		1	5	19.60	19.75	19.61	20.00	3
1.4	256-QAM	3	0	19.58	19.58	19.75	20.00	3
		3	2	19.55	19.51	19.54	20.00	3
		3	3	19.48	19.67	19.55	20.00	3
		6	0	18.49	18.63	18.57	19.00	4

Unless otherwise stated the results shown in this test report refer only to the sample(s) tested and such sample(s) are retained for 90 days only.

除非另有說明，此報告結果僅對測試之樣品負責，同時此樣品僅保留90天。本報告未經本公司書面許可，不可部份複製。

This document is issued by the Company subject to its General Conditions of Service printed overleaf, available on request or accessible at <http://www.sgs.com.tw/Terms-and-Conditions> and for electronic format documents, subject to Terms and Conditions for Electronic Documents at <http://www.sgs.com.tw/Terms-and-Conditions>. Attention is drawn to the limitation of liability, indemnification and jurisdiction issues defined therein. Any holder of this document is advised that information contained hereon reflects the Company's findings at the time of its intervention only and within the limits of Client's instructions, if any. The Company's sole responsibility is to its Client and this document does not exonerate parties to a transaction from exercising all their rights and obligations under the transaction documents. This document cannot be reproduced except in full, without prior written approval of the Company. Any unauthorized alteration, forgery or falsification of the content or appearance of this document is unlawful and offenders may be prosecuted to the fullest extent of the law.

LTE Band 5								
BW(MHz)	Modulation	RB Size	RB Offset	Conducted power (dBm)			Target Power + Max. Tolerance (dBm)	MPR Allowed per 3GPP(dB)
Frequency (MHz)			829	836.5	844			
Channel			20450	20525	20600			
10	QPSK	1	0	22.83	22.85	22.78	23.00	0
		1	25	22.58	22.77	22.54	23.00	0
		1	49	22.63	22.68	22.59	23.00	0
		25	0	21.65	21.79	21.54	22.00	1
		25	12	21.67	21.77	21.63	22.00	1
		25	25	21.67	21.66	21.68	22.00	1
10	16-QAM	50	0	21.67	21.69	21.61	22.00	1
		1	0	21.65	21.64	21.59	22.00	1
		1	25	21.64	21.79	21.74	22.00	1
		1	49	21.63	21.70	21.59	22.00	1
		25	0	20.68	20.58	20.66	21.00	2
		25	12	20.55	20.68	20.62	21.00	2
10	64-QAM	25	25	20.65	20.70	20.53	21.00	2
		50	0	20.79	20.66	20.66	21.00	2
		1	0	20.68	20.76	20.54	21.00	2
		1	25	20.56	20.66	20.58	21.00	2
		1	49	20.69	20.69	20.60	21.00	2
		25	0	19.64	19.69	19.59	20.00	3
10	256-QAM	25	12	19.63	19.63	19.65	20.00	3
		25	25	19.70	19.79	19.59	20.00	3
		50	0	19.66	19.73	19.59	20.00	3
		1	0	19.66	19.66	19.61	20.00	3
		1	25	19.60	19.76	19.71	20.00	3
		1	49	19.64	19.74	19.73	20.00	3
10	256-QAM	25	0	18.69	18.65	18.54	19.00	4
		25	12	18.79	18.78	18.53	19.00	4
		25	25	18.65	18.69	18.72	19.00	4
		50	0	18.69	18.81	18.63	19.00	4

Unless otherwise stated the results shown in this test report refer only to the sample(s) tested and such sample(s) are retained for 90 days only.

除非另有說明，此報告結果僅對測試之樣品負責，同時此樣品僅保留90天。本報告未經本公司書面許可，不可部份複製。

This document is issued by the Company subject to its General Conditions of Service printed overleaf, available on request or accessible at <http://www.sgs.com.tw/Terms-and-Conditions> and for electronic format documents, subject to Terms and Conditions for Electronic Documents at <http://www.sgs.com.tw/Terms-and-Conditions>. Attention is drawn to the limitation of liability, indemnification and jurisdiction issues defined therein. Any holder of this document is advised that information contained hereon reflects the Company's findings at the time of its intervention only and within the limits of Client's instructions, if any. The Company's sole responsibility is to its Client and this document does not exonerate parties to a transaction from exercising all their rights and obligations under the transaction documents. This document cannot be reproduced except in full, without prior written approval of the Company. Any unauthorized alteration, forgery or falsification of the content or appearance of this document is unlawful and offenders may be prosecuted to the fullest extent of the law.

LTE Band 5								
BW(MHz)	Modulation	RB Size	RB Offset	Conducted power (dBm)			Target Power + Max. Tolerance (dBm)	MPR Allowed per 3GPP(dB)
Frequency (MHz)				826.5	836.5	846.5		
Channel				20425	20525	20625		
5	QPSK	1	0	22.57	22.73	22.66	23.00	0
		1	12	22.74	22.70	22.58	23.00	0
		1	24	22.70	22.66	22.61	23.00	0
		12	0	21.67	21.70	21.74	22.00	1
		12	6	21.59	21.62	21.67	22.00	1
		12	13	21.70	21.70	21.65	22.00	1
5	16-QAM	25	0	21.70	21.68	21.67	22.00	1
		1	0	21.75	21.57	21.55	22.00	1
		1	12	21.68	21.63	21.71	22.00	1
		1	24	21.71	21.66	21.74	22.00	1
		12	0	20.71	20.61	20.59	21.00	2
		12	6	20.57	20.72	20.60	21.00	2
5	64-QAM	12	13	20.66	20.64	20.58	21.00	2
		25	0	20.73	20.66	20.62	21.00	2
		1	0	20.70	20.59	20.63	21.00	2
		1	12	20.76	20.73	20.64	21.00	2
		1	24	20.62	20.74	20.60	21.00	2
		12	0	19.68	19.65	19.58	20.00	3
5	256-QAM	12	6	19.62	19.80	19.71	20.00	3
		12	13	19.73	19.72	19.70	20.00	3
		25	0	19.70	19.75	19.74	20.00	3
		1	0	19.72	19.82	19.61	20.00	3
		1	12	19.58	19.59	19.72	20.00	3
		1	24	19.59	19.67	19.64	20.00	3
5	256-QAM	12	0	18.78	18.62	18.69	19.00	4
		12	6	18.77	18.74	18.54	19.00	4
		12	13	18.60	18.66	18.69	19.00	4
		25	0	18.66	18.74	18.59	19.00	4

Unless otherwise stated the results shown in this test report refer only to the sample(s) tested and such sample(s) are retained for 90 days only.

除非另有說明，此報告結果僅對測試之樣品負責，同時此樣品僅保留90天。本報告未經本公司書面許可，不可部份複製。

This document is issued by the Company subject to its General Conditions of Service printed overleaf, available on request or accessible at <http://www.sgs.com.tw/Terms-and-Conditions> and for electronic format documents, subject to Terms and Conditions for Electronic Documents at <http://www.sgs.com.tw/Terms-and-Conditions>. Attention is drawn to the limitation of liability, indemnification and jurisdiction issues defined therein. Any holder of this document is advised that information contained hereon reflects the Company's findings at the time of its intervention only and within the limits of Client's instructions, if any. The Company's sole responsibility is to its Client and this document does not exonerate parties to a transaction from exercising all their rights and obligations under the transaction documents. This document cannot be reproduced except in full, without prior written approval of the Company. Any unauthorized alteration, forgery or falsification of the content or appearance of this document is unlawful and offenders may be prosecuted to the fullest extent of the law.

LTE Band 5								
BW(MHz)	Modulation	RB Size	RB Offset	Conducted power (dBm)			Target Power + Max. Tolerance (dBm)	MPR Allowed per 3GPP(dB)
Frequency (MHz)				825.5	836.5	847.5		
Channel				20415	20525	20635		
3	QPSK	1	0	22.72	22.62	22.54	23.00	0
		1	7	22.68	22.72	22.63	23.00	0
		1	14	22.57	22.67	22.66	23.00	0
		8	0	21.69	21.66	21.56	22.00	1
		8	4	21.74	21.75	21.63	22.00	1
		8	7	21.63	21.74	21.64	22.00	1
3	16-QAM	15	0	21.68	21.68	21.56	22.00	1
		1	0	21.71	21.72	21.67	22.00	1
		1	7	21.61	21.72	21.71	22.00	1
		1	14	21.57	21.73	21.63	22.00	1
		8	0	20.73	20.58	20.75	21.00	2
		8	4	20.69	20.79	20.63	21.00	2
3	64-QAM	8	7	20.75	20.65	20.76	21.00	2
		15	0	20.73	20.76	20.66	21.00	2
		1	0	20.64	20.79	20.64	21.00	2
		1	7	20.72	20.63	20.61	21.00	2
		1	14	20.77	20.60	20.54	21.00	2
		8	0	19.70	19.67	19.54	20.00	3
3	256-QAM	8	4	19.74	19.68	19.65	20.00	3
		8	7	19.73	19.75	19.63	20.00	3
		15	0	19.69	19.66	19.67	20.00	3
		1	0	19.68	19.67	19.64	20.00	3
		1	7	19.62	19.72	19.69	20.00	3
		1	14	19.64	19.80	19.52	20.00	3
3	256-QAM	8	0	18.66	18.73	18.59	19.00	4
		8	4	18.67	18.75	18.63	19.00	4
		8	7	18.69	18.65	18.63	19.00	4
		15	0	18.70	18.62	18.64	19.00	4

Unless otherwise stated the results shown in this test report refer only to the sample(s) tested and such sample(s) are retained for 90 days only.

除非另有說明，此報告結果僅對測試之樣品負責，同時此樣品僅保留90天。本報告未經本公司書面許可，不可部份複製。

This document is issued by the Company subject to its General Conditions of Service printed overleaf, available on request or accessible at <http://www.sgs.com.tw/Terms-and-Conditions> and for electronic format documents, subject to Terms and Conditions for Electronic Documents at <http://www.sgs.com.tw/Terms-and-Conditions>. Attention is drawn to the limitation of liability, indemnification and jurisdiction issues defined therein. Any holder of this document is advised that information contained hereon reflects the Company's findings at the time of its intervention only and within the limits of Client's instructions, if any. The Company's sole responsibility is to its Client and this document does not exonerate parties to a transaction from exercising all their rights and obligations under the transaction documents. This document cannot be reproduced except in full, without prior written approval of the Company. Any unauthorized alteration, forgery or falsification of the content or appearance of this document is unlawful and offenders may be prosecuted to the fullest extent of the law.

LTE Band 5								
BW(MHz)	Modulation	RB Size	RB Offset	Conducted power (dBm)			Target Power + Max. Tolerance (dBm)	MPR Allowed per 3GPP(dB)
Frequency (MHz)			824.7	836.5	848.3			
Channel			20407	20525	20643			
1.4	QPSK	1	0	22.55	22.73	22.61	23.00	0
		1	2	22.72	22.69	22.69	23.00	0
		1	5	22.71	22.76	22.64	23.00	0
		3	0	22.65	22.76	22.53	23.00	0
		3	2	22.60	22.65	22.62	23.00	0
		3	3	22.70	22.69	22.70	23.00	0
		6	0	21.63	21.55	21.66	22.00	1
1.4	16-QAM	1	0	21.68	21.68	21.60	22.00	1
		1	2	21.57	21.70	21.62	22.00	1
		1	5	21.56	21.66	21.52	22.00	1
		3	0	21.66	21.66	21.59	22.00	1
		3	2	21.78	21.66	21.60	22.00	1
		3	3	21.66	21.77	21.61	22.00	1
		6	0	20.60	20.73	20.68	21.00	2
1.4	64-QAM	1	0	20.71	20.69	20.66	21.00	2
		1	2	20.76	20.62	20.76	21.00	2
		1	5	20.76	20.64	20.58	21.00	2
		3	0	20.63	20.61	20.58	21.00	2
		3	2	20.62	20.56	20.62	21.00	2
		3	3	20.60	20.65	20.62	21.00	2
		6	0	19.62	19.70	19.63	20.00	3
1.4	256-QAM	1	0	19.68	19.71	19.65	20.00	3
		1	2	19.67	19.75	19.70	20.00	3
		1	5	19.72	19.64	19.61	20.00	3
		3	0	19.71	19.64	19.51	20.00	3
		3	2	19.66	19.72	19.67	20.00	3
		3	3	19.69	19.64	19.62	20.00	3
		6	0	18.74	18.66	18.53	19.00	4

Unless otherwise stated the results shown in this test report refer only to the sample(s) tested and such sample(s) are retained for 90 days only.

除非另有說明，此報告結果僅對測試之樣品負責，同時此樣品僅保留90天。本報告未經本公司書面許可，不可部份複製。

This document is issued by the Company subject to its General Conditions of Service printed overleaf, available on request or accessible at <http://www.sgs.com.tw/Terms-and-Conditions> and for electronic format documents, subject to Terms and Conditions for Electronic Documents at <http://www.sgs.com.tw/Terms-and-Conditions>. Attention is drawn to the limitation of liability, indemnification and jurisdiction issues defined therein. Any holder of this document is advised that information contained hereon reflects the Company's findings at the time of its intervention only and within the limits of Client's instructions, if any. The Company's sole responsibility is to its Client and this document does not exonerate parties to a transaction from exercising all their rights and obligations under the transaction documents. This document cannot be reproduced except in full, without prior written approval of the Company. Any unauthorized alteration, forgery or falsification of the content or appearance of this document is unlawful and offenders may be prosecuted to the fullest extent of the law.

LTE Band 12								
BW(MHz)	Modulation	RB Size	RB Offset	Conducted power (dBm)			Target Power + Max. Tolerance (dBm)	MPR Allowed per 3GPP(dB)
Frequency (MHz)				704	707.5	711		
Channel				23060	23095	23130		
10	QPSK	1	0	22.83	22.79	22.82	23.00	0
		1	25	22.80	22.77	22.76	23.00	0
		1	49	22.63	22.50	22.67	23.00	0
		25	0	21.69	21.68	21.57	22.00	1
		25	12	21.73	21.57	21.74	22.00	1
		25	25	21.73	21.50	21.70	22.00	1
10	16-QAM	50	0	21.60	21.67	21.76	22.00	1
		1	0	21.79	21.63	21.66	22.00	1
		1	25	21.60	21.53	21.66	22.00	1
		1	49	21.62	21.74	21.65	22.00	1
		25	0	20.78	20.71	20.69	21.00	2
		25	12	20.69	20.71	20.62	21.00	2
10	64-QAM	25	25	20.66	20.64	20.66	21.00	2
		50	0	20.60	20.71	20.68	21.00	2
		1	0	20.77	20.64	20.70	21.00	2
		1	25	20.61	20.59	20.57	21.00	2
		1	49	20.64	20.72	20.70	21.00	2
		25	0	19.71	19.74	19.72	20.00	3
10	256-QAM	25	12	19.61	19.64	19.58	20.00	3
		25	25	19.63	19.63	19.54	20.00	3
		50	0	19.71	19.72	19.67	20.00	3
		1	0	19.73	19.73	19.62	20.00	3
		1	25	19.71	19.74	19.74	20.00	3
		1	49	19.68	19.65	19.59	20.00	3
10	256-QAM	25	0	18.66	18.62	18.64	19.00	4
		25	12	18.66	18.71	18.57	19.00	4
		25	25	18.69	18.65	18.60	19.00	4
		50	0	18.59	18.66	18.63	19.00	4

Unless otherwise stated the results shown in this test report refer only to the sample(s) tested and such sample(s) are retained for 90 days only.

除非另有說明，此報告結果僅對測試之樣品負責，同時此樣品僅保留90天。本報告未經本公司書面許可，不可部份複製。

This document is issued by the Company subject to its General Conditions of Service printed overleaf, available on request or accessible at <http://www.sgs.com.tw/Terms-and-Conditions> and for electronic format documents, subject to Terms and Conditions for Electronic Documents at <http://www.sgs.com.tw/Terms-and-Conditions>. Attention is drawn to the limitation of liability, indemnification and jurisdiction issues defined therein. Any holder of this document is advised that information contained hereon reflects the Company's findings at the time of its intervention only and within the limits of Client's instructions, if any. The Company's sole responsibility is to its Client and this document does not exonerate parties to a transaction from exercising all their rights and obligations under the transaction documents. This document cannot be reproduced except in full, without prior written approval of the Company. Any unauthorized alteration, forgery or falsification of the content or appearance of this document is unlawful and offenders may be prosecuted to the fullest extent of the law.

LTE Band 12								
BW(MHz)	Modulation	RB Size	RB Offset	Conducted power (dBm)			Target Power + Max. Tolerance (dBm)	MPR Allowed per 3GPP(dB)
Frequency (MHz)				701.5	707.5	713.5		
Channel				23035	23095	23155		
5	QPSK	1	0	22.60	22.58	22.59	23.00	0
		1	12	22.62	22.60	22.80	23.00	0
		1	24	22.69	22.60	22.68	23.00	0
		12	0	21.64	21.57	21.55	22.00	1
		12	6	21.61	21.65	21.76	22.00	1
		12	13	21.64	21.65	21.66	22.00	1
5	16-QAM	25	0	21.74	21.58	21.54	22.00	1
		1	0	21.67	21.61	21.74	22.00	1
		1	12	21.67	21.70	21.74	22.00	1
		1	24	21.72	21.66	21.63	22.00	1
		12	0	20.65	20.68	20.76	21.00	2
		12	6	20.61	20.74	20.63	21.00	2
5	64-QAM	12	13	20.60	20.58	20.57	21.00	2
		25	0	20.72	20.65	20.65	21.00	2
		1	0	20.76	20.62	20.72	21.00	2
		1	12	20.65	20.61	20.67	21.00	2
		1	24	20.73	20.66	20.76	21.00	2
		12	0	19.79	19.60	19.66	20.00	3
5	256-QAM	12	6	19.67	19.69	19.62	20.00	3
		12	13	19.55	19.65	19.69	20.00	3
		25	0	19.56	19.60	19.67	20.00	3
		1	0	19.66	19.58	19.54	20.00	3
		1	12	19.68	19.60	19.67	20.00	3
		1	24	19.63	19.52	19.75	20.00	3
5	256-QAM	12	0	18.59	18.59	18.66	19.00	4
		12	6	18.72	18.53	18.71	19.00	4
		12	13	18.67	18.57	18.60	19.00	4
		25	0	18.70	18.62	18.75	19.00	4

Unless otherwise stated the results shown in this test report refer only to the sample(s) tested and such sample(s) are retained for 90 days only.

除非另有說明，此報告結果僅對測試之樣品負責，同時此樣品僅保留90天。本報告未經本公司書面許可，不可部份複製。

This document is issued by the Company subject to its General Conditions of Service printed overleaf, available on request or accessible at <http://www.sgs.com.tw/Terms-and-Conditions> and for electronic format documents, subject to Terms and Conditions for Electronic Documents at <http://www.sgs.com.tw/Terms-and-Conditions>. Attention is drawn to the limitation of liability, indemnification and jurisdiction issues defined therein. Any holder of this document is advised that information contained hereon reflects the Company's findings at the time of its intervention only and within the limits of Client's instructions, if any. The Company's sole responsibility is to its Client and this document does not exonerate parties to a transaction from exercising all their rights and obligations under the transaction documents. This document cannot be reproduced except in full, without prior written approval of the Company. Any unauthorized alteration, forgery or falsification of the content or appearance of this document is unlawful and offenders may be prosecuted to the fullest extent of the law.

LTE Band 12								
BW(MHz)	Modulation	RB Size	RB Offset	Conducted power (dBm)			Target Power + Max. Tolerance (dBm)	MPR Allowed per 3GPP(dB)
Frequency (MHz)			700.5	707.5	714.5			
Channel			23025	23095	23165			
3	QPSK	1	0	22.70	22.71	22.57	23.00	0
		1	7	22.75	22.62	22.71	23.00	0
		1	14	22.61	22.51	22.58	23.00	0
		8	0	21.73	21.61	21.70	22.00	1
		8	4	21.74	21.62	21.59	22.00	1
		8	7	21.54	21.70	21.63	22.00	1
3	16-QAM	15	0	21.63	21.57	21.65	22.00	1
		1	0	21.74	21.63	21.67	22.00	1
		1	7	21.76	21.54	21.63	22.00	1
		1	14	21.72	21.72	21.63	22.00	1
		8	0	20.65	20.62	20.65	21.00	2
		8	4	20.67	20.62	20.62	21.00	2
3	64-QAM	8	7	20.62	20.67	20.68	21.00	2
		15	0	20.73	20.60	20.63	21.00	2
		1	0	20.66	20.59	20.63	21.00	2
		1	7	20.67	20.64	20.68	21.00	2
		1	14	20.57	20.68	20.79	21.00	2
		8	0	19.79	19.67	19.68	20.00	3
3	256-QAM	8	4	19.68	19.59	19.65	20.00	3
		8	7	19.60	19.65	19.77	20.00	3
		15	0	19.73	19.76	19.73	20.00	3
		1	0	19.64	19.52	19.73	20.00	3
		1	7	19.63	19.73	19.72	20.00	3
		1	14	19.63	19.65	19.72	20.00	3
3	256-QAM	8	0	18.73	18.57	18.77	19.00	4
		8	4	18.57	18.56	18.62	19.00	4
		8	7	18.61	18.58	18.64	19.00	4
		15	0	18.62	18.63	18.72	19.00	4

Unless otherwise stated the results shown in this test report refer only to the sample(s) tested and such sample(s) are retained for 90 days only.

除非另有說明，此報告結果僅對測試之樣品負責，同時此樣品僅保留90天。本報告未經本公司書面許可，不可部份複製。

This document is issued by the Company subject to its General Conditions of Service printed overleaf, available on request or accessible at <http://www.sgs.com.tw/Terms-and-Conditions> and for electronic format documents, subject to Terms and Conditions for Electronic Documents at <http://www.sgs.com.tw/Terms-and-Conditions>. Attention is drawn to the limitation of liability, indemnification and jurisdiction issues defined therein. Any holder of this document is advised that information contained hereon reflects the Company's findings at the time of its intervention only and within the limits of Client's instructions, if any. The Company's sole responsibility is to its Client and this document does not exonerate parties to a transaction from exercising all their rights and obligations under the transaction documents. This document cannot be reproduced except in full, without prior written approval of the Company. Any unauthorized alteration, forgery or falsification of the content or appearance of this document is unlawful and offenders may be prosecuted to the fullest extent of the law.

LTE Band 12								
BW(MHz)	Modulation	RB Size	RB Offset	Conducted power (dBm)			Target Power + Max. Tolerance (dBm)	MPR Allowed per 3GPP(dB)
Frequency (MHz)				699.7	707.5	715.3		
Channel				23017	23095	23173		
1.4	QPSK	1	0	22.62	22.68	22.71	23.00	0
		1	2	22.57	22.73	22.62	23.00	0
		1	5	22.69	22.69	22.64	23.00	0
		3	0	22.61	22.67	22.72	23.00	0
		3	2	22.62	22.65	22.70	23.00	0
		3	3	22.68	22.71	22.78	23.00	0
1.4	16-QAM	6	0	21.74	21.68	21.69	22.00	1
		1	0	21.57	21.54	21.68	22.00	1
		1	2	21.60	21.58	21.71	22.00	1
		1	5	21.61	21.70	21.65	22.00	1
		3	0	21.57	21.64	21.73	22.00	1
		3	2	21.61	21.72	21.69	22.00	1
1.4	64-QAM	3	3	21.68	21.49	21.69	22.00	1
		6	0	20.70	20.55	20.63	21.00	2
		1	0	20.58	20.49	20.64	21.00	2
		1	2	20.69	20.64	20.80	21.00	2
		1	5	20.72	20.70	20.68	21.00	2
		3	0	20.62	20.67	20.60	21.00	2
1.4	256-QAM	3	2	20.66	20.60	20.71	21.00	2
		3	3	20.65	20.72	20.73	21.00	2
		6	0	19.60	19.71	19.73	20.00	3
		1	0	19.77	19.61	19.64	20.00	3
		1	2	19.63	19.63	19.64	20.00	3
		1	5	19.72	19.52	19.80	20.00	3
1.4	256-QAM	3	0	19.61	19.66	19.74	20.00	3
		3	2	19.74	19.69	19.61	20.00	3
		3	3	19.72	19.65	19.66	20.00	3
		6	0	18.73	18.71	18.67	19.00	4

Unless otherwise stated the results shown in this test report refer only to the sample(s) tested and such sample(s) are retained for 90 days only.

除非另有說明，此報告結果僅對測試之樣品負責，同時此樣品僅保留90天。本報告未經本公司書面許可，不可部份複製。

This document is issued by the Company subject to its General Conditions of Service printed overleaf, available on request or accessible at <http://www.sgs.com.tw/Terms-and-Conditions> and for electronic format documents, subject to Terms and Conditions for Electronic Documents at <http://www.sgs.com.tw/Terms-and-Conditions>. Attention is drawn to the limitation of liability, indemnification and jurisdiction issues defined therein. Any holder of this document is advised that information contained hereon reflects the Company's findings at the time of its intervention only and within the limits of Client's instructions, if any. The Company's sole responsibility is to its Client and this document does not exonerate parties to a transaction from exercising all their rights and obligations under the transaction documents. This document cannot be reproduced except in full, without prior written approval of the Company. Any unauthorized alteration, forgery or falsification of the content or appearance of this document is unlawful and offenders may be prosecuted to the fullest extent of the law.

LTE Band 13								
BW(MHz)	Modulation	RB Size	RB Offset	Conducted power (dBm)			Target Power + Max. Tolerance (dBm)	MPR Allowed per 3GPP(dB)
Frequency (MHz)				782	782	782		
Channel				23230	23230	23230		
10	QPSK	1	0		22.92		23.00	0
		1	25		22.80		23.00	0
		1	49		22.79		23.00	0
		25	0		21.76		22.00	1
		25	12		21.73		22.00	1
		25	25		21.68		22.00	1
10	16-QAM	50	0		21.76		22.00	1
		1	0		21.72		22.00	1
		1	25		21.75		22.00	1
		1	49		21.76		22.00	1
		25	0		20.85		21.00	2
		25	12		20.75		21.00	2
10	64-QAM	25	25		20.78		21.00	2
		50	0		20.77		21.00	2
		1	0		20.75		21.00	2
		1	25		20.68		21.00	2
		1	49		20.75		21.00	2
		25	0		19.88		20.00	3
10	256-QAM	25	12		19.79		20.00	3
		25	25		19.74		20.00	3
		50	0		19.72		20.00	3
		1	0		19.79		20.00	3
		1	25		19.74		20.00	3
		1	49		19.76		20.00	3
10	256-QAM	25	0		18.72		19.00	4
		25	12		18.70		19.00	4
		25	25		18.82		19.00	4
		50	0		18.79		19.00	4

Unless otherwise stated the results shown in this test report refer only to the sample(s) tested and such sample(s) are retained for 90 days only.

除非另有說明，此報告結果僅對測試之樣品負責，同時此樣品僅保留90天。本報告未經本公司書面許可，不可部份複製。

This document is issued by the Company subject to its General Conditions of Service printed overleaf, available on request or accessible at <http://www.sgs.com.tw/Terms-and-Conditions> and for electronic format documents, subject to Terms and Conditions for Electronic Documents at <http://www.sgs.com.tw/Terms-and-Conditions>. Attention is drawn to the limitation of liability, indemnification and jurisdiction issues defined therein. Any holder of this document is advised that information contained hereon reflects the Company's findings at the time of its intervention only and within the limits of Client's instructions, if any. The Company's sole responsibility is to its Client and this document does not exonerate parties to a transaction from exercising all their rights and obligations under the transaction documents. This document cannot be reproduced except in full, without prior written approval of the Company. Any unauthorized alteration, forgery or falsification of the content or appearance of this document is unlawful and offenders may be prosecuted to the fullest extent of the law.

LTE Band 13								
BW(MHz)	Modulation	RB Size	RB Offset	Conducted power (dBm)			Target Power + Max. Tolerance (dBm)	MPR Allowed per 3GPP(dB)
Frequency (MHz)				779.5	782	784.5		
Channel				23205	23230	23255		
5	QPSK	1	0	22.85	22.73	22.60	23.00	0
		1	12	22.66	22.79	22.57	23.00	0
		1	24	22.77	22.88	22.64	23.00	0
		12	0	21.76	21.79	21.57	22.00	1
		12	6	21.60	21.76	21.66	22.00	1
		12	13	21.80	21.80	21.66	22.00	1
5	16-QAM	25	0	21.64	21.86	21.66	22.00	1
		1	0	21.82	21.76	21.64	22.00	1
		1	12	21.75	21.72	21.67	22.00	1
		1	24	21.67	21.67	21.75	22.00	1
		12	0	20.79	20.64	20.71	21.00	2
		12	6	20.59	20.82	20.50	21.00	2
5	64-QAM	12	13	20.63	20.75	20.68	21.00	2
		25	0	20.68	20.82	20.76	21.00	2
		1	0	20.72	20.74	20.53	21.00	2
		1	12	20.64	20.71	20.52	21.00	2
		1	24	20.69	20.83	20.67	21.00	2
		12	0	19.63	19.72	19.69	20.00	3
5	256-QAM	12	6	19.65	19.77	19.66	20.00	3
		12	13	19.83	19.76	19.65	20.00	3
		25	0	19.71	19.73	19.55	20.00	3
		1	0	19.75	19.79	19.69	20.00	3
		1	12	19.70	19.71	19.70	20.00	3
		1	24	19.69	19.85	19.55	20.00	3
5	256-QAM	12	0	18.64	18.77	18.64	19.00	4
		12	6	18.83	18.74	18.76	19.00	4
		12	13	18.63	18.77	18.65	19.00	4
		25	0	18.81	18.79	18.51	19.00	4

Unless otherwise stated the results shown in this test report refer only to the sample(s) tested and such sample(s) are retained for 90 days only.

除非另有說明，此報告結果僅對測試之樣品負責，同時此樣品僅保留90天。本報告未經本公司書面許可，不可部份複製。

This document is issued by the Company subject to its General Conditions of Service printed overleaf, available on request or accessible at <http://www.sgs.com.tw/Terms-and-Conditions> and for electronic format documents, subject to Terms and Conditions for Electronic Documents at <http://www.sgs.com.tw/Terms-and-Conditions>. Attention is drawn to the limitation of liability, indemnification and jurisdiction issues defined therein. Any holder of this document is advised that information contained hereon reflects the Company's findings at the time of its intervention only and within the limits of Client's instructions, if any. The Company's sole responsibility is to its Client and this document does not exonerate parties to a transaction from exercising all their rights and obligations under the transaction documents. This document cannot be reproduced except in full, without prior written approval of the Company. Any unauthorized alteration, forgery or falsification of the content or appearance of this document is unlawful and offenders may be prosecuted to the fullest extent of the law.

LTE Band 14								
BW(MHz)	Modulation	RB Size	RB Offset	Conducted power (dBm)			Target Power + Max. Tolerance (dBm)	MPR Allowed per 3GPP(dB)
Frequency (MHz)				793	793	793		
Channel				23330	23330	23330		
10	QPSK	1	0		22.91		23.00	0
		1	25		22.64		23.00	0
		1	49		22.73		23.00	0
		25	0		21.72		22.00	1
		25	12		21.74		22.00	1
		25	25		21.82		22.00	1
10	16-QAM	50	0		21.70		22.00	1
		1	0		21.75		22.00	1
		1	25		21.87		22.00	1
		1	49		21.79		22.00	1
		25	0		20.75		21.00	2
		25	12		20.73		21.00	2
10	64-QAM	25	25		20.83		21.00	2
		50	0		20.77		21.00	2
		1	0		20.68		21.00	2
		1	25		20.80		21.00	2
		1	49		20.79		21.00	2
		25	0		19.73		20.00	3
10	256-QAM	25	12		19.69		20.00	3
		25	25		19.78		20.00	3
		50	0		19.86		20.00	3
		1	0		19.74		20.00	3
		1	25		19.82		20.00	3
		1	49		19.73		20.00	3
10	256-QAM	25	0		18.72		19.00	4
		25	12		18.72		19.00	4
		25	25		18.84		19.00	4
		50	0		18.64		19.00	4

Unless otherwise stated the results shown in this test report refer only to the sample(s) tested and such sample(s) are retained for 90 days only.

除非另有說明，此報告結果僅對測試之樣品負責，同時此樣品僅保留90天。本報告未經本公司書面許可，不可部份複製。

This document is issued by the Company subject to its General Conditions of Service printed overleaf, available on request or accessible at <http://www.sgs.com.tw/Terms-and-Conditions> and for electronic format documents, subject to Terms and Conditions for Electronic Documents at <http://www.sgs.com.tw/Terms-and-Conditions>. Attention is drawn to the limitation of liability, indemnification and jurisdiction issues defined therein. Any holder of this document is advised that information contained hereon reflects the Company's findings at the time of its intervention only and within the limits of Client's instructions, if any. The Company's sole responsibility is to its Client and this document does not exonerate parties to a transaction from exercising all their rights and obligations under the transaction documents. This document cannot be reproduced except in full, without prior written approval of the Company. Any unauthorized alteration, forgery or falsification of the content or appearance of this document is unlawful and offenders may be prosecuted to the fullest extent of the law.

LTE Band 14								
BW(MHz)	Modulation	RB Size	RB Offset	Conducted power (dBm)			Target Power + Max. Tolerance (dBm)	MPR Allowed per 3GPP(dB)
Frequency (MHz)				790.5	793	795.5		
Channel				23305	23330	23355		
5	QPSK	1	0	22.80	22.71	22.55	23.00	0
		1	12	22.58	22.63	22.71	23.00	0
		1	24	22.65	22.74	22.69	23.00	0
		12	0	21.70	21.75	21.59	22.00	1
		12	6	21.72	21.68	21.68	22.00	1
		12	13	21.68	21.77	21.66	22.00	1
5	16-QAM	25	0	21.61	21.84	21.74	22.00	1
		1	0	21.72	21.82	21.56	22.00	1
		1	12	21.80	21.62	21.62	22.00	1
		1	24	21.70	21.87	21.65	22.00	1
		12	0	20.63	20.76	20.71	21.00	2
		12	6	20.67	20.65	20.75	21.00	2
5	64-QAM	12	13	20.77	20.72	20.70	21.00	2
		25	0	20.77	20.76	20.57	21.00	2
		1	0	20.70	20.67	20.73	21.00	2
		1	12	20.80	20.82	20.54	21.00	2
		1	24	20.66	20.83	20.67	21.00	2
		12	0	19.75	19.71	19.65	20.00	3
5	256-QAM	12	6	19.74	19.85	19.59	20.00	3
		12	13	19.73	19.67	19.59	20.00	3
		25	0	19.77	19.86	19.62	20.00	3
		1	0	19.73	19.68	19.77	20.00	3
		1	12	19.75	19.87	19.60	20.00	3
		1	24	19.75	19.65	19.73	20.00	3
5	256-QAM	12	0	18.66	18.85	18.72	19.00	4
		12	6	18.76	18.69	18.62	19.00	4
		12	13	18.71	18.77	18.58	19.00	4
		25	0	18.68	18.79	18.67	19.00	4

Unless otherwise stated the results shown in this test report refer only to the sample(s) tested and such sample(s) are retained for 90 days only.

除非另有說明，此報告結果僅對測試之樣品負責，同時此樣品僅保留90天。本報告未經本公司書面許可，不可部份複製。

This document is issued by the Company subject to its General Conditions of Service printed overleaf, available on request or accessible at <http://www.sgs.com.tw/Terms-and-Conditions> and for electronic format documents, subject to Terms and Conditions for Electronic Documents at <http://www.sgs.com.tw/Terms-and-Conditions>. Attention is drawn to the limitation of liability, indemnification and jurisdiction issues defined therein. Any holder of this document is advised that information contained hereon reflects the Company's findings at the time of its intervention only and within the limits of Client's instructions, if any. The Company's sole responsibility is to its Client and this document does not exonerate parties to a transaction from exercising all their rights and obligations under the transaction documents. This document cannot be reproduced except in full, without prior written approval of the Company. Any unauthorized alteration, forgery or falsification of the content or appearance of this document is unlawful and offenders may be prosecuted to the fullest extent of the law.

LTE Band 17								
BW(MHz)	Modulation	RB Size	RB Offset	Conducted power (dBm)			Target Power + Max. Tolerance (dBm)	MPR Allowed per 3GPP(dB)
Frequency (MHz)			709	710	711			
Channel			23780	23790	23800			
10	QPSK	1	0	22.75	22.78	22.81	23.00	0
		1	25	22.62	22.62	22.75	23.00	0
		1	49	22.67	22.53	22.58	23.00	0
		25	0	21.55	21.65	21.55	22.00	1
		25	12	21.61	21.70	21.63	22.00	1
		25	25	21.51	21.66	21.64	22.00	1
10	16-QAM	50	0	21.51	21.63	21.62	22.00	1
		1	0	21.66	21.56	21.57	22.00	1
		1	25	21.49	21.76	21.68	22.00	1
		1	49	21.57	21.62	21.74	22.00	1
		25	0	20.54	20.72	20.77	21.00	2
		25	12	20.66	20.56	20.67	21.00	2
10	64-QAM	25	25	20.62	20.70	20.56	21.00	2
		50	0	20.68	20.63	20.68	21.00	2
		1	0	20.64	20.55	20.78	21.00	2
		1	25	20.52	20.55	20.76	21.00	2
		1	49	20.60	20.59	20.60	21.00	2
		25	0	19.64	19.56	19.63	20.00	3
10	256-QAM	25	12	19.57	19.60	19.75	20.00	3
		25	25	19.62	19.57	19.69	20.00	3
		50	0	19.60	19.63	19.64	20.00	3
		1	0	19.57	19.68	19.55	20.00	3
		1	25	19.60	19.51	19.70	20.00	3
		1	49	19.70	19.65	19.75	20.00	3
10	256-QAM	25	0	18.59	18.61	18.75	19.00	4
		25	12	18.63	18.70	18.74	19.00	4
		25	25	18.61	18.63	18.68	19.00	4
		50	0	18.60	18.57	18.68	19.00	4

Unless otherwise stated the results shown in this test report refer only to the sample(s) tested and such sample(s) are retained for 90 days only.

除非另有說明，此報告結果僅對測試之樣品負責，同時此樣品僅保留90天。本報告未經本公司書面許可，不可部份複製。

This document is issued by the Company subject to its General Conditions of Service printed overleaf, available on request or accessible at <http://www.sgs.com.tw/Terms-and-Conditions> and for electronic format documents, subject to Terms and Conditions for Electronic Documents at <http://www.sgs.com.tw/Terms-and-Conditions>. Attention is drawn to the limitation of liability, indemnification and jurisdiction issues defined therein. Any holder of this document is advised that information contained hereon reflects the Company's findings at the time of its intervention only and within the limits of Client's instructions, if any. The Company's sole responsibility is to its Client and this document does not exonerate parties to a transaction from exercising all their rights and obligations under the transaction documents. This document cannot be reproduced except in full, without prior written approval of the Company. Any unauthorized alteration, forgery or falsification of the content or appearance of this document is unlawful and offenders may be prosecuted to the fullest extent of the law.

LTE Band 17								
BW(MHz)	Modulation	RB Size	RB Offset	Conducted power (dBm)			Target Power + Max. Tolerance (dBm)	MPR Allowed per 3GPP(dB)
Frequency (MHz)				706.5	710	713.5		
Channel				23755	23790	23825		
5	QPSK	1	0	22.62	22.56	22.65	23.00	0
		1	12	22.54	22.60	22.76	23.00	0
		1	24	22.55	22.60	22.70	23.00	0
		12	0	21.49	21.63	21.65	22.00	1
		12	6	21.53	21.51	21.65	22.00	1
		12	13	21.50	21.67	21.73	22.00	1
5	16-QAM	25	0	21.70	21.74	21.67	22.00	1
		1	0	21.49	21.68	21.56	22.00	1
		1	12	21.48	21.61	21.61	22.00	1
		1	24	21.59	21.57	21.62	22.00	1
		12	0	20.53	20.61	20.55	21.00	2
		12	6	20.57	20.68	20.69	21.00	2
5	64-QAM	12	13	20.51	20.54	20.58	21.00	2
		25	0	20.53	20.62	20.67	21.00	2
		1	0	20.54	20.70	20.69	21.00	2
		1	12	20.57	20.63	20.55	21.00	2
		1	24	20.56	20.53	20.70	21.00	2
		12	0	19.55	19.60	19.72	20.00	3
5	256-QAM	12	6	19.63	19.57	19.79	20.00	3
		12	13	19.64	19.53	19.63	20.00	3
		25	0	19.54	19.65	19.65	20.00	3
		1	0	19.62	19.63	19.59	20.00	3
		1	12	19.55	19.72	19.67	20.00	3
		1	24	19.52	19.59	19.55	20.00	3
5	256-QAM	12	0	18.62	18.61	18.68	19.00	4
		12	6	18.55	18.63	18.64	19.00	4
		12	13	18.54	18.61	18.74	19.00	4
		25	0	18.59	18.76	18.68	19.00	4

Unless otherwise stated the results shown in this test report refer only to the sample(s) tested and such sample(s) are retained for 90 days only.

除非另有說明，此報告結果僅對測試之樣品負責，同時此樣品僅保留90天。本報告未經本公司書面許可，不可部份複製。

This document is issued by the Company subject to its General Conditions of Service printed overleaf, available on request or accessible at <http://www.sgs.com.tw/Terms-and-Conditions> and for electronic format documents, subject to Terms and Conditions for Electronic Documents at <http://www.sgs.com.tw/Terms-and-Conditions>. Attention is drawn to the limitation of liability, indemnification and jurisdiction issues defined therein. Any holder of this document is advised that information contained hereon reflects the Company's findings at the time of its intervention only and within the limits of Client's instructions, if any. The Company's sole responsibility is to its Client and this document does not exonerate parties to a transaction from exercising all their rights and obligations under the transaction documents. This document cannot be reproduced except in full, without prior written approval of the Company. Any unauthorized alteration, forgery or falsification of the content or appearance of this document is unlawful and offenders may be prosecuted to the fullest extent of the law.

LTE Band 25								
BW(MHz)	Modulation	RB Size	RB Offset	Conducted power (dBm)			Target Power + Max. Tolerance (dBm)	MPR Allowed per 3GPP(dB)
Frequency (MHz)			1860	1882.5	1905			
Channel			26140	26365	26590			
20	QPSK	1	0	22.59	22.74	22.62	23.00	0
		1	50	22.47	22.66	22.46	23.00	0
		1	99	22.43	22.49	22.46	23.00	0
		50	0	21.51	21.67	21.35	22.00	1
		50	25	21.44	21.48	21.54	22.00	1
		50	50	21.45	21.58	21.48	22.00	1
20	16-QAM	100	0	21.40	21.57	21.43	22.00	1
		1	0	21.55	21.52	21.47	22.00	1
		1	50	21.38	21.62	21.48	22.00	1
		1	99	21.51	21.72	21.51	22.00	1
		50	0	20.37	20.48	20.48	21.00	2
		50	25	20.39	20.48	20.39	21.00	2
20	64-QAM	50	50	20.49	20.63	20.44	21.00	2
		100	0	20.33	20.58	20.36	21.00	2
		1	0	20.33	20.59	20.50	21.00	2
		1	50	20.53	20.60	20.46	21.00	2
		1	99	20.39	20.49	20.48	21.00	2
		50	0	19.38	19.59	19.37	20.00	3
20	256-QAM	50	25	19.43	19.54	19.44	20.00	3
		50	50	19.43	19.57	19.47	20.00	3
		100	0	19.47	19.57	19.50	20.00	3
		1	0	19.38	19.64	19.54	20.00	3
		1	50	19.48	19.59	19.52	20.00	3
		1	99	19.55	19.52	19.50	20.00	3
20	256-QAM	50	0	18.33	18.69	18.56	19.00	4
		50	25	18.37	18.53	18.50	19.00	4
		50	50	18.45	18.55	18.35	19.00	4
		100	0	18.39	18.53	18.42	19.00	4

Unless otherwise stated the results shown in this test report refer only to the sample(s) tested and such sample(s) are retained for 90 days only.

除非另有說明，此報告結果僅對測試之樣品負責，同時此樣品僅保留90天。本報告未經本公司書面許可，不可部份複製。

This document is issued by the Company subject to its General Conditions of Service printed overleaf, available on request or accessible at <http://www.sgs.com.tw/Terms-and-Conditions> and for electronic format documents, subject to Terms and Conditions for Electronic Documents at <http://www.sgs.com.tw/Terms-and-Conditions>. Attention is drawn to the limitation of liability, indemnification and jurisdiction issues defined therein. Any holder of this document is advised that information contained hereon reflects the Company's findings at the time of its intervention only and within the limits of Client's instructions, if any. The Company's sole responsibility is to its Client and this document does not exonerate parties to a transaction from exercising all their rights and obligations under the transaction documents. This document cannot be reproduced except in full, without prior written approval of the Company. Any unauthorized alteration, forgery or falsification of the content or appearance of this document is unlawful and offenders may be prosecuted to the fullest extent of the law.

LTE Band 25								
BW(MHz)	Modulation	RB Size	RB Offset	Conducted power (dBm)			Target Power + Max. Tolerance (dBm)	MPR Allowed per 3GPP(dB)
Frequency (MHz)				1857.5	1882.5	1907.5		
Channel				26115	26365	26615		
15	QPSK	1	0	22.49	22.56	22.35	23.00	0
		1	36	22.37	22.49	22.45	23.00	0
		1	74	22.31	22.61	22.56	23.00	0
		36	0	21.43	21.52	21.45	22.00	1
		36	18	21.38	21.68	21.48	22.00	1
		36	37	21.40	21.52	21.39	22.00	1
15	16-QAM	75	0	21.30	21.63	21.55	22.00	1
		1	0	21.35	21.54	21.46	22.00	1
		1	36	21.52	21.59	21.49	22.00	1
		1	74	21.53	21.51	21.36	22.00	1
		36	0	20.45	20.45	20.38	21.00	2
		36	18	20.54	20.57	20.50	21.00	2
15	64-QAM	36	37	20.55	20.50	20.50	21.00	2
		75	0	20.48	20.52	20.50	21.00	2
		1	0	20.49	20.48	20.52	21.00	2
		1	36	20.56	20.54	20.52	21.00	2
		1	74	20.55	20.57	20.47	21.00	2
		36	0	19.41	19.57	19.40	20.00	3
15	256-QAM	36	18	19.46	19.54	19.39	20.00	3
		36	37	19.48	19.64	19.48	20.00	3
		75	0	19.37	19.59	19.49	20.00	3
		1	0	19.48	19.61	19.39	20.00	3
		1	36	19.48	19.59	19.40	20.00	3
		1	74	19.36	19.61	19.56	20.00	3
15	256-QAM	36	0	18.53	18.59	18.45	19.00	4
		36	18	18.39	18.56	18.56	19.00	4
		36	37	18.48	18.64	18.56	19.00	4
		75	0	18.46	18.61	18.32	19.00	4

Unless otherwise stated the results shown in this test report refer only to the sample(s) tested and such sample(s) are retained for 90 days only.

除非另有說明，此報告結果僅對測試之樣品負責，同時此樣品僅保留90天。本報告未經本公司書面許可，不可部份複製。

This document is issued by the Company subject to its General Conditions of Service printed overleaf, available on request or accessible at <http://www.sgs.com.tw/Terms-and-Conditions> and for electronic format documents, subject to Terms and Conditions for Electronic Documents at <http://www.sgs.com.tw/Terms-and-Conditions>. Attention is drawn to the limitation of liability, indemnification and jurisdiction issues defined therein. Any holder of this document is advised that information contained hereon reflects the Company's findings at the time of its intervention only and within the limits of Client's instructions, if any. The Company's sole responsibility is to its Client and this document does not exonerate parties to a transaction from exercising all their rights and obligations under the transaction documents. This document cannot be reproduced except in full, without prior written approval of the Company. Any unauthorized alteration, forgery or falsification of the content or appearance of this document is unlawful and offenders may be prosecuted to the fullest extent of the law.

LTE Band 25								
BW(MHz)	Modulation	RB Size	RB Offset	Conducted power (dBm)			Target Power + Max. Tolerance (dBm)	MPR Allowed per 3GPP(dB)
Frequency (MHz)			1855	1882.5	1910			
Channel			26090	26365	26640			
10	QPSK	1	0	22.49	22.58	22.55	23.00	0
		1	25	22.46	22.59	22.51	23.00	0
		1	49	22.48	22.54	22.37	23.00	0
		25	0	21.55	21.47	21.53	22.00	1
		25	12	21.40	21.63	21.37	22.00	1
		25	25	21.52	21.71	21.47	22.00	1
10	16-QAM	50	0	21.40	21.55	21.56	22.00	1
		1	0	21.32	21.64	21.42	22.00	1
		1	25	21.46	21.55	21.56	22.00	1
		1	49	21.41	21.59	21.50	22.00	1
		25	0	20.44	20.57	20.55	21.00	2
		25	12	20.49	20.70	20.40	21.00	2
10	64-QAM	25	25	20.39	20.67	20.42	21.00	2
		50	0	20.52	20.61	20.47	21.00	2
		1	0	20.46	20.62	20.52	21.00	2
		1	25	20.30	20.68	20.41	21.00	2
		1	49	20.36	20.55	20.33	21.00	2
		25	0	19.42	19.54	19.49	20.00	3
10	256-QAM	25	12	19.40	19.66	19.44	20.00	3
		25	25	19.41	19.62	19.59	20.00	3
		50	0	19.55	19.59	19.50	20.00	3
		1	0	19.38	19.51	19.42	20.00	3
		1	25	19.41	19.61	19.48	20.00	3
		1	49	19.47	19.59	19.45	20.00	3
10	256-QAM	25	0	18.31	18.51	18.48	19.00	4
		25	12	18.50	18.58	18.45	19.00	4
		25	25	18.34	18.52	18.49	19.00	4
		50	0	18.44	18.61	18.43	19.00	4

Unless otherwise stated the results shown in this test report refer only to the sample(s) tested and such sample(s) are retained for 90 days only.

除非另有說明，此報告結果僅對測試之樣品負責，同時此樣品僅保留90天。本報告未經本公司書面許可，不可部份複製。

This document is issued by the Company subject to its General Conditions of Service printed overleaf, available on request or accessible at <http://www.sgs.com.tw/Terms-and-Conditions> and for electronic format documents, subject to Terms and Conditions for Electronic Documents at <http://www.sgs.com.tw/Terms-and-Conditions>. Attention is drawn to the limitation of liability, indemnification and jurisdiction issues defined therein. Any holder of this document is advised that information contained hereon reflects the Company's findings at the time of its intervention only and within the limits of Client's instructions, if any. The Company's sole responsibility is to its Client and this document does not exonerate parties to a transaction from exercising all their rights and obligations under the transaction documents. This document cannot be reproduced except in full, without prior written approval of the Company. Any unauthorized alteration, forgery or falsification of the content or appearance of this document is unlawful and offenders may be prosecuted to the fullest extent of the law.

LTE Band 25								
BW(MHz)	Modulation	RB Size	RB Offset	Conducted power (dBm)			Target Power + Max. Tolerance (dBm)	MPR Allowed per 3GPP(dB)
Frequency (MHz)			1852.5	1882.5	1912.5			
Channel			26065	26365	26665			
5	QPSK	1	0	22.47	22.58	22.51	23.00	0
		1	12	22.53	22.63	22.38	23.00	0
		1	24	22.53	22.60	22.44	23.00	0
		12	0	21.40	21.57	21.50	22.00	1
		12	6	21.52	21.49	21.58	22.00	1
		12	13	21.41	21.63	21.45	22.00	1
5	16-QAM	25	0	21.45	21.46	21.47	22.00	1
		1	0	21.44	21.62	21.52	22.00	1
		1	12	21.54	21.64	21.52	22.00	1
		1	24	21.45	21.57	21.43	22.00	1
		12	0	20.42	20.61	20.58	21.00	2
		12	6	20.44	20.53	20.48	21.00	2
5	64-QAM	12	13	20.31	20.60	20.35	21.00	2
		25	0	20.43	20.49	20.53	21.00	2
		1	0	20.39	20.48	20.40	21.00	2
		1	12	20.36	20.60	20.50	21.00	2
		1	24	20.41	20.53	20.59	21.00	2
		12	0	19.35	19.67	19.42	20.00	3
5	256-QAM	12	6	19.40	19.55	19.50	20.00	3
		12	13	19.36	19.57	19.46	20.00	3
		25	0	19.44	19.57	19.35	20.00	3
		1	0	19.35	19.64	19.51	20.00	3
		1	12	19.55	19.49	19.51	20.00	3
		1	24	19.43	19.50	19.56	20.00	3
5	256-QAM	12	0	18.49	18.44	18.47	19.00	4
		12	6	18.42	18.56	18.41	19.00	4
		12	13	18.47	18.55	18.36	19.00	4
		25	0	18.51	18.52	18.48	19.00	4

Unless otherwise stated the results shown in this test report refer only to the sample(s) tested and such sample(s) are retained for 90 days only.

除非另有說明，此報告結果僅對測試之樣品負責，同時此樣品僅保留90天。本報告未經本公司書面許可，不可部份複製。

This document is issued by the Company subject to its General Conditions of Service printed overleaf, available on request or accessible at <http://www.sgs.com.tw/Terms-and-Conditions> and for electronic format documents, subject to Terms and Conditions for Electronic Documents at <http://www.sgs.com.tw/Terms-and-Conditions>. Attention is drawn to the limitation of liability, indemnification and jurisdiction issues defined therein. Any holder of this document is advised that information contained hereon reflects the Company's findings at the time of its intervention only and within the limits of Client's instructions, if any. The Company's sole responsibility is to its Client and this document does not exonerate parties to a transaction from exercising all their rights and obligations under the transaction documents. This document cannot be reproduced except in full, without prior written approval of the Company. Any unauthorized alteration, forgery or falsification of the content or appearance of this document is unlawful and offenders may be prosecuted to the fullest extent of the law.

LTE Band 25								
BW(MHz)	Modulation	RB Size	RB Offset	Conducted power (dBm)			Target Power + Max. Tolerance (dBm)	MPR Allowed per 3GPP(dB)
Frequency (MHz)				1851.5	1882.5	1913.5		
Channel				26055	26365	26675		
3	QPSK	1	0	22.41	22.52	22.47	23.00	0
		1	7	22.49	22.62	22.52	23.00	0
		1	14	22.49	22.55	22.37	23.00	0
		8	0	21.40	21.49	21.42	22.00	1
		8	4	21.42	21.68	21.46	22.00	1
		8	7	21.45	21.58	21.56	22.00	1
3	16-QAM	15	0	21.41	21.67	21.54	22.00	1
		1	0	21.38	21.55	21.45	22.00	1
		1	7	21.41	21.54	21.35	22.00	1
		1	14	21.36	21.53	21.50	22.00	1
		8	0	20.43	20.68	20.39	21.00	2
		8	4	20.44	20.49	20.44	21.00	2
3	64-QAM	8	7	20.53	20.58	20.52	21.00	2
		15	0	20.38	20.55	20.52	21.00	2
		1	0	20.45	20.49	20.51	21.00	2
		1	7	20.38	20.56	20.46	21.00	2
		1	14	20.56	20.63	20.36	21.00	2
		8	0	19.57	19.66	19.42	20.00	3
3	256-QAM	8	4	19.48	19.62	19.44	20.00	3
		8	7	19.33	19.55	19.46	20.00	3
		15	0	19.39	19.57	19.57	20.00	3
		1	0	19.42	19.60	19.52	20.00	3
		1	7	19.52	19.60	19.57	20.00	3
		1	14	19.41	19.45	19.57	20.00	3
3	256-QAM	8	0	18.50	18.62	18.41	19.00	4
		8	4	18.49	18.51	18.43	19.00	4
		8	7	18.39	18.60	18.42	19.00	4
		15	0	18.33	18.60	18.53	19.00	4

Unless otherwise stated the results shown in this test report refer only to the sample(s) tested and such sample(s) are retained for 90 days only.

除非另有說明，此報告結果僅對測試之樣品負責，同時此樣品僅保留90天。本報告未經本公司書面許可，不可部份複製。

This document is issued by the Company subject to its General Conditions of Service printed overleaf, available on request or accessible at <http://www.sgs.com.tw/Terms-and-Conditions> and for electronic format documents, subject to Terms and Conditions for Electronic Documents at <http://www.sgs.com.tw/Terms-and-Conditions>. Attention is drawn to the limitation of liability, indemnification and jurisdiction issues defined therein. Any holder of this document is advised that information contained hereon reflects the Company's findings at the time of its intervention only and within the limits of Client's instructions, if any. The Company's sole responsibility is to its Client and this document does not exonerate parties to a transaction from exercising all their rights and obligations under the transaction documents. This document cannot be reproduced except in full, without prior written approval of the Company. Any unauthorized alteration, forgery or falsification of the content or appearance of this document is unlawful and offenders may be prosecuted to the fullest extent of the law.

LTE Band 25								
BW(MHz)	Modulation	RB Size	RB Offset	Conducted power (dBm)			Target Power + Max. Tolerance (dBm)	MPR Allowed per 3GPP(dB)
Frequency (MHz)			1850.7	1882.5	1914.3			
Channel			26047	26365	26683			
1.4	QPSK	1	0	22.49	22.63	22.51	23.00	0
		1	2	22.33	22.69	22.43	23.00	0
		1	5	22.50	22.65	22.47	23.00	0
		3	0	22.52	22.65	22.48	23.00	0
		3	2	22.49	22.63	22.49	23.00	0
		3	3	22.49	22.65	22.41	23.00	0
1.4	16-QAM	6	0	21.46	21.58	21.40	22.00	1
		1	0	21.45	21.56	21.37	22.00	1
		1	2	21.37	21.55	21.38	22.00	1
		1	5	21.39	21.61	21.42	22.00	1
		3	0	21.44	21.45	21.50	22.00	1
		3	2	21.40	21.70	21.48	22.00	1
1.4	64-QAM	3	3	21.54	21.59	21.46	22.00	1
		6	0	20.40	20.54	20.35	21.00	2
		1	0	20.44	20.57	20.47	21.00	2
		1	2	20.53	20.49	20.45	21.00	2
		1	5	20.36	20.55	20.48	21.00	2
		3	0	20.44	20.58	20.48	21.00	2
1.4	256-QAM	3	2	20.44	20.61	20.41	21.00	2
		3	3	20.39	20.58	20.37	21.00	2
		6	0	19.43	19.70	19.40	20.00	3
		1	0	19.54	19.66	19.48	20.00	3
		1	2	19.31	19.62	19.40	20.00	3
		1	5	19.47	19.57	19.43	20.00	3
1.4	256-QAM	3	0	19.40	19.60	19.50	20.00	3
		3	2	19.39	19.67	19.35	20.00	3
		3	3	19.34	19.61	19.51	20.00	3
		6	0	18.48	18.53	18.44	19.00	4

Unless otherwise stated the results shown in this test report refer only to the sample(s) tested and such sample(s) are retained for 90 days only.

除非另有說明，此報告結果僅對測試之樣品負責，同時此樣品僅保留90天。本報告未經本公司書面許可，不可部份複製。

This document is issued by the Company subject to its General Conditions of Service printed overleaf, available on request or accessible at <http://www.sgs.com.tw/Terms-and-Conditions> and for electronic format documents, subject to Terms and Conditions for Electronic Documents at <http://www.sgs.com.tw/Terms-and-Conditions>. Attention is drawn to the limitation of liability, indemnification and jurisdiction issues defined therein. Any holder of this document is advised that information contained hereon reflects the Company's findings at the time of its intervention only and within the limits of Client's instructions, if any. The Company's sole responsibility is to its Client and this document does not exonerate parties to a transaction from exercising all their rights and obligations under the transaction documents. This document cannot be reproduced except in full, without prior written approval of the Company. Any unauthorized alteration, forgery or falsification of the content or appearance of this document is unlawful and offenders may be prosecuted to the fullest extent of the law.

LTE Band 26_FCC								
BW(MHz)	Modulation	RB Size	RB Offset	Conducted power (dBm)			Target Power + Max. Tolerance (dBm)	MPR Allowed per 3GPP(dB)
Frequency (MHz)				821.5	831.5	841.5		
Channel				26765	26865	26965		
15	QPSK	1	0	22.83	22.82	22.71	23.00	0
		1	36	22.62	22.70	22.65	23.00	0
		1	74	22.69	22.61	22.66	23.00	0
		36	0	21.62	21.64	21.46	22.00	1
		36	18	21.67	21.62	21.64	22.00	1
		36	37	21.61	21.70	21.49	22.00	1
15	16-QAM	75	0	21.67	21.74	21.65	22.00	1
		1	0	21.60	21.64	21.49	22.00	1
		1	36	21.66	21.59	21.63	22.00	1
		1	74	21.76	21.72	21.52	22.00	1
		36	0	20.80	20.63	20.62	21.00	2
		36	18	20.64	20.64	20.59	21.00	2
15	64-QAM	36	37	20.65	20.64	20.53	21.00	2
		75	0	20.66	20.68	20.58	21.00	2
		1	0	20.72	20.78	20.44	21.00	2
		1	36	20.62	20.74	20.52	21.00	2
		1	74	20.78	20.65	20.52	21.00	2
		36	0	19.63	19.71	19.54	20.00	3
15	256-QAM	36	18	19.58	19.59	19.45	20.00	3
		36	37	19.68	19.73	19.64	20.00	3
		75	0	19.61	19.67	19.64	20.00	3
		1	0	19.73	19.65	19.47	20.00	3
		1	36	19.61	19.68	19.53	20.00	3
		1	74	19.72	19.58	19.56	20.00	3
15	256-QAM	36	0	18.70	18.67	18.51	19.00	4
		36	18	18.67	18.59	18.52	19.00	4
		36	37	18.70	18.58	18.49	19.00	4
		75	0	18.68	18.60	18.63	19.00	4

Unless otherwise stated the results shown in this test report refer only to the sample(s) tested and such sample(s) are retained for 90 days only.

除非另有說明，此報告結果僅對測試之樣品負責，同時此樣品僅保留90天。本報告未經本公司書面許可，不可部份複製。

This document is issued by the Company subject to its General Conditions of Service printed overleaf, available on request or accessible at <http://www.sgs.com.tw/Terms-and-Conditions> and for electronic format documents, subject to Terms and Conditions for Electronic Documents at <http://www.sgs.com.tw/Terms-and-Conditions>. Attention is drawn to the limitation of liability, indemnification and jurisdiction issues defined therein. Any holder of this document is advised that information contained hereon reflects the Company's findings at the time of its intervention only and within the limits of Client's instructions, if any. The Company's sole responsibility is to its Client and this document does not exonerate parties to a transaction from exercising all their rights and obligations under the transaction documents. This document cannot be reproduced except in full, without prior written approval of the Company. Any unauthorized alteration, forgery or falsification of the content or appearance of this document is unlawful and offenders may be prosecuted to the fullest extent of the law.

LTE Band 26_FCC								
BW(MHz)	Modulation	RB Size	RB Offset	Conducted power (dBm)			Target Power + Max. Tolerance (dBm)	MPR Allowed per 3GPP(dB)
Frequency (MHz)				819	831.5	844		
Channel				26740	26865	26990		
10	QPSK	1	0	22.66	22.58	22.56	23.00	0
		1	25	22.68	22.69	22.59	23.00	0
		1	49	22.71	22.69	22.52	23.00	0
		25	0	21.63	21.64	21.42	22.00	1
		25	12	21.70	21.63	21.52	22.00	1
		25	25	21.70	21.74	21.42	22.00	1
10	16-QAM	50	0	21.57	21.73	21.51	22.00	1
		1	0	21.78	21.64	21.61	22.00	1
		1	25	21.68	21.66	21.56	22.00	1
		1	49	21.65	21.56	21.50	22.00	1
		25	0	20.74	20.68	20.51	21.00	2
		25	12	20.70	20.61	20.65	21.00	2
10	64-QAM	25	25	20.56	20.71	20.56	21.00	2
		50	0	20.65	20.65	20.55	21.00	2
		1	0	20.61	20.79	20.49	21.00	2
		1	25	20.77	20.66	20.52	21.00	2
		1	49	20.69	20.63	20.49	21.00	2
		25	0	19.63	19.58	19.54	20.00	3
10	256-QAM	25	12	19.67	19.67	19.51	20.00	3
		25	25	19.70	19.73	19.66	20.00	3
		50	0	19.60	19.69	19.59	20.00	3
		1	0	19.74	19.68	19.67	20.00	3
		1	25	19.71	19.66	19.58	20.00	3
		1	49	19.71	19.70	19.48	20.00	3
10	256-QAM	25	0	18.75	18.69	18.60	19.00	4
		25	12	18.61	18.61	18.51	19.00	4
		25	25	18.74	18.68	18.61	19.00	4
		50	0	18.65	18.76	18.61	19.00	4

Unless otherwise stated the results shown in this test report refer only to the sample(s) tested and such sample(s) are retained for 90 days only.

除非另有說明，此報告結果僅對測試之樣品負責，同時此樣品僅保留90天。本報告未經本公司書面許可，不可部份複製。

This document is issued by the Company subject to its General Conditions of Service printed overleaf, available on request or accessible at <http://www.sgs.com.tw/Terms-and-Conditions> and for electronic format documents, subject to Terms and Conditions for Electronic Documents at <http://www.sgs.com.tw/Terms-and-Conditions>. Attention is drawn to the limitation of liability, indemnification and jurisdiction issues defined therein. Any holder of this document is advised that information contained hereon reflects the Company's findings at the time of its intervention only and within the limits of Client's instructions, if any. The Company's sole responsibility is to its Client and this document does not exonerate parties to a transaction from exercising all their rights and obligations under the transaction documents. This document cannot be reproduced except in full, without prior written approval of the Company. Any unauthorized alteration, forgery or falsification of the content or appearance of this document is unlawful and offenders may be prosecuted to the fullest extent of the law.

LTE Band 26_FCC								
BW(MHz)	Modulation	RB Size	RB Offset	Conducted power (dBm)			Target Power + Max. Tolerance (dBm)	MPR Allowed per 3GPP(dB)
Frequency (MHz)				816.5	831.5	846.5		
Channel				26715	26865	27015		
5	QPSK	1	0	22.60	22.71	22.46	23.00	0
		1	12	22.71	22.71	22.53	23.00	0
		1	24	22.60	22.68	22.56	23.00	0
		12	0	21.67	21.71	21.53	22.00	1
		12	6	21.73	21.52	21.58	22.00	1
		12	13	21.70	21.56	21.49	22.00	1
5	16-QAM	25	0	21.72	21.63	21.58	22.00	1
		1	0	21.74	21.59	21.42	22.00	1
		1	12	21.69	21.58	21.52	22.00	1
		1	24	21.71	21.74	21.61	22.00	1
		12	0	20.72	20.72	20.47	21.00	2
		12	6	20.60	20.66	20.58	21.00	2
5	64-QAM	12	13	20.78	20.74	20.55	21.00	2
		25	0	20.56	20.68	20.44	21.00	2
		1	0	20.70	20.75	20.61	21.00	2
		1	12	20.65	20.72	20.58	21.00	2
		1	24	20.66	20.71	20.58	21.00	2
		12	0	19.68	19.70	19.63	20.00	3
5	256-QAM	12	6	19.58	19.63	19.56	20.00	3
		12	13	19.68	19.66	19.47	20.00	3
		25	0	19.68	19.76	19.63	20.00	3
		1	0	19.77	19.68	19.63	20.00	3
		1	12	19.58	19.55	19.49	20.00	3
		1	24	19.63	19.68	19.50	20.00	3
5	256-QAM	12	0	18.66	18.61	18.63	19.00	4
		12	6	18.61	18.73	18.56	19.00	4
		12	13	18.79	18.54	18.60	19.00	4
		25	0	18.59	18.72	18.58	19.00	4

Unless otherwise stated the results shown in this test report refer only to the sample(s) tested and such sample(s) are retained for 90 days only.

除非另有說明，此報告結果僅對測試之樣品負責，同時此樣品僅保留90天。本報告未經本公司書面許可，不可部份複製。

This document is issued by the Company subject to its General Conditions of Service printed overleaf, available on request or accessible at <http://www.sgs.com.tw/Terms-and-Conditions> and for electronic format documents, subject to Terms and Conditions for Electronic Documents at <http://www.sgs.com.tw/Terms-and-Conditions>. Attention is drawn to the limitation of liability, indemnification and jurisdiction issues defined therein. Any holder of this document is advised that information contained hereon reflects the Company's findings at the time of its intervention only and within the limits of Client's instructions, if any. The Company's sole responsibility is to its Client and this document does not exonerate parties to a transaction from exercising all their rights and obligations under the transaction documents. This document cannot be reproduced except in full, without prior written approval of the Company. Any unauthorized alteration, forgery or falsification of the content or appearance of this document is unlawful and offenders may be prosecuted to the fullest extent of the law.

LTE Band 26_FCC								
BW(MHz)	Modulation	RB Size	RB Offset	Conducted power (dBm)			Target Power + Max. Tolerance (dBm)	MPR Allowed per 3GPP(dB)
Frequency (MHz)				815.5	831.5	847.5		
Channel				26705	26865	27025		
3	QPSK	1	0	22.75	22.64	22.57	23.00	0
		1	7	22.72	22.67	22.59	23.00	0
		1	14	22.59	22.72	22.53	23.00	0
		8	0	21.60	21.72	21.55	22.00	1
		8	4	21.78	21.56	21.53	22.00	1
		8	7	21.62	21.61	21.46	22.00	1
3	16-QAM	15	0	21.64	21.74	21.65	22.00	1
		1	0	21.66	21.68	21.58	22.00	1
		1	7	21.63	21.60	21.47	22.00	1
		1	14	21.56	21.76	21.52	22.00	1
		8	0	20.67	20.64	20.58	21.00	2
		8	4	20.60	20.66	20.50	21.00	2
3	64-QAM	8	7	20.63	20.74	20.67	21.00	2
		15	0	20.75	20.69	20.57	21.00	2
		1	0	20.64	20.56	20.49	21.00	2
		1	7	20.72	20.71	20.49	21.00	2
		1	14	20.64	20.73	20.52	21.00	2
		8	0	19.63	19.67	19.54	20.00	3
3	256-QAM	8	4	19.79	19.68	19.47	20.00	3
		8	7	19.58	19.61	19.65	20.00	3
		15	0	19.77	19.68	19.56	20.00	3
		1	0	19.61	19.60	19.64	20.00	3
		1	7	19.69	19.64	19.55	20.00	3
		1	14	19.62	19.57	19.57	20.00	3
3	256-QAM	8	0	18.66	18.76	18.64	19.00	4
		8	4	18.62	18.75	18.54	19.00	4
		8	7	18.65	18.59	18.49	19.00	4
		15	0	18.66	18.55	18.62	19.00	4

Unless otherwise stated the results shown in this test report refer only to the sample(s) tested and such sample(s) are retained for 90 days only.

除非另有說明，此報告結果僅對測試之樣品負責，同時此樣品僅保留90天。本報告未經本公司書面許可，不可部份複製。

This document is issued by the Company subject to its General Conditions of Service printed overleaf, available on request or accessible at <http://www.sgs.com.tw/Terms-and-Conditions> and for electronic format documents, subject to Terms and Conditions for Electronic Documents at <http://www.sgs.com.tw/Terms-and-Conditions>. Attention is drawn to the limitation of liability, indemnification and jurisdiction issues defined therein. Any holder of this document is advised that information contained hereon reflects the Company's findings at the time of its intervention only and within the limits of Client's instructions, if any. The Company's sole responsibility is to its Client and this document does not exonerate parties to a transaction from exercising all their rights and obligations under the transaction documents. This document cannot be reproduced except in full, without prior written approval of the Company. Any unauthorized alteration, forgery or falsification of the content or appearance of this document is unlawful and offenders may be prosecuted to the fullest extent of the law.

LTE Band 26_FCC								
BW(MHz)	Modulation	RB Size	RB Offset	Conducted power (dBm)			Target Power + Max. Tolerance (dBm)	MPR Allowed per 3GPP(dB)
Frequency (MHz)				814.7	831.5	848.3		
Channel				26697	26865	27033		
1.4	QPSK	1	0	22.74	22.56	22.64	23.00	0
		1	2	22.65	22.64	22.46	23.00	0
		1	5	22.59	22.57	22.59	23.00	0
		3	0	21.67	21.65	21.57	23.00	0
		3	2	21.61	21.61	21.57	23.00	0
		3	3	21.71	21.65	21.63	23.00	0
1.4	16-QAM	6	0	21.73	21.66	21.60	22.00	1
		1	0	21.67	21.67	21.53	22.00	1
		1	2	21.65	21.57	21.53	22.00	1
		1	5	21.65	21.58	21.58	22.00	1
		3	0	21.76	21.72	21.68	22.00	1
		3	2	21.61	21.67	21.59	22.00	1
1.4	64-QAM	3	3	21.68	21.59	21.59	22.00	1
		6	0	20.68	20.52	20.56	21.00	2
		1	0	20.76	20.67	20.48	21.00	2
		1	2	20.71	20.73	20.63	21.00	2
		1	5	20.70	20.66	20.57	21.00	2
		3	0	20.67	20.74	20.49	21.00	2
1.4	256-QAM	3	2	20.64	20.64	20.61	21.00	2
		3	3	20.67	20.71	20.47	21.00	2
		6	0	19.71	19.71	19.57	20.00	3
		1	0	19.64	19.56	19.65	20.00	3
		1	2	19.64	19.64	19.69	20.00	3
		1	5	19.77	19.70	19.52	20.00	3
1.4	256-QAM	3	0	19.63	19.65	19.60	20.00	3
		3	2	19.78	19.69	19.64	20.00	3
		3	3	19.77	19.70	19.61	20.00	3
		6	0	18.67	18.66	18.64	19.00	4

Unless otherwise stated the results shown in this test report refer only to the sample(s) tested and such sample(s) are retained for 90 days only.

除非另有說明，此報告結果僅對測試之樣品負責，同時此樣品僅保留90天。本報告未經本公司書面許可，不可部份複製。

This document is issued by the Company subject to its General Conditions of Service printed overleaf, available on request or accessible at <http://www.sgs.com.tw/Terms-and-Conditions> and for electronic format documents, subject to Terms and Conditions for Electronic Documents at <http://www.sgs.com.tw/Terms-and-Conditions>. Attention is drawn to the limitation of liability, indemnification and jurisdiction issues defined therein. Any holder of this document is advised that information contained hereon reflects the Company's findings at the time of its intervention only and within the limits of Client's instructions, if any. The Company's sole responsibility is to its Client and this document does not exonerate parties to a transaction from exercising all their rights and obligations under the transaction documents. This document cannot be reproduced except in full, without prior written approval of the Company. Any unauthorized alteration, forgery or falsification of the content or appearance of this document is unlawful and offenders may be prosecuted to the fullest extent of the law.

LTE Band 66								
BW(MHz)	Modulation	RB Size	RB Offset	Conducted power (dBm)			Target Power + Max. Tolerance (dBm)	MPR Allowed per 3GPP(dB)
Frequency (MHz)				1720	1745	1770		
Channel				132072	132322	132572		
20	QPSK	1	0	22.75	22.83	22.73	23.00	0
		1	50	22.60	22.71	22.65	23.00	0
		1	99	22.51	22.73	22.58	23.00	0
		50	0	21.63	21.73	21.62	22.00	1
		50	25	21.49	21.70	21.56	22.00	1
		50	50	21.66	21.57	21.57	22.00	1
20	16-QAM	100	0	21.56	21.78	21.55	22.00	1
		1	0	21.55	21.64	21.51	22.00	1
		1	50	21.51	21.69	21.48	22.00	1
		1	99	21.61	21.54	21.48	22.00	1
		50	0	20.63	20.68	20.66	21.00	2
		50	25	20.66	20.67	20.51	21.00	2
20	64-QAM	50	50	20.52	20.68	20.51	21.00	2
		100	0	20.59	20.63	20.61	21.00	2
		1	0	20.63	20.69	20.63	21.00	2
		1	50	20.70	20.61	20.56	21.00	2
		1	99	20.59	20.70	20.70	21.00	2
		50	0	19.54	19.68	19.61	20.00	3
20	256-QAM	50	25	19.53	19.53	19.47	20.00	3
		50	50	19.66	19.79	19.60	20.00	3
		100	0	19.52	19.60	19.54	20.00	3
		1	0	19.64	19.70	19.51	20.00	3
		1	50	19.72	19.66	19.53	20.00	3
		1	99	19.55	19.71	19.55	20.00	3
20	256-QAM	50	0	18.65	18.64	18.53	19.00	4
		50	25	18.62	18.76	18.54	19.00	4
		50	50	18.58	18.64	18.52	19.00	4
		100	0	18.63	18.65	18.67	19.00	4

Unless otherwise stated the results shown in this test report refer only to the sample(s) tested and such sample(s) are retained for 90 days only.

除非另有說明，此報告結果僅對測試之樣品負責，同時此樣品僅保留90天。本報告未經本公司書面許可，不可部份複製。

This document is issued by the Company subject to its General Conditions of Service printed overleaf, available on request or accessible at <http://www.sgs.com.tw/Terms-and-Conditions> and for electronic format documents, subject to Terms and Conditions for Electronic Documents at <http://www.sgs.com.tw/Terms-and-Conditions>. Attention is drawn to the limitation of liability, indemnification and jurisdiction issues defined therein. Any holder of this document is advised that information contained hereon reflects the Company's findings at the time of its intervention only and within the limits of Client's instructions, if any. The Company's sole responsibility is to its Client and this document does not exonerate parties to a transaction from exercising all their rights and obligations under the transaction documents. This document cannot be reproduced except in full, without prior written approval of the Company. Any unauthorized alteration, forgery or falsification of the content or appearance of this document is unlawful and offenders may be prosecuted to the fullest extent of the law.

LTE Band 66								
BW(MHz)	Modulation	RB Size	RB Offset	Conducted power (dBm)			Target Power + Max. Tolerance (dBm)	MPR Allowed per 3GPP(dB)
Frequency (MHz)				1717.5	1745	1772.5		
Channel				132047	132322	132597		
15	QPSK	1	0	22.61	22.65	22.66	23.00	0
		1	36	22.59	22.61	22.53	23.00	0
		1	74	22.53	22.77	22.57	23.00	0
		36	0	21.65	21.64	21.57	22.00	1
		36	18	21.67	21.76	21.53	22.00	1
		36	37	21.55	21.59	21.57	22.00	1
15	16-QAM	75	0	21.55	21.64	21.54	22.00	1
		1	0	21.55	21.67	21.58	22.00	1
		1	36	21.52	21.64	21.57	22.00	1
		1	74	21.56	21.67	21.66	22.00	1
		36	0	20.63	20.64	20.58	21.00	2
		36	18	20.64	20.74	20.55	21.00	2
15	64-QAM	36	37	20.63	20.71	20.51	21.00	2
		75	0	20.50	20.65	20.65	21.00	2
		1	0	20.62	20.64	20.58	21.00	2
		1	36	20.60	20.77	20.46	21.00	2
		1	74	20.65	20.64	20.57	21.00	2
		36	0	19.64	19.67	19.51	20.00	3
15	256-QAM	36	18	19.55	19.70	19.57	20.00	3
		36	37	19.63	19.64	19.51	20.00	3
		75	0	19.60	19.59	19.50	20.00	3
		1	0	19.57	19.80	19.63	20.00	3
		1	36	19.51	19.75	19.57	20.00	3
		1	74	19.61	19.61	19.65	20.00	3
15	256-QAM	36	0	18.50	18.75	18.57	19.00	4
		36	18	18.60	18.69	18.47	19.00	4
		36	37	18.62	18.60	18.64	19.00	4
		75	0	18.59	18.68	18.58	19.00	4

Unless otherwise stated the results shown in this test report refer only to the sample(s) tested and such sample(s) are retained for 90 days only.

除非另有說明，此報告結果僅對測試之樣品負責，同時此樣品僅保留90天。本報告未經本公司書面許可，不可部份複製。

This document is issued by the Company subject to its General Conditions of Service printed overleaf, available on request or accessible at <http://www.sgs.com.tw/Terms-and-Conditions> and for electronic format documents, subject to Terms and Conditions for Electronic Documents at <http://www.sgs.com.tw/Terms-and-Conditions>. Attention is drawn to the limitation of liability, indemnification and jurisdiction issues defined therein. Any holder of this document is advised that information contained hereon reflects the Company's findings at the time of its intervention only and within the limits of Client's instructions, if any. The Company's sole responsibility is to its Client and this document does not exonerate parties to a transaction from exercising all their rights and obligations under the transaction documents. This document cannot be reproduced except in full, without prior written approval of the Company. Any unauthorized alteration, forgery or falsification of the content or appearance of this document is unlawful and offenders may be prosecuted to the fullest extent of the law.

LTE Band 66								
BW(MHz)	Modulation	RB Size	RB Offset	Conducted power (dBm)			Target Power + Max. Tolerance (dBm)	MPR Allowed per 3GPP(dB)
Frequency (MHz)				1715	1745	1775		
Channel				132022	132322	132622		
10	QPSK	1	0	22.69	22.69	22.50	23.00	0
		1	25	22.51	22.73	22.60	23.00	0
		1	49	22.65	22.56	22.58	23.00	0
		25	0	21.52	21.62	21.60	22.00	1
		25	12	21.60	21.64	21.70	22.00	1
		25	25	21.70	21.61	21.47	22.00	1
10	16-QAM	50	0	21.63	21.70	21.46	22.00	1
		1	0	21.68	21.66	21.45	22.00	1
		1	25	21.65	21.57	21.61	22.00	1
		1	49	21.53	21.63	21.56	22.00	1
		25	0	20.51	20.63	20.59	21.00	2
		25	12	20.63	20.71	20.70	21.00	2
10	64-QAM	25	25	20.64	20.70	20.45	21.00	2
		50	0	20.55	20.80	20.52	21.00	2
		1	0	20.58	20.56	20.63	21.00	2
		1	25	20.71	20.71	20.52	21.00	2
		1	49	20.64	20.64	20.46	21.00	2
		25	0	19.63	19.62	19.61	20.00	3
10	256-QAM	25	12	19.60	19.64	19.50	20.00	3
		25	25	19.65	19.60	19.62	20.00	3
		50	0	19.50	19.60	19.57	20.00	3
		1	0	19.53	19.54	19.63	20.00	3
		1	25	19.58	19.68	19.53	20.00	3
		1	49	19.54	19.57	19.58	20.00	3
10	256-QAM	25	0	18.67	18.80	18.54	19.00	4
		25	12	18.53	18.73	18.60	19.00	4
		25	25	18.47	18.72	18.55	19.00	4
		50	0	18.62	18.57	18.48	19.00	4

Unless otherwise stated the results shown in this test report refer only to the sample(s) tested and such sample(s) are retained for 90 days only.

除非另有說明，此報告結果僅對測試之樣品負責，同時此樣品僅保留90天。本報告未經本公司書面許可，不可部份複製。

This document is issued by the Company subject to its General Conditions of Service printed overleaf, available on request or accessible at <http://www.sgs.com.tw/Terms-and-Conditions> and for electronic format documents, subject to Terms and Conditions for Electronic Documents at <http://www.sgs.com.tw/Terms-and-Conditions>. Attention is drawn to the limitation of liability, indemnification and jurisdiction issues defined therein. Any holder of this document is advised that information contained hereon reflects the Company's findings at the time of its intervention only and within the limits of Client's instructions, if any. The Company's sole responsibility is to its Client and this document does not exonerate parties to a transaction from exercising all their rights and obligations under the transaction documents. This document cannot be reproduced except in full, without prior written approval of the Company. Any unauthorized alteration, forgery or falsification of the content or appearance of this document is unlawful and offenders may be prosecuted to the fullest extent of the law.

LTE Band 66								
BW(MHz)	Modulation	RB Size	RB Offset	Conducted power (dBm)			Target Power + Max. Tolerance (dBm)	MPR Allowed per 3GPP(dB)
Frequency (MHz)				1712.5	1745	1777.5		
Channel				131997	132322	132647		
5	QPSK	1	0	22.59	22.71	22.61	23.00	0
		1	12	22.56	22.54	22.51	23.00	0
		1	24	22.65	22.76	22.59	23.00	0
		12	0	21.56	21.72	21.59	22.00	1
		12	6	21.62	21.74	21.50	22.00	1
		12	13	21.57	21.62	21.52	22.00	1
5	16-QAM	25	0	21.62	21.63	21.67	22.00	1
		1	0	21.50	21.71	21.60	22.00	1
		1	12	21.62	21.74	21.48	22.00	1
		1	24	21.60	21.74	21.67	22.00	1
		12	0	20.59	20.66	20.63	21.00	2
		12	6	20.65	20.64	20.65	21.00	2
5	64-QAM	12	13	20.65	20.65	20.61	21.00	2
		25	0	20.60	20.67	20.43	21.00	2
		1	0	20.57	20.67	20.52	21.00	2
		1	12	20.58	20.68	20.54	21.00	2
		1	24	20.55	20.64	20.50	21.00	2
		12	0	19.54	19.66	19.61	20.00	3
5	256-QAM	12	6	19.62	19.80	19.46	20.00	3
		12	13	19.64	19.69	19.62	20.00	3
		25	0	19.60	19.74	19.60	20.00	3
		1	0	19.60	19.56	19.60	20.00	3
		1	12	19.49	19.67	19.49	20.00	3
		1	24	19.71	19.78	19.58	20.00	3
5	256-QAM	12	0	18.67	18.62	18.54	19.00	4
		12	6	18.57	18.62	18.70	19.00	4
		12	13	18.47	18.66	18.59	19.00	4
		25	0	18.56	18.70	18.61	19.00	4

Unless otherwise stated the results shown in this test report refer only to the sample(s) tested and such sample(s) are retained for 90 days only.

除非另有說明，此報告結果僅對測試之樣品負責，同時此樣品僅保留90天。本報告未經本公司書面許可，不可部份複製。

This document is issued by the Company subject to its General Conditions of Service printed overleaf, available on request or accessible at <http://www.sgs.com.tw/Terms-and-Conditions> and for electronic format documents, subject to Terms and Conditions for Electronic Documents at <http://www.sgs.com.tw/Terms-and-Conditions>. Attention is drawn to the limitation of liability, indemnification and jurisdiction issues defined therein. Any holder of this document is advised that information contained hereon reflects the Company's findings at the time of its intervention only and within the limits of Client's instructions, if any. The Company's sole responsibility is to its Client and this document does not exonerate parties to a transaction from exercising all their rights and obligations under the transaction documents. This document cannot be reproduced except in full, without prior written approval of the Company. Any unauthorized alteration, forgery or falsification of the content or appearance of this document is unlawful and offenders may be prosecuted to the fullest extent of the law.

LTE Band 66								
BW(MHz)	Modulation	RB Size	RB Offset	Conducted power (dBm)			Target Power + Max. Tolerance (dBm)	MPR Allowed per 3GPP(dB)
Frequency (MHz)				1711.5	1745	1778.5		
Channel				131987	132322	132657		
3	QPSK	1	0	22.51	22.67	22.57	23.00	0
		1	7	22.49	22.72	22.60	23.00	0
		1	14	22.51	22.63	22.58	23.00	0
		8	0	21.51	21.63	21.66	22.00	1
		8	4	21.61	21.72	21.55	22.00	1
		8	7	21.49	21.60	21.50	22.00	1
3	16-QAM	15	0	21.68	21.68	21.53	22.00	1
		1	0	21.60	21.58	21.53	22.00	1
		1	7	21.58	21.75	21.61	22.00	1
		1	14	21.64	21.66	21.66	22.00	1
		8	0	20.50	20.70	20.63	21.00	2
		8	4	20.48	20.58	20.60	21.00	2
3	64-QAM	8	7	20.56	20.60	20.49	21.00	2
		15	0	20.63	20.67	20.45	21.00	2
		1	0	20.58	20.70	20.51	21.00	2
		1	7	20.66	20.76	20.53	21.00	2
		1	14	20.62	20.73	20.52	21.00	2
		8	0	19.58	19.66	19.45	20.00	3
3	256-QAM	8	4	19.58	19.68	19.63	20.00	3
		8	7	19.60	19.73	19.46	20.00	3
		15	0	19.52	19.65	19.49	20.00	3
		1	0	19.55	19.58	19.57	20.00	3
		1	7	19.57	19.56	19.47	20.00	3
		1	14	19.69	19.70	19.69	20.00	3
3	256-QAM	8	0	18.73	18.71	18.57	19.00	4
		8	4	18.48	18.70	18.45	19.00	4
		8	7	18.59	18.72	18.52	19.00	4
		15	0	18.67	18.62	18.56	19.00	4

Unless otherwise stated the results shown in this test report refer only to the sample(s) tested and such sample(s) are retained for 90 days only.

除非另有說明，此報告結果僅對測試之樣品負責，同時此樣品僅保留90天。本報告未經本公司書面許可，不可部份複製。

This document is issued by the Company subject to its General Conditions of Service printed overleaf, available on request or accessible at <http://www.sgs.com.tw/Terms-and-Conditions> and for electronic format documents, subject to Terms and Conditions for Electronic Documents at <http://www.sgs.com.tw/Terms-and-Conditions>. Attention is drawn to the limitation of liability, indemnification and jurisdiction issues defined therein. Any holder of this document is advised that information contained hereon reflects the Company's findings at the time of its intervention only and within the limits of Client's instructions, if any. The Company's sole responsibility is to its Client and this document does not exonerate parties to a transaction from exercising all their rights and obligations under the transaction documents. This document cannot be reproduced except in full, without prior written approval of the Company. Any unauthorized alteration, forgery or falsification of the content or appearance of this document is unlawful and offenders may be prosecuted to the fullest extent of the law.

LTE Band 66								
BW(MHz)	Modulation	RB Size	RB Offset	Conducted power (dBm)			Target Power + Max. Tolerance (dBm)	MPR Allowed per 3GPP(dB)
Frequency (MHz)				1710.7	1745	1779.3		
Channel				131979	132322	132665		
1.4	QPSK	1	0	22.52	22.68	22.53	23.00	0
		1	2	22.59	22.61	22.65	23.00	0
		1	5	22.70	22.64	22.58	23.00	0
		3	0	22.54	22.78	22.52	23.00	0
		3	2	22.56	22.58	22.68	23.00	0
		3	3	22.54	22.59	22.68	23.00	0
1.4	16-QAM	6	0	21.56	21.64	21.59	22.00	1
		1	0	21.64	21.58	21.62	22.00	1
		1	2	21.52	21.72	21.58	22.00	1
		1	5	21.61	21.65	21.58	22.00	1
		3	0	21.64	21.58	21.51	22.00	1
		3	2	21.61	21.67	21.61	22.00	1
1.4	64-QAM	3	3	21.60	21.70	21.53	22.00	1
		6	0	20.62	20.67	20.63	21.00	2
		1	0	20.59	20.64	20.57	21.00	2
		1	2	20.55	20.55	20.50	21.00	2
		1	5	20.49	20.67	20.60	21.00	2
		3	0	20.55	20.58	20.49	21.00	2
1.4	256-QAM	3	2	20.57	20.69	20.50	21.00	2
		3	3	20.61	20.63	20.64	21.00	2
		6	0	19.63	19.69	19.53	20.00	3
		1	0	19.61	19.71	19.51	20.00	3
		1	2	19.55	19.77	19.52	20.00	3
		1	5	19.58	19.63	19.54	20.00	3
1.4	256-QAM	3	0	19.60	19.76	19.65	20.00	3
		3	2	19.66	19.68	19.49	20.00	3
		3	3	19.46	19.66	19.54	20.00	3
		6	0	18.57	18.66	18.47	19.00	4

Unless otherwise stated the results shown in this test report refer only to the sample(s) tested and such sample(s) are retained for 90 days only.

除非另有說明，此報告結果僅對測試之樣品負責，同時此樣品僅保留90天。本報告未經本公司書面許可，不可部份複製。

This document is issued by the Company subject to its General Conditions of Service printed overleaf, available on request or accessible at <http://www.sgs.com.tw/Terms-and-Conditions> and for electronic format documents, subject to Terms and Conditions for Electronic Documents at <http://www.sgs.com.tw/Terms-and-Conditions>. Attention is drawn to the limitation of liability, indemnification and jurisdiction issues defined therein. Any holder of this document is advised that information contained hereon reflects the Company's findings at the time of its intervention only and within the limits of Client's instructions, if any. The Company's sole responsibility is to its Client and this document does not exonerate parties to a transaction from exercising all their rights and obligations under the transaction documents. This document cannot be reproduced except in full, without prior written approval of the Company. Any unauthorized alteration, forgery or falsification of the content or appearance of this document is unlawful and offenders may be prosecuted to the fullest extent of the law.

SGS Taiwan Ltd. No.134,Wu Kung Road, New Taipei Industrial Park, Wuku District, New Taipei City, Taiwan/新北市五股區新北產業園區五工路 134 號

LTE Band 71								
BW(MHz)	Modulation	RB Size	RB Offset	Conducted power (dBm)			Target Power + Max. Tolerance (dBm)	MPR Allowed per 3GPP(dB)
Frequency (MHz)				668	680.5	693		
Channel				133172	133297	133422		
10	QPSK	1	0	22.70	22.77	22.71	23.00	0
		1	25	22.78	22.71	22.72	23.00	0
		1	49	22.86	22.74	22.81	23.00	0
		25	0	21.82	21.62	21.77	22.00	1
		25	12	21.82	21.80	21.62	22.00	1
		25	25	21.73	21.74	21.72	22.00	1
10	16-QAM	50	0	21.80	21.65	21.76	22.00	1
		1	0	21.87	21.66	21.69	22.00	1
		1	25	21.76	21.84	21.77	22.00	1
		1	49	21.88	21.82	21.72	22.00	1
		25	0	20.77	20.70	20.70	21.00	2
		25	12	20.70	20.69	20.81	21.00	2
10	64-QAM	25	25	20.82	20.76	20.75	21.00	2
		50	0	20.74	20.75	20.75	21.00	2
		1	0	20.81	20.68	20.74	21.00	2
		1	25	20.72	20.63	20.74	21.00	2
		1	49	20.77	20.74	20.69	21.00	2
		25	0	19.76	19.68	19.74	20.00	3
10	256-QAM	25	12	19.86	19.71	19.78	20.00	3
		25	25	19.78	19.80	19.71	20.00	3
		50	0	19.83	19.70	19.63	20.00	3
		1	0	19.76	19.76	19.78	20.00	3
		1	25	19.68	19.79	19.74	20.00	3
		1	49	19.75	19.76	19.66	20.00	3
10	256-QAM	25	0	18.76	18.88	18.60	19.00	4
		25	12	18.76	18.75	18.73	19.00	4
		25	25	18.87	18.65	18.67	19.00	4
		50	0	18.74	18.77	18.64	19.00	4

Unless otherwise stated the results shown in this test report refer only to the sample(s) tested and such sample(s) are retained for 90 days only.

除非另有說明，此報告結果僅對測試之樣品負責，同時此樣品僅保留90天。本報告未經本公司書面許可，不可部份複製。

This document is issued by the Company subject to its General Conditions of Service printed overleaf, available on request or accessible at <http://www.sgs.com.tw/Terms-and-Conditions> and for electronic format documents, subject to Terms and Conditions for Electronic Documents at <http://www.sgs.com.tw/Terms-and-Conditions>. Attention is drawn to the limitation of liability, indemnification and jurisdiction issues defined therein. Any holder of this document is advised that information contained hereon reflects the Company's findings at the time of its intervention only and within the limits of Client's instructions, if any. The Company's sole responsibility is to its Client and this document does not exonerate parties to a transaction from exercising all their rights and obligations under the transaction documents. This document cannot be reproduced except in full, without prior written approval of the Company. Any unauthorized alteration, forgery or falsification of the content or appearance of this document is unlawful and offenders may be prosecuted to the fullest extent of the law.

LTE Band 71								
BW(MHz)	Modulation	RB Size	RB Offset	Conducted power (dBm)			Target Power + Max. Tolerance (dBm)	MPR Allowed per 3GPP(dB)
Frequency (MHz)				665.5	680.5	695.5		
Channel				133147	133297	133447		
5	QPSK	1	0	22.85	22.81	22.69	23.00	0
		1	12	22.73	22.86	22.72	23.00	0
		1	24	22.82	22.72	22.62	23.00	0
		12	0	21.81	21.66	21.74	22.00	1
		12	6	21.77	21.77	21.73	22.00	1
		12	13	21.79	21.73	21.67	22.00	1
5	16-QAM	25	0	21.82	21.65	21.75	22.00	1
		1	0	21.73	21.68	21.58	22.00	1
		1	12	21.71	21.72	21.67	22.00	1
		1	24	21.80	21.66	21.74	22.00	1
		12	0	20.79	20.75	20.73	21.00	2
		12	6	20.78	20.77	20.61	21.00	2
5	64-QAM	12	13	20.75	20.80	20.67	21.00	2
		25	0	20.81	20.80	20.69	21.00	2
		1	0	20.80	20.80	20.61	21.00	2
		1	12	20.83	20.80	20.62	21.00	2
		1	24	20.68	20.79	20.70	21.00	2
		12	0	19.76	19.73	19.65	20.00	3
5	256-QAM	12	6	19.90	19.78	19.78	20.00	3
		12	13	19.83	19.84	19.71	20.00	3
		25	0	19.88	19.70	19.64	20.00	3
		1	0	19.78	19.74	19.77	20.00	3
		1	12	19.71	19.68	19.62	20.00	3
		1	24	19.78	19.73	19.63	20.00	3
5	256-QAM	12	0	18.69	18.77	18.70	19.00	4
		12	6	18.86	18.65	18.70	19.00	4
		12	13	18.82	18.66	18.67	19.00	4
		25	0	18.74	18.71	18.61	19.00	4

Unless otherwise stated the results shown in this test report refer only to the sample(s) tested and such sample(s) are retained for 90 days only.

除非另有說明，此報告結果僅對測試之樣品負責，同時此樣品僅保留90天。本報告未經本公司書面許可，不可部份複製。

This document is issued by the Company subject to its General Conditions of Service printed overleaf, available on request or accessible at <http://www.sgs.com.tw/Terms-and-Conditions> and for electronic format documents, subject to Terms and Conditions for Electronic Documents at <http://www.sgs.com.tw/Terms-and-Conditions>. Attention is drawn to the limitation of liability, indemnification and jurisdiction issues defined therein. Any holder of this document is advised that information contained hereon reflects the Company's findings at the time of its intervention only and within the limits of Client's instructions, if any. The Company's sole responsibility is to its Client and this document does not exonerate parties to a transaction from exercising all their rights and obligations under the transaction documents. This document cannot be reproduced except in full, without prior written approval of the Company. Any unauthorized alteration, forgery or falsification of the content or appearance of this document is unlawful and offenders may be prosecuted to the fullest extent of the law.

LTE Band 7								
BW(MHz)	Modulation	RB Size	RB Offset	Conducted power (dBm)			Target Power + Max. Tolerance (dBm)	MPR Allowed per 3GPP(dB)
Frequency (MHz)				2510	2535	2560		
Channel				20850	21100	21350		
20	QPSK	1	0	20.48	20.52	20.69	21.00	0
		1	50	20.37	20.33	20.54	21.00	0
		1	99	20.33	20.40	20.53	21.00	0
		50	0	19.39	19.33	19.50	20.00	1
		50	25	19.34	19.40	19.44	20.00	1
		50	50	19.35	19.33	19.56	20.00	1
20	16-QAM	100	0	19.40	19.39	19.62	20.00	1
		1	0	19.42	19.49	19.54	20.00	1
		1	50	19.38	19.40	19.45	20.00	1
		1	99	19.28	19.41	19.55	20.00	1
		50	0	18.30	18.41	18.62	19.00	2
		50	25	18.35	18.35	18.52	19.00	2
20	64-QAM	50	50	18.43	18.36	18.58	19.00	2
		100	0	18.31	18.40	18.48	19.00	2
		1	0	18.22	18.27	18.62	19.00	2
		1	50	18.33	18.27	18.62	19.00	2
		1	99	18.32	18.35	18.48	19.00	2
		50	0	17.40	17.34	17.51	18.00	3
20	256-QAM	50	25	17.22	17.32	17.54	18.00	3
		50	50	17.29	17.36	17.47	18.00	3
		100	0	17.34	17.34	17.54	18.00	3
		1	0	17.35	17.35	17.61	18.00	3
		1	50	17.21	17.37	17.54	18.00	3
		1	99	17.33	17.39	17.54	18.00	3
20	256-QAM	50	0	16.30	16.44	16.58	17.00	4
		50	25	16.36	16.43	16.51	17.00	4
		50	50	16.46	16.34	16.62	17.00	4
		100	0	16.31	16.37	16.46	17.00	4

Unless otherwise stated the results shown in this test report refer only to the sample(s) tested and such sample(s) are retained for 90 days only.

除非另有說明，此報告結果僅對測試之樣品負責，同時此樣品僅保留90天。本報告未經本公司書面許可，不可部份複製。

This document is issued by the Company subject to its General Conditions of Service printed overleaf, available on request or accessible at <http://www.sgs.com.tw/Terms-and-Conditions> and for electronic format documents, subject to Terms and Conditions for Electronic Documents at <http://www.sgs.com.tw/Terms-and-Conditions>. Attention is drawn to the limitation of liability, indemnification and jurisdiction issues defined therein. Any holder of this document is advised that information contained hereon reflects the Company's findings at the time of its intervention only and within the limits of Client's instructions, if any. The Company's sole responsibility is to its Client and this document does not exonerate parties to a transaction from exercising all their rights and obligations under the transaction documents. This document cannot be reproduced except in full, without prior written approval of the Company. Any unauthorized alteration, forgery or falsification of the content or appearance of this document is unlawful and offenders may be prosecuted to the fullest extent of the law.

LTE Band 7								
BW(MHz)	Modulation	RB Size	RB Offset	Conducted power (dBm)			Target Power + Max. Tolerance (dBm)	MPR Allowed per 3GPP(dB)
Frequency (MHz)				2507.5	2535	2562.5		
Channel				20825	21100	21375		
15	QPSK	1	0	20.33	20.44	20.50	21.00	0
		1	36	20.36	20.37	20.47	21.00	0
		1	74	20.36	20.30	20.39	21.00	0
		36	0	19.30	19.24	19.58	20.00	1
		36	18	19.32	19.44	19.57	20.00	1
		36	37	19.31	19.38	19.49	20.00	1
15	16-QAM	75	0	19.37	19.37	19.55	20.00	1
		1	0	19.41	19.42	19.40	20.00	1
		1	36	19.29	19.36	19.45	20.00	1
		1	74	19.37	19.25	19.52	20.00	1
		36	0	18.36	18.42	18.65	19.00	2
		36	18	18.27	18.39	18.57	19.00	2
15	64-QAM	36	37	18.37	18.38	18.53	19.00	2
		75	0	18.43	18.31	18.55	19.00	2
		1	0	18.23	18.24	18.43	19.00	2
		1	36	18.28	18.30	18.59	19.00	2
		1	74	18.32	18.36	18.60	19.00	2
		36	0	17.25	17.38	17.48	18.00	3
15	256-QAM	36	18	17.22	17.49	17.52	18.00	3
		36	37	17.19	17.26	17.53	18.00	3
		75	0	17.33	17.41	17.44	18.00	3
		1	0	17.25	17.28	17.61	18.00	3
		1	36	17.36	17.31	17.62	18.00	3
		1	74	17.41	17.39	17.56	18.00	3
15	256-QAM	36	0	16.40	16.39	16.55	17.00	4
		36	18	16.33	16.42	16.44	17.00	4
		36	37	16.38	16.42	16.54	17.00	4
		75	0	16.40	16.38	16.45	17.00	4

Unless otherwise stated the results shown in this test report refer only to the sample(s) tested and such sample(s) are retained for 90 days only.

除非另有說明，此報告結果僅對測試之樣品負責，同時此樣品僅保留90天。本報告未經本公司書面許可，不可部份複製。

This document is issued by the Company subject to its General Conditions of Service printed overleaf, available on request or accessible at <http://www.sgs.com.tw/Terms-and-Conditions> and for electronic format documents, subject to Terms and Conditions for Electronic Documents at <http://www.sgs.com.tw/Terms-and-Conditions>. Attention is drawn to the limitation of liability, indemnification and jurisdiction issues defined therein. Any holder of this document is advised that information contained hereon reflects the Company's findings at the time of its intervention only and within the limits of Client's instructions, if any. The Company's sole responsibility is to its Client and this document does not exonerate parties to a transaction from exercising all their rights and obligations under the transaction documents. This document cannot be reproduced except in full, without prior written approval of the Company. Any unauthorized alteration, forgery or falsification of the content or appearance of this document is unlawful and offenders may be prosecuted to the fullest extent of the law.

LTE Band 7								
BW(MHz)	Modulation	RB Size	RB Offset	Conducted power (dBm)			Target Power + Max. Tolerance (dBm)	MPR Allowed per 3GPP(dB)
Frequency (MHz)			2505	2535	2565			
Channel			20800	21100	21400			
10	QPSK	1	0	20.37	20.23	20.54	21.00	0
		1	25	20.36	20.37	20.51	21.00	0
		1	49	20.38	20.43	20.63	21.00	0
		25	0	19.30	19.30	19.44	20.00	1
		25	12	19.42	19.28	19.59	20.00	1
		25	25	19.41	19.45	19.53	20.00	1
10	16-QAM	50	0	19.28	19.36	19.57	20.00	1
		1	0	19.32	19.31	19.56	20.00	1
		1	25	19.29	19.22	19.53	20.00	1
		1	49	19.33	19.28	19.57	20.00	1
		25	0	18.34	18.33	18.58	19.00	2
		25	12	18.32	18.27	18.51	19.00	2
10	64-QAM	25	25	18.32	18.34	18.44	19.00	2
		50	0	18.35	18.34	18.64	19.00	2
		1	0	18.34	18.43	18.55	19.00	2
		1	25	18.45	18.38	18.46	19.00	2
		1	49	18.19	18.40	18.51	19.00	2
		25	0	17.30	17.37	17.52	18.00	3
10	256-QAM	25	12	17.45	17.46	17.44	18.00	3
		25	25	17.33	17.26	17.49	18.00	3
		50	0	17.37	17.35	17.53	18.00	3
		1	0	17.34	17.28	17.43	18.00	3
		1	25	17.28	17.33	17.61	18.00	3
		1	49	17.35	17.40	17.67	18.00	3
10	256-QAM	25	0	16.32	16.40	16.47	17.00	4
		25	12	16.39	16.37	16.65	17.00	4
		25	25	16.44	16.47	16.44	17.00	4
		50	0	16.32	16.37	16.48	17.00	4

Unless otherwise stated the results shown in this test report refer only to the sample(s) tested and such sample(s) are retained for 90 days only.

除非另有說明，此報告結果僅對測試之樣品負責，同時此樣品僅保留90天。本報告未經本公司書面許可，不可部份複製。

This document is issued by the Company subject to its General Conditions of Service printed overleaf, available on request or accessible at <http://www.sgs.com.tw/Terms-and-Conditions> and for electronic format documents, subject to Terms and Conditions for Electronic Documents at <http://www.sgs.com.tw/Terms-and-Conditions>. Attention is drawn to the limitation of liability, indemnification and jurisdiction issues defined therein. Any holder of this document is advised that information contained hereon reflects the Company's findings at the time of its intervention only and within the limits of Client's instructions, if any. The Company's sole responsibility is to its Client and this document does not exonerate parties to a transaction from exercising all their rights and obligations under the transaction documents. This document cannot be reproduced except in full, without prior written approval of the Company. Any unauthorized alteration, forgery or falsification of the content or appearance of this document is unlawful and offenders may be prosecuted to the fullest extent of the law.

LTE Band 7								
BW(MHz)	Modulation	RB Size	RB Offset	Conducted power (dBm)			Target Power + Max. Tolerance (dBm)	MPR Allowed per 3GPP(dB)
Frequency (MHz)				2502.5	2535	2567.5		
Channel				20775	21100	21425		
5	QPSK	1	0	20.26	20.30	20.55	21.00	0
		1	12	20.28	20.26	20.64	21.00	0
		1	24	20.29	20.35	20.58	21.00	0
		12	0	19.29	19.39	19.57	20.00	1
		12	6	19.33	19.36	19.50	20.00	1
		12	13	19.38	19.27	19.42	20.00	1
5	16-QAM	25	0	19.36	19.33	19.46	20.00	1
		1	0	19.39	19.41	19.54	20.00	1
		1	12	19.38	19.40	19.60	20.00	1
		1	24	19.36	19.29	19.53	20.00	1
		12	0	18.35	18.36	18.50	19.00	2
		12	6	18.41	18.37	18.54	19.00	2
5	64-QAM	12	13	18.34	18.34	18.40	19.00	2
		25	0	18.33	18.23	18.53	19.00	2
		1	0	18.34	18.36	18.66	19.00	2
		1	12	18.37	18.33	18.47	19.00	2
		1	24	18.32	18.35	18.48	19.00	2
		12	0	17.37	17.35	17.45	18.00	3
5	256-QAM	12	6	17.36	17.39	17.54	18.00	3
		12	13	17.37	17.36	17.58	18.00	3
		25	0	17.29	17.31	17.53	18.00	3
		1	0	17.23	17.33	17.51	18.00	3
		1	12	17.31	17.35	17.59	18.00	3
		1	24	17.25	17.31	17.58	18.00	3
5	256-QAM	12	0	16.32	16.38	16.53	17.00	4
		12	6	16.32	16.40	16.51	17.00	4
		12	13	16.26	16.50	16.50	17.00	4
		25	0	16.22	16.26	16.60	17.00	4

Unless otherwise stated the results shown in this test report refer only to the sample(s) tested and such sample(s) are retained for 90 days only.

除非另有說明，此報告結果僅對測試之樣品負責，同時此樣品僅保留90天。本報告未經本公司書面許可，不可部份複製。

This document is issued by the Company subject to its General Conditions of Service printed overleaf, available on request or accessible at <http://www.sgs.com.tw/Terms-and-Conditions> and for electronic format documents, subject to Terms and Conditions for Electronic Documents at <http://www.sgs.com.tw/Terms-and-Conditions>. Attention is drawn to the limitation of liability, indemnification and jurisdiction issues defined therein. Any holder of this document is advised that information contained hereon reflects the Company's findings at the time of its intervention only and within the limits of Client's instructions, if any. The Company's sole responsibility is to its Client and this document does not exonerate parties to a transaction from exercising all their rights and obligations under the transaction documents. This document cannot be reproduced except in full, without prior written approval of the Company. Any unauthorized alteration, forgery or falsification of the content or appearance of this document is unlawful and offenders may be prosecuted to the fullest extent of the law.

LTE Band 30								
BW(MHz)	Modulation	RB Size	RB Offset	Conducted power (dBm)			Target Power + Max. Tolerance (dBm)	MPR Allowed per 3GPP(dB)
Frequency (MHz)			2310	2310	2310			
Channel			27710	27710	27710			
10	QPSK	1	0	20.83	20.83	20.83	21.00	0
		1	25	20.63	20.63	20.63	21.00	0
		1	49	20.66	20.66	20.66	21.00	0
		25	0	19.75	19.75	19.75	20.00	1
		25	12	19.68	19.68	19.68	20.00	1
		25	25	19.58	19.58	19.58	20.00	1
10	16-QAM	50	0	19.60	19.60	19.60	20.00	1
		1	0	19.69	19.69	19.69	20.00	1
		1	25	19.65	19.65	19.65	20.00	1
		1	49	19.70	19.70	19.70	20.00	1
		25	0	18.62	18.62	18.62	19.00	2
		25	12	18.73	18.73	18.73	19.00	2
10	64-QAM	25	25	18.59	18.59	18.59	19.00	2
		50	0	18.67	18.67	18.67	19.00	2
		1	0	18.61	18.61	18.61	19.00	2
		1	25	18.78	18.78	18.78	19.00	2
		1	49	18.68	18.68	18.68	19.00	2
		25	0	17.72	17.72	17.72	18.00	3
10	256-QAM	25	12	17.71	17.71	17.71	18.00	3
		25	25	17.71	17.71	17.71	18.00	3
		50	0	17.68	17.68	17.68	18.00	3
		1	0	17.70	17.70	17.70	18.00	3
		1	25	17.64	17.64	17.64	18.00	3
		1	49	17.75	17.75	17.75	18.00	3
10	256-QAM	25	0	16.81	16.81	16.81	17.00	4
		25	12	16.65	16.65	16.65	17.00	4
		25	25	16.64	16.64	16.64	17.00	4
		50	0	16.65	16.65	16.65	17.00	4
		50	0	16.65	16.65	16.65	17.00	4
		50	0	16.65	16.65	16.65	17.00	4

Unless otherwise stated the results shown in this test report refer only to the sample(s) tested and such sample(s) are retained for 90 days only.

除非另有說明，此報告結果僅對測試之樣品負責，同時此樣品僅保留90天。本報告未經本公司書面許可，不可部份複製。

This document is issued by the Company subject to its General Conditions of Service printed overleaf, available on request or accessible at <http://www.sgs.com.tw/Terms-and-Conditions> and for electronic format documents, subject to Terms and Conditions for Electronic Documents at <http://www.sgs.com.tw/Terms-and-Conditions>. Attention is drawn to the limitation of liability, indemnification and jurisdiction issues defined therein. Any holder of this document is advised that information contained hereon reflects the Company's findings at the time of its intervention only and within the limits of Client's instructions, if any. The Company's sole responsibility is to its Client and this document does not exonerate parties to a transaction from exercising all their rights and obligations under the transaction documents. This document cannot be reproduced except in full, without prior written approval of the Company. Any unauthorized alteration, forgery or falsification of the content or appearance of this document is unlawful and offenders may be prosecuted to the fullest extent of the law.

LTE Band 30								
BW(MHz)	Modulation	RB Size	RB Offset	Conducted power (dBm)			Target Power + Max. Tolerance (dBm)	MPR Allowed per 3GPP(dB)
Frequency (MHz)			2307.5	2310	2312.5			
Channel			27685	27710	27735			
5	QPSK	1	0	20.31	20.66	20.49	21.00	0
		1	12	20.36	20.66	20.64	21.00	0
		1	24	20.21	20.56	20.50	21.00	0
		12	0	19.29	19.54	19.60	20.00	1
		12	6	19.27	19.68	19.58	20.00	1
		12	13	19.39	19.75	19.50	20.00	1
5	16-QAM	25	0	19.34	19.55	19.47	20.00	1
		1	0	19.33	19.55	19.52	20.00	1
		1	12	19.33	19.79	19.66	20.00	1
		1	24	19.36	19.58	19.54	20.00	1
		12	0	18.39	18.69	18.45	19.00	2
		12	6	18.28	18.72	18.56	19.00	2
5	64-QAM	12	13	18.26	18.61	18.44	19.00	2
		25	0	18.36	18.70	18.60	19.00	2
		1	0	18.26	18.59	18.50	19.00	2
		1	12	18.29	18.64	18.54	19.00	2
		1	24	18.41	18.65	18.55	19.00	2
		12	0	17.35	17.75	17.54	18.00	3
5	256-QAM	12	6	17.28	17.69	17.60	18.00	3
		12	13	17.31	17.63	17.47	18.00	3
		25	0	17.42	17.64	17.50	18.00	3
		1	0	17.27	17.68	17.53	18.00	3
		1	12	17.31	17.58	17.57	18.00	3
		1	24	17.30	17.67	17.55	18.00	3
5	256-QAM	12	0	16.39	16.76	16.56	17.00	4
		12	6	16.35	16.72	16.52	17.00	4
		12	13	16.34	16.73	16.61	17.00	4
		25	0	16.25	16.59	16.51	17.00	4

Unless otherwise stated the results shown in this test report refer only to the sample(s) tested and such sample(s) are retained for 90 days only.

除非另有說明，此報告結果僅對測試之樣品負責，同時此樣品僅保留90天。本報告未經本公司書面許可，不可部份複製。

This document is issued by the Company subject to its General Conditions of Service printed overleaf, available on request or accessible at <http://www.sgs.com.tw/Terms-and-Conditions> and for electronic format documents, subject to Terms and Conditions for Electronic Documents at <http://www.sgs.com.tw/Terms-and-Conditions>. Attention is drawn to the limitation of liability, indemnification and jurisdiction issues defined therein. Any holder of this document is advised that information contained hereon reflects the Company's findings at the time of its intervention only and within the limits of Client's instructions, if any. The Company's sole responsibility is to its Client and this document does not exonerate parties to a transaction from exercising all their rights and obligations under the transaction documents. This document cannot be reproduced except in full, without prior written approval of the Company. Any unauthorized alteration, forgery or falsification of the content or appearance of this document is unlawful and offenders may be prosecuted to the fullest extent of the law.

5.2 LTE DL CA

LTE Downlink 2CA conducted power table

Two Component Carrier Maximum Conducted Power															
PCC								SCC				Power		Configurations	
PCC Band	PCC Bandwidth [MHz]	PCC (UL) Channel	PCC (UL) Frequency [MHz]	Modulation	PCC (UL) RB	PCC (UL) RB Offset	PCC (DL) Channel	PCC (DL) Frequency [MHz]	SCC Band	SCC Bandwidth [MHz]	SCC (DL) Channel	SCC (DL) Frequency [MHz]	LTE Tx Power with DL CA active (dBm)		LTE Tx Power with DL CA inactive (dBm)
LTE B2	20	19100	1900	QPSK	1	0	1100	1980	LTE B12	10	5095	737.5	22.37	22.75	CA_2A-12A
LTE B2	20	19100	1900	QPSK	1	0	1100	1980	LTE B13	10	5230	751	22.39	22.75	CA_2A-13A
LTE B2	20	19100	1900	QPSK	1	0	1100	1980	LTE B14	10	5330	763	22.33	22.75	CA_2A-14A
LTE B2	20	19100	1900	QPSK	1	0	1100	1980	LTE B17	10	5790	740	22.37	22.75	CA_2A-17A
LTE B2	20	19100	1900	QPSK	1	0	1100	1980	LTE B30	10	9820	2355	22.34	22.75	CA_2A-30A
LTE B2	20	19100	1900	QPSK	1	0	1100	1980	LTE B4	20	2175	2132.5	22.36	22.75	CA_2A-4A
LTE B2	20	19100	1900	QPSK	1	0	1100	1980	LTE B5	10	2525	881.5	22.39	22.75	CA_2A-5A
LTE B2	20	19100	1900	QPSK	1	0	1100	1980	LTE B66	20	66786	2145	22.30	22.75	CA_2A-66A
LTE B2	20	19100	1900	QPSK	1	0	1100	1980	LTE B71	20	68786	637	22.32	22.75	CA_2A-71A
LTE B2	20	19100	1900	QPSK	1	0	1100	1980	LTE B7	20	3100	2655	22.34	22.75	CA_2A-7A
LTE B2	20	19100	1900	QPSK	1	0	1100	1980	LTE B26	15	8865	876.5	22.29	22.75	CA_2A-26A
LTE B4	20	20300	1745	QPSK	1	0	2300	2145	LTE B12	10	5095	737.5	22.31	22.79	CA_4A-12A
LTE B4	20	20300	1745	QPSK	1	0	2300	2145	LTE B13	10	5230	751	22.41	22.79	CA_4A-13A
LTE B4	20	20300	1745	QPSK	1	0	2300	2145	LTE B17	10	5790	740	22.37	22.79	CA_4A-17A
LTE B4	20	20300	1745	QPSK	1	0	2300	2145	LTE B30	10	9820	2355	22.38	22.79	CA_4A-30A
LTE B4	20	20300	1745	QPSK	1	0	2300	2145	LTE B5	10	2450	874	22.30	22.79	CA_4A-5A
LTE B4	20	20300	1745	QPSK	1	0	2300	2145	LTE B71	20	68786	637	22.29	22.79	CA_4A-71A
LTE B4	20	20300	1745	QPSK	1	0	2300	2145	LTE B7	20	3100	2655	22.32	22.79	CA_4A-7A
LTE B5	10	20525	836.5	QPSK	1	0	2525	881.5	LTE B12	10	5095	737.5	22.47	22.85	CA_5A-12A
LTE B5	10	20525	836.5	QPSK	1	0	2525	881.5	LTE B13	10	5230	751	22.38	22.85	CA_5A-13A
LTE B5	10	20525	836.5	QPSK	1	0	2525	881.5	LTE B25	20	8365	1962.5	22.42	22.85	CA_5A-25A
LTE B5	10	20525	836.5	QPSK	1	0	2525	881.5	LTE B30	10	9820	2355	22.42	22.85	CA_5A-30A
LTE B5	10	20525	836.5	QPSK	1	0	2525	881.5	LTE B66	20	66786	2145	22.48	22.85	CA_5A-66A
LTE B5	10	20525	836.5	QPSK	1	0	2525	881.5	LTE B7	20	3100	2655	22.46	22.85	CA_5A-7A
LTE B7	20	21350	2560	QPSK	1	0	3350	2680	LTE B12	10	5095	737.5	20.33	20.69	CA_7A-12A
LTE B7	20	21350	2560	QPSK	1	0	3350	2680	LTE B13	10	5230	751	20.34	20.69	CA_7A-13A
LTE B7	20	21350	2560	QPSK	1	0	3350	2680	LTE B26	15	8865	876.5	20.28	20.69	CA_7A-26A
LTE B7	20	21350	2560	QPSK	1	0	3350	2680	LTE B66	20	66786	2145	20.25	20.69	CA_7A-66A
LTE B7	20	21350	2560	QPSK	1	0	3350	2680	LTE B25	20	8365	1962.5	20.29	20.69	CA_7A-25A
LTE B12	10	23060	704	QPSK	1	0	5060	734	LTE B25	20	8365	1962.5	22.49	22.83	CA_12A-25A
LTE B12	10	23060	704	QPSK	1	0	5060	734	LTE B30	10	9820	2355	22.39	22.83	CA_12A-30A
LTE B12	10	23060	704	QPSK	1	0	5060	734	LTE B66	20	66786	2145	22.42	22.83	CA_12A-66A
LTE B13	10	23230	782	QPSK	1	0	5230	751	LTE B66	20	66786	2145	22.54	22.92	CA_13A-66A
LTE B14	10	23330	793	QPSK	1	0	5330	763	LTE B30	10	9820	2355	22.46	22.91	CA_14A-30A
LTE B14	10	23330	793	QPSK	1	0	5330	763	LTE B66	20	66786	2145	22.44	22.91	CA_14A-66A
LTE B25	20	26365	1882.5	QPSK	1	0	8365	1962.5	LTE B26	15	8865	876.5	22.36	22.74	CA_25A-26A
LTE B25	20	26365	1882.5	QPSK	1	0	8365	1962.5	LTE B66	20	66786	2145	22.32	22.74	CA_25A-66A
LTE B30	10	27710	2310	QPSK	1	0	9820	2355	LTE B66	20	66786	2145	20.34	20.83	CA_30A-66A
LTE B66	20	132322	1745	QPSK	1	0	66786	2145	LTE B71	20	68786	637	22.48	22.83	CA_66A-71A

Unless otherwise stated the results shown in this test report refer only to the sample(s) tested and such sample(s) are retained for 90 days only.

除非另有說明，此報告結果僅對測試之樣品負責，同時此樣品僅保留90天。本報告未經本公司書面許可，不可部份複製。

This document is issued by the Company subject to its General Conditions of Service printed overleaf, available on request or accessible at <http://www.sgs.com.tw/Terms-and-Conditions> and for electronic format documents, subject to Terms and Conditions for Electronic Documents at <http://www.sgs.com.tw/Terms-and-Conditions>. Attention is drawn to the limitation of liability, indemnification and jurisdiction issues defined therein. Any holder of this document is advised that information contained hereon reflects the Company's findings at the time of its intervention only and within the limits of Client's instructions, if any. The Company's sole responsibility is to its Client and this document does not exonerate parties to a transaction from exercising all their rights and obligations under the transaction documents. This document cannot be reproduced except in full, without prior written approval of the Company. Any unauthorized alteration, forgery or falsification of the content or appearance of this document is unlawful and offenders may be prosecuted to the fullest extent of the law.

LTE CA information

A)

The device supports downlink LTE Carrier Aggregation (CA) only. It supports a maximum of 2 carriers in the downlink. Other Release 10 features or higher features are not supported, including Enhanced SC-FDMA, Uplink MIMO or other antenna diversity configurations etc. All uplink communications are identical to the Release 8 Specifications.

The possible downlink LTE CA combinations supported by this device are as below tables per 3GPP TS 36.521-1. The conducted power measurement results of downlink LTE CA are provided as above per 3GPP TS 36.521-1. According to KDB 941225 D05A and RF exposure procedures in TCB workshop April 2018, the downlink LTE CA SAR test is not required.

Unless otherwise stated the results shown in this test report refer only to the sample(s) tested and such sample(s) are retained for 90 days only.
除非另有說明，此報告結果僅對測試之樣品負責，同時此樣品僅保留90天。本報告未經本公司書面許可，不可部份複製。

This document is issued by the Company subject to its General Conditions of Service printed overleaf, available on request or accessible at <http://www.sgs.com.tw/Terms-and-Conditions> and for electronic format documents, subject to Terms and Conditions for Electronic Documents at <http://www.sgs.com.tw/Terms-and-Conditions>. Attention is drawn to the limitation of liability, indemnification and jurisdiction issues defined therein. Any holder of this document is advised that information contained hereon reflects the Company's findings at the time of its intervention only and within the limits of Client's instructions, if any. The Company's sole responsibility is to its Client and this document does not exonerate parties to a transaction from exercising all their rights and obligations under the transaction documents. This document cannot be reproduced except in full, without prior written approval of the Company. Any unauthorized alteration, forgery or falsification of the content or appearance of this document is unlawful and offenders may be prosecuted to the fullest extent of the law.

B)

CA combination table

Index	2CC	Restriction	Completely Covered by Measurement Superset
2CC #1	CA_2A-12A		No
2CC #2	CA_2A-13A		No
2CC #3	CA_2A-14A		No
2CC #4	CA_2A-17A		No
2CC #5	CA_2A-30A		No
2CC #6	CA_2A-4A		No
2CC #7	CA_2A-5A		No
2CC #8	CA_2A-66A		No
2CC #9	CA_2A-71A		No
2CC #10	CA_2A-7A		No
2CC #11	CA_2A-26A		No
2CC #12	CA_4A-12A		No
2CC #13	CA_4A-13A		No
2CC #14	CA_4A-17A		No
2CC #15	CA_4A-30A		No
2CC #16	CA_4A-5A		No
2CC #17	CA_4A-71A		No
2CC #18	CA_4A-7A		No
2CC #19	CA_5A-12A		No
2CC #20	CA_5A-13A		No
2CC #21	CA_5A-25A		No
2CC #22	CA_5A-30A		No
2CC #23	CA_5A-66A		No
2CC #24	CA_5A-7A		No
2CC #25	CA_7A-12A		No
2CC #26	CA_7A-13A		No
2CC #27	CA_7A-26A		No
2CC #28	CA_7A-66A		No
2CC #29	CA_7A-25A		No
2CC #30	CA_12A-25A		No
2CC #31	CA_12A-30A		No
2CC #32	CA_12A-66A		No
2CC #33	CA_13A-66A		No
2CC #34	CA_14A-30A		No
2CC #35	CA_14A-66A		No
2CC #36	CA_25A-26A		No
2CC #37	CA_25A-66A		No
2CC #38	CA_30A-66A		No
2CC #39	CA_66A-71A		No

Unless otherwise stated the results shown in this test report refer only to the sample(s) tested and such sample(s) are retained for 90 days only.

除非另有說明，此報告結果僅對測試之樣品負責，同時此樣品僅保留90天。本報告未經本公司書面許可，不可部份複製。

This document is issued by the Company subject to its General Conditions of Service printed overleaf, available on request or accessible at <http://www.sgs.com.tw/Terms-and-Conditions> and for electronic format documents, subject to Terms and Conditions for Electronic Documents at <http://www.sgs.com.tw/Terms-and-Conditions>. Attention is drawn to the limitation of liability, indemnification and jurisdiction issues defined therein. Any holder of this document is advised that information contained herein reflects the Company's findings at the time of its intervention only and within the limits of Client's instructions, if any. The Company's sole responsibility is to its Client and this document does not exonerate parties to a transaction from exercising all their rights and obligations under the transaction documents. This document cannot be reproduced except in full, without prior written approval of the Company. Any unauthorized alteration, forgery or falsification of the content or appearance of this document is unlawful and offenders may be prosecuted to the fullest extent of the law.

Note:

- 1) The channel spacing and aggregated channel bandwidth for CA are identical to the associated specification in 3GPP TS 36.521-1.
- 2) The reference test frequencies for CA refers to 3GPP TS 36.508
- 3) Testing is not required in bands or modes not intended/allowed for US operation
- 4) Based on TCB workshop April 2018, only indicate “No” in CA combination table need power measurement.

Unless otherwise stated the results shown in this test report refer only to the sample(s) tested and such sample(s) are retained for 90 days only.

除非另有說明，此報告結果僅對測試之樣品負責，同時此樣品僅保留90天。本報告未經本公司書面許可，不可部份複製。

This document is issued by the Company subject to its General Conditions of Service printed overleaf, available on request or accessible at <http://www.sgs.com.tw/Terms-and-Conditions> and for electronic format documents, subject to Terms and Conditions for Electronic Documents at <http://www.sgs.com.tw/Terms-and-Conditions>. Attention is drawn to the limitation of liability, indemnification and jurisdiction issues defined therein. Any holder of this document is advised that information contained hereon reflects the Company's findings at the time of its intervention only and within the limits of Client's instructions, if any. The Company's sole responsibility is to its Client and this document does not exonerate parties to a transaction from exercising all their rights and obligations under the transaction documents. This document cannot be reproduced except in full, without prior written approval of the Company. Any unauthorized alteration, forgery or falsification of the content or appearance of this document is unlawful and offenders may be prosecuted to the fullest extent of the law.

5.3 LTE DL MIMO

SAR test exclusion for LTE DL MIMO was determined by UL power measurements with and without DL MIMO. SAR for DL MIMO was not needed since the maximum output power with DL MIMO active was not > 0.25dB higher than the maximum output power with DL MIMO inactive.

DL MIMO maximum power verification								
PCC							TX power	
UL							DL MIMO active	DL MIMO inactive
Band	Bandwidth [MHz]	Channel	Frequency [MHz]	Modulation	RB	RB Offset		
LTE B2	20	19100	1900	QPSK	1	0	22.32	22.75
LTE B4	20	20300	1745	QPSK	1	0	22.35	22.79
LTE B5	10	20525	836.5	QPSK	1	0	22.42	22.85
LTE B7	20	21350	2560	QPSK	1	0	20.19	20.69
LTE B12	10	23060	704	QPSK	1	0	22.45	22.83
LTE B13	10	23060	704	QPSK	1	0	22.48	22.92
LTE B14	10	23230	782	QPSK	1	0	22.49	22.91
LTE B17	10	23330	793	QPSK	1	0	22.45	22.81
LTE B25	20	26365	1882.5	QPSK	1	0	22.31	22.74
LTE B26	15	26765	821.5	QPSK	1	0	22.38	22.83
LTE B30	10	27710	2310	QPSK	1	0	20.43	20.83
LTE B66	20	132322	1745	QPSK	1	0	22.34	22.83
LTE B71	20	133222	673	QPSK	1	0	22.42	22.92

Unless otherwise stated the results shown in this test report refer only to the sample(s) tested and such sample(s) are retained for 90 days only.

除非另有說明，此報告結果僅對測試之樣品負責，同時此樣品僅保留90天。本報告未經本公司書面許可，不可部份複製。

This document is issued by the Company subject to its General Conditions of Service printed overleaf, available on request or accessible at <http://www.sgs.com.tw/Terms-and-Conditions> and for electronic format documents, subject to Terms and Conditions for Electronic Documents at <http://www.sgs.com.tw/Terms-and-Conditions>. Attention is drawn to the limitation of liability, indemnification and jurisdiction issues defined therein. Any holder of this document is advised that information contained hereon reflects the Company's findings at the time of its intervention only and within the limits of Client's instructions, if any. The Company's sole responsibility is to its Client and this document does not exonerate parties to a transaction from exercising all their rights and obligations under the transaction documents. This document cannot be reproduced except in full, without prior written approval of the Company. Any unauthorized alteration, forgery or falsification of the content or appearance of this document is unlawful and offenders may be prosecuted to the fullest extent of the law.

5.4 LTE Intra-Band UL CA

CA_2C														
Combination 100RB + 100RB (20MHz + 20MHz)														
PCC						SCC						MPR (dB)	UL CA power	
Bandwidth [MHz]	Modulation	Frequency [MHz]	Channel	RB size	RB Offset	Bandwidth [MHz]	Modulation	Frequency [MHz]	Channel	RB size	RB Offset		Measured (dBm)	Tune-up limit (dBm)
20	QPSK	1860	18700	1	0	20	QPSK	1879.8	18898	1	99	0	22.42	23.00
20	QPSK	1900	19100	1	0	20	QPSK	1880.2	18902	1	99	0	22.35	23.00
CA_2C														
Combination 75RB + 100RB (15MHz + 20MHz)														
PCC						SCC						MPR (dB)	UL CA power	
Bandwidth [MHz]	Modulation	Frequency [MHz]	Channel	RB size	RB Offset	Bandwidth [MHz]	Modulation	Frequency [MHz]	Channel	RB size	RB Offset		Measured (dBm)	Tune-up limit (dBm)
20	QPSK	1860	18700	1	0	15	QPSK	1877.1	18871	1	74	0	22.27	23.00
20	QPSK	1900	19100	1	0	15	QPSK	1882.9	18929	1	74	0	22.19	23.00
CA_2C														
Combination 75RB + 75RB (15MHz + 15MHz)														
PCC						SCC						MPR (dB)	UL CA power	
Bandwidth [MHz]	Modulation	Frequency [MHz]	Channel	RB size	RB Offset	Bandwidth [MHz]	Modulation	Frequency [MHz]	Channel	RB size	RB Offset		Measured (dBm)	Tune-up limit (dBm)
15	QPSK	1857.5	18675	1	0	15	QPSK	1872.5	18825	1	74	0	22.38	23.00
15	QPSK	1902.5	19125	1	0	15	QPSK	1887.5	18975	1	74	0	22.21	23.00
CA_2C														
Combination 50RB + 100RB (10MHz + 20MHz)														
PCC						SCC						MPR (dB)	UL CA power	
Bandwidth [MHz]	Modulation	Frequency [MHz]	Channel	RB size	RB Offset	Bandwidth [MHz]	Modulation	Frequency [MHz]	Channel	RB size	RB Offset		Measured (dBm)	Tune-up limit (dBm)
20	QPSK	1860	18700	1	0	10	QPSK	1874.4	18844	1	49	0	22.19	23.00
20	QPSK	1900	19100	1	0	10	QPSK	1885.6	18956	1	49	0	22.37	23.00
CA_2C														
Combination 50RB + 75RB (10MHz + 15MHz)														
PCC						SCC						MPR (dB)	UL CA power	
Bandwidth [MHz]	Modulation	Frequency [MHz]	Channel	RB size	RB Offset	Bandwidth [MHz]	Modulation	Frequency [MHz]	Channel	RB size	RB Offset		Measured (dBm)	Tune-up limit (dBm)
15	QPSK	1857.5	18675	1	0	10	QPSK	1869.5	18795	1	49	0	22.33	23.00
15	QPSK	1902.5	19125	1	0	10	QPSK	1890.5	19005	1	49	0	22.12	23.00
CA_2C														
Combination 25RB + 100RB (5MHz + 20MHz)														
PCC						SCC						MPR (dB)	UL CA power	
Bandwidth [MHz]	Modulation	Frequency [MHz]	Channel	RB size	RB Offset	Bandwidth [MHz]	Modulation	Frequency [MHz]	Channel	RB size	RB Offset		Measured (dBm)	Tune-up limit (dBm)
20	QPSK	1860	18700	1	0	5	QPSK	1871.7	18817	1	24	0	22.29	23.00
20	QPSK	1900	19100	1	0	5	QPSK	1888.3	18983	1	24	0	22.20	23.00
CA_5B														
Combination 50RB + 50RB (10MHz + 10MHz)														
PCC						SCC						MPR (dB)	UL CA power	
Bandwidth [MHz]	Modulation	Frequency [MHz]	Channel	RB size	RB Offset	Bandwidth [MHz]	Modulation	Frequency [MHz]	Channel	RB size	RB Offset		Measured (dBm)	Tune-up limit (dBm)
10	QPSK	829	20450	1	0	10	QPSK	838.9	20549	1	49	0	22.38	23.00
10	QPSK	844	20600	1	49	10	QPSK	834.1	20501	1	0	0	22.14	23.00
CA_5B														
Combination 25RB + 50RB (5MHz + 10MHz)														
PCC						SCC						MPR (dB)	UL CA power	
Bandwidth [MHz]	Modulation	Frequency [MHz]	Channel	RB size	RB Offset	Bandwidth [MHz]	Modulation	Frequency [MHz]	Channel	RB size	RB Offset		Measured (dBm)	Tune-up limit (dBm)
10	QPSK	829	20450	1	0	5	QPSK	836.2	20522	1	24	0	22.19	23.00
10	QPSK	844	20600	1	49	5	QPSK	836.8	20528	1	0	0	22.26	23.00
CA_5B														
Combination 15RB + 25RB (3MHz + 5MHz)														
PCC						SCC						MPR (dB)	UL CA power	
Bandwidth [MHz]	Modulation	Frequency [MHz]	Channel	RB size	RB Offset	Bandwidth [MHz]	Modulation	Frequency [MHz]	Channel	RB size	RB Offset		Measured (dBm)	Tune-up limit (dBm)
5	QPSK	826.5	20425	1	0	3	QPSK	830.4	20464	1	14	0	22.25	23.00
5	QPSK	846.5	20625	1	24	3	QPSK	842.6	20586	1	0	0	22.07	23.00

Unless otherwise stated the results shown in this test report refer only to the sample(s) tested and such sample(s) are retained for 90 days only.

除非另有說明，此報告結果僅對測試之樣品負責，同時此樣品僅保留90天。本報告未經本公司書面許可，不可部份複製。

This document is issued by the Company subject to its General Conditions of Service printed overleaf, available on request or accessible at <http://www.sgs.com.tw/Terms-and-Conditions> and for electronic format documents, subject to Terms and Conditions for Electronic Documents at <http://www.sgs.com.tw/Terms-and-Conditions>. Attention is drawn to the limitation of liability, indemnification and jurisdiction issues defined therein. Any holder of this document is advised that information contained hereon reflects the Company's findings at the time of its intervention only and within the limits of Client's instructions, if any. The Company's sole responsibility is to its Client and this document does not exonerate parties to a transaction from exercising all their rights and obligations under the transaction documents. This document cannot be reproduced except in full, without prior written approval of the Company. Any unauthorized alteration, forgery or falsification of the content or appearance of this document is unlawful and offenders may be prosecuted to the fullest extent of the law.

CA_7C														
Combination 100RB + 100RB (20MHz + 20MHz)														
PCC						SCC						MPR (dB)	UL CA power	
Bandwidth [MHz]	Modulation	Frequency [MHz]	Channel	RB size	RB Offset	Bandwidth [MHz]	Modulation	Frequency [MHz]	Channel	RB size	RB Offset		Measured (dBm)	Tune-up limit (dBm)
20	QPSK	2560	21350	1	0	20	QPSK	2540.2	21152	1	99	0	20.17	21.00
20	QPSK	2510	20850	1	50	20	QPSK	2529.8	21048	1	0	0	20.13	21.00
CA_7C														
Combination 75RB + 100RB (15MHz + 20MHz)														
PCC						SCC						MPR (dB)	UL CA power	
Bandwidth [MHz]	Modulation	Frequency [MHz]	Channel	RB size	RB Offset	Bandwidth [MHz]	Modulation	Frequency [MHz]	Channel	RB size	RB Offset		Measured (dBm)	Tune-up limit (dBm)
20	QPSK	2560	21350	1	50	15	QPSK	2542.9	21179	1	74	0	20.07	21.00
20	QPSK	2510	20850	1	50	15	QPSK	2527.1	21021	1	0	0	20.11	21.00
CA_7C														
Combination 75RB + 100RB (15MHz + 20MHz)														
PCC						SCC						MPR (dB)	UL CA power	
Bandwidth [MHz]	Modulation	Frequency [MHz]	Channel	RB size	RB Offset	Bandwidth [MHz]	Modulation	Frequency [MHz]	Channel	RB size	RB Offset		Measured (dBm)	Tune-up limit (dBm)
20	QPSK	2560	21350	1	50	15	QPSK	2542.9	21179	1	74	0	20.07	21.00
20	QPSK	2510	20850	1	50	15	QPSK	2527.1	21021	1	0	0	20.11	21.00
CA_7C														
Combination 75RB + 50RB (15MHz + 10MHz)														
PCC						SCC						MPR (dB)	UL CA power	
Bandwidth [MHz]	Modulation	Frequency [MHz]	Channel	RB size	RB Offset	Bandwidth [MHz]	Modulation	Frequency [MHz]	Channel	RB size	RB Offset		Measured (dBm)	Tune-up limit (dBm)
15	QPSK	2562.5	21375	1	74	10	QPSK	2519.5	20945	1	0	0	20.03	21.00
CA_7C														
Combination 50RB + 100RB (10MHz + 20MHz)														
PCC						SCC						MPR (dB)	UL CA power	
Bandwidth [MHz]	Modulation	Frequency [MHz]	Channel	RB size	RB Offset	Bandwidth [MHz]	Modulation	Frequency [MHz]	Channel	RB size	RB Offset		Measured (dBm)	Tune-up limit (dBm)
20	QPSK	2560	21350	1	50	10	QPSK	2524.4	20994	1	0	0	20.08	21.00
CA_66B														
Combination 50RB + 50RB (10MHz + 10MHz)														
PCC						SCC						MPR (dB)	UL CA power	
Bandwidth [MHz]	Modulation	Frequency [MHz]	Channel	RB size	RB Offset	Bandwidth [MHz]	Modulation	Frequency [MHz]	Channel	RB size	RB Offset		Measured (dBm)	Tune-up limit (dBm)
10	QPSK	1715	132022	1	49	10	QPSK	1724.9	132121	1	0	0	22.29	23.00
10	QPSK	1750.1	132373	1	49	10	QPSK	1760	132472	1	0	0	22.17	23.00
10	QPSK	1765.1	132523	1	49	10	QPSK	1775	132622	1	0	0	22.25	23.00
CA_66B														
Combination 25RB + 75RB (5MHz + 15MHz)														
PCC						SCC						MPR (dB)	UL CA power	
Bandwidth [MHz]	Modulation	Frequency [MHz]	Channel	RB size	RB Offset	Bandwidth [MHz]	Modulation	Frequency [MHz]	Channel	RB size	RB Offset		Measured (dBm)	Tune-up limit (dBm)
5	QPSK	1713	132002	1	24	15	QPSK	1722.3	132095	1	0	0	22.07	23.00
5	QPSK	1748.1	132353	1	24	15	QPSK	1757.4	132446	1	0	0	22.19	23.00
5	QPSK	1763.2	132504	1	24	15	QPSK	1772.5	132597	1	0	0	22.11	23.00
CA_66B														
Combination 25RB + 50RB (5MHz + 10MHz)														
PCC						SCC						MPR (dB)	UL CA power	
Bandwidth [MHz]	Modulation	Frequency [MHz]	Channel	RB size	RB Offset	Bandwidth [MHz]	Modulation	Frequency [MHz]	Channel	RB size	RB Offset		Measured (dBm)	Tune-up limit (dBm)
5	QPSK	1712.8	132000	1	24	10	QPSK	1720	132072	1	0	0	22.15	23.00
5	QPSK	1750.3	132375	1	24	10	QPSK	1757.5	132447	1	0	0	22.19	23.00
5	QPSK	1767.8	132550	1	24	10	QPSK	1775	132622	1	0	0	22.01	23.00

Unless otherwise stated the results shown in this test report refer only to the sample(s) tested and such sample(s) are retained for 90 days only.

除非另有說明，此報告結果僅對測試之樣品負責，同時此樣品僅保留90天。本報告未經本公司書面許可，不可部份複製。

This document is issued by the Company subject to its General Conditions of Service printed overleaf, available on request or accessible at <http://www.sgs.com.tw/Terms-and-Conditions> and for electronic format documents, subject to Terms and Conditions for Electronic Documents at <http://www.sgs.com.tw/Terms-and-Conditions>. Attention is drawn to the limitation of liability, indemnification and jurisdiction issues defined therein. Any holder of this document is advised that information contained hereon reflects the Company's findings at the time of its intervention only and within the limits of Client's instructions, if any. The Company's sole responsibility is to its Client and this document does not exonerate parties to a transaction from exercising all their rights and obligations under the transaction documents. This document cannot be reproduced except in full, without prior written approval of the Company. Any unauthorized alteration, forgery or falsification of the content or appearance of this document is unlawful and offenders may be prosecuted to the fullest extent of the law.

CA ₆₆ B														
Combination 25RB + 25RB (5MHz + 5MHz)														
PCC						SCC						UL CA power		
Bandwidth [MHz]	Modulation	Frequency [MHz]	Channel	RB size	RB Offset	Bandwidth [MHz]	Modulation	Frequency [MHz]	Channel	RB size	RB Offset	MPR (dB)	Measured (dBm)	Tune-up limit (dBm)
5	QPSK	1712.5	131997	1	24	5	QPSK	1717.3	132045	1	0	0	21.89	23.00
5	QPSK	1752.6	132398	1	24	5	QPSK	1757.4	132446	1	0	0	21.93	23.00
5	QPSK	1772.7	132599	1	24	5	QPSK	1777.5	132647	1	0	0	21.97	23.00
CA ₆₆ C														
Combination 100RB + 100RB (20MHz + 20MHz)														
PCC						SCC						UL CA power		
Bandwidth [MHz]	Modulation	Frequency [MHz]	Channel	RB size	RB Offset	Bandwidth [MHz]	Modulation	Frequency [MHz]	Channel	RB size	RB Offset	MPR (dB)	Measured (dBm)	Tune-up limit (dBm)
20	QPSK	1720	132072	1	99	20	QPSK	1739.8	132270	1	0	0	22.36	23.00
20	QPSK	1745.1	132323	1	99	20	QPSK	1764.9	132521	1	0	0	22.24	23.00
20	QPSK	1750.2	132374	1	99	20	QPSK	1770	132572	1	0	0	22.31	23.00
CA ₆₆ C														
Combination 75RB + 100RB (15MHz + 20MHz)														
PCC						SCC						UL CA power		
Bandwidth [MHz]	Modulation	Frequency [MHz]	Channel	RB size	RB Offset	Bandwidth [MHz]	Modulation	Frequency [MHz]	Channel	RB size	RB Offset	MPR (dB)	Measured (dBm)	Tune-up limit (dBm)
15	QPSK	1717.8	132050	1	74	20	QPSK	1734.9	132221	1	0	0	22.25	23.00
15	QPSK	1745.3	132325	1	74	20	QPSK	1762.4	132496	1	0	0	22.11	23.00
15	QPSK	1752.9	132401	1	74	20	QPSK	1770	132572	1	0	0	22.27	23.00
CA ₆₆ C														
Combination 75RB + 75RB (15MHz + 15MHz)														
PCC						SCC						UL CA power		
Bandwidth [MHz]	Modulation	Frequency [MHz]	Channel	RB size	RB Offset	Bandwidth [MHz]	Modulation	Frequency [MHz]	Channel	RB size	RB Offset	MPR (dB)	Measured (dBm)	Tune-up limit (dBm)
15	QPSK	1717.5	132047	1	74	15	QPSK	1732.5	132197	1	0	0	21.98	23.00
15	QPSK	1747.5	132347	1	74	15	QPSK	1762.5	132497	1	0	0	22.09	23.00
15	QPSK	1757.5	132447	1	74	15	QPSK	1772.5	132597	1	0	0	22.15	23.00
CA ₆₆ C														
Combination 50RB + 100RB (10MHz + 20MHz)														
PCC						SCC						UL CA power		
Bandwidth [MHz]	Modulation	Frequency [MHz]	Channel	RB size	RB Offset	Bandwidth [MHz]	Modulation	Frequency [MHz]	Channel	RB size	RB Offset	MPR (dB)	Measured (dBm)	Tune-up limit (dBm)
10	QPSK	1715.5	132027	1	49	20	QPSK	1729.9	132171	1	0	0	22.13	23.00
10	QPSK	1745.6	132328	1	49	20	QPSK	1760	132472	1	0	0	22.08	23.00
10	QPSK	1755.6	132428	1	49	20	QPSK	1770	132572	1	0	0	22.19	23.00
CA ₆₆ C														
Combination 50RB + 75RB (10MHz + 15MHz)														
PCC						SCC						UL CA power		
Bandwidth [MHz]	Modulation	Frequency [MHz]	Channel	RB size	RB Offset	Bandwidth [MHz]	Modulation	Frequency [MHz]	Channel	RB size	RB Offset	MPR (dB)	Measured (dBm)	Tune-up limit (dBm)
10	QPSK	1715.3	132025	1	49	15	QPSK	1727.3	132145	1	0	0	21.93	23.00
10	QPSK	1747.9	132351	1	49	15	QPSK	1759.9	132471	1	0	0	21.99	23.00
10	QPSK	1760.5	132477	1	49	15	QPSK	1772.5	132597	1	0	0	22.05	23.00
CA ₆₆ C														
Combination 100RB + 25RB (20MHz + 5MHz)														
PCC						SCC						UL CA power		
Bandwidth [MHz]	Modulation	Frequency [MHz]	Channel	RB size	RB Offset	Bandwidth [MHz]	Modulation	Frequency [MHz]	Channel	RB size	RB Offset	MPR (dB)	Measured (dBm)	Tune-up limit (dBm)
20	QPSK	1720	132072	1	99	5	QPSK	1731.7	132189	1	0	0	21.79	23.00
20	QPSK	1752.5	132397	1	99	5	QPSK	1764.2	132514	1	0	0	21.88	23.00
20	QPSK	1765	132522	1	99	5	QPSK	1776.7	132639	1	0	0	21.83	23.00

Unless otherwise stated the results shown in this test report refer only to the sample(s) tested and such sample(s) are retained for 90 days only.

除非另有說明，此報告結果僅對測試之樣品負責，同時此樣品僅保留90天。本報告未經本公司書面許可，不可部份複製。

This document is issued by the Company subject to its General Conditions of Service printed overleaf, available on request or accessible at <http://www.sgs.com.tw/Terms-and-Conditions> and for electronic format documents, subject to Terms and Conditions for Electronic Documents at <http://www.sgs.com.tw/Terms-and-Conditions>. Attention is drawn to the limitation of liability, indemnification and jurisdiction issues defined therein. Any holder of this document is advised that information contained hereon reflects the Company's findings at the time of its intervention only and within the limits of Client's instructions, if any. The Company's sole responsibility is to its Client and this document does not exonerate parties to a transaction from exercising all their rights and obligations under the transaction documents. This document cannot be reproduced except in full, without prior written approval of the Company. Any unauthorized alteration, forgery or falsification of the content or appearance of this document is unlawful and offenders may be prosecuted to the fullest extent of the law.

5.5 LTE Inter-Band UL CA

ANTO

LTE Band 2								
BW(MHz)	Modulation	RB Size	RB Offset	Conducted power (dBm)			Target Power + Max. Tolerance (dBm)	MPR Allowed per 3GPP(dB)
Frequency (MHz)				1860	1880	1900		
Channel				18700	18900	19100		
20	QPSK	1	0	19.74	19.88	19.85	20.00	0
		1	50	19.61	19.70	19.76	20.00	0
		1	99	19.53	19.69	19.63	20.00	0
		50	0	18.64	18.75	18.74	19.00	1
		50	25	18.68	18.61	18.59	19.00	1
		50	50	18.52	18.76	18.76	19.00	1
		100	0	18.57	18.72	18.69	19.00	1
20	16-QAM	1	0	18.52	18.60	18.76	19.00	1
		1	50	18.68	18.82	18.70	19.00	1
		1	99	18.54	18.70	18.72	19.00	1
		50	0	17.54	17.80	17.74	18.00	2
		50	25	17.63	17.83	17.65	18.00	2
		50	50	17.62	17.72	17.74	18.00	2
		100	0	17.59	17.72	17.70	18.00	2
20	64-QAM	1	0	17.63	17.67	17.69	18.00	2
		1	50	17.61	17.69	17.82	18.00	2
		1	99	17.54	17.79	17.69	18.00	2
		50	0	16.65	16.83	16.66	17.00	3
		50	25	16.49	16.67	16.72	17.00	3
		50	50	16.61	16.73	16.77	17.00	3
		100	0	16.65	16.75	16.67	17.00	3
20	256-QAM	1	0	16.63	16.72	16.67	17.00	3
		1	50	16.52	16.69	16.81	17.00	3
		1	99	16.47	16.79	16.66	17.00	3
		50	0	15.63	15.76	15.68	16.00	4
		50	25	15.65	15.78	15.63	16.00	4
		50	50	15.61	15.75	15.76	16.00	4
		100	0	15.57	15.78	15.69	16.00	4

Unless otherwise stated the results shown in this test report refer only to the sample(s) tested and such sample(s) are retained for 90 days only.

除非另有說明，此報告結果僅對測試之樣品負責，同時此樣品僅保留90天。本報告未經本公司書面許可，不可部份複製。

This document is issued by the Company subject to its General Conditions of Service printed overleaf, available on request or accessible at <http://www.sgs.com.tw/Terms-and-Conditions> and for electronic format documents, subject to Terms and Conditions for Electronic Documents at <http://www.sgs.com.tw/Terms-and-Conditions>. Attention is drawn to the limitation of liability, indemnification and jurisdiction issues defined therein. Any holder of this document is advised that information contained hereon reflects the Company's findings at the time of its intervention only and within the limits of Client's instructions, if any. The Company's sole responsibility is to its Client and this document does not exonerate parties to a transaction from exercising all their rights and obligations under the transaction documents. This document cannot be reproduced except in full, without prior written approval of the Company. Any unauthorized alteration, forgery or falsification of the content or appearance of this document is unlawful and offenders may be prosecuted to the fullest extent of the law.

LTE Band 2								
BW(MHz)	Modulation	RB Size	RB Offset	Conducted power (dBm)			Target Power + Max. Tolerance (dBm)	MPR Allowed per 3GPP(dB)
Frequency (MHz)				1857.5	1880	1902.5		
Channel				18675	18900	19125		
15	QPSK	1	0	19.49	19.72	19.78	20.00	0
		1	36	19.49	19.67	19.74	20.00	0
		1	74	19.51	19.73	19.74	20.00	0
		36	0	18.62	18.83	18.68	19.00	1
		36	18	18.68	18.66	18.72	19.00	1
		36	37	18.50	18.70	18.65	19.00	1
		75	0	18.59	18.63	18.68	19.00	1
15	16-QAM	1	0	18.60	18.67	18.59	19.00	1
		1	36	18.60	18.71	18.69	19.00	1
		1	74	18.61	18.80	18.75	19.00	1
		36	0	17.57	17.72	17.75	18.00	2
		36	18	17.58	17.69	17.69	18.00	2
		36	37	17.62	17.62	17.83	18.00	2
		75	0	17.58	17.69	17.64	18.00	2
15	64-QAM	1	0	17.57	17.61	17.75	18.00	2
		1	36	17.60	17.68	17.64	18.00	2
		1	74	17.60	17.65	17.66	18.00	2
		36	0	16.56	16.61	16.69	17.00	3
		36	18	16.57	16.69	16.63	17.00	3
		36	37	16.48	16.70	16.69	17.00	3
		75	0	16.65	16.72	16.83	17.00	3
15	256-QAM	1	0	16.50	16.80	16.70	17.00	3
		1	36	16.68	16.79	16.64	17.00	3
		1	74	16.60	16.72	16.64	17.00	3
		36	0	15.55	15.75	15.71	16.00	4
		36	18	15.50	15.64	15.76	16.00	4
		36	37	15.59	15.60	15.65	16.00	4
		75	0	15.54	15.74	15.72	16.00	4

LTE Band 2								
BW(MHz)	Modulation	RB Size	RB Offset	Conducted power (dBm)			Target Power + Max. Tolerance (dBm)	MPR Allowed per 3GPP(dB)
Frequency (MHz)				1855	1880	1905		
Channel				18650	18900	19150		
10	QPSK	1	0	19.69	19.72	19.69	20.00	0
		1	25	19.58	19.70	19.72	20.00	0
		1	49	19.51	19.77	19.72	20.00	0
		25	0	18.60	18.78	18.59	19.00	1
		25	12	18.53	18.72	18.77	19.00	1
		25	25	18.46	18.74	18.78	19.00	1
		50	0	18.58	18.68	18.67	19.00	1
10	16-QAM	1	0	18.60	18.78	18.78	19.00	1
		1	25	18.66	18.86	18.71	19.00	1
		1	49	18.48	18.85	18.75	19.00	1
		25	0	17.50	17.71	17.74	18.00	2
		25	12	17.55	17.70	17.66	18.00	2
		25	25	17.56	17.79	17.75	18.00	2
		50	0	17.56	17.70	17.80	18.00	2
10	64-QAM	1	0	17.56	17.65	17.69	18.00	2
		1	25	17.57	17.69	17.60	18.00	2
		1	49	17.67	17.82	17.64	18.00	2
		25	0	16.65	16.68	16.67	17.00	3
		25	12	16.63	16.82	16.76	17.00	3
		25	25	16.53	16.77	16.69	17.00	3
		50	0	16.56	16.67	16.62	17.00	3
10	256-QAM	1	0	16.57	16.81	16.59	17.00	3
		1	25	16.48	16.78	16.78	17.00	3
		1	49	16.57	16.80	16.68	17.00	3
		25	0	15.63	15.79	15.64	16.00	4
		25	12	15.57	15.70	15.66	16.00	4
		25	25	15.67	15.69	15.68	16.00	4
		50	0	15.60	15.71	15.68	16.00	4

Unless otherwise stated the results shown in this test report refer only to the sample(s) tested and such sample(s) are retained for 90 days only.

除非另有說明，此報告結果僅對測試之樣品負責，同時此樣品僅保留90天。本報告未經本公司書面許可，不可部份複製。

This document is issued by the Company subject to its General Conditions of Service printed overleaf, available on request or accessible at <http://www.sgs.com.tw/Terms-and-Conditions> and for electronic format documents, subject to Terms and Conditions for Electronic Documents at <http://www.sgs.com.tw/Terms-and-Conditions>. Attention is drawn to the limitation of liability, indemnification and jurisdiction issues defined therein. Any holder of this document is advised that information contained hereon reflects the Company's findings at the time of its intervention only and within the limits of Client's instructions, if any. The Company's sole responsibility is to its Client and this document does not exonerate parties to a transaction from exercising all their rights and obligations under the transaction documents. This document cannot be reproduced except in full, without prior written approval of the Company. Any unauthorized alteration, forgery or falsification of the content or appearance of this document is unlawful and offenders may be prosecuted to the fullest extent of the law.

LTE Band 2								
BW(MHz)	Modulation	RB Size	RB Offset	Conducted power (dBm)			Target Power + Max. Tolerance (dBm)	MPR Allowed per 3GPP(dB)
Frequency (MHz)				1852.5	1880	1907.5		
Channel				18625	18900	19175		
5	QPSK	1	0	19.61	19.83	19.62	20.00	0
		1	12	19.62	19.79	19.76	20.00	0
		1	24	19.66	19.74	19.64	20.00	0
		12	0	18.64	18.73	18.64	19.00	1
		12	6	18.64	18.76	18.66	19.00	1
		12	13	18.52	18.68	18.61	19.00	1
5	16-QAM	25	0	18.62	18.71	18.79	19.00	1
		1	0	18.50	18.66	18.69	19.00	1
		1	12	18.53	18.63	18.69	19.00	1
		1	24	18.63	18.71	18.72	19.00	1
		12	0	17.58	17.78	17.72	18.00	2
		12	6	17.60	17.68	17.82	18.00	2
5	64-QAM	12	13	17.64	17.65	17.70	18.00	2
		25	0	17.53	17.75	17.78	18.00	2
		1	0	17.45	17.60	17.71	18.00	2
		1	12	17.64	17.78	17.64	18.00	2
		1	24	17.65	17.75	17.72	18.00	2
		12	0	16.61	16.71	16.66	17.00	3
5	256-QAM	12	6	16.53	16.67	16.71	17.00	3
		12	13	16.56	16.85	16.78	17.00	3
		25	0	16.66	16.71	16.68	17.00	3
		1	0	16.59	16.67	16.61	17.00	3
		1	12	16.50	16.81	16.59	17.00	3
		1	24	16.57	16.81	16.80	17.00	3
3	QPSK	12	0	15.57	15.71	15.69	16.00	4
		12	6	15.59	15.67	15.74	16.00	4
		12	13	15.60	15.74	15.72	16.00	4
		25	0	15.56	15.65	15.76	16.00	4

LTE Band 2								
BW(MHz)	Modulation	RB Size	RB Offset	Conducted power (dBm)			Target Power + Max. Tolerance (dBm)	MPR Allowed per 3GPP(dB)
Frequency (MHz)				1851.5	1880	1908.5		
Channel				18615	18900	19185		
3	QPSK	1	0	19.57	19.75	19.73	20.00	0
		1	7	19.55	19.78	19.71	20.00	0
		1	14	19.58	19.60	19.72	20.00	0
		8	0	18.52	18.70	18.80	19.00	1
		8	4	18.62	18.71	18.78	19.00	1
		8	7	18.60	18.74	18.57	19.00	1
		15	0	18.49	18.77	18.59	19.00	1
3	16-QAM	1	0	18.65	18.70	18.78	19.00	1
		1	7	18.57	18.71	18.68	19.00	1
		1	14	18.62	18.72	18.66	19.00	1
		8	0	17.50	17.81	17.59	18.00	2
		8	4	17.47	17.82	17.74	18.00	2
		8	7	17.66	17.71	17.78	18.00	2
3	64-QAM	15	0	17.45	17.69	17.69	18.00	2
		1	0	17.56	17.69	17.69	18.00	2
		1	7	17.59	17.72	17.68	18.00	2
		1	14	17.58	17.62	17.70	18.00	2
		8	0	16.61	16.70	16.68	17.00	3
		8	4	16.55	16.69	16.66	17.00	3
3	256-QAM	8	7	16.59	16.63	16.57	17.00	3
		15	0	16.54	16.64	16.71	17.00	3
		1	0	16.62	16.77	16.62	17.00	3
		1	7	16.54	16.70	16.69	17.00	3
		1	14	16.66	16.71	16.65	17.00	3
		8	0	15.62	15.78	15.69	16.00	4
3	256-QAM	8	4	15.47	15.69	15.71	16.00	4
		8	7	15.55	15.71	15.55	16.00	4
		15	0	15.54	15.68	15.63	16.00	4

Unless otherwise stated the results shown in this test report refer only to the sample(s) tested and such sample(s) are retained for 90 days only.

除非另有說明，此報告結果僅對測試之樣品負責，同時此樣品僅保留90天。本報告未經本公司書面許可，不可部份複製。

This document is issued by the Company subject to its General Conditions of Service printed overleaf, available on request or accessible at <http://www.sgs.com.tw/Terms-and-Conditions> and for electronic format documents, subject to Terms and Conditions for Electronic Documents at <http://www.sgs.com.tw/Terms-and-Conditions>. Attention is drawn to the limitation of liability, indemnification and jurisdiction issues defined therein. Any holder of this document is advised that information contained hereon reflects the Company's findings at the time of its intervention only and within the limits of Client's instructions, if any. The Company's sole responsibility is to its Client and this document does not exonerate parties to a transaction from exercising all their rights and obligations under the transaction documents. This document cannot be reproduced except in full, without prior written approval of the Company. Any unauthorized alteration, forgery or falsification of the content or appearance of this document is unlawful and offenders may be prosecuted to the fullest extent of the law.

LTE Band 2								
BW(MHz)	Modulation	RB Size	RB Offset	Conducted power (dBm)			Target Power + Max. Tolerance (dBm)	MPR Allowed per 3GPP(dB)
Frequency (MHz)				1850.7	1880	1909.3		
Channel				18607	18900	19193		
1.4	QPSK	1	0	19.60	19.68	19.67	20.00	0
		1	2	19.53	19.69	19.72	20.00	0
		1	5	19.60	19.74	19.59	20.00	0
		3	0	19.54	19.81	19.56	20.00	0
		3	2	19.65	19.67	19.77	20.00	0
		3	3	19.59	19.70	19.65	20.00	0
1.4	16-QAM	6	0	18.52	18.61	18.64	19.00	1
		1	0	18.58	18.75	18.67	19.00	1
		1	2	18.62	18.76	18.83	19.00	1
		1	5	18.58	18.65	18.72	19.00	1
		3	0	18.63	18.60	18.56	19.00	1
		3	2	18.61	18.72	18.63	19.00	1
1.4	64-QAM	3	3	18.59	18.79	18.70	19.00	1
		6	0	17.48	17.81	17.73	18.00	2
		1	0	17.55	17.67	17.69	18.00	2
		1	2	17.55	17.64	17.79	18.00	2
		1	5	17.48	17.77	17.69	18.00	2
		3	0	17.59	17.72	17.63	18.00	2
1.4	256-QAM	3	2	17.48	17.66	17.76	18.00	2
		3	3	17.58	17.74	17.79	18.00	2
		6	0	16.55	16.75	16.76	17.00	3
		1	0	16.53	16.70	16.71	17.00	3
		1	2	16.59	16.70	16.66	17.00	3
		1	5	16.56	16.67	16.61	17.00	3
1.4	256-QAM	3	0	16.52	16.79	16.76	17.00	3
		3	2	16.50	16.72	16.71	17.00	3
		3	3	16.61	16.68	16.71	17.00	3
		6	0	15.60	15.70	15.65	16.00	4

LTE Band 4								
BW(MHz)	Modulation	RB Size	RB Offset	Conducted power (dBm)			Target Power + Max. Tolerance (dBm)	MPR Allowed per 3GPP(dB)
Frequency (MHz)				1720	1732.5	1745		
Channel				20050	20175	20300		
20	QPSK	1	0	19.93	19.88	18.82	20.00	0
		1	50	19.70	19.72	18.74	20.00	0
		1	99	19.87	19.69	18.68	20.00	0
		50	0	18.85	18.75	17.64	19.00	1
		50	25	18.80	18.71	17.61	19.00	1
		50	50	18.80	18.82	17.70	19.00	1
		100	0	18.66	18.73	17.57	19.00	1
20	16-QAM	1	0	18.72	18.73	17.59	19.00	1
		1	50	18.73	18.75	17.54	19.00	1
		1	99	18.84	18.70	17.66	19.00	1
		50	0	17.77	17.64	16.68	18.00	2
		50	25	17.73	17.80	16.58	18.00	2
		50	50	17.75	17.74	16.60	18.00	2
20	64-QAM	100	0	17.86	17.67	16.66	18.00	2
		1	0	17.85	17.68	16.65	18.00	2
		1	50	17.83	17.65	16.64	18.00	2
		1	99	17.79	17.79	16.65	18.00	2
		50	0	16.77	16.75	15.68	17.00	3
		50	25	16.73	16.75	15.72	17.00	3
20	256-QAM	50	50	16.78	16.70	15.69	17.00	3
		100	0	16.84	16.82	15.63	17.00	3
		1	0	16.74	16.64	15.65	17.00	3
		1	50	16.67	16.68	15.65	17.00	3
		1	99	16.87	16.69	15.67	17.00	3
		50	0	15.80	15.71	14.70	16.00	4
20	256-QAM	50	25	15.81	15.71	14.59	16.00	4
		50	50	15.83	15.68	14.65	16.00	4
		100	0	15.82	15.81	14.62	16.00	4

Unless otherwise stated the results shown in this test report refer only to the sample(s) tested and such sample(s) are retained for 90 days only.

除非另有說明，此報告結果僅對測試之樣品負責，同時此樣品僅保留90天。本報告未經本公司書面許可，不可部份複製。

This document is issued by the Company subject to its General Conditions of Service printed overleaf, available on request or accessible at <http://www.sgs.com.tw/Terms-and-Conditions> and for electronic format documents, subject to Terms and Conditions for Electronic Documents at <http://www.sgs.com.tw/Terms-and-Conditions>. Attention is drawn to the limitation of liability, indemnification and jurisdiction issues defined therein. Any holder of this document is advised that information contained hereon reflects the Company's findings at the time of its intervention only and within the limits of Client's instructions, if any. The Company's sole responsibility is to its Client and this document does not exonerate parties to a transaction from exercising all their rights and obligations under the transaction documents. This document cannot be reproduced except in full, without prior written approval of the Company. Any unauthorized alteration, forgery or falsification of the content or appearance of this document is unlawful and offenders may be prosecuted to the fullest extent of the law.

LTE Band 4								
BW(MHz)	Modulation	RB Size	RB Offset	Conducted power (dBm)			Target Power + Max. Tolerance (dBm)	MPR Allowed per 3GPP(dB)
Frequency (MHz)				1717.5	1732.5	1747.5		
Channel				20025	20175	20325		
15	QPSK	1	0	19.72	19.63	18.63	20.00	0
		1	36	19.82	19.69	18.69	20.00	0
		1	74	19.77	19.78	18.67	20.00	0
		36	0	18.68	18.82	17.61	19.00	1
		36	18	18.82	18.75	17.60	19.00	1
		36	37	18.65	18.77	17.72	19.00	1
		75	0	18.72	18.78	17.65	19.00	1
15	16-QAM	1	0	18.81	18.65	17.62	19.00	1
		1	36	18.72	18.78	17.67	19.00	1
		1	74	18.76	18.75	17.77	19.00	1
		36	0	17.80	17.86	16.64	18.00	2
		36	18	17.81	17.74	16.77	18.00	2
		36	37	17.78	17.70	16.65	18.00	2
		75	0	17.80	17.82	16.57	18.00	2
15	64-QAM	1	0	17.81	17.63	16.66	18.00	2
		1	36	17.84	17.66	16.62	18.00	2
		1	74	17.81	17.81	16.64	18.00	2
		36	0	16.83	16.70	15.58	17.00	3
		36	18	16.79	16.69	15.66	17.00	3
		36	37	16.69	16.69	15.67	17.00	3
		75	0	16.78	16.77	15.57	17.00	3
15	256-QAM	1	0	16.81	16.65	15.65	17.00	3
		1	36	16.70	16.78	15.72	17.00	3
		1	74	16.76	16.60	15.67	17.00	3
		36	0	15.74	15.74	14.76	16.00	4
		36	18	15.80	15.68	14.66	16.00	4
		36	37	15.70	15.66	14.71	16.00	4
		75	0	15.75	15.72	14.76	16.00	4
LTE Band 4								
BW(MHz)	Modulation	RB Size	RB Offset	Conducted power (dBm)			Target Power + Max. Tolerance (dBm)	MPR Allowed per 3GPP(dB)
Frequency (MHz)				1715	1732.5	1750		
Channel				20000	20175	20350		
10	QPSK	1	0	19.77	19.61	18.62	20.00	0
		1	25	19.82	19.74	18.57	20.00	0
		1	49	19.77	19.82	18.64	20.00	0
		25	0	18.71	18.70	17.75	19.00	1
		25	12	18.78	18.75	17.75	19.00	1
		25	25	18.83	18.69	17.73	19.00	1
		50	0	18.79	18.69	17.66	19.00	1
10	16-QAM	1	0	18.71	18.76	17.65	19.00	1
		1	25	18.80	18.74	17.74	19.00	1
		1	49	18.70	18.73	17.74	19.00	1
		25	0	17.83	17.64	16.70	18.00	2
		25	12	17.81	17.76	16.75	18.00	2
		25	25	17.80	17.74	16.72	18.00	2
		50	0	17.72	17.80	16.61	18.00	2
10	64-QAM	1	0	17.86	17.66	16.67	18.00	2
		1	25	17.75	17.67	16.62	18.00	2
		1	49	17.76	17.68	16.64	18.00	2
		25	0	16.88	16.66	15.69	17.00	3
		25	12	16.81	16.68	15.75	17.00	3
		25	25	16.77	16.67	15.61	17.00	3
		50	0	16.79	16.71	15.63	17.00	3
10	256-QAM	1	0	16.72	16.78	15.68	17.00	3
		1	25	16.72	16.75	15.57	17.00	3
		1	49	16.75	16.75	15.58	17.00	3
		25	0	15.79	15.78	14.62	16.00	4
		25	12	15.81	15.73	14.64	16.00	4
		25	25	15.83	15.72	14.68	16.00	4
		50	0	15.71	15.74	14.73	16.00	4

Unless otherwise stated the results shown in this test report refer only to the sample(s) tested and such sample(s) are retained for 90 days only.

除非另有說明，此報告結果僅對測試之樣品負責，同時此樣品僅保留90天。本報告未經本公司書面許可，不可部份複製。

This document is issued by the Company subject to its General Conditions of Service printed overleaf, available on request or accessible at <http://www.sgs.com.tw/Terms-and-Conditions> and for electronic format documents, subject to Terms and Conditions for Electronic Documents at <http://www.sgs.com.tw/Terms-and-Conditions>. Attention is drawn to the limitation of liability, indemnification and jurisdiction issues defined therein. Any holder of this document is advised that information contained hereon reflects the Company's findings at the time of its intervention only and within the limits of Client's instructions, if any. The Company's sole responsibility is to its Client and this document does not exonerate parties to a transaction from exercising all their rights and obligations under the transaction documents. This document cannot be reproduced except in full, without prior written approval of the Company. Any unauthorized alteration, forgery or falsification of the content or appearance of this document is unlawful and offenders may be prosecuted to the fullest extent of the law.

LTE Band 4										
BW(MHz)	Modulation	RB Size	RB Offset	Conducted power (dBm)			Target Power + Max. Tolerance (dBm)	MPR Allowed per 3GPP(dB)		
Frequency (MHz)				1712.5	1732.5	1752.5				
Channel				19975	20175	20375				
5	QPSK	1	0	19.78	19.75	18.60	20.00	0		
		1	12	19.79	19.78	18.68	20.00	0		
		1	24	19.76	19.66	18.65	20.00	0		
		12	0	18.86	18.64	17.61	19.00	1		
		12	6	18.76	18.72	17.65	19.00	1		
		12	13	18.70	18.70	17.71	19.00	1		
5	16-QAM	25	0	18.76	18.61	17.58	19.00	1		
		1	0	18.76	18.72	17.63	19.00	1		
		1	12	18.73	18.75	17.63	19.00	1		
		1	24	18.79	18.62	17.65	19.00	1		
		12	0	17.78	17.73	16.72	18.00	2		
		12	6	17.75	17.78	16.78	18.00	2		
5	64-QAM	12	13	17.77	17.77	16.60	18.00	2		
		25	0	17.79	17.69	16.66	18.00	2		
		1	0	17.69	17.72	16.66	18.00	2		
		1	12	17.68	17.78	16.65	18.00	2		
		1	24	17.80	17.75	16.63	18.00	2		
		12	0	16.84	16.78	15.64	17.00	3		
5	256-QAM	12	6	16.79	16.68	15.71	17.00	3		
		12	13	16.72	16.73	15.58	17.00	3		
		25	0	16.78	16.73	15.79	17.00	3		
		1	0	16.72	16.72	15.68	17.00	3		
		1	12	16.75	16.63	15.68	17.00	3		
		1	24	16.73	16.76	15.53	17.00	3		
3	QPSK	12	0	15.63	15.68	14.71	16.00	4		
		12	6	15.77	15.70	14.68	16.00	4		
		12	13	15.72	15.76	14.66	16.00	4		
		25	0	15.68	15.59	14.62	16.00	4		
		LTE Band 4								
		BW(MHz)	Modulation	RB Size	RB Offset	Conducted power (dBm)			Target Power + Max. Tolerance (dBm)	MPR Allowed per 3GPP(dB)
Frequency (MHz)				1711.5	1732.5	1753.5				
Channel				19965	20175	20385				
3	QPSK	1	0	19.76	19.68	18.73	20.00	0		
		1	7	19.84	19.78	18.75	20.00	0		
		1	14	19.72	19.60	18.70	20.00	0		
		8	0	18.77	18.71	17.55	19.00	1		
		8	4	18.79	18.66	17.71	19.00	1		
		8	7	18.90	18.71	17.63	19.00	1		
		15	0	18.77	18.63	17.60	19.00	1		
3	16-QAM	1	0	18.72	18.78	17.64	19.00	1		
		1	7	18.70	18.65	17.65	19.00	1		
		1	14	18.77	18.73	17.69	19.00	1		
		8	0	17.76	17.66	16.65	18.00	2		
		8	4	17.67	17.68	16.75	18.00	2		
		8	7	17.68	17.67	16.69	18.00	2		
3	64-QAM	15	0	17.80	17.77	16.73	18.00	2		
		1	0	17.82	17.64	16.67	18.00	2		
		1	7	17.73	17.73	16.70	18.00	2		
		1	14	17.77	17.71	16.65	18.00	2		
		8	0	16.82	16.78	15.62	17.00	3		
		8	4	16.64	16.64	15.76	17.00	3		
3	256-QAM	8	7	16.75	16.75	15.60	17.00	3		
		15	0	16.77	16.67	15.63	17.00	3		
		1	0	16.77	16.67	15.68	17.00	3		
		1	7	16.83	16.72	15.61	17.00	3		
		1	14	16.88	16.85	15.62	17.00	3		
		8	0	15.74	15.60	14.56	16.00	4		
3	256-QAM	8	4	15.73	15.79	14.56	16.00	4		
		8	7	15.81	15.73	14.66	16.00	4		
		8	0	15.85	15.70	14.75	16.00	4		
		15	0	15.85	15.70	14.75	16.00	4		

Unless otherwise stated the results shown in this test report refer only to the sample(s) tested and such sample(s) are retained for 90 days only.

除非另有說明，此報告結果僅對測試之樣品負責，同時此樣品僅保留90天。本報告未經本公司書面許可，不可部份複製。

This document is issued by the Company subject to its General Conditions of Service printed overleaf, available on request or accessible at <http://www.sgs.com.tw/Terms-and-Conditions> and for electronic format documents, subject to Terms and Conditions for Electronic Documents at <http://www.sgs.com.tw/Terms-and-Conditions>. Attention is drawn to the limitation of liability, indemnification and jurisdiction issues defined therein. Any holder of this document is advised that information contained hereon reflects the Company's findings at the time of its intervention only and within the limits of Client's instructions, if any. The Company's sole responsibility is to its Client and this document does not exonerate parties to a transaction from exercising all their rights and obligations under the transaction documents. This document cannot be reproduced except in full, without prior written approval of the Company. Any unauthorized alteration, forgery or falsification of the content or appearance of this document is unlawful and offenders may be prosecuted to the fullest extent of the law.

LTE Band 4								
BW(MHz)	Modulation	RB Size	RB Offset	Conducted power (dBm)			Target Power + Max. Tolerance (dBm)	MPR Allowed per 3GPP(dB)
Frequency (MHz)				1710.7	1732.5	1754.3		
Channel				19957	20175	20393		
1.4	QPSK	1	0	19.88	19.71	18.62	20.00	0
		1	2	19.69	19.68	18.80	20.00	0
		1	5	19.74	19.69	18.65	20.00	0
		3	0	19.78	19.69	18.76	20.00	0
		3	2	19.65	19.86	18.55	20.00	0
		3	3	19.77	19.72	18.60	20.00	0
1.4	16-QAM	6	0	18.82	18.67	17.65	19.00	1
		1	0	18.81	18.70	17.55	19.00	1
		1	2	18.80	18.84	17.61	19.00	1
		1	5	18.67	18.81	17.61	19.00	1
		3	0	18.69	18.69	17.70	19.00	1
		3	2	18.68	18.72	17.64	19.00	1
1.4	64-QAM	3	3	18.73	18.82	17.73	19.00	1
		6	0	17.74	17.72	16.63	18.00	2
		1	0	17.77	17.68	16.75	18.00	2
		1	2	17.83	17.82	16.64	18.00	2
		1	5	17.87	17.76	16.66	18.00	2
		3	0	17.70	17.70	16.53	18.00	2
1.4	256-QAM	3	2	17.77	17.64	16.62	18.00	2
		3	3	17.85	17.76	16.66	18.00	2
		6	0	16.76	16.71	15.76	17.00	3
		1	0	16.75	16.74	15.64	17.00	3
		1	2	16.76	16.79	15.63	17.00	3
		1	5	16.84	16.70	15.62	17.00	3
1.4	256-QAM	3	0	16.77	16.84	15.62	17.00	3
		3	2	16.71	16.73	15.67	17.00	3
		3	3	16.77	16.75	15.64	17.00	3
		6	0	15.73	15.63	14.58	16.00	4

LTE Band 5								
BW(MHz)	Modulation	RB Size	RB Offset	Conducted power (dBm)			Target Power + Max. Tolerance (dBm)	MPR Allowed per 3GPP(dB)
Frequency (MHz)				829	836.5	844		
Channel				20450	20525	20600		
10	QPSK	1	0	19.75	19.63	19.74	20.00	0
		1	25	19.65	19.47	19.66	20.00	0
		1	49	19.55	19.47	19.60	20.00	0
		25	0	18.57	18.52	18.49	19.00	1
		25	12	18.61	18.38	18.59	19.00	1
		25	25	18.58	18.49	18.67	19.00	1
		50	0	18.54	18.43	18.62	19.00	1
10	16-QAM	1	0	18.58	18.35	18.66	19.00	1
		1	25	18.53	18.57	18.60	19.00	1
		1	49	18.49	18.45	18.59	19.00	1
		25	0	17.63	17.56	17.59	18.00	2
		25	12	17.60	17.41	17.61	18.00	2
		25	25	17.59	17.54	17.53	18.00	2
10	64-QAM	50	0	17.61	17.41	17.64	18.00	2
		1	0	17.55	17.39	17.67	18.00	2
		1	25	17.57	17.48	17.60	18.00	2
		1	49	17.69	17.42	17.57	18.00	2
		25	0	16.72	16.48	16.70	17.00	3
		25	12	16.55	16.49	16.60	17.00	3
10	256-QAM	25	25	16.55	16.55	16.60	17.00	3
		50	0	16.69	16.46	16.72	17.00	3
		1	0	16.67	16.48	16.65	17.00	3
		1	25	16.59	16.57	16.53	17.00	3
		1	49	16.57	16.57	16.60	17.00	3
		25	0	15.59	15.43	15.57	16.00	4
10	256-QAM	25	12	15.63	15.41	15.53	16.00	4
		25	25	15.50	15.52	15.52	16.00	4
		25	0	15.53	15.49	15.57	16.00	4

Unless otherwise stated the results shown in this test report refer only to the sample(s) tested and such sample(s) are retained for 90 days only.

除非另有說明，此報告結果僅對測試之樣品負責，同時此樣品僅保留90天。本報告未經本公司書面許可，不可部份複製。

This document is issued by the Company subject to its General Conditions of Service printed overleaf, available on request or accessible at <http://www.sgs.com.tw/Terms-and-Conditions> and for electronic format documents, subject to Terms and Conditions for Electronic Documents at <http://www.sgs.com.tw/Terms-and-Conditions>. Attention is drawn to the limitation of liability, indemnification and jurisdiction issues defined therein. Any holder of this document is advised that information contained hereon reflects the Company's findings at the time of its intervention only and within the limits of Client's instructions, if any. The Company's sole responsibility is to its Client and this document does not exonerate parties to a transaction from exercising all their rights and obligations under the transaction documents. This document cannot be reproduced except in full, without prior written approval of the Company. Any unauthorized alteration, forgery or falsification of the content or appearance of this document is unlawful and offenders may be prosecuted to the fullest extent of the law.

LTE Band 5								
BW(MHz)	Modulation	RB Size	RB Offset	Conducted power (dBm)			Target Power + Max. Tolerance (dBm)	MPR Allowed per 3GPP(dB)
Frequency (MHz)				826.5	836.5	846.5		
Channel				20425	20525	20625		
5	QPSK	1	0	19.70	19.52	19.54	20.00	0
		1	12	19.56	19.48	19.69	20.00	0
		1	24	19.60	19.43	19.51	20.00	0
		12	0	18.52	18.55	18.54	19.00	1
		12	6	18.62	18.43	18.58	19.00	1
		12	13	18.58	18.58	18.68	19.00	1
5	16-QAM	25	0	18.53	18.46	18.53	19.00	1
		1	0	18.65	18.42	18.68	19.00	1
		1	12	18.59	18.46	18.60	19.00	1
		1	24	18.49	18.46	18.54	19.00	1
		12	0	17.56	17.50	17.51	18.00	2
		12	6	17.54	17.46	17.57	18.00	2
5	64-QAM	12	13	17.70	17.38	17.59	18.00	2
		25	0	17.60	17.58	17.49	18.00	2
		1	0	17.55	17.42	17.66	18.00	2
		1	12	17.52	17.45	17.50	18.00	2
		1	24	17.61	17.55	17.56	18.00	2
		12	0	16.50	16.43	16.53	17.00	3
5	256-QAM	12	6	16.48	16.44	16.50	17.00	3
		12	13	16.59	16.46	16.54	17.00	3
		25	0	16.63	16.45	16.63	17.00	3
		1	0	16.63	16.47	16.49	17.00	3
		1	12	16.57	16.52	16.64	17.00	3
		1	24	16.57	16.50	16.46	17.00	3
5	256-QAM	12	0	15.55	15.49	15.58	16.00	4
		12	6	15.57	15.45	15.61	16.00	4
		12	13	15.58	15.38	15.55	16.00	4
		25	0	15.62	15.61	15.54	16.00	4

LTE Band 5								
BW(MHz)	Modulation	RB Size	RB Offset	Conducted power (dBm)			Target Power + Max. Tolerance (dBm)	MPR Allowed per 3GPP(dB)
Frequency (MHz)				825.5	836.5	847.5		
Channel				20415	20525	20635		
3	QPSK	1	0	19.62	19.47	19.71	20.00	0
		1	7	19.65	19.49	19.67	20.00	0
		1	14	19.54	19.49	19.46	20.00	0
		8	0	18.60	18.47	18.55	19.00	1
		8	4	18.57	18.43	18.63	19.00	1
		8	7	18.55	18.47	18.49	19.00	1
		15	0	18.62	18.41	18.62	19.00	1
		1	0	18.62	18.57	18.52	19.00	1
3	16-QAM	1	7	18.57	18.50	18.52	19.00	1
		1	14	18.53	18.42	18.57	19.00	1
		8	0	17.62	17.42	17.49	18.00	2
		8	4	17.54	17.47	17.63	18.00	2
		8	7	17.56	17.51	17.50	18.00	2
		15	0	17.50	17.56	17.65	18.00	2
3	64-QAM	1	0	17.59	17.47	17.65	18.00	2
		1	7	17.70	17.48	17.61	18.00	2
		1	14	17.60	17.45	17.59	18.00	2
		8	0	16.57	16.43	16.63	17.00	3
		8	4	16.69	16.38	16.68	17.00	3
		8	7	16.55	16.51	16.61	17.00	3
3	256-QAM	15	0	16.56	16.33	16.62	17.00	3
		1	0	16.53	16.42	16.49	17.00	3
		1	7	16.60	16.52	16.55	17.00	3
		1	14	16.61	16.37	16.59	17.00	3
		8	0	15.54	15.57	15.66	16.00	4
		8	4	15.58	15.46	15.60	16.00	4
3	256-QAM	8	7	15.51	15.38	15.66	16.00	4
		15	0	15.59	15.51	15.54	16.00	4

Unless otherwise stated the results shown in this test report refer only to the sample(s) tested and such sample(s) are retained for 90 days only.

除非另有說明，此報告結果僅對測試之樣品負責，同時此樣品僅保留90天。本報告未經本公司書面許可，不可部份複製。

This document is issued by the Company subject to its General Conditions of Service printed overleaf, available on request or accessible at <http://www.sgs.com.tw/Terms-and-Conditions> and for electronic format documents, subject to Terms and Conditions for Electronic Documents at <http://www.sgs.com.tw/Terms-and-Conditions>. Attention is drawn to the limitation of liability, indemnification and jurisdiction issues defined therein. Any holder of this document is advised that information contained hereon reflects the Company's findings at the time of its intervention only and within the limits of Client's instructions, if any. The Company's sole responsibility is to its Client and this document does not exonerate parties to a transaction from exercising all their rights and obligations under the transaction documents. This document cannot be reproduced except in full, without prior written approval of the Company. Any unauthorized alteration, forgery or falsification of the content or appearance of this document is unlawful and offenders may be prosecuted to the fullest extent of the law.

LTE Band 5								
BW(MHz)	Modulation	RB Size	RB Offset	Conducted power (dBm)			Target Power + Max. Tolerance (dBm)	MPR Allowed per 3GPP(dB)
Frequency (MHz)				824.7	836.5	848.3		
Channel				20407	20525	20643		
1.4	QPSK	1	0	19.55	19.46	19.55	20.00	0
		1	2	19.45	19.53	19.59	20.00	0
		1	5	19.66	19.49	19.55	20.00	0
		3	0	19.62	19.38	19.61	20.00	0
		3	2	19.64	19.51	19.62	20.00	0
		3	3	19.55	19.48	19.57	20.00	0
1.4	16-QAM	6	0	18.61	18.39	18.55	19.00	1
		1	0	18.53	18.49	18.64	19.00	1
		1	2	18.57	18.49	18.60	19.00	1
		1	5	18.52	18.50	18.65	19.00	1
		3	0	18.53	18.45	18.49	19.00	1
		3	2	18.58	18.52	18.57	19.00	1
1.4	64-QAM	3	3	18.58	18.37	18.51	19.00	1
		6	0	17.65	17.50	17.67	18.00	2
		1	0	17.61	17.40	17.64	18.00	2
		1	2	17.65	17.46	17.56	18.00	2
		1	5	17.54	17.54	17.61	18.00	2
		3	0	17.53	17.56	17.63	18.00	2
1.4	256-QAM	3	2	17.49	17.45	17.60	18.00	2
		3	3	17.52	17.60	17.51	18.00	2
		6	0	16.53	16.35	16.56	17.00	3
		1	0	16.70	16.42	16.53	17.00	3
		1	2	16.64	16.46	16.66	17.00	3
		1	5	16.59	16.51	16.48	17.00	3
1.4	256-QAM	3	0	16.60	16.53	16.61	17.00	3
		3	2	16.53	16.50	16.66	17.00	3
		3	3	16.61	16.47	16.63	17.00	3
		6	0	15.51	15.56	15.61	16.00	4

LTE Band 12								
BW(MHz)	Modulation	RB Size	RB Offset	Conducted power (dBm)			Target Power + Max. Tolerance (dBm)	MPR Allowed per 3GPP(dB)
Frequency (MHz)				704	707.5	711		
Channel				23060	23095	23130		
10	QPSK	1	0	19.85	19.73	18.81	20.00	0
		1	25	19.62	19.43	18.66	20.00	0
		1	49	19.70	19.67	18.69	20.00	0
		25	0	18.65	18.46	17.77	19.00	1
		25	12	18.75	18.53	17.52	19.00	1
		25	25	18.72	18.63	17.55	19.00	1
		50	0	18.72	18.44	17.54	19.00	1
10	16-QAM	1	0	18.64	18.54	17.64	19.00	1
		1	25	18.69	18.46	17.68	19.00	1
		1	49	18.65	18.50	17.55	19.00	1
		25	0	17.69	17.49	16.67	18.00	2
		25	12	17.69	17.58	16.63	18.00	2
		25	25	17.65	17.61	16.70	18.00	2
10	64-QAM	50	0	17.72	17.57	16.64	18.00	2
		1	0	17.77	17.51	16.75	18.00	2
		1	25	17.66	17.67	16.68	18.00	2
		1	49	17.64	17.58	16.67	18.00	2
		25	0	16.68	16.53	15.58	17.00	3
		25	12	16.61	16.53	15.60	17.00	3
10	256-QAM	25	25	16.65	16.49	15.60	17.00	3
		50	0	16.76	16.63	15.54	17.00	3
		1	0	16.55	16.52	15.69	17.00	3
		1	25	16.75	16.47	15.56	17.00	3
		1	49	16.67	16.48	15.61	17.00	3
		25	0	15.83	15.55	14.66	16.00	4
10	256-QAM	25	12	15.80	15.66	14.58	16.00	4
		25	25	15.71	15.58	14.67	16.00	4
		50	0	15.81	15.52	14.67	16.00	4

Unless otherwise stated the results shown in this test report refer only to the sample(s) tested and such sample(s) are retained for 90 days only.

除非另有說明，此報告結果僅對測試之樣品負責，同時此樣品僅保留90天。本報告未經本公司書面許可，不可部份複製。

This document is issued by the Company subject to its General Conditions of Service printed overleaf, available on request or accessible at <http://www.sgs.com.tw/Terms-and-Conditions> and for electronic format documents, subject to Terms and Conditions for Electronic Documents at <http://www.sgs.com.tw/Terms-and-Conditions>. Attention is drawn to the limitation of liability, indemnification and jurisdiction issues defined therein. Any holder of this document is advised that information contained hereon reflects the Company's findings at the time of its intervention only and within the limits of Client's instructions, if any. The Company's sole responsibility is to its Client and this document does not exonerate parties to a transaction from exercising all their rights and obligations under the transaction documents. This document cannot be reproduced except in full, without prior written approval of the Company. Any unauthorized alteration, forgery or falsification of the content or appearance of this document is unlawful and offenders may be prosecuted to the fullest extent of the law.

LTE Band 12								
BW(MHz)	Modulation	RB Size	RB Offset	Conducted power (dBm)			Target Power + Max. Tolerance (dBm)	MPR Allowed per 3GPP(dB)
Frequency (MHz)				701.5	707.5	713.5		
Channel				23035	23095	23155		
5	QPSK	1	0	19.65	19.56	18.59	20.00	0
		1	12	19.79	19.58	18.63	20.00	0
		1	24	19.77	19.56	18.61	20.00	0
		12	0	18.75	18.62	17.60	19.00	1
		12	6	18.69	18.59	17.77	19.00	1
		12	13	18.59	18.46	17.78	19.00	1
5	16-QAM	25	0	18.71	18.63	17.53	19.00	1
		1	0	18.66	18.67	17.60	19.00	1
		1	12	18.72	18.50	17.75	19.00	1
		1	24	18.76	18.58	17.65	19.00	1
		12	0	17.64	17.54	16.70	18.00	2
		12	6	17.63	17.56	16.66	18.00	2
5	64-QAM	12	13	17.66	17.55	16.70	18.00	2
		25	0	17.67	17.60	16.70	18.00	2
		1	0	17.75	17.69	16.58	18.00	2
		1	12	17.57	17.54	16.59	18.00	2
		1	24	17.77	17.64	16.68	18.00	2
		12	0	16.57	16.68	15.71	17.00	3
5	256-QAM	12	6	16.73	16.58	15.67	17.00	3
		12	13	16.69	16.62	15.64	17.00	3
		25	0	16.64	16.58	15.70	17.00	3
		1	0	16.62	16.62	15.59	17.00	3
		1	12	16.69	16.59	15.70	17.00	3
		1	24	16.65	16.65	15.63	17.00	3
5	256-QAM	12	0	15.68	15.47	14.60	16.00	4
		12	6	15.58	15.54	14.62	16.00	4
		12	13	15.76	15.58	14.69	16.00	4
		25	0	15.71	15.45	14.61	16.00	4

LTE Band 12								
BW(MHz)	Modulation	RB Size	RB Offset	Conducted power (dBm)			Target Power + Max. Tolerance (dBm)	MPR Allowed per 3GPP(dB)
Frequency (MHz)				700.5	707.5	714.5		
Channel				23025	23095	23165		
3	QPSK	1	0	19.69	19.55	18.72	20.00	0
		1	7	19.80	19.48	18.67	20.00	0
		1	14	19.56	19.50	18.64	20.00	0
		8	0	18.80	18.54	17.66	19.00	1
		8	4	18.77	18.57	17.65	19.00	1
		8	7	18.83	18.53	17.65	19.00	1
		15	0	18.83	18.55	17.62	19.00	1
3	16-QAM	1	0	18.70	18.62	17.61	19.00	1
		1	7	18.63	18.49	17.60	19.00	1
		1	14	18.66	18.62	17.65	19.00	1
		8	0	17.68	17.54	16.61	18.00	2
		8	4	17.76	17.62	16.71	18.00	2
		8	7	17.71	17.63	16.52	18.00	2
3	64-QAM	15	0	17.62	17.59	16.63	18.00	2
		1	0	17.70	17.57	16.70	18.00	2
		1	7	17.68	17.53	16.56	18.00	2
		1	14	17.65	17.71	16.67	18.00	2
		8	0	16.73	16.57	15.69	17.00	3
		8	4	16.73	16.56	15.68	17.00	3
3	256-QAM	8	7	16.75	16.51	15.65	17.00	3
		15	0	16.62	16.51	15.61	17.00	3
		1	0	16.83	16.63	15.64	17.00	3
		1	7	16.75	16.64	15.63	17.00	3
		1	14	16.75	16.53	15.62	17.00	3
		8	0	15.71	15.45	14.76	16.00	4
3	256-QAM	8	4	15.70	15.59	14.54	16.00	4
		8	7	15.66	15.57	14.63	16.00	4
		15	0	15.64	15.56	14.67	16.00	4

Unless otherwise stated the results shown in this test report refer only to the sample(s) tested and such sample(s) are retained for 90 days only.

除非另有說明，此報告結果僅對測試之樣品負責，同時此樣品僅保留90天。本報告未經本公司書面許可，不可部份複製。

This document is issued by the Company subject to its General Conditions of Service printed overleaf, available on request or accessible at <http://www.sgs.com.tw/Terms-and-Conditions> and for electronic format documents, subject to Terms and Conditions for Electronic Documents at <http://www.sgs.com.tw/Terms-and-Conditions>. Attention is drawn to the limitation of liability, indemnification and jurisdiction issues defined therein. Any holder of this document is advised that information contained hereon reflects the Company's findings at the time of its intervention only and within the limits of Client's instructions, if any. The Company's sole responsibility is to its Client and this document does not exonerate parties to a transaction from exercising all their rights and obligations under the transaction documents. This document cannot be reproduced except in full, without prior written approval of the Company. Any unauthorized alteration, forgery or falsification of the content or appearance of this document is unlawful and offenders may be prosecuted to the fullest extent of the law.

LTE Band 12								
BW(MHz)	Modulation	RB Size	RB Offset	Conducted power (dBm)			Target Power + Max. Tolerance (dBm)	MPR Allowed per 3GPP(dB)
Frequency (MHz)				699.7	707.5	715.3		
Channel				23017	23095	23173		
1.4	QPSK	1	0	19.64	19.65	18.75	20.00	0
		1	2	19.65	19.64	18.63	20.00	0
		1	5	19.72	19.55	18.60	20.00	0
		3	0	19.69	19.52	18.64	20.00	0
		3	2	19.64	19.69	18.67	20.00	0
		3	3	19.63	19.58	18.60	20.00	0
1.4	16-QAM	6	0	18.62	18.61	17.69	19.00	1
		1	0	18.60	18.49	17.60	19.00	1
		1	2	18.81	18.66	17.65	19.00	1
		1	5	18.72	18.57	17.67	19.00	1
		3	0	18.70	18.56	17.62	19.00	1
		3	2	18.70	18.60	17.73	19.00	1
1.4	64-QAM	3	3	18.72	18.62	17.72	19.00	1
		6	0	17.67	17.63	16.65	18.00	2
		1	0	17.68	17.49	16.56	18.00	2
		1	2	17.73	17.51	16.74	18.00	2
		1	5	17.74	17.61	16.64	18.00	2
		3	0	17.74	17.69	16.69	18.00	2
1.4	256-QAM	3	2	17.71	17.67	16.65	18.00	2
		3	3	17.61	17.52	16.66	18.00	2
		6	0	16.69	16.55	15.75	17.00	3
		1	0	16.67	16.55	15.72	17.00	3
		1	2	16.75	16.61	15.66	17.00	3
		1	5	16.73	16.60	15.60	17.00	3
1.4	256-QAM	3	0	16.78	16.70	15.56	17.00	3
		3	2	16.72	16.59	15.68	17.00	3
		3	3	16.75	16.62	15.67	17.00	3
		6	0	15.73	15.63	14.60	16.00	4

LTE Band 13								
BW(MHz)	Modulation	RB Size	RB Offset	Conducted power (dBm)			Target Power + Max. Tolerance (dBm)	MPR Allowed per 3GPP(dB)
Frequency (MHz)				782	782	782		
Channel				23230	23230	23230		
10	QPSK	1	0	19.80	19.80	19.80	20.00	0
		1	25	19.62	19.62	19.62	20.00	0
		1	49	19.64	19.64	19.64	20.00	0
		25	0	18.64	18.64	18.64	19.00	1
		25	12	18.53	18.53	18.53	19.00	1
		25	25	18.61	18.61	18.61	19.00	1
		50	0	18.68	18.68	18.68	19.00	1
10	16-QAM	1	0	18.60	18.60	18.60	19.00	1
		1	25	18.68	18.68	18.68	19.00	1
		1	49	18.63	18.63	18.63	19.00	1
		25	0	17.64	17.64	17.64	18.00	2
		25	12	17.70	17.70	17.70	18.00	2
		25	25	17.66	17.66	17.66	18.00	2
10	64-QAM	50	0	17.60	17.60	17.60	18.00	2
		1	0	17.65	17.65	17.65	18.00	2
		1	25	17.65	17.65	17.65	18.00	2
		1	49	17.57	17.57	17.57	18.00	2
		25	0	16.53	16.53	16.53	17.00	3
		25	12	16.72	16.72	16.72	17.00	3
10	256-QAM	25	25	16.69	16.69	16.69	17.00	3
		50	0	16.51	16.51	16.51	17.00	3
		1	0	16.75	16.75	16.75	17.00	3
		1	25	16.60	16.60	16.60	17.00	3
		1	49	16.71	16.71	16.71	17.00	3
		25	0	15.60	15.60	15.60	16.00	4
10	256-QAM	25	12	15.62	15.62	15.62	16.00	4
		25	25	15.74	15.74	15.74	16.00	4
		25	0	15.57	15.57	15.57	16.00	4

Unless otherwise stated the results shown in this test report refer only to the sample(s) tested and such sample(s) are retained for 90 days only.

除非另有說明，此報告結果僅對測試之樣品負責，同時此樣品僅保留90天。本報告未經本公司書面許可，不可部份複製。

This document is issued by the Company subject to its General Conditions of Service printed overleaf, available on request or accessible at <http://www.sgs.com.tw/Terms-and-Conditions> and for electronic format documents, subject to Terms and Conditions for Electronic Documents at <http://www.sgs.com.tw/Terms-and-Conditions>. Attention is drawn to the limitation of liability, indemnification and jurisdiction issues defined therein. Any holder of this document is advised that information contained hereon reflects the Company's findings at the time of its intervention only and within the limits of Client's instructions, if any. The Company's sole responsibility is to its Client and this document does not exonerate parties to a transaction from exercising all their rights and obligations under the transaction documents. This document cannot be reproduced except in full, without prior written approval of the Company. Any unauthorized alteration, forgery or falsification of the content or appearance of this document is unlawful and offenders may be prosecuted to the fullest extent of the law.

LTE Band 13								
BW(MHz)	Modulation	RB Size	RB Offset	Conducted power (dBm)			Target Power + Max. Tolerance (dBm)	MPR Allowed per 3GPP(dB)
Frequency (MHz)				779.5	782	784.5		
Channel				23205	23230	23255		
5	QPSK	1	0	19.60	19.69	19.68	20.00	0
		1	12	19.66	19.64	19.64	20.00	0
		1	24	19.75	19.74	19.71	20.00	0
		12	0	18.64	18.56	18.65	19.00	1
		12	6	18.75	18.73	18.58	19.00	1
		12	13	18.63	18.63	18.56	19.00	1
5	16-QAM	25	0	18.62	18.70	18.62	19.00	1
		1	0	18.69	18.66	18.61	19.00	1
		1	12	18.52	18.62	18.66	19.00	1
		1	24	18.52	18.75	18.62	19.00	1
		12	0	17.56	17.74	17.68	18.00	2
		12	6	17.66	17.72	17.59	18.00	2
5	64-QAM	12	13	17.53	17.73	17.65	18.00	2
		25	0	17.69	17.67	17.55	18.00	2
		1	0	17.66	17.78	17.58	18.00	2
		1	12	17.53	17.70	17.62	18.00	2
		1	24	17.58	17.57	17.70	18.00	2
		12	0	16.60	16.65	16.65	17.00	3
5	256-QAM	12	6	16.65	16.68	16.57	17.00	3
		12	13	16.58	16.71	16.59	17.00	3
		25	0	16.71	16.58	16.68	17.00	3
		1	0	16.72	16.71	16.66	17.00	3
		1	12	16.57	16.71	16.60	17.00	3
		1	24	16.71	16.65	16.63	17.00	3
5	256-QAM	12	0	15.66	15.73	15.58	16.00	4
		12	6	15.69	15.63	15.71	16.00	4
		12	13	15.68	15.54	15.63	16.00	4
		25	0	15.57	15.60	15.61	16.00	4

LTE Band 14								
BW(MHz)	Modulation	RB Size	RB Offset	Conducted power (dBm)			Target Power + Max. Tolerance (dBm)	MPR Allowed per 3GPP(dB)
Frequency (MHz)				793	793	793		
Channel				23330	23330	23330		
10	QPSK	1	0	19.85	19.85	19.85	20.00	0
		1	25	19.72	19.72	19.72	20.00	0
		1	49	19.61	19.61	19.61	20.00	0
		25	0	18.61	18.61	18.61	19.00	1
		25	12	18.62	18.62	18.62	19.00	1
		25	25	18.69	18.69	18.69	19.00	1
		50	0	18.57	18.57	18.57	19.00	1
10	16-QAM	1	0	18.62	18.62	18.62	19.00	1
		1	25	18.67	18.67	18.67	19.00	1
		1	49	18.65	18.65	18.65	19.00	1
		25	0	17.66	17.66	17.66	18.00	2
		25	12	17.71	17.71	17.71	18.00	2
		25	25	17.67	17.67	17.67	18.00	2
10	64-QAM	50	0	17.72	17.72	17.72	18.00	2
		1	0	17.72	17.72	17.72	18.00	2
		1	25	17.75	17.75	17.75	18.00	2
		1	49	17.67	17.67	17.67	18.00	2
		25	0	16.59	16.59	16.59	17.00	3
		25	12	16.66	16.66	16.66	17.00	3
10	256-QAM	25	25	16.62	16.62	16.62	17.00	3
		50	0	16.60	16.60	16.60	17.00	3
		1	0	16.62	16.62	16.62	17.00	3
		1	25	16.73	16.73	16.73	17.00	3
		1	49	16.75	16.75	16.75	17.00	3
		25	0	15.76	15.76	15.76	16.00	4
10	256-QAM	25	12	15.67	15.67	15.67	16.00	4
		25	25	15.61	15.61	15.61	16.00	4
		25	0	15.68	15.68	15.68	16.00	4

Unless otherwise stated the results shown in this test report refer only to the sample(s) tested and such sample(s) are retained for 90 days only.

除非另有說明，此報告結果僅對測試之樣品負責，同時此樣品僅保留90天。本報告未經本公司書面許可，不可部份複製。

This document is issued by the Company subject to its General Conditions of Service printed overleaf, available on request or accessible at <http://www.sgs.com.tw/Terms-and-Conditions> and for electronic format documents, subject to Terms and Conditions for Electronic Documents at <http://www.sgs.com.tw/Terms-and-Conditions>. Attention is drawn to the limitation of liability, indemnification and jurisdiction issues defined therein. Any holder of this document is advised that information contained hereon reflects the Company's findings at the time of its intervention only and within the limits of Client's instructions, if any. The Company's sole responsibility is to its Client and this document does not exonerate parties to a transaction from exercising all their rights and obligations under the transaction documents. This document cannot be reproduced except in full, without prior written approval of the Company. Any unauthorized alteration, forgery or falsification of the content or appearance of this document is unlawful and offenders may be prosecuted to the fullest extent of the law.

LTE Band 14										
BW(MHz)	Modulation	RB Size	RB Offset	Conducted power (dBm)			Target Power + Max. Tolerance (dBm)	MPR Allowed per 3GPP(dB)		
Frequency (MHz)				790.5	793	795.5				
Channel				23305	23330	23355				
5	QPSK	1	0	19.79	19.60	19.56	20.00	0		
		1	12	19.73	19.64	19.74	20.00	0		
		1	24	19.65	19.66	19.68	20.00	0		
		12	0	18.68	18.67	18.68	19.00	1		
		12	6	18.72	18.79	18.67	19.00	1		
		12	13	18.82	18.66	18.58	19.00	1		
5	16-QAM	25	0	18.66	18.70	18.71	19.00	1		
		1	0	18.60	18.71	18.74	19.00	1		
		1	12	18.69	18.82	18.66	19.00	1		
		1	24	18.69	18.78	18.63	19.00	1		
		12	0	17.61	17.68	17.79	18.00	2		
		12	6	17.64	17.75	17.69	18.00	2		
5	64-QAM	12	13	17.73	17.82	17.59	18.00	2		
		25	0	17.64	17.75	17.71	18.00	2		
		1	0	17.76	17.63	17.63	18.00	2		
		1	12	17.62	17.75	17.61	18.00	2		
		1	24	17.70	17.83	17.64	18.00	2		
		12	0	16.69	16.69	16.73	17.00	3		
5	256-QAM	12	6	16.66	16.66	16.80	17.00	3		
		12	13	16.70	16.68	16.62	17.00	3		
		25	0	16.65	16.82	16.64	17.00	3		
		1	0	16.60	16.66	16.57	17.00	3		
		1	12	16.56	16.70	16.70	17.00	3		
		1	24	16.75	16.64	16.71	17.00	3		
5	256-QAM	12	0	15.83	15.63	15.65	16.00	4		
		12	6	15.71	15.73	15.69	16.00	4		
		12	13	15.73	15.68	15.72	16.00	4		
		25	0	15.71	15.65	15.73	16.00	4		
		LTE Band 25								
		BW(MHz)	Modulation	RB Size	RB Offset	Conducted power (dBm)			Target Power + Max. Tolerance (dBm)	MPR Allowed per 3GPP(dB)
Frequency (MHz)				1860	1882.5	1905				
Channel				26140	26365	26590				
20	QPSK	1	0	19.74	19.85	19.90	20.00	0		
		1	50	19.59	19.68	19.73	20.00	0		
		1	99	19.58	19.71	19.74	20.00	0		
		50	0	18.64	18.59	18.79	19.00	1		
		50	25	18.59	18.56	18.81	19.00	1		
		50	50	18.66	18.72	18.64	19.00	1		
		100	0	18.68	18.65	18.84	19.00	1		
20	16-QAM	1	0	18.61	18.63	18.82	19.00	1		
		1	50	18.47	18.63	18.77	19.00	1		
		1	99	18.55	18.62	18.72	19.00	1		
		50	0	17.54	17.63	17.71	18.00	2		
		50	25	17.58	17.66	17.69	18.00	2		
		50	50	17.63	17.59	17.64	18.00	2		
20	64-QAM	100	0	17.53	17.61	17.69	18.00	2		
		1	0	17.46	17.74	17.78	18.00	2		
		1	50	17.68	17.71	17.73	18.00	2		
		1	99	17.59	17.68	17.69	18.00	2		
		50	0	16.53	16.59	16.79	17.00	3		
		50	25	16.66	16.65	16.75	17.00	3		
20	256-QAM	50	50	16.60	16.60	16.80	17.00	3		
		100	0	16.67	16.74	16.76	17.00	3		
		1	0	16.52	16.68	16.68	17.00	3		
		1	50	16.70	16.76	16.76	17.00	3		
		1	99	16.65	16.75	16.77	17.00	3		
		50	0	15.64	15.70	15.81	16.00	4		
20	256-QAM	50	25	15.63	15.76	15.78	16.00	4		
		50	50	15.60	15.74	15.76	16.00	4		
		100	0	15.57	15.64	15.66	16.00	4		

Unless otherwise stated the results shown in this test report refer only to the sample(s) tested and such sample(s) are retained for 90 days only.

除非另有說明，此報告結果僅對測試之樣品負責，同時此樣品僅保留90天。本報告未經本公司書面許可，不可部份複製。

This document is issued by the Company subject to its General Conditions of Service printed overleaf, available on request or accessible at <http://www.sgs.com.tw/Terms-and-Conditions> and for electronic format documents, subject to Terms and Conditions for Electronic Documents at <http://www.sgs.com.tw/Terms-and-Conditions>. Attention is drawn to the limitation of liability, indemnification and jurisdiction issues defined therein. Any holder of this document is advised that information contained hereon reflects the Company's findings at the time of its intervention only and within the limits of Client's instructions, if any. The Company's sole responsibility is to its Client and this document does not exonerate parties to a transaction from exercising all their rights and obligations under the transaction documents. This document cannot be reproduced except in full, without prior written approval of the Company. Any unauthorized alteration, forgery or falsification of the content or appearance of this document is unlawful and offenders may be prosecuted to the fullest extent of the law.

LTE Band 25								
BW(MHz)	Modulation	RB Size	RB Offset	Conducted power (dBm)			Target Power + Max. Tolerance (dBm)	MPR Allowed per 3GPP(dB)
Frequency (MHz)				1857.5	1882.5	1907.5		
Channel				26115	26365	26615		
15	QPSK	1	0	19.68	19.78	19.76	20.00	0
		1	36	19.59	19.72	19.73	20.00	0
		1	74	19.68	19.70	19.81	20.00	0
		36	0	18.67	18.78	18.81	19.00	1
		36	18	18.53	18.65	18.71	19.00	1
		36	37	18.51	18.75	18.64	19.00	1
		75	0	18.47	18.80	18.68	19.00	1
15	16-QAM	1	0	18.66	18.75	18.63	19.00	1
		1	36	18.51	18.80	18.69	19.00	1
		1	74	18.48	18.71	18.73	19.00	1
		36	0	17.57	17.71	17.74	18.00	2
		36	18	17.63	17.62	17.69	18.00	2
		36	37	17.68	17.68	17.65	18.00	2
		75	0	17.70	17.57	17.68	18.00	2
15	64-QAM	1	0	17.65	17.68	17.77	18.00	2
		1	36	17.62	17.72	17.84	18.00	2
		1	74	17.58	17.65	17.87	18.00	2
		36	0	16.55	16.73	16.72	17.00	3
		36	18	16.60	16.78	16.81	17.00	3
		36	37	16.62	16.81	16.76	17.00	3
		75	0	16.50	16.64	16.82	17.00	3
15	256-QAM	1	0	16.60	16.65	16.73	17.00	3
		1	36	16.52	16.68	16.77	17.00	3
		1	74	16.57	16.62	16.79	17.00	3
		36	0	15.46	15.75	15.73	16.00	4
		36	18	15.54	15.60	15.75	16.00	4
		36	37	15.68	15.70	15.82	16.00	4
		75	0	15.57	15.66	15.75	16.00	4
LTE Band 25								
BW(MHz)	Modulation	RB Size	RB Offset	Conducted power (dBm)			Target Power + Max. Tolerance (dBm)	MPR Allowed per 3GPP(dB)
Frequency (MHz)				1855	1882.5	1910		
Channel				26090	26365	26640		
10	QPSK	1	0	19.50	19.65	19.66	20.00	0
		1	25	19.55	19.69	19.75	20.00	0
		1	49	19.62	19.67	19.73	20.00	0
		25	0	18.62	18.70	18.73	19.00	1
		25	12	18.58	18.67	18.69	19.00	1
		25	25	18.60	18.62	18.74	19.00	1
		50	0	18.54	18.62	18.74	19.00	1
10	16-QAM	1	0	18.48	18.73	18.77	19.00	1
		1	25	18.50	18.68	18.63	19.00	1
		1	49	18.59	18.65	18.76	19.00	1
		25	0	17.61	17.66	17.85	18.00	2
		25	12	17.52	17.78	17.71	18.00	2
		25	25	17.48	17.63	17.65	18.00	2
		50	0	17.59	17.73	17.74	18.00	2
10	64-QAM	1	0	17.64	17.79	17.78	18.00	2
		1	25	17.65	17.61	17.74	18.00	2
		1	49	17.56	17.68	17.66	18.00	2
		25	0	16.55	16.72	16.79	17.00	3
		25	12	16.66	16.75	16.74	17.00	3
		25	25	16.50	16.60	16.71	17.00	3
		50	0	16.56	16.77	16.75	17.00	3
10	256-QAM	1	0	16.48	16.66	16.74	17.00	3
		1	25	16.61	16.59	16.86	17.00	3
		1	49	16.69	16.78	16.73	17.00	3
		25	0	15.60	15.76	15.65	16.00	4
		25	12	15.46	15.66	15.75	16.00	4
		25	25	15.57	15.72	15.68	16.00	4
		50	0	15.52	15.71	15.72	16.00	4

Unless otherwise stated the results shown in this test report refer only to the sample(s) tested and such sample(s) are retained for 90 days only.

除非另有說明，此報告結果僅對測試之樣品負責，同時此樣品僅保留90天。本報告未經本公司書面許可，不可部份複製。

This document is issued by the Company subject to its General Conditions of Service printed overleaf, available on request or accessible at <http://www.sgs.com.tw/Terms-and-Conditions> and for electronic format documents, subject to Terms and Conditions for Electronic Documents at <http://www.sgs.com.tw/Terms-and-Conditions>. Attention is drawn to the limitation of liability, indemnification and jurisdiction issues defined therein. Any holder of this document is advised that information contained hereon reflects the Company's findings at the time of its intervention only and within the limits of Client's instructions, if any. The Company's sole responsibility is to its Client and this document does not exonerate parties to a transaction from exercising all their rights and obligations under the transaction documents. This document cannot be reproduced except in full, without prior written approval of the Company. Any unauthorized alteration, forgery or falsification of the content or appearance of this document is unlawful and offenders may be prosecuted to the fullest extent of the law.

LTE Band 25								
BW(MHz)	Modulation	RB Size	RB Offset	Conducted power (dBm)			Target Power + Max. Tolerance (dBm)	MPR Allowed per 3GPP(dB)
Frequency (MHz)				1852.5	1882.5	1912.5		
Channel				26065	26365	26665		
5	QPSK	1	0	19.58	19.68	19.71	20.00	0
		1	12	19.55	19.77	19.80	20.00	0
		1	24	19.57	19.67	19.82	20.00	0
		12	0	18.61	18.63	18.79	19.00	1
		12	6	18.66	18.76	18.63	19.00	1
		12	13	18.56	18.62	18.72	19.00	1
5	16-QAM	25	0	18.62	18.80	18.82	19.00	1
		1	0	18.64	18.60	18.61	19.00	1
		1	12	18.52	18.69	18.81	19.00	1
		1	24	18.60	18.73	18.82	19.00	1
		12	0	17.53	17.73	17.73	18.00	2
		12	6	17.48	17.78	17.65	18.00	2
5	64-QAM	12	13	17.58	17.55	17.82	18.00	2
		25	0	17.60	17.69	17.74	18.00	2
		1	0	17.48	17.80	17.78	18.00	2
		1	12	17.58	17.79	17.72	18.00	2
		1	24	17.70	17.75	17.72	18.00	2
		12	0	16.66	16.64	16.69	17.00	3
5	256-QAM	12	6	16.66	16.68	16.73	17.00	3
		12	13	16.63	16.65	16.73	17.00	3
		25	0	16.54	16.62	16.83	17.00	3
		1	0	16.65	16.58	16.73	17.00	3
		1	12	16.54	16.67	16.80	17.00	3
		1	24	16.57	16.71	16.78	17.00	3
5	256-QAM	12	0	15.62	15.63	15.86	16.00	4
		12	6	15.60	15.80	15.70	16.00	4
		12	13	15.51	15.64	15.71	16.00	4
		25	0	15.53	15.60	15.70	16.00	4

LTE Band 25								
BW(MHz)	Modulation	RB Size	RB Offset	Conducted power (dBm)			Target Power + Max. Tolerance (dBm)	MPR Allowed per 3GPP(dB)
Frequency (MHz)				1851.5	1882.5	1913.5		
Channel				26055	26365	26675		
3	QPSK	1	0	19.56	19.61	19.62	20.00	0
		1	7	19.56	19.65	19.66	20.00	0
		1	14	19.67	19.59	19.76	20.00	0
		8	0	18.57	18.72	18.75	19.00	1
		8	4	18.55	18.77	18.79	19.00	1
		8	7	18.67	18.77	18.72	19.00	1
		15	0	18.61	18.68	18.70	19.00	1
3	16-QAM	1	0	18.55	18.66	18.88	19.00	1
		1	7	18.65	18.70	18.82	19.00	1
		1	14	18.59	18.82	18.61	19.00	1
		8	0	17.66	17.78	17.69	18.00	2
		8	4	17.65	17.70	17.73	18.00	2
		8	7	17.57	17.71	17.71	18.00	2
3	64-QAM	15	0	17.57	17.66	17.76	18.00	2
		1	0	17.57	17.73	17.64	18.00	2
		1	7	17.45	17.59	17.71	18.00	2
		1	14	17.70	17.65	17.72	18.00	2
		8	0	16.65	16.73	16.82	17.00	3
		8	4	16.65	16.67	16.71	17.00	3
3	256-QAM	8	7	16.48	16.67	16.77	17.00	3
		15	0	16.51	16.83	16.75	17.00	3
		1	0	16.53	16.63	16.72	17.00	3
		1	7	16.47	16.78	16.79	17.00	3
		1	14	16.49	16.67	16.73	17.00	3
		8	0	15.63	15.70	15.73	16.00	4
3	256-QAM	8	4	15.58	15.69	15.83	16.00	4
		8	7	15.56	15.78	15.73	16.00	4
		15	0	15.58	15.62	15.66	16.00	4

Unless otherwise stated the results shown in this test report refer only to the sample(s) tested and such sample(s) are retained for 90 days only.

除非另有說明，此報告結果僅對測試之樣品負責，同時此樣品僅保留90天。本報告未經本公司書面許可，不可部份複製。

This document is issued by the Company subject to its General Conditions of Service printed overleaf, available on request or accessible at <http://www.sgs.com.tw/Terms-and-Conditions> and for electronic format documents, subject to Terms and Conditions for Electronic Documents at <http://www.sgs.com.tw/Terms-and-Conditions>. Attention is drawn to the limitation of liability, indemnification and jurisdiction issues defined therein. Any holder of this document is advised that information contained hereon reflects the Company's findings at the time of its intervention only and within the limits of Client's instructions, if any. The Company's sole responsibility is to its Client and this document does not exonerate parties to a transaction from exercising all their rights and obligations under the transaction documents. This document cannot be reproduced except in full, without prior written approval of the Company. Any unauthorized alteration, forgery or falsification of the content or appearance of this document is unlawful and offenders may be prosecuted to the fullest extent of the law.

LTE Band 25								
BW(MHz)	Modulation	RB Size	RB Offset	Conducted power (dBm)			Target Power + Max. Tolerance (dBm)	MPR Allowed per 3GPP(dB)
Frequency (MHz)				1850.7	1882.5	1914.3		
Channel				26047	26365	26683		
1.4	QPSK	1	0	19.60	19.77	19.74	20.00	0
		1	2	19.61	19.74	19.71	20.00	0
		1	5	19.62	19.62	19.71	20.00	0
		3	0	19.60	19.72	19.68	20.00	0
		3	2	19.48	19.71	19.80	20.00	0
		3	3	19.67	19.75	19.80	20.00	0
1.4	16-QAM	6	0	18.56	18.65	18.67	19.00	1
		1	0	18.56	18.70	18.70	19.00	1
		1	2	18.63	18.57	18.69	19.00	1
		1	5	18.58	18.76	18.80	19.00	1
		3	0	18.54	18.65	18.74	19.00	1
		3	2	18.62	18.73	18.66	19.00	1
1.4	64-QAM	3	3	18.68	18.81	18.81	19.00	1
		6	0	17.56	17.61	17.76	18.00	2
		1	0	17.60	17.64	17.75	18.00	2
		1	2	17.51	17.77	17.64	18.00	2
		1	5	17.49	17.68	17.77	18.00	2
		3	0	17.56	17.66	17.73	18.00	2
1.4	256-QAM	3	2	17.52	17.67	17.78	18.00	2
		3	3	17.59	17.55	17.64	18.00	2
		6	0	16.72	16.76	16.81	17.00	3
		1	0	16.60	16.67	16.81	17.00	3
		1	2	16.60	16.65	16.84	17.00	3
		1	5	16.58	16.59	16.62	17.00	3
1.4	256-QAM	3	0	16.58	16.73	16.73	17.00	3
		3	2	16.63	16.73	16.77	17.00	3
		3	3	16.62	16.65	16.68	17.00	3
		6	0	15.59	15.64	15.68	16.00	4

LTE Band 26_FCC								
BW(MHz)	Modulation	RB Size	RB Offset	Conducted power (dBm)			Target Power + Max. Tolerance (dBm)	MPR Allowed per 3GPP(dB)
Frequency (MHz)				821.5	831.5	841.5		
Channel				26765	26865	26965		
15	QPSK	1	0	19.75	19.80	19.93	20.00	0
		1	36	19.59	19.62	19.72	20.00	0
		1	74	19.70	19.54	19.86	20.00	0
		36	0	18.54	18.53	18.73	19.00	1
		36	18	18.50	18.55	18.78	19.00	1
		36	37	18.67	18.63	18.75	19.00	1
		75	0	18.65	18.59	18.68	19.00	1
15	16-QAM	1	0	18.61	18.72	18.81	19.00	1
		1	36	18.56	18.72	18.87	19.00	1
		1	74	18.56	18.66	18.79	19.00	1
		36	0	17.56	17.69	17.78	18.00	2
		36	18	17.62	17.53	17.73	18.00	2
		36	37	17.56	17.64	17.73	18.00	2
15	64-QAM	75	0	17.61	17.75	17.84	18.00	2
		1	0	17.58	17.67	17.76	18.00	2
		1	36	17.56	17.73	17.71	18.00	2
		1	74	17.68	17.63	17.85	18.00	2
		36	0	16.54	16.61	16.83	17.00	3
		36	18	16.70	16.68	16.86	17.00	3
15	256-QAM	36	37	16.59	16.67	16.87	17.00	3
		75	0	16.61	16.57	16.74	17.00	3
		1	0	16.68	16.64	16.82	17.00	3
		1	36	16.46	16.74	16.80	17.00	3
		1	74	16.54	16.77	16.86	17.00	3
		36	0	15.51	15.64	15.84	16.00	4
15	256-QAM	36	18	15.61	15.54	15.74	16.00	4
		36	37	15.62	15.64	15.78	16.00	4
		75	0	15.66	15.57	15.73	16.00	4

Unless otherwise stated the results shown in this test report refer only to the sample(s) tested and such sample(s) are retained for 90 days only.

除非另有說明，此報告結果僅對測試之樣品負責，同時此樣品僅保留90天。本報告未經本公司書面許可，不可部份複製。

This document is issued by the Company subject to its General Conditions of Service printed overleaf, available on request or accessible at <http://www.sgs.com.tw/Terms-and-Conditions> and for electronic format documents, subject to Terms and Conditions for Electronic Documents at <http://www.sgs.com.tw/Terms-and-Conditions>. Attention is drawn to the limitation of liability, indemnification and jurisdiction issues defined therein. Any holder of this document is advised that information contained hereon reflects the Company's findings at the time of its intervention only and within the limits of Client's instructions, if any. The Company's sole responsibility is to its Client and this document does not exonerate parties to a transaction from exercising all their rights and obligations under the transaction documents. This document cannot be reproduced except in full, without prior written approval of the Company. Any unauthorized alteration, forgery or falsification of the content or appearance of this document is unlawful and offenders may be prosecuted to the fullest extent of the law.

LTE Band 26_FCC								
BW(MHz)	Modulation	RB Size	RB Offset	Conducted power (dBm)			Target Power + Max. Tolerance (dBm)	MPR Allowed per 3GPP(dB)
Frequency (MHz)				819	831.5	844		
Channel				26740	26865	26990		
10	QPSK	1	0	19.58	19.73	19.74	20.00	0
		1	25	19.47	19.66	19.78	20.00	0
		1	49	19.57	19.64	19.79	20.00	0
		25	0	18.70	18.63	18.86	19.00	1
		25	12	18.62	18.70	18.74	19.00	1
		25	25	18.68	18.56	18.70	19.00	1
10	16-QAM	50	0	18.51	18.70	18.83	19.00	1
		1	0	18.61	18.65	18.83	19.00	1
		1	25	18.62	18.67	18.84	19.00	1
		1	49	18.56	18.64	18.76	19.00	1
		25	0	17.72	17.62	17.84	18.00	2
		25	12	17.66	17.63	17.77	18.00	2
10	64-QAM	25	25	17.59	17.60	17.82	18.00	2
		50	0	17.51	17.68	17.81	18.00	2
		1	0	17.58	17.65	17.82	18.00	2
		1	25	17.59	17.65	17.78	18.00	2
		1	49	17.68	17.76	17.74	18.00	2
		25	0	16.51	16.62	16.78	17.00	3
10	256-QAM	25	12	16.67	16.59	16.80	17.00	3
		25	25	16.58	16.59	16.71	17.00	3
		50	0	16.51	16.63	16.83	17.00	3
		1	0	16.50	16.76	16.67	17.00	3
		1	25	16.57	16.65	16.73	17.00	3
		1	49	16.50	16.66	16.69	17.00	3
10	256-QAM	25	0	15.55	15.65	15.72	16.00	4
		25	12	15.64	15.59	15.74	16.00	4
		25	25	15.55	15.65	15.75	16.00	4
		50	0	15.55	15.61	15.74	16.00	4

LTE Band 26_FCC								
BW(MHz)	Modulation	RB Size	RB Offset	Conducted power (dBm)			Target Power + Max. Tolerance (dBm)	MPR Allowed per 3GPP(dB)
Frequency (MHz)				816.5	831.5	846.5		
Channel				26715	26865	27015		
5	QPSK	1	0	19.57	19.72	19.68	20.00	0
		1	12	19.61	19.59	19.79	20.00	0
		1	24	19.54	19.59	19.86	20.00	0
		12	0	18.65	18.71	18.67	19.00	1
		12	6	18.61	18.76	18.82	19.00	1
		12	13	18.46	18.67	18.80	19.00	1
5	16-QAM	25	0	18.73	18.52	18.80	19.00	1
		1	0	18.46	18.56	18.69	19.00	1
		1	12	18.54	18.60	18.84	19.00	1
		1	24	18.66	18.63	18.75	19.00	1
		12	0	17.62	17.50	17.84	18.00	2
		12	6	17.54	17.64	17.78	18.00	2
5	64-QAM	12	13	17.59	17.59	17.75	18.00	2
		25	0	17.64	17.62	17.83	18.00	2
		1	0	17.57	17.52	17.86	18.00	2
		1	12	17.57	17.73	17.76	18.00	2
		1	24	17.61	17.75	17.76	18.00	2
		12	0	16.58	16.67	16.66	17.00	3
5	256-QAM	12	6	16.53	16.76	16.75	17.00	3
		12	13	16.57	16.53	16.77	17.00	3
		25	0	16.56	16.53	16.76	17.00	3
		1	0	16.58	16.74	16.71	17.00	3
		1	12	16.52	16.72	16.79	17.00	3
		1	24	16.63	16.75	16.74	17.00	3
5	256-QAM	12	0	15.56	15.62	15.75	16.00	4
		12	6	15.66	15.62	15.78	16.00	4
		12	13	15.55	15.70	15.78	16.00	4
		25	0	15.62	15.68	15.73	16.00	4

Unless otherwise stated the results shown in this test report refer only to the sample(s) tested and such sample(s) are retained for 90 days only.

除非另有說明，此報告結果僅對測試之樣品負責，同時此樣品僅保留90天。本報告未經本公司書面許可，不可部份複製。

This document is issued by the Company subject to its General Conditions of Service printed overleaf, available on request or accessible at <http://www.sgs.com.tw/Terms-and-Conditions> and for electronic format documents, subject to Terms and Conditions for Electronic Documents at <http://www.sgs.com.tw/Terms-and-Conditions>. Attention is drawn to the limitation of liability, indemnification and jurisdiction issues defined therein. Any holder of this document is advised that information contained hereon reflects the Company's findings at the time of its intervention only and within the limits of Client's instructions, if any. The Company's sole responsibility is to its Client and this document does not exonerate parties to a transaction from exercising all their rights and obligations under the transaction documents. This document cannot be reproduced except in full, without prior written approval of the Company. Any unauthorized alteration, forgery or falsification of the content or appearance of this document is unlawful and offenders may be prosecuted to the fullest extent of the law.

LTE Band 26_FCC								
BW(MHz)	Modulation	RB Size	RB Offset	Conducted power (dBm)			Target Power + Max. Tolerance (dBm)	MPR Allowed per 3GPP(dB)
Frequency (MHz)				815.5	831.5	847.5		
Channel				26705	26865	27025		
3	QPSK	1	0	19.48	19.59	19.73	20.00	0
		1	7	19.70	19.64	19.76	20.00	0
		1	14	19.64	19.58	19.90	20.00	0
		8	0	18.68	18.64	18.81	19.00	1
		8	4	18.57	18.68	18.84	19.00	1
		8	7	18.60	18.65	18.86	19.00	1
3	16-QAM	15	0	18.58	18.68	18.69	19.00	1
		1	0	18.59	18.64	18.74	19.00	1
		1	7	18.47	18.51	18.73	19.00	1
		1	14	18.68	18.56	18.77	19.00	1
		8	0	17.61	17.53	17.85	18.00	2
		8	4	17.58	17.73	17.74	18.00	2
3	64-QAM	8	7	17.61	17.56	17.68	18.00	2
		15	0	17.48	17.78	17.71	18.00	2
		1	0	17.49	17.57	17.78	18.00	2
		1	7	17.63	17.67	17.77	18.00	2
		1	14	17.72	17.71	17.69	18.00	2
		8	0	16.51	16.68	16.66	17.00	3
3	256-QAM	8	4	16.60	16.67	16.78	17.00	3
		8	7	16.53	16.71	16.81	17.00	3
		15	0	16.61	16.63	16.80	17.00	3
		1	0	16.54	16.77	16.72	17.00	3
		1	7	16.49	16.71	16.70	17.00	3
		1	14	16.66	16.70	16.76	17.00	3
3	256-QAM	8	0	15.59	15.71	15.76	16.00	4
		8	4	15.48	15.62	15.74	16.00	4
		8	7	15.51	15.63	15.76	16.00	4
		15	0	15.56	15.68	15.81	16.00	4

LTE Band 26_FCC								
BW(MHz)	Modulation	RB Size	RB Offset	Conducted power (dBm)			Target Power + Max. Tolerance (dBm)	MPR Allowed per 3GPP(dB)
Frequency (MHz)				814.7	831.5	848.3		
Channel				26697	26865	27033		
1.4	QPSK	1	0	19.65	19.62	19.80	20.00	0
		1	2	19.57	19.69	19.64	20.00	0
		1	5	19.55	19.61	19.83	20.00	0
		3	0	19.60	19.69	19.74	20.00	0
		3	2	19.63	19.68	19.65	20.00	0
		3	3	19.57	19.56	19.85	20.00	0
1.4	16-QAM	6	0	18.70	18.57	18.86	19.00	1
		1	0	18.55	18.72	18.69	19.00	1
		1	2	18.56	18.73	18.68	19.00	1
		1	5	18.72	18.76	18.75	19.00	1
		3	0	18.66	18.64	18.78	19.00	1
		3	2	18.59	18.60	18.88	19.00	1
1.4	64-QAM	3	3	18.48	18.72	18.82	19.00	1
		6	0	17.60	17.67	17.77	18.00	2
		1	0	17.59	17.53	17.63	18.00	2
		1	2	17.53	17.63	17.71	18.00	2
		1	5	17.51	17.64	17.72	18.00	2
		3	0	17.53	17.66	17.78	18.00	2
1.4	256-QAM	3	2	17.57	17.66	17.75	18.00	2
		3	3	17.63	17.63	17.69	18.00	2
		6	0	16.60	16.58	16.83	17.00	3
		1	0	16.63	16.59	16.71	17.00	3
		1	2	16.49	16.63	16.79	17.00	3
		1	5	16.46	16.68	16.88	17.00	3
1.4	256-QAM	3	0	16.67	16.56	16.82	17.00	3
		3	2	16.62	16.60	16.73	17.00	3
		3	3	16.59	16.72	16.68	17.00	3
		6	0	15.67	15.62	15.73	16.00	4

Unless otherwise stated the results shown in this test report refer only to the sample(s) tested and such sample(s) are retained for 90 days only.

除非另有說明，此報告結果僅對測試之樣品負責，同時此樣品僅保留90天。本報告未經本公司書面許可，不可部份複製。

This document is issued by the Company subject to its General Conditions of Service printed overleaf, available on request or accessible at <http://www.sgs.com.tw/Terms-and-Conditions> and for electronic format documents, subject to Terms and Conditions for Electronic Documents at <http://www.sgs.com.tw/Terms-and-Conditions>. Attention is drawn to the limitation of liability, indemnification and jurisdiction issues defined therein. Any holder of this document is advised that information contained hereon reflects the Company's findings at the time of its intervention only and within the limits of Client's instructions, if any. The Company's sole responsibility is to its Client and this document does not exonerate parties to a transaction from exercising all their rights and obligations under the transaction documents. This document cannot be reproduced except in full, without prior written approval of the Company. Any unauthorized alteration, forgery or falsification of the content or appearance of this document is unlawful and offenders may be prosecuted to the fullest extent of the law.

LTE Band 66								
BW(MHz)	Modulation	RB Size	RB Offset	Conducted power (dBm)			Target Power + Max. Tolerance (dBm)	MPR Allowed per 3GPP(dB)
Frequency (MHz)				1720	1745	1770		
Channel				132072	132322	132572		
20	QPSK	1	0	19.69	19.75	19.77	20.00	0
		1	50	19.55	19.61	19.61	20.00	0
		1	99	19.50	19.59	19.58	20.00	0
		50	0	18.57	18.57	18.61	19.00	1
		50	25	18.52	18.66	18.51	19.00	1
		50	50	18.51	18.53	18.56	19.00	1
20	16-QAM	100	0	18.64	18.61	18.71	19.00	1
		1	0	18.53	18.55	18.61	19.00	1
		1	50	18.56	18.55	18.55	19.00	1
		1	99	18.52	18.63	18.52	19.00	1
		50	0	17.48	17.65	17.67	18.00	2
		50	25	17.58	17.70	17.68	18.00	2
20	64-QAM	50	50	17.56	17.65	17.60	18.00	2
		100	0	17.44	17.61	17.66	18.00	2
		1	0	17.48	17.58	17.67	18.00	2
		1	50	17.51	17.51	17.74	18.00	2
		1	99	17.50	17.60	17.60	18.00	2
		50	0	16.59	16.58	16.62	17.00	3
20	256-QAM	50	25	16.54	16.71	16.59	17.00	3
		50	50	16.56	16.69	16.62	17.00	3
		100	0	16.51	16.58	16.72	17.00	3
		1	0	16.45	16.56	16.63	17.00	3
		1	50	16.56	16.58	16.61	17.00	3
		1	99	16.54	16.56	16.60	17.00	3
20	256-QAM	50	0	15.49	15.65	15.61	16.00	4
		50	25	15.60	15.55	15.69	16.00	4
		50	50	15.39	15.68	15.54	16.00	4
		100	0	15.60	15.65	15.69	16.00	4

LTE Band 66								
BW(MHz)	Modulation	RB Size	RB Offset	Conducted power (dBm)			Target Power + Max. Tolerance (dBm)	MPR Allowed per 3GPP(dB)
Frequency (MHz)				1717.5	1745	1772.5		
Channel				132047	132322	132597		
15	QPSK	1	0	19.52	19.62	19.58	20.00	0
		1	36	19.50	19.58	19.66	20.00	0
		1	74	19.52	19.47	19.68	20.00	0
		36	0	18.51	18.70	18.51	19.00	1
		36	18	18.61	18.63	18.52	19.00	1
		36	37	18.53	18.50	18.57	19.00	1
		75	0	18.41	18.64	18.51	19.00	1
15	16-QAM	1	0	18.60	18.49	18.67	19.00	1
		1	36	18.58	18.68	18.57	19.00	1
		1	74	18.53	18.71	18.65	19.00	1
		36	0	17.57	17.60	17.70	18.00	2
		36	18	17.60	17.68	17.53	18.00	2
		36	37	17.43	17.60	17.70	18.00	2
15	64-QAM	75	0	17.59	17.65	17.56	18.00	2
		1	0	17.42	17.52	17.59	18.00	2
		1	36	17.44	17.59	17.49	18.00	2
		1	74	17.59	17.61	17.56	18.00	2
		36	0	16.51	16.60	16.58	17.00	3
		36	18	16.54	16.61	16.51	17.00	3
15	256-QAM	36	37	16.55	16.66	16.55	17.00	3
		75	0	16.49	16.69	16.57	17.00	3
		1	0	16.45	16.64	16.61	17.00	3
		1	36	16.47	16.58	16.54	17.00	3
		1	74	16.52	16.59	16.56	17.00	3
		36	0	15.58	15.56	15.51	16.00	4
15	256-QAM	36	18	15.44	15.67	15.65	16.00	4
		36	37	15.49	15.63	15.58	16.00	4
		75	0	15.56	15.59	15.61	16.00	4

Unless otherwise stated the results shown in this test report refer only to the sample(s) tested and such sample(s) are retained for 90 days only.

除非另有說明，此報告結果僅對測試之樣品負責，同時此樣品僅保留90天。本報告未經本公司書面許可，不可部份複製。

This document is issued by the Company subject to its General Conditions of Service printed overleaf, available on request or accessible at <http://www.sgs.com.tw/Terms-and-Conditions> and for electronic format documents, subject to Terms and Conditions for Electronic Documents at <http://www.sgs.com.tw/Terms-and-Conditions>. Attention is drawn to the limitation of liability, indemnification and jurisdiction issues defined therein. Any holder of this document is advised that information contained hereon reflects the Company's findings at the time of its intervention only and within the limits of Client's instructions, if any. The Company's sole responsibility is to its Client and this document does not exonerate parties to a transaction from exercising all their rights and obligations under the transaction documents. This document cannot be reproduced except in full, without prior written approval of the Company. Any unauthorized alteration, forgery or falsification of the content or appearance of this document is unlawful and offenders may be prosecuted to the fullest extent of the law.

LTE Band 66										
BW(MHz)	Modulation	RB Size	RB Offset	Conducted power (dBm)			Target Power + Max. Tolerance (dBm)	MPR Allowed per 3GPP(dB)		
Frequency (MHz)				1715	1745	1775				
Channel				132022	132322	132622				
10	QPSK	1	0	19.47	19.64	19.62	20.00	0		
		1	25	19.54	19.59	19.56	20.00	0		
		1	49	19.61	19.59	19.52	20.00	0		
		25	0	18.48	18.48	18.49	19.00	1		
		25	12	18.51	18.50	18.65	19.00	1		
		25	25	18.56	18.61	18.58	19.00	1		
10	16-QAM	50	0	18.45	18.66	18.72	19.00	1		
		1	0	18.63	18.55	18.56	19.00	1		
		1	25	18.54	18.57	18.64	19.00	1		
		1	49	18.39	18.59	18.66	19.00	1		
		25	0	17.53	17.52	17.51	18.00	2		
		25	12	17.54	17.45	17.56	18.00	2		
10	64-QAM	25	25	17.45	17.68	17.58	18.00	2		
		50	0	17.61	17.61	17.59	18.00	2		
		1	0	17.47	17.61	17.58	18.00	2		
		1	25	17.48	17.45	17.62	18.00	2		
		1	49	17.61	17.50	17.65	18.00	2		
		25	0	16.56	16.62	16.61	17.00	3		
10	256-QAM	25	12	16.47	16.60	16.69	17.00	3		
		25	25	16.58	16.63	16.57	17.00	3		
		50	0	16.49	16.70	16.52	17.00	3		
		1	0	16.59	16.60	16.56	17.00	3		
		1	25	16.59	16.58	16.58	17.00	3		
		1	49	16.59	16.52	16.60	17.00	3		
10	256-QAM	25	0	15.62	15.62	15.57	16.00	4		
		25	12	15.66	15.64	15.58	16.00	4		
		25	25	15.48	15.61	15.56	16.00	4		
		50	0	15.54	15.64	15.57	16.00	4		
		LTE Band 66								
		BW(MHz)	Modulation	RB Size	RB Offset	Conducted power (dBm)			Target Power + Max. Tolerance (dBm)	MPR Allowed per 3GPP(dB)
Frequency (MHz)				1712.5	1745	1777.5				
Channel				131997	132322	132647				
5	QPSK	1	0	19.64	19.53	19.57	20.00	0		
		1	12	19.55	19.66	19.69	20.00	0		
		1	24	19.48	19.61	19.61	20.00	0		
		12	0	18.52	18.64	18.61	19.00	1		
		12	6	18.44	18.63	18.56	19.00	1		
		12	13	18.56	18.60	18.53	19.00	1		
5	16-QAM	25	0	18.52	18.71	18.71	19.00	1		
		1	0	18.57	18.55	18.58	19.00	1		
		1	12	18.51	18.57	18.61	19.00	1		
		1	24	18.47	18.54	18.67	19.00	1		
		12	0	17.44	17.57	17.56	18.00	2		
		12	6	17.55	17.54	17.67	18.00	2		
5	64-QAM	12	13	17.56	17.70	17.67	18.00	2		
		25	0	17.48	17.63	17.66	18.00	2		
		1	0	17.66	17.60	17.67	18.00	2		
		1	12	17.62	17.58	17.54	18.00	2		
		1	24	17.55	17.55	17.62	18.00	2		
		12	0	16.58	16.59	16.61	17.00	3		
5	256-QAM	12	6	16.46	16.53	16.70	17.00	3		
		12	13	16.59	16.62	16.66	17.00	3		
		25	0	16.64	16.68	16.53	17.00	3		
		1	0	16.55	16.60	16.59	17.00	3		
		1	12	16.61	16.56	16.53	17.00	3		
		1	24	16.59	16.61	16.50	17.00	3		
5	256-QAM	12	0	15.51	15.63	15.51	16.00	4		
		12	6	15.46	15.69	15.65	16.00	4		
		12	13	15.48	15.56	15.67	16.00	4		
		25	0	15.49	15.57	15.55	16.00	4		

Unless otherwise stated the results shown in this test report refer only to the sample(s) tested and such sample(s) are retained for 90 days only.

除非另有說明，此報告結果僅對測試之樣品負責，同時此樣品僅保留90天。本報告未經本公司書面許可，不可部份複製。

This document is issued by the Company subject to its General Conditions of Service printed overleaf, available on request or accessible at <http://www.sgs.com.tw/Terms-and-Conditions> and for electronic format documents, subject to Terms and Conditions for Electronic Documents at <http://www.sgs.com.tw/Terms-and-Conditions>. Attention is drawn to the limitation of liability, indemnification and jurisdiction issues defined therein. Any holder of this document is advised that information contained hereon reflects the Company's findings at the time of its intervention only and within the limits of Client's instructions, if any. The Company's sole responsibility is to its Client and this document does not exonerate parties to a transaction from exercising all their rights and obligations under the transaction documents. This document cannot be reproduced except in full, without prior written approval of the Company. Any unauthorized alteration, forgery or falsification of the content or appearance of this document is unlawful and offenders may be prosecuted to the fullest extent of the law.

LTE Band 66								
BW(MHz)	Modulation	RB Size	RB Offset	Conducted power (dBm)			Target Power + Max. Tolerance (dBm)	MPR Allowed per 3GPP(dB)
Frequency (MHz)				1711.5	1745	1778.5		
Channel				131987	132322	132657		
3	QPSK	1	0	19.52	19.57	19.57	20.00	0
		1	7	19.52	19.59	19.66	20.00	0
		1	14	19.61	19.61	19.68	20.00	0
		8	0	18.54	18.71	18.55	19.00	1
		8	4	18.42	18.55	18.66	19.00	1
		8	7	18.61	18.54	18.55	19.00	1
3	16-QAM	15	0	18.59	18.53	18.69	19.00	1
		1	0	18.57	18.57	18.59	19.00	1
		1	7	18.51	18.48	18.61	19.00	1
		1	14	18.59	18.59	18.60	19.00	1
		8	0	17.44	17.50	17.68	18.00	2
		8	4	17.63	17.54	17.70	18.00	2
3	64-QAM	8	7	17.43	17.57	17.58	18.00	2
		15	0	17.49	17.52	17.71	18.00	2
		1	0	17.52	17.59	17.62	18.00	2
		1	7	17.53	17.56	17.63	18.00	2
		1	14	17.54	17.58	17.59	18.00	2
		8	0	16.53	16.59	16.53	17.00	3
3	256-QAM	8	4	16.62	16.57	16.48	17.00	3
		8	7	16.48	16.55	16.56	17.00	3
		15	0	16.58	16.57	16.64	17.00	3
		1	0	16.52	16.51	16.68	17.00	3
		1	7	16.61	16.63	16.56	17.00	3
		1	14	16.57	16.56	16.50	17.00	3
3	256-QAM	8	0	15.59	15.64	15.64	16.00	4
		8	4	15.43	15.55	15.69	16.00	4
		8	7	15.52	15.73	15.54	16.00	4
		15	0	15.45	15.49	15.58	16.00	4

LTE Band 66								
BW(MHz)	Modulation	RB Size	RB Offset	Conducted power (dBm)			Target Power + Max. Tolerance (dBm)	MPR Allowed per 3GPP(dB)
Frequency (MHz)				1710.7	1745	1779.3		
Channel				131979	132322	132665		
1.4	QPSK	1	0	19.63	19.71	19.64	20.00	0
		1	2	19.55	19.56	19.65	20.00	0
		1	5	19.55	19.61	19.65	20.00	0
		3	0	19.63	19.71	19.62	20.00	0
		3	2	19.49	19.71	19.62	20.00	0
		3	3	19.52	19.66	19.66	20.00	0
		6	0	18.59	18.55	18.71	19.00	1
1.4	16-QAM	1	0	18.61	18.71	18.54	19.00	1
		1	2	18.47	18.63	18.64	19.00	1
		1	5	18.44	18.57	18.61	19.00	1
		3	0	18.42	18.62	18.60	19.00	1
		3	2	18.48	18.58	18.74	19.00	1
		3	3	18.53	18.60	18.62	19.00	1
1.4	64-QAM	6	0	17.60	17.55	17.58	18.00	2
		1	0	17.65	17.65	17.50	18.00	2
		1	2	17.58	17.58	17.62	18.00	2
		1	5	17.47	17.62	17.60	18.00	2
		3	0	17.63	17.54	17.59	18.00	2
		3	2	17.45	17.60	17.60	18.00	2
1.4	256-QAM	3	3	17.58	17.66	17.64	18.00	2
		6	0	16.61	16.50	16.70	17.00	3
		1	0	16.48	16.59	16.63	17.00	3
		1	2	16.52	16.56	16.58	17.00	3
		1	5	16.51	16.53	16.65	17.00	3
		3	0	16.45	16.59	16.71	17.00	3
		3	2	16.61	16.55	16.59	17.00	3
1.4	256-QAM	3	3	16.55	16.62	16.67	17.00	3
		6	0	15.45	15.63	15.62	16.00	4

Unless otherwise stated the results shown in this test report refer only to the sample(s) tested and such sample(s) are retained for 90 days only.

除非另有說明，此報告結果僅對測試之樣品負責，同時此樣品僅保留90天。本報告未經本公司書面許可，不可部份複製。

This document is issued by the Company subject to its General Conditions of Service printed overleaf, available on request or accessible at <http://www.sgs.com.tw/Terms-and-Conditions> and for electronic format documents, subject to Terms and Conditions for Electronic Documents at <http://www.sgs.com.tw/Terms-and-Conditions>. Attention is drawn to the limitation of liability, indemnification and jurisdiction issues defined therein. Any holder of this document is advised that information contained hereon reflects the Company's findings at the time of its intervention only and within the limits of Client's instructions, if any. The Company's sole responsibility is to its Client and this document does not exonerate parties to a transaction from exercising all their rights and obligations under the transaction documents. This document cannot be reproduced except in full, without prior written approval of the Company. Any unauthorized alteration, forgery or falsification of the content or appearance of this document is unlawful and offenders may be prosecuted to the fullest extent of the law.

LTE Band 4								
BW(MHz)	Modulation	RB Size	RB Offset	Conducted power (dBm)			Target Power + Max. Tolerance (dBm)	MPR Allowed per 3GPP(dB)
Frequency (MHz)				1720	1732.5	1745		
Channel				20050	20175	20300		
20	QPSK	1	0	19.74	19.58	19.69	20.00	0
		1	50	19.62	19.47	19.57	20.00	0
		1	99	19.64	19.40	19.55	20.00	0
		50	0	18.66	18.46	18.58	19.00	1
		50	25	18.52	18.45	18.59	19.00	1
		50	50	18.58	18.40	18.53	19.00	1
20	16-QAM	100	0	18.46	18.52	18.49	19.00	1
		1	0	18.53	18.44	18.57	19.00	1
		1	50	18.58	18.41	18.49	19.00	1
		1	99	18.51	18.35	18.55	19.00	1
		50	0	17.62	17.40	17.42	18.00	2
		50	25	17.47	17.46	17.56	18.00	2
20	64-QAM	50	50	17.69	17.34	17.46	18.00	2
		100	0	17.60	17.31	17.50	18.00	2
		1	0	17.59	17.45	17.44	18.00	2
		1	50	17.68	17.47	17.54	18.00	2
		1	99	17.60	17.43	17.55	18.00	2
		50	0	16.60	16.36	16.42	17.00	3
20	256-QAM	50	25	16.51	16.45	16.50	17.00	3
		50	50	16.50	16.54	16.61	17.00	3
		100	0	16.54	16.50	16.43	17.00	3
		1	0	16.68	16.37	16.48	17.00	3
		1	50	16.56	16.34	16.50	17.00	3
		1	99	16.60	16.32	16.60	17.00	3
20	256-QAM	50	0	15.66	15.45	15.45	16.00	4
		50	25	15.45	15.38	15.58	16.00	4
		50	50	15.69	15.39	15.55	16.00	4
		100	0	15.67	15.43	15.56	16.00	4

LTE Band 4								
BW(MHz)	Modulation	RB Size	RB Offset	Conducted power (dBm)			Target Power + Max. Tolerance (dBm)	MPR Allowed per 3GPP(dB)
Frequency (MHz)				1717.5	1732.5	1747.5		
Channel				20025	20175	20325		
15	QPSK	1	0	19.55	19.56	19.43	20.00	0
		1	36	19.55	19.36	19.49	20.00	0
		1	74	19.54	19.43	19.60	20.00	0
		36	0	18.62	18.37	18.58	19.00	1
		36	18	18.49	18.37	18.60	19.00	1
		36	37	18.51	18.39	18.43	19.00	1
15	16-QAM	75	0	18.64	18.52	18.51	19.00	1
		1	0	18.61	18.40	18.43	19.00	1
		1	36	18.68	18.42	18.57	19.00	1
		1	74	18.57	18.36	18.66	19.00	1
		36	0	17.48	17.43	17.46	18.00	2
		36	18	17.53	17.35	17.60	18.00	2
15	64-QAM	36	37	17.55	17.45	17.52	18.00	2
		75	0	17.68	17.40	17.52	18.00	2
		1	0	17.53	17.42	17.41	18.00	2
		1	36	17.59	17.46	17.41	18.00	2
		1	74	17.52	17.46	17.60	18.00	2
		36	0	16.63	16.33	16.50	17.00	3
15	256-QAM	36	18	16.66	16.30	16.50	17.00	3
		36	37	16.54	16.51	16.47	17.00	3
		75	0	16.56	16.31	16.46	17.00	3
		1	0	16.50	16.45	16.62	17.00	3
		1	36	16.64	16.53	16.52	17.00	3
		1	74	16.65	16.50	16.43	17.00	3
15	256-QAM	36	0	15.52	15.36	15.57	16.00	4
		36	18	15.53	15.36	15.46	16.00	4
		36	37	15.57	15.50	15.60	16.00	4
		75	0	15.63	15.46	15.56	16.00	4

Unless otherwise stated the results shown in this test report refer only to the sample(s) tested and such sample(s) are retained for 90 days only.

除非另有說明，此報告結果僅對測試之樣品負責，同時此樣品僅保留90天。本報告未經本公司書面許可，不可部份複製。

This document is issued by the Company subject to its General Conditions of Service printed overleaf, available on request or accessible at <http://www.sgs.com.tw/Terms-and-Conditions> and for electronic format documents, subject to Terms and Conditions for Electronic Documents at <http://www.sgs.com.tw/Terms-and-Conditions>. Attention is drawn to the limitation of liability, indemnification and jurisdiction issues defined therein. Any holder of this document is advised that information contained hereon reflects the Company's findings at the time of its intervention only and within the limits of Client's instructions, if any. The Company's sole responsibility is to its Client and this document does not exonerate parties to a transaction from exercising all their rights and obligations under the transaction documents. This document cannot be reproduced except in full, without prior written approval of the Company. Any unauthorized alteration, forgery or falsification of the content or appearance of this document is unlawful and offenders may be prosecuted to the fullest extent of the law.

LTE Band 4								
BW(MHz)	Modulation	RB Size	RB Offset	Conducted power (dBm)			Target Power + Max. Tolerance (dBm)	MPR Allowed per 3GPP(dB)
Frequency (MHz)				1715	1732.5	1750		
Channel				20000	20175	20350		
10	QPSK	1	0	19.62	19.51	19.53	20.00	0
		1	25	19.66	19.28	19.63	20.00	0
		1	49	19.58	19.36	19.57	20.00	0
		25	0	18.61	18.38	18.48	19.00	1
		25	12	18.61	18.41	18.55	19.00	1
		25	25	18.62	18.34	18.46	19.00	1
		50	0	18.52	18.45	18.55	19.00	1
10	16-QAM	1	0	18.56	18.48	18.44	19.00	1
		1	25	18.69	18.42	18.46	19.00	1
		1	49	18.51	18.42	18.44	19.00	1
		25	0	17.60	17.41	17.53	18.00	2
		25	12	17.56	17.49	17.49	18.00	2
		25	25	17.53	17.47	17.52	18.00	2
		50	0	17.57	17.43	17.51	18.00	2
10	64-QAM	1	0	17.54	17.30	17.57	18.00	2
		1	25	17.65	17.31	17.45	18.00	2
		1	49	17.49	17.50	17.45	18.00	2
		25	0	16.60	16.48	16.56	17.00	3
		25	12	16.62	16.48	16.55	17.00	3
		25	25	16.48	16.38	16.50	17.00	3
		50	0	16.61	16.33	16.43	17.00	3
10	256-QAM	1	0	16.52	16.36	16.48	17.00	3
		1	25	16.56	16.34	16.62	17.00	3
		1	49	16.56	16.50	16.53	17.00	3
		25	0	15.61	15.49	15.53	16.00	4
		25	12	15.62	15.48	15.64	16.00	4
		25	25	15.57	15.35	15.46	16.00	4
		50	0	15.48	15.38	15.44	16.00	4
LTE Band 4								
BW(MHz)	Modulation	RB Size	RB Offset	Conducted power (dBm)			Target Power + Max. Tolerance (dBm)	MPR Allowed per 3GPP(dB)
Frequency (MHz)				1712.5	1732.5	1752.5		
Channel				19975	20175	20375		
5	QPSK	1	0	19.55	19.37	19.53	20.00	0
		1	12	19.64	19.47	19.44	20.00	0
		1	24	19.52	19.56	19.52	20.00	0
		12	0	18.62	18.36	18.49	19.00	1
		12	6	18.55	18.37	18.42	19.00	1
		12	13	18.69	18.51	18.60	19.00	1
		25	0	18.44	18.49	18.53	19.00	1
5	16-QAM	1	0	18.58	18.31	18.53	19.00	1
		1	12	18.61	18.47	18.54	19.00	1
		1	24	18.47	18.47	18.49	19.00	1
		12	0	17.52	17.49	17.43	18.00	2
		12	6	17.48	17.47	17.58	18.00	2
		12	13	17.46	17.50	17.51	18.00	2
		25	0	17.67	17.45	17.55	18.00	2
5	64-QAM	1	0	17.63	17.31	17.58	18.00	2
		1	12	17.61	17.35	17.43	18.00	2
		1	24	17.59	17.48	17.58	18.00	2
		12	0	16.51	16.41	16.60	17.00	3
		12	6	16.66	16.33	16.52	17.00	3
		12	13	16.68	16.36	16.54	17.00	3
		25	0	16.49	16.40	16.48	17.00	3
5	256-QAM	1	0	16.55	16.48	16.51	17.00	3
		1	12	16.58	16.46	16.64	17.00	3
		1	24	16.48	16.29	16.56	17.00	3
		12	0	15.62	15.38	15.45	16.00	4
		12	6	15.65	15.50	15.60	16.00	4
		12	13	15.56	15.40	15.48	16.00	4
		25	0	15.67	15.52	15.49	16.00	4

Unless otherwise stated the results shown in this test report refer only to the sample(s) tested and such sample(s) are retained for 90 days only.

除非另有說明，此報告結果僅對測試之樣品負責，同時此樣品僅保留90天。本報告未經本公司書面許可，不可部份複製。

This document is issued by the Company subject to its General Conditions of Service printed overleaf, available on request or accessible at <http://www.sgs.com.tw/Terms-and-Conditions> and for electronic format documents, subject to Terms and Conditions for Electronic Documents at <http://www.sgs.com.tw/Terms-and-Conditions>. Attention is drawn to the limitation of liability, indemnification and jurisdiction issues defined therein. Any holder of this document is advised that information contained hereon reflects the Company's findings at the time of its intervention only and within the limits of Client's instructions, if any. The Company's sole responsibility is to its Client and this document does not exonerate parties to a transaction from exercising all their rights and obligations under the transaction documents. This document cannot be reproduced except in full, without prior written approval of the Company. Any unauthorized alteration, forgery or falsification of the content or appearance of this document is unlawful and offenders may be prosecuted to the fullest extent of the law.

LTE Band 4								
BW(MHz)	Modulation	RB Size	RB Offset	Conducted power (dBm)			Target Power + Max. Tolerance (dBm)	MPR Allowed per 3GPP(dB)
Frequency (MHz)				1711.5	1732.5	1753.5		
Channel				19965	20175	20385		
3	QPSK	1	0	19.56	19.30	19.48	20.00	0
		1	7	19.54	19.51	19.63	20.00	0
		1	14	19.68	19.48	19.57	20.00	0
		8	0	18.65	18.45	18.50	19.00	1
		8	4	18.62	18.40	18.48	19.00	1
		8	7	18.55	18.41	18.56	19.00	1
3	16-QAM	15	0	18.61	18.35	18.53	19.00	1
		1	0	18.55	18.46	18.50	19.00	1
		1	7	18.67	18.48	18.44	19.00	1
		1	14	18.58	18.36	18.59	19.00	1
		8	0	17.68	17.41	17.57	18.00	2
		8	4	17.59	17.40	17.61	18.00	2
3	64-QAM	8	7	17.51	17.52	17.53	18.00	2
		15	0	17.58	17.47	17.48	18.00	2
		1	0	17.52	17.47	17.50	18.00	2
		1	7	17.49	17.43	17.48	18.00	2
		1	14	17.65	17.37	17.61	18.00	2
		8	0	16.64	16.42	16.55	17.00	3
3	256-QAM	8	4	16.62	16.41	16.46	17.00	3
		8	7	16.57	16.34	16.45	17.00	3
		15	0	16.60	16.47	16.60	17.00	3
		1	0	16.56	16.47	16.55	17.00	3
		1	7	16.65	16.48	16.46	17.00	3
		1	14	16.59	16.51	16.47	17.00	3
3	256-QAM	8	0	15.53	15.32	15.56	16.00	4
		8	4	15.61	15.42	15.56	16.00	4
		8	7	15.64	15.43	15.45	16.00	4
		15	0	15.64	15.42	15.55	16.00	4

LTE Band 4								
BW(MHz)	Modulation	RB Size	RB Offset	Conducted power (dBm)			Target Power + Max. Tolerance (dBm)	MPR Allowed per 3GPP(dB)
Frequency (MHz)				1710.7	1732.5	1754.3		
Channel				19957	20175	20393		
1.4	QPSK	1	0	19.66	19.34	19.43	20.00	0
		1	2	19.54	19.34	19.53	20.00	0
		1	5	19.58	19.41	19.47	20.00	0
		3	0	19.61	19.45	19.48	20.00	0
		3	2	19.69	19.37	19.51	20.00	0
		3	3	19.56	19.45	19.49	20.00	0
		6	0	18.56	18.43	18.58	19.00	1
1.4	16-QAM	1	0	18.61	18.42	18.51	19.00	1
		1	2	18.55	18.29	18.55	19.00	1
		1	5	18.62	18.32	18.48	19.00	1
		3	0	18.58	18.46	18.49	19.00	1
		3	2	18.64	18.35	18.54	19.00	1
		3	3	18.52	18.43	18.59	19.00	1
1.4	64-QAM	6	0	17.56	17.49	17.60	18.00	2
		1	0	17.49	17.49	17.58	18.00	2
		1	2	17.61	17.35	17.50	18.00	2
		1	5	17.51	17.37	17.47	18.00	2
		3	0	17.61	17.39	17.57	18.00	2
		3	2	17.60	17.45	17.46	18.00	2
1.4	256-QAM	3	3	17.58	17.45	17.49	18.00	2
		6	0	16.59	16.35	16.47	17.00	3
		1	0	16.56	16.33	16.62	17.00	3
		1	2	16.58	16.40	16.51	17.00	3
		1	5	16.58	16.43	16.56	17.00	3
		3	0	16.47	16.36	16.40	17.00	3
		3	2	16.57	16.52	16.52	17.00	3
1.4	256-QAM	3	3	16.51	16.43	16.51	17.00	3
		6	0	15.67	15.41	15.64	16.00	4

Unless otherwise stated the results shown in this test report refer only to the sample(s) tested and such sample(s) are retained for 90 days only.

除非另有說明，此報告結果僅對測試之樣品負責，同時此樣品僅保留90天。本報告未經本公司書面許可，不可部份複製。

This document is issued by the Company subject to its General Conditions of Service printed overleaf, available on request or accessible at <http://www.sgs.com.tw/Terms-and-Conditions> and for electronic format documents, subject to Terms and Conditions for Electronic Documents at <http://www.sgs.com.tw/Terms-and-Conditions>. Attention is drawn to the limitation of liability, indemnification and jurisdiction issues defined therein. Any holder of this document is advised that information contained hereon reflects the Company's findings at the time of its intervention only and within the limits of Client's instructions, if any. The Company's sole responsibility is to its Client and this document does not exonerate parties to a transaction from exercising all their rights and obligations under the transaction documents. This document cannot be reproduced except in full, without prior written approval of the Company. Any unauthorized alteration, forgery or falsification of the content or appearance of this document is unlawful and offenders may be prosecuted to the fullest extent of the law.

LTE Band 5								
BW(MHz)	Modulation	RB Size	RB Offset	Conducted power (dBm)			Target Power + Max. Tolerance (dBm)	MPR Allowed per 3GPP(dB)
Frequency (MHz)				829	836.5	844		
Channel				20450	20525	20600		
10	QPSK	1	0	19.88	19.81	19.73	20.00	0
		1	25	19.68	19.63	19.61	20.00	0
		1	49	19.70	19.57	19.56	20.00	0
		25	0	18.69	18.64	18.58	19.00	1
		25	12	18.73	18.76	18.52	19.00	1
		25	25	18.74	18.63	18.56	19.00	1
		50	0	18.84	18.56	18.68	19.00	1
10	16-QAM	1	0	18.71	18.75	18.49	19.00	1
		1	25	18.79	18.68	18.54	19.00	1
		1	49	18.74	18.65	18.66	19.00	1
		25	0	17.66	17.56	17.59	18.00	2
		25	12	17.68	17.73	17.48	18.00	2
		25	25	17.71	17.67	17.62	18.00	2
		50	0	17.77	17.73	17.56	18.00	2
10	64-QAM	1	0	17.70	17.56	17.55	18.00	2
		1	25	17.65	17.68	17.48	18.00	2
		1	49	17.64	17.57	17.66	18.00	2
		25	0	16.62	16.63	16.53	17.00	3
		25	12	16.66	16.59	16.65	17.00	3
		25	25	16.77	16.60	16.56	17.00	3
		50	0	16.72	16.60	16.46	17.00	3
10	256-QAM	1	0	16.64	16.62	16.65	17.00	3
		1	25	16.67	16.58	16.63	17.00	3
		1	49	16.64	16.67	16.64	17.00	3
		25	0	15.84	15.71	15.54	16.00	4
		25	12	15.79	15.60	15.53	16.00	4
		25	25	15.72	15.61	15.53	16.00	4
		50	0	15.78	15.65	15.51	16.00	4
LTE Band 5								
BW(MHz)	Modulation	RB Size	RB Offset	Conducted power (dBm)			Target Power + Max. Tolerance (dBm)	MPR Allowed per 3GPP(dB)
Frequency (MHz)				826.5	836.5	846.5		
Channel				20425	20525	20625		
5	QPSK	1	0	19.63	19.61	19.51	20.00	0
		1	12	19.76	19.60	19.57	20.00	0
		1	24	19.73	19.64	19.60	20.00	0
		12	0	18.77	18.66	18.56	19.00	1
		12	6	18.67	18.67	18.61	19.00	1
		12	13	18.75	18.61	18.66	19.00	1
		25	0	18.73	18.71	18.54	19.00	1
5	16-QAM	1	0	18.70	18.74	18.54	19.00	1
		1	12	18.69	18.65	18.60	19.00	1
		1	24	18.64	18.61	18.57	19.00	1
		12	0	17.67	17.69	17.61	18.00	2
		12	6	17.61	17.62	17.66	18.00	2
		12	13	17.73	17.60	17.54	18.00	2
		25	0	17.82	17.64	17.53	18.00	2
5	64-QAM	1	0	17.73	17.64	17.54	18.00	2
		1	12	17.72	17.53	17.57	18.00	2
		1	24	17.73	17.62	17.56	18.00	2
		12	0	16.76	16.60	16.59	17.00	3
		12	6	16.71	16.73	16.62	17.00	3
		12	13	16.74	16.56	16.54	17.00	3
		25	0	16.76	16.65	16.63	17.00	3
5	256-QAM	1	0	16.62	16.71	16.58	17.00	3
		1	12	16.70	16.71	16.57	17.00	3
		1	24	16.69	16.64	16.52	17.00	3
		12	0	15.77	15.60	15.56	16.00	4
		12	6	15.65	15.65	15.52	16.00	4
		12	13	15.66	15.79	15.58	16.00	4
		25	0	15.68	15.62	15.50	16.00	4

Unless otherwise stated the results shown in this test report refer only to the sample(s) tested and such sample(s) are retained for 90 days only.

除非另有說明，此報告結果僅對測試之樣品負責，同時此樣品僅保留90天。本報告未經本公司書面許可，不可部份複製。

This document is issued by the Company subject to its General Conditions of Service printed overleaf, available on request or accessible at <http://www.sgs.com.tw/Terms-and-Conditions> and for electronic format documents, subject to Terms and Conditions for Electronic Documents at <http://www.sgs.com.tw/Terms-and-Conditions>. Attention is drawn to the limitation of liability, indemnification and jurisdiction issues defined therein. Any holder of this document is advised that information contained hereon reflects the Company's findings at the time of its intervention only and within the limits of Client's instructions, if any. The Company's sole responsibility is to its Client and this document does not exonerate parties to a transaction from exercising all their rights and obligations under the transaction documents. This document cannot be reproduced except in full, without prior written approval of the Company. Any unauthorized alteration, forgery or falsification of the content or appearance of this document is unlawful and offenders may be prosecuted to the fullest extent of the law.

LTE Band 5								
BW(MHz)	Modulation	RB Size	RB Offset	Conducted power (dBm)			Target Power + Max. Tolerance (dBm)	MPR Allowed per 3GPP(dB)
Frequency (MHz)				825.5	836.5	847.5		
Channel				20415	20525	20635		
3	QPSK	1	0	19.84	19.57	19.51	20.00	0
		1	7	19.81	19.58	19.55	20.00	0
		1	14	19.59	19.62	19.65	20.00	0
		8	0	18.70	18.73	18.65	19.00	1
		8	4	18.64	18.63	18.49	19.00	1
		8	7	18.79	18.57	18.52	19.00	1
3	16-QAM	15	0	18.79	18.74	18.63	19.00	1
		1	0	18.75	18.72	18.66	19.00	1
		1	7	18.67	18.60	18.70	19.00	1
		1	14	18.74	18.70	18.51	19.00	1
		8	0	17.72	17.76	17.59	18.00	2
		8	4	17.64	17.74	17.64	18.00	2
3	64-QAM	8	7	17.74	17.70	17.63	18.00	2
		15	0	17.75	17.68	17.64	18.00	2
		1	0	17.78	17.65	17.52	18.00	2
		1	7	17.64	17.66	17.48	18.00	2
		1	14	17.69	17.64	17.43	18.00	2
		8	0	16.72	16.71	16.53	17.00	3
3	256-QAM	8	4	16.73	16.65	16.60	17.00	3
		8	7	16.73	16.72	16.54	17.00	3
		15	0	16.64	16.65	16.56	17.00	3
		1	0	16.66	16.69	16.47	17.00	3
		1	7	16.78	16.59	16.67	17.00	3
		1	14	16.85	16.58	16.59	17.00	3
3	256-QAM	8	0	15.77	15.55	15.62	16.00	4
		8	4	15.83	15.65	15.57	16.00	4
		8	7	15.83	15.71	15.60	16.00	4
		15	0	15.80	15.64	15.61	16.00	4

LTE Band 5								
BW(MHz)	Modulation	RB Size	RB Offset	Conducted power (dBm)			Target Power + Max. Tolerance (dBm)	MPR Allowed per 3GPP(dB)
Frequency (MHz)				824.7	836.5	848.3		
Channel				20407	20525	20643		
1.4	QPSK	1	0	19.63	19.63	19.46	20.00	0
		1	2	19.75	19.67	19.50	20.00	0
		1	5	19.76	19.68	19.50	20.00	0
		3	0	19.72	19.65	19.66	20.00	0
		3	2	19.76	19.66	19.54	20.00	0
		3	3	19.64	19.64	19.56	20.00	0
		6	0	18.82	18.66	18.58	19.00	1
1.4	16-QAM	1	0	18.76	18.59	18.57	19.00	1
		1	2	18.66	18.66	18.50	19.00	1
		1	5	18.82	18.64	18.51	19.00	1
		3	0	18.68	18.65	18.53	19.00	1
		3	2	18.67	18.70	18.66	19.00	1
		3	3	18.69	18.67	18.69	19.00	1
1.4	64-QAM	6	0	17.63	17.72	17.58	18.00	2
		1	0	17.80	17.67	17.46	18.00	2
		1	2	17.82	17.77	17.64	18.00	2
		1	5	17.63	17.57	17.58	18.00	2
		3	0	17.70	17.53	17.59	18.00	2
		3	2	17.80	17.71	17.54	18.00	2
1.4	256-QAM	3	3	17.70	17.61	17.49	18.00	2
		6	0	16.73	16.69	16.54	17.00	3
		1	0	16.74	16.70	16.66	17.00	3
		1	2	16.77	16.66	16.54	17.00	3
		1	5	16.77	16.62	16.49	17.00	3
		3	0	16.85	16.65	16.61	17.00	3
1.4	256-QAM	3	2	16.69	16.69	16.52	17.00	3
		3	3	16.76	16.64	16.67	17.00	3
		6	0	15.65	15.67	15.49	16.00	4

Unless otherwise stated the results shown in this test report refer only to the sample(s) tested and such sample(s) are retained for 90 days only.

除非另有說明，此報告結果僅對測試之樣品負責，同時此樣品僅保留90天。本報告未經本公司書面許可，不可部份複製。

This document is issued by the Company subject to its General Conditions of Service printed overleaf, available on request or accessible at <http://www.sgs.com.tw/Terms-and-Conditions> and for electronic format documents, subject to Terms and Conditions for Electronic Documents at <http://www.sgs.com.tw/Terms-and-Conditions>. Attention is drawn to the limitation of liability, indemnification and jurisdiction issues defined therein. Any holder of this document is advised that information contained hereon reflects the Company's findings at the time of its intervention only and within the limits of Client's instructions, if any. The Company's sole responsibility is to its Client and this document does not exonerate parties to a transaction from exercising all their rights and obligations under the transaction documents. This document cannot be reproduced except in full, without prior written approval of the Company. Any unauthorized alteration, forgery or falsification of the content or appearance of this document is unlawful and offenders may be prosecuted to the fullest extent of the law.

LTE Band 7								
BW(MHz)	Modulation	RB Size	RB Offset	Conducted power (dBm)			Target Power + Max. Tolerance (dBm)	MPR Allowed per 3GPP(dB)
Frequency (MHz)				2510	2535	2560		
Channel				20850	21100	21350		
20	QPSK	1	0	17.53	17.69	17.62	18.00	0
		1	50	17.30	17.48	17.36	18.00	0
		1	99	17.30	17.62	17.38	18.00	0
		50	0	16.40	16.48	16.37	17.00	1
		50	25	16.40	16.54	16.43	17.00	1
		50	50	16.32	16.58	16.47	17.00	1
20	16-QAM	100	0	16.43	16.61	16.55	17.00	1
		1	0	16.32	16.53	16.37	17.00	1
		1	50	16.31	16.45	16.42	17.00	1
		1	99	16.44	16.50	16.56	17.00	1
		50	0	15.43	15.53	15.46	16.00	2
		50	25	15.44	15.55	15.38	16.00	2
20	64-QAM	50	50	15.27	15.53	15.39	16.00	2
		100	0	15.47	15.60	15.36	16.00	2
		1	0	15.41	15.57	15.35	16.00	2
		1	50	15.34	15.50	15.43	16.00	2
		1	99	15.38	15.54	15.46	16.00	2
		50	0	14.31	14.56	14.43	15.00	3
20	256-QAM	50	25	14.40	14.57	14.56	15.00	3
		50	50	14.41	14.59	14.45	15.00	3
		100	0	14.32	14.65	14.45	15.00	3
		1	0	14.38	14.53	14.42	15.00	3
		1	50	14.37	14.55	14.51	15.00	3
		1	99	14.29	14.52	14.41	15.00	3
20	256-QAM	50	0	13.33	13.58	13.49	14.00	4
		50	25	13.34	13.46	13.49	14.00	4
		50	50	13.32	13.57	13.44	14.00	4
		100	0	13.31	13.62	13.58	14.00	4

LTE Band 7								
BW(MHz)	Modulation	RB Size	RB Offset	Conducted power (dBm)			Target Power + Max. Tolerance (dBm)	MPR Allowed per 3GPP(dB)
Frequency (MHz)				2507.5	2535	2562.5		
Channel				20825	21100	21375		
15	QPSK	1	0	17.45	17.49	17.48	18.00	0
		1	36	17.48	17.52	17.52	18.00	0
		1	74	17.44	17.57	17.46	18.00	0
		36	0	16.28	16.58	16.47	17.00	1
		36	18	16.40	16.44	16.48	17.00	1
		36	37	16.46	16.58	16.46	17.00	1
		75	0	16.35	16.49	16.51	17.00	1
15	16-QAM	1	0	16.25	16.58	16.44	17.00	1
		1	36	16.31	16.54	16.36	17.00	1
		1	74	16.31	16.53	16.54	17.00	1
		36	0	15.45	15.44	15.49	16.00	2
		36	18	15.38	15.58	15.45	16.00	2
		36	37	15.37	15.56	15.48	16.00	2
15	64-QAM	75	0	15.39	15.52	15.43	16.00	2
		1	0	15.29	15.58	15.43	16.00	2
		1	36	15.41	15.61	15.48	16.00	2
		1	74	15.40	15.62	15.42	16.00	2
		36	0	14.41	14.61	14.41	15.00	3
		36	18	14.35	14.63	14.54	15.00	3
15	256-QAM	36	37	14.35	14.62	14.42	15.00	3
		75	0	14.30	14.55	14.47	15.00	3
		1	0	14.45	14.60	14.57	15.00	3
		1	36	14.32	14.43	14.45	15.00	3
		1	74	14.31	14.48	14.39	15.00	3
		36	0	13.35	13.45	13.50	14.00	4
15	256-QAM	36	18	13.31	13.48	13.37	14.00	4
		36	37	13.42	13.48	13.52	14.00	4
		75	0	13.34	13.59	13.45	14.00	4

Unless otherwise stated the results shown in this test report refer only to the sample(s) tested and such sample(s) are retained for 90 days only.

除非另有說明，此報告結果僅對測試之樣品負責，同時此樣品僅保留90天。本報告未經本公司書面許可，不可部份複製。

This document is issued by the Company subject to its General Conditions of Service printed overleaf, available on request or accessible at <http://www.sgs.com.tw/Terms-and-Conditions> and for electronic format documents, subject to Terms and Conditions for Electronic Documents at <http://www.sgs.com.tw/Terms-and-Conditions>. Attention is drawn to the limitation of liability, indemnification and jurisdiction issues defined therein. Any holder of this document is advised that information contained hereon reflects the Company's findings at the time of its intervention only and within the limits of Client's instructions, if any. The Company's sole responsibility is to its Client and this document does not exonerate parties to a transaction from exercising all their rights and obligations under the transaction documents. This document cannot be reproduced except in full, without prior written approval of the Company. Any unauthorized alteration, forgery or falsification of the content or appearance of this document is unlawful and offenders may be prosecuted to the fullest extent of the law.

LTE Band 7								
BW(MHz)	Modulation	RB Size	RB Offset	Conducted power (dBm)			Target Power + Max. Tolerance (dBm)	MPR Allowed per 3GPP(dB)
Frequency (MHz)				2505	2535	2565		
Channel				20800	21100	21400		
10	QPSK	1	0	17.28	17.52	17.40	18.00	0
		1	25	17.39	17.60	17.43	18.00	0
		1	49	17.43	17.59	17.46	18.00	0
		25	0	16.28	16.41	16.39	17.00	1
		25	12	16.39	16.52	16.52	17.00	1
		25	25	16.31	16.51	16.48	17.00	1
10	16-QAM	50	0	16.38	16.47	16.42	17.00	1
		1	0	16.39	16.52	16.42	17.00	1
		1	25	16.33	16.64	16.50	17.00	1
		1	49	16.24	16.42	16.55	17.00	1
		25	0	15.38	15.62	15.48	16.00	2
		25	12	15.30	15.53	15.33	16.00	2
10	64-QAM	25	25	15.39	15.56	15.59	16.00	2
		50	0	15.40	15.52	15.51	16.00	2
		1	0	15.39	15.39	15.54	16.00	2
		1	25	15.34	15.53	15.56	16.00	2
		1	49	15.46	15.47	15.33	16.00	2
		25	0	14.39	14.55	14.48	15.00	3
10	256-QAM	25	12	14.41	14.54	14.56	15.00	3
		25	25	14.35	14.46	14.51	15.00	3
		50	0	14.30	14.59	14.34	15.00	3
		1	0	14.39	14.43	14.56	15.00	3
		1	25	14.37	14.51	14.43	15.00	3
		1	49	14.35	14.43	14.44	15.00	3
10	256-QAM	25	0	13.33	13.57	13.48	14.00	4
		25	12	13.29	13.52	13.49	14.00	4
		25	25	13.44	13.47	13.49	14.00	4
		50	0	13.46	13.50	13.55	14.00	4

LTE Band 7								
BW(MHz)	Modulation	RB Size	RB Offset	Conducted power (dBm)			Target Power + Max. Tolerance (dBm)	MPR Allowed per 3GPP(dB)
Frequency (MHz)				2502.5	2535	2567.5		
Channel				20775	21100	21425		
5	QPSK	1	0	17.39	17.58	17.44	18.00	0
		1	12	17.31	17.44	17.43	18.00	0
		1	24	17.30	17.44	17.41	18.00	0
		12	0	16.42	16.60	16.43	17.00	1
		12	6	16.34	16.61	16.55	17.00	1
		12	13	16.41	16.45	16.38	17.00	1
5	16-QAM	25	0	16.36	16.50	16.47	17.00	1
		1	0	16.43	16.54	16.45	17.00	1
		1	12	16.39	16.56	16.43	17.00	1
		1	24	16.39	16.48	16.55	17.00	1
		12	0	15.44	15.46	15.57	16.00	2
		12	6	15.27	15.48	15.49	16.00	2
5	64-QAM	12	13	15.42	15.55	15.46	16.00	2
		25	0	15.48	15.64	15.48	16.00	2
		1	0	15.48	15.61	15.47	16.00	2
		1	12	15.35	15.54	15.49	16.00	2
		1	24	15.39	15.53	15.47	16.00	2
		12	0	14.48	14.60	14.40	15.00	3
5	256-QAM	12	6	14.45	14.47	14.50	15.00	3
		12	13	14.43	14.58	14.43	15.00	3
		25	0	14.47	14.48	14.43	15.00	3
		1	0	14.34	14.58	14.54	15.00	3
		1	12	14.27	14.62	14.38	15.00	3
		1	24	14.37	14.55	14.33	15.00	3
5	256-QAM	12	0	13.40	13.45	13.40	14.00	4
		12	6	13.41	13.51	13.42	14.00	4
		12	13	13.41	13.44	13.50	14.00	4
		25	0	13.50	13.53	13.52	14.00	4

Unless otherwise stated the results shown in this test report refer only to the sample(s) tested and such sample(s) are retained for 90 days only.

除非另有說明，此報告結果僅對測試之樣品負責，同時此樣品僅保留90天。本報告未經本公司書面許可，不可部份複製。

This document is issued by the Company subject to its General Conditions of Service printed overleaf, available on request or accessible at <http://www.sgs.com.tw/Terms-and-Conditions> and for electronic format documents, subject to Terms and Conditions for Electronic Documents at <http://www.sgs.com.tw/Terms-and-Conditions>. Attention is drawn to the limitation of liability, indemnification and jurisdiction issues defined therein. Any holder of this document is advised that information contained hereon reflects the Company's findings at the time of its intervention only and within the limits of Client's instructions, if any. The Company's sole responsibility is to its Client and this document does not exonerate parties to a transaction from exercising all their rights and obligations under the transaction documents. This document cannot be reproduced except in full, without prior written approval of the Company. Any unauthorized alteration, forgery or falsification of the content or appearance of this document is unlawful and offenders may be prosecuted to the fullest extent of the law.

LTE Band 12								
BW(MHz)	Modulation	RB Size	RB Offset	Conducted power (dBm)			Target Power + Max. Tolerance (dBm)	MPR Allowed per 3GPP(dB)
Frequency (MHz)				704	707.5	711		
Channel				23060	23095	23130		
10	QPSK	1	0	19.53	19.64	19.62	20.00	0
		1	25	19.35	19.53	19.49	20.00	0
		1	49	19.27	19.53	19.41	20.00	0
		25	0	18.24	18.40	18.43	19.00	1
		25	12	18.37	18.49	18.49	19.00	1
		25	25	18.34	18.41	18.51	19.00	1
10	16-QAM	50	0	18.37	18.47	18.46	19.00	1
		1	0	18.39	18.57	18.46	19.00	1
		1	25	18.34	18.47	18.47	19.00	1
		1	49	18.31	18.59	18.41	19.00	1
		25	0	17.25	17.43	17.51	18.00	2
		25	12	17.34	17.52	17.38	18.00	2
10	64-QAM	25	25	17.31	17.49	17.41	18.00	2
		50	0	17.27	17.53	17.44	18.00	2
		1	0	17.34	17.61	17.40	18.00	2
		1	25	17.43	17.39	17.37	18.00	2
		1	49	17.35	17.36	17.42	18.00	2
		25	0	16.41	16.38	16.41	17.00	3
10	256-QAM	25	12	16.34	16.42	16.51	17.00	3
		25	25	16.35	16.44	16.43	17.00	3
		50	0	16.36	16.52	16.55	17.00	3
		1	0	16.40	16.54	16.49	17.00	3
		1	25	16.48	16.53	16.40	17.00	3
		1	49	16.35	16.52	16.42	17.00	3
10	256-QAM	25	0	15.47	15.39	15.45	16.00	4
		25	12	15.38	15.47	15.49	16.00	4
		25	25	15.34	15.47	15.46	16.00	4
		50	0	15.40	15.53	15.58	16.00	4

LTE Band 12								
BW(MHz)	Modulation	RB Size	RB Offset	Conducted power (dBm)			Target Power + Max. Tolerance (dBm)	MPR Allowed per 3GPP(dB)
Frequency (MHz)				701.5	707.5	713.5		
Channel				23035	23095	23155		
5	QPSK	1	0	19.44	19.36	19.56	20.00	0
		1	12	19.23	19.46	19.45	20.00	0
		1	24	19.41	19.46	19.40	20.00	0
		12	0	18.46	18.47	18.41	19.00	1
		12	6	18.30	18.45	18.55	19.00	1
		12	13	18.26	18.52	18.46	19.00	1
5	16-QAM	25	0	18.27	18.48	18.50	19.00	1
		1	0	18.33	18.49	18.41	19.00	1
		1	12	18.36	18.55	18.44	19.00	1
		1	24	18.41	18.49	18.45	19.00	1
		12	0	17.34	17.42	17.48	18.00	2
		12	6	17.33	17.44	17.52	18.00	2
5	64-QAM	12	13	17.32	17.60	17.50	18.00	2
		25	0	17.35	17.38	17.43	18.00	2
		1	0	17.42	17.62	17.39	18.00	2
		1	12	17.48	17.47	17.39	18.00	2
		1	24	17.41	17.38	17.44	18.00	2
		12	0	16.32	16.42	16.51	17.00	3
5	256-QAM	12	6	16.33	16.57	16.50	17.00	3
		12	13	16.43	16.54	16.53	17.00	3
		25	0	16.30	16.55	16.51	17.00	3
		1	0	16.32	16.40	16.41	17.00	3
		1	12	16.41	16.53	16.53	17.00	3
		1	24	16.43	16.40	16.47	17.00	3
5	256-QAM	12	0	15.40	15.48	15.33	16.00	4
		12	6	15.41	15.43	15.53	16.00	4
		12	13	15.38	15.46	15.49	16.00	4
		25	0	15.51	15.51	15.55	16.00	4

Unless otherwise stated the results shown in this test report refer only to the sample(s) tested and such sample(s) are retained for 90 days only.

除非另有說明，此報告結果僅對測試之樣品負責，同時此樣品僅保留90天。本報告未經本公司書面許可，不可部份複製。

This document is issued by the Company subject to its General Conditions of Service printed overleaf, available on request or accessible at <http://www.sgs.com.tw/Terms-and-Conditions> and for electronic format documents, subject to Terms and Conditions for Electronic Documents at <http://www.sgs.com.tw/Terms-and-Conditions>. Attention is drawn to the limitation of liability, indemnification and jurisdiction issues defined therein. Any holder of this document is advised that information contained hereon reflects the Company's findings at the time of its intervention only and within the limits of Client's instructions, if any. The Company's sole responsibility is to its Client and this document does not exonerate parties to a transaction from exercising all their rights and obligations under the transaction documents. This document cannot be reproduced except in full, without prior written approval of the Company. Any unauthorized alteration, forgery or falsification of the content or appearance of this document is unlawful and offenders may be prosecuted to the fullest extent of the law.

LTE Band 12								
BW(MHz)	Modulation	RB Size	RB Offset	Conducted power (dBm)			Target Power + Max. Tolerance (dBm)	MPR Allowed per 3GPP(dB)
Frequency (MHz)				700.5	707.5	714.5		
Channel				23025	23095	23165		
3	QPSK	1	0	19.35	19.50	19.45	20.00	0
		1	7	19.45	19.49	19.60	20.00	0
		1	14	19.27	19.56	19.40	20.00	0
		8	0	18.31	18.53	18.59	19.00	1
		8	4	18.37	18.48	18.44	19.00	1
		8	7	18.37	18.58	18.47	19.00	1
3	16-QAM	15	0	18.45	18.53	18.36	19.00	1
		1	0	18.36	18.56	18.49	19.00	1
		1	7	18.37	18.60	18.58	19.00	1
		1	14	18.38	18.42	18.49	19.00	1
		8	0	17.37	17.45	17.45	18.00	2
		8	4	17.40	17.55	17.43	18.00	2
3	64-QAM	8	7	17.24	17.42	17.43	18.00	2
		15	0	17.34	17.48	17.46	18.00	2
		1	0	17.42	17.60	17.49	18.00	2
		1	7	17.39	17.53	17.48	18.00	2
		1	14	17.35	17.44	17.47	18.00	2
		8	0	16.45	16.46	16.43	17.00	3
3	256-QAM	8	4	16.26	16.42	16.41	17.00	3
		8	7	16.35	16.54	16.45	17.00	3
		15	0	16.34	16.39	16.42	17.00	3
		1	0	16.41	16.52	16.52	17.00	3
		1	7	16.40	16.49	16.52	17.00	3
		1	14	16.38	16.54	16.35	17.00	3
3	256-QAM	8	0	15.36	15.52	15.43	16.00	4
		8	4	15.44	15.48	15.49	16.00	4
		8	7	15.38	15.47	15.53	16.00	4
		15	0	15.40	15.46	15.47	16.00	4

LTE Band 12								
BW(MHz)	Modulation	RB Size	RB Offset	Conducted power (dBm)			Target Power + Max. Tolerance (dBm)	MPR Allowed per 3GPP(dB)
Frequency (MHz)				699.7	707.5	715.3		
Channel				23017	23095	23173		
1.4	QPSK	1	0	19.28	19.45	19.37	20.00	0
		1	2	19.36	19.46	19.40	20.00	0
		1	5	19.37	19.39	19.42	20.00	0
		3	0	19.28	19.59	19.47	20.00	0
		3	2	19.32	19.44	19.42	20.00	0
		3	3	19.36	19.46	19.40	20.00	0
1.4	16-QAM	6	0	18.37	18.56	18.56	19.00	1
		1	0	18.32	18.59	18.43	19.00	1
		1	2	18.38	18.42	18.53	19.00	1
		1	5	18.29	18.46	18.39	19.00	1
		3	0	18.37	18.41	18.43	19.00	1
		3	2	18.49	18.49	18.45	19.00	1
1.4	64-QAM	3	3	18.38	18.52	18.49	19.00	1
		6	0	17.42	17.47	17.45	18.00	2
		1	0	17.41	17.49	17.44	18.00	2
		1	2	17.36	17.38	17.53	18.00	2
		1	5	17.37	17.59	17.46	18.00	2
		3	0	17.36	17.58	17.42	18.00	2
1.4	256-QAM	3	2	17.37	17.62	17.50	18.00	2
		3	3	17.31	17.40	17.55	18.00	2
		6	0	16.31	16.53	16.44	17.00	3
		1	0	16.42	16.51	16.50	17.00	3
		1	2	16.27	16.50	16.32	17.00	3
		1	5	16.29	16.46	16.51	17.00	3
1.4	256-QAM	3	0	16.28	16.47	16.37	17.00	3
		3	2	16.28	16.58	16.36	17.00	3
		3	3	16.34	16.35	16.44	17.00	3
		6	0	15.34	15.52	15.42	16.00	4

Unless otherwise stated the results shown in this test report refer only to the sample(s) tested and such sample(s) are retained for 90 days only.

除非另有說明，此報告結果僅對測試之樣品負責，同時此樣品僅保留90天。本報告未經本公司書面許可，不可部份複製。

This document is issued by the Company subject to its General Conditions of Service printed overleaf, available on request or accessible at <http://www.sgs.com.tw/Terms-and-Conditions> and for electronic format documents, subject to Terms and Conditions for Electronic Documents at <http://www.sgs.com.tw/Terms-and-Conditions>. Attention is drawn to the limitation of liability, indemnification and jurisdiction issues defined therein. Any holder of this document is advised that information contained hereon reflects the Company's findings at the time of its intervention only and within the limits of Client's instructions, if any. The Company's sole responsibility is to its Client and this document does not exonerate parties to a transaction from exercising all their rights and obligations under the transaction documents. This document cannot be reproduced except in full, without prior written approval of the Company. Any unauthorized alteration, forgery or falsification of the content or appearance of this document is unlawful and offenders may be prosecuted to the fullest extent of the law.

LTE Band 13								
BW(MHz)	Modulation	RB Size	RB Offset	Conducted power (dBm)			Target Power + Max. Tolerance (dBm)	MPR Allowed per 3GPP(dB)
Frequency (MHz)				782	782	782		
Channel				23230	23230	23230		
10	QPSK	1	0	19.59	19.59	19.59	20.00	0
		1	25	19.39	19.39	19.39	20.00	0
		1	49	19.45	19.45	19.45	20.00	0
		25	0	18.38	18.38	18.38	19.00	1
		25	12	18.37	18.37	18.37	19.00	1
		25	25	18.49	18.49	18.49	19.00	1
10	16-QAM	50	0	18.38	18.38	18.38	19.00	1
		1	0	18.40	18.40	18.40	19.00	1
		1	25	18.47	18.47	18.47	19.00	1
		1	49	18.31	18.31	18.31	19.00	1
		25	0	17.48	17.48	17.48	18.00	2
		25	12	17.45	17.45	17.45	18.00	2
10	64-QAM	25	25	17.42	17.42	17.42	18.00	2
		50	0	17.43	17.43	17.43	18.00	2
		1	0	17.50	17.50	17.50	18.00	2
		1	25	17.55	17.55	17.55	18.00	2
		1	49	17.49	17.49	17.49	18.00	2
		25	0	16.36	16.36	16.36	17.00	3
10	256-QAM	25	12	16.36	16.36	16.36	17.00	3
		25	25	16.40	16.40	16.40	17.00	3
		50	0	16.47	16.47	16.47	17.00	3
		1	0	16.52	16.52	16.52	17.00	3
		1	25	16.43	16.43	16.43	17.00	3
		1	49	16.49	16.49	16.49	17.00	3
10	256-QAM	25	0	15.54	15.54	15.54	16.00	4
		25	12	15.46	15.46	15.46	16.00	4
		25	25	15.34	15.34	15.34	16.00	4
		50	0	15.44	15.44	15.44	16.00	4

LTE Band 13								
BW(MHz)	Modulation	RB Size	RB Offset	Conducted power (dBm)			Target Power + Max. Tolerance (dBm)	MPR Allowed per 3GPP(dB)
Frequency (MHz)				779.5	782	784.5		
Channel				23205	23230	23255		
5	QPSK	1	0	19.42	19.49	19.47	20.00	0
		1	12	19.51	19.36	19.50	20.00	0
		1	24	19.46	19.38	19.31	20.00	0
		12	0	18.51	18.40	18.41	19.00	1
		12	6	18.36	18.37	18.56	19.00	1
		12	13	18.55	18.57	18.47	19.00	1
5	16-QAM	25	0	18.46	18.48	18.36	19.00	1
		1	0	18.45	18.43	18.47	19.00	1
		1	12	18.37	18.54	18.47	19.00	1
		1	24	18.51	18.56	18.38	19.00	1
		12	0	17.50	17.52	17.46	18.00	2
		12	6	17.41	17.38	17.39	18.00	2
5	64-QAM	12	13	17.45	17.36	17.32	18.00	2
		25	0	17.36	17.52	17.41	18.00	2
		1	0	17.51	17.40	17.36	18.00	2
		1	12	17.37	17.38	17.47	18.00	2
		1	24	17.32	17.44	17.36	18.00	2
		12	0	16.31	16.44	16.40	17.00	3
5	256-QAM	12	6	16.49	16.48	16.47	17.00	3
		12	13	16.40	16.51	16.31	17.00	3
		25	0	16.39	16.47	16.40	17.00	3
		1	0	16.45	16.52	16.44	17.00	3
		1	12	16.50	16.47	16.38	17.00	3
		1	24	16.35	16.50	16.39	17.00	3
5	256-QAM	12	0	15.41	15.32	15.47	16.00	4
		12	6	15.52	15.43	15.47	16.00	4
		12	13	15.45	15.41	15.39	16.00	4
		25	0	15.38	15.47	15.54	16.00	4

Unless otherwise stated the results shown in this test report refer only to the sample(s) tested and such sample(s) are retained for 90 days only.

除非另有說明，此報告結果僅對測試之樣品負責，同時此樣品僅保留90天。本報告未經本公司書面許可，不可部份複製。

This document is issued by the Company subject to its General Conditions of Service printed overleaf, available on request or accessible at <http://www.sgs.com.tw/Terms-and-Conditions> and for electronic format documents, subject to Terms and Conditions for Electronic Documents at <http://www.sgs.com.tw/Terms-and-Conditions>. Attention is drawn to the limitation of liability, indemnification and jurisdiction issues defined therein. Any holder of this document is advised that information contained hereon reflects the Company's findings at the time of its intervention only and within the limits of Client's instructions, if any. The Company's sole responsibility is to its Client and this document does not exonerate parties to a transaction from exercising all their rights and obligations under the transaction documents. This document cannot be reproduced except in full, without prior written approval of the Company. Any unauthorized alteration, forgery or falsification of the content or appearance of this document is unlawful and offenders may be prosecuted to the fullest extent of the law.

LTE Band 14								
BW(MHz)	Modulation	RB Size	RB Offset	Conducted power (dBm)			Target Power + Max. Tolerance (dBm)	MPR Allowed per 3GPP(dB)
Frequency (MHz)				793	793	793		
Channel				23330	23330	23330		
10	QPSK	1	0	19.79	19.79	19.79	20.00	0
		1	25	19.58	19.58	19.58	20.00	0
		1	49	19.68	19.68	19.68	20.00	0
		25	0	18.70	18.70	18.70	19.00	1
		25	12	18.59	18.59	18.59	19.00	1
		25	25	18.63	18.63	18.63	19.00	1
10	16-QAM	50	0	18.75	18.75	18.75	19.00	1
		1	0	18.67	18.67	18.67	19.00	1
		1	25	18.63	18.63	18.63	19.00	1
		1	49	18.74	18.74	18.74	19.00	1
		25	0	17.64	17.64	17.64	18.00	2
		25	12	17.56	17.56	17.56	18.00	2
10	64-QAM	25	25	17.57	17.57	17.57	18.00	2
		50	0	17.65	17.65	17.65	18.00	2
		1	0	17.64	17.64	17.64	18.00	2
		1	25	17.57	17.57	17.57	18.00	2
		1	49	17.73	17.73	17.73	18.00	2
		25	0	16.65	16.65	16.65	17.00	3
10	256-QAM	25	12	16.63	16.63	16.63	17.00	3
		25	25	16.58	16.58	16.58	17.00	3
		50	0	16.64	16.64	16.64	17.00	3
		1	0	16.75	16.75	16.75	17.00	3
		1	25	16.68	16.68	16.68	17.00	3
		1	49	16.73	16.73	16.73	17.00	3
10	256-QAM	25	0	15.66	15.66	15.66	16.00	4
		25	12	15.62	15.62	15.62	16.00	4
		25	25	15.55	15.55	15.55	16.00	4
		50	0	15.61	15.61	15.61	16.00	4

LTE Band 14								
BW(MHz)	Modulation	RB Size	RB Offset	Conducted power (dBm)			Target Power + Max. Tolerance (dBm)	MPR Allowed per 3GPP(dB)
Frequency (MHz)				790.5	793	795.5		
Channel				23305	23330	23355		
5	QPSK	1	0	19.65	19.70	19.55	20.00	0
		1	12	19.65	19.65	19.64	20.00	0
		1	24	19.57	19.67	19.61	20.00	0
		12	0	18.56	18.72	18.58	19.00	1
		12	6	18.69	18.62	18.57	19.00	1
		12	13	18.62	18.60	18.70	19.00	1
5	16-QAM	25	0	18.65	18.58	18.65	19.00	1
		1	0	18.57	18.74	18.65	19.00	1
		1	12	18.64	18.70	18.58	19.00	1
		1	24	18.58	18.59	18.52	19.00	1
		12	0	17.63	17.59	17.57	18.00	2
		12	6	17.53	17.55	17.64	18.00	2
5	64-QAM	12	13	17.50	17.65	17.65	18.00	2
		25	0	17.75	17.55	17.60	18.00	2
		1	0	17.63	17.65	17.58	18.00	2
		1	12	17.53	17.55	17.57	18.00	2
		1	24	17.53	17.64	17.67	18.00	2
		12	0	16.69	16.58	16.55	17.00	3
5	256-QAM	12	6	16.66	16.60	16.54	17.00	3
		12	13	16.62	16.66	16.56	17.00	3
		25	0	16.59	16.65	16.63	17.00	3
		1	0	16.69	16.72	16.59	17.00	3
		1	12	16.63	16.57	16.64	17.00	3
		1	24	16.64	16.59	16.57	17.00	3
5	256-QAM	12	0	15.60	15.66	15.63	16.00	4
		12	6	15.68	15.55	15.57	16.00	4
		12	13	15.65	15.59	15.63	16.00	4
		25	0	15.60	15.65	15.62	16.00	4

Unless otherwise stated the results shown in this test report refer only to the sample(s) tested and such sample(s) are retained for 90 days only.

除非另有說明，此報告結果僅對測試之樣品負責，同時此樣品僅保留90天。本報告未經本公司書面許可，不可部份複製。

This document is issued by the Company subject to its General Conditions of Service printed overleaf, available on request or accessible at <http://www.sgs.com.tw/Terms-and-Conditions> and for electronic format documents, subject to Terms and Conditions for Electronic Documents at <http://www.sgs.com.tw/Terms-and-Conditions>. Attention is drawn to the limitation of liability, indemnification and jurisdiction issues defined therein. Any holder of this document is advised that information contained hereon reflects the Company's findings at the time of its intervention only and within the limits of Client's instructions, if any. The Company's sole responsibility is to its Client and this document does not exonerate parties to a transaction from exercising all their rights and obligations under the transaction documents. This document cannot be reproduced except in full, without prior written approval of the Company. Any unauthorized alteration, forgery or falsification of the content or appearance of this document is unlawful and offenders may be prosecuted to the fullest extent of the law.

LTE Band 17								
BW(MHz)	Modulation	RB Size	RB Offset	Conducted power (dBm)			Target Power + Max. Tolerance (dBm)	MPR Allowed per 3GPP(dB)
Frequency (MHz)				709	710	711		
Channel				23780	23790	23800		
10	QPSK	1	0	19.61	19.53	19.57	20.00	0
		1	25	19.46	19.41	19.51	20.00	0
		1	49	19.36	19.28	19.40	20.00	0
		25	0	18.33	18.39	18.40	19.00	1
		25	12	18.50	18.32	18.45	19.00	1
		25	25	18.55	18.48	18.41	19.00	1
10	16-QAM	50	0	18.37	18.32	18.38	19.00	1
		1	0	18.38	18.49	18.42	19.00	1
		1	25	18.44	18.43	18.42	19.00	1
		1	49	18.34	18.33	18.45	19.00	1
		25	0	17.49	17.31	17.40	18.00	2
		25	12	17.50	17.40	17.35	18.00	2
10	64-QAM	25	25	17.43	17.33	17.43	18.00	2
		50	0	17.42	17.36	17.47	18.00	2
		1	0	17.44	17.47	17.39	18.00	2
		1	25	17.34	17.30	17.38	18.00	2
		1	49	17.38	17.41	17.46	18.00	2
		25	0	16.45	16.36	16.36	17.00	3
10	256-QAM	25	12	16.45	16.45	16.45	17.00	3
		25	25	16.58	16.31	16.44	17.00	3
		50	0	16.38	16.29	16.37	17.00	3
		1	0	16.34	16.31	16.36	17.00	3
		1	25	16.49	16.37	16.42	17.00	3
		1	49	16.49	16.35	16.41	17.00	3
10	256-QAM	25	0	15.49	15.32	15.34	16.00	4
		25	12	15.39	15.42	15.42	16.00	4
		25	25	15.35	15.37	15.34	16.00	4
		50	0	15.41	15.25	15.43	16.00	4

LTE Band 17								
BW(MHz)	Modulation	RB Size	RB Offset	Conducted power (dBm)			Target Power + Max. Tolerance (dBm)	MPR Allowed per 3GPP(dB)
Frequency (MHz)				706.5	710	713.5		
Channel				23755	23790	23825		
5	QPSK	1	0	19.50	19.39	19.40	20.00	0
		1	12	19.45	19.37	19.42	20.00	0
		1	24	19.40	19.42	19.42	20.00	0
		12	0	18.45	18.35	18.40	19.00	1
		12	6	18.46	18.41	18.37	19.00	1
		12	13	18.48	18.37	18.42	19.00	1
5	16-QAM	25	0	18.52	18.27	18.35	19.00	1
		1	0	18.41	18.28	18.45	19.00	1
		1	12	18.41	18.28	18.44	19.00	1
		1	24	18.41	18.27	18.31	19.00	1
		12	0	17.47	17.30	17.36	18.00	2
		12	6	17.34	17.36	17.31	18.00	2
5	64-QAM	12	13	17.38	17.46	17.51	18.00	2
		25	0	17.37	17.30	17.49	18.00	2
		1	0	17.55	17.45	17.40	18.00	2
		1	12	17.50	17.39	17.40	18.00	2
		1	24	17.41	17.38	17.38	18.00	2
		12	0	16.49	16.37	16.47	17.00	3
5	256-QAM	12	6	16.56	16.43	16.31	17.00	3
		12	13	16.47	16.45	16.49	17.00	3
		25	0	16.51	16.37	16.53	17.00	3
		1	0	16.49	16.42	16.35	17.00	3
		1	12	16.47	16.40	16.39	17.00	3
		1	24	16.49	16.35	16.40	17.00	3
5	256-QAM	12	0	15.43	15.43	15.48	16.00	4
		12	6	15.43	15.49	15.51	16.00	4
		12	13	15.50	15.51	15.54	16.00	4
		25	0	15.55	15.30	15.42	16.00	4

Unless otherwise stated the results shown in this test report refer only to the sample(s) tested and such sample(s) are retained for 90 days only.

除非另有說明，此報告結果僅對測試之樣品負責，同時此樣品僅保留90天。本報告未經本公司書面許可，不可部份複製。

This document is issued by the Company subject to its General Conditions of Service printed overleaf, available on request or accessible at <http://www.sgs.com.tw/Terms-and-Conditions> and for electronic format documents, subject to Terms and Conditions for Electronic Documents at <http://www.sgs.com.tw/Terms-and-Conditions>. Attention is drawn to the limitation of liability, indemnification and jurisdiction issues defined therein. Any holder of this document is advised that information contained hereon reflects the Company's findings at the time of its intervention only and within the limits of Client's instructions, if any. The Company's sole responsibility is to its Client and this document does not exonerate parties to a transaction from exercising all their rights and obligations under the transaction documents. This document cannot be reproduced except in full, without prior written approval of the Company. Any unauthorized alteration, forgery or falsification of the content or appearance of this document is unlawful and offenders may be prosecuted to the fullest extent of the law.

LTE Band 25								
BW(MHz)	Modulation	RB Size	RB Offset	Conducted power (dBm)			Target Power + Max. Tolerance (dBm)	MPR Allowed per 3GPP(dB)
Frequency (MHz)				1860	1882.5	1905		
Channel				26140	26365	26590		
20	QPSK	1	0	19.74	19.71	19.62	20.00	0
		1	50	19.58	19.58	19.42	20.00	0
		1	99	19.57	19.59	19.54	20.00	0
		50	0	18.58	18.69	18.44	19.00	1
		50	25	18.68	18.54	18.41	19.00	1
		50	50	18.58	18.50	18.45	19.00	1
		100	0	18.66	18.50	18.51	19.00	1
20	16-QAM	1	0	18.66	18.51	18.46	19.00	1
		1	50	18.59	18.52	18.41	19.00	1
		1	99	18.55	18.54	18.53	19.00	1
		50	0	17.58	17.62	17.47	18.00	2
		50	25	17.47	17.66	17.41	18.00	2
		50	50	17.61	17.60	17.55	18.00	2
		100	0	17.66	17.58	17.50	18.00	2
20	64-QAM	1	0	17.62	17.60	17.44	18.00	2
		1	50	17.64	17.62	17.43	18.00	2
		1	99	17.47	17.67	17.51	18.00	2
		50	0	16.58	16.44	16.42	17.00	3
		50	25	16.65	16.58	16.46	17.00	3
		50	50	16.66	16.65	16.51	17.00	3
		100	0	16.70	16.52	16.46	17.00	3
20	256-QAM	1	0	16.55	16.47	16.54	17.00	3
		1	50	16.66	16.54	16.45	17.00	3
		1	99	16.61	16.59	16.59	17.00	3
		50	0	15.55	15.55	15.34	16.00	4
		50	25	15.62	15.46	15.49	16.00	4
		50	50	15.56	15.49	15.43	16.00	4
		100	0	15.48	15.67	15.40	16.00	4
LTE Band 25								
BW(MHz)	Modulation	RB Size	RB Offset	Conducted power (dBm)			Target Power + Max. Tolerance (dBm)	MPR Allowed per 3GPP(dB)
Frequency (MHz)				1857.5	1882.5	1907.5		
Channel				26115	26365	26615		
15	QPSK	1	0	19.58	19.44	19.46	20.00	0
		1	36	19.57	19.49	19.45	20.00	0
		1	74	19.51	19.51	19.42	20.00	0
		36	0	18.65	18.53	18.34	19.00	1
		36	18	18.48	18.53	18.46	19.00	1
		36	37	18.59	18.62	18.39	19.00	1
		75	0	18.58	18.58	18.53	19.00	1
15	16-QAM	1	0	18.62	18.54	18.51	19.00	1
		1	36	18.57	18.63	18.33	19.00	1
		1	74	18.60	18.46	18.51	19.00	1
		36	0	17.68	17.63	17.49	18.00	2
		36	18	17.47	17.49	17.35	18.00	2
		36	37	17.52	17.61	17.50	18.00	2
		75	0	17.53	17.45	17.50	18.00	2
15	64-QAM	1	0	17.51	17.62	17.43	18.00	2
		1	36	17.54	17.51	17.48	18.00	2
		1	74	17.48	17.51	17.50	18.00	2
		36	0	16.62	16.49	16.49	17.00	3
		36	18	16.53	16.49	16.46	17.00	3
		36	37	16.58	16.47	16.50	17.00	3
		75	0	16.57	16.47	16.40	17.00	3
15	256-QAM	1	0	16.59	16.47	16.46	17.00	3
		1	36	16.63	16.53	16.56	17.00	3
		1	74	16.62	16.52	16.57	17.00	3
		36	0	15.58	15.58	15.50	16.00	4
		36	18	15.58	15.48	15.49	16.00	4
		36	37	15.59	15.57	15.53	16.00	4
		75	0	15.60	15.64	15.44	16.00	4

Unless otherwise stated the results shown in this test report refer only to the sample(s) tested and such sample(s) are retained for 90 days only.

除非另有說明，此報告結果僅對測試之樣品負責，同時此樣品僅保留90天。本報告未經本公司書面許可，不可部份複製。

This document is issued by the Company subject to its General Conditions of Service printed overleaf, available on request or accessible at <http://www.sgs.com.tw/Terms-and-Conditions> and for electronic format documents, subject to Terms and Conditions for Electronic Documents at <http://www.sgs.com.tw/Terms-and-Conditions>. Attention is drawn to the limitation of liability, indemnification and jurisdiction issues defined therein. Any holder of this document is advised that information contained hereon reflects the Company's findings at the time of its intervention only and within the limits of Client's instructions, if any. The Company's sole responsibility is to its Client and this document does not exonerate parties to a transaction from exercising all their rights and obligations under the transaction documents. This document cannot be reproduced except in full, without prior written approval of the Company. Any unauthorized alteration, forgery or falsification of the content or appearance of this document is unlawful and offenders may be prosecuted to the fullest extent of the law.

LTE Band 25								
BW(MHz)	Modulation	RB Size	RB Offset	Conducted power (dBm)			Target Power + Max. Tolerance (dBm)	MPR Allowed per 3GPP(dB)
Frequency (MHz)				1855	1882.5	1910		
Channel				26090	26365	26640		
10	QPSK	1	0	19.59	19.55	19.46	20.00	0
		1	25	19.58	19.46	19.50	20.00	0
		1	49	19.67	19.61	19.36	20.00	0
		25	0	18.63	18.55	18.49	19.00	1
		25	12	18.57	18.66	18.47	19.00	1
		25	25	18.58	18.59	18.41	19.00	1
		50	0	18.65	18.69	18.47	19.00	1
10	16-QAM	1	0	18.47	18.67	18.46	19.00	1
		1	25	18.54	18.45	18.39	19.00	1
		1	49	18.51	18.50	18.41	19.00	1
		25	0	17.63	17.53	17.42	18.00	2
		25	12	17.56	17.59	17.56	18.00	2
		25	25	17.70	17.45	17.47	18.00	2
		50	0	17.60	17.45	17.38	18.00	2
10	64-QAM	1	0	17.57	17.51	17.46	18.00	2
		1	25	17.59	17.55	17.40	18.00	2
		1	49	17.58	17.47	17.52	18.00	2
		25	0	16.53	16.48	16.50	17.00	3
		25	12	16.67	16.59	16.45	17.00	3
		25	25	16.60	16.56	16.44	17.00	3
		50	0	16.59	16.57	16.41	17.00	3
10	256-QAM	1	0	16.64	16.54	16.49	17.00	3
		1	25	16.46	16.57	16.50	17.00	3
		1	49	16.58	16.53	16.47	17.00	3
		25	0	15.53	15.53	15.47	16.00	4
		25	12	15.55	15.57	15.52	16.00	4
		25	25	15.50	15.48	15.33	16.00	4
		50	0	15.64	15.54	15.50	16.00	4
LTE Band 25								
BW(MHz)	Modulation	RB Size	RB Offset	Conducted power (dBm)			Target Power + Max. Tolerance (dBm)	MPR Allowed per 3GPP(dB)
Frequency (MHz)				1852.5	1882.5	1912.5		
Channel				26065	26365	26665		
5	QPSK	1	0	19.68	19.64	19.52	20.00	0
		1	12	19.49	19.62	19.50	20.00	0
		1	24	19.57	19.52	19.44	20.00	0
		12	0	18.61	18.61	18.41	19.00	1
		12	6	18.67	18.64	18.42	19.00	1
		12	13	18.64	18.68	18.38	19.00	1
		25	0	18.65	18.61	18.55	19.00	1
5	16-QAM	1	0	18.61	18.46	18.55	19.00	1
		1	12	18.67	18.48	18.58	19.00	1
		1	24	18.58	18.51	18.55	19.00	1
		12	0	17.54	17.52	17.44	18.00	2
		12	6	17.64	17.43	17.40	18.00	2
		12	13	17.66	17.52	17.49	18.00	2
		25	0	17.62	17.60	17.57	18.00	2
5	64-QAM	1	0	17.54	17.63	17.34	18.00	2
		1	12	17.54	17.68	17.50	18.00	2
		1	24	17.51	17.59	17.37	18.00	2
		12	0	16.64	16.49	16.50	17.00	3
		12	6	16.53	16.51	16.35	17.00	3
		12	13	16.56	16.64	16.46	17.00	3
		25	0	16.55	16.59	16.35	17.00	3
5	256-QAM	1	0	16.52	16.67	16.46	17.00	3
		1	12	16.49	16.53	16.52	17.00	3
		1	24	16.62	16.47	16.53	17.00	3
		12	0	15.59	15.50	15.46	16.00	4
		12	6	15.61	15.55	15.33	16.00	4
		12	13	15.65	15.62	15.55	16.00	4
		25	0	15.48	15.57	15.45	16.00	4

Unless otherwise stated the results shown in this test report refer only to the sample(s) tested and such sample(s) are retained for 90 days only.

除非另有說明，此報告結果僅對測試之樣品負責，同時此樣品僅保留90天。本報告未經本公司書面許可，不可部份複製。

This document is issued by the Company subject to its General Conditions of Service printed overleaf, available on request or accessible at <http://www.sgs.com.tw/Terms-and-Conditions> and for electronic format documents, subject to Terms and Conditions for Electronic Documents at <http://www.sgs.com.tw/Terms-and-Conditions>. Attention is drawn to the limitation of liability, indemnification and jurisdiction issues defined therein. Any holder of this document is advised that information contained hereon reflects the Company's findings at the time of its intervention only and within the limits of Client's instructions, if any. The Company's sole responsibility is to its Client and this document does not exonerate parties to a transaction from exercising all their rights and obligations under the transaction documents. This document cannot be reproduced except in full, without prior written approval of the Company. Any unauthorized alteration, forgery or falsification of the content or appearance of this document is unlawful and offenders may be prosecuted to the fullest extent of the law.

LTE Band 25								
BW(MHz)	Modulation	RB Size	RB Offset	Conducted power (dBm)			Target Power + Max. Tolerance (dBm)	MPR Allowed per 3GPP(dB)
Frequency (MHz)				1851.5	1882.5	1913.5		
Channel				26055	26365	26675		
3	QPSK	1	0	19.52	19.61	19.47	20.00	0
		1	7	19.60	19.41	19.38	20.00	0
		1	14	19.59	19.61	19.44	20.00	0
		8	0	18.48	18.59	18.40	19.00	1
		8	4	18.67	18.57	18.54	19.00	1
		8	7	18.55	18.50	18.42	19.00	1
3	16-QAM	15	0	18.63	18.49	18.32	19.00	1
		1	0	18.59	18.49	18.41	19.00	1
		1	7	18.50	18.46	18.47	19.00	1
		1	14	18.57	18.62	18.54	19.00	1
		8	0	17.60	17.59	17.53	18.00	2
		8	4	17.59	17.46	17.49	18.00	2
3	64-QAM	8	7	17.49	17.59	17.39	18.00	2
		15	0	17.58	17.61	17.33	18.00	2
		1	0	17.64	17.60	17.48	18.00	2
		1	7	17.52	17.62	17.40	18.00	2
		1	14	17.59	17.59	17.50	18.00	2
		8	0	16.53	16.61	16.52	17.00	3
3	256-QAM	8	4	16.57	16.49	16.52	17.00	3
		8	7	16.55	16.61	16.49	17.00	3
		15	0	16.62	16.47	16.47	17.00	3
		1	0	16.54	16.53	16.40	17.00	3
		1	7	16.66	16.58	16.40	17.00	3
		1	14	16.54	16.54	16.41	17.00	3
3	256-QAM	8	0	15.59	15.52	15.43	16.00	4
		8	4	15.62	15.56	15.37	16.00	4
		8	7	15.58	15.60	15.41	16.00	4
		15	0	15.61	15.61	15.44	16.00	4

LTE Band 25								
BW(MHz)	Modulation	RB Size	RB Offset	Conducted power (dBm)			Target Power + Max. Tolerance (dBm)	MPR Allowed per 3GPP(dB)
Frequency (MHz)				1850.7	1882.5	1914.3		
Channel				26047	26365	26683		
1.4	QPSK	1	0	19.56	19.47	19.52	20.00	0
		1	2	19.54	19.51	19.53	20.00	0
		1	5	19.49	19.61	19.34	20.00	0
		3	0	19.63	19.59	19.46	20.00	0
		3	2	19.59	19.62	19.42	20.00	0
		3	3	19.60	19.44	19.54	20.00	0
1.4	16-QAM	6	0	18.48	18.51	18.57	19.00	1
		1	0	18.54	18.60	18.34	19.00	1
		1	2	18.55	18.58	18.48	19.00	1
		1	5	18.50	18.64	18.52	19.00	1
		3	0	18.61	18.50	18.48	19.00	1
		3	2	18.53	18.49	18.48	19.00	1
1.4	64-QAM	3	3	18.59	18.53	18.49	19.00	1
		6	0	17.55	17.59	17.34	18.00	2
		1	0	17.68	17.62	17.41	18.00	2
		1	2	17.59	17.63	17.35	18.00	2
		1	5	17.64	17.64	17.44	18.00	2
		3	0	17.62	17.50	17.50	18.00	2
1.4	256-QAM	3	2	17.61	17.53	17.51	18.00	2
		3	3	17.67	17.54	17.49	18.00	2
		6	0	16.57	16.60	16.43	17.00	3
		1	0	16.63	16.47	16.45	17.00	3
		1	2	16.66	16.51	16.49	17.00	3
		1	5	16.59	16.66	16.40	17.00	3
1.4	256-QAM	3	0	16.48	16.44	16.41	17.00	3
		3	2	16.59	16.55	16.35	17.00	3
		3	3	16.44	16.49	16.48	17.00	3
		6	0	15.51	15.48	15.46	16.00	4

Unless otherwise stated the results shown in this test report refer only to the sample(s) tested and such sample(s) are retained for 90 days only.

除非另有說明，此報告結果僅對測試之樣品負責，同時此樣品僅保留90天。本報告未經本公司書面許可，不可部份複製。

This document is issued by the Company subject to its General Conditions of Service printed overleaf, available on request or accessible at <http://www.sgs.com.tw/Terms-and-Conditions> and for electronic format documents, subject to Terms and Conditions for Electronic Documents at <http://www.sgs.com.tw/Terms-and-Conditions>. Attention is drawn to the limitation of liability, indemnification and jurisdiction issues defined therein. Any holder of this document is advised that information contained hereon reflects the Company's findings at the time of its intervention only and within the limits of Client's instructions, if any. The Company's sole responsibility is to its Client and this document does not exonerate parties to a transaction from exercising all their rights and obligations under the transaction documents. This document cannot be reproduced except in full, without prior written approval of the Company. Any unauthorized alteration, forgery or falsification of the content or appearance of this document is unlawful and offenders may be prosecuted to the fullest extent of the law.

LTE Band 26_FCC								
BW(MHz)	Modulation	RB Size	RB Offset	Conducted power (dBm)			Target Power + Max. Tolerance (dBm)	MPR Allowed per 3GPP(dB)
Frequency (MHz)				821.5	831.5	841.5		
Channel				26765	26865	26965		
15	QPSK	1	0	19.43	19.55	19.62	20.00	0
		1	36	19.31	19.50	19.55	20.00	0
		1	74	19.21	19.34	19.44	20.00	0
		36	0	18.29	18.46	18.48	19.00	1
		36	18	18.33	18.44	18.47	19.00	1
		36	37	18.27	18.51	18.37	19.00	1
15	16-QAM	75	0	18.31	18.45	18.47	19.00	1
		1	0	18.29	18.53	18.53	19.00	1
		1	36	18.27	18.38	18.45	19.00	1
		1	74	18.18	18.37	18.41	19.00	1
		36	0	17.29	17.47	17.47	18.00	2
		36	18	17.15	17.41	17.52	18.00	2
15	64-QAM	36	37	17.22	17.41	17.36	18.00	2
		75	0	17.27	17.39	17.41	18.00	2
		1	0	17.25	17.41	17.52	18.00	2
		1	36	17.29	17.35	17.58	18.00	2
		1	74	17.30	17.43	17.41	18.00	2
		36	0	16.29	16.27	16.47	17.00	3
15	256-QAM	36	18	16.32	16.39	16.51	17.00	3
		36	37	16.24	16.36	16.43	17.00	3
		75	0	16.25	16.28	16.49	17.00	3
		1	0	16.31	16.40	16.45	17.00	3
		1	36	16.21	16.26	16.38	17.00	3
		1	74	16.30	16.38	16.45	17.00	3
15	256-QAM	36	0	15.30	15.36	15.55	16.00	4
		36	18	15.19	15.42	15.51	16.00	4
		36	37	15.35	15.39	15.43	16.00	4
		75	0	15.15	15.34	15.47	16.00	4

LTE Band 26_FCC								
BW(MHz)	Modulation	RB Size	RB Offset	Conducted power (dBm)			Target Power + Max. Tolerance (dBm)	MPR Allowed per 3GPP(dB)
Frequency (MHz)				819	831.5	844		
Channel				26740	26865	26990		
10	QPSK	1	0	19.37	19.50	19.49	20.00	0
		1	25	19.25	19.34	19.55	20.00	0
		1	49	19.32	19.35	19.36	20.00	0
		25	0	18.23	18.29	18.46	19.00	1
		25	12	18.34	18.38	18.49	19.00	1
		25	25	18.29	18.43	18.46	19.00	1
10	16-QAM	50	0	18.19	18.32	18.46	19.00	1
		1	0	18.17	18.42	18.48	19.00	1
		1	25	18.17	18.35	18.48	19.00	1
		1	49	18.21	18.35	18.46	19.00	1
		25	0	17.25	17.33	17.43	18.00	2
		25	12	17.24	17.37	17.55	18.00	2
10	64-QAM	25	25	17.32	17.47	17.55	18.00	2
		50	0	17.36	17.37	17.39	18.00	2
		1	0	17.33	17.41	17.41	18.00	2
		1	25	17.37	17.47	17.47	18.00	2
		1	49	17.33	17.33	17.51	18.00	2
		25	0	16.13	16.42	16.53	17.00	3
10	256-QAM	25	12	16.33	16.47	16.41	17.00	3
		25	25	16.21	16.47	16.45	17.00	3
		50	0	16.21	16.42	16.50	17.00	3
		1	0	16.34	16.39	16.40	17.00	3
		1	25	16.31	16.35	16.55	17.00	3
		1	49	16.23	16.47	16.41	17.00	3
10	256-QAM	25	0	15.33	15.42	15.53	16.00	4
		25	12	15.35	15.39	15.46	16.00	4
		25	25	15.29	15.33	15.40	16.00	4
		50	0	15.27	15.37	15.38	16.00	4

Unless otherwise stated the results shown in this test report refer only to the sample(s) tested and such sample(s) are retained for 90 days only.

除非另有說明，此報告結果僅對測試之樣品負責，同時此樣品僅保留90天。本報告未經本公司書面許可，不可部份複製。

This document is issued by the Company subject to its General Conditions of Service printed overleaf, available on request or accessible at <http://www.sgs.com.tw/Terms-and-Conditions> and for electronic format documents, subject to Terms and Conditions for Electronic Documents at <http://www.sgs.com.tw/Terms-and-Conditions>. Attention is drawn to the limitation of liability, indemnification and jurisdiction issues defined therein. Any holder of this document is advised that information contained hereon reflects the Company's findings at the time of its intervention only and within the limits of Client's instructions, if any. The Company's sole responsibility is to its Client and this document does not exonerate parties to a transaction from exercising all their rights and obligations under the transaction documents. This document cannot be reproduced except in full, without prior written approval of the Company. Any unauthorized alteration, forgery or falsification of the content or appearance of this document is unlawful and offenders may be prosecuted to the fullest extent of the law.

LTE Band 26_FCC								
BW(MHz)	Modulation	RB Size	RB Offset	Conducted power (dBm)			Target Power + Max. Tolerance (dBm)	MPR Allowed per 3GPP(dB)
Frequency (MHz)				816.5	831.5	846.5		
Channel				26715	26865	27015		
5	QPSK	1	0	19.34	19.45	19.52	20.00	0
		1	12	19.24	19.41	19.48	20.00	0
		1	24	19.25	19.40	19.48	20.00	0
		12	0	18.29	18.43	18.34	19.00	1
		12	6	18.17	18.43	18.48	19.00	1
		12	13	18.33	18.31	18.41	19.00	1
5	16-QAM	25	0	18.23	18.40	18.47	19.00	1
		1	0	18.24	18.33	18.38	19.00	1
		1	12	18.21	18.28	18.44	19.00	1
		1	24	18.20	18.51	18.34	19.00	1
		12	0	17.22	17.44	17.55	18.00	2
		12	6	17.24	17.29	17.55	18.00	2
5	64-QAM	12	13	17.27	17.41	17.55	18.00	2
		25	0	17.27	17.46	17.46	18.00	2
		1	0	17.22	17.43	17.49	18.00	2
		1	12	17.16	17.37	17.51	18.00	2
		1	24	17.36	17.41	17.46	18.00	2
		12	0	16.19	16.43	16.48	17.00	3
5	256-QAM	12	6	16.36	16.47	16.46	17.00	3
		12	13	16.37	16.39	16.44	17.00	3
		25	0	16.21	16.45	16.39	17.00	3
		1	0	16.19	16.28	16.48	17.00	3
		1	12	16.28	16.37	16.48	17.00	3
		1	24	16.30	16.42	16.50	17.00	3
3	QPSK	12	0	15.29	15.41	15.39	16.00	4
		12	6	15.28	15.37	15.54	16.00	4
		12	13	15.30	15.37	15.41	16.00	4
		25	0	15.29	15.50	15.51	16.00	4
		1	0	19.29	19.38	19.47	20.00	0
		1	7	19.41	19.50	19.53	20.00	0
3	16-QAM	1	14	19.30	19.47	19.41	20.00	0
		8	0	18.21	18.35	18.48	19.00	1
		8	4	18.29	18.31	18.54	19.00	1
		8	7	18.29	18.48	18.36	19.00	1
		15	0	18.36	18.33	18.46	19.00	1
		1	0	18.15	18.43	18.49	19.00	1
3	64-QAM	1	7	18.29	18.27	18.41	19.00	1
		1	14	18.31	18.38	18.46	19.00	1
		8	0	17.31	17.43	17.45	18.00	2
		8	4	17.18	17.29	17.51	18.00	2
		8	7	17.31	17.53	17.35	18.00	2
		15	0	17.23	17.40	17.56	18.00	2
3	256-QAM	1	0	17.27	17.36	17.39	18.00	2
		1	7	17.23	17.45	17.50	18.00	2
		1	14	17.28	17.43	17.45	18.00	2
		8	0	16.27	16.40	16.45	17.00	3
		8	4	16.24	16.42	16.34	17.00	3
		8	7	16.15	16.50	16.45	17.00	3
3	QPSK	15	0	16.16	16.32	16.46	17.00	3
		1	0	16.27	16.41	16.38	17.00	3
		1	7	16.28	16.40	16.54	17.00	3
		1	14	16.22	16.37	16.39	17.00	3
		8	0	15.15	15.29	15.49	16.00	4
		8	4	15.30	15.38	15.42	16.00	4
3	16-QAM	8	7	15.29	15.34	15.47	16.00	4
		8	0	15.27	15.32	15.49	16.00	4

Unless otherwise stated the results shown in this test report refer only to the sample(s) tested and such sample(s) are retained for 90 days only.

除非另有說明，此報告結果僅對測試之樣品負責，同時此樣品僅保留90天。本報告未經本公司書面許可，不可部份複製。

This document is issued by the Company subject to its General Conditions of Service printed overleaf, available on request or accessible at <http://www.sgs.com.tw/Terms-and-Conditions> and for electronic format documents, subject to Terms and Conditions for Electronic Documents at <http://www.sgs.com.tw/Terms-and-Conditions>. Attention is drawn to the limitation of liability, indemnification and jurisdiction issues defined therein. Any holder of this document is advised that information contained hereon reflects the Company's findings at the time of its intervention only and within the limits of Client's instructions, if any. The Company's sole responsibility is to its Client and this document does not exonerate parties to a transaction from exercising all their rights and obligations under the transaction documents. This document cannot be reproduced except in full, without prior written approval of the Company. Any unauthorized alteration, forgery or falsification of the content or appearance of this document is unlawful and offenders may be prosecuted to the fullest extent of the law.

LTE Band 26_FCC								
BW(MHz)	Modulation	RB Size	RB Offset	Conducted power (dBm)			Target Power + Max. Tolerance (dBm)	MPR Allowed per 3GPP(dB)
Frequency (MHz)				814.7	831.5	848.3		
Channel				26697	26865	27033		
1.4	QPSK	1	0	19.09	19.25	19.21	20.00	0
		1	2	19.05	19.27	19.34	20.00	0
		1	5	19.03	19.31	19.13	20.00	0
		3	0	18.99	19.34	19.26	20.00	0
		3	2	19.05	19.26	19.26	20.00	0
		3	3	19.08	19.29	19.22	20.00	0
1.4	16-QAM	6	0	18.05	18.23	18.22	19.00	1
		1	0	18.02	18.32	18.20	19.00	1
		1	2	18.08	18.20	18.19	19.00	1
		1	5	18.02	18.33	18.19	19.00	1
		3	0	18.17	18.24	18.22	19.00	1
		3	2	18.03	18.17	18.25	19.00	1
1.4	64-QAM	3	3	18.09	18.36	18.22	19.00	1
		6	0	17.09	17.31	17.24	18.00	2
		1	0	17.05	17.25	17.35	18.00	2
		1	2	17.10	17.15	17.20	18.00	2
		1	5	16.99	17.24	17.11	18.00	2
		3	0	17.09	17.28	17.24	18.00	2
1.4	256-QAM	3	2	17.13	17.29	17.13	18.00	2
		3	3	17.10	17.25	17.11	18.00	2
		6	0	16.16	16.28	16.36	17.00	3
		1	0	16.00	16.36	16.26	17.00	3
		1	2	16.04	16.28	16.32	17.00	3
		1	5	16.01	16.29	16.25	17.00	3
1.4	256-QAM	3	0	16.05	16.30	16.25	17.00	3
		3	2	16.02	16.28	16.27	17.00	3
		3	3	16.05	16.33	16.17	17.00	3
		6	0	15.04	15.22	15.24	16.00	4

LTE Band 30								
BW(MHz)	Modulation	RB Size	RB Offset	Conducted power (dBm)			Target Power + Max. Tolerance (dBm)	MPR Allowed per 3GPP(dB)
Frequency (MHz)				2310	2310	2310		
Channel				27710	27710	27710		
10	QPSK	1	0	17.68	17.54	17.59	18.00	0
		1	25	17.63	17.40	17.52	18.00	0
		1	49	17.63	17.27	17.46	18.00	0
		25	0	16.65	16.37	16.45	17.00	1
		25	12	16.64	16.29	16.42	17.00	1
		25	25	16.61	16.38	16.39	17.00	1
		50	0	16.54	16.39	16.41	17.00	1
10	16-QAM	1	0	16.44	16.46	16.48	17.00	1
		1	25	16.43	16.41	16.42	17.00	1
		1	49	16.49	16.34	16.47	17.00	1
		25	0	15.60	15.36	15.35	16.00	2
		25	12	15.43	15.42	15.45	16.00	2
10	64-QAM	25	25	15.47	15.40	15.43	16.00	2
		50	0	15.50	15.45	15.43	16.00	2
		1	0	15.62	15.40	15.45	16.00	2
		1	25	15.58	15.37	15.45	16.00	2
		1	49	15.51	15.38	15.49	16.00	2
10	256-QAM	25	0	14.60	14.41	14.38	15.00	3
		25	12	14.38	14.32	14.39	15.00	3
		25	25	14.56	14.28	14.37	15.00	3
		50	0	14.49	14.45	14.33	15.00	3
		1	0	14.53	14.37	14.43	15.00	3
10	256-QAM	1	25	14.54	14.29	14.30	15.00	3
		1	49	14.44	14.28	14.46	15.00	3
		25	0	13.49	13.36	13.55	14.00	4
		25	12	13.49	13.44	13.44	14.00	4
		25	25	13.48	13.35	13.43	14.00	4
50	0	13.55	13.28	13.46	14.00	4		

Unless otherwise stated the results shown in this test report refer only to the sample(s) tested and such sample(s) are retained for 90 days only.

除非另有說明，此報告結果僅對測試之樣品負責，同時此樣品僅保留90天。本報告未經本公司書面許可，不可部份複製。

This document is issued by the Company subject to its General Conditions of Service printed overleaf, available on request or accessible at <http://www.sgs.com.tw/Terms-and-Conditions> and for electronic format documents, subject to Terms and Conditions for Electronic Documents at <http://www.sgs.com.tw/Terms-and-Conditions>. Attention is drawn to the limitation of liability, indemnification and jurisdiction issues defined therein. Any holder of this document is advised that information contained hereon reflects the Company's findings at the time of its intervention only and within the limits of Client's instructions, if any. The Company's sole responsibility is to its Client and this document does not exonerate parties to a transaction from exercising all their rights and obligations under the transaction documents. This document cannot be reproduced except in full, without prior written approval of the Company. Any unauthorized alteration, forgery or falsification of the content or appearance of this document is unlawful and offenders may be prosecuted to the fullest extent of the law.

LTE Band 30								
BW(MHz)	Modulation	RB Size	RB Offset	Conducted power (dBm)			Target Power + Max. Tolerance (dBm)	MPR Allowed per 3GPP(dB)
Frequency (MHz)				2307.5	2310	2312.5		
Channel				27685	27710	27735		
5	QPSK	1	0	17.54	17.40	17.43	18.00	0
		1	12	17.57	17.32	17.44	18.00	0
		1	24	17.43	17.35	17.46	18.00	0
		12	0	16.65	16.40	16.41	17.00	1
		12	6	16.52	16.36	16.48	17.00	1
		12	13	16.51	16.37	16.56	17.00	1
5	16-QAM	25	0	16.47	16.42	16.43	17.00	1
		1	0	16.47	16.38	16.36	17.00	1
		1	12	16.52	16.40	16.48	17.00	1
		1	24	16.53	16.35	16.37	17.00	1
		12	0	15.47	15.46	15.48	16.00	2
		12	6	15.46	15.27	15.33	16.00	2
5	64-QAM	12	13	15.45	15.45	15.35	16.00	2
		25	0	15.57	15.47	15.46	16.00	2
		1	0	15.52	15.37	15.33	16.00	2
		1	12	15.56	15.50	15.50	16.00	2
		1	24	15.47	15.29	15.42	16.00	2
		12	0	14.47	14.33	14.48	15.00	3
5	256-QAM	12	6	14.55	14.30	14.47	15.00	3
		12	13	14.48	14.31	14.54	15.00	3
		25	0	14.50	14.34	14.50	15.00	3
		1	0	14.44	14.45	14.36	15.00	3
		1	12	14.47	14.38	14.41	15.00	3
		1	24	14.57	14.32	14.42	15.00	3
5	256-QAM	12	0	13.55	13.47	13.41	14.00	4
		12	6	13.57	13.26	13.47	14.00	4
		12	13	13.54	13.41	13.42	14.00	4
		25	0	13.63	13.37	13.46	14.00	4

LTE Band 66								
BW(MHz)	Modulation	RB Size	RB Offset	Conducted power (dBm)			Target Power + Max. Tolerance (dBm)	MPR Allowed per 3GPP(dB)
Frequency (MHz)				1720	1745	1770		
Channel				132072	132322	132572		
20	QPSK	1	0	19.78	19.88	19.82	20.00	0
		1	50	19.51	19.72	19.68	20.00	0
		1	99	19.67	19.83	19.65	20.00	0
		50	0	18.64	18.83	18.57	19.00	1
		50	25	18.56	18.75	18.65	19.00	1
		50	50	18.61	18.80	18.66	19.00	1
		100	0	18.66	18.78	18.62	19.00	1
20	16-QAM	1	0	18.65	18.78	18.71	19.00	1
		1	50	18.65	18.73	18.65	19.00	1
		1	99	18.64	18.77	18.63	19.00	1
		50	0	17.53	17.66	17.67	18.00	2
		50	25	17.56	17.79	17.70	18.00	2
		50	50	17.63	17.71	17.76	18.00	2
20	64-QAM	100	0	17.55	17.63	17.64	18.00	2
		1	0	17.72	17.80	17.75	18.00	2
		1	50	17.63	17.74	17.65	18.00	2
		1	99	17.50	17.65	17.74	18.00	2
		50	0	16.62	16.77	16.75	17.00	3
		50	25	16.63	16.74	16.64	17.00	3
20	256-QAM	50	50	16.70	16.59	16.62	17.00	3
		100	0	16.65	16.61	16.67	17.00	3
		1	0	16.55	16.71	16.69	17.00	3
		1	50	16.61	16.65	16.62	17.00	3
		1	99	16.62	16.64	16.64	17.00	3
		50	0	15.59	15.74	15.61	16.00	4
20	256-QAM	50	25	15.64	15.79	15.74	16.00	4
		50	50	15.69	15.75	15.67	16.00	4
		100	0	15.56	15.76	15.72	16.00	4

Unless otherwise stated the results shown in this test report refer only to the sample(s) tested and such sample(s) are retained for 90 days only.

除非另有說明，此報告結果僅對測試之樣品負責，同時此樣品僅保留90天。本報告未經本公司書面許可，不可部份複製。

This document is issued by the Company subject to its General Conditions of Service printed overleaf, available on request or accessible at <http://www.sgs.com.tw/Terms-and-Conditions> and for electronic format documents, subject to Terms and Conditions for Electronic Documents at <http://www.sgs.com.tw/Terms-and-Conditions>. Attention is drawn to the limitation of liability, indemnification and jurisdiction issues defined therein. Any holder of this document is advised that information contained hereon reflects the Company's findings at the time of its intervention only and within the limits of Client's instructions, if any. The Company's sole responsibility is to its Client and this document does not exonerate parties to a transaction from exercising all their rights and obligations under the transaction documents. This document cannot be reproduced except in full, without prior written approval of the Company. Any unauthorized alteration, forgery or falsification of the content or appearance of this document is unlawful and offenders may be prosecuted to the fullest extent of the law.

LTE Band 66								
BW(MHz)	Modulation	RB Size	RB Offset	Conducted power (dBm)			Target Power + Max. Tolerance (dBm)	MPR Allowed per 3GPP(dB)
Frequency (MHz)				1717.5	1745	1772.5		
Channel				132047	132322	132597		
15	QPSK	1	0	19.55	19.60	19.73	20.00	0
		1	36	19.60	19.63	19.65	20.00	0
		1	74	19.53	19.67	19.61	20.00	0
		36	0	18.64	18.75	18.67	19.00	1
		36	18	18.63	18.75	18.57	19.00	1
		36	37	18.57	18.84	18.72	19.00	1
		75	0	18.60	18.74	18.58	19.00	1
15	16-QAM	1	0	18.55	18.68	18.54	19.00	1
		1	36	18.53	18.70	18.68	19.00	1
		1	74	18.53	18.72	18.67	19.00	1
		36	0	17.51	17.81	17.78	18.00	2
		36	18	17.54	17.69	17.66	18.00	2
		36	37	17.58	17.69	17.60	18.00	2
		75	0	17.62	17.78	17.66	18.00	2
15	64-QAM	1	0	17.60	17.69	17.66	18.00	2
		1	36	17.60	17.73	17.70	18.00	2
		1	74	17.71	17.75	17.64	18.00	2
		36	0	16.59	16.76	16.61	17.00	3
		36	18	16.57	16.81	16.72	17.00	3
		36	37	16.58	16.81	16.58	17.00	3
		75	0	16.64	16.71	16.57	17.00	3
15	256-QAM	1	0	16.72	16.75	16.53	17.00	3
		1	36	16.63	16.83	16.66	17.00	3
		1	74	16.66	16.73	16.71	17.00	3
		36	0	15.69	15.72	15.65	16.00	4
		36	18	15.62	15.81	15.63	16.00	4
		36	37	15.76	15.66	15.64	16.00	4
		75	0	15.56	15.67	15.67	16.00	4
LTE Band 66								
BW(MHz)	Modulation	RB Size	RB Offset	Conducted power (dBm)			Target Power + Max. Tolerance (dBm)	MPR Allowed per 3GPP(dB)
Frequency (MHz)				1715	1745	1775		
Channel				132022	132322	132622		
10	QPSK	1	0	19.64	19.74	19.67	20.00	0
		1	25	19.57	19.73	19.65	20.00	0
		1	49	19.69	19.80	19.68	20.00	0
		25	0	18.56	18.76	18.69	19.00	1
		25	12	18.59	18.74	18.64	19.00	1
		25	25	18.57	18.69	18.62	19.00	1
		50	0	18.52	18.74	18.54	19.00	1
10	16-QAM	1	0	18.56	18.67	18.72	19.00	1
		1	25	18.62	18.78	18.57	19.00	1
		1	49	18.68	18.76	18.58	19.00	1
		25	0	17.61	17.75	17.76	18.00	2
		25	12	17.62	17.65	17.70	18.00	2
		25	25	17.56	17.70	17.55	18.00	2
		50	0	17.75	17.66	17.67	18.00	2
10	64-QAM	1	0	17.66	17.71	17.67	18.00	2
		1	25	17.54	17.69	17.56	18.00	2
		1	49	17.53	17.73	17.66	18.00	2
		25	0	16.66	16.66	16.57	17.00	3
		25	12	16.59	16.71	16.66	17.00	3
		25	25	16.66	16.75	16.70	17.00	3
		50	0	16.54	16.70	16.76	17.00	3
10	256-QAM	1	0	16.66	16.78	16.63	17.00	3
		1	25	16.64	16.82	16.71	17.00	3
		1	49	16.68	16.75	16.67	17.00	3
		25	0	15.66	15.75	15.56	16.00	4
		25	12	15.71	15.70	15.65	16.00	4
		25	25	15.67	15.74	15.57	16.00	4
		50	0	15.61	15.71	15.56	16.00	4

Unless otherwise stated the results shown in this test report refer only to the sample(s) tested and such sample(s) are retained for 90 days only.

除非另有說明，此報告結果僅對測試之樣品負責，同時此樣品僅保留90天。本報告未經本公司書面許可，不可部份複製。

This document is issued by the Company subject to its General Conditions of Service printed overleaf, available on request or accessible at <http://www.sgs.com.tw/Terms-and-Conditions> and for electronic format documents, subject to Terms and Conditions for Electronic Documents at <http://www.sgs.com.tw/Terms-and-Conditions>. Attention is drawn to the limitation of liability, indemnification and jurisdiction issues defined therein. Any holder of this document is advised that information contained hereon reflects the Company's findings at the time of its intervention only and within the limits of Client's instructions, if any. The Company's sole responsibility is to its Client and this document does not exonerate parties to a transaction from exercising all their rights and obligations under the transaction documents. This document cannot be reproduced except in full, without prior written approval of the Company. Any unauthorized alteration, forgery or falsification of the content or appearance of this document is unlawful and offenders may be prosecuted to the fullest extent of the law.

LTE Band 66								
BW(MHz)	Modulation	RB Size	RB Offset	Conducted power (dBm)			Target Power + Max. Tolerance (dBm)	MPR Allowed per 3GPP(dB)
Frequency (MHz)				1712.5	1745	1777.5		
Channel				131997	132322	132647		
5	QPSK	1	0	19.64	19.76	19.56	20.00	0
		1	12	19.63	19.77	19.68	20.00	0
		1	24	19.69	19.79	19.54	20.00	0
		12	0	18.56	18.74	18.73	19.00	1
		12	6	18.62	18.67	18.73	19.00	1
		12	13	18.62	18.67	18.66	19.00	1
5	16-QAM	25	0	18.62	18.80	18.65	19.00	1
		1	0	18.64	18.78	18.68	19.00	1
		1	12	18.61	18.86	18.67	19.00	1
		1	24	18.54	18.58	18.59	19.00	1
		12	0	17.61	17.77	17.62	18.00	2
		12	6	17.67	17.72	17.66	18.00	2
5	64-QAM	12	13	17.63	17.76	17.79	18.00	2
		25	0	17.71	17.77	17.73	18.00	2
		1	0	17.59	17.74	17.56	18.00	2
		1	12	17.66	17.72	17.59	18.00	2
		1	24	17.62	17.59	17.69	18.00	2
		12	0	16.62	16.70	16.76	17.00	3
5	256-QAM	12	6	16.67	16.75	16.72	17.00	3
		12	13	16.56	16.72	16.69	17.00	3
		25	0	16.61	16.76	16.59	17.00	3
		1	0	16.72	16.64	16.66	17.00	3
		1	12	16.70	16.84	16.63	17.00	3
		1	24	16.62	16.66	16.69	17.00	3
5	256-QAM	12	0	15.57	15.76	15.65	16.00	4
		12	6	15.59	15.84	15.67	16.00	4
		12	13	15.54	15.66	15.59	16.00	4
		25	0	15.52	15.63	15.63	16.00	4

LTE Band 66								
BW(MHz)	Modulation	RB Size	RB Offset	Conducted power (dBm)			Target Power + Max. Tolerance (dBm)	MPR Allowed per 3GPP(dB)
Frequency (MHz)				1711.5	1745	1778.5		
Channel				131987	132322	132657		
3	QPSK	1	0	19.60	19.74	19.67	20.00	0
		1	7	19.56	19.80	19.79	20.00	0
		1	14	19.58	19.64	19.57	20.00	0
		8	0	18.53	18.74	18.68	19.00	1
		8	4	18.69	18.67	18.58	19.00	1
		8	7	18.70	18.69	18.56	19.00	1
		15	0	18.62	18.84	18.54	19.00	1
3	16-QAM	1	0	18.58	18.79	18.68	19.00	1
		1	7	18.54	18.74	18.63	19.00	1
		1	14	18.61	18.61	18.63	19.00	1
		8	0	17.63	17.81	17.56	18.00	2
		8	4	17.71	17.61	17.57	18.00	2
		8	7	17.74	17.82	17.56	18.00	2
3	64-QAM	15	0	17.53	17.77	17.54	18.00	2
		1	0	17.59	17.68	17.67	18.00	2
		1	7	17.60	17.69	17.71	18.00	2
		1	14	17.63	17.66	17.70	18.00	2
		8	0	16.67	16.69	16.60	17.00	3
		8	4	16.53	16.64	16.66	17.00	3
3	256-QAM	8	7	16.52	16.70	16.66	17.00	3
		15	0	16.62	16.73	16.68	17.00	3
		1	0	16.58	16.65	16.64	17.00	3
		1	7	16.58	16.73	16.71	17.00	3
		1	14	16.54	16.77	16.66	17.00	3
		8	0	15.64	15.65	15.58	16.00	4
3	256-QAM	8	4	15.63	15.60	15.68	16.00	4
		8	7	15.58	15.64	15.65	16.00	4
		15	0	15.56	15.73	15.66	16.00	4

Unless otherwise stated the results shown in this test report refer only to the sample(s) tested and such sample(s) are retained for 90 days only.

除非另有說明，此報告結果僅對測試之樣品負責，同時此樣品僅保留90天。本報告未經本公司書面許可，不可部份複製。

This document is issued by the Company subject to its General Conditions of Service printed overleaf, available on request or accessible at <http://www.sgs.com.tw/Terms-and-Conditions> and for electronic format documents, subject to Terms and Conditions for Electronic Documents at <http://www.sgs.com.tw/Terms-and-Conditions>. Attention is drawn to the limitation of liability, indemnification and jurisdiction issues defined therein. Any holder of this document is advised that information contained hereon reflects the Company's findings at the time of its intervention only and within the limits of Client's instructions, if any. The Company's sole responsibility is to its Client and this document does not exonerate parties to a transaction from exercising all their rights and obligations under the transaction documents. This document cannot be reproduced except in full, without prior written approval of the Company. Any unauthorized alteration, forgery or falsification of the content or appearance of this document is unlawful and offenders may be prosecuted to the fullest extent of the law.

LTE Band 66								
BW(MHz)	Modulation	RB Size	RB Offset	Conducted power (dBm)			Target Power + Max. Tolerance (dBm)	MPR Allowed per 3GPP(dB)
Frequency (MHz)				1710.7	1745	1779.3		
Channel				131979	132322	132665		
1.4	QPSK	1	0	19.57	19.84	19.55	20.00	0
		1	2	19.73	19.69	19.73	20.00	0
		1	5	19.69	19.72	19.72	20.00	0
		3	0	19.53	19.72	19.65	20.00	0
		3	2	19.58	19.70	19.55	20.00	0
		3	3	19.60	19.69	19.65	20.00	0
1.4	16-QAM	6	0	18.73	18.64	18.70	19.00	1
		1	0	18.65	18.65	18.61	19.00	1
		1	2	18.62	18.69	18.75	19.00	1
		1	5	18.57	18.68	18.68	19.00	1
		3	0	18.53	18.86	18.59	19.00	1
		3	2	18.67	18.74	18.57	19.00	1
1.4	64-QAM	3	3	18.52	18.73	18.63	19.00	1
		6	0	17.70	17.83	17.70	18.00	2
		1	0	17.56	17.80	17.65	18.00	2
		1	2	17.59	17.65	17.62	18.00	2
		1	5	17.64	17.73	17.65	18.00	2
		3	0	17.73	17.79	17.73	18.00	2
1.4	256-QAM	3	2	17.55	17.73	17.65	18.00	2
		3	3	17.63	17.76	17.61	18.00	2
		6	0	16.62	16.67	16.66	17.00	3
		1	0	16.72	16.81	16.62	17.00	3
		1	2	16.56	16.67	16.72	17.00	3
		1	5	16.64	16.79	16.67	17.00	3
1.4	256-QAM	3	0	16.65	16.78	16.66	17.00	3
		3	2	16.59	16.68	16.64	17.00	3
		3	3	16.67	16.79	16.70	17.00	3
		6	0	15.69	15.84	15.71	16.00	4

LTE Band 71								
BW(MHz)	Modulation	RB Size	RB Offset	Conducted power (dBm)			Target Power + Max. Tolerance (dBm)	MPR Allowed per 3GPP(dB)
Frequency (MHz)				673	680.5	688		
Channel				133222	133297	133372		
20	QPSK	1	0	19.59	19.64	19.61	20.00	0
		1	50	19.43	19.58	19.41	20.00	0
		1	99	19.48	19.38	19.54	20.00	0
		50	0	18.45	18.42	18.39	19.00	1
		50	25	18.38	18.47	18.52	19.00	1
		50	50	18.47	18.49	18.39	19.00	1
		100	0	18.49	18.59	18.44	19.00	1
20	16-QAM	1	0	18.43	18.42	18.41	19.00	1
		1	50	18.38	18.52	18.43	19.00	1
		1	99	18.38	18.36	18.40	19.00	1
		50	0	17.31	17.51	17.49	18.00	2
		50	25	17.37	17.46	17.57	18.00	2
		50	50	17.53	17.50	17.36	18.00	2
20	64-QAM	100	0	17.44	17.38	17.56	18.00	2
		1	0	17.37	17.52	17.36	18.00	2
		1	50	17.48	17.55	17.51	18.00	2
		1	99	17.43	17.40	17.49	18.00	2
		50	0	16.50	16.41	16.48	17.00	3
		50	25	16.30	16.51	16.49	17.00	3
20	256-QAM	50	50	16.36	16.55	16.43	17.00	3
		100	0	16.35	16.47	16.41	17.00	3
		1	0	16.43	16.55	16.47	17.00	3
		1	50	16.42	16.47	16.53	17.00	3
		1	99	16.36	16.44	16.48	17.00	3
		50	0	15.42	15.51	15.51	16.00	4
20	256-QAM	50	25	15.46	15.62	15.36	16.00	4
		50	50	15.40	15.42	15.55	16.00	4
		100	0	15.51	15.49	15.50	16.00	4

Unless otherwise stated the results shown in this test report refer only to the sample(s) tested and such sample(s) are retained for 90 days only.

除非另有說明，此報告結果僅對測試之樣品負責，同時此樣品僅保留90天。本報告未經本公司書面許可，不可部份複製。

This document is issued by the Company subject to its General Conditions of Service printed overleaf, available on request or accessible at <http://www.sgs.com.tw/Terms-and-Conditions> and for electronic format documents, subject to Terms and Conditions for Electronic Documents at <http://www.sgs.com.tw/Terms-and-Conditions>. Attention is drawn to the limitation of liability, indemnification and jurisdiction issues defined therein. Any holder of this document is advised that information contained hereon reflects the Company's findings at the time of its intervention only and within the limits of Client's instructions, if any. The Company's sole responsibility is to its Client and this document does not exonerate parties to a transaction from exercising all their rights and obligations under the transaction documents. This document cannot be reproduced except in full, without prior written approval of the Company. Any unauthorized alteration, forgery or falsification of the content or appearance of this document is unlawful and offenders may be prosecuted to the fullest extent of the law.

LTE Band 71								
BW(MHz)	Modulation	RB Size	RB Offset	Conducted power (dBm)			Target Power + Max. Tolerance (dBm)	MPR Allowed per 3GPP(dB)
Frequency (MHz)				670.5	680.5	690.5		
Channel				133197	133297	133397		
15	QPSK	1	0	19.38	19.49	19.47	20.00	0
		1	36	19.46	19.46	19.40	20.00	0
		1	74	19.45	19.50	19.53	20.00	0
		36	0	18.40	18.45	18.48	19.00	1
		36	18	18.48	18.50	18.44	19.00	1
		36	37	18.46	18.43	18.44	19.00	1
		75	0	18.37	18.48	18.40	19.00	1
15	16-QAM	1	0	18.48	18.48	18.44	19.00	1
		1	36	18.44	18.42	18.51	19.00	1
		1	74	18.40	18.46	18.49	19.00	1
		36	0	17.31	17.53	17.50	18.00	2
		36	18	17.44	17.53	17.35	18.00	2
		36	37	17.38	17.61	17.51	18.00	2
		75	0	17.46	17.58	17.58	18.00	2
15	64-QAM	1	0	17.36	17.48	17.47	18.00	2
		1	36	17.48	17.46	17.43	18.00	2
		1	74	17.46	17.42	17.50	18.00	2
		36	0	16.44	16.54	16.59	17.00	3
		36	18	16.43	16.37	16.50	17.00	3
		36	37	16.35	16.49	16.47	17.00	3
		75	0	16.53	16.43	16.38	17.00	3
15	256-QAM	1	0	16.51	16.43	16.42	17.00	3
		1	36	16.50	16.59	16.41	17.00	3
		1	74	16.39	16.50	16.37	17.00	3
		36	0	15.43	15.49	15.52	16.00	4
		36	18	15.44	15.39	15.46	16.00	4
		36	37	15.55	15.48	15.45	16.00	4
		75	0	15.43	15.42	15.48	16.00	4
LTE Band 71								
BW(MHz)	Modulation	RB Size	RB Offset	Conducted power (dBm)			Target Power + Max. Tolerance (dBm)	MPR Allowed per 3GPP(dB)
Frequency (MHz)				668	680.5	693		
Channel				133172	133297	133422		
10	QPSK	1	0	19.51	19.52	19.41	20.00	0
		1	25	19.38	19.54	19.45	20.00	0
		1	49	19.40	19.62	19.50	20.00	0
		25	0	18.49	18.50	18.39	19.00	1
		25	12	18.44	18.54	18.59	19.00	1
		25	25	18.41	18.49	18.43	19.00	1
		50	0	18.34	18.51	18.49	19.00	1
10	16-QAM	1	0	18.42	18.37	18.49	19.00	1
		1	25	18.46	18.44	18.49	19.00	1
		1	49	18.37	18.42	18.34	19.00	1
		25	0	17.49	17.54	17.42	18.00	2
		25	12	17.39	17.52	17.41	18.00	2
		25	25	17.46	17.56	17.48	18.00	2
		50	0	17.35	17.50	17.41	18.00	2
10	64-QAM	1	0	17.41	17.38	17.54	18.00	2
		1	25	17.47	17.50	17.37	18.00	2
		1	49	17.53	17.47	17.37	18.00	2
		25	0	16.43	16.53	16.52	17.00	3
		25	12	16.45	16.39	16.34	17.00	3
		25	25	16.40	16.52	16.49	17.00	3
		50	0	16.45	16.40	16.47	17.00	3
10	256-QAM	1	0	16.36	16.51	16.49	17.00	3
		1	25	16.55	16.51	16.45	17.00	3
		1	49	16.52	16.39	16.51	17.00	3
		25	0	15.49	15.50	15.40	16.00	4
		25	12	15.41	15.50	15.52	16.00	4
		25	25	15.39	15.45	15.45	16.00	4
		50	0	15.48	15.46	15.37	16.00	4

Unless otherwise stated the results shown in this test report refer only to the sample(s) tested and such sample(s) are retained for 90 days only.

除非另有說明，此報告結果僅對測試之樣品負責，同時此樣品僅保留90天。本報告未經本公司書面許可，不可部份複製。

This document is issued by the Company subject to its General Conditions of Service printed overleaf, available on request or accessible at <http://www.sgs.com.tw/Terms-and-Conditions> and for electronic format documents, subject to Terms and Conditions for Electronic Documents at <http://www.sgs.com.tw/Terms-and-Conditions>. Attention is drawn to the limitation of liability, indemnification and jurisdiction issues defined therein. Any holder of this document is advised that information contained hereon reflects the Company's findings at the time of its intervention only and within the limits of Client's instructions, if any. The Company's sole responsibility is to its Client and this document does not exonerate parties to a transaction from exercising all their rights and obligations under the transaction documents. This document cannot be reproduced except in full, without prior written approval of the Company. Any unauthorized alteration, forgery or falsification of the content or appearance of this document is unlawful and offenders may be prosecuted to the fullest extent of the law.

LTE Band 71								
BW(MHz)	Modulation	RB Size	RB Offset	Conducted power (dBm)			Target Power + Max. Tolerance (dBm)	MPR Allowed per 3GPP(dB)
Frequency (MHz)				665.5	680.5	695.5		
Channel				133147	133297	133447		
5	QPSK	1	0	19.44	19.47	19.46	20.00	0
		1	12	19.35	19.53	19.44	20.00	0
		1	24	19.44	19.58	19.46	20.00	0
		12	0	18.46	18.42	18.47	19.00	1
		12	6	18.48	18.48	18.35	19.00	1
		12	13	18.39	18.48	18.58	19.00	1
5	16-QAM	25	0	18.42	18.60	18.48	19.00	1
		1	0	18.41	18.46	18.32	19.00	1
		1	12	18.44	18.55	18.50	19.00	1
		1	24	18.56	18.40	18.46	19.00	1
		12	0	17.44	17.54	17.31	18.00	2
		12	6	17.32	17.40	17.48	18.00	2
5	64-QAM	12	13	17.35	17.54	17.46	18.00	2
		25	0	17.51	17.42	17.46	18.00	2
		1	0	17.45	17.38	17.32	18.00	2
		1	12	17.40	17.49	17.48	18.00	2
		1	24	17.37	17.56	17.45	18.00	2
		12	0	16.48	16.43	16.42	17.00	3
5	256-QAM	12	6	16.41	16.57	16.46	17.00	3
		12	13	16.50	16.45	16.38	17.00	3
		25	0	16.43	16.37	16.46	17.00	3
		1	0	16.44	16.45	16.31	17.00	3
		1	12	16.57	16.53	16.35	17.00	3
		1	24	16.38	16.56	16.51	17.00	3
5	256-QAM	12	0	15.38	15.43	15.43	16.00	4
		12	6	15.35	15.46	15.48	16.00	4
		12	13	15.49	15.43	15.48	16.00	4
		25	0	15.39	15.40	15.48	16.00	4

Unless otherwise stated the results shown in this test report refer only to the sample(s) tested and such sample(s) are retained for 90 days only.

除非另有說明，此報告結果僅對測試之樣品負責，同時此樣品僅保留90天。本報告未經本公司書面許可，不可部份複製。

This document is issued by the Company subject to its General Conditions of Service printed overleaf, available on request or accessible at <http://www.sgs.com.tw/Terms-and-Conditions> and for electronic format documents, subject to Terms and Conditions for Electronic Documents at <http://www.sgs.com.tw/Terms-and-Conditions>. Attention is drawn to the limitation of liability, indemnification and jurisdiction issues defined therein. Any holder of this document is advised that information contained hereon reflects the Company's findings at the time of its intervention only and within the limits of Client's instructions, if any. The Company's sole responsibility is to its Client and this document does not exonerate parties to a transaction from exercising all their rights and obligations under the transaction documents. This document cannot be reproduced except in full, without prior written approval of the Company. Any unauthorized alteration, forgery or falsification of the content or appearance of this document is unlawful and offenders may be prosecuted to the fullest extent of the law.

5G NR n2_15kHz								
BW(MHz)	Modulation	RB Size	RB Offset	Conducted power (dBm)			Target Power + Max. Tolerance (dBm)	MPR Allowed per 3GPP(dB)
Frequency (MHz)				1860	1880	1900		
Channel				372000	376000	380000		
20	QPSK	1	1	21.59	21.72	21.68	22.00	0.0
		1	53	21.43	21.63	21.61	22.00	0.0
		1	104	21.51	21.53	21.62	22.00	0.0
		50	0	20.47	20.56	20.44	21.00	1.0
		50	28	21.41	21.65	21.49	22.00	0.0
		50	56	20.39	20.60	20.52	21.00	1.0
	100	0	20.51	20.56	20.49	21.00	1.0	
	16-QAM	1	1	20.50	20.54	20.49	21.00	1.0
	64QAM	1	1	18.90	19.08	18.98	19.50	2.5
256-QAM	1	1	16.92	17.04	17.07	17.50	4.5	
5G NR n2_15kHz								
BW(MHz)	Modulation	RB Size	RB Offset	Conducted power (dBm)			Target Power + Max. Tolerance (dBm)	MPR Allowed per 3GPP(dB)
Frequency (MHz)				1857.5	1880	1902.5		
Channel				371500	376000	380500		
15	QPSK	1	1	21.48	21.51	21.56	22.00	0.0
5G NR n2_15kHz								
BW(MHz)	Modulation	RB Size	RB Offset	Conducted power (dBm)			Target Power + Max. Tolerance (dBm)	MPR Allowed per 3GPP(dB)
Frequency (MHz)				1855	1880	1905		
Channel				371000	376000	381000		
10	QPSK	1	1	21.30	21.65	21.55	22.00	0.0
5G NR n2_15kHz								
BW(MHz)	Modulation	RB Size	RB Offset	Conducted power (dBm)			Target Power + Max. Tolerance (dBm)	MPR Allowed per 3GPP(dB)
Frequency (MHz)				1852.5	1880	1907.5		
Channel				370500	376000	381500		
5	QPSK	1	1	21.49	21.55	21.54	22.00	0.0
5G NR n5_15kHz								
Channel	Modulation	RB Size	RB Offset	Conducted power (dBm)			Target Power + Max. Tolerance (dBm)	MPR Allowed per 3GPP(dB)
Frequency (MHz)				834	836.5	839		
Channel				166800	167300	167800		
20	QPSK	1	1	21.88	21.98	21.95	22.00	0.0
		1	53	21.65	21.79	21.80	22.00	0.0
		1	104	21.75	21.81	21.86	22.00	0.0
		50	0	20.79	20.82	20.77	21.00	1.0
		50	28	21.73	21.87	21.78	22.00	0.0
		50	56	20.76	20.86	20.76	21.00	1.0
	100	0	20.78	20.71	20.82	21.00	1.0	
	16-QAM	1	1	20.75	20.84	20.72	21.00	1.0
	64QAM	1	1	19.13	19.37	19.31	19.50	2.5
256-QAM	1	1	17.11	17.29	17.25	17.50	4.5	

Unless otherwise stated the results shown in this test report refer only to the sample(s) tested and such sample(s) are retained for 90 days only.

除非另有說明，此報告結果僅對測試之樣品負責，同時此樣品僅保留90天。本報告未經本公司書面許可，不可部份複製。

This document is issued by the Company subject to its General Conditions of Service printed overleaf, available on request or accessible at <http://www.sgs.com.tw/Terms-and-Conditions> and for electronic format documents, subject to Terms and Conditions for Electronic Documents at <http://www.sgs.com.tw/Terms-and-Conditions>. Attention is drawn to the limitation of liability, indemnification and jurisdiction issues defined therein. Any holder of this document is advised that information contained hereon reflects the Company's findings at the time of its intervention only and within the limits of Client's instructions, if any. The Company's sole responsibility is to its Client and this document does not exonerate parties to a transaction from exercising all their rights and obligations under the transaction documents. This document cannot be reproduced except in full, without prior written approval of the Company. Any unauthorized alteration, forgery or falsification of the content or appearance of this document is unlawful and offenders may be prosecuted to the fullest extent of the law.

5G NR n5_15kHz								
BW(MHz)	Modulation	RB Size	RB Offset	Conducted power (dBm)			Target Power + Max. Tolerance (dBm)	MPR Allowed per 3GPP(dB)
Frequency (MHz)				831.5	836.5	841.5		
Channel				166300	167300	168300		
15	QPSK	1	1	21.62	21.78	21.82	22.00	0.0
5G NR n5_15kHz								
BW(MHz)	Modulation	RB Size	RB Offset	Conducted power (dBm)			Target Power + Max. Tolerance (dBm)	MPR Allowed per 3GPP(dB)
Frequency (MHz)				829	836.5	844		
Channel				165800	167300	168800		
10	QPSK	1	1	21.64	21.96	21.76	22.00	0.0
5G NR n5_15kHz								
BW(MHz)	Modulation	RB Size	RB Offset	Conducted power (dBm)			Target Power + Max. Tolerance (dBm)	MPR Allowed per 3GPP(dB)
Frequency (MHz)				826.5	836.5	846.5		
Channel				165300	167300	169300		
5	QPSK	1	1	21.79	21.87	21.69	22.00	0.0
5G NR n12_15kHz								
BW(MHz)	Modulation	RB Size	RB Offset	Conducted power (dBm)			Target Power + Max. Tolerance (dBm)	MPR Allowed per 3GPP(dB)
Frequency (MHz)				706.5	707.5	708.5		
Channel				141300	141500	141700		
15	QPSK	1	1	21.55	21.62	21.59	22.00	0.0
		1	40	21.34	21.36	21.35	22.00	0.0
		1	77	21.31	21.43	21.51	22.00	0.0
		36	0	20.42	20.58	20.42	21.00	1.0
		36	22	21.49	21.38	21.47	22.00	0.0
		36	43	20.30	20.50	20.33	21.00	1.0
	75	0	20.38	20.46	20.34	21.00	1.0	
	16-QAM	1	1	20.39	20.53	20.36	21.00	1.0
	64QAM	1	1	18.89	18.95	18.85	19.50	2.5
256-QAM	1	1	16.93	17.01	16.95	17.50	4.5	
5G NR n12_15kHz								
BW(MHz)	Modulation	RB Size	RB Offset	Conducted power (dBm)			Target Power + Max. Tolerance (dBm)	MPR Allowed per 3GPP(dB)
Frequency (MHz)				704	707.5	711		
Channel				140800	141500	142200		
10	QPSK	1	1	21.33	21.50	21.40	22.00	0.0
5G NR n12_15kHz								
BW(MHz)	Modulation	RB Size	RB Offset	Conducted power (dBm)			Target Power + Max. Tolerance (dBm)	MPR Allowed per 3GPP(dB)
Frequency (MHz)				701.5	707.5	713.5		
Channel				140300	141500	142700		
5	QPSK	1	1	21.39	21.44	21.41	22.00	0.0

Unless otherwise stated the results shown in this test report refer only to the sample(s) tested and such sample(s) are retained for 90 days only.

除非另有說明，此報告結果僅對測試之樣品負責，同時此樣品僅保留90天。本報告未經本公司書面許可，不可部份複製。

This document is issued by the Company subject to its General Conditions of Service printed overleaf, available on request or accessible at <http://www.sgs.com.tw/Terms-and-Conditions> and for electronic format documents, subject to Terms and Conditions for Electronic Documents at <http://www.sgs.com.tw/Terms-and-Conditions>. Attention is drawn to the limitation of liability, indemnification and jurisdiction issues defined therein. Any holder of this document is advised that information contained hereon reflects the Company's findings at the time of its intervention only and within the limits of Client's instructions, if any. The Company's sole responsibility is to its Client and this document does not exonerate parties to a transaction from exercising all their rights and obligations under the transaction documents. This document cannot be reproduced except in full, without prior written approval of the Company. Any unauthorized alteration, forgery or falsification of the content or appearance of this document is unlawful and offenders may be prosecuted to the fullest extent of the law.

5G NR n13_15kHz								
BW(MHz)	Modulation	RB Size	RB Offset	Conducted power (dBm)			Target Power + Max. Tolerance (dBm)	MPR Allowed per 3GPP(dB)
Frequency (MHz)				782				
Channel				156400				
10	QPSK	1	1		21.67		22.00	0.0
		1	26		21.39		22.00	0.0
		1	49		21.61		22.00	0.0
		25	0		20.43		21.00	1.0
		25	13		21.50		22.00	0.0
		25	26		20.49		21.00	1.0
	50	0		20.55		21.00	1.0	
	16-QAM	1	1		20.46		21.00	1.0
	64QAM	1	1		19.02		19.50	2.5
256-QAM	1	1		17.03		17.50	4.5	
5G NR n13_15kHz								
BW(MHz)	Modulation	RB Size	RB Offset	Conducted power (dBm)			Target Power + Max. Tolerance (dBm)	MPR Allowed per 3GPP(dB)
Frequency (MHz)				779.5	782	784.5		
Channel				155900	156400	156900		
5	QPSK	1	1	21.41	21.45	21.49	22.00	0.0
5G NR n14_15kHz								
BW(MHz)	Modulation	RB Size	RB Offset	Conducted power (dBm)			Target Power + Max. Tolerance (dBm)	MPR Allowed per 3GPP(dB)
Frequency (MHz)					793			
Channel				158600				
10	QPSK	1	1		21.52		22.00	0.0
		1	26		21.46		22.00	0.0
		1	49		21.37		22.00	0.0
		25	0		20.39		21.00	1.0
		25	13		21.31		22.00	0.0
		25	26		20.45		21.00	1.0
	50	0		20.38		21.00	1.0	
	16-QAM	1	1		20.33		21.00	1.0
	64QAM	1	1		18.87		19.50	2.5
256-QAM	1	1		16.86		17.50	4.5	
5G NR n14_15kHz								
BW(MHz)	Modulation	RB Size	RB Offset	Conducted power (dBm)			Target Power + Max. Tolerance (dBm)	MPR Allowed per 3GPP(dB)
Frequency (MHz)				790.5	793	795.5		
Channel				158100	158600	159100		
5	QPSK	1	1	21.37	21.35	21.43	22.00	0.0

Unless otherwise stated the results shown in this test report refer only to the sample(s) tested and such sample(s) are retained for 90 days only.

除非另有說明，此報告結果僅對測試之樣品負責，同時此樣品僅保留90天。本報告未經本公司書面許可，不可部份複製。

This document is issued by the Company subject to its General Conditions of Service printed overleaf, available on request or accessible at <http://www.sgs.com.tw/Terms-and-Conditions> and for electronic format documents, subject to Terms and Conditions for Electronic Documents at <http://www.sgs.com.tw/Terms-and-Conditions>. Attention is drawn to the limitation of liability, indemnification and jurisdiction issues defined therein. Any holder of this document is advised that information contained hereon reflects the Company's findings at the time of its intervention only and within the limits of Client's instructions, if any. The Company's sole responsibility is to its Client and this document does not exonerate parties to a transaction from exercising all their rights and obligations under the transaction documents. This document cannot be reproduced except in full, without prior written approval of the Company. Any unauthorized alteration, forgery or falsification of the content or appearance of this document is unlawful and offenders may be prosecuted to the fullest extent of the law.

5G NR n25_15kHz								
BW(MHz)	Modulation	RB Size	RB Offset	Conducted power (dBm)			Target Power + Max. Tolerance (dBm)	MPR Allowed per 3GPP(dB)
Frequency (MHz)				1870	1882.5	1895		
Channel				374000	376500	379000		
40	QPSK	1	1	21.67	21.72	21.73	22.00	0.0
		1	108	21.50	21.62	21.61	22.00	0.0
		1	214	21.59	21.62	21.62	22.00	0.0
		108	0	20.48	20.63	20.66	21.00	1.0
		108	54	21.52	21.60	21.63	22.00	0.0
		108	108	20.42	20.58	20.59	21.00	1.0
	216	0	20.39	20.61	20.61	21.00	1.0	
	16-QAM	1	1	20.60	20.56	20.62	21.00	1.0
64QAM	1	1	19.08	19.00	19.09	19.50	2.5	
256-QAM	1	1	16.99	16.94	17.03	17.50	4.5	

5G NR n25_15kHz								
BW(MHz)	Modulation	RB Size	RB Offset	Conducted power (dBm)			Target Power + Max. Tolerance (dBm)	MPR Allowed per 3GPP(dB)
Frequency (MHz)				1865	1882.5	1900		
Channel				373000	376500	380000		
30	QPSK	1	1	21.41	21.57	21.62	22.00	0.0

5G NR n25_15kHz								
BW(MHz)	Modulation	RB Size	RB Offset	Conducted power (dBm)			Target Power + Max. Tolerance (dBm)	MPR Allowed per 3GPP(dB)
Frequency (MHz)				1862.5	1882.5	1902.5		
Channel				372500	376500	380500		
25	QPSK	1	1	21.59	21.54	21.56	22.00	0.0

5G NR n25_15kHz								
BW(MHz)	Modulation	RB Size	RB Offset	Conducted power (dBm)			Target Power + Max. Tolerance (dBm)	MPR Allowed per 3GPP(dB)
Frequency (MHz)				1860	1882.5	1905		
Channel				372000	376500	381000		
20	QPSK	1	1	21.53	21.67	21.52	22.00	0.0

5G NR n25_15kHz								
BW(MHz)	Modulation	RB Size	RB Offset	Conducted power (dBm)			Target Power + Max. Tolerance (dBm)	MPR Allowed per 3GPP(dB)
Frequency (MHz)				1857.5	1882.5	1907.5		
Channel				371500	376500	381500		
15	QPSK	1	1	21.51	21.64	21.56	22.00	0.0

5G NR n25_15kHz								
BW(MHz)	Modulation	RB Size	RB Offset	Conducted power (dBm)			Target Power + Max. Tolerance (dBm)	MPR Allowed per 3GPP(dB)
Frequency (MHz)				1855	1882.5	1910		
Channel				371000	376500	382000		
10	QPSK	1	1	21.51	21.59	21.69	22.00	0.0

Unless otherwise stated the results shown in this test report refer only to the sample(s) tested and such sample(s) are retained for 90 days only.

除非另有說明，此報告結果僅對測試之樣品負責，同時此樣品僅保留90天。本報告未經本公司書面許可，不可部份複製。

This document is issued by the Company subject to its General Conditions of Service printed overleaf, available on request or accessible at <http://www.sgs.com.tw/Terms-and-Conditions> and for electronic format documents, subject to Terms and Conditions for Electronic Documents at <http://www.sgs.com.tw/Terms-and-Conditions>. Attention is drawn to the limitation of liability, indemnification and jurisdiction issues defined therein. Any holder of this document is advised that information contained hereon reflects the Company's findings at the time of its intervention only and within the limits of Client's instructions, if any. The Company's sole responsibility is to its Client and this document does not exonerate parties to a transaction from exercising all their rights and obligations under the transaction documents. This document cannot be reproduced except in full, without prior written approval of the Company. Any unauthorized alteration, forgery or falsification of the content or appearance of this document is unlawful and offenders may be prosecuted to the fullest extent of the law.

5G NR n25_15kHz								
BW(MHz)	Modulation	RB Size	RB Offset	Conducted power (dBm)			Target Power + Max. Tolerance (dBm)	MPR Allowed per 3GPP(dB)
Frequency (MHz)				1852.5	1882.5	1912.5		
Channel				370500	376500	382500		
5	QPSK	1	1	21.42	21.52	21.51	22.00	0.0
5G NR n26_15kHz								
BW(MHz)	Modulation	RB Size	RB Offset	Conducted power (dBm)			Target Power + Max. Tolerance (dBm)	MPR Allowed per 3GPP(dB)
Frequency (MHz)				824	831.5	839		
Channel				164800	166300	167800		
20	QPSK	1	1	21.78	21.72	21.76	22.00	0.0
		1	53	21.75	21.57	21.56	22.00	0.0
		1	104	21.71	21.65	21.59	22.00	0.0
		50	0	20.72	20.56	20.55	21.00	1.0
		50	28	21.68	21.57	21.65	22.00	0.0
		50	56	20.60	20.56	20.53	21.00	1.0
	100	0	20.67	20.56	20.58	21.00	1.0	
	16-QAM	1	1	20.56	20.50	20.51	21.00	1.0
	64QAM	1	1	19.11	18.97	19.23	19.50	2.5
256-QAM	1	1	17.07	16.99	17.19	17.50	4.5	
5G NR n26_15kHz								
BW(MHz)	Modulation	RB Size	RB Offset	Conducted power (dBm)			Target Power + Max. Tolerance (dBm)	MPR Allowed per 3GPP(dB)
Frequency (MHz)				821.5	831.5	841.5		
Channel				164300	166300	168300		
15	QPSK	1	1	21.65	21.43	21.58	22.00	0.0
5G NR n26_15kHz								
BW(MHz)	Modulation	RB Size	RB Offset	Conducted power (dBm)			Target Power + Max. Tolerance (dBm)	MPR Allowed per 3GPP(dB)
Frequency (MHz)				819	831.5	844		
Channel				163800	166300	168800		
10	QPSK	1	1	21.59	21.59	21.51	22.00	0.0
5G NR n26_15kHz								
BW(MHz)	Modulation	RB Size	RB Offset	Conducted power (dBm)			Target Power + Max. Tolerance (dBm)	MPR Allowed per 3GPP(dB)
Frequency (MHz)				816.5	831.5	846.5		
Channel				163300	166300	169300		
5	QPSK	1	1	21.56	21.56	21.67	22.00	0.0

Unless otherwise stated the results shown in this test report refer only to the sample(s) tested and such sample(s) are retained for 90 days only.

除非另有說明，此報告結果僅對測試之樣品負責，同時此樣品僅保留90天。本報告未經本公司書面許可，不可部份複製。

This document is issued by the Company subject to its General Conditions of Service printed overleaf, available on request or accessible at <http://www.sgs.com.tw/Terms-and-Conditions> and for electronic format documents, subject to Terms and Conditions for Electronic Documents at <http://www.sgs.com.tw/Terms-and-Conditions>. Attention is drawn to the limitation of liability, indemnification and jurisdiction issues defined therein. Any holder of this document is advised that information contained hereon reflects the Company's findings at the time of its intervention only and within the limits of Client's instructions, if any. The Company's sole responsibility is to its Client and this document does not exonerate parties to a transaction from exercising all their rights and obligations under the transaction documents. This document cannot be reproduced except in full, without prior written approval of the Company. Any unauthorized alteration, forgery or falsification of the content or appearance of this document is unlawful and offenders may be prosecuted to the fullest extent of the law.

5G NR n66_15kHz								
BW(MHz)	Modulation	RB Size	RB Offset	Conducted power (dBm)			Target Power + Max. Tolerance (dBm)	MPR Allowed per 3GPP(dB)
Frequency (MHz)				1730	1745	1760		
Channel				346000	349000	352000		
40	QPSK	1	1	21.78	21.72	21.63	22.00	0.0
		1	108	21.63	21.54	21.51	22.00	0.0
		1	214	21.67	21.54	21.54	22.00	0.0
		108	0	20.57	20.51	20.49	21.00	1.0
		108	54	21.59	21.51	21.47	22.00	0.0
		108	108	20.65	20.67	20.41	21.00	1.0
	216	0	20.57	20.48	20.48	21.00	1.0	
	16-QAM	1	1	20.64	20.51	20.44	21.00	1.0
64QAM	1	1	19.15	19.15	18.98	19.50	2.5	
256-QAM	1	1	17.04	17.04	16.95	17.50	4.5	

5G NR n66_15kHz								
BW(MHz)	Modulation	RB Size	RB Offset	Conducted power (dBm)			Target Power + Max. Tolerance (dBm)	MPR Allowed per 3GPP(dB)
Frequency (MHz)				1725	1745	1765		
Channel				345000	349000	353000		
30	QPSK	1	1	21.61	21.49	21.40	22.00	0.0

5G NR n66_15kHz								
BW(MHz)	Modulation	RB Size	RB Offset	Conducted power (dBm)			Target Power + Max. Tolerance (dBm)	MPR Allowed per 3GPP(dB)
Frequency (MHz)				1722.5	1745	1767.5		
Channel				344500	349000	353500		
25	QPSK	1	1	21.64	21.60	21.43	22.00	0.0

5G NR n66_15kHz								
BW(MHz)	Modulation	RB Size	RB Offset	Conducted power (dBm)			Target Power + Max. Tolerance (dBm)	MPR Allowed per 3GPP(dB)
Frequency (MHz)				1720	1745	1770		
Channel				344000	349000	354000		
20	QPSK	1	1	21.58	21.65	21.48	22.00	0.0

5G NR n66_15kHz								
BW(MHz)	Modulation	RB Size	RB Offset	Conducted power (dBm)			Target Power + Max. Tolerance (dBm)	MPR Allowed per 3GPP(dB)
Frequency (MHz)				1717.5	1745	1772.5		
Channel				343500	349000	354500		
15	QPSK	1	1	21.62	21.56	21.46	22.00	0.0

5G NR n66_15kHz								
BW(MHz)	Modulation	RB Size	RB Offset	Conducted power (dBm)			Target Power + Max. Tolerance (dBm)	MPR Allowed per 3GPP(dB)
Frequency (MHz)				1715	1745	1775		
Channel				343000	349000	355000		
10	QPSK	1	1	21.60	21.55	21.45	22.00	0.0

Unless otherwise stated the results shown in this test report refer only to the sample(s) tested and such sample(s) are retained for 90 days only.

除非另有說明，此報告結果僅對測試之樣品負責，同時此樣品僅保留90天。本報告未經本公司書面許可，不可部份複製。

This document is issued by the Company subject to its General Conditions of Service printed overleaf, available on request or accessible at <http://www.sgs.com.tw/Terms-and-Conditions> and for electronic format documents, subject to Terms and Conditions for Electronic Documents at <http://www.sgs.com.tw/Terms-and-Conditions>. Attention is drawn to the limitation of liability, indemnification and jurisdiction issues defined therein. Any holder of this document is advised that information contained hereon reflects the Company's findings at the time of its intervention only and within the limits of Client's instructions, if any. The Company's sole responsibility is to its Client and this document does not exonerate parties to a transaction from exercising all their rights and obligations under the transaction documents. This document cannot be reproduced except in full, without prior written approval of the Company. Any unauthorized alteration, forgery or falsification of the content or appearance of this document is unlawful and offenders may be prosecuted to the fullest extent of the law.

5G NR n66_15kHz								
BW(MHz)	Modulation	RB Size	RB Offset	Conducted power (dBm)			Target Power + Max. Tolerance (dBm)	MPR Allowed per 3GPP(dB)
Frequency (MHz)				1712.5	1745	1777.5		
Channel				342500	349000	355500		
5	QPSK	1	1	21.68	21.53	21.44	22.00	0.0
5G NR n70_15kHz								
BW(MHz)	Modulation	RB Size	RB Offset	Conducted power (dBm)			Target Power + Max. Tolerance (dBm)	MPR Allowed per 3GPP(dB)
Frequency (MHz)					1702.5			
Channel					340500			
15	QPSK	1	1		21.32		22.00	0.0
		1	40		21.26		22.00	0.0
		1	77		21.22		22.00	0.0
		36	0		20.24		21.00	1.0
		36	22		21.09		22.00	0.0
		36	43		20.04		21.00	1.0
		75	0		20.16		21.00	1.0
	16-QAM	1	1		20.22		21.00	1.0
	64QAM	1	1		18.77		19.50	2.5
256-QAM	1	1		16.66		17.50	4.5	
5G NR n70_15kHz								
BW(MHz)	Modulation	RB Size	RB Offset	Conducted power (dBm)			Target Power + Max. Tolerance (dBm)	MPR Allowed per 3GPP(dB)
Frequency (MHz)				1700	1702.5	1705		
Channel				340000	340500	341000		
10	QPSK	1	1	21.17	21.15	21.11	22.00	0.0
5G NR n70_15kHz								
BW(MHz)	Modulation	RB Size	RB Offset	Conducted power (dBm)			Target Power + Max. Tolerance (dBm)	MPR Allowed per 3GPP(dB)
Frequency (MHz)				1697.5	1702.5	1707.5		
Channel				339500	340500	341500		
5	QPSK	1	1	21.16	21.09	21.14	22.00	0.0
5G NR n71_15kHz								
BW(MHz)	Modulation	RB Size	RB Offset	Conducted power (dBm)			Target Power + Max. Tolerance (dBm)	MPR Allowed per 3GPP(dB)
Frequency (MHz)				673	680.5	688		
Channel				134600	136100	137600		
20	QPSK	1	1	21.95	21.91	21.78	22.00	0.0
		1	53	21.71	21.78	21.57	22.00	0.0
		1	104	21.83	21.73	21.60	22.00	0.0
		50	0	20.79	20.84	20.52	21.00	1.0
		50	28	21.86	21.77	21.66	22.00	0.0
		50	56	20.88	20.74	20.63	21.00	1.0
		100	0	20.65	20.80	20.59	21.00	1.0
	16-QAM	1	1	20.78	20.73	20.64	21.00	1.0
	64QAM	1	1	19.31	19.21	19.21	19.50	2.5
	256-QAM	1	1	17.37	17.26	17.13	17.50	4.5

Unless otherwise stated the results shown in this test report refer only to the sample(s) tested and such sample(s) are retained for 90 days only.

除非另有說明，此報告結果僅對測試之樣品負責，同時此樣品僅保留90天。本報告未經本公司書面許可，不可部份複製。

This document is issued by the Company subject to its General Conditions of Service printed overleaf, available on request or accessible at <http://www.sgs.com.tw/Terms-and-Conditions> and for electronic format documents, subject to Terms and Conditions for Electronic Documents at <http://www.sgs.com.tw/Terms-and-Conditions>. Attention is drawn to the limitation of liability, indemnification and jurisdiction issues defined therein. Any holder of this document is advised that information contained hereon reflects the Company's findings at the time of its intervention only and within the limits of Client's instructions, if any. The Company's sole responsibility is to its Client and this document does not exonerate parties to a transaction from exercising all their rights and obligations under the transaction documents. This document cannot be reproduced except in full, without prior written approval of the Company. Any unauthorized alteration, forgery or falsification of the content or appearance of this document is unlawful and offenders may be prosecuted to the fullest extent of the law.

5G NR n71_15kHz								
BW(MHz)	Modulation	RB Size	RB Offset	Conducted power (dBm)			Target Power + Max. Tolerance (dBm)	MPR Allowed per 3GPP(dB)
Frequency (MHz)				670.5	680.5	690.5		
Channel				134100	136100	138100		
15	QPSK	1	1	21.65	21.63	21.51	22.00	0.0
5G NR n71_15kHz								
BW(MHz)	Modulation	RB Size	RB Offset	Conducted power (dBm)			Target Power + Max. Tolerance (dBm)	MPR Allowed per 3GPP(dB)
Frequency (MHz)				668	680.5	693		
Channel				133600	136100	138600		
10	QPSK	1	1	21.84	21.73	21.70	22.00	0.0
5G NR n71_15kHz								
BW(MHz)	Modulation	RB Size	RB Offset	Conducted power (dBm)			Target Power + Max. Tolerance (dBm)	MPR Allowed per 3GPP(dB)
Frequency (MHz)				665.5	680.5	695.5		
Channel				133100	136100	139100		
5	QPSK	1	1	21.80	21.82	21.68	22.00	0.0

Unless otherwise stated the results shown in this test report refer only to the sample(s) tested and such sample(s) are retained for 90 days only.

除非另有說明，此報告結果僅對測試之樣品負責，同時此樣品僅保留90天。本報告未經本公司書面許可，不可部份複製。

This document is issued by the Company subject to its General Conditions of Service printed overleaf, available on request or accessible at <http://www.sgs.com.tw/Terms-and-Conditions> and for electronic format documents, subject to Terms and Conditions for Electronic Documents at <http://www.sgs.com.tw/Terms-and-Conditions>. Attention is drawn to the limitation of liability, indemnification and jurisdiction issues defined therein. Any holder of this document is advised that information contained hereon reflects the Company's findings at the time of its intervention only and within the limits of Client's instructions, if any. The Company's sole responsibility is to its Client and this document does not exonerate parties to a transaction from exercising all their rights and obligations under the transaction documents. This document cannot be reproduced except in full, without prior written approval of the Company. Any unauthorized alteration, forgery or falsification of the content or appearance of this document is unlawful and offenders may be prosecuted to the fullest extent of the law.

5G NR n7_15kHz								
BW(MHz)	Modulation	RB Size	RB Offset	Conducted power (dBm)			Target Power + Max. Tolerance (dBm)	MPR Allowed per 3GPP(dB)
Frequency (MHz)				2520	2535	2550		
Channel				504000	507000	510000		
40	QPSK	1	1	19.71	19.62	19.75	20.00	0.0
		1	108	19.67	19.54	19.41	20.00	0.0
		1	214	19.58	19.58	19.46	20.00	0.0
		108	0	18.63	18.46	18.45	19.00	1.0
		108	54	19.59	19.53	19.45	20.00	0.0
		108	108	18.60	18.54	18.37	19.00	1.0
	216	0	18.57	18.42	18.41	19.00	1.0	
	16-QAM	1	1	18.50	18.38	18.54	19.00	1.0
64QAM	1	1	17.13	17.08	16.85	17.50	2.5	
256-QAM	1	1	15.10	14.92	14.94	15.50	4.5	

5G NR n7_15kHz								
BW(MHz)	Modulation	RB Size	RB Offset	Conducted power (dBm)			Target Power + Max. Tolerance (dBm)	MPR Allowed per 3GPP(dB)
Frequency (MHz)				2515	2535	2555		
Channel				503000	507000	511000		
30	QPSK	1	1	19.57	19.38	19.40	20.00	0.0

5G NR n7_15kHz								
BW(MHz)	Modulation	RB Size	RB Offset	Conducted power (dBm)			Target Power + Max. Tolerance (dBm)	MPR Allowed per 3GPP(dB)
Frequency (MHz)				2512.5	2535	2557.5		
Channel				502500	507000	511500		
25	QPSK	1	1	19.50	19.41	19.34	20.00	0.0

5G NR n7_15kHz								
BW(MHz)	Modulation	RB Size	RB Offset	Conducted power (dBm)			Target Power + Max. Tolerance (dBm)	MPR Allowed per 3GPP(dB)
Frequency (MHz)				2510	2535	2560		
Channel				502000	507000	512000		
20	QPSK	1	1	19.63	19.50	19.35	20.00	0.0

5G NR n7_15kHz								
BW(MHz)	Modulation	RB Size	RB Offset	Conducted power (dBm)			Target Power + Max. Tolerance (dBm)	MPR Allowed per 3GPP(dB)
Frequency (MHz)				2507.5	2535	2562.5		
Channel				501500	507000	512500		
15	QPSK	1	1	19.57	19.48	19.42	20.00	0.0

5G NR n7_15kHz								
BW(MHz)	Modulation	RB Size	RB Offset	Conducted power (dBm)			Target Power + Max. Tolerance (dBm)	MPR Allowed per 3GPP(dB)
Frequency (MHz)				2505	2535	2565		
Channel				501000	507000	513000		
10	QPSK	1	1	19.46	19.48	19.29	20.00	0.0

Unless otherwise stated the results shown in this test report refer only to the sample(s) tested and such sample(s) are retained for 90 days only.

除非另有說明，此報告結果僅對測試之樣品負責，同時此樣品僅保留90天。本報告未經本公司書面許可，不可部份複製。

This document is issued by the Company subject to its General Conditions of Service printed overleaf, available on request or accessible at <http://www.sgs.com.tw/Terms-and-Conditions> and for electronic format documents, subject to Terms and Conditions for Electronic Documents at <http://www.sgs.com.tw/Terms-and-Conditions>. Attention is drawn to the limitation of liability, indemnification and jurisdiction issues defined therein. Any holder of this document is advised that information contained hereon reflects the Company's findings at the time of its intervention only and within the limits of Client's instructions, if any. The Company's sole responsibility is to its Client and this document does not exonerate parties to a transaction from exercising all their rights and obligations under the transaction documents. This document cannot be reproduced except in full, without prior written approval of the Company. Any unauthorized alteration, forgery or falsification of the content or appearance of this document is unlawful and offenders may be prosecuted to the fullest extent of the law.

5G NR n7_15kHz								
BW(MHz)	Modulation	RB Size	RB Offset	Conducted power (dBm)			Target Power + Max. Tolerance (dBm)	MPR Allowed per 3GPP(dB)
Frequency (MHz)				2502.5	2535	2567.5		
Channel				500500	507000	513500		
5	QPSK	1	1	19.69	19.45	19.34	20.00	0.0
5G NR n30_15kHz								
BW(MHz)	Modulation	RB Size	RB Offset	Conducted power (dBm)			Target Power + Max. Tolerance (dBm)	MPR Allowed per 3GPP(dB)
Frequency (MHz)					2310			
Channel					462000			
10	QPSK	1	1		19.94		20.00	0.0
		1	26		19.76		20.00	0.0
		1	49		19.80		20.00	0.0
		25	0		18.81		19.00	1.0
		25	13		19.82		20.00	0.0
		25	26		18.79		19.00	1.0
	50	0		18.75		19.00	1.0	
	16-QAM	1	1		18.73		19.00	1.0
	64QAM	1	1		17.26		17.50	2.5
256-QAM	1	1		15.23		15.50	4.5	
5G NR n30_15kHz								
BW(MHz)	Modulation	RB Size	RB Offset	Conducted power (dBm)			Target Power + Max. Tolerance (dBm)	MPR Allowed per 3GPP(dB)
Frequency (MHz)				2307.5	2310	2312.5		
Channel				461500	462000	462500		
5	QPSK	1	1	19.70	19.68	19.80	20.00	0.0

Unless otherwise stated the results shown in this test report refer only to the sample(s) tested and such sample(s) are retained for 90 days only.

除非另有說明，此報告結果僅對測試之樣品負責，同時此樣品僅保留90天。本報告未經本公司書面許可，不可部份複製。

This document is issued by the Company subject to its General Conditions of Service printed overleaf, available on request or accessible at <http://www.sgs.com.tw/Terms-and-Conditions> and for electronic format documents, subject to Terms and Conditions for Electronic Documents at <http://www.sgs.com.tw/Terms-and-Conditions>. Attention is drawn to the limitation of liability, indemnification and jurisdiction issues defined therein. Any holder of this document is advised that information contained hereon reflects the Company's findings at the time of its intervention only and within the limits of Client's instructions, if any. The Company's sole responsibility is to its Client and this document does not exonerate parties to a transaction from exercising all their rights and obligations under the transaction documents. This document cannot be reproduced except in full, without prior written approval of the Company. Any unauthorized alteration, forgery or falsification of the content or appearance of this document is unlawful and offenders may be prosecuted to the fullest extent of the law.

5G NR n77_30kHz_FCC										
BW(MHz)	Modulation	RB Size	RB Offset	Conducted power (dBm)					Target Power + Max. Tolerance (dBm)	MPR Allowed per 3GPP(dB)
Frequency (MHz)				3750	3795	3840	3885	3930		
Channel				650000	653000	656000	659000	662000		
100	QPSK	1	1	19.83	19.88	19.92	19.93	19.95	20.00	0.0
		1	137	19.69	19.65	19.66	19.76	19.87	20.00	0.0
		1	272	19.76	19.79	19.67	19.68	19.78	20.00	0.0
		135	0	18.61	18.65	18.72	18.73	18.84	19.00	1.0
		135	69	19.68	19.66	19.85	19.68	19.76	20.00	0.0
		135	138	18.65	18.81	18.71	18.81	18.76	19.00	1.0
	270	0	18.56	18.71	18.81	18.78	18.67	19.00	1.0	
	16-QAM	1	1	18.74	18.75	18.70	18.66	18.75	19.00	1.0
	64QAM	1	1	17.10	17.20	17.37	17.26	17.33	17.50	2.5
256-QAM	1	1	15.22	15.24	15.20	15.25	15.17	15.50	4.5	

5G NR n77_30kHz_FCC										
BW(MHz)	Modulation	RB Size	RB Offset	Conducted power (dBm)					Target Power + Max. Tolerance (dBm)	MPR Allowed per 3GPP(dB)
Frequency (MHz)				3744.99	3792.51	3840	3887.49	3935.01		
Channel				649666	652834	656000	659166	662334		
90	QPSK	1	1	19.63	19.59	19.72	19.80	19.76	20.00	0.0

5G NR n77_30kHz_FCC										
BW(MHz)	Modulation	RB Size	RB Offset	Conducted power (dBm)					Target Power + Max. Tolerance (dBm)	MPR Allowed per 3GPP(dB)
Frequency (MHz)				3740.01	3789.99	3840	3890.01	3939.99		
Channel				649334	652666	656000	659334	662666		
80	QPSK	1	1	19.61	19.74	19.70	19.90	19.82	20.00	0.0

5G NR n77_30kHz_FCC										
BW(MHz)	Modulation	RB Size	RB Offset	Conducted power (dBm)					Target Power + Max. Tolerance (dBm)	MPR Allowed per 3GPP(dB)
Frequency (MHz)				3729.99	3785.01	3840	3894.99	3950.01		
Channel				648666	652334	656000	659666	663334		
60	QPSK	1	1	19.67	19.62	19.87	19.87	19.74	20.00	0.0

5G NR n77_30kHz_FCC										
BW(MHz)	Modulation	RB Size	RB Offset	Conducted power (dBm)					Target Power + Max. Tolerance (dBm)	MPR Allowed per 3GPP(dB)
Frequency (MHz)				3725.01	3782.49	3840	3897.51	3954.99		
Channel				648334	652166	656000	659834	663666		
50	QPSK	1	1	19.71	19.84	19.85	19.78	19.73	20.00	0.0

5G NR n77_30kHz_FCC										
BW(MHz)	Modulation	RB Size	RB Offset	Conducted power (dBm)					Target Power + Max. Tolerance (dBm)	MPR Allowed per 3GPP(dB)
Frequency (MHz)				3720	3780	3840	3900	3960		
Channel				648000	652000	656000	660000	664000		
40	QPSK	1	1	19.68	19.71	19.76	19.84	19.86	20.00	0.0

5G NR n77_30kHz_FCC										
BW(MHz)	Modulation	RB Size	RB Offset	Conducted power (dBm)					Target Power + Max. Tolerance (dBm)	MPR Allowed per 3GPP(dB)
Frequency (MHz)						3840				
Channel						656000				
15	QPSK	1	1			19.79			20.00	0.0

5G NR n77_30kHz_FCC										
BW(MHz)	Modulation	RB Size	RB Offset	Conducted power (dBm)					Target Power + Max. Tolerance (dBm)	MPR Allowed per 3GPP(dB)
Frequency (MHz)						3840				
Channel						656000				
10	QPSK	1	1			19.85			20.00	0.0

Unless otherwise stated the results shown in this test report refer only to the sample(s) tested and such sample(s) are retained for 90 days only.

除非另有說明，此報告結果僅對測試之樣品負責，同時此樣品僅保留90天。本報告未經本公司書面許可，不可部份複製。

This document is issued by the Company subject to its General Conditions of Service printed overleaf, available on request or accessible at <http://www.sgs.com.tw/Terms-and-Conditions> and for electronic format documents, subject to Terms and Conditions for Electronic Documents at <http://www.sgs.com.tw/Terms-and-Conditions>. Attention is drawn to the limitation of liability, indemnification and jurisdiction issues defined therein. Any holder of this document is advised that information contained hereon reflects the Company's findings at the time of its intervention only and within the limits of Client's instructions, if any. The Company's sole responsibility is to its Client and this document does not exonerate parties to a transaction from exercising all their rights and obligations under the transaction documents. This document cannot be reproduced except in full, without prior written approval of the Company. Any unauthorized alteration, forgery or falsification of the content or appearance of this document is unlawful and offenders may be prosecuted to the fullest extent of the law.

5G NR n77_HPUE_30kHz_FCC										
BW(MHz)	Modulation	RB Size	RB Offset	Conducted power (dBm)					Target Power + Max. Tolerance (dBm)	MPR Allowed per 3GPP(dB)
Frequency (MHz)				3750	3795	3840	3885	3930		
Channel				650000	653000	656000	659000	662000		
100	QPSK	1	1	20.77	20.81	20.84	20.89	20.95	21.00	0.0
		1	137	20.60	20.74	20.71	20.78	20.76	21.00	0.0
		1	272	20.65	20.76	20.68	20.80	20.72	21.00	0.0
		135	0	19.47	19.61	19.67	19.65	19.78	20.00	1.0
		135	69	20.70	20.56	20.61	20.70	20.71	21.00	0.0
		135	138	19.49	19.59	19.66	19.75	19.71	20.00	1.0
	270	0	19.56	19.66	19.75	19.84	19.78	20.00	1.0	
	16-QAM	1	1	19.67	19.63	19.71	19.70	19.76	20.00	1.0
	64QAM	1	1	18.00	18.12	18.11	18.21	18.30	18.50	2.5
	256-QAM	1	1	16.10	16.17	16.14	16.24	16.39	16.50	4.5

5G NR n77_HPUE_30kHz_FCC										
BW(MHz)	Modulation	RB Size	RB Offset	Conducted power (dBm)					Target Power + Max. Tolerance (dBm)	MPR Allowed per 3GPP(dB)
Frequency (MHz)				3744.99	3792.51	3840	3887.49	3935.01		
Channel				649666	652834	656000	659166	662334		
90	QPSK	1	1	20.63	20.58	20.58	20.68	20.74	21.00	0.0

5G NR n77_HPUE_30kHz_FCC										
BW(MHz)	Modulation	RB Size	RB Offset	Conducted power (dBm)					Target Power + Max. Tolerance (dBm)	MPR Allowed per 3GPP(dB)
Frequency (MHz)				3740.01	3789.99	3840	3890.01	3939.99		
Channel				649334	652666	656000	659334	662666		
80	QPSK	1	1	20.67	20.59	20.63	20.68	20.84	21.00	0.0

5G NR n77_HPUE_30kHz_FCC										
BW(MHz)	Modulation	RB Size	RB Offset	Conducted power (dBm)					Target Power + Max. Tolerance (dBm)	MPR Allowed per 3GPP(dB)
Frequency (MHz)				3729.99	3785.01	3840	3894.99	3950.01		
Channel				648666	652334	656000	659666	663334		
60	QPSK	1	1	20.54	20.59	20.75	20.69	20.66	21.00	0.0

5G NR n77_HPUE_30kHz_FCC										
BW(MHz)	Modulation	RB Size	RB Offset	Conducted power (dBm)					Target Power + Max. Tolerance (dBm)	MPR Allowed per 3GPP(dB)
Frequency (MHz)				3725.01	3782.49	3840	3897.51	3954.99		
Channel				648334	652166	656000	659834	663666		
50	QPSK	1	1	20.67	20.64	20.71	20.82	20.80	21.00	0.0

5G NR n77_HPUE_30kHz_FCC										
BW(MHz)	Modulation	RB Size	RB Offset	Conducted power (dBm)					Target Power + Max. Tolerance (dBm)	MPR Allowed per 3GPP(dB)
Frequency (MHz)				3720	3780	3840	3900	3960		
Channel				648000	652000	656000	660000	664000		
40	QPSK	1	1	20.62	20.65	20.72	20.64	20.88	21.00	0.0

5G NR n77_HPUE_30kHz_FCC										
BW(MHz)	Modulation	RB Size	RB Offset	Conducted power (dBm)					Target Power + Max. Tolerance (dBm)	MPR Allowed per 3GPP(dB)
Frequency (MHz)				3710.01	3774.99	3840	3903.99	3969.99		
Channel				647334	651666	656000	660266	664666		
20	QPSK	1	1	20.64	20.57	20.80	20.68	20.87	21.00	0.0

5G NR n77_HPUE_30kHz_FCC										
BW(MHz)	Modulation	RB Size	RB Offset	Conducted power (dBm)					Target Power + Max. Tolerance (dBm)	MPR Allowed per 3GPP(dB)
Frequency (MHz)						3840				
Channel						656000				
15	QPSK	1	1			20.70			21.00	0.0

Unless otherwise stated the results shown in this test report refer only to the sample(s) tested and such sample(s) are retained for 90 days only.

除非另有說明，此報告結果僅對測試之樣品負責，同時此樣品僅保留90天。本報告未經本公司書面許可，不可部份複製。

This document is issued by the Company subject to its General Conditions of Service printed overleaf, available on request or accessible at <http://www.sgs.com.tw/Terms-and-Conditions> and for electronic format documents, subject to Terms and Conditions for Electronic Documents at <http://www.sgs.com.tw/Terms-and-Conditions>. Attention is drawn to the limitation of liability, indemnification and jurisdiction issues defined therein. Any holder of this document is advised that information contained hereon reflects the Company's findings at the time of its intervention only and within the limits of Client's instructions, if any. The Company's sole responsibility is to its Client and this document does not exonerate parties to a transaction from exercising all their rights and obligations under the transaction documents. This document cannot be reproduced except in full, without prior written approval of the Company. Any unauthorized alteration, forgery or falsification of the content or appearance of this document is unlawful and offenders may be prosecuted to the fullest extent of the law.

5G NR n77_HPUE_30kHz_FCC								
BW(MHz)	Modulation	RB Size	RB Offset	Conducted power (dBm)			Target Power + Max. Tolerance (dBm)	MPR Allowed per 3GPP(dB)
Frequency (MHz)					3840			
Channel					656000			
10	QPSK	1	1		20.72		21.00	0.0
5G NR n77 & n78_30kHz_FCC								
BW(MHz)	Modulation	RB Size	RB Offset	Conducted power (dBm)			Target Power + Max. Tolerance (dBm)	MPR Allowed per 3GPP(dB)
Frequency (MHz)				3495	3499.995	3504.99		
Channel				633000	633333	633666		
90	QPSK	1	1	19.67	19.48	19.66	20.00	0.0
5G NR n77 & n78_30kHz_FCC								
BW(MHz)	Modulation	RB Size	RB Offset	Conducted power (dBm)			Target Power + Max. Tolerance (dBm)	MPR Allowed per 3GPP(dB)
Frequency (MHz)				3490.005	3499.995	3510		
Channel				632667	633333	634000		
80	QPSK	1	1	19.51	19.54	19.62	20.00	0.0
5G NR n77 & n78_30kHz_FCC								
BW(MHz)	Modulation	RB Size	RB Offset	Conducted power (dBm)			Target Power + Max. Tolerance (dBm)	MPR Allowed per 3GPP(dB)
Frequency (MHz)				3480	3499.995	3519.99		
Channel				632000	633333	634666		
60	QPSK	1	1	19.69	19.59	19.56	20.00	0.0
5G NR n77 & n78_30kHz_FCC								
BW(MHz)	Modulation	RB Size	RB Offset	Conducted power (dBm)			Target Power + Max. Tolerance (dBm)	MPR Allowed per 3GPP(dB)
Frequency (MHz)				3475.005	3499.995	3525		
Channel				631667	633333	635000		
50	QPSK	1	1	19.61	19.56	19.59	20.00	0.0
5G NR n77 & n78_30kHz_FCC								
BW(MHz)	Modulation	RB Size	RB Offset	Conducted power (dBm)			Target Power + Max. Tolerance (dBm)	MPR Allowed per 3GPP(dB)
Frequency (MHz)				3470.01	3499.995	3529.995		
Channel				631334	633333	635333		
40	QPSK	1	1	19.52	19.57	19.50	20.00	0.0
5G NR n77 & n78_30kHz_FCC								
BW(MHz)	Modulation	RB Size	RB Offset	Conducted power (dBm)			Target Power + Max. Tolerance (dBm)	MPR Allowed per 3GPP(dB)
Frequency (MHz)				3460.005	3499.995	3540		
Channel				630667	633333	636000		
20	QPSK	1	1	19.63	19.50	19.54	20.00	0.0
5G NR n77 & n78_30kHz_FCC								
BW(MHz)	Modulation	RB Size	RB Offset	Conducted power (dBm)			Target Power + Max. Tolerance (dBm)	MPR Allowed per 3GPP(dB)
Frequency (MHz)				3457.5	3499.995	3542.49		
Channel				630500	633333	636166		
15	QPSK	1	1	19.45	19.53	19.52	20.00	0.0

Unless otherwise stated the results shown in this test report refer only to the sample(s) tested and such sample(s) are retained for 90 days only.

除非另有說明，此報告結果僅對測試之樣品負責，同時此樣品僅保留90天。本報告未經本公司書面許可，不可部份複製。

This document is issued by the Company subject to its General Conditions of Service printed overleaf, available on request or accessible at <http://www.sgs.com.tw/Terms-and-Conditions> and for electronic format documents, subject to Terms and Conditions for Electronic Documents at <http://www.sgs.com.tw/Terms-and-Conditions>. Attention is drawn to the limitation of liability, indemnification and jurisdiction issues defined therein. Any holder of this document is advised that information contained hereon reflects the Company's findings at the time of its intervention only and within the limits of Client's instructions, if any. The Company's sole responsibility is to its Client and this document does not exonerate parties to a transaction from exercising all their rights and obligations under the transaction documents. This document cannot be reproduced except in full, without prior written approval of the Company. Any unauthorized alteration, forgery or falsification of the content or appearance of this document is unlawful and offenders may be prosecuted to the fullest extent of the law.

5G NR n77 & n78_30kHz_FCC								
BW(MHz)	Modulation	RB Size	RB Offset	Conducted power (dBm)			Target Power + Max. Tolerance (dBm)	MPR Allowed per 3GPP(dB)
Frequency (MHz)				3455.01	3499.995	3544.995		
Channel				630334	633333	636333		
10	QPSK	1	1	19.57	19.57	19.71	20.00	0.0
5G NR n77 & n78_30kHz_FCC								
BW(MHz)	Modulation	RB Size	RB Offset	Conducted power (dBm)			Target Power + Max. Tolerance (dBm)	MPR Allowed per 3GPP(dB)
Frequency (MHz)					3499.995			
Channel					633333			
100	QPSK	1	1		19.75		20.00	0.0
		1	137		19.58		20.00	0.0
		1	272		19.52		20.00	0.0
		135	0		18.70		19.00	1.0
		135	69		19.69		20.00	0.0
		135	138		18.61		19.00	1.0
	270	0		18.46		19.00	1.0	
	16-QAM	1	1		18.68		19.00	1.0
	64QAM	1	1		17.11		17.50	2.5
256-QAM	1	1		15.07		15.50	4.5	
5G NR n77 & n78_HPUE_30kHz_FCC								
BW(MHz)	Modulation	RB Size	RB Offset	Conducted power (dBm)			Target Power + Max. Tolerance (dBm)	MPR Allowed per 3GPP(dB)
Frequency (MHz)					3499.995			
Channel					633333			
100	QPSK	1	1		20.69		21.00	0.0
		1	137		20.59		21.00	0.0
		1	272		20.48		21.00	0.0
		135	0		19.63		20.00	1.0
		135	69		20.51		21.00	0.0
		135	138		19.58		20.00	1.0
	270	0		19.53		20.00	1.0	
	16-QAM	1	1		19.54		20.00	1.0
	64QAM	1	1		18.04		18.50	2.5
256-QAM	1	1		15.90		16.50	4.5	
5G NR n77 & n78_HPUE_30kHz_FCC								
BW(MHz)	Modulation	RB Size	RB Offset	Conducted power (dBm)			Target Power + Max. Tolerance (dBm)	MPR Allowed per 3GPP(dB)
Frequency (MHz)				3495	3499.995	3504.99		
Channel				633000	633333	633666		
90	QPSK	1	1	20.34	20.39	20.54	21.00	0.0
5G NR n77 & n78_HPUE_30kHz_FCC								
BW(MHz)	Modulation	RB Size	RB Offset	Conducted power (dBm)			Target Power + Max. Tolerance (dBm)	MPR Allowed per 3GPP(dB)
Frequency (MHz)				3490.005	3499.995	3510		
Channel				632667	633333	634000		
80	QPSK	1	1	20.38	20.34	20.52	21.00	0.0
5G NR n77 & n78_HPUE_30kHz_FCC								
BW(MHz)	Modulation	RB Size	RB Offset	Conducted power (dBm)			Target Power + Max. Tolerance (dBm)	MPR Allowed per 3GPP(dB)
Frequency (MHz)				3480	3499.995	3519.99		
Channel				632000	633333	634666		
60	QPSK	1	1	20.48	20.39	20.51	21.00	0.0

Unless otherwise stated the results shown in this test report refer only to the sample(s) tested and such sample(s) are retained for 90 days only.

除非另有說明，此報告結果僅對測試之樣品負責，同時此樣品僅保留90天。本報告未經本公司書面許可，不可部份複製。

This document is issued by the Company subject to its General Conditions of Service printed overleaf, available on request or accessible at <http://www.sgs.com.tw/Terms-and-Conditions> and for electronic format documents, subject to Terms and Conditions for Electronic Documents at <http://www.sgs.com.tw/Terms-and-Conditions>. Attention is drawn to the limitation of liability, indemnification and jurisdiction issues defined therein. Any holder of this document is advised that information contained hereon reflects the Company's findings at the time of its intervention only and within the limits of Client's instructions, if any. The Company's sole responsibility is to its Client and this document does not exonerate parties to a transaction from exercising all their rights and obligations under the transaction documents. This document cannot be reproduced except in full, without prior written approval of the Company. Any unauthorized alteration, forgery or falsification of the content or appearance of this document is unlawful and offenders may be prosecuted to the fullest extent of the law.

5G NR n77 & n78_HPUE_30kHz_FCC								
BW(MHz)	Modulation	RB Size	RB Offset	Conducted power (dBm)			Target Power + Max. Tolerance (dBm)	MPR Allowed per 3GPP(dB)
Frequency (MHz)				3475.005	3499.995	3525		
Channel				631667	633333	635000		
50	QPSK	1	1	20.45	20.28	20.51	21.00	0.0
5G NR n77 & n78_HPUE_30kHz_FCC								
BW(MHz)	Modulation	RB Size	RB Offset	Conducted power (dBm)			Target Power + Max. Tolerance (dBm)	MPR Allowed per 3GPP(dB)
Frequency (MHz)				3470.01	3499.995	3529.995		
Channel				631334	633333	635333		
40	QPSK	1	1	20.43	20.40	20.60	21.00	0.0
5G NR n77 & n78_HPUE_30kHz_FCC								
BW(MHz)	Modulation	RB Size	RB Offset	Conducted power (dBm)			Target Power + Max. Tolerance (dBm)	MPR Allowed per 3GPP(dB)
Frequency (MHz)				3460.005	3499.995	3540		
Channel				630667	633333	636000		
20	QPSK	1	1	20.36	20.36	20.50	21.00	0.0
5G NR n77 & n78_HPUE_30kHz_FCC								
BW(MHz)	Modulation	RB Size	RB Offset	Conducted power (dBm)			Target Power + Max. Tolerance (dBm)	MPR Allowed per 3GPP(dB)
Frequency (MHz)				3457.5	3499.995	3542.49		
Channel				630500	633333	636166		
15	QPSK	1	1	20.51	20.45	20.50	21.00	0.0
5G NR n77 & n78_HPUE_30kHz_FCC								
BW(MHz)	Modulation	RB Size	RB Offset	Conducted power (dBm)			Target Power + Max. Tolerance (dBm)	MPR Allowed per 3GPP(dB)
Frequency (MHz)				3455.01	3499.995	3544.995		
Channel				630334	633333	636333		
10	QPSK	1	1	20.51	20.32	20.53	21.00	0.0
5G NR n78_30kHz_FCC								
BW(MHz)	Modulation	RB Size	RB Offset	Conducted power (dBm)			Target Power + Max. Tolerance (dBm)	MPR Allowed per 3GPP(dB)
Frequency (MHz)					3750			
Channel					645000			
100	QPSK	1	1		19.75		20.00	0.0
		1	137		19.53		20.00	0.0
		1	272		19.56		20.00	0.0
		135	0		18.54		19.00	1.0
		135	69		19.57		20.00	0.0
		135	138		18.71		19.00	1.0
	270	0		18.56		19.00	1.0	
	16-QAM	1	1		18.53		19.00	1.0
64QAM	1	1		17.08		17.50	2.5	
256-QAM	1	1		15.14		15.50	4.5	

Unless otherwise stated the results shown in this test report refer only to the sample(s) tested and such sample(s) are retained for 90 days only.

除非另有說明，此報告結果僅對測試之樣品負責，同時此樣品僅保留90天。本報告未經本公司書面許可，不可部份複製。

This document is issued by the Company subject to its General Conditions of Service printed overleaf, available on request or accessible at <http://www.sgs.com.tw/Terms-and-Conditions> and for electronic format documents, subject to Terms and Conditions for Electronic Documents at <http://www.sgs.com.tw/Terms-and-Conditions>. Attention is drawn to the limitation of liability, indemnification and jurisdiction issues defined therein. Any holder of this document is advised that information contained hereon reflects the Company's findings at the time of its intervention only and within the limits of Client's instructions, if any. The Company's sole responsibility is to its Client and this document does not exonerate parties to a transaction from exercising all their rights and obligations under the transaction documents. This document cannot be reproduced except in full, without prior written approval of the Company. Any unauthorized alteration, forgery or falsification of the content or appearance of this document is unlawful and offenders may be prosecuted to the fullest extent of the law.

5G NR n78_30kHz_FCC								
BW(MHz)	Modulation	RB Size	RB Offset	Conducted power (dBm)			Target Power + Max. Tolerance (dBm)	MPR Allowed per 3GPP(dB)
Frequency (MHz)				3744.99	3750	3755.01		
Channel				649666	645000	650334		
90	QPSK	1	1	19.37	19.60	19.58	20.00	0.0
5G NR n78_30kHz_FCC								
BW(MHz)	Modulation	RB Size	RB Offset	Conducted power (dBm)			Target Power + Max. Tolerance (dBm)	MPR Allowed per 3GPP(dB)
Frequency (MHz)				3740.01	3750	3759.99		
Channel				649334	645000	650666		
80	QPSK	1	1	19.45	19.57	19.53	20.00	0.0
5G NR n78_30kHz_FCC								
BW(MHz)	Modulation	RB Size	RB Offset	Conducted power (dBm)			Target Power + Max. Tolerance (dBm)	MPR Allowed per 3GPP(dB)
Frequency (MHz)				3729.99	3750	3770.01		
Channel				648666	645000	651334		
60	QPSK	1	1	19.52	19.54	19.64	20.00	0.0
5G NR n78_30kHz_FCC								
BW(MHz)	Modulation	RB Size	RB Offset	Conducted power (dBm)			Target Power + Max. Tolerance (dBm)	MPR Allowed per 3GPP(dB)
Frequency (MHz)				3725.01	3750	3774.99		
Channel				648334	645000	651666		
50	QPSK	1	1	19.54	19.47	19.65	20.00	0.0
5G NR n78_30kHz_FCC								
BW(MHz)	Modulation	RB Size	RB Offset	Conducted power (dBm)			Target Power + Max. Tolerance (dBm)	MPR Allowed per 3GPP(dB)
Frequency (MHz)				3720	3750	3780		
Channel				648000	645000	652000		
40	QPSK	1	1	19.40	19.52	19.57	20.00	0.0
5G NR n78_30kHz_FCC								
BW(MHz)	Modulation	RB Size	RB Offset	Conducted power (dBm)			Target Power + Max. Tolerance (dBm)	MPR Allowed per 3GPP(dB)
Frequency (MHz)				3710.01	3750	3789.99		
Channel				647334	645000	652666		
20	QPSK	1	1	19.48	19.49	19.67	20.00	0.0
5G NR n78_30kHz_FCC								
BW(MHz)	Modulation	RB Size	RB Offset	Conducted power (dBm)			Target Power + Max. Tolerance (dBm)	MPR Allowed per 3GPP(dB)
Frequency (MHz)				3707.49	3750	3792.51		
Channel				647166	645000	652834		
15	QPSK	1	1	19.51	19.56	19.64	20.00	0.0

Unless otherwise stated the results shown in this test report refer only to the sample(s) tested and such sample(s) are retained for 90 days only.

除非另有說明，此報告結果僅對測試之樣品負責，同時此樣品僅保留90天。本報告未經本公司書面許可，不可部份複製。

This document is issued by the Company subject to its General Conditions of Service printed overleaf, available on request or accessible at <http://www.sgs.com.tw/Terms-and-Conditions> and for electronic format documents, subject to Terms and Conditions for Electronic Documents at <http://www.sgs.com.tw/Terms-and-Conditions>. Attention is drawn to the limitation of liability, indemnification and jurisdiction issues defined therein. Any holder of this document is advised that information contained hereon reflects the Company's findings at the time of its intervention only and within the limits of Client's instructions, if any. The Company's sole responsibility is to its Client and this document does not exonerate parties to a transaction from exercising all their rights and obligations under the transaction documents. This document cannot be reproduced except in full, without prior written approval of the Company. Any unauthorized alteration, forgery or falsification of the content or appearance of this document is unlawful and offenders may be prosecuted to the fullest extent of the law.

5G NR n78_30kHz_FCC								
BW(MHz)	Modulation	RB Size	RB Offset	Conducted power (dBm)			Target Power + Max. Tolerance (dBm)	MPR Allowed per 3GPP(dB)
Frequency (MHz)				3705	3750	3795		
Channel				647000	645000	653000		
10	QPSK	1	1	19.44	19.51	19.62	20.00	0.0
5G NR n78_HPUE_30kHz_FCC								
BW(MHz)	Modulation	RB Size	RB Offset	Conducted power (dBm)			Target Power + Max. Tolerance (dBm)	MPR Allowed per 3GPP(dB)
Frequency (MHz)					3750			
Channel					650000			
100	QPSK	1	1		20.58		21.00	0.0
		1	137		20.40		21.00	0.0
		1	272		20.41		21.00	0.0
		135	0		19.46		20.00	1.0
		135	69		20.34		21.00	0.0
		135	138		19.34		20.00	1.0
	270	0		19.52		20.00	1.0	
	16-QAM	1	1		19.43		20.00	1.0
	64QAM	1	1		17.93		18.50	2.5
256-QAM	1	1		15.95		16.50	4.5	
5G NR n78_HPUE_30kHz_FCC								
BW(MHz)	Modulation	RB Size	RB Offset	Conducted power (dBm)			Target Power + Max. Tolerance (dBm)	MPR Allowed per 3GPP(dB)
Frequency (MHz)				3744.99	3750	3755.01		
Channel				649666	650000	650334		
90	QPSK	1	1	20.40	20.28	20.42	21.00	0.0
5G NR n78_HPUE_30kHz_FCC								
BW(MHz)	Modulation	RB Size	RB Offset	Conducted power (dBm)			Target Power + Max. Tolerance (dBm)	MPR Allowed per 3GPP(dB)
Frequency (MHz)				3740.01	3750	3759.99		
Channel				649334	645000	650666		
80	QPSK	1	1	20.24	20.30	20.41	21.00	0.0
5G NR n78_HPUE_30kHz_FCC								
BW(MHz)	Modulation	RB Size	RB Offset	Conducted power (dBm)			Target Power + Max. Tolerance (dBm)	MPR Allowed per 3GPP(dB)
Frequency (MHz)				3729.99	3750	3770.01		
Channel				648666	650000	651334		
60	QPSK	1	1	20.27	20.24	20.43	21.00	0.0
5G NR n78_HPUE_30kHz_FCC								
BW(MHz)	Modulation	RB Size	RB Offset	Conducted power (dBm)			Target Power + Max. Tolerance (dBm)	MPR Allowed per 3GPP(dB)
Frequency (MHz)				3725.01	3750	3774.99		
Channel				648334	645000	651666		
50	QPSK	1	1	20.25	20.34	20.41	21.00	0.0

Unless otherwise stated the results shown in this test report refer only to the sample(s) tested and such sample(s) are retained for 90 days only.

除非另有說明，此報告結果僅對測試之樣品負責，同時此樣品僅保留90天。本報告未經本公司書面許可，不可部份複製。

This document is issued by the Company subject to its General Conditions of Service printed overleaf, available on request or accessible at <http://www.sgs.com.tw/Terms-and-Conditions> and for electronic format documents, subject to Terms and Conditions for Electronic Documents at <http://www.sgs.com.tw/Terms-and-Conditions>. Attention is drawn to the limitation of liability, indemnification and jurisdiction issues defined therein. Any holder of this document is advised that information contained hereon reflects the Company's findings at the time of its intervention only and within the limits of Client's instructions, if any. The Company's sole responsibility is to its Client and this document does not exonerate parties to a transaction from exercising all their rights and obligations under the transaction documents. This document cannot be reproduced except in full, without prior written approval of the Company. Any unauthorized alteration, forgery or falsification of the content or appearance of this document is unlawful and offenders may be prosecuted to the fullest extent of the law.

5G NR n78_HPUE_30kHz_FCC								
BW(MHz)	Modulation	RB Size	RB Offset	Conducted power (dBm)			Target Power + Max. Tolerance (dBm)	MPR Allowed per 3GPP(dB)
Frequency (MHz)				3720	3750	3780		
Channel				648000	650000	652000		
40	QPSK	1	1	20.40	20.29	20.38	21.00	0.0
5G NR n78_30kHz_FCC								
BW(MHz)	Modulation	RB Size	RB Offset	Conducted power (dBm)			Target Power + Max. Tolerance (dBm)	MPR Allowed per 3GPP(dB)
Frequency (MHz)				3710.01	3750	3789.99		
Channel				647334	650000	652666		
20	QPSK	1	1	20.24	20.37	20.37	21.00	0.0
5G NR n78_HPUE_30kHz_FCC								
BW(MHz)	Modulation	RB Size	RB Offset	Conducted power (dBm)			Target Power + Max. Tolerance (dBm)	MPR Allowed per 3GPP(dB)
Frequency (MHz)				3707.49	3750	3792.51		
Channel				647166	645000	652834		
15	QPSK	1	1	20.35	20.37	20.46	21.00	0.0
5G NR n78_HPUE_30kHz_FCC								
BW(MHz)	Modulation	RB Size	RB Offset	Conducted power (dBm)			Target Power + Max. Tolerance (dBm)	MPR Allowed per 3GPP(dB)
Frequency (MHz)				3705	3750	3795		
Channel				647000	650000	653000		
10	QPSK	1	1	20.33	20.24	20.43	21.00	0.0

Unless otherwise stated the results shown in this test report refer only to the sample(s) tested and such sample(s) are retained for 90 days only.

除非另有說明，此報告結果僅對測試之樣品負責，同時此樣品僅保留90天。本報告未經本公司書面許可，不可部份複製。

This document is issued by the Company subject to its General Conditions of Service printed overleaf, available on request or accessible at <http://www.sgs.com.tw/Terms-and-Conditions> and for electronic format documents, subject to Terms and Conditions for Electronic Documents at <http://www.sgs.com.tw/Terms-and-Conditions>. Attention is drawn to the limitation of liability, indemnification and jurisdiction issues defined therein. Any holder of this document is advised that information contained hereon reflects the Company's findings at the time of its intervention only and within the limits of Client's instructions, if any. The Company's sole responsibility is to its Client and this document does not exonerate parties to a transaction from exercising all their rights and obligations under the transaction documents. This document cannot be reproduced except in full, without prior written approval of the Company. Any unauthorized alteration, forgery or falsification of the content or appearance of this document is unlawful and offenders may be prosecuted to the fullest extent of the law.

5G NR n38_30kHz								
BW(MHz)	Modulation	RB Size	RB Offset	Conducted power (dBm)			Target Power + Max. Tolerance (dBm)	MPR Allowed per 3GPP(dB)
Frequency (MHz)				2590	2595	2600		
Channel				518000	519000	520000		
40	CP-OFDM QPSK	1	1	15.48	15.43	15.36	15.50	1.5
		1	53	15.33	15.40	15.33	15.50	1.5
		1	104	15.34	15.26	15.16	15.50	1.5
		50	0	13.74	13.77	13.62	14.00	3.0
		50	28	15.32	15.31	15.30	15.50	1.5
		50	56	13.73	13.74	13.56	14.00	3.0
	100	0	13.79	13.76	13.61	14.00	3.0	
	16-QAM	1	1	14.33	14.25	14.20	15.00	2.0
64QAM	1	1	12.91	12.77	12.65	13.50	3.5	
256-QAM	1	1	10.12	10.17	10.04	10.50	6.5	

5G NR n38_30kHz								
BW(MHz)	Modulation	RB Size	RB Offset	Conducted power (dBm)			Target Power + Max. Tolerance (dBm)	MPR Allowed per 3GPP(dB)
Frequency (MHz)				2585	2595	2605		
Channel				517000	519000	521000		
30	CP-OFDM QPSK	1	1	15.37	15.24	15.25	15.50	1.5

5G NR n38_30kHz								
BW(MHz)	Modulation	RB Size	RB Offset	Conducted power (dBm)			Target Power + Max. Tolerance (dBm)	MPR Allowed per 3GPP(dB)
Frequency (MHz)				2580	2595	2610		
Channel				516000	519000	522000		
20	CP-OFDM QPSK	1	1	15.22	15.24	15.21	15.50	1.5

5G NR n38_30kHz								
BW(MHz)	Modulation	RB Size	RB Offset	Conducted power (dBm)			Target Power + Max. Tolerance (dBm)	MPR Allowed per 3GPP(dB)
Frequency (MHz)				2577.5	2595	2612.5		
Channel				515500	519000	522500		
15	CP-OFDM QPSK	1	1	15.35	15.36	15.20	15.50	1.5

5G NR n38_30kHz								
BW(MHz)	Modulation	RB Size	RB Offset	Conducted power (dBm)			Target Power + Max. Tolerance (dBm)	MPR Allowed per 3GPP(dB)
Frequency (MHz)				2575	2595	2615		
Channel				515000	519000	523000		
10	CP-OFDM QPSK	1	1	15.38	15.29	15.14	15.50	1.5

Unless otherwise stated the results shown in this test report refer only to the sample(s) tested and such sample(s) are retained for 90 days only.

除非另有說明，此報告結果僅對測試之樣品負責，同時此樣品僅保留90天。本報告未經本公司書面許可，不可部份複製。

This document is issued by the Company subject to its General Conditions of Service printed overleaf, available on request or accessible at <http://www.sgs.com.tw/Terms-and-Conditions> and for electronic format documents, subject to Terms and Conditions for Electronic Documents at <http://www.sgs.com.tw/Terms-and-Conditions>. Attention is drawn to the limitation of liability, indemnification and jurisdiction issues defined therein. Any holder of this document is advised that information contained hereon reflects the Company's findings at the time of its intervention only and within the limits of Client's instructions, if any. The Company's sole responsibility is to its Client and this document does not exonerate parties to a transaction from exercising all their rights and obligations under the transaction documents. This document cannot be reproduced except in full, without prior written approval of the Company. Any unauthorized alteration, forgery or falsification of the content or appearance of this document is unlawful and offenders may be prosecuted to the fullest extent of the law.

5G NR n41_30kHz								
BW(MHz)	Modulation	RB Size	RB Offset	Conducted power (dBm)			Target Power + Max. Tolerance (dBm)	MPR Allowed per 3GPP(dB)
Frequency (MHz)				2546.01	2592.99	2640		
Channel				509202	518598	528000		
100	CP-OFDM QPSK	1	1	15.39	15.45	15.36	15.50	1.5
		1	137	15.24	15.32	15.26	15.50	1.5
		1	271	15.31	15.27	15.20	15.50	1.5
		135	0	13.72	13.91	13.63	14.00	3.0
		135	69	15.19	15.30	15.14	15.50	1.5
		135	138	13.65	13.70	13.70	14.00	3.0
	270	0	13.76	13.80	13.77	14.00	3.0	
	16-QAM	1	1	14.20	14.38	14.22	15.00	2.0
	64QAM	1	1	12.69	12.72	12.64	13.50	3.5
256-QAM	1	1	10.11	10.16	10.01	10.50	6.5	
5G NR n41_30kHz								
BW(MHz)	Modulation	RB Size	RB Offset	Conducted power (dBm)			Target Power + Max. Tolerance (dBm)	MPR Allowed per 3GPP(dB)
Frequency (MHz)				2541	2592.99	2644.98		
Channel				508200	518598	528996		
90	CP-OFDM QPSK	1	1	15.23	15.30	15.20	15.50	1.5
5G NR n41_30kHz								
BW(MHz)	Modulation	RB Size	RB Offset	Conducted power (dBm)			Target Power + Max. Tolerance (dBm)	MPR Allowed per 3GPP(dB)
Frequency (MHz)				2536.02	2592.99	2649.99		
Channel				507204	518598	529998		
80	CP-OFDM QPSK	1	1	15.15	15.19	15.21	15.50	1.5
5G NR n41_30kHz								
BW(MHz)	Modulation	RB Size	RB Offset	Conducted power (dBm)			Target Power + Max. Tolerance (dBm)	MPR Allowed per 3GPP(dB)
Frequency (MHz)				2526	2592.99	2659.98		
Channel				505200	518598	531996		
60	CP-OFDM QPSK	1	1	15.16	15.29	15.27	15.50	1.5
5G NR n41_30kHz								
BW(MHz)	Modulation	RB Size	RB Offset	Conducted power (dBm)			Target Power + Max. Tolerance (dBm)	MPR Allowed per 3GPP(dB)
Frequency (MHz)				2521.02	2592.99	2664.99		
Channel				504204	518598	532998		
50	CP-OFDM QPSK	1	1	15.26	15.32	15.22	15.50	1.5
5G NR n41_30kHz								
BW(MHz)	Modulation	RB Size	RB Offset	Conducted power (dBm)			Target Power + Max. Tolerance (dBm)	MPR Allowed per 3GPP(dB)
Frequency (MHz)				2516.01	2592.99	2670		
Channel				503202	518598	534000		
40	CP-OFDM QPSK	1	1	15.33	15.18	15.28	15.50	1.5

Unless otherwise stated the results shown in this test report refer only to the sample(s) tested and such sample(s) are retained for 90 days only.

除非另有說明，此報告結果僅對測試之樣品負責，同時此樣品僅保留90天。本報告未經本公司書面許可，不可部份複製。

This document is issued by the Company subject to its General Conditions of Service printed overleaf, available on request or accessible at <http://www.sgs.com.tw/Terms-and-Conditions> and for electronic format documents, subject to Terms and Conditions for Electronic Documents at <http://www.sgs.com.tw/Terms-and-Conditions>. Attention is drawn to the limitation of liability, indemnification and jurisdiction issues defined therein. Any holder of this document is advised that information contained hereon reflects the Company's findings at the time of its intervention only and within the limits of Client's instructions, if any. The Company's sole responsibility is to its Client and this document does not exonerate parties to a transaction from exercising all their rights and obligations under the transaction documents. This document cannot be reproduced except in full, without prior written approval of the Company. Any unauthorized alteration, forgery or falsification of the content or appearance of this document is unlawful and offenders may be prosecuted to the fullest extent of the law.

5G NR n41_30kHz								
BW(MHz)	Modulation	RB Size	RB Offset	Conducted power (dBm)			Target Power + Max. Tolerance (dBm)	MPR Allowed per 3GPP(dB)
Frequency (MHz)				2506.02	2592.99	2679.99		
Channel				501204	518598	535998		
20	CP-OFDM QPSK	1	1	15.15	15.27	15.22	15.50	1.5
5G NR n48_30kHz								
BW(MHz)	Modulation	RB Size	RB Offset	Conducted power (dBm)			Target Power + Max. Tolerance (dBm)	MPR Allowed per 3GPP(dB)
Frequency (MHz)				3570	3625	3679.995		
Channel				638000	641668	645333		
40	CP-OFDM QPSK	1	1	15.37	15.33	15.25	15.50	1.5
		1	53	15.19	15.25	15.11	15.50	1.5
		1	104	15.21	15.24	15.15	15.50	1.5
		50	0	13.73	13.71	13.66	14.00	3.0
		50	28	15.22	15.09	15.12	15.50	1.5
		50	56	13.75	13.65	13.59	14.00	3.0
	100	0	13.72	13.73	13.67	14.00	3.0	
	16-QAM	1	1	14.25	14.21	14.11	15.00	2.0
64QAM	1	1	12.71	12.63	12.63	13.50	3.5	
256-QAM	1	1	9.98	9.99	10.00	10.50	6.5	
5G NR n48_30kHz								
BW(MHz)	Modulation	RB Size	RB Offset	Conducted power (dBm)			Target Power + Max. Tolerance (dBm)	MPR Allowed per 3GPP(dB)
Frequency (MHz)				3564.99	3625	3684.99		
Channel				637666	641668	645666		
30	CP-OFDM QPSK	1	1	15.28	15.13	15.04	15.50	1.5
5G NR n48_30kHz								
BW(MHz)	Modulation	RB Size	RB Offset	Conducted power (dBm)			Target Power + Max. Tolerance (dBm)	MPR Allowed per 3GPP(dB)
Frequency (MHz)				3559.995	3625	3690		
Channel				637333	641668	646000		
20	CP-OFDM QPSK	1	1	15.29	15.09	15.08	15.50	1.5
5G NR n48_30kHz								
BW(MHz)	Modulation	RB Size	RB Offset	Conducted power (dBm)			Target Power + Max. Tolerance (dBm)	MPR Allowed per 3GPP(dB)
Frequency (MHz)				3555	3625	3694.995		
Channel				637000	641668	646333		
10	CP-OFDM QPSK	1	1	15.24	15.15	15.06	15.50	1.5

Unless otherwise stated the results shown in this test report refer only to the sample(s) tested and such sample(s) are retained for 90 days only.

除非另有說明，此報告結果僅對測試之樣品負責，同時此樣品僅保留90天。本報告未經本公司書面許可，不可部份複製。

This document is issued by the Company subject to its General Conditions of Service printed overleaf, available on request or accessible at <http://www.sgs.com.tw/Terms-and-Conditions> and for electronic format documents, subject to Terms and Conditions for Electronic Documents at <http://www.sgs.com.tw/Terms-and-Conditions>. Attention is drawn to the limitation of liability, indemnification and jurisdiction issues defined therein. Any holder of this document is advised that information contained hereon reflects the Company's findings at the time of its intervention only and within the limits of Client's instructions, if any. The Company's sole responsibility is to its Client and this document does not exonerate parties to a transaction from exercising all their rights and obligations under the transaction documents. This document cannot be reproduced except in full, without prior written approval of the Company. Any unauthorized alteration, forgery or falsification of the content or appearance of this document is unlawful and offenders may be prosecuted to the fullest extent of the law.

5G NR n77_30kHz_FCC										
BW(MHz)	Modulation	RB Size	RB Offset	Conducted power (dBm)					Target Power + Max. Tolerance (dBm)	MPR Allowed per 3GPP(dB)
Frequency (MHz)				3750	3795	3840	3885	3930		
Channel				650000	653000	656000	659000	662000		
100	CP-OFDM QPSK	1	1	15.25	15.29	15.36	15.42	15.49	15.50	1.5
		1	137	15.02	15.20	15.21	15.35	15.28	15.50	1.5
		1	272	14.99	15.15	15.09	15.18	15.45	15.50	1.5
		135	0	13.64	13.55	13.67	13.79	13.86	14.00	3.0
		135	69	15.13	15.13	15.26	15.29	15.30	15.50	1.5
		135	138	13.57	13.63	13.75	13.74	13.77	14.00	3.0
	270	0	13.70	13.59	13.61	13.84	13.85	14.00	3.0	
	16-QAM	1	1	14.05	14.20	14.18	14.30	14.31	15.00	2.0
64QAM	1	1	12.51	12.61	12.71	12.82	12.83	13.50	3.5	
256-QAM	1	1	10.01	10.07	9.99	10.05	10.07	10.50	6.5	
5G NR n77_30kHz_FCC										
BW(MHz)	Modulation	RB Size	RB Offset	Conducted power (dBm)					Target Power + Max. Tolerance (dBm)	MPR Allowed per 3GPP(dB)
Frequency (MHz)				3744.99	3792.51	3840	3887.49	3935.01		
Channel				649666	652834	656000	659166	662334		
90	CP-OFDM QPSK	1	1	15.11	15.20	15.24	15.20	15.30	15.50	1.5
5G NR n77_30kHz_FCC										
BW(MHz)	Modulation	RB Size	RB Offset	Conducted power (dBm)					Target Power + Max. Tolerance (dBm)	MPR Allowed per 3GPP(dB)
Frequency (MHz)				3740.01	3789.99	3840	3890.01	3939.99		
Channel				649334	652666	656000	659334	662666		
80	CP-OFDM QPSK	1	1	15.11	15.12	15.17	15.30	15.28	15.50	1.5
5G NR n77_30kHz_FCC										
BW(MHz)	Modulation	RB Size	RB Offset	Conducted power (dBm)					Target Power + Max. Tolerance (dBm)	MPR Allowed per 3GPP(dB)
Frequency (MHz)				3729.99	3785.01	3840	3894.99	3950.01		
Channel				648666	652334	656000	659666	663334		
60	CP-OFDM QPSK	1	1	15.10	15.17	15.22	15.17	15.33	15.50	1.5
5G NR n77_30kHz_FCC										
BW(MHz)	Modulation	RB Size	RB Offset	Conducted power (dBm)					Target Power + Max. Tolerance (dBm)	MPR Allowed per 3GPP(dB)
Frequency (MHz)				3725.01	3782.49	3840	3897.51	3954.99		
Channel				648334	652166	656000	659834	663666		
50	CP-OFDM QPSK	1	1	15.01	15.03	15.10	15.30	15.31	15.50	1.5
5G NR n77_30kHz_FCC										
BW(MHz)	Modulation	RB Size	RB Offset	Conducted power (dBm)					Target Power + Max. Tolerance (dBm)	MPR Allowed per 3GPP(dB)
Frequency (MHz)				3720	3780	3840	3900	3960		
Channel				648000	652000	656000	660000	664000		
40	CP-OFDM QPSK	1	1	15.15	15.12	15.18	15.12	15.32	15.50	1.5
5G NR n77_30kHz_FCC										
BW(MHz)	Modulation	RB Size	RB Offset	Conducted power (dBm)					Target Power + Max. Tolerance (dBm)	MPR Allowed per 3GPP(dB)
Frequency (MHz)				3710.01	3774.99	3840	3903.99	3969.99		
Channel				647334	651666	656000	660266	664666		
20	CP-OFDM QPSK	1	1	15.19	15.21	15.24	15.20	15.34	15.50	1.5

Unless otherwise stated the results shown in this test report refer only to the sample(s) tested and such sample(s) are retained for 90 days only.

除非另有說明，此報告結果僅對測試之樣品負責，同時此樣品僅保留90天。本報告未經本公司書面許可，不可部份複製。

This document is issued by the Company subject to its General Conditions of Service printed overleaf, available on request or accessible at <http://www.sgs.com.tw/Terms-and-Conditions> and for electronic format documents, subject to Terms and Conditions for Electronic Documents at <http://www.sgs.com.tw/Terms-and-Conditions>. Attention is drawn to the limitation of liability, indemnification and jurisdiction issues defined therein. Any holder of this document is advised that information contained hereon reflects the Company's findings at the time of its intervention only and within the limits of Client's instructions, if any. The Company's sole responsibility is to its Client and this document does not exonerate parties to a transaction from exercising all their rights and obligations under the transaction documents. This document cannot be reproduced except in full, without prior written approval of the Company. Any unauthorized alteration, forgery or falsification of the content or appearance of this document is unlawful and offenders may be prosecuted to the fullest extent of the law.

5G NR n77_30kHz_FCC									
BW(MHz)	Modulation	RB Size	RB Offset	Conducted power (dBm)			Target Power + Max. Tolerance (dBm)	MPR Allowed per 3GPP(dB)	
Frequency (MHz)					3840				
Channel					656000				
15	CP-OFDM QPSK	1	1		15.15		15.50	1.5	
5G NR n77_30kHz_FCC									
BW(MHz)	Modulation	RB Size	RB Offset	Conducted power (dBm)			Target Power + Max. Tolerance (dBm)	MPR Allowed per 3GPP(dB)	
Frequency (MHz)					3840				
Channel					656000				
10	CP-OFDM QPSK	1	1		15.24		15.50	1.5	
5G NR n77 & n78_30kHz_FCC									
BW(MHz)	Modulation	RB Size	RB Offset	Conducted power (dBm)			Target Power + Max. Tolerance (dBm)	MPR Allowed per 3GPP(dB)	
Frequency (MHz)					3499.995				
Channel					633333				
100	CP-OFDM QPSK	1	1		15.38		15.50	1.5	
		1	137		15.21		15.50	1.5	
		1	272		15.20		15.50	1.5	
		135	0		13.75		14.00	3.0	
		135	69		15.21		15.50	1.5	
		135	138		13.59		14.00	3.0	
	270	0		13.62		14.00	3.0		
	16-QAM	1	1		14.21		15.00	2.0	
	64QAM	1	1		12.78		13.50	3.5	
256-QAM	1	1		10.09		10.50	6.5		
5G NR n77 & n78_30kHz_FCC									
BW(MHz)	Modulation	RB Size	RB Offset	Conducted power (dBm)			Target Power + Max. Tolerance (dBm)	MPR Allowed per 3GPP(dB)	
Frequency (MHz)				3495	3499.995	3504.99			
Channel				633000	633333	633666			
90	CP-OFDM QPSK	1	1	15.17	15.10	15.24	15.50	1.5	
5G NR n77 & n78_30kHz_FCC									
BW(MHz)	Modulation	RB Size	RB Offset	Conducted power (dBm)			Target Power + Max. Tolerance (dBm)	MPR Allowed per 3GPP(dB)	
Frequency (MHz)				3490.005	3499.995	3510			
Channel				632667	633333	634000			
80	CP-OFDM QPSK	1	1	15.15	15.05	15.20	15.50	1.5	
5G NR n77 & n78_30kHz_FCC									
BW(MHz)	Modulation	RB Size	RB Offset	Conducted power (dBm)			Target Power + Max. Tolerance (dBm)	MPR Allowed per 3GPP(dB)	
Frequency (MHz)				3480	3499.995	3519.99			
Channel				632000	633333	634666			
60	CP-OFDM QPSK	1	1	15.28	15.05	15.27	15.50	1.5	

Unless otherwise stated the results shown in this test report refer only to the sample(s) tested and such sample(s) are retained for 90 days only.

除非另有說明，此報告結果僅對測試之樣品負責，同時此樣品僅保留90天。本報告未經本公司書面許可，不可部份複製。

This document is issued by the Company subject to its General Conditions of Service printed overleaf, available on request or accessible at <http://www.sgs.com.tw/Terms-and-Conditions> and for electronic format documents, subject to Terms and Conditions for Electronic Documents at <http://www.sgs.com.tw/Terms-and-Conditions>. Attention is drawn to the limitation of liability, indemnification and jurisdiction issues defined therein. Any holder of this document is advised that information contained hereon reflects the Company's findings at the time of its intervention only and within the limits of Client's instructions, if any. The Company's sole responsibility is to its Client and this document does not exonerate parties to a transaction from exercising all their rights and obligations under the transaction documents. This document cannot be reproduced except in full, without prior written approval of the Company. Any unauthorized alteration, forgery or falsification of the content or appearance of this document is unlawful and offenders may be prosecuted to the fullest extent of the law.

5G NR n77 & n78_30kHz_FCC								
BW(MHz)	Modulation	RB Size	RB Offset	Conducted power (dBm)			Target Power + Max. Tolerance (dBm)	MPR Allowed per 3GPP(dB)
Frequency (MHz)				3475.005	3499.995	3525		
Channel				631667	633333	635000		
50	CP-OFDM QPSK	1	1	15.15	15.17	15.31	15.50	1.5
5G NR n77 & n78_30kHz_FCC								
BW(MHz)	Modulation	RB Size	RB Offset	Conducted power (dBm)			Target Power + Max. Tolerance (dBm)	MPR Allowed per 3GPP(dB)
Frequency (MHz)				3470.01	3499.995	3529.995		
Channel				631334	633333	635333		
40	CP-OFDM QPSK	1	1	15.18	15.09	15.24	15.50	1.5
5G NR n77 & n78_30kHz_FCC								
BW(MHz)	Modulation	RB Size	RB Offset	Conducted power (dBm)			Target Power + Max. Tolerance (dBm)	MPR Allowed per 3GPP(dB)
Frequency (MHz)				3460.005	3499.995	3540		
Channel				630667	633333	636000		
20	CP-OFDM QPSK	1	1	15.26	15.10	15.26	15.50	1.5
5G NR n77 & n78_30kHz_FCC								
BW(MHz)	Modulation	RB Size	RB Offset	Conducted power (dBm)			Target Power + Max. Tolerance (dBm)	MPR Allowed per 3GPP(dB)
Frequency (MHz)				3457.5	3499.995	3542.49		
Channel				630500	633333	636166		
15	CP-OFDM QPSK	1	1	15.19	15.08	15.29	15.50	1.5
5G NR n77 & n78_30kHz_FCC								
BW(MHz)	Modulation	RB Size	RB Offset	Conducted power (dBm)			Target Power + Max. Tolerance (dBm)	MPR Allowed per 3GPP(dB)
Frequency (MHz)				3455.01	3499.995	3544.995		
Channel				630334	633333	636333		
10	CP-OFDM QPSK	1	1	15.14	15.16	15.13	15.50	1.5
5G NR n78_30kHz_FCC								
BW(MHz)	Modulation	RB Size	RB Offset	Conducted power (dBm)			Target Power + Max. Tolerance (dBm)	MPR Allowed per 3GPP(dB)
Frequency (MHz)					3750			
Channel					645000			
100	CP-OFDM QPSK	1	1		15.33		15.50	1.5
		1	137		15.12		15.50	1.5
		1	272		15.22		15.50	1.5
		135	0		13.55		14.00	3.0
		135	69		15.23		15.50	1.5
		135	138		13.81		14.00	3.0
		270	0		13.62		14.00	3.0
	16-QAM	1	1		14.26		15.00	2.0
	64QAM	1	1		12.79		13.50	3.5
256-QAM	1	1		10.06		10.50	6.5	

Unless otherwise stated the results shown in this test report refer only to the sample(s) tested and such sample(s) are retained for 90 days only.

除非另有說明，此報告結果僅對測試之樣品負責，同時此樣品僅保留90天。本報告未經本公司書面許可，不可部份複製。

This document is issued by the Company subject to its General Conditions of Service printed overleaf, available on request or accessible at <http://www.sgs.com.tw/Terms-and-Conditions> and for electronic format documents, subject to Terms and Conditions for Electronic Documents at <http://www.sgs.com.tw/Terms-and-Conditions>. Attention is drawn to the limitation of liability, indemnification and jurisdiction issues defined therein. Any holder of this document is advised that information contained hereon reflects the Company's findings at the time of its intervention only and within the limits of Client's instructions, if any. The Company's sole responsibility is to its Client and this document does not exonerate parties to a transaction from exercising all their rights and obligations under the transaction documents. This document cannot be reproduced except in full, without prior written approval of the Company. Any unauthorized alteration, forgery or falsification of the content or appearance of this document is unlawful and offenders may be prosecuted to the fullest extent of the law.

5G NR n78_30kHz_FCC								
BW(MHz)	Modulation	RB Size	RB Offset	Conducted power (dBm)			Target Power + Max. Tolerance (dBm)	MPR Allowed per 3GPP(dB)
Frequency (MHz)				3744.99	3750	3755.01		
Channel				649666	645000	650334		
90	CP-OFDM QPSK	1	1	15.16	15.00	15.06	15.50	1.5
5G NR n78_30kHz_FCC								
BW(MHz)	Modulation	RB Size	RB Offset	Conducted power (dBm)			Target Power + Max. Tolerance (dBm)	MPR Allowed per 3GPP(dB)
Frequency (MHz)				3740.01	3750	3759.99		
Channel				649334	645000	650666		
80	CP-OFDM QPSK	1	1	15.09	15.09	15.20	15.50	1.5
5G NR n78_30kHz_FCC								
BW(MHz)	Modulation	RB Size	RB Offset	Conducted power (dBm)			Target Power + Max. Tolerance (dBm)	MPR Allowed per 3GPP(dB)
Frequency (MHz)				3729.99	3750	3770.01		
Channel				648666	645000	651334		
60	CP-OFDM QPSK	1	1	15.07	15.09	15.15	15.50	1.5
5G NR n78_30kHz_FCC								
BW(MHz)	Modulation	RB Size	RB Offset	Conducted power (dBm)			Target Power + Max. Tolerance (dBm)	MPR Allowed per 3GPP(dB)
Frequency (MHz)				3725.01	3750	3774.99		
Channel				648334	645000	651666		
50	CP-OFDM QPSK	1	1	15.09	15.15	15.25	15.50	1.5
5G NR n78_30kHz_FCC								
BW(MHz)	Modulation	RB Size	RB Offset	Conducted power (dBm)			Target Power + Max. Tolerance (dBm)	MPR Allowed per 3GPP(dB)
Frequency (MHz)				3720	3750	3780		
Channel				648000	645000	652000		
40	CP-OFDM QPSK	1	1	15.01	15.09	15.09	15.50	1.5
5G NR n78_30kHz_FCC								
BW(MHz)	Modulation	RB Size	RB Offset	Conducted power (dBm)			Target Power + Max. Tolerance (dBm)	MPR Allowed per 3GPP(dB)
Frequency (MHz)				3710.01	3750	3789.99		
Channel				647334	645000	652666		
20	CP-OFDM QPSK	1	1	15.15	15.12	15.12	15.50	1.5

Unless otherwise stated the results shown in this test report refer only to the sample(s) tested and such sample(s) are retained for 90 days only.

除非另有說明，此報告結果僅對測試之樣品負責，同時此樣品僅保留90天。本報告未經本公司書面許可，不可部份複製。

This document is issued by the Company subject to its General Conditions of Service printed overleaf, available on request or accessible at <http://www.sgs.com.tw/Terms-and-Conditions> and for electronic format documents, subject to Terms and Conditions for Electronic Documents at <http://www.sgs.com.tw/Terms-and-Conditions>. Attention is drawn to the limitation of liability, indemnification and jurisdiction issues defined therein. Any holder of this document is advised that information contained hereon reflects the Company's findings at the time of its intervention only and within the limits of Client's instructions, if any. The Company's sole responsibility is to its Client and this document does not exonerate parties to a transaction from exercising all their rights and obligations under the transaction documents. This document cannot be reproduced except in full, without prior written approval of the Company. Any unauthorized alteration, forgery or falsification of the content or appearance of this document is unlawful and offenders may be prosecuted to the fullest extent of the law.

5G NR n78_30kHz_FCC								
BW(MHz)	Modulation	RB Size	RB Offset	Conducted power (dBm)			Target Power + Max. Tolerance (dBm)	MPR Allowed per 3GPP(dB)
Frequency (MHz)				3707.49	3750	3792.51		
Channel				647166	645000	652834		
15	CP-OFDM QPSK	1	1	15.05	15.12	15.25	15.50	1.5

5G NR n78_30kHz_FCC								
BW(MHz)	Modulation	RB Size	RB Offset	Conducted power (dBm)			Target Power + Max. Tolerance (dBm)	MPR Allowed per 3GPP(dB)
Frequency (MHz)				3705	3750	3795		
Channel				647000	645000	653000		
10	CP-OFDM QPSK	1	1	14.99	15.03	15.25	15.50	1.5

Unless otherwise stated the results shown in this test report refer only to the sample(s) tested and such sample(s) are retained for 90 days only.

除非另有說明，此報告結果僅對測試之樣品負責，同時此樣品僅保留90天。本報告未經本公司書面許可，不可部份複製。

This document is issued by the Company subject to its General Conditions of Service printed overleaf, available on request or accessible at <http://www.sgs.com.tw/Terms-and-Conditions> and for electronic format documents, subject to Terms and Conditions for Electronic Documents at <http://www.sgs.com.tw/Terms-and-Conditions>. Attention is drawn to the limitation of liability, indemnification and jurisdiction issues defined therein. Any holder of this document is advised that information contained hereon reflects the Company's findings at the time of its intervention only and within the limits of Client's instructions, if any. The Company's sole responsibility is to its Client and this document does not exonerate parties to a transaction from exercising all their rights and obligations under the transaction documents. This document cannot be reproduced except in full, without prior written approval of the Company. Any unauthorized alteration, forgery or falsification of the content or appearance of this document is unlawful and offenders may be prosecuted to the fullest extent of the law.

5G NR n38_30kHz								
BW(MHz)	Modulation	RB Size	RB Offset	Conducted power (dBm)			Target Power + Max. Tolerance (dBm)	MPR Allowed per 3GPP(dB)
Frequency (MHz)				2590	2595	2600		
Channel				518000	519000	520000		
40	QPSK	1	1	19.63	19.54	19.58	20.00	0.0
		1	53	19.57	19.35	19.33	20.00	0.0
		1	104	19.47	19.37	19.39	20.00	0.0
		50	0	18.47	18.37	18.40	19.00	1.0
		50	28	19.52	19.46	19.41	20.00	0.0
		50	56	18.40	18.35	18.45	19.00	1.0
	100	0	18.40	18.46	18.41	19.00	1.0	
	16-QAM	1	1	18.51	18.45	18.36	19.00	1.0
	64QAM	1	1	16.91	16.86	16.93	17.50	2.5
256-QAM	1	1	15.02	14.81	14.90	15.50	4.5	
5G NR n38_30kHz								
BW(MHz)	Modulation	RB Size	RB Offset	Conducted power (dBm)			Target Power + Max. Tolerance (dBm)	MPR Allowed per 3GPP(dB)
Frequency (MHz)				2585	2595	2605		
Channel				517000	519000	521000		
30	QPSK	1	1	19.34	19.34	19.31	20.00	0.0
5G NR n38_30kHz								
BW(MHz)	Modulation	RB Size	RB Offset	Conducted power (dBm)			Target Power + Max. Tolerance (dBm)	MPR Allowed per 3GPP(dB)
Frequency (MHz)				2580	2595	2610		
Channel				516000	519000	522000		
20	QPSK	1	1	19.56	19.33	19.36	20.00	0.0
5G NR n38_30kHz								
BW(MHz)	Modulation	RB Size	RB Offset	Conducted power (dBm)			Target Power + Max. Tolerance (dBm)	MPR Allowed per 3GPP(dB)
Frequency (MHz)				2577.5	2595	2612.5		
Channel				515500	519000	522500		
15	QPSK	1	1	19.47	19.35	19.38	20.00	0.0
5G NR n38_30kHz								
BW(MHz)	Modulation	RB Size	RB Offset	Conducted power (dBm)			Target Power + Max. Tolerance (dBm)	MPR Allowed per 3GPP(dB)
Frequency (MHz)				2575	2595	2615		
Channel				515000	519000	523000		
10	QPSK	1	1	19.38	19.36	19.31	20.00	0.0

Unless otherwise stated the results shown in this test report refer only to the sample(s) tested and such sample(s) are retained for 90 days only.

除非另有說明，此報告結果僅對測試之樣品負責，同時此樣品僅保留90天。本報告未經本公司書面許可，不可部份複製。

This document is issued by the Company subject to its General Conditions of Service printed overleaf, available on request or accessible at <http://www.sgs.com.tw/Terms-and-Conditions> and for electronic format documents, subject to Terms and Conditions for Electronic Documents at <http://www.sgs.com.tw/Terms-and-Conditions>. Attention is drawn to the limitation of liability, indemnification and jurisdiction issues defined therein. Any holder of this document is advised that information contained hereon reflects the Company's findings at the time of its intervention only and within the limits of Client's instructions, if any. The Company's sole responsibility is to its Client and this document does not exonerate parties to a transaction from exercising all their rights and obligations under the transaction documents. This document cannot be reproduced except in full, without prior written approval of the Company. Any unauthorized alteration, forgery or falsification of the content or appearance of this document is unlawful and offenders may be prosecuted to the fullest extent of the law.

5G NR n38_30kHz_HPUE								
BW(MHz)	Modulation	RB Size	RB Offset	Conducted power (dBm)			Target Power + Max. Tolerance (dBm)	MPR Allowed per 3GPP(dB)
Frequency (MHz)				2590	2595	2600		
Channel				518000	519000	520000		
40	QPSK	1	1	20.64	20.59	20.55	21.00	0.0
		1	53	20.50	20.53	20.37	21.00	0.0
		1	104	20.40	20.49	20.42	21.00	0.0
		50	0	19.58	19.35	19.42	20.00	1.0
		50	28	20.43	20.50	20.33	21.00	0.0
		50	56	19.42	19.47	19.52	20.00	1.0
	100	0	19.51	19.44	19.31	20.00	1.0	
	16-QAM	1	1	19.37	19.41	19.44	20.00	1.0
	64QAM	1	1	17.97	17.91	17.90	18.50	2.5
256-QAM	1	1	15.96	15.81	15.81	16.50	4.5	
5G NR n38_30kHz_HPUE								
BW(MHz)	Modulation	RB Size	RB Offset	Conducted power (dBm)			Target Power + Max. Tolerance (dBm)	MPR Allowed per 3GPP(dB)
Frequency (MHz)				2585	2595	2605		
Channel				517000	519000	521000		
30	QPSK	1	1	20.45	20.54	20.32	21.00	0.0
5G NR n38_30kHz_HPUE								
BW(MHz)	Modulation	RB Size	RB Offset	Conducted power (dBm)			Target Power + Max. Tolerance (dBm)	MPR Allowed per 3GPP(dB)
Frequency (MHz)				2580	2595	2610		
Channel				516000	519000	522000		
20	QPSK	1	1	20.55	20.45	20.41	21.00	0.0
5G NR n38_30kHz_HPUE								
BW(MHz)	Modulation	RB Size	RB Offset	Conducted power (dBm)			Target Power + Max. Tolerance (dBm)	MPR Allowed per 3GPP(dB)
Frequency (MHz)				2577.5	2595	2612.5		
Channel				515500	519000	522500		
15	QPSK	1	1	20.55	20.39	20.39	21.00	0.0
5G NR n38_30kHz_HPUE								
BW(MHz)	Modulation	RB Size	RB Offset	Conducted power (dBm)			Target Power + Max. Tolerance (dBm)	MPR Allowed per 3GPP(dB)
Frequency (MHz)				2575	2595	2615		
Channel				515000	519000	523000		
10	QPSK	1	1	20.48	20.42	20.35	21.00	0.0
5G NR n41_30kHz								
BW(MHz)	Modulation	RB Size	RB Offset	Conducted power (dBm)			Target Power + Max. Tolerance (dBm)	MPR Allowed per 3GPP(dB)
Frequency (MHz)				2546.01	2592.99	2640		
Channel				509202	518598	528000		
100	QPSK	1	1	19.74	19.53	19.69	20.00	0.0
		1	137	19.56	19.45	19.47	20.00	0.0
		1	271	19.57	19.38	19.50	20.00	0.0
		135	0	18.52	18.45	18.63	19.00	1.0
		135	69	19.65	19.30	19.53	20.00	0.0
		135	138	18.67	18.35	18.54	19.00	1.0
		270	0	18.72	18.37	18.50	19.00	1.0
	16-QAM	1	1	18.61	18.43	18.60	19.00	1.0
	64QAM	1	1	17.10	16.92	17.08	17.50	2.5
256-QAM	1	1	15.04	14.82	15.14	15.50	4.5	

Unless otherwise stated the results shown in this test report refer only to the sample(s) tested and such sample(s) are retained for 90 days only.

除非另有說明，此報告結果僅對測試之樣品負責，同時此樣品僅保留90天。本報告未經本公司書面許可，不可部份複製。

This document is issued by the Company subject to its General Conditions of Service printed overleaf, available on request or accessible at <http://www.sgs.com.tw/Terms-and-Conditions> and for electronic format documents, subject to Terms and Conditions for Electronic Documents at <http://www.sgs.com.tw/Terms-and-Conditions>. Attention is drawn to the limitation of liability, indemnification and jurisdiction issues defined therein. Any holder of this document is advised that information contained hereon reflects the Company's findings at the time of its intervention only and within the limits of Client's instructions, if any. The Company's sole responsibility is to its Client and this document does not exonerate parties to a transaction from exercising all their rights and obligations under the transaction documents. This document cannot be reproduced except in full, without prior written approval of the Company. Any unauthorized alteration, forgery or falsification of the content or appearance of this document is unlawful and offenders may be prosecuted to the fullest extent of the law.

5G NR n41_30kHz								
BW(MHz)	Modulation	RB Size	RB Offset	Conducted power (dBm)			Target Power + Max. Tolerance (dBm)	MPR Allowed per 3GPP(dB)
Frequency (MHz)				2541	2592.99	2644.98		
Channel				508200	518598	528996		
90	Pi/2 BPSK	1	1	19.55	19.38	19.66	20.00	0.0
5G NR n41_30kHz								
BW(MHz)	Modulation	RB Size	RB Offset	Conducted power (dBm)			Target Power + Max. Tolerance (dBm)	MPR Allowed per 3GPP(dB)
Frequency (MHz)				2536.02	2592.99	2649.99		
Channel				507204	518598	529998		
80	Pi/2 BPSK	1	1	19.52	19.35	19.65	20.00	0.0
5G NR n41_30kHz								
BW(MHz)	Modulation	RB Size	RB Offset	Conducted power (dBm)			Target Power + Max. Tolerance (dBm)	MPR Allowed per 3GPP(dB)
Frequency (MHz)				2526	2592.99	2659.98		
Channel				505200	518598	531996		
60	Pi/2 BPSK	1	1	19.44	19.37	19.49	20.00	0.0
5G NR n41_30kHz								
BW(MHz)	Modulation	RB Size	RB Offset	Conducted power (dBm)			Target Power + Max. Tolerance (dBm)	MPR Allowed per 3GPP(dB)
Frequency (MHz)				2521.02	2592.99	2664.99		
Channel				504204	518598	532998		
50	Pi/2 BPSK	1	1	19.63	19.34	19.63	20.00	0.0
5G NR n41_30kHz								
BW(MHz)	Modulation	RB Size	RB Offset	Conducted power (dBm)			Target Power + Max. Tolerance (dBm)	MPR Allowed per 3GPP(dB)
Frequency (MHz)				2516.01	2592.99	2670		
Channel				503202	518598	534000		
40	Pi/2 BPSK	1	1	19.51	19.34	19.49	20.00	0.0
5G NR n41_30kHz								
BW(MHz)	Modulation	RB Size	RB Offset	Conducted power (dBm)			Target Power + Max. Tolerance (dBm)	MPR Allowed per 3GPP(dB)
Frequency (MHz)				2506.02	2592.99	2679.99		
Channel				501204	518598	535998		
20	Pi/2 BPSK	1	1	19.54	19.36	19.57	20.00	0.0
5G NR n41_HPUE_30kHz								
BW(MHz)	Modulation	RB Size	RB Offset	Conducted power (dBm)			Target Power + Max. Tolerance (dBm)	MPR Allowed per 3GPP(dB)
Frequency (MHz)				2546.01	2592.99	2640		
Channel				509202	518598	528000		
100	QPSK	1	1	19.99	19.84	19.79	20.00	0.0
		1	137	19.89	19.58	19.57	20.00	0.0
		1	271	19.78	19.75	19.69	20.00	0.0
		135	0	18.93	18.67	18.75	19.00	1.0
		135	69	19.92	19.72	19.59	20.00	0.0
		135	138	18.71	18.63	18.71	19.00	1.0
		270	0	18.83	18.69	18.54	19.00	1.0
	16-QAM	1	1	18.65	18.81	18.91	19.00	1.0
64QAM	1	1	17.13	17.21	17.33	17.50	2.5	
256-QAM	1	1	15.24	15.20	15.37	15.50	4.5	

Unless otherwise stated the results shown in this test report refer only to the sample(s) tested and such sample(s) are retained for 90 days only.

除非另有說明，此報告結果僅對測試之樣品負責，同時此樣品僅保留90天。本報告未經本公司書面許可，不可部份複製。

This document is issued by the Company subject to its General Conditions of Service printed overleaf, available on request or accessible at <http://www.sgs.com.tw/Terms-and-Conditions> and for electronic format documents, subject to Terms and Conditions for Electronic Documents at <http://www.sgs.com.tw/Terms-and-Conditions>. Attention is drawn to the limitation of liability, indemnification and jurisdiction issues defined therein. Any holder of this document is advised that information contained hereon reflects the Company's findings at the time of its intervention only and within the limits of Client's instructions, if any. The Company's sole responsibility is to its Client and this document does not exonerate parties to a transaction from exercising all their rights and obligations under the transaction documents. This document cannot be reproduced except in full, without prior written approval of the Company. Any unauthorized alteration, forgery or falsification of the content or appearance of this document is unlawful and offenders may be prosecuted to the fullest extent of the law.

5G NR n41_HPUE_30kHz								
BW(MHz)	Modulation	RB Size	RB Offset	Conducted power (dBm)			Target Power + Max. Tolerance (dBm)	MPR Allowed per 3GPP(dB)
Frequency (MHz)				2541	2592.99	2644.98		
Channel				508200	518598	528996		
90	Pi/2 BPSK	1	1	19.68	19.79	19.84	20.00	0.0
5G NR n41_HPUE_30kHz								
BW(MHz)	Modulation	RB Size	RB Offset	Conducted power (dBm)			Target Power + Max. Tolerance (dBm)	MPR Allowed per 3GPP(dB)
Frequency (MHz)				2536.02	2592.99	2649.99		
Channel				507204	518598	529998		
80	Pi/2 BPSK	1	1	19.62	19.65	19.79	20.00	0.0
5G NR n41_HPUE_30kHz								
BW(MHz)	Modulation	RB Size	RB Offset	Conducted power (dBm)			Target Power + Max. Tolerance (dBm)	MPR Allowed per 3GPP(dB)
Frequency (MHz)				2526	2592.99	2659.98		
Channel				505200	518598	531996		
60	Pi/2 BPSK	1	1	19.73	19.61	19.81	20.00	0.0
5G NR n41_HPUE_30kHz								
BW(MHz)	Modulation	RB Size	RB Offset	Conducted power (dBm)			Target Power + Max. Tolerance (dBm)	MPR Allowed per 3GPP(dB)
Frequency (MHz)				2521.02	2592.99	2664.99		
Channel				504204	518598	532998		
50	Pi/2 BPSK	1	1	19.71	19.72	19.87	20.00	0.0
5G NR n41_HPUE_30kHz								
BW(MHz)	Modulation	RB Size	RB Offset	Conducted power (dBm)			Target Power + Max. Tolerance (dBm)	MPR Allowed per 3GPP(dB)
Frequency (MHz)				2516.01	2592.99	2670		
Channel				503202	518598	534000		
40	Pi/2 BPSK	1	1	19.64	19.63	19.81	20.00	0.0
5G NR n41_HPUE_30kHz								
BW(MHz)	Modulation	RB Size	RB Offset	Conducted power (dBm)			Target Power + Max. Tolerance (dBm)	MPR Allowed per 3GPP(dB)
Frequency (MHz)				2506.02	2592.99	2679.99		
Channel				501204	518598	535998		
20	Pi/2 BPSK	1	1	19.69	19.65	19.83	20.00	0.0
5G NR n48_30kHz								
BW(MHz)	Modulation	RB Size	RB Offset	Conducted power (dBm)			Target Power + Max. Tolerance (dBm)	MPR Allowed per 3GPP(dB)
Frequency (MHz)				3570	3625	3679.995		
Channel				638000	641668	645333		
40	Pi/2 BPSK	1	1	19.61	19.66	19.62	20.00	0.0
		1	53	19.46	19.48	19.59	20.00	0.0
		1	104	19.40	19.37	19.37	20.00	0.0
		50	0	18.44	18.54	18.51	19.00	1.0
		50	28	19.32	19.50	19.55	20.00	0.0
		50	56	18.55	18.54	18.39	19.00	1.0
		100	0	18.46	18.51	18.47	19.00	1.0
	16-QAM	1	1	18.41	18.55	18.46	19.00	1.0
	64QAM	1	1	17.07	17.08	16.89	17.50	2.5
256-QAM	1	1	14.96	15.03	15.07	15.50	4.5	

Unless otherwise stated the results shown in this test report refer only to the sample(s) tested and submitted. Sample(s) are retained for 90 days only.

除非另有說明，此報告結果僅對測試之樣品負責，同時此樣品僅保留90天。本報告未經本公司書面許可，不可部份複製。

This document is issued by the Company subject to its General Conditions of Service printed overleaf, available on request or accessible at <http://www.sgs.com.tw/Terms-and-Conditions> and for electronic format documents, subject to Terms and Conditions for Electronic Documents at <http://www.sgs.com.tw/Terms-and-Conditions>. Attention is drawn to the limitation of liability, indemnification and jurisdiction issues defined therein. Any holder of this document is advised that information contained hereon reflects the Company's findings at the time of its intervention only and within the limits of Client's instructions, if any. The Company's sole responsibility is to its Client and this document does not exonerate parties to a transaction from exercising all their rights and obligations under the transaction documents. This document cannot be reproduced except in full, without prior written approval of the Company. Any unauthorized alteration, forgery or falsification of the content or appearance of this document is unlawful and offenders may be prosecuted to the fullest extent of the law.

5G NR n48_30kHz								
BW(MHz)	Modulation	RB Size	RB Offset	Conducted power (dBm)			Target Power + Max. Tolerance (dBm)	MPR Allowed per 3GPP(dB)
Frequency (MHz)				3564.99	3625	3684.99		
Channel				637666	641668	645666		
30	Pi/2 BPSK	1	1	19.38	19.55	19.49	20.00	0.0
5G NR n48_30kHz								
BW(MHz)	Modulation	RB Size	RB Offset	Conducted power (dBm)			Target Power + Max. Tolerance (dBm)	MPR Allowed per 3GPP(dB)
Frequency (MHz)				3559.995	3625	3690		
Channel				637333	641668	646000		
20	Pi/2 BPSK	1	1	19.46	19.49	19.37	20.00	0.0
5G NR n48_30kHz								
BW(MHz)	Modulation	RB Size	RB Offset	Conducted power (dBm)			Target Power + Max. Tolerance (dBm)	MPR Allowed per 3GPP(dB)
Frequency (MHz)				3555	3625	3694.995		
Channel				637000	641668	646333		
10	Pi/2 BPSK	1	1	19.36	19.56	19.47	20.00	0.0

Unless otherwise stated the results shown in this test report refer only to the sample(s) tested and such sample(s) are retained for 90 days only.

除非另有說明，此報告結果僅對測試之樣品負責，同時此樣品僅保留90天。本報告未經本公司書面許可，不可部份複製。

This document is issued by the Company subject to its General Conditions of Service printed overleaf, available on request or accessible at <http://www.sgs.com.tw/Terms-and-Conditions> and for electronic format documents, subject to Terms and Conditions for Electronic Documents at <http://www.sgs.com.tw/Terms-and-Conditions>. Attention is drawn to the limitation of liability, indemnification and jurisdiction issues defined therein. Any holder of this document is advised that information contained hereon reflects the Company's findings at the time of its intervention only and within the limits of Client's instructions, if any. The Company's sole responsibility is to its Client and this document does not exonerate parties to a transaction from exercising all their rights and obligations under the transaction documents. This document cannot be reproduced except in full, without prior written approval of the Company. Any unauthorized alteration, forgery or falsification of the content or appearance of this document is unlawful and offenders may be prosecuted to the fullest extent of the law.

Ant 1							
Band	Mode	Channel	Frequency (MHz)	Data Rate	Set	Max. Rated Avg. Power + Max. Tolerance (dBm)	Average power (dBm)
2.45GHz	802.11b	1	2412	1Mbps	20.500	20.50	19.96
		6	2437		20.500	20.50	20.03
		11	2462		20.500	20.50	19.97
	802.11g	1	2412	6Mbps	15.000	15.50	14.64
		6	2437		16.000	15.50	15.46
		11	2462		16.000	15.50	15.37
	802.11n20-HT0	1	2412	MCS0	14.500	15.50	13.93
		6	2437		16.000	15.50	15.38
		11	2462		16.000	15.50	15.27
	802.11ac20-VHT0	1	2412	MCS0	14.500	15.50	13.88
		6	2437		16.000	15.50	15.32
		11	2462		16.000	15.50	15.25
	802.11n40-HT0	3	2422	MCS0	12.000	12.00	11.83
		6	2437		16.000	16.00	15.67
		9	2452		15.000	15.00	14.75
	802.11ac40-VHT0	3	2422	MCS0	12.000	12.00	11.79
		6	2437		16.000	16.00	15.49
		9	2452		15.000	15.00	14.73
Ant 1							
Band	Mode	Channel	Frequency (MHz)	Data Rate	Set	Max. Rated Avg. Power + Max. Tolerance (dBm)	Average power (dBm)
5.15-5.25 GHz	802.11a	36	5180	6Mbps	20.000	19.00	18.52
		40	5200		20.000	19.00	18.42
		44	5220		20.000	19.00	18.50
		48	5240		20.000	19.00	18.48
	802.11n20-HT0	36	5180	MCS0	20.000	19.00	18.29
		40	5200		20.000	19.00	18.31
		44	5220		20.000	19.00	18.35
		48	5240		20.000	19.00	18.43
	802.11ac20-VHT0	36	5180	MCS0	20.000	19.00	18.27
		40	5200		20.000	19.00	18.29
		44	5220		20.000	19.00	18.35
		48	5240		20.000	19.00	18.42
	802.11n40-HT0	38	5190	MCS0	17.500	16.00	15.90
		46	5230		20.000	19.00	18.27
	802.11ac40-VHT0	38	5190	MCS0	17.500	16.00	15.87
		46	5230		20.000	19.00	18.21
	802.11ac80-VHT0	42	5210	MCS0	15.500	15.00	14.44
	Ant 1						
Mode	Mode	Channel	Frequency (MHz)	Data Rate	Set	Max. Rated Avg. Power + Max. Tolerance (dBm)	Average power (dBm)
5.8GHz	802.11a	149	5745	6Mbps	20.000	19.00	18.38
		157	5785		20.000	19.00	18.27
		165	5825		20.000	19.00	18.34
	802.11n20-HT0	149	5745	MCS0	20.000	19.00	18.28
		157	5785		20.000	19.00	18.23
		165	5825		20.000	19.00	18.24
	802.11ac20-VHT0	149	5745	MCS0	20.000	19.00	18.22
		157	5785		20.000	19.00	18.16
		165	5825		20.000	19.00	18.19
	802.11n40-HT0	151	5755	MCS0	20.000	19.00	18.10
		159	5795		20.000	19.00	18.15
	802.11ac40-VHT0	151	5755	MCS0	20.000	19.00	18.06
		159	5795		20.000	19.00	18.09
	802.11ac80-VHT0	155	5775	MCS0	20.000	19.50	19.20

Unless otherwise stated the results shown in this test report refer only to the sample(s) tested and such sample(s) are retained for 90 days only.

除非另有說明，此報告結果僅對測試之樣品負責，同時此樣品僅保留90天。本報告未經本公司書面許可，不可部份複製。

This document is issued by the Company subject to its General Conditions of Service printed overleaf, available on request or accessible at <http://www.sgs.com.tw/Terms-and-Conditions> and for electronic format documents, subject to Terms and Conditions for Electronic Documents at <http://www.sgs.com.tw/Terms-and-Conditions>. Attention is drawn to the limitation of liability, indemnification and jurisdiction issues defined therein. Any holder of this document is advised that information contained hereon reflects the Company's findings at the time of its intervention only and within the limits of Client's instructions, if any. The Company's sole responsibility is to its Client and this document does not exonerate parties to a transaction from exercising all their rights and obligations under the transaction documents. This document cannot be reproduced except in full, without prior written approval of the Company. Any unauthorized alteration, forgery or falsification of the content or appearance of this document is unlawful and offenders may be prosecuted to the fullest extent of the law.

Mode	Channel	Frequency (MHz)	1Mbps		2Mbps		3Mbps	
			Max. Rated Avg. Power + Max. Tolerance (dBm)	Average power (dBm)	Max. Rated Avg. Power + Max. Tolerance (dBm)	Average power (dBm)	Max. Rated Avg. Power + Max. Tolerance (dBm)	Average power (dBm)
BR/EDR	CH 00	2402	7.50	6.41	4.50	3.61	4.50	3.66
	CH 39	2441		6.84		4.13		4.21
	CH 78	2480		7.02		4.27		4.34

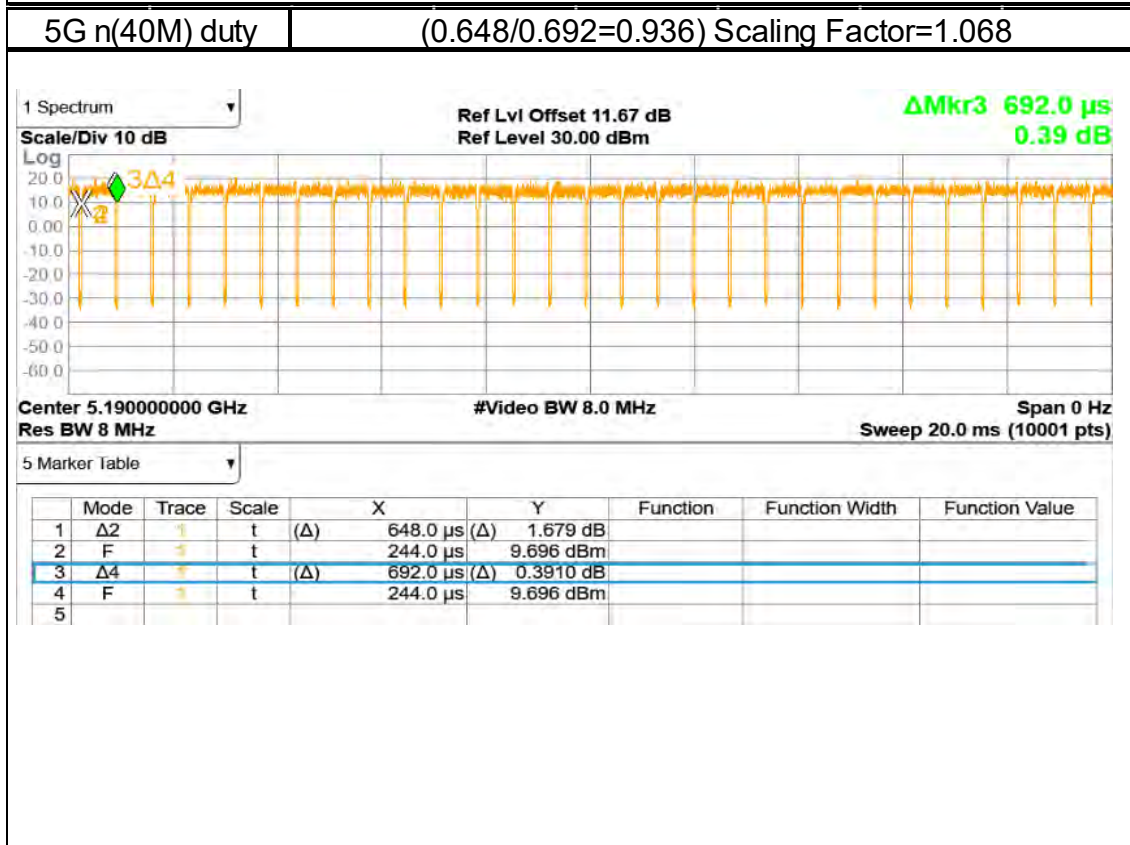
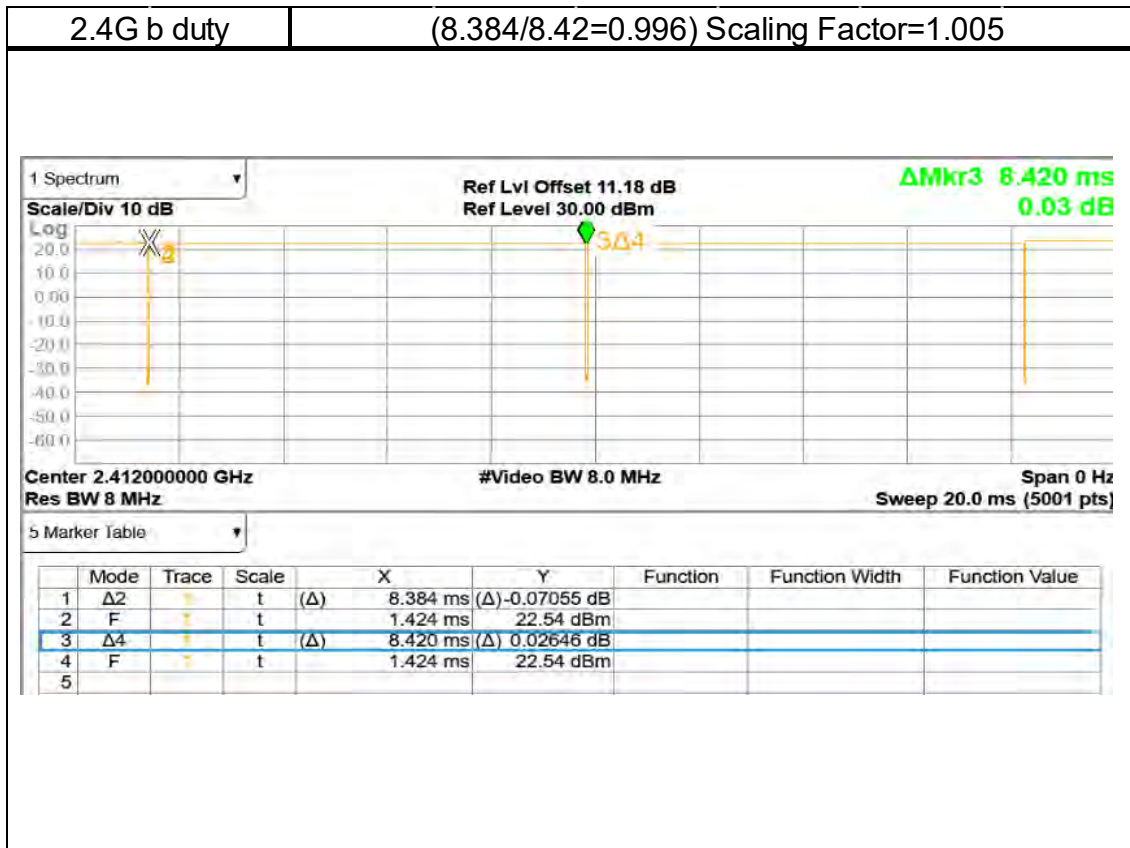
5.9 BLE

Mode	Channel	Frequency (MHz)	GFSK	
			Max. Rated Avg. Power + Max. Tolerance (dBm)	Average Output Power (dBm)
BLE_1M	CH 00	2402	0	-1.30
	CH 19	2440		-0.89
	CH 39	2480		-0.73
Mode	Channel	Frequency (MHz)	GFSK	
			Max. Rated Avg. Power + Max. Tolerance (dBm)	Average Output Power (dBm)
BLE_2M	CH 00	2402	0	-1.11
	CH 19	2440		-0.98
	CH 39	2480		-0.62

Unless otherwise stated the results shown in this test report refer only to the sample(s) tested and such sample(s) are retained for 90 days only.

除非另有說明，此報告結果僅對測試之樣品負責，同時此樣品僅保留90天。本報告未經本公司書面許可，不可部份複製。

This document is issued by the Company subject to its General Conditions of Service printed overleaf, available on request or accessible at <http://www.sgs.com.tw/Terms-and-Conditions> and for electronic format documents, subject to Terms and Conditions for Electronic Documents at <http://www.sgs.com.tw/Terms-and-Conditions>. Attention is drawn to the limitation of liability, indemnification and jurisdiction issues defined therein. Any holder of this document is advised that information contained hereon reflects the Company's findings at the time of its intervention only and within the limits of Client's instructions, if any. The Company's sole responsibility is to its Client and this document does not exonerate parties to a transaction from exercising all their rights and obligations under the transaction documents. This document cannot be reproduced except in full, without prior written approval of the Company. Any unauthorized alteration, forgery or falsification of the content or appearance of this document is unlawful and offenders may be prosecuted to the fullest extent of the law.



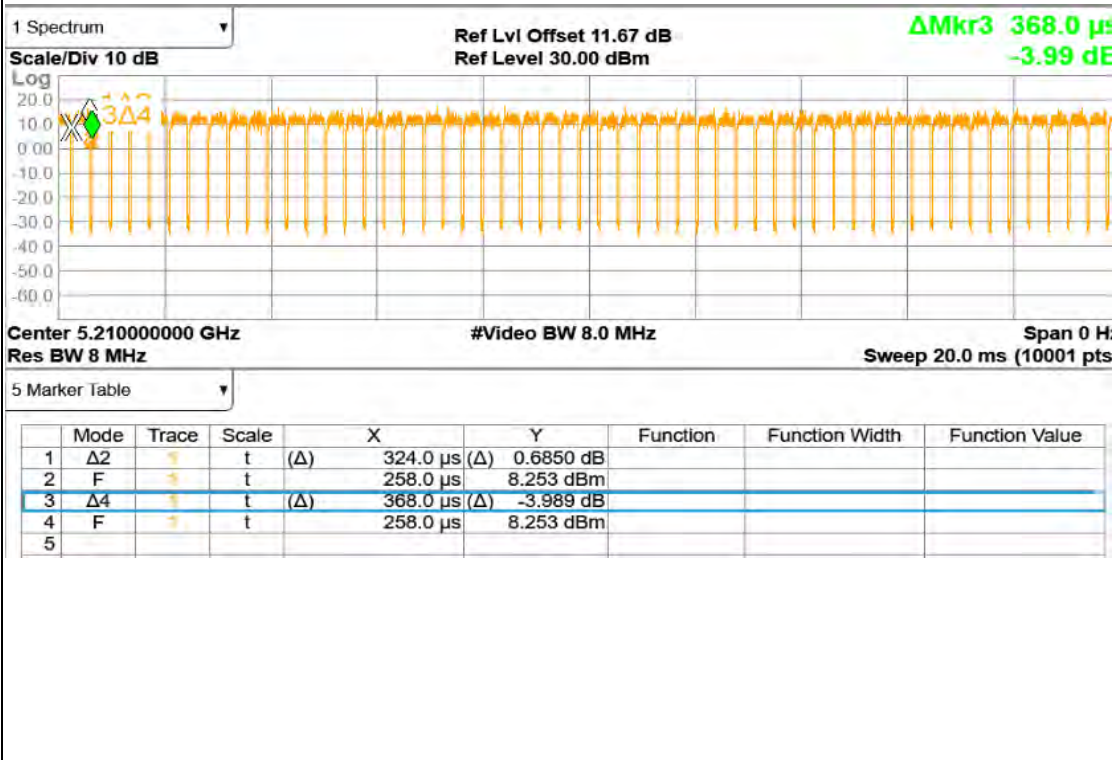
Unless otherwise stated the results shown in this test report refer only to the sample(s) tested and such sample(s) are retained for 90 days only.

除非另有說明，此報告結果僅對測試之樣品負責，同時此樣品僅保留90天。本報告未經本公司書面許可，不可部份複製。

This document is issued by the Company subject to its General Conditions of Service printed overleaf, available on request or accessible at <http://www.sgs.com.tw/Terms-and-Conditions> and for electronic format documents, subject to Terms and Conditions for Electronic Documents at <http://www.sgs.com.tw/Terms-and-Conditions>. Attention is drawn to the limitation of liability, indemnification and jurisdiction issues defined therein. Any holder of this document is advised that information contained hereon reflects the Company's findings at the time of its intervention only and within the limits of Client's instructions, if any. The Company's sole responsibility is to its Client and this document does not exonerate parties to a transaction from exercising all their rights and obligations under the transaction documents. This document cannot be reproduced except in full, without prior written approval of the Company. Any unauthorized alteration, forgery or falsification of the content or appearance of this document is unlawful and offenders may be prosecuted to the fullest extent of the law.

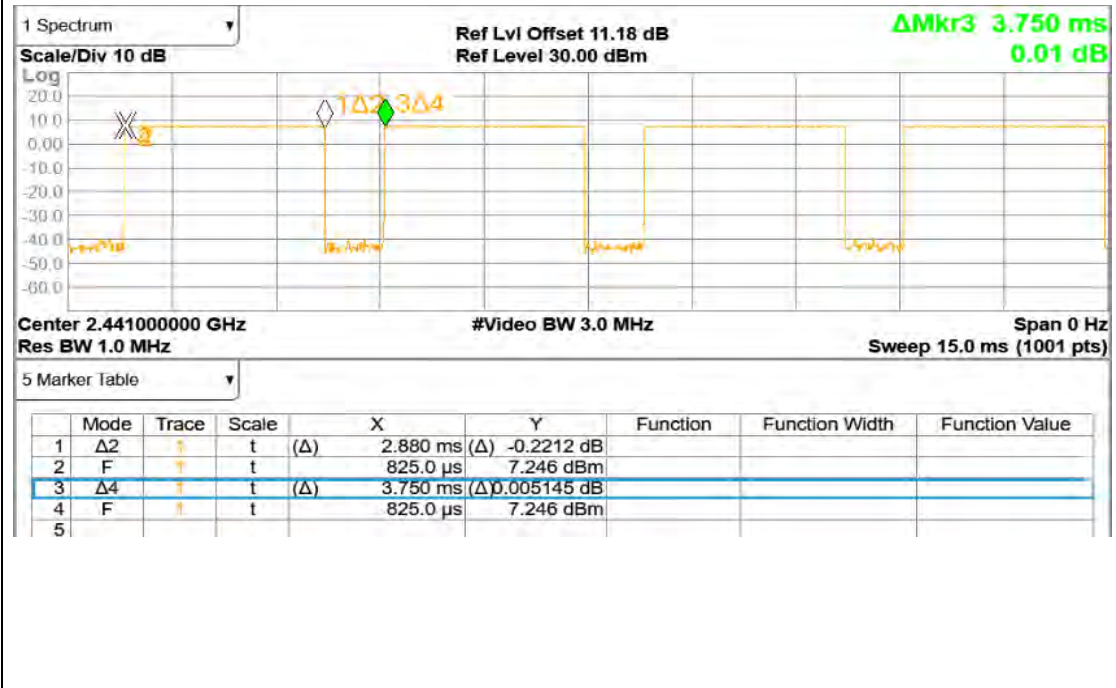
5G ac(80M) duty

(0.324/0.368=0.880) Scaling Factor=1.136



BT

(2.88/3.75=0.768) Scaling Factor=1.302



Unless otherwise stated the results shown in this test report refer only to the sample(s) tested and such sample(s) are retained for 90 days only.

除非另有說明，此報告結果僅對測試之樣品負責，同時此樣品僅保留90天。本報告未經本公司書面許可，不可部份複製。

This document is issued by the Company subject to its General Conditions of Service printed overleaf, available on request or accessible at <http://www.sgs.com.tw/Terms-and-Conditions> and for electronic format documents, subject to Terms and Conditions for Electronic Documents at <http://www.sgs.com.tw/Terms-and-Conditions>. Attention is drawn to the limitation of liability, indemnification and jurisdiction issues defined therein. Any holder of this document is advised that information contained hereon reflects the Company's findings at the time of its intervention only and within the limits of Client's instructions, if any. The Company's sole responsibility is to its Client and this document does not exonerate parties to a transaction from exercising all their rights and obligations under the transaction documents. This document cannot be reproduced except in full, without prior written approval of the Company. Any unauthorized alteration, forgery or falsification of the content or appearance of this document is unlawful and offenders may be prosecuted to the fullest extent of the law.

7 SUMMARY OF RESULTS

7.1 Decision rules

Reported measurement data comply with Test Methodology in section 1.1.
Determining compliance shall be based on the results of the compliance measurement, not taking into account measurement instrumentation uncertainty.

7.2 Summary of SAR Results

WWAN ant0

Mode	Bandwidth (MHz)	Modulation	RB Size	RB start	Position	Distance (mm)	Channel	Freq. (MHz)	Max. Rated Avg. Power + Max. Tolerance (dBm)	Measured Avg. Power (dBm)	Scaling	Averaged SAR over 1g (W/kg)		ID		
												Measured	Reported			
LTE Band 2	20MHz	QPSK	1	0	Front Surface	5	19100	1900	23.00	22.75	105.93%	0.157	0.166	-		
LTE Band 2			50	0	Front Surface	5	19100	1900	22.00	21.64	108.64%	0.125	0.136	-		
LTE Band 2			100RB	Front Surface	5	19100	1900	22.00	21.62	109.14%	0.118	0.129	-			
LTE Band 2			1	0	Back Surface	5	19100	1900	23.00	22.75	105.93%	0.331	0.351	-		
LTE Band 2			50	0	Back Surface	5	19100	1900	22.00	21.64	108.64%	0.247	0.268	-		
LTE Band 2			100RB	Back Surface	5	19100	1900	22.00	21.62	109.14%	0.238	0.260	-			
LTE Band 2			1	0	Top Edge	5	18700	1860	23.00	22.72	106.66%	0.598	0.638	001		
LTE Band 2			1	0	Top Edge	5	18900	1880	23.00	22.68	107.65%	0.557	0.600	-		
LTE Band 2			1	0	Top Edge	5	19100	1900	23.00	22.75	105.93%	0.483	0.512	-		
LTE Band 2			50	0	Top Edge	5	19100	1900	22.00	21.64	108.64%	0.325	0.353	-		
LTE Band 2			100RB	Top Edge	5	19100	1900	22.00	21.62	109.14%	0.316	0.345	-			
LTE Band 2			1	0	Bottom Edge	5	19100	1900	23.00	22.75	105.93%	0.024	0.025	-		
LTE Band 2			50	0	Bottom Edge	5	19100	1900	22.00	21.64	108.64%	0.016	0.017	-		
LTE Band 2			100RB	Bottom Edge	5	19100	1900	22.00	21.62	109.14%	0.012	0.013	-			
LTE Band 2			1	0	Left Edge	5	19100	1900	23.00	22.75	105.93%	0.058	0.061	-		
LTE Band 2			50	0	Left Edge	5	19100	1900	22.00	21.64	108.64%	0.039	0.042	-		
LTE Band 2			100RB	Left Edge	5	19100	1900	22.00	21.62	109.14%	0.035	0.038	-			
LTE Band 2			1	0	Right Edge	5	19100	1900	23.00	22.75	105.93%	0.222	0.235	-		
LTE Band 2			50	0	Right Edge	5	19100	1900	22.00	21.64	108.64%	0.212	0.230	-		
LTE Band 2			100RB	Right Edge	5	19100	1900	22.00	21.62	109.14%	0.211	0.230	-			
ULCA 2C spot check			1	0	Top Edge	5	18988	1879.8	23.00	22.42	114.29%	0.523	0.598	-		
LTE Band 4			20MHz	QPSK	1	0	Front Surface	5	20300	1745	23.00	22.79	104.95%	0.211	0.221	-
LTE Band 4					50	25	Front Surface	5	20175	1732.5	22.00	21.68	107.65%	0.168	0.181	-
LTE Band 4					100RB	Front Surface	5	20175	1732.5	22.00	21.72	106.66%	0.172	0.183	-	
LTE Band 4	1	0			Back Surface	5	20050	1720	23.00	22.69	107.40%	0.403	0.433	-		
LTE Band 4	1	0			Back Surface	5	20175	1732.5	23.00	22.78	105.20%	0.413	0.434	-		
LTE Band 4	1	0			Back Surface	5	20300	1745	23.00	22.79	104.95%	0.471	0.494	002		
LTE Band 4	50	25			Back Surface	5	20175	1732.5	22.00	21.68	107.65%	0.335	0.361	-		
LTE Band 4	100RB	Back Surface			5	20175	1732.5	22.00	21.72	106.66%	0.317	0.338	-			
LTE Band 4	1	0			Top Edge	5	20300	1745	23.00	22.79	104.95%	0.455	0.478	-		
LTE Band 4	50	25			Top Edge	5	20175	1732.5	22.00	21.68	107.65%	0.370	0.398	-		
LTE Band 4	100RB	Top Edge			5	20175	1732.5	22.00	21.72	106.66%	0.376	0.401	-			
LTE Band 4	1	0			Bottom Edge	5	20300	1745	23.00	22.79	104.95%	0.027	0.028	-		
LTE Band 4	50	25			Bottom Edge	5	20175	1732.5	22.00	21.68	107.65%	0.021	0.023	-		
LTE Band 4	100RB	Bottom Edge			5	20175	1732.5	22.00	21.72	106.66%	0.022	0.023	-			
LTE Band 4	1	0			Left Edge	5	20300	1745	23.00	22.79	104.95%	0.047	0.049	-		
LTE Band 4	50	25			Left Edge	5	20175	1732.5	22.00	21.68	107.65%	0.039	0.042	-		
LTE Band 4	100RB	Left Edge			5	20175	1732.5	22.00	21.72	106.66%	0.040	0.043	-			
LTE Band 4	1	0			Right Edge	5	20300	1745	23.00	22.79	104.95%	0.304	0.319	-		
LTE Band 4	50	25			Right Edge	5	20175	1732.5	22.00	21.68	107.65%	0.275	0.296	-		
LTE Band 4	100RB	Right Edge			5	20175	1732.5	22.00	21.72	106.66%	0.272	0.290	-			
LTE Band 5	10MHz	QPSK			1	0	Front Surface	5	20525	836.5	23.00	22.85	103.51%	0.110	0.114	-
LTE Band 5					25	0	Front Surface	5	20525	836.5	22.00	21.79	104.95%	0.083	0.087	-
LTE Band 5					50RB	Front Surface	5	20525	836.5	22.00	21.69	107.40%	0.080	0.086	-	
LTE Band 5					1	0	Back Surface	5	20450	829	23.00	22.83	103.99%	0.234	0.243	-
LTE Band 5			1	0	Back Surface	5	20525	836.5	23.00	22.85	103.51%	0.352	0.364	003		
LTE Band 5			1	0	Back Surface	5	20600	844	23.00	22.78	105.20%	0.242	0.255	-		
LTE Band 5			25	0	Back Surface	5	20525	836.5	22.00	21.79	104.95%	0.192	0.202	-		
LTE Band 5			50RB	Back Surface	5	20525	836.5	22.00	21.69	107.40%	0.185	0.199	-			
LTE Band 5			1	0	Top Edge	5	20525	836.5	23.00	22.85	103.51%	0.104	0.108	-		
LTE Band 5			25	0	Top Edge	5	20525	836.5	22.00	21.79	104.95%	0.082	0.086	-		
LTE Band 5			50RB	Top Edge	5	20525	836.5	22.00	21.69	107.40%	0.075	0.081	-			
LTE Band 5			1	0	Bottom Edge	5	20525	836.5	23.00	22.85	103.51%	0.009	0.009	-		
LTE Band 5			25	0	Bottom Edge	5	20525	836.5	22.00	21.79	104.95%	0.006	0.006	-		
LTE Band 5			50RB	Bottom Edge	5	20525	836.5	22.00	21.69	107.40%	0.005	0.005	-			
LTE Band 5			1	0	Left Edge	5	20525	836.5	23.00	22.85	103.51%	0.022	0.023	-		
LTE Band 5			25	0	Left Edge	5	20525	836.5	22.00	21.79	104.95%	0.015	0.016	-		
LTE Band 5			50RB	Left Edge	5	20525	836.5	22.00	21.69	107.40%	0.011	0.012	-			
LTE Band 5			1	0	Right Edge	5	20525	836.5	23.00	22.85	103.51%	0.075	0.077	-		
LTE Band 5			25	0	Right Edge	5	20525	836.5	22.00	21.79	104.95%	0.059	0.062	-		
LTE Band 5			50RB	Right Edge	5	20525	836.5	22.00	21.69	107.40%	0.056	0.060	-			
ULCA 5B spot check			1	0	Back Surface	5	20450	829	23.00	22.38	115.35%	0.288	0.332	-		

Unless otherwise stated the results shown in this test report refer only to the sample(s) tested and such sample(s) are retained for 90 days only.

除非另有說明，此報告結果僅對測試之樣品負責，同時此樣品僅保留90天。本報告未經本公司書面許可，不可部份複製。

This document is issued by the Company subject to its General Conditions of Service printed overleaf, available on request or accessible at <http://www.sgs.com.tw/Terms-and-Conditions> and for electronic format documents, subject to Terms and Conditions for Electronic Documents at <http://www.sgs.com.tw/Terms-and-Conditions>. Attention is drawn to the limitation of liability, indemnification and jurisdiction issues defined therein. Any holder of this document is advised that information contained hereon reflects the Company's findings at the time of its intervention only and within the limits of Client's instructions, if any. The Company's sole responsibility is to its Client and this document does not exonerate parties to a transaction from exercising all their rights and obligations under the transaction documents. This document cannot be reproduced except in full, without prior written approval of the Company. Any unauthorized alteration, forgery or falsification of the content or appearance of this document is unlawful and offenders may be prosecuted to the fullest extent of the law.

Band	Modulation	Measurement Point	Surface	Order	Frequency	Power	Power Spectral Density	Occupied Bandwidth	Spurious Emission	Intermodulation	Harmonics	Other		
LTE Band 12	10MHz	QPSK	1 0 Front Surface	5	23060	704	23.00	22.83	103.99%	0.160	0.166	-		
LTE Band 12			25 12 Front Surface	5	23130	711	22.00	21.74	106.17%	0.131	0.139	-		
LTE Band 12			50RB	Front Surface	5	23130	711	22.00	21.76	105.68%	0.135	0.143	-	
LTE Band 12			1 0 Back Surface	5	23060	704	23.00	22.83	103.99%	0.585	0.608	004		
LTE Band 12			1 0 Back Surface	5	23095	707.5	23.00	22.79	104.95%	0.548	0.575	-		
LTE Band 12			1 0 Back Surface	5	23130	711	23.00	22.82	104.23%	0.532	0.555	-		
LTE Band 12			25 25 Back Surface	5	23130	711	22.00	21.74	106.17%	0.317	0.337	-		
LTE Band 12			50RB	Back Surface	5	23130	711	22.00	21.76	105.68%	0.309	0.327	-	
LTE Band 12			0 0 Top Edge	5	23060	704	23.00	22.83	103.99%	0.149	0.155	-		
LTE Band 12			25 25 Top Edge	5	23130	711	22.00	21.74	106.17%	0.116	0.123	-		
LTE Band 12			50RB	Top Edge	5	23130	711	22.00	21.76	105.68%	0.118	0.125	-	
LTE Band 12			1 0 Bottom Edge	5	23060	704	23.00	22.83	103.99%	0.016	0.017	-		
LTE Band 12			25 25 Bottom Edge	5	23130	711	22.00	21.74	106.17%	0.011	0.012	-		
LTE Band 12			50RB	Bottom Edge	5	23130	711	22.00	21.76	105.68%	0.012	0.013	-	
LTE Band 12			1 0 Left Edge	5	23060	704	23.00	22.83	103.99%	0.034	0.035	-		
LTE Band 12			25 25 Left Edge	5	23130	711	22.00	21.74	106.17%	0.027	0.029	-		
LTE Band 12			50RB	Left Edge	5	23130	711	22.00	21.76	105.68%	0.028	0.030	-	
LTE Band 12			1 0 Right Edge	5	23060	704	23.00	22.83	103.99%	0.213	0.222	-		
LTE Band 12			25 25 Right Edge	5	23130	711	22.00	21.74	106.17%	0.149	0.158	-		
LTE Band 12			50RB	Right Edge	5	23130	711	22.00	21.76	105.68%	0.129	0.136	-	
LTE Band 13	10MHz	QPSK	1 0 Front Surface	5	23230	782	23.00	22.92	101.86%	0.189	0.193	-		
LTE Band 13			25 0 Front Surface	5	23230	782	22.00	21.76	105.68%	0.142	0.150	-		
LTE Band 13			50RB	Front Surface	5	23230	782	22.00	21.76	105.68%	0.140	0.148	-	
LTE Band 13			1 0 Back Surface	5	23230	782	23.00	22.92	101.86%	0.322	0.328	005		
LTE Band 13			25 0 Back Surface	5	23230	782	22.00	21.76	105.68%	0.220	0.232	-		
LTE Band 13			50RB	Back Surface	5	23230	782	22.00	21.76	105.68%	0.197	0.208	-	
LTE Band 13			1 0 Top Edge	5	23230	782	23.00	22.92	101.86%	0.181	0.184	-		
LTE Band 13			25 0 Top Edge	5	23230	782	22.00	21.76	105.68%	0.152	0.161	-		
LTE Band 13			50RB	Top Edge	5	23230	782	22.00	21.76	105.68%	0.150	0.159	-	
LTE Band 13			1 0 Bottom Edge	5	23230	782	23.00	22.92	101.86%	0.025	0.025	-		
LTE Band 13			25 0 Bottom Edge	5	23230	782	22.00	21.76	105.68%	0.016	0.017	-		
LTE Band 13			50RB	Bottom Edge	5	23230	782	22.00	21.76	105.68%	0.016	0.017	-	
LTE Band 13			1 0 Left Edge	5	23230	782	23.00	22.92	101.86%	0.046	0.047	-		
LTE Band 13			25 0 Left Edge	5	23230	782	22.00	21.76	105.68%	0.036	0.038	-		
LTE Band 13			50RB	Left Edge	5	23230	782	22.00	21.76	105.68%	0.037	0.039	-	
LTE Band 13			1 0 Right Edge	5	23230	782	23.00	22.92	101.86%	0.116	0.118	-		
LTE Band 13			25 0 Right Edge	5	23230	782	22.00	21.76	105.68%	0.082	0.087	-		
LTE Band 13			50RB	Right Edge	5	23230	782	22.00	21.76	105.68%	0.080	0.085	-	
LTE Band 14			10MHz	QPSK	1 0 Front Surface	5	23330	793	23.00	22.91	102.09%	0.180	0.184	-
LTE Band 14					25 25 Front Surface	5	23330	793	22.00	21.82	104.23%	0.135	0.141	-
LTE Band 14	50RB	Front Surface			5	23330	793	22.00	21.70	107.15%	0.129	0.138	-	
LTE Band 14	1 0 Back Surface	5			23330	793	23.00	22.91	102.09%	0.420	0.429	006		
LTE Band 14	25 50 Back Surface	5			23330	793	22.00	21.82	104.23%	0.373	0.389	-		
LTE Band 14	50RB	Back Surface			5	23330	793	22.00	21.70	107.15%	0.358	0.384	-	
LTE Band 14	1 0 Top Edge	5			23330	793	23.00	22.91	102.09%	0.175	0.179	-		
LTE Band 14	25 50 Top Edge	5			23330	793	22.00	21.82	104.23%	0.142	0.148	-		
LTE Band 14	50RB	Top Edge			5	23330	793	22.00	21.70	107.15%	0.135	0.145	-	
LTE Band 14	1 0 Bottom Edge	5			23330	793	23.00	22.91	102.09%	0.021	0.021	-		
LTE Band 14	25 50 Bottom Edge	5			23330	793	22.00	21.82	104.23%	0.015	0.016	-		
LTE Band 14	50RB	Bottom Edge			5	23330	793	22.00	21.70	107.15%	0.012	0.013	-	
LTE Band 14	1 0 Left Edge	5			23330	793	23.00	22.91	102.09%	0.036	0.037	-		
LTE Band 14	25 50 Left Edge	5			23330	793	22.00	21.82	104.23%	0.031	0.032	-		
LTE Band 14	50RB	Left Edge			5	23330	793	22.00	21.70	107.15%	0.028	0.030	-	
LTE Band 14	1 0 Right Edge	5			23330	793	23.00	22.91	102.09%	0.127	0.130	-		
LTE Band 14	25 50 Right Edge	5			23330	793	22.00	21.82	104.23%	0.102	0.106	-		
LTE Band 14	50RB	Right Edge			5	23330	793	22.00	21.70	107.15%	0.095	0.102	-	
LTE Band 17	10MHz	QPSK			1 0 Front Surface	5	23800	711	23.00	22.81	104.47%	0.161	0.168	-
LTE Band 17					25 12 Front Surface	5	23790	710	22.00	21.70	107.15%	0.132	0.141	-
LTE Band 17			50RB	Front Surface	5	23790	710	22.00	21.63	108.89%	0.128	0.139	-	
LTE Band 17			1 0 Back Surface	5	23780	709	23.00	22.75	105.93%	0.599	0.634	007		
LTE Band 17			1 0 Back Surface	5	23790	710	23.00	22.78	105.20%	0.588	0.619	-		
LTE Band 17			1 0 Back Surface	5	23800	711	23.00	22.81	104.47%	0.547	0.571	-		
LTE Band 17			25 25 Back Surface	5	23790	710	22.00	21.70	107.15%	0.490	0.525	-		
LTE Band 17			50RB	Back Surface	5	23790	710	22.00	21.63	108.89%	0.462	0.503	-	
LTE Band 17			1 0 Top Edge	5	23800	711	23.00	22.81	104.47%	0.157	0.164	-		
LTE Band 17			25 25 Top Edge	5	23790	710	22.00	21.70	107.15%	0.124	0.133	-		
LTE Band 17			50RB	Top Edge	5	23790	710	22.00	21.63	108.89%	0.120	0.131	-	
LTE Band 17			1 0 Bottom Edge	5	23800	711	23.00	22.81	104.47%	0.012	0.013	-		
LTE Band 17			25 25 Bottom Edge	5	23790	710	22.00	21.70	107.15%	0.007	0.008	-		
LTE Band 17			50RB	Bottom Edge	5	23790	710	22.00	21.63	108.89%	0.006	0.007	-	
LTE Band 17			1 0 Left Edge	5	23800	711	23.00	22.81	104.47%	0.028	0.029	-		
LTE Band 17			25 25 Left Edge	5	23790	710	22.00	21.70	107.15%	0.022	0.024	-		
LTE Band 17			50RB	Left Edge	5	23790	710	22.00	21.63	108.89%	0.020	0.022	-	
LTE Band 17			1 0 Right Edge	5	23800	711	23.00	22.81	104.47%	0.195	0.204	-		
LTE Band 17			25 25 Right Edge	5	23790	710	22.00	21.70	107.15%	0.162	0.174	-		
LTE Band 17			50RB	Right Edge	5	23790	710	22.00	21.63	108.89%	0.155	0.169	-	
LTE Band 25	20MHz	QPSK	1 0 Front Surface	5	26365	1882.5	23.00	22.74	106.17%	0.173	0.184	-		
LTE Band 25			50 0 Front Surface	5	26365	1882.5	22.00	21.67	107.89%	0.142	0.153	-		
LTE Band 25			100RB	Front Surface	5	26365	1882.5	22.00	21.57	110.41%	0.137	0.151	-	
LTE Band 25			1 0 Back Surface	5	26365	1882.5	23.00	22.74	106.17%	0.335	0.356	-		
LTE Band 25			50 0 Back Surface	5	26365	1882.5	22.00	21.67	107.89%	0.265	0.286	-		
LTE Band 25			100RB	Back Surface	5	26365	1882.5	22.00	21.57	110.41%	0.245	0.270	-	
LTE Band 25			1 0 Top Edge	5	26140	1860	23.00	22.59	109.90%	0.482	0.530	-		
LTE Band 25			1 0 Top Edge	5	26365	1882.5	23.00	22.74	106.17%	0.501	0.532	008		
LTE Band 25			1 0 Top Edge	5	26590	1905	23.00	22.62	109.14%	0.477	0.521	-		
LTE Band 25			50 0 Top Edge	5	26365	1882.5	22.00	21.67	107.89%	0.412	0.445	-		
LTE Band 25			100RB	Top Edge	5	26365	1882.5	22.00	21.57	110.41%	0.400	0.442	-	
LTE Band 25			1 0 Bottom Edge	5	26365	1882.5	23.00	22.74	106.17%	0.008	0.008	-		
LTE Band 25			50 0 Bottom Edge	5	26365	1882.5	22.00	21.67	107.89%	0.005	0.005	-		
LTE Band 25			100RB	Bottom Edge	5	26365	1882.5	22.00	21.57	110.41%	0.004	0.004	-	
LTE Band 25			1 0 Left Edge	5	26365	1882.5	23.00	22.74	106.17%	0.051	0.054	-		
LTE Band 25			50 0 Left Edge	5	26365	1882.5	22.00	21.67	107.89%	0.037	0.040	-		
LTE Band 25			100RB	Left Edge	5	26365	1882.5	22.00	21.57	110.41%	0.035	0.039	-	
LTE Band 25			1 0 Right Edge	5	26365	1882.5	23.00	22.74	106.17%	0.229	0.243	-		
LTE Band 25			50 0 Right Edge	5	26365	1882.5	22.00	21.67	107.89%	0.182	0.196	-		
LTE Band 25			100RB	Right Edge	5	26365	1882.5	22.00	21.57	110.41%	0.173	0.191	-	

Unless otherwise stated the results shown in this test report refer only to the sample(s) tested and such sample(s) are retained for 90 days only.

除非另有說明，此報告結果僅對測試之樣品負責，同時此樣品僅保留90天。本報告未經本公司書面許可，不可部份複製。

Mode	Bandwidth (MHz)	Modulation	RB Size	RB start	Position	Distance (mm)	Channel	Freq. (MHz)	Max. Rated Avg. Power + Max. Tolerance (dBm)	Measured Avg. Power (dBm)	Scaling	Averaged SAR over 1g (W/kg)		ID				
												Measured	Reported					
LTE Band 26_FCC	15MHz	QPSK	1	0	Front Surface	5	26765	821.5	23.00	22.83	103.99%	0.103	0.107	-				
			36	37	Front Surface	5	26865	831.5	22.00	21.70	107.15%	0.081	0.087	-				
			75RB				Front Surface	5	26865	831.5	22.00	21.74	106.17%	0.083	0.088	-		
			1	0	Back Surface	5	26765	821.5	23.00	22.83	103.99%	0.440	0.458	009				
			1	0	Back Surface	5	26865	831.5	23.00	22.82	104.23%	0.394	0.411	-				
			1	0	Back Surface	5	26965	841.5	23.00	22.71	106.91%	0.327	0.350	-				
			36	50	Back Surface	5	26865	831.5	22.00	21.70	107.15%	0.329	0.353	-				
			75RB				Back Surface	5	26865	831.5	22.00	21.74	106.17%	0.301	0.320	-		
			1	0	Top Edge	5	26765	821.5	23.00	22.83	103.99%	0.223	0.232	-				
			36	50	Top Edge	5	26865	831.5	22.00	21.70	107.15%	0.182	0.195	-				
			75RB				Top Edge	5	26865	831.5	22.00	21.74	106.17%	0.186	0.197	-		
			1	0	Bottom Edge	5	26765	821.5	23.00	22.83	103.99%	0.025	0.026	-				
			36	50	Bottom Edge	5	26865	831.5	22.00	21.70	107.15%	0.019	0.020	-				
			75RB				Bottom Edge	5	26865	831.5	22.00	21.74	106.17%	0.021	0.022	-		
			1	0	Left Edge	5	26765	821.5	23.00	22.83	103.99%	0.035	0.036	-				
			36	50	Left Edge	5	26865	831.5	22.00	21.70	107.15%	0.029	0.031	-				
			75RB				Left Edge	5	26865	831.5	22.00	21.74	106.17%	0.030	0.032	-		
			1	0	Right Edge	5	26765	821.5	23.00	22.83	103.99%	0.079	0.082	-				
			36	50	Right Edge	5	26865	831.5	22.00	21.70	107.15%	0.062	0.066	-				
			75RB				Right Edge	5	26865	831.5	22.00	21.74	106.17%	0.064	0.068	-		
			LTE Band 66	20MHz	QPSK	1	0	Front Surface	5	132322	1745	23.00	22.83	103.99%	0.215	0.224	-	
			LTE Band 66			50	0	Front Surface	5	132322	1745	22.00	21.73	106.41%	0.167	0.178	-	
			100RB				Front Surface	5	132322	1745	22.00	21.78	105.20%	0.169	0.178	-		
			LTE Band 66			1	0	Back Surface	5	132072	1720	23.00	22.75	105.93%	0.609	0.645	011	
			LTE Band 66			1	0	Back Surface	5	132322	1745	23.00	22.83	103.99%	0.529	0.550	-	
			LTE Band 66			1	0	Back Surface	5	132572	1770	23.00	22.73	106.41%	0.481	0.512	-	
			LTE Band 66			50	0	Back Surface	5	132322	1745	22.00	21.73	106.41%	0.470	0.500	-	
100RB						Back Surface	5	132322	1745	22.00	21.78	105.20%	0.427	0.449	-			
LTE Band 66	1	0	Top Edge			5	132322	1745	23.00	22.83	103.99%	0.503	0.523	-				
LTE Band 66	50	0	Top Edge			5	132322	1745	22.00	21.73	106.41%	0.412	0.438	-				
100RB						Top Edge	5	132322	1745	22.00	21.78	105.20%	0.419	0.441	-			
LTE Band 66	1	0	Bottom Edge			5	132322	1745	23.00	22.83	103.99%	0.011	0.011	-				
LTE Band 66	50	0	Bottom Edge			5	132322	1745	22.00	21.73	106.41%	0.008	0.009	-				
100RB						Bottom Edge	5	132322	1745	22.00	21.78	105.20%	0.008	0.008	-			
LTE Band 66	1	0	Left Edge			5	132322	1745	23.00	22.83	103.99%	0.047	0.049	-				
LTE Band 66	50	0	Left Edge			5	132322	1745	22.00	21.73	106.41%	0.032	0.034	-				
100RB						Left Edge	5	132322	1745	22.00	21.78	105.20%	0.034	0.036	-			
LTE Band 66	1	0	Right Edge			5	132322	1745	23.00	22.83	103.99%	0.320	0.333	-				
LTE Band 66	50	0	Right Edge			5	132322	1745	22.00	21.73	106.41%	0.250	0.266	-				
100RB						Right Edge	5	132322	1745	22.00	21.78	105.20%	0.255	0.268	-			
ULCA 66C spot check	1	99	Back Surface			5	132072	1720	23.00	22.29	117.76%	0.527	0.621	-				
ULCA 66B spot check	10MHz	QPSK	1			49	Back Surface	5	132373	1750.1	23.00	22.36	115.88%	0.453	0.525	-		
LTE Band 71	20MHz	QPSK	1			0	Front Surface	5	133222	673	23.00	22.92	101.86%	0.156	0.159	-		
LTE Band 71			50			0	Front Surface	5	133297	680.5	22.00	21.81	104.47%	0.125	0.131	-		
100RB						Front Surface	5	133222	673	22.00	21.80	104.71%	0.123	0.129	-			
LTE Band 71			1			0	Back Surface	5	133222	673	23.00	22.92	101.86%	0.645	0.657	-		
LTE Band 71			1			0	Back Surface	5	133297	680.5	23.00	22.90	102.33%	0.693	0.709	012		
LTE Band 71			1			0	Back Surface	5	133372	688	23.00	22.86	103.28%	0.682	0.704	-		
LTE Band 71			50			0	Back Surface	5	133297	680.5	22.00	21.81	104.47%	0.513	0.536	-		
100RB						Back Surface	5	133222	673	22.00	21.80	104.71%	0.491	0.514	-			
LTE Band 71			1			0	Top Edge	5	133222	673	23.00	22.92	101.86%	0.283	0.288	-		
LTE Band 71			50			0	Top Edge	5	133297	680.5	22.00	21.81	104.47%	0.234	0.244	-		
100RB						Top Edge	5	133222	673	22.00	21.80	104.71%	0.231	0.242	-			
LTE Band 71			1	0	Bottom Edge	5	133222	673	23.00	22.92	101.86%	0.012	0.012	-				
LTE Band 71			50	0	Bottom Edge	5	133297	680.5	22.00	21.81	104.47%	0.008	0.008	-				
100RB				Bottom Edge	5	133222	673	22.00	21.80	104.71%	0.008	0.008	-					
LTE Band 71			1	0	Left Edge	5	133222	673	23.00	22.92	101.86%	0.034	0.035	-				
LTE Band 71			50	0	Left Edge	5	133297	680.5	22.00	21.81	104.47%	0.025	0.026	-				
100RB				Left Edge	5	133222	673	22.00	21.80	104.71%	0.024	0.025	-					
LTE Band 71			1	0	Right Edge	5	133222	673	23.00	22.92	101.86%	0.213	0.217	-				
LTE Band 71			50	0	Right Edge	5	133297	680.5	22.00	21.81	104.47%	0.170	0.178	-				
100RB				Right Edge	5	133222	673	22.00	21.80	104.71%	0.166	0.174	-					
Mode			Bandwidth (MHz)	Modulation	RB Size	RB start	Position	Distance (mm)	Channel	Freq. (MHz)	Max. Rated Avg. Power + Max. Tolerance (dBm)	Measured Avg. Power (dBm)	Scaling	Averaged SAR over 1g (W/kg)		ID		
														Measured	Reported			
NR n2			20MHz	SCS 15kHz QPSK	1	1	Front Surface	5	376000	1880	22.00	21.72	106.66%	0.137	0.146	-		
NR n2					50	28	Front Surface	5	376000	1880	22.00	21.65	108.39%	0.126	0.137	-		
NR n2					100	0	Front Surface	5	376000	1880	21.00	20.56	110.66%	0.101	0.112	-		
NR n2					1	1	Back Surface	5	376000	1880	22.00	21.72	106.66%	0.263	0.281	-		
NR n2					50	28	Back Surface	5	376000	1880	22.00	21.65	108.39%	0.257	0.279	-		
NR n2	100	0			Back Surface	5	376000	1880	21.00	20.56	110.66%	0.196	0.217	-				
NR n2	1	1			Top Edge	5	372000	1860	22.00	21.59	109.90%	0.464	0.510	013				
NR n2	1	1			Top Edge	5	376000	1880	22.00	21.72	106.66%	0.462	0.493	-				
NR n2	1	1			Top Edge	5	380000	1900	22.00	21.68	107.65%	0.397	0.427	-				
NR n2	50	28			Top Edge	5	376000	1880	22.00	21.65	108.39%	0.451	0.489	-				
NR n2	100	0			Top Edge	5	376000	1880	21.00	20.56	110.66%	0.366	0.405	-				
NR n2	1	1			Bottom Edge	5	376000	1880	22.00	21.72	106.66%	0.028	0.030	-				
NR n2	50	28			Bottom Edge	5	376000	1880	22.00	21.65	108.39%	0.026	0.028	-				
NR n2	100	0			Bottom Edge	5	376000	1880	21.00	20.56	110.66%	0.021	0.023	-				
NR n2	1	1			Left Edge	5	376000	1880	22.00	21.72	106.66%	0.047	0.050	-				
NR n2	50	28			Left Edge	5	376000	1880	22.00	21.65	108.39%	0.045	0.049	-				
NR n2	100	0			Left Edge	5	376000	1880	21.00	20.56	110.66%	0.033	0.037	-				
NR n2	1	1			Right Edge	5	376000	1880	22.00	21.72	106.66%	0.194	0.207	-				
NR n2	50	28			Right Edge	5	376000	1880	22.00	21.65	108.39%	0.188	0.204	-				
NR n2	100	0			Right Edge	5	376000	1880	21.00	20.56	110.66%	0.152	0.168	-				

Unless otherwise stated the results shown in this test report refer only to the sample(s) tested and such sample(s) are retained for 90 days only.

除非另有說明，此報告結果僅對測試之樣品負責，同時此樣品僅保留90天。本報告未經本公司書面許可，不可部份複製。

This document is issued by the Company subject to its General Conditions of Service printed overleaf, available on request or accessible at <http://www.sgs.com.tw/Terms-and-Conditions> and for electronic format documents, subject to Terms and Conditions for Electronic Documents at <http://www.sgs.com.tw/Terms-and-Conditions>. Attention is drawn to the limitation of liability, indemnification and jurisdiction issues defined therein. Any holder of this document is advised that information contained herein reflects the Company's findings at the time of its intervention only and within the limits of Client's instructions, if any. The Company's sole responsibility is to its Client and this document does not exonerate parties to a transaction from exercising all their rights and obligations under the transaction documents. This document cannot be reproduced except in full, without prior written approval of the Company. Any unauthorized alteration, forgery or falsification of the content or appearance of this document is unlawful and offenders may be prosecuted to the fullest extent of the law.

Item No.	Frequency	Modulation	Surface	Angle	Distance	Field Strength (dBµV/m)	Field Strength (dBµV/m)	Field Strength (dBµV/m)	Field Strength (dBµV/m)	Field Strength (dBµV/m)	Field Strength (dBµV/m)	Field Strength (dBµV/m)	Field Strength (dBµV/m)	Field Strength (dBµV/m)	Field Strength (dBµV/m)		
NR n5	20MHz	SCS 15kHz QPSK	1	1	Front Surface	5	167300	836.5	22.00	21.98	100.46%	0.092	0.093	-	-		
NR n5			50	28	Front Surface	5	167300	836.5	22.00	21.87	103.04%	0.088	0.091	-	-		
NR n5			100	0	Front Surface	5	167800	839	21.00	20.82	104.23%	0.073	0.076	-	-		
NR n5			1	1	Back Surface	5	166800	834	22.00	21.88	102.80%	0.286	0.294	014	-		
NR n5			1	1	Back Surface	5	167300	836.5	22.00	21.98	100.46%	0.273	0.274	-	-		
NR n5			1	1	Back Surface	5	167800	839	22.00	21.95	101.16%	0.271	0.274	-	-		
NR n5			50	28	Back Surface	5	167300	836.5	22.00	21.87	103.04%	0.208	0.214	-	-		
NR n5			100	0	Back Surface	5	167900	839	21.00	20.82	104.23%	0.199	0.207	-	-		
NR n5			1	1	Top Edge	5	167300	836.5	22.00	21.98	100.46%	0.138	0.139	-	-		
NR n5			50	28	Top Edge	5	167300	836.5	22.00	21.87	103.04%	0.131	0.135	-	-		
NR n5			100	0	Top Edge	5	167800	839	21.00	20.82	104.23%	0.105	0.109	-	-		
NR n5			1	1	Bottom Edge	5	167300	836.5	22.00	21.98	100.46%	0.009	0.009	-	-		
NR n5			50	28	Bottom Edge	5	167300	836.5	22.00	21.87	103.04%	0.008	0.009	-	-		
NR n5			100	0	Bottom Edge	5	167800	839	21.00	20.82	104.23%	0.006	0.006	-	-		
NR n5			1	1	Left Edge	5	167300	836.5	22.00	21.98	100.46%	0.034	0.034	-	-		
NR n5			50	28	Left Edge	5	167300	836.5	22.00	21.87	103.04%	0.031	0.032	-	-		
NR n5			100	0	Left Edge	5	167900	839	21.00	20.82	104.23%	0.034	0.035	-	-		
NR n5			1	1	Right Edge	5	167300	836.5	22.00	21.98	100.46%	0.064	0.064	-	-		
NR n5			50	28	Right Edge	5	167300	836.5	22.00	21.87	103.04%	0.059	0.061	-	-		
NR n5			100	0	Right Edge	5	167800	839	21.00	20.82	104.23%	0.043	0.045	-	-		
NR n12	15MHz	SCS 15kHz QPSK	1	1	Front Surface	5	141500	707.5	22.00	21.62	109.14%	0.112	0.122	-	-		
NR n12			36	22	Front Surface	5	141300	706.5	22.00	21.49	112.46%	0.107	0.120	-	-		
NR n12			75	0	Front Surface	5	141500	707.5	21.00	20.46	113.24%	0.084	0.095	-	-		
NR n12			1	1	Back Surface	5	141300	706.5	22.00	21.55	110.92%	0.445	0.494	015	-		
NR n12			1	1	Back Surface	5	141500	707.5	22.00	21.62	109.14%	0.402	0.439	-	-		
NR n12			1	1	Back Surface	5	141700	708.5	22.00	21.59	109.90%	0.438	0.481	-	-		
NR n12			36	22	Back Surface	5	141300	706.5	22.00	21.49	112.46%	0.314	0.353	-	-		
NR n12			75	0	Back Surface	5	141500	707.5	21.00	20.46	113.24%	0.252	0.285	-	-		
NR n12			1	1	Top Edge	5	141500	707.5	22.00	21.62	109.14%	0.147	0.160	-	-		
NR n12			36	22	Top Edge	5	141300	706.5	22.00	21.49	112.46%	0.134	0.151	-	-		
NR n12			75	0	Top Edge	5	141500	707.5	21.00	20.46	113.24%	0.106	0.120	-	-		
NR n12			1	1	Bottom Edge	5	141500	707.5	22.00	21.62	109.14%	0.011	0.012	-	-		
NR n12			36	22	Bottom Edge	5	141300	706.5	22.00	21.49	112.46%	0.010	0.011	-	-		
NR n12			75	0	Bottom Edge	5	141500	707.5	21.00	20.46	113.24%	0.007	0.008	-	-		
NR n12			1	1	Left Edge	5	141500	707.5	22.00	21.62	109.14%	0.024	0.026	-	-		
NR n12			36	22	Left Edge	5	141300	706.5	22.00	21.49	112.46%	0.021	0.024	-	-		
NR n12			75	0	Left Edge	5	141500	707.5	21.00	20.46	113.24%	0.016	0.018	-	-		
NR n12			1	1	Right Edge	5	141500	707.5	22.00	21.62	109.14%	0.039	0.043	-	-		
NR n12			36	22	Right Edge	5	141300	706.5	22.00	21.49	112.46%	0.035	0.039	-	-		
NR n12			75	0	Right Edge	5	141500	707.5	21.00	20.46	113.24%	0.026	0.029	-	-		
NR n13	10MHz	SCS 15kHz QPSK	1	1	Front Surface	5	156400	782	22.00	21.67	107.89%	0.145	0.156	-	-		
NR n13			25	13	Front Surface	5	156400	782	22.00	21.50	112.20%	0.139	0.156	-	-		
NR n13			50	0	Front Surface	5	156400	782	21.00	20.55	110.92%	0.115	0.128	-	-		
NR n13			1	1	Back Surface	5	156400	782	22.00	21.67	107.89%	0.318	0.343	016	-		
NR n13			25	13	Back Surface	5	156400	782	22.00	21.50	112.20%	0.302	0.339	-	-		
NR n13			50	0	Back Surface	5	156400	782	21.00	20.55	110.92%	0.257	0.285	-	-		
NR n13			1	1	Top Edge	5	156400	782	22.00	21.67	107.89%	0.174	0.188	-	-		
NR n13			25	13	Top Edge	5	156400	782	22.00	21.50	112.20%	0.163	0.183	-	-		
NR n13			50	0	Top Edge	5	156400	782	21.00	20.55	110.92%	0.133	0.148	-	-		
NR n13			1	1	Bottom Edge	5	156400	782	22.00	21.67	107.89%	0.014	0.015	-	-		
NR n13			25	13	Bottom Edge	5	156400	782	22.00	21.50	112.20%	0.011	0.012	-	-		
NR n13			50	0	Bottom Edge	5	156400	782	21.00	20.55	110.92%	0.008	0.009	-	-		
NR n13			1	1	Left Edge	5	156400	782	22.00	21.67	107.89%	0.053	0.057	-	-		
NR n13			25	13	Left Edge	5	156400	782	22.00	21.50	112.20%	0.049	0.055	-	-		
NR n13			50	0	Left Edge	5	156400	782	21.00	20.55	110.92%	0.038	0.042	-	-		
NR n13			1	1	Right Edge	5	156400	782	22.00	21.67	107.89%	0.082	0.088	-	-		
NR n13			25	13	Right Edge	5	156400	782	22.00	21.50	112.20%	0.077	0.086	-	-		
NR n13			50	0	Right Edge	5	156400	782	21.00	20.55	110.92%	0.063	0.070	-	-		
NR n14			10MHz	SCS 15kHz QPSK	1	1	Front Surface	5	158600	793	22.00	21.52	111.69%	0.112	0.125	-	-
NR n14					25	13	Front Surface	5	158600	793	22.00	21.31	117.22%	0.101	0.118	-	-
NR n14	50	0			Front Surface	5	158600	793	21.00	20.38	115.35%	0.084	0.097	-	-		
NR n14	1	1			Back Surface	5	158600	793	22.00	21.52	111.69%	0.295	0.329	017	-		
NR n14	25	13			Back Surface	5	158600	793	22.00	21.31	117.22%	0.279	0.327	-	-		
NR n14	50	0			Back Surface	5	158600	793	21.00	20.38	115.35%	0.188	0.217	-	-		
NR n14	1	1			Top Edge	5	158600	793	22.00	21.52	111.69%	0.138	0.154	-	-		
NR n14	25	13			Top Edge	5	158600	793	22.00	21.31	117.22%	0.127	0.149	-	-		
NR n14	50	0			Top Edge	5	158600	793	21.00	20.38	115.35%	0.099	0.114	-	-		
NR n14	1	1			Bottom Edge	5	158600	793	22.00	21.52	111.69%	0.015	0.017	-	-		
NR n14	25	13			Bottom Edge	5	158600	793	22.00	21.31	117.22%	0.013	0.015	-	-		
NR n14	50	0			Bottom Edge	5	158600	793	21.00	20.38	115.35%	0.009	0.010	-	-		
NR n14	1	1			Left Edge	5	158600	793	22.00	21.52	111.69%	0.042	0.047	-	-		
NR n14	25	13			Left Edge	5	158600	793	22.00	21.31	117.22%	0.039	0.046	-	-		
NR n14	50	0			Left Edge	5	158600	793	21.00	20.38	115.35%	0.025	0.029	-	-		
NR n14	1	1			Right Edge	5	158600	793	22.00	21.52	111.69%	0.066	0.074	-	-		
NR n14	25	13			Right Edge	5	158600	793	22.00	21.31	117.22%	0.062	0.073	-	-		
NR n14	50	0			Right Edge	5	158600	793	21.00	20.38	115.35%	0.049	0.057	-	-		
NR n25	40MHz	SCS 15kHz QPSK			1	1	Front Surface	5	379000	1895	22.00	21.73	106.41%	0.114	0.121	-	-
NR n25					108	54	Front Surface	5	379000	1895	22.00	21.63	108.89%	0.105	0.114	-	-
NR n25			216	0	Front Surface	5	376500	1882.5	21.00	20.61	109.40%	0.088	0.096	-	-		
NR n25			1	1	Back Surface	5	379000	1895	22.00	21.73	106.41%	0.214	0.228	-	-		
NR n25			108	54	Back Surface	5	379000	1895	22.00	21.63	108.89%	0.187	0.204	-	-		
NR n25			216	0	Back Surface	5	376500	1882.5	21.00	20.61	109.40%	0.158	0.173	-	-		
NR n25			1	1	Top Edge	5	374000	1870	22.00	21.67	107.89%	0.344	0.371	-	-		
NR n25			1	1	Top Edge	5	378500	1882.5	22.00	21.72	106.66%	0.368	0.393	018	-		
NR n25			1	1	Top Edge	5	379000	1895	22.00	21.73	106.41%	0.359	0.382	-	-		
NR n25			108	54	Top Edge	5	379000	1895	22.00	21.63	108.89%	0.344	0.375	-	-		
NR n25			216	0	Top Edge	5	376500	1882									



Sample ID	Frequency	Modulation	Measurement Point	Value 1	Value 2	Value 3	Value 4	Value 5	Value 6	Value 7	Value 8	Value 9	Value 10	Value 11	Value 12		
NR n26	20MHz	SCS 15kHz QPSK	1	1	Front Surface	5	164800	824	22.00	21.78	105.20%	0.076	0.080	-	-		
NR n26			50	28	Front Surface	5	164800	824	22.00	21.68	107.85%	0.073	0.079	-	-		
NR n26			100	0	Front Surface	5	164800	824	21.00	20.67	107.89%	0.058	0.063	-	-		
NR n26			1	1	Back Surface	5	164800	824	22.00	21.78	105.20%	0.295	0.310	019	-		
NR n26			1	1	Back Surface	5	166300	831.5	22.00	21.72	106.66%	0.284	0.303	-	-		
NR n26			1	1	Back Surface	5	167800	839	22.00	21.76	105.68%	0.285	0.301	-	-		
NR n26			50	28	Back Surface	5	164800	824	22.00	21.68	107.85%	0.282	0.304	-	-		
NR n26			100	0	Back Surface	5	164800	824	21.00	20.67	107.89%	0.244	0.263	-	-		
NR n26			1	1	Top Edge	5	164800	824	22.00	21.78	105.20%	0.094	0.099	-	-		
NR n26			50	28	Top Edge	5	164800	824	22.00	21.68	107.85%	0.091	0.098	-	-		
NR n26			100	0	Top Edge	5	164800	824	21.00	20.67	107.89%	0.075	0.081	-	-		
NR n26			1	1	Bottom Edge	5	164800	824	22.00	21.78	105.20%	0.009	0.009	-	-		
NR n26			50	28	Bottom Edge	5	164800	824	22.00	21.68	107.85%	0.007	0.008	-	-		
NR n26			100	0	Bottom Edge	5	164800	824	21.00	20.67	107.89%	0.003	0.003	-	-		
NR n26			1	1	Left Edge	5	164800	824	22.00	21.78	105.20%	0.026	0.027	-	-		
NR n26			50	28	Left Edge	5	164800	824	22.00	21.68	107.85%	0.022	0.024	-	-		
NR n26			100	0	Left Edge	5	164800	824	21.00	20.67	107.89%	0.016	0.017	-	-		
NR n26			1	1	Right Edge	5	164800	824	22.00	21.78	105.20%	0.039	0.041	-	-		
NR n26			50	28	Right Edge	5	164800	824	22.00	21.68	107.85%	0.035	0.037	-	-		
NR n26			100	0	Right Edge	5	164800	824	21.00	20.67	107.89%	0.024	0.026	-	-		
NR n66	40MHz	SCS 15kHz QPSK	1	1	Front Surface	5	346000	1730	22.00	21.78	105.20%	0.161	0.169	-	-		
NR n66			108	54	Front Surface	5	346000	1730	22.00	21.59	109.90%	0.152	0.167	-	-		
NR n66			216	0	Front Surface	5	346000	1730	21.00	20.57	110.41%	0.120	0.132	-	-		
NR n66			1	1	Back Surface	5	346000	1730	22.00	21.78	105.20%	0.419	0.441	-	-		
NR n66			1	1	Back Surface	5	349000	1745	22.00	21.72	106.66%	0.433	0.462	020	-		
NR n66			1	1	Back Surface	5	352000	1760	22.00	21.63	108.89%	0.385	0.419	-	-		
NR n66			108	54	Back Surface	5	346000	1730	22.00	21.59	109.90%	0.295	0.324	-	-		
NR n66			216	0	Back Surface	5	346000	1730	21.00	20.57	110.41%	0.288	0.296	-	-		
NR n66			1	1	Top Edge	5	346000	1730	22.00	21.78	105.20%	0.388	0.408	-	-		
NR n66			108	54	Top Edge	5	346000	1730	22.00	21.59	109.90%	0.375	0.412	-	-		
NR n66			216	0	Top Edge	5	346000	1730	21.00	20.57	110.41%	0.309	0.341	-	-		
NR n66			1	1	Bottom Edge	5	346000	1730	22.00	21.78	105.20%	0.015	0.016	-	-		
NR n66			108	54	Bottom Edge	5	346000	1730	22.00	21.59	109.90%	0.013	0.014	-	-		
NR n66			216	0	Bottom Edge	5	346000	1730	21.00	20.57	110.41%	0.008	0.009	-	-		
NR n66			1	1	Left Edge	5	346000	1730	22.00	21.78	105.20%	0.038	0.040	-	-		
NR n66			108	54	Left Edge	5	346000	1730	22.00	21.59	109.90%	0.033	0.036	-	-		
NR n66			216	0	Left Edge	5	346000	1730	21.00	20.57	110.41%	0.024	0.026	-	-		
NR n66			1	1	Right Edge	5	346000	1730	22.00	21.78	105.20%	0.246	0.259	-	-		
NR n66			108	54	Right Edge	5	346000	1730	22.00	21.59	109.90%	0.233	0.256	-	-		
NR n66			216	0	Right Edge	5	346000	1730	21.00	20.57	110.41%	0.187	0.206	-	-		
NR n70	15MHz	SCS 15kHz QPSK	1	1	Front Surface	5	340500	1702.5	22.00	21.32	116.95%	0.136	0.159	-	-		
NR n70			36	22	Front Surface	5	340500	1702.5	22.00	21.09	123.31%	0.127	0.157	-	-		
NR n70			75	0	Front Surface	5	340500	1702.5	21.00	20.16	121.34%	0.190	0.231	-	-		
NR n70			1	1	Back Surface	5	340500	1702.5	22.00	21.32	116.95%	0.443	0.518	021	-		
NR n70			36	22	Back Surface	5	340500	1702.5	22.00	21.09	123.31%	0.379	0.467	-	-		
NR n70			75	0	Back Surface	5	340500	1702.5	21.00	20.16	121.34%	0.345	0.419	-	-		
NR n70			1	1	Top Edge	5	340500	1702.5	22.00	21.32	116.95%	0.379	0.443	-	-		
NR n70			36	22	Top Edge	5	340500	1702.5	22.00	21.09	123.31%	0.352	0.434	-	-		
NR n70			75	0	Top Edge	5	340500	1702.5	21.00	20.16	121.34%	0.288	0.349	-	-		
NR n70			1	1	Bottom Edge	5	340500	1702.5	22.00	21.32	116.95%	0.010	0.012	-	-		
NR n70			36	22	Bottom Edge	5	340500	1702.5	22.00	21.09	123.31%	0.009	0.011	-	-		
NR n70			75	0	Bottom Edge	5	340500	1702.5	21.00	20.16	121.34%	0.006	0.007	-	-		
NR n70			1	1	Left Edge	5	340500	1702.5	22.00	21.32	116.95%	0.066	0.078	-	-		
NR n70			36	22	Left Edge	5	340500	1702.5	22.00	21.09	123.31%	0.063	0.078	-	-		
NR n70			75	0	Left Edge	5	340500	1702.5	21.00	20.16	121.34%	0.056	0.068	-	-		
NR n70			1	1	Right Edge	5	340500	1702.5	22.00	21.32	116.95%	0.186	0.218	-	-		
NR n70			36	22	Right Edge	5	340500	1702.5	22.00	21.09	123.31%	0.172	0.212	-	-		
NR n70			75	0	Right Edge	5	340500	1702.5	21.00	20.16	121.34%	0.144	0.175	-	-		
NR n71			20MHz	SCS 15kHz QPSK	1	1	Front Surface	5	134600	673	22.00	21.95	101.16%	0.128	0.129	-	-
NR n71					50	28	Front Surface	5	134600	673	22.00	21.86	103.28%	0.122	0.126	-	-
NR n71	100	0			Front Surface	5	136100	680.5	21.00	20.80	104.71%	0.094	0.098	-	-		
NR n71	1	1			Back Surface	5	134600	673	22.00	21.95	101.16%	0.545	0.551	-	-		
NR n71	1	1			Back Surface	5	136100	680.5	22.00	21.91	102.09%	0.604	0.617	-	-		
NR n71	1	1			Back Surface	5	137600	688	22.00	21.78	105.20%	0.625	0.657	022	-		
NR n71	50	28			Back Surface	5	134600	673	22.00	21.86	103.28%	0.531	0.548	-	-		
NR n71	100	0			Back Surface	5	136100	680.5	21.00	20.80	104.71%	0.422	0.442	-	-		
NR n71	1	1			Top Edge	5	134600	673	22.00	21.95	101.16%	0.294	0.297	-	-		
NR n71	50	28			Top Edge	5	134600	673	22.00	21.86	103.28%	0.281	0.290	-	-		
NR n71	100	0			Top Edge	5	136100	680.5	21.00	20.80	104.71%	0.221	0.231	-	-		
NR n71	1	1			Bottom Edge	5	134600	673	22.00	21.95	101.16%	0.042	0.042	-	-		
NR n71	50	28			Bottom Edge	5	134600	673	22.00	21.86	103.28%	0.037	0.038	-	-		
NR n71	100	0			Bottom Edge	5	136100	680.5	21.00	20.80	104.71%	0.031	0.032	-	-		
NR n71	1	1			Left Edge	5	134600	673	22.00	21.95	101.16%	0.087	0.088	-	-		
NR n71	50	28			Left Edge	5	134600	673	22.00	21.86	103.28%	0.082	0.085	-	-		
NR n71	100	0			Left Edge	5	136100	680.5	21.00	20.80	104.71%	0.066	0.069	-	-		
NR n71	1	1			Right Edge	5	134600	673	22.00	21.95	101.16%	0.164	0.166	-	-		
NR n71	50	28			Right Edge	5	134600	673	22.00	21.86	103.28%	0.155	0.160	-	-		
NR n71	100	0			Right Edge	5	136100	680.5	21.00	20.80	104.71%	0.116	0.121	-	-		
NR n38_ULMIMO	40MHz	SCS 30kHz CP-OFDM QPSK	1	1	Front Surface	5	518000	2590	15.50	15.48	100.46%	0.069	0.069	-	-		
NR n38_ULMIMO			50	28	Front Surface	5	518000	2590	15.50	15.32	104.23%	0.061	0.064	-	-		
NR n38_ULMIMO			100	0	Front Surface	5	518000	2590	14.00	13.79	104.95%	0.047	0.049	-	-		
NR n38_ULMIMO			1	1	Back Surface	5	518000	2590	15.50	15.48	100.46%	0.112	0.113	023	-		
NR n38_ULMIMO			1	1	Back Surface	5	519000	2595	15.50	15.43	101.62%	0.108	0.110	-	-		
NR n38_ULMIMO			1	1	Back Surface	5	520000	2600	15.50	15.36	103.28%	0.098	0.101	-	-		
NR n38_ULMIMO			50	28	Back Surface	5	518000	2590	15.50	15.32	104.23%	0.107	0.112	-	-		
NR n38_ULMIMO			100	0	Back Surface	5	518000	2590	14.00	13.79	104.95%	0.079	0.083	-	-		
NR n38_ULMIMO			1	1	Top Edge</												

NR n41_ULMIMO			1	1	Front Surface	5	518598	2592.99	15.50	15.45	101.16%	0.059	0.060	-
NR n41_ULMIMO			135	69	Front Surface	5	518598	2592.99	15.50	15.30	104.71%	0.053	0.055	-
NR n41_ULMIMO			270	0	Front Surface	5	518598	2592.99	14.00	13.80	104.71%	0.041	0.043	-
NR n41_ULMIMO			1	1	Back Surface	5	509202	2546.01	15.50	15.39	102.57%	0.155	0.159	-
NR n41_ULMIMO			1	1	Back Surface	5	518598	2592.99	15.50	15.45	101.16%	0.164	0.166	024
NR n41_ULMIMO			1	1	Back Surface	5	528000	2640	15.50	15.36	103.28%	0.142	0.147	-
NR n41_ULMIMO			135	69	Back Surface	5	518598	2592.99	15.50	15.30	104.71%	0.157	0.164	-
NR n41_ULMIMO			270	0	Back Surface	5	518598	2592.99	14.00	13.80	104.71%	0.138	0.145	-
NR n41_ULMIMO			1	1	Top Edge	5	518598	2592.99	15.50	15.45	101.16%	0.075	0.076	-
NR n41_ULMIMO			135	69	Top Edge	5	518598	2592.99	15.50	15.30	104.71%	0.071	0.074	-
NR n41_ULMIMO			270	0	Top Edge	5	518598	2592.99	14.00	13.80	104.71%	0.052	0.055	-
NR n41_ULMIMO			1	1	Bottom Edge	5	518598	2592.99	15.50	15.45	101.16%	0.012	0.012	-
NR n41_ULMIMO			135	69	Bottom Edge	5	518598	2592.99	15.50	15.30	104.71%	0.010	0.010	-
NR n41_ULMIMO			270	0	Bottom Edge	5	518598	2592.99	14.00	13.80	104.71%	0.007	0.007	-
NR n41_ULMIMO			1	1	Left Edge	5	518598	2592.99	15.50	15.45	101.16%	0.031	0.031	-
NR n41_ULMIMO			135	69	Left Edge	5	518598	2592.99	15.50	15.30	104.71%	0.027	0.028	-
NR n41_ULMIMO			270	0	Left Edge	5	518598	2592.99	14.00	13.80	104.71%	0.019	0.020	-
NR n41_ULMIMO			1	1	Right Edge	5	518598	2592.99	15.50	15.45	101.16%	0.079	0.080	-
NR n41_ULMIMO			135	69	Right Edge	5	518598	2592.99	15.50	15.30	104.71%	0.076	0.080	-
NR n41_ULMIMO			270	0	Right Edge	5	518598	2592.99	14.00	13.80	104.71%	0.054	0.057	-
NR n48_ULMIMO			1	1	Front Surface	5	638000	3570	15.50	15.37	103.04%	0.033	0.034	-
NR n48_ULMIMO			50	28	Front Surface	5	638000	3570	15.50	15.22	106.66%	0.031	0.033	-
NR n48_ULMIMO			100	0	Front Surface	5	641668	3625	14.00	13.73	106.41%	0.028	0.030	-
NR n48_ULMIMO			1	1	Back Surface	5	638000	3570	15.50	15.37	103.04%	0.094	0.097	-
NR n48_ULMIMO			1	1	Back Surface	5	641668	3625	15.50	15.33	103.99%	0.132	0.137	-
NR n48_ULMIMO			1	1	Back Surface	5	645333	3679.995	15.50	15.25	105.93%	0.160	0.169	025
NR n48_ULMIMO			50	28	Back Surface	5	638000	3570	15.50	15.22	106.66%	0.088	0.094	-
NR n48_ULMIMO			100	0	Back Surface	5	641668	3625	14.00	13.73	106.41%	0.062	0.066	-
NR n48_ULMIMO			1	1	Top Edge	5	638000	3570	15.50	15.37	103.04%	0.089	0.092	-
NR n48_ULMIMO			50	28	Top Edge	5	638000	3570	15.50	15.22	106.66%	0.083	0.089	-
NR n48_ULMIMO			100	0	Top Edge	5	641668	3625	14.00	13.73	106.41%	0.059	0.063	-
NR n48_ULMIMO			1	1	Bottom Edge	5	638000	3570	15.50	15.37	103.04%	0.009	0.009	-
NR n48_ULMIMO			50	28	Bottom Edge	5	638000	3570	15.50	15.22	106.66%	0.008	0.009	-
NR n48_ULMIMO			100	0	Bottom Edge	5	641668	3625	14.00	13.73	106.41%	0.006	0.006	-
NR n48_ULMIMO			1	1	Left Edge	5	638000	3570	15.50	15.37	103.04%	0.028	0.029	-
NR n48_ULMIMO			50	28	Left Edge	5	638000	3570	15.50	15.22	106.66%	0.027	0.029	-
NR n48_ULMIMO			100	0	Left Edge	5	641668	3625	14.00	13.73	106.41%	0.018	0.019	-
NR n48_ULMIMO			1	1	Right Edge	5	638000	3570	15.50	15.37	103.04%	0.048	0.049	-
NR n48_ULMIMO			50	28	Right Edge	5	638000	3570	15.50	15.22	106.66%	0.037	0.039	-
NR n48_ULMIMO			100	0	Right Edge	5	641668	3625	14.00	13.73	106.41%	0.027	0.029	-
NR n77_FCC			1	1	Front Surface	5	662000	3930	20.00	19.95	101.16%	0.284	0.287	-
NR n77_FCC			135	69	Front Surface	5	656000	3840	20.00	19.85	103.51%	0.277	0.287	-
NR n77_FCC			270	0	Front Surface	5	656000	3840	19.00	18.81	104.47%	0.224	0.234	-
NR n77_FCC			1	1	Back Surface	5	650000	3750	20.00	19.83	103.99%	0.961	0.999	-
NR n77_FCC			1	1	Back Surface	5	653000	3795	20.00	19.88	102.80%	0.987	1.015	-
NR n77_FCC			1	1	Back Surface	5	656000	3840	20.00	19.92	101.86%	1.030	1.049	-
NR n77_FCC			1	1	Back Surface	5	659000	3885	20.00	19.93	101.62%	1.110	1.128	-
NR n77_FCC			1	1	Back Surface	5	662000	3930	20.00	19.95	101.16%	1.140	1.153	026
NR n77_FCC			135	69	Back Surface	5	656000	3840	20.00	19.85	103.51%	1.080	1.118	-
NR n77_FCC			270	0	Back Surface	5	656000	3840	19.00	18.81	104.47%	0.911	0.952	-
NR n77_FCC			1	1	Top Edge	5	662000	3930	20.00	19.95	101.16%	0.346	0.350	-
NR n77_FCC			135	69	Top Edge	5	656000	3840	20.00	19.85	103.51%	0.333	0.345	-
NR n77_FCC			270	0	Top Edge	5	656000	3840	19.00	18.81	104.47%	0.269	0.281	-
NR n77_FCC			1	1	Bottom Edge	5	662000	3930	20.00	19.95	101.16%	0.027	0.027	-
NR n77_FCC			135	69	Bottom Edge	5	656000	3840	20.00	19.85	103.51%	0.023	0.024	-
NR n77_FCC			270	0	Bottom Edge	5	656000	3840	19.00	18.81	104.47%	0.017	0.018	-
NR n77_FCC			1	1	Left Edge	5	662000	3930	20.00	19.95	101.16%	0.088	0.089	-
NR n77_FCC			135	69	Left Edge	5	656000	3840	20.00	19.85	103.51%	0.081	0.084	-
NR n77_FCC			270	0	Left Edge	5	656000	3840	19.00	18.81	104.47%	0.067	0.070	-
NR n77_FCC			1	1	Right Edge	5	662000	3930	20.00	19.95	101.16%	0.385	0.389	-
NR n77_FCC			135	69	Right Edge	5	656000	3840	20.00	19.85	103.51%	0.372	0.385	-
NR n77_FCC			270	0	Right Edge	5	656000	3840	19.00	18.81	104.47%	0.301	0.314	-
NR n77_FCC*			1	1	Back Surface	5	662000	3930	20.00	19.95	101.16%	1.100	1.113	-
NR n77(HPUE)_FCC			1	1	Front Surface	5	662000	3930	21.00	20.95	101.16%	0.366	0.370	-
NR n77(HPUE)_FCC			135	69	Front Surface	5	662000	3930	21.00	20.71	106.91%	0.344	0.368	-
NR n77(HPUE)_FCC			270	0	Front Surface	5	659000	3885	20.00	19.84	103.75%	0.291	0.302	-
NR n77(HPUE)_FCC			1	1	Back Surface	5	650000	3750	21.00	20.77	105.44%	1.010	1.065	-
NR n77(HPUE)_FCC			1	1	Back Surface	5	653000	3795	21.00	20.81	104.47%	1.090	1.139	-
NR n77(HPUE)_FCC			1	1	Back Surface	5	656000	3840	21.00	20.84	103.75%	1.170	1.214	-
NR n77(HPUE)_FCC			1	1	Back Surface	5	659000	3885	21.00	20.89	102.57%	1.230	1.262	-
NR n77(HPUE)_FCC			1	1	Back Surface	5	662000	3930	21.00	20.95	101.16%	1.260	1.275	027
NR n77(HPUE)_FCC			135	69	Back Surface	5	662000	3930	21.00	20.71	106.91%	1.120	1.197	-
NR n77(HPUE)_FCC			270	0	Back Surface	5	659000	3885	20.00	19.84	103.75%	0.994	1.031	-
NR n77(HPUE)_FCC			1	1	Top Edge	5	662000	3930	21.00	20.95	101.16%	0.451	0.456	-
NR n77(HPUE)_FCC			135	69	Top Edge	5	662000	3930	21.00	20.71	106.91%	0.423	0.452	-
NR n77(HPUE)_FCC			270	0	Top Edge	5	659000	3885	20.00	19.84	103.75%	0.346	0.359	-
NR n77(HPUE)_FCC			1	1	Bottom Edge	5	662000	3930	21.00	20.95	101.16%	0.036	0.036	-
NR n77(HPUE)_FCC			135	69	Bottom Edge	5	662000	3930	21.00	20.71	106.91%	0.033	0.035	-
NR n77(HPUE)_FCC			270	0	Bottom Edge	5	659000	3885	20.00	19.84	103.75%	0.025	0.026	-
NR n77(HPUE)_FCC			1	1	Left Edge	5	662000	3930	21.00	20.95	101.16%	0.131	0.133	-
NR n77(HPUE)_FCC			135	69	Left Edge	5	662000	3930	21.00	20.71	106.91%	0.124	0.133	-
NR n77(HPUE)_FCC			270	0	Left Edge	5	659000	3885	20.00	19.84	103.75%	0.105	0.109	-
NR n77(HPUE)_FCC			1	1	Right Edge	5	662000	3930	21.00	20.95	101.16%	0.442	0.447	-
NR n77(HPUE)_FCC			135	69	Right Edge	5	662000	3930	21.00	20.71	106.91%	0.420		

Sample ID	Freq. (MHz)	Modulation	Plane	Point	Surface	Antenna	Power (dBm)	SAR (W/kg)	Max SAR (W/kg)	10g Avg SAR (W/kg)	10g Avg SAR (mW/kg)	0.1m Avg SAR (W/kg)	0.1m Avg SAR (mW/kg)	Remarks		
NR n77 & n78FCC	100MHz	SCS 30kHz QPSK	1	1	Front Surface	5	633333	3499.995	20.00	19.75	105.93%	0.089	0.094	-		
NR n77 & n78FCC			135	69	Front Surface	5	633333	3499.995	20.00	19.69	107.40%	0.087	0.094	-		
NR n77 & n78FCC			270	0	Front Surface	5	633333	3499.995	19.00	18.81	104.47%	0.073	0.076	-		
NR n77 & n78FCC			1	1	Back Surface	5	633333	3499.995	20.00	19.75	105.93%	0.277	0.293	028		
NR n77 & n78FCC			135	69	Back Surface	5	633333	3499.995	20.00	19.69	107.40%	0.270	0.290	-		
NR n77 & n78FCC			270	0	Back Surface	5	633333	3499.995	19.00	18.81	104.47%	0.242	0.253	-		
NR n77 & n78FCC			1	1	Top Edge	5	633333	3499.995	20.00	19.75	105.93%	0.136	0.144	-		
NR n77 & n78FCC			135	69	Top Edge	5	633333	3499.995	20.00	19.69	107.40%	0.131	0.141	-		
NR n77 & n78FCC			270	0	Top Edge	5	633333	3499.995	19.00	18.81	104.47%	0.110	0.115	-		
NR n77 & n78FCC			1	1	Bottom Edge	5	633333	3499.995	20.00	19.75	105.93%	0.014	0.015	-		
NR n77 & n78FCC			135	69	Bottom Edge	5	633333	3499.995	20.00	19.69	107.40%	0.013	0.014	-		
NR n77 & n78FCC			270	0	Bottom Edge	5	633333	3499.995	19.00	18.81	104.47%	0.009	0.009	-		
NR n77 & n78FCC			1	1	Left Edge	5	633333	3499.995	20.00	19.75	105.93%	0.049	0.052	-		
NR n77 & n78FCC			135	69	Left Edge	5	633333	3499.995	20.00	19.69	107.40%	0.046	0.049	-		
NR n77 & n78FCC			270	0	Left Edge	5	633333	3499.995	19.00	18.81	104.47%	0.039	0.041	-		
NR n77 & n78FCC			1	1	Right Edge	5	633333	3499.995	20.00	19.75	105.93%	0.152	0.161	-		
NR n77 & n78FCC			135	69	Right Edge	5	633333	3499.995	20.00	19.69	107.40%	0.148	0.159	-		
NR n77 & n78FCC			270	0	Right Edge	5	633333	3499.995	19.00	18.81	104.47%	0.125	0.131	-		
NR n77 & n78(HPUF)FCC			100MHz	SCS 30kHz QPSK	1	1	Front Surface	5	633333	3499.995	21.00	20.69	107.40%	0.103	0.111	-
NR n77 & n78(HPUF)FCC					135	69	Front Surface	5	633333	3499.995	21.00	20.51	111.94%	0.100	0.112	-
NR n77 & n78(HPUF)FCC					270	0	Front Surface	5	633333	3499.995	20.00	18.81	131.52%	0.073	0.096	-
NR n77 & n78(HPUF)FCC					1	1	Back Surface	5	633333	3499.995	21.00	20.69	107.40%	0.292	0.314	029
NR n77 & n78(HPUF)FCC					135	69	Back Surface	5	633333	3499.995	21.00	20.51	111.94%	0.279	0.312	-
NR n77 & n78(HPUF)FCC					270	0	Back Surface	5	633333	3499.995	20.00	18.81	131.52%	0.242	0.318	-
NR n77 & n78(HPUF)FCC	1	1			Top Edge	5	633333	3499.995	21.00	20.69	107.40%	0.152	0.163	-		
NR n77 & n78(HPUF)FCC	135	69			Top Edge	5	633333	3499.995	21.00	20.51	111.94%	0.148	0.166	-		
NR n77 & n78(HPUF)FCC	270	0			Top Edge	5	633333	3499.995	20.00	18.81	131.52%	0.110	0.145	-		
NR n77 & n78(HPUF)FCC	1	1			Bottom Edge	5	633333	3499.995	21.00	20.69	107.40%	0.017	0.018	-		
NR n77 & n78(HPUF)FCC	135	69			Bottom Edge	5	633333	3499.995	21.00	20.51	111.94%	0.015	0.017	-		
NR n77 & n78(HPUF)FCC	270	0			Bottom Edge	5	633333	3499.995	20.00	18.81	131.52%	0.009	0.012	-		
NR n77 & n78(HPUF)FCC	1	1			Left Edge	5	633333	3499.995	21.00	20.69	107.40%	0.059	0.063	-		
NR n77 & n78(HPUF)FCC	135	69			Left Edge	5	633333	3499.995	21.00	20.51	111.94%	0.057	0.064	-		
NR n77 & n78(HPUF)FCC	270	0			Left Edge	5	633333	3499.995	20.00	18.81	131.52%	0.039	0.051	-		
NR n77 & n78(HPUF)FCC	1	1			Right Edge	5	633333	3499.995	21.00	20.69	107.40%	0.168	0.180	-		
NR n77 & n78(HPUF)FCC	135	69			Right Edge	5	633333	3499.995	21.00	20.51	111.94%	0.163	0.182	-		
NR n77 & n78(HPUF)FCC	270	0			Right Edge	5	633333	3499.995	20.00	18.81	131.52%	0.125	0.164	-		
NR n78FCC	100MHz	SCS 30kHz QPSK			1	1	Front Surface	5	650000	3750	20.00	19.75	105.93%	0.289	0.306	-
NR n78FCC					135	69	Front Surface	5	650000	3750	20.00	19.57	110.41%	0.271	0.299	-
NR n78FCC					270	0	Front Surface	5	650000	3750	19.00	18.63	108.89%	0.227	0.247	-
NR n78FCC					1	1	Back Surface	5	650000	3750	20.00	19.75	105.93%	0.626	0.663	032
NR n78FCC					135	69	Back Surface	5	650000	3750	20.00	19.57	110.41%	0.593	0.655	-
NR n78FCC					270	0	Back Surface	5	650000	3750	19.00	18.81	104.47%	0.503	0.525	-
NR n78FCC			1	1	Top Edge	5	650000	3750	20.00	19.75	105.93%	0.341	0.361	-		
NR n78FCC			135	69	Top Edge	5	650000	3750	20.00	19.57	110.41%	0.322	0.356	-		
NR n78FCC			270	0	Top Edge	5	650000	3750	19.00	18.81	104.47%	0.277	0.289	-		
NR n78FCC			1	1	Bottom Edge	5	650000	3750	20.00	19.75	105.93%	0.035	0.037	-		
NR n78FCC			135	69	Bottom Edge	5	650000	3750	20.00	19.57	110.41%	0.033	0.036	-		
NR n78FCC			270	0	Bottom Edge	5	650000	3750	19.00	18.81	104.47%	0.029	0.030	-		
NR n78FCC			1	1	Left Edge	5	650000	3750	20.00	19.75	105.93%	0.132	0.140	-		
NR n78FCC			135	69	Left Edge	5	650000	3750	20.00	19.57	110.41%	0.127	0.140	-		
NR n78FCC			270	0	Left Edge	5	650000	3750	19.00	18.81	104.47%	0.109	0.114	-		
NR n78FCC			1	1	Right Edge	5	650000	3750	20.00	19.75	105.93%	0.255	0.270	-		
NR n78FCC			135	69	Right Edge	5	650000	3750	20.00	19.57	110.41%	0.239	0.264	-		
NR n78FCC			270	0	Right Edge	5	650000	3750	19.00	18.81	104.47%	0.219	0.229	-		
NR n78(HPUF)FCC			100MHz	SCS 30kHz QPSK	1	1	Front Surface	5	650000	3750	21.00	20.58	110.15%	0.342	0.377	-
NR n78(HPUF)FCC					135	69	Front Surface	5	650000	3750	21.00	20.34	116.41%	0.323	0.376	-
NR n78(HPUF)FCC					270	0	Front Surface	5	650000	3750	20.00	18.63	137.09%	0.228	0.313	-
NR n78(HPUF)FCC					1	1	Back Surface	5	650000	3750	21.00	20.58	110.15%	0.725	0.799	033
NR n78(HPUF)FCC					135	69	Back Surface	5	650000	3750	21.00	20.34	116.41%	0.683	0.795	-
NR n78(HPUF)FCC					270	0	Back Surface	5	650000	3750	20.00	18.81	131.52%	0.394	0.518	-
NR n78(HPUF)FCC	1	1			Top Edge	5	650000	3750	21.00	20.58	110.15%	0.443	0.488	-		
NR n78(HPUF)FCC	135	69			Top Edge	5	650000	3750	21.00	20.34	116.41%	0.419	0.488	-		
NR n78(HPUF)FCC	270	0			Top Edge	5	650000	3750	20.00	18.81	131.52%	0.299	0.393	-		
NR n78(HPUF)FCC	1	1			Bottom Edge	5	650000	3750	21.00	20.58	110.15%	0.037	0.041	-		
NR n78(HPUF)FCC	135	69			Bottom Edge	5	650000	3750	21.00	20.34	116.41%	0.036	0.042	-		
NR n78(HPUF)FCC	270	0			Bottom Edge	5	650000	3750	20.00	18.81	131.52%	0.030	0.039	-		
NR n78(HPUF)FCC	1	1			Left Edge	5	650000	3750	21.00	20.58	110.15%	0.169	0.186	-		
NR n78(HPUF)FCC	135	69			Left Edge	5	650000	3750	21.00	20.34	116.41%	0.161	0.187	-		
NR n78(HPUF)FCC	270	0			Left Edge	5	650000	3750	20.00	18.81	131.52%	0.120	0.158	-		
NR n78(HPUF)FCC	1	1			Right Edge	5	650000	3750	21.00	20.58	110.15%	0.313	0.345	-		
NR n78(HPUF)FCC	135	69			Right Edge	5	650000	3750	21.00	20.34	116.41%	0.294	0.342	-		
NR n78(HPUF)FCC	270	0			Right Edge	5	650000	3750	20.00	18.81	131.52%	0.214	0.281	-		

Repeat " "

* - repeated at the highest SAR measurement according to the KDB 865664 D01

* - Worst Spot check

Unless otherwise stated the results shown in this test report refer only to the sample(s) tested and such sample(s) are retained for 90 days only.

除非另有說明，此報告結果僅對測試之樣品負責，同時此樣品僅保留90天。本報告未經本公司書面許可，不可部份複製。

This document is issued by the Company subject to its General Conditions of Service printed overleaf, available on request or accessible at <http://www.sgs.com.tw/Terms-and-Conditions> and for electronic format documents, subject to Terms and Conditions for Electronic Documents at <http://www.sgs.com.tw/Terms-and-Conditions>. Attention is drawn to the limitation of liability, indemnification and jurisdiction issues defined therein. Any holder of this document is advised that information contained hereon reflects the Company's findings at the time of its intervention only and within the limits of Client's instructions, if any. The Company's sole responsibility is to its Client and this document does not exonerate parties to a transaction from exercising all their rights and obligations under the transaction documents. This document cannot be reproduced except in full, without prior written approval of the Company. Any unauthorized alteration, forgery or falsification of the content or appearance of this document is unlawful and offenders may be prosecuted to the fullest extent of the law.

Mode	Bandwidth (MHz)	Modulation	RB Size	RB start	Position	Distance (mm)	Channel	Freq. (MHz)	Max. Rated Avg. Power + Max. Tolerance (dBm)	Measured Avg. Power (dBm)	Scaling	Averaged SAR over 1g (W/kg)		ID		
												Measured	Reported			
LTE Band 4_Inter band	20MHz	QPSK	1	0	Front Surface	5	20050	1720	20.00	19.74	106.17%	0.139	0.148	-		
LTE Band 4_Inter band			50	0	Front Surface	5	20050	1720	19.00	18.66	108.14%	0.113	0.122	-		
LTE Band 4_Inter band			100RB	Front Surface	5	20175	1732.5	19.00	18.52	111.69%	0.102	0.114	-			
LTE Band 4_Inter band			1	0	Back Surface	5	20050	1720	20.00	19.74	106.17%	0.257	0.273	-		
LTE Band 4_Inter band			50	0	Back Surface	5	20050	1720	19.00	18.66	108.14%	0.197	0.213	-		
LTE Band 4_Inter band			100RB	Back Surface	5	20175	1732.5	19.00	18.52	111.69%	0.168	0.188	-			
LTE Band 4_Inter band			1	0	Top Edge	5	20050	1720	20.00	19.74	106.17%	0.118	0.125	-		
LTE Band 4_Inter band			50	0	Top Edge	5	20050	1720	19.00	18.66	108.14%	0.099	0.107	-		
LTE Band 4_Inter band			100RB	Top Edge	5	20175	1732.5	19.00	18.52	111.69%	0.098	0.109	-			
LTE Band 4_Inter band			1	0	Bottom Edge	5	20050	1720	20.00	19.74	106.17%	0.124	0.132	-		
LTE Band 4_Inter band			50	0	Bottom Edge	5	20050	1720	19.00	18.66	108.14%	0.102	0.110	-		
LTE Band 4_Inter band			100RB	Bottom Edge	5	20175	1732.5	19.00	18.52	111.69%	0.098	0.110	-			
LTE Band 4_Inter band			1	0	Left Edge	5	20050	1720	20.00	19.74	106.17%	0.079	0.084	-		
LTE Band 4_Inter band			50	0	Left Edge	5	20050	1720	19.00	18.66	108.14%	0.062	0.067	-		
LTE Band 4_Inter band			100RB	Left Edge	5	20175	1732.5	19.00	18.52	111.69%	0.061	0.068	-			
LTE Band 4_Inter band			1	0	Right Edge	5	20050	1720	20.00	19.74	106.17%	0.408	0.433	-		
LTE Band 4_Inter band			1	0	Right Edge	5	20175	1732.5	20.00	19.58	110.15%	0.442	0.487	-		
LTE Band 4_Inter band			1	0	Right Edge	5	20300	1745	20.00	19.69	107.40%	0.494	0.531	034		
LTE Band 4_Inter band			50	0	Right Edge	5	20050	1720	19.00	18.66	108.14%	0.332	0.359	-		
LTE Band 4_Inter band			100RB	Right Edge	5	20175	1732.5	19.00	18.52	111.69%	0.309	0.345	-			
LTE Band 5_Inter band			10MHz	QPSK	1	0	Front Surface	5	20450	829	20.00	19.88	102.80%	0.158	0.162	-
LTE Band 5_Inter band					25	12	Front Surface	5	20525	836.5	19.00	18.76	105.68%	0.102	0.108	-
LTE Band 5_Inter band					50RB	Front Surface	5	20450	829	19.00	18.84	103.75%	0.107	0.111	-	
LTE Band 5_Inter band					1	0	Back Surface	5	20450	829	20.00	19.88	102.80%	0.306	0.315	-
LTE Band 5_Inter band					25	25	Back Surface	5	20525	836.5	19.00	18.76	105.68%	0.214	0.226	-
LTE Band 5_Inter band					50RB	Back Surface	5	20450	829	19.00	18.84	103.75%	0.220	0.228	-	
LTE Band 5_Inter band	1	0			Top Edge	5	20450	829	20.00	19.88	102.80%	0.129	0.133	-		
LTE Band 5_Inter band	25	25			Top Edge	5	20525	836.5	19.00	18.76	105.68%	0.088	0.093	-		
LTE Band 5_Inter band	50RB	Top Edge			5	20450	829	19.00	18.84	103.75%	0.089	0.093	-			
LTE Band 5_Inter band	1	0			Bottom Edge	5	20450	829	20.00	19.88	102.80%	0.137	0.141	-		
LTE Band 5_Inter band	25	25			Bottom Edge	5	20525	836.5	19.00	18.76	105.68%	0.098	0.104	-		
LTE Band 5_Inter band	50RB	Bottom Edge			5	20450	829	19.00	18.84	103.75%	0.099	0.103	-			
LTE Band 5_Inter band	1	0			Left Edge	5	20450	829	20.00	19.88	102.80%	0.108	0.111	-		
LTE Band 5_Inter band	25	25			Left Edge	5	20525	836.5	19.00	18.76	105.68%	0.075	0.079	-		
LTE Band 5_Inter band	50RB	Left Edge			5	20450	829	19.00	18.84	103.75%	0.074	0.077	-			
LTE Band 5_Inter band	1	0			Right Edge	5	20450	829	20.00	19.88	102.80%	0.451	0.464	-		
LTE Band 5_Inter band	1	0			Right Edge	5	20525	836.5	20.00	19.81	104.47%	0.459	0.480	035		
LTE Band 5_Inter band	1	0			Right Edge	5	20600	844	20.00	19.73	106.41%	0.454	0.483	-		
LTE Band 5_Inter band	25	25			Right Edge	5	20525	836.5	19.00	18.76	105.68%	0.367	0.388	-		
LTE Band 5_Inter band	50RB	Right Edge			5	20450	829	19.00	18.84	103.75%	0.334	0.347	-			
LTE Band 7	20MHz	QPSK			1	0	Front Surface	5	21350	2560	21.00	20.69	107.40%	0.282	0.303	-
LTE Band 7					50	50	Front Surface	5	21350	2560	20.00	19.56	110.66%	0.193	0.214	-
LTE Band 7					100RB	Front Surface	5	21350	2560	20.00	19.62	109.14%	0.184	0.201	-	
LTE Band 7					1	0	Back Surface	5	21350	2560	21.00	20.69	107.40%	0.604	0.649	-
LTE Band 7					50	50	Back Surface	5	21350	2560	20.00	19.56	110.66%	0.386	0.427	-
LTE Band 7					100RB	Back Surface	5	21350	2560	20.00	19.62	109.14%	0.352	0.384	-	
LTE Band 7			1	0	Top Edge	5	21350	2560	21.00	20.69	107.40%	0.247	0.265	-		
LTE Band 7			50	50	Top Edge	5	21350	2560	20.00	19.56	110.66%	0.162	0.179	-		
LTE Band 7			100RB	Top Edge	5	21350	2560	20.00	19.62	109.14%	0.151	0.165	-			
LTE Band 7			1	0	Bottom Edge	5	21350	2560	21.00	20.69	107.40%	0.251	0.270	-		
LTE Band 7			50	50	Bottom Edge	5	21350	2560	20.00	19.56	110.66%	0.166	0.184	-		
LTE Band 7			100RB	Bottom Edge	5	21350	2560	20.00	19.62	109.14%	0.153	0.167	-			
LTE Band 7			1	0	Left Edge	5	21350	2560	21.00	20.69	107.40%	0.124	0.133	-		
LTE Band 7			50	50	Left Edge	5	21350	2560	20.00	19.56	110.66%	0.098	0.108	-		
LTE Band 7			100RB	Left Edge	5	21350	2560	20.00	19.62	109.14%	0.094	0.102	-			
LTE Band 7			1	0	Right Edge	5	20850	2510	21.00	20.48	112.72%	0.675	0.761	-		
LTE Band 7			1	0	Right Edge	5	21100	2535	21.00	20.52	111.69%	0.783	0.875	036		
LTE Band 7			1	0	Right Edge	5	21350	2560	21.00	20.69	107.40%	0.764	0.821	-		
LTE Band 7			50	50	Right Edge	5	21350	2560	20.00	19.56	110.66%	0.736	0.814	-		
LTE Band 7			100RB	Right Edge	5	21350	2560	20.00	19.62	109.14%	0.702	0.766	-			
LTE Band 7			1	0	Right Edge	5	21350	2560	21.00	20.17	121.06%	0.706	0.855	-		
ULCA 7C spot check			1	0	Right Edge	5	21100	2535	21.00	20.52	111.69%	0.774	0.864	-		
LTE Band 12_Inter band			10MHz	QPSK	1	0	Front Surface	5	23095	707.5	20.00	19.64	108.64%	0.116	0.126	-
LTE Band 12_Inter band					25	25	Front Surface	5	23130	711	19.00	18.51	111.94%	0.103	0.115	-
LTE Band 12_Inter band					50RB	Front Surface	5	23095	707.5	19.00	18.47	112.98%	0.099	0.112	-	
LTE Band 12_Inter band					1	0	Back Surface	5	23095	707.5	20.00	19.64	108.64%	0.214	0.232	-
LTE Band 12_Inter band	25	50			Back Surface	5	23130	711	19.00	18.51	111.94%	0.176	0.197	-		
LTE Band 12_Inter band	50RB	Back Surface			5	23095	707.5	19.00	18.47	112.98%	0.153	0.173	-			
LTE Band 12_Inter band	1	0			Top Edge	5	23095	707.5	20.00	19.64	108.64%	0.088	0.096	-		
LTE Band 12_Inter band	25	50			Top Edge	5	23130	711	19.00	18.51	111.94%	0.074	0.083	-		
LTE Band 12_Inter band	50RB	Top Edge			5	23095	707.5	19.00	18.47	112.98%	0.072	0.082	-			
LTE Band 12_Inter band	1	0			Bottom Edge	5	23095	707.5	20.00	19.64	108.64%	0.091	0.099	-		
LTE Band 12_Inter band	25	50			Bottom Edge	5	23130	711	19.00	18.51	111.94%	0.076	0.085	-		
LTE Band 12_Inter band	50RB	Bottom Edge			5	23095	707.5	19.00	18.47	112.98%	0.074	0.083	-			
LTE Band 12_Inter band	1	0			Left Edge	5	23095	707.5	20.00	19.64	108.64%	0.067	0.073	-		
LTE Band 12_Inter band	25	50			Left Edge	5	23130	711	19.00	18.51	111.94%	0.042	0.047	-		
LTE Band 12_Inter band	50RB	Left Edge			5	23095	707.5	19.00	18.47	112.98%	0.040	0.045	-			
LTE Band 12_Inter band	1	0			Right Edge	5	23060	704	20.00	19.53	111.43%	0.411	0.458	-		
LTE Band 12_Inter band	1	0			Right Edge	5	23095	707.5	20.00	19.64	108.64%	0.440	0.478	037		
LTE Band 12_Inter band	1	0			Right Edge	5	23130	711	20.00	19.62	109.14%	0.396	0.432	-		
LTE Band 12_Inter band	25	50			Right Edge	5	23130	711	19.00	18.51	111.94%	0.317	0.355	-		
LTE Band 12_Inter band	50RB	Right Edge			5	23095	707.5	19.00	18.47	112.98%	0.302	0.341	-			

Unless otherwise stated the results shown in this test report refer only to the sample(s) tested and such sample(s) are retained for 90 days only.

除非另有說明，此報告結果僅對測試之樣品負責，同時此樣品僅保留90天。本報告未經本公司書面許可，不可部份複製。

This document is issued by the Company subject to its General Conditions of Service printed overleaf, available on request or accessible at <http://www.sgs.com.tw/Terms-and-Conditions> and for electronic format documents, subject to Terms and Conditions for Electronic Documents at <http://www.sgs.com.tw/Terms-and-Conditions>. Attention is drawn to the limitation of liability, indemnification and jurisdiction issues defined therein. Any holder of this document is advised that information contained hereon reflects the Company's findings at the time of its intervention only and within the limits of Client's instructions, if any. The Company's sole responsibility is to its Client and this document does not exonerate parties to a transaction from exercising all their rights and obligations under the transaction documents. This document cannot be reproduced except in full, without prior written approval of the Company. Any unauthorized alteration, forgery or falsification of the content or appearance of this document is unlawful and offenders may be prosecuted to the fullest extent of the law.



Table with columns for band name, frequency (MHz), modulation (QPSK), and various measurement parameters (1, 0, 25, 50, 50RB, 100RB, 75RB, 36, 1) across different surface types (Front, Back, Top, Bottom, Left, Right Edge) and positions (1, 25, 50). It includes numerical values for signal strength and other metrics.

Unless otherwise stated the results shown in this test report refer only to the sample(s) tested and such sample(s) are retained for 90 days only.
除非另有說明，此報告結果僅對測試之樣品負責。同時此樣品僅保留90天。本報告未經本公司書面許可，不可部份複製。
This document is issued by the Company subject to its General Conditions of Service printed overleaf, available on request or accessible at http://www.sgs.com.tw/Terms-and-Conditions and for electronic format documents, subject to Terms and Conditions for Electronic Documents at http://www.sgs.com.tw/Terms-and-Conditions. Attention is drawn to the limitation of liability, indemnification and jurisdiction issues defined therein.

Band	Modulation	Surface	Frequency	Power	Shielding	Shielding	Shielding	Shielding	Shielding	Shielding	Shielding	Shielding	Shielding					
LTE Band 30	10MHz	QPSK	1	0	Front Surface	5	27710	2310	21.00	20.83	103.99%	0.072	0.075	-				
LTE Band 30			25	0	Front Surface	5	27710	2310	20.00	19.75	105.93%	0.059	0.063	-				
LTE Band 30			50RB				Front Surface	5	27710	2310	20.00	19.60	109.65%	0.058	0.063	-		
LTE Band 30			1	0	Back Surface	5	27710	2310	21.00	20.83	103.99%	0.334	0.347	-				
LTE Band 30			25	0	Back Surface	5	27710	2310	20.00	19.75	105.93%	0.252	0.267	-				
LTE Band 30			50RB				Back Surface	5	27710	2310	20.00	19.60	109.65%	0.237	0.260	-		
LTE Band 30			1	0	Top Edge	5	27710	2310	21.00	20.83	103.99%	0.069	0.071	-				
LTE Band 30			25	0	Top Edge	5	27710	2310	20.00	19.75	105.93%	0.055	0.059	-				
LTE Band 30			50RB				Top Edge	5	27710	2310	20.00	19.60	109.65%	0.053	0.058	-		
LTE Band 30			1	0	Bottom Edge	5	27710	2310	21.00	20.83	103.99%	0.070	0.073	-				
LTE Band 30			25	0	Bottom Edge	5	27710	2310	20.00	19.75	105.93%	0.057	0.061	-				
LTE Band 30			50RB				Bottom Edge	5	27710	2310	20.00	19.60	109.65%	0.057	0.062	-		
LTE Band 30			1	0	Left Edge	5	27710	2310	21.00	20.83	103.99%	0.052	0.054	-				
LTE Band 30			25	0	Left Edge	5	27710	2310	20.00	19.75	105.93%	0.036	0.038	-				
LTE Band 30			50RB				Left Edge	5	27710	2310	20.00	19.60	109.65%	0.032	0.035	-		
LTE Band 30			1	0	Right Edge	5	27710	2310	21.00	20.83	103.99%	0.697	0.725	044				
LTE Band 30			25	0	Right Edge	5	27710	2310	20.00	19.75	105.93%	0.520	0.551	-				
LTE Band 30			50RB				Right Edge	5	27710	2310	20.00	19.60	109.65%	0.502	0.550	-		
LTE Band 66_Inter band			20MHz	QPSK	1	0	Front Surface	5	132322	1745	20.00	19.88	102.80%	0.148	0.152	-		
LTE Band 66_Inter band					50	0	Front Surface	5	132322	1745	19.00	18.83	103.99%	0.111	0.115	-		
LTE Band 66_Inter band					100RB				Front Surface	5	132322	1745	19.00	18.78	105.20%	0.106	0.112	-
LTE Band 66_Inter band					1	0	Back Surface	5	132322	1745	20.00	19.88	102.80%	0.274	0.282	-		
LTE Band 66_Inter band					50	0	Back Surface	5	132322	1745	19.00	18.83	103.99%	0.216	0.225	-		
LTE Band 66_Inter band					100RB				Back Surface	5	132322	1745	19.00	18.78	105.20%	0.198	0.208	-
LTE Band 66_Inter band	1	0			Top Edge	5	132322	1745	20.00	19.88	102.80%	0.133	0.137	-				
LTE Band 66_Inter band	50	0			Top Edge	5	132322	1745	19.00	18.83	103.99%	0.099	0.103	-				
LTE Band 66_Inter band	100RB						Top Edge	5	132322	1745	19.00	18.78	105.20%	0.098	0.103	-		
LTE Band 66_Inter band	1	0			Bottom Edge	5	132322	1745	20.00	19.88	102.80%	0.137	0.141	-				
LTE Band 66_Inter band	50	0			Bottom Edge	5	132322	1745	19.00	18.83	103.99%	0.102	0.106	-				
LTE Band 66_Inter band	100RB						Bottom Edge	5	132322	1745	19.00	18.78	105.20%	0.099	0.104	-		
LTE Band 66_Inter band	1	0			Left Edge	5	132322	1745	20.00	19.88	102.80%	0.099	0.101	-				
LTE Band 66_Inter band	50	0			Left Edge	5	132322	1745	19.00	18.83	103.99%	0.098	0.102	-				
LTE Band 66_Inter band	100RB						Left Edge	5	132322	1745	19.00	18.78	105.20%	0.093	0.097	-		
LTE Band 66_Inter band	1	0			Right Edge	5	132072	1720	20.00	19.78	105.20%	0.452	0.475	045				
LTE Band 66_Inter band	1	0			Right Edge	5	132322	1745	20.00	19.88	102.80%	0.445	0.457	-				
LTE Band 66_Inter band	1	0			Right Edge	5	132572	1770	20.00	19.82	104.23%	0.412	0.429	-				
LTE Band 66_Inter band	50	0			Right Edge	5	132322	1745	19.00	18.83	103.99%	0.348	0.362	-				
LTE Band 66_Inter band	100RB						Right Edge	5	132322	1745	19.00	18.78	105.20%	0.322	0.339	-		
LTE Band 71_Inter band	20MHz	QPSK			1	0	Front Surface	5	133297	680.5	20.00	19.64	108.64%	0.104	0.113	-		
LTE Band 71_Inter band					50	25	Front Surface	5	133372	688	19.00	18.52	111.69%	0.085	0.095	-		
LTE Band 71_Inter band					100RB				Front Surface	5	133297	680.5	19.00	18.59	109.90%	0.082	0.090	-
LTE Band 71_Inter band					1	0	Back Surface	5	133297	680.5	20.00	19.64	108.64%	0.224	0.243	-		
LTE Band 71_Inter band			50	25	Back Surface	5	133372	688	19.00	18.52	111.69%	0.170	0.190	-				
LTE Band 71_Inter band			100RB				Back Surface	5	133297	680.5	19.00	18.59	109.90%	0.158	0.174	-		
LTE Band 71_Inter band			1	0	Top Edge	5	133297	680.5	20.00	19.64	108.64%	0.085	0.093	-				
LTE Band 71_Inter band			50	25	Top Edge	5	133372	688	19.00	18.52	111.69%	0.073	0.081	-				
LTE Band 71_Inter band			100RB				Top Edge	5	133297	680.5	19.00	18.59	109.90%	0.071	0.078	-		
LTE Band 71_Inter band			1	0	Bottom Edge	5	133297	680.5	20.00	19.64	108.64%	0.095	0.103	-				
LTE Band 71_Inter band			50	25	Bottom Edge	5	133372	688	19.00	18.52	111.69%	0.082	0.091	-				
LTE Band 71_Inter band			100RB				Bottom Edge	5	133297	680.5	19.00	18.59	109.90%	0.079	0.087	-		
LTE Band 71_Inter band			1	0	Left Edge	5	133297	680.5	20.00	19.64	108.64%	0.053	0.058	-				
LTE Band 71_Inter band			50	25	Left Edge	5	133372	688	19.00	18.52	111.69%	0.047	0.052	-				
LTE Band 71_Inter band			100RB				Left Edge	5	133297	680.5	19.00	18.59	109.90%	0.046	0.050	-		
LTE Band 71_Inter band			1	0	Right Edge	5	133222	673	20.00	19.59	109.90%	0.367	0.403	-				
LTE Band 71_Inter band			1	0	Right Edge	5	133297	680.5	20.00	19.64	108.64%	0.413	0.449	046				
LTE Band 71_Inter band			1	0	Right Edge	5	133372	688	20.00	19.61	109.40%	0.382	0.418	-				
LTE Band 71_Inter band			50	25	Right Edge	5	133372	688	19.00	18.52	111.69%	0.326	0.364	-				
LTE Band 71_Inter band			100RB				Right Edge	5	133297	680.5	19.00	18.59	109.90%	0.302	0.332	-		

Unless otherwise stated the results shown in this test report refer only to the sample(s) tested and such sample(s) are retained for 90 days only.

除非另有說明，此報告結果僅對測試之樣品負責，同時此樣品僅保留90天。本報告未經本公司書面許可，不可部份複製。

This document is issued by the Company subject to its General Conditions of Service printed overleaf, available on request or accessible at <http://www.sgs.com.tw/Terms-and-Conditions> and for electronic format documents, subject to Terms and Conditions for Electronic Documents at <http://www.sgs.com.tw/Terms-and-Conditions>. Attention is drawn to the limitation of liability, indemnification and jurisdiction issues defined therein. Any holder of this document is advised that information contained hereon reflects the Company's findings at the time of its intervention only and within the limits of Client's instructions, if any. The Company's sole responsibility is to its Client and this document does not exonerate parties to a transaction from exercising all their rights and obligations under the transaction documents. This document cannot be reproduced except in full, without prior written approval of the Company. Any unauthorized alteration, forgery or falsification of the content or appearance of this document is unlawful and offenders may be prosecuted to the fullest extent of the law.

Mode	Bandwidth (MHz)	Modulation	RB Size	RB start	Position	Distance (mm)	Channel	Freq. (MHz)	Max. Rated Avg. Power + Max. Tolerance (dBm)	Measured Avg. Power (dBm)	Scaling	Averaged SAR over 1g (W/kg)		ID		
												Measured	Reported			
NR n7	40MHz	SCS 15kHz QPSK	1	1	Front Surface	5	510000	2550	20.00	19.75	105.93%	0.141	0.149	-		
NR n7			108	54	Front Surface	5	504000	2520	20.00	19.59	109.90%	0.136	0.149	-		
NR n7			216	0	Front Surface	5	504000	2520	19.00	18.57	110.41%	0.103	0.114	-		
NR n7			1	1	Back Surface	5	510000	2550	20.00	19.75	105.93%	0.323	0.342	-		
NR n7			108	54	Back Surface	5	504000	2520	20.00	19.59	109.90%	0.307	0.337	-		
NR n7			216	0	Back Surface	5	504000	2520	19.00	18.57	110.41%	0.243	0.268	-		
NR n7			1	1	Top Edge	5	510000	2550	20.00	19.75	105.93%	0.112	0.119	-		
NR n7			108	54	Top Edge	5	504000	2520	20.00	19.59	109.90%	0.103	0.113	-		
NR n7			216	0	Top Edge	5	504000	2520	19.00	18.57	110.41%	0.084	0.092	-		
NR n7			1	1	Bottom Edge	5	510000	2550	20.00	19.75	105.93%	0.118	0.125	-		
NR n7			108	54	Bottom Edge	5	504000	2520	20.00	19.59	109.90%	0.110	0.121	-		
NR n7			216	0	Bottom Edge	5	504000	2520	19.00	18.57	110.41%	0.085	0.094	-		
NR n7			1	1	Left Edge	5	510000	2550	20.00	19.75	105.93%	0.058	0.062	-		
NR n7			108	54	Left Edge	5	504000	2520	20.00	19.59	109.90%	0.058	0.063	-		
NR n7			216	0	Left Edge	5	504000	2520	19.00	18.57	110.41%	0.049	0.054	-		
NR n7			1	1	Right Edge	5	504000	2520	20.00	19.71	106.91%	0.683	0.730	-		
NR n7			1	1	Right Edge	5	507000	2535	20.00	19.62	109.14%	0.667	0.728	-		
NR n7			1	1	Right Edge	5	510000	2550	20.00	19.75	105.93%	0.715	0.757	047		
NR n7			108	54	Right Edge	5	504000	2520	20.00	19.59	109.90%	0.702	0.772	-		
NR n7			216	0	Right Edge	5	504000	2520	19.00	18.57	110.41%	0.584	0.645	-		
NR n30			10MHz	SCS 15kHz QPSK	1	1	Front Surface	5	462000	2310	20.00	19.94	101.39%	0.061	0.062	-
NR n30					25	13	Front Surface	5	462000	2310	20.00	19.82	104.23%	0.059	0.061	-
NR n30					100	0	Front Surface	5	462000	2310	19.00	18.75	105.93%	0.051	0.054	-
NR n30					1	1	Back Surface	5	462000	2310	20.00	19.94	101.39%	0.278	0.282	-
NR n30	25	13			Back Surface	5	462000	2310	20.00	19.82	104.23%	0.254	0.265	-		
NR n30	100	0			Back Surface	5	462000	2310	19.00	18.75	105.93%	0.162	0.172	-		
NR n30	1	1			Top Edge	5	462000	2310	20.00	19.94	101.39%	0.057	0.057	-		
NR n30	25	13			Top Edge	5	462000	2310	20.00	19.82	104.23%	0.055	0.058	-		
NR n30	100	0			Top Edge	5	462000	2310	19.00	18.75	105.93%	0.044	0.047	-		
NR n30	1	1			Bottom Edge	5	462000	2310	20.00	19.94	101.39%	0.058	0.059	-		
NR n30	25	13			Bottom Edge	5	462000	2310	20.00	19.82	104.23%	0.058	0.060	-		
NR n30	100	0			Bottom Edge	5	462000	2310	19.00	18.75	105.93%	0.045	0.048	-		
NR n30	1	1			Left Edge	5	462000	2310	20.00	19.94	101.39%	0.037	0.037	-		
NR n30	25	13			Left Edge	5	462000	2310	20.00	19.82	104.23%	0.035	0.037	-		
NR n30	100	0			Left Edge	5	462000	2310	19.00	18.75	105.93%	0.029	0.031	-		
NR n30	1	1			Right Edge	5	462000	2310	20.00	19.94	101.39%	0.551	0.559	048		
NR n30	25	13			Right Edge	5	462000	2310	20.00	19.82	104.23%	0.526	0.548	-		
NR n30	100	0			Right Edge	5	462000	2310	19.00	18.75	105.93%	0.437	0.463	-		
NR n38	40MHz	SCS 30kHz QPSK			1	1	Front Surface	5	518000	2590	20.00	19.63	108.89%	0.117	0.127	-
NR n38					50	28	Front Surface	5	518000	2590	20.00	19.52	111.69%	0.102	0.114	-
NR n38					100	0	Front Surface	5	519000	2595	19.00	18.46	113.24%	0.064	0.072	-
NR n38					1	1	Back Surface	5	518000	2590	20.00	19.63	108.89%	0.457	0.498	-
NR n38					50	28	Back Surface	5	518000	2590	20.00	19.52	111.69%	0.426	0.476	-
NR n38					100	0	Back Surface	5	519000	2595	19.00	18.46	113.24%	0.358	0.405	-
NR n38			1	1	Top Edge	5	518000	2590	20.00	19.63	108.89%	0.087	0.095	-		
NR n38			50	28	Top Edge	5	518000	2590	20.00	19.52	111.69%	0.086	0.096	-		
NR n38			100	0	Top Edge	5	519000	2595	19.00	18.46	113.24%	0.073	0.083	-		
NR n38			1	1	Bottom Edge	5	518000	2590	20.00	19.63	108.89%	0.089	0.097	-		
NR n38			50	28	Bottom Edge	5	518000	2590	20.00	19.52	111.69%	0.088	0.099	-		
NR n38			100	0	Bottom Edge	5	519000	2595	19.00	18.46	113.24%	0.075	0.085	-		
NR n38			1	1	Left Edge	5	518000	2590	20.00	19.63	108.89%	0.051	0.056	-		
NR n38			50	28	Left Edge	5	518000	2590	20.00	19.52	111.69%	0.050	0.055	-		
NR n38			100	0	Left Edge	5	519000	2595	19.00	18.46	113.24%	0.043	0.048	-		
NR n38			1	1	Right Edge	5	518000	2590	20.00	19.63	108.89%	0.695	0.757	049		
NR n38			1	1	Right Edge	5	519000	2595	20.00	19.54	111.17%	0.676	0.752	-		
NR n38			1	1	Right Edge	5	520000	2600	20.00	19.58	110.15%	0.669	0.737	-		
NR n38			50	28	Right Edge	5	518000	2590	20.00	19.52	111.69%	0.664	0.742	-		
NR n38			100	0	Right Edge	5	519000	2595	19.00	18.46	113.24%	0.513	0.581	-		
NR n38(HPUE)			40MHz	SCS 30kHz QPSK	1	1	Front Surface	5	518000	2590	21.00	20.64	108.64%	0.147	0.160	-
NR n38(HPUE)					50	28	Front Surface	5	519000	2595	21.00	20.50	112.20%	0.136	0.153	-
NR n38(HPUE)					100	0	Front Surface	5	518000	2590	20.00	19.51	111.94%	0.086	0.097	-
NR n38(HPUE)					1	1	Back Surface	5	518000	2590	21.00	20.64	108.64%	0.583	0.633	-
NR n38(HPUE)	50	28			Back Surface	5	519000	2595	21.00	20.50	112.20%	0.558	0.626	-		
NR n38(HPUE)	100	0			Back Surface	5	518000	2590	20.00	19.51	111.94%	0.437	0.489	-		
NR n38(HPUE)	1	1			Top Edge	5	518000	2590	21.00	20.64	108.64%	0.106	0.115	-		
NR n38(HPUE)	50	28			Top Edge	5	519000	2595	21.00	20.50	112.20%	0.093	0.105	-		
NR n38(HPUE)	100	0			Top Edge	5	518000	2590	20.00	19.51	111.94%	0.086	0.097	-		
NR n38(HPUE)	1	1			Bottom Edge	5	518000	2590	21.00	20.64	108.64%	0.113	0.123	-		
NR n38(HPUE)	50	28			Bottom Edge	5	519000	2595	21.00	20.50	112.20%	0.105	0.118	-		
NR n38(HPUE)	100	0			Bottom Edge	5	518000	2590	20.00	19.51	111.94%	0.089	0.100	-		
NR n38(HPUE)	1	1			Left Edge	5	518000	2590	21.00	20.64	108.64%	0.055	0.060	-		
NR n38(HPUE)	50	28			Left Edge	5	519000	2595	21.00	20.50	112.20%	0.054	0.060	-		
NR n38(HPUE)	100	0			Left Edge	5	518000	2590	20.00	19.51	111.94%	0.049	0.054	-		
NR n38(HPUE)	1	1			Right Edge	5	518000	2590	21.00	20.64	108.64%	0.875	0.951	050		
NR n38(HPUE)	1	1			Right Edge	5	519000	2595	21.00	20.59	109.90%	0.862	0.947	-		
NR n38(HPUE)	1	1			Right Edge	5	520000	2600	21.00	20.55	110.92%	0.852	0.945	-		
NR n38(HPUE)	50	28			Right Edge	5	519000	2595	21.00	20.50	112.20%	0.844	0.947	-		
NR n38(HPUE)	100	0			Right Edge	5	518000	2590	20.00	19.51	111.94%	0.724	0.810	-		
NR n38(HPUE)*	1	1			Right Edge	5	518000	2590	21.00	20.64	108.64%	0.864	0.939	-		

Unless otherwise stated the results shown in this test report refer only to the sample(s) tested and such sample(s) are retained for 90 days only.

除非另有說明，此報告結果僅對測試之樣品負責，同時此樣品僅保留90天。本報告未經本公司書面許可，不可部份複製。

This document is issued by the Company subject to its General Conditions of Service printed overleaf, available on request or accessible at <http://www.sgs.com.tw/Terms-and-Conditions> and for electronic format documents, subject to Terms and Conditions for Electronic Documents at <http://www.sgs.com.tw/Terms-and-Conditions>. Attention is drawn to the limitation of liability, indemnification and jurisdiction issues defined therein. Any holder of this document is advised that information contained hereon reflects the Company's findings at the time of its intervention only and within the limits of Client's instructions, if any. The Company's sole responsibility is to its Client and this document does not exonerate parties to a transaction from exercising all their rights and obligations under the transaction documents. This document cannot be reproduced except in full, without prior written approval of the Company. Any unauthorized alteration, forgery or falsification of the content or appearance of this document is unlawful and offenders may be prosecuted to the fullest extent of the law.

Sample ID	Frequency	Modulation	Port	Power	Distance	Surface	Frequency	Power	Power Density	Power Density	Power Density	Power Density	Power Density	Power Density		
NR n41	100MHz	SCS 30kHz QPSK	1	1	Front Surface	5	509202	2546.01	20.00	19.74	106.17%	0.057	0.060	-		
NR n41			135	69	Front Surface	5	509202	2546.01	20.00	19.65	108.39%	0.054	0.058	-		
NR n41			270	0	Front Surface	5	509202	2546.01	19.00	18.72	106.66%	0.048	0.051	-		
NR n41			1	1	Back Surface	5	509202	2546.01	20.00	19.74	106.17%	0.235	0.249	-		
NR n41			135	69	Back Surface	5	509202	2546.01	20.00	19.65	108.39%	0.214	0.232	-		
NR n41			270	0	Back Surface	5	509202	2546.01	19.00	18.72	106.66%	0.182	0.194	-		
NR n41			1	1	Top Edge	5	509202	2546.01	20.00	19.74	106.17%	0.048	0.051	-		
NR n41			135	69	Top Edge	5	509202	2546.01	20.00	19.65	108.39%	0.047	0.051	-		
NR n41			270	0	Top Edge	5	509202	2546.01	19.00	18.72	106.66%	0.037	0.040	-		
NR n41			1	1	Bottom Edge	5	509202	2546.01	20.00	19.74	106.17%	0.050	0.053	-		
NR n41			135	69	Bottom Edge	5	509202	2546.01	20.00	19.65	108.39%	0.049	0.053	-		
NR n41			270	0	Bottom Edge	5	509202	2546.01	19.00	18.72	106.66%	0.043	0.046	-		
NR n41			1	1	Left Edge	5	509202	2546.01	20.00	19.74	106.17%	0.026	0.028	-		
NR n41			135	69	Left Edge	5	509202	2546.01	20.00	19.65	108.39%	0.025	0.027	-		
NR n41			270	0	Left Edge	5	509202	2546.01	19.00	18.72	106.66%	0.019	0.020	-		
NR n41			1	1	Right Edge	5	509202	2546.01	20.00	19.74	106.17%	0.683	0.725	-		
NR n41			1	1	Right Edge	5	518598	2592.99	20.00	19.53	111.43%	0.717	0.799	051		
NR n41			1	1	Right Edge	5	528000	2640	20.00	19.69	107.40%	0.658	0.707	-		
NR n41			135	69	Right Edge	5	509202	2546.01	20.00	19.65	108.39%	0.662	0.718	-		
NR n41			270	0	Right Edge	5	509202	2546.01	19.00	18.72	106.66%	0.584	0.623	-		
NR n41(HPUE)			100MHz	SCS 30kHz QPSK	1	1	Front Surface	5	509202	2546.01	20.00	19.99	100.23%	0.056	0.056	-
NR n41(HPUE)					135	69	Front Surface	5	509202	2546.01	20.00	19.92	101.86%	0.054	0.055	-
NR n41(HPUE)					270	0	Front Surface	5	509202	2546.01	19.00	18.83	103.99%	0.049	0.051	-
NR n41(HPUE)					1	1	Back Surface	5	509202	2546.01	20.00	19.99	100.23%	0.240	0.241	-
NR n41(HPUE)	135	69			Back Surface	5	509202	2546.01	20.00	19.92	101.86%	0.216	0.220	-		
NR n41(HPUE)	270	0			Back Surface	5	509202	2546.01	19.00	18.83	103.99%	0.184	0.191	-		
NR n41(HPUE)	1	1			Top Edge	5	509202	2546.01	20.00	19.99	100.23%	0.049	0.049	-		
NR n41(HPUE)	135	69			Top Edge	5	509202	2546.01	20.00	19.92	101.86%	0.048	0.049	-		
NR n41(HPUE)	270	0			Top Edge	5	509202	2546.01	19.00	18.83	103.99%	0.038	0.040	-		
NR n41(HPUE)	1	1			Bottom Edge	5	509202	2546.01	20.00	19.99	100.23%	0.051	0.051	-		
NR n41(HPUE)	135	69			Bottom Edge	5	509202	2546.01	20.00	19.92	101.86%	0.050	0.051	-		
NR n41(HPUE)	270	0			Bottom Edge	5	509202	2546.01	19.00	18.83	103.99%	0.043	0.044	-		
NR n41(HPUE)	1	1			Left Edge	5	509202	2546.01	20.00	19.99	100.23%	0.027	0.027	-		
NR n41(HPUE)	135	69			Left Edge	5	509202	2546.01	20.00	19.92	101.86%	0.025	0.025	-		
NR n41(HPUE)	270	0			Left Edge	5	509202	2546.01	19.00	18.83	103.99%	0.019	0.020	-		
NR n41(HPUE)	1	1			Right Edge	5	509202	2546.01	20.00	19.99	100.23%	0.680	0.682	-		
NR n41(HPUE)	1	1			Right Edge	5	518598	2592.99	20.00	19.84	103.75%	0.709	0.736	052		
NR n41(HPUE)	1	1			Right Edge	5	528000	2640	20.00	19.79	104.95%	0.652	0.684	-		
NR n41(HPUE)	135	69			Right Edge	5	509202	2546.01	20.00	19.92	101.86%	0.664	0.676	-		
NR n41(HPUE)	270	0			Right Edge	5	509202	2546.01	19.00	18.83	103.99%	0.579	0.602	-		
NR n48	40MHz	SCS 30kHz QPSK			1	1	Front Surface	5	641668	3625	20.00	19.66	108.14%	0.019	0.020	-
NR n48					50	28	Front Surface	5	645333	3679.995	20.00	19.55	110.92%	0.017	0.019	-
NR n48					100	0	Front Surface	5	641668	3625	19.00	18.51	111.94%	0.014	0.015	-
NR n48					1	1	Back Surface	5	641668	3625	20.00	19.66	108.14%	0.173	0.187	-
NR n48			50	28	Back Surface	5	645333	3679.995	20.00	19.55	110.92%	0.104	0.115	-		
NR n48			100	0	Back Surface	5	641668	3625	19.00	18.51	111.94%	0.085	0.095	-		
NR n48			1	1	Top Edge	5	641668	3625	20.00	19.66	108.14%	0.011	0.012	-		
NR n48			50	28	Top Edge	5	645333	3679.995	20.00	19.55	110.92%	0.009	0.010	-		
NR n48			100	0	Top Edge	5	641668	3625	19.00	18.51	111.94%	0.008	0.009	-		
NR n48			1	1	Bottom Edge	5	641668	3625	20.00	19.66	108.14%	0.009	0.010	-		
NR n48			50	28	Bottom Edge	5	645333	3679.995	20.00	19.55	110.92%	0.009	0.010	-		
NR n48			100	0	Bottom Edge	5	641668	3625	19.00	18.51	111.94%	0.008	0.009	-		
NR n48			1	1	Left Edge	5	641668	3625	20.00	19.66	108.14%	0.002	0.002	-		
NR n48			50	28	Left Edge	5	645333	3679.995	20.00	19.55	110.92%	0.002	0.002	-		
NR n48			100	0	Left Edge	5	641668	3625	19.00	18.51	111.94%	0.001	0.001	-		
NR n48			1	1	Right Edge	5	638000	3570	20.00	19.61	109.40%	0.539	0.590	053		
NR n48			1	1	Right Edge	5	641668	3625	20.00	19.66	108.14%	0.396	0.428	-		
NR n48			1	1	Right Edge	5	645333	3679.995	20.00	19.62	109.14%	0.347	0.379	-		
NR n48			50	28	Right Edge	5	645333	3679.995	20.00	19.55	110.92%	0.358	0.397	-		
NR n48			100	0	Right Edge	5	641668	3625	19.00	18.51	111.94%	0.286	0.320	-		
NR n77_FCC_ULMIMO			100MHz	SCS 30kHz CP-OFDM QPSK	1	1	Front Surface	5	662000	3930	15.50	15.34	103.75%	0.009	0.010	-
NR n77_FCC_ULMIMO					135	69	Front Surface	5	662000	3930	15.50	15.16	108.14%	0.009	0.009	-
NR n77_FCC_ULMIMO					270	0	Front Surface	5	662000	3930	14.00	13.67	107.89%	0.007	0.008	-
NR n77_FCC_ULMIMO					1	1	Back Surface	5	662000	3930	15.50	15.34	103.75%	0.072	0.074	-
NR n77_FCC_ULMIMO	135	69			Back Surface	5	662000	3930	15.50	15.16	108.14%	0.068	0.074	-		
NR n77_FCC_ULMIMO	270	0			Back Surface	5	662000	3930	14.00	13.67	107.89%	0.059	0.064	-		
NR n77_FCC_ULMIMO	1	1			Top Edge	5	662000	3930	15.50	15.34	103.75%	0.002	0.002	-		
NR n77_FCC_ULMIMO	135	69			Top Edge	5	662000	3930	15.50	15.16	108.14%	0.002	0.002	-		
NR n77_FCC_ULMIMO	270	0			Top Edge	5	662000	3930	14.00	13.67	107.89%	0.001	0.001	-		
NR n77_FCC_ULMIMO	1	1			Bottom Edge	5	662000	3930	15.50	15.34	103.75%	0.002	0.002	-		
NR n77_FCC_ULMIMO	135	69			Bottom Edge	5	662000	3930	15.50	15.16	108.14%	0.002	0.002	-		
NR n77_FCC_ULMIMO	270	0			Bottom Edge	5	662000	3930	14.00	13.67	107.89%	0.001	0.002	-		
NR n77_FCC_ULMIMO	1	1			Left Edge	5	662000	3930	15.50	15.34	103.75%	0.001	0.001	-		
NR n77_FCC_ULMIMO	135	69			Left Edge	5	662000	3930	15.50	15.16	108.14%	0.001	0.001	-		
NR n77_FCC_ULMIMO	270	0			Left Edge	5	662000	3930	14.00	13.67	107.89%	0.001	0.001	-		
NR n77_FCC_ULMIMO	1	1			Right Edge	5	650000	3750	15.50	15.11	109.40%	0.083	0.090	057		
NR n77_FCC_ULMIMO	1	1			Right Edge	5	653000	3795	15.50	15.16	108.14%	0.077	0.083	-		
NR n77_FCC_ULMIMO	1	1			Right Edge	5	656000	3840	15.50	15.22	106.86%	0.081	0.086	-		
NR n77_FCC_ULMIMO	1	1			Right Edge	5	659000	3885	15.50	15.29	104.95%	0.078	0.082	-		
NR n77_FCC_ULMIMO	1	1			Right Edge	5	662000	3930	15.50	15.34	103.75%	0.082	0.085	-		
NR n77_FCC_ULMIMO	135	69			Right Edge	5	662000	3930	15.50	15.16	108.14%	0.081	0.087	-		
NR n77_FCC_ULMIMO	270	0			Right Edge	5	662000	3930	14.00	13.67	107.89%	0.065	0.070	-		

Unless otherwise stated the results shown in this test report refer only to the sample(s) tested and such sample(s) are retained for 90 days only.

除非另有說明，此報告結果僅對測試之樣品負責，同時此樣品僅保留90天。本報告未經本公司書面許可，不可部份複製。

This document is issued by the Company subject to its General Conditions of Service printed overleaf, available on request or accessible at <http://www.sgs.com.tw/Terms-and-Conditions> and for electronic format documents, subject to Terms and Conditions for Electronic Documents at <http://www.sgs.com.tw/Terms-and-Conditions>. Attention is drawn to the limitation of liability, indemnification and jurisdiction issues defined therein. Any holder of this document is advised that information contained hereon reflects the Company's findings at the time of its intervention only and within the limits of Client's instructions, if any. The Company's sole responsibility is to its Client and this document does not exonerate parties to a transaction from exercising all their rights and obligations under the transaction documents. This document cannot be reproduced except in full, without prior written approval of the Company. Any unauthorized alteration, forgery or falsification of the content or appearance of this document is unlawful and offenders may be prosecuted to the fullest extent of the law.

Sample ID	Frequency (MHz)	Modulation	Power (dBm)	Distance (m)	Surface	Frequency (MHz)	Power (dBm)	Power Density (mW/m²)	Power Density (μW/cm²)	Occupancy (%)	Occupancy (μs)	Occupancy (ms)	Occupancy (s)			
NR n77 & n78 FCC_ULMIMO	100MHz	SCS 30kHz CP-OFDM QPSK	1	1	Front Surface	5	633333	3499.995	15.50	15.34	103.75%	0.009	0.009	-		
NR n77 & n78 FCC_ULMIMO			135	69	Front Surface	5	633333	3499.995	15.50	15.10	109.85%	0.009	0.009	-		
NR n77 & n78 FCC_ULMIMO			270	0	Front Surface	5	633333	3499.995	14.00	13.67	107.89%	0.008	0.008	-		
NR n77 & n78 FCC_ULMIMO			1	1	Back Surface	5	633333	3499.995	15.50	15.34	103.75%	0.069	0.072	-		
NR n77 & n78 FCC_ULMIMO			135	69	Back Surface	5	633333	3499.995	15.50	15.10	109.85%	0.062	0.068	-		
NR n77 & n78 FCC_ULMIMO			270	0	Back Surface	5	633333	3499.995	14.00	13.67	107.89%	0.054	0.058	-		
NR n77 & n78 FCC_ULMIMO			1	1	Top Edge	5	633333	3499.995	15.50	15.34	103.75%	0.002	0.002	-		
NR n77 & n78 FCC_ULMIMO			135	69	Top Edge	5	633333	3499.995	15.50	15.10	109.85%	0.002	0.002	-		
NR n77 & n78 FCC_ULMIMO			270	0	Top Edge	5	633333	3499.995	14.00	13.67	107.89%	0.002	0.002	-		
NR n77 & n78 FCC_ULMIMO			1	1	Bottom Edge	5	633333	3499.995	15.50	15.34	103.75%	0.003	0.003	-		
NR n77 & n78 FCC_ULMIMO			135	69	Bottom Edge	5	633333	3499.995	15.50	15.10	109.85%	0.002	0.002	-		
NR n77 & n78 FCC_ULMIMO			270	0	Bottom Edge	5	633333	3499.995	14.00	13.67	107.89%	0.002	0.002	-		
NR n77 & n78 FCC_ULMIMO			1	1	Left Edge	5	633333	3499.995	15.50	15.34	103.75%	0.001	0.001	-		
NR n77 & n78 FCC_ULMIMO			135	69	Left Edge	5	633333	3499.995	15.50	15.10	109.85%	0.001	0.001	-		
NR n77 & n78 FCC_ULMIMO			270	0	Left Edge	5	633333	3499.995	14.00	13.67	107.89%	0.001	0.001	-		
NR n77 & n78 FCC_ULMIMO			1	1	Right Edge	5	633333	3499.995	15.50	15.34	103.75%	0.086	0.089	055		
NR n77 & n78 FCC_ULMIMO			135	69	Right Edge	5	633333	3499.995	15.50	15.10	109.85%	0.082	0.090	-		
NR n77 & n78 FCC_ULMIMO			270	0	Right Edge	5	633333	3499.995	14.00	13.67	107.89%	0.073	0.078	-		
NR n78 FCC_ULMIMO			100MHz	SCS 30kHz CP-OFDM QPSK	1	1	Front Surface	5	650000	3750	15.50	15.41	102.09%	0.009	0.009	-
NR n78 FCC_ULMIMO					135	69	Front Surface	5	650000	3750	15.50	15.13	108.89%	0.008	0.009	-
NR n78 FCC_ULMIMO					270	0	Front Surface	5	650000	3750	14.00	13.81	104.47%	0.007	0.008	-
NR n78 FCC_ULMIMO					1	1	Back Surface	5	650000	3750	15.50	15.41	102.09%	0.051	0.052	-
NR n78 FCC_ULMIMO					135	69	Back Surface	5	650000	3750	15.50	15.13	108.89%	0.049	0.053	-
NR n78 FCC_ULMIMO					270	0	Back Surface	5	650000	3750	14.00	13.67	107.89%	0.042	0.045	-
NR n78 FCC_ULMIMO	1	1			Top Edge	5	650000	3750	15.50	15.41	102.09%	0.024	0.024	-		
NR n78 FCC_ULMIMO	135	69			Top Edge	5	650000	3750	15.50	15.13	108.89%	0.022	0.024	-		
NR n78 FCC_ULMIMO	270	0			Top Edge	5	650000	3750	14.00	13.67	107.89%	0.018	0.020	-		
NR n78 FCC_ULMIMO	1	1			Bottom Edge	5	650000	3750	15.50	15.41	102.09%	0.025	0.025	-		
NR n78 FCC_ULMIMO	135	69			Bottom Edge	5	650000	3750	15.50	15.13	108.89%	0.022	0.024	-		
NR n78 FCC_ULMIMO	270	0			Bottom Edge	5	650000	3750	14.00	13.67	107.89%	0.019	0.021	-		
NR n78 FCC_ULMIMO	1	1			Left Edge	5	650000	3750	15.50	15.41	102.09%	0.002	0.002	-		
NR n78 FCC_ULMIMO	135	69			Left Edge	5	650000	3750	15.50	15.13	108.89%	0.002	0.002	-		
NR n78 FCC_ULMIMO	270	0			Left Edge	5	650000	3750	14.00	13.67	107.89%	0.001	0.001	-		
NR n78 FCC_ULMIMO	1	1			Right Edge	5	650000	3750	15.50	15.41	102.09%	0.083	0.085	057		
NR n78 FCC_ULMIMO	135	69			Right Edge	5	650000	3750	15.50	15.13	108.89%	0.077	0.084	-		
NR n78 FCC_ULMIMO	270	0			Right Edge	5	650000	3750	14.00	13.67	107.89%	0.065	0.070	-		

Repeat " * "

* - repeated at the highest SAR measurement according to the KDB 865664 D01

* - Worst Spot check

Unless otherwise stated the results shown in this test report refer only to the sample(s) tested and such sample(s) are retained for 90 days only.

除非另有說明，此報告結果僅對測試之樣品負責，同時此樣品僅保留90天。本報告未經本公司書面許可，不可部份複製。

This document is issued by the Company subject to its General Conditions of Service printed overleaf, available on request or accessible at <http://www.sgs.com.tw/Terms-and-Conditions> and for electronic format documents, subject to Terms and Conditions for Electronic Documents at <http://www.sgs.com.tw/Terms-and-Conditions>. Attention is drawn to the limitation of liability, indemnification and jurisdiction issues defined therein. Any holder of this document is advised that information contained hereon reflects the Company's findings at the time of its intervention only and within the limits of Client's instructions, if any. The Company's sole responsibility is to its Client and this document does not exonerate parties to a transaction from exercising all their rights and obligations under the transaction documents. This document cannot be reproduced except in full, without prior written approval of the Company. Any unauthorized alteration, forgery or falsification of the content or appearance of this document is unlawful and offenders may be prosecuted to the fullest extent of the law.

Mode	Antenna	Position	Distance (mm)	Channel	Freq. (MHz)	Max. Rated Avg. Power + Max. Tolerance (dBm)	Measured Avg. Power (dBm)	Duty cycle scaling	Power scaling	Averaged SAR over 1g (W/kg)		ID
										Measured	Reported	
WLAN 802.11b	Ant 1	Front Surface	5	6	2437	20.50	20.03	1.01	111.43%	0.097	0.108	-
WLAN 802.11b	Ant 1	Back Surface	5	6	2437	20.50	20.03	1.01	111.43%	0.181	0.203	-
WLAN 802.11b	Ant 1	Top Edge	5	6	2437	20.50	20.03	1.01	111.43%	0.067	0.075	-
WLAN 802.11b	Ant 1	Bottom Edge	5	6	2437	20.50	20.03	1.01	111.43%	0.024	0.027	-
WLAN 802.11b	Ant 1	Left Edge	5	6	2437	20.50	20.03	1.01	111.43%	0.010	0.012	-
WLAN 802.11b	Ant 1	Right Edge	5	1	2412	20.50	19.96	1.01	113.24%	0.580	0.660	058
WLAN 802.11b	Ant 1	Right Edge	5	6	2437	20.50	20.03	1.01	111.43%	0.540	0.605	-
WLAN 802.11b	Ant 1	Right Edge	5	11	2462	20.50	19.97	1.01	112.98%	0.449	0.510	-
WLAN 802.11b*	Ant 1	Right Edge	5	1	2412	20.50	19.96	1.01	113.24%	0.443	0.504	059
Mode	Antenna	Position	Distance (mm)	Channel	Freq. (MHz)	Max. Rated Avg. Power + Max. Tolerance (dBm)	Measured Avg. Power (dBm)	Duty cycle scaling	Power scaling	Averaged SAR over 1g (W/kg)		ID
										Measured	Reported	
Bluetooth(GFSK)	Ant 1	Front Surface	5	78	2480	7.50	7.02	1.30	111.69%	0.014	0.020	-
Bluetooth(GFSK)	Ant 1	Back Surface	5	78	2480	7.50	7.02	1.30	111.69%	0.018	0.026	-
Bluetooth(GFSK)	Ant 1	Top Edge	5	78	2480	7.50	7.02	1.30	111.69%	0.006	0.009	-
Bluetooth(GFSK)	Ant 1	Bottom Edge	5	78	2480	7.50	7.02	1.30	111.69%	0.002	0.003	-
Bluetooth(GFSK)	Ant 1	Left Edge	5	78	2480	7.50	7.02	1.30	111.69%	0.001	0.001	-
Bluetooth(GFSK)	Ant 1	Right Edge	5	0	2402	7.50	6.41	1.30	128.53%	0.048	0.081	060
Bluetooth(GFSK)	Ant 1	Right Edge	5	39	2441	7.50	6.84	1.30	116.41%	0.035	0.053	-
Bluetooth(GFSK)	Ant 1	Right Edge	5	78	2480	7.50	7.02	1.30	111.69%	0.022	0.032	-
Mode	Antenna	Position	Distance (mm)	Channel	Freq. (MHz)	Max. Rated Avg. Power + Max. Tolerance (dBm)	Measured Avg. Power (dBm)	Duty cycle scaling	Power scaling	Averaged SAR over 1g (W/kg)		ID
										Measured	Reported	
WLAN 802.11n(40M) 5.2G	Ant 1	Front Surface	5	46	5230	19.00	18.27	1.07	118.30%	0.013	0.016	-
WLAN 802.11n(40M) 5.2G	Ant 1	Back Surface	5	46	5230	19.00	18.27	1.07	118.30%	0.130	0.164	-
WLAN 802.11n(40M) 5.2G	Ant 1	Top Edge	5	46	5230	19.00	18.27	1.07	118.30%	0.023	0.030	-
WLAN 802.11n(40M) 5.2G	Ant 1	Bottom Edge	5	46	5230	19.00	18.27	1.07	118.30%	0.025	0.031	-
WLAN 802.11n(40M) 5.2G	Ant 1	Left Edge	5	46	5230	19.00	18.27	1.07	118.30%	0.015	0.019	-
WLAN 802.11n(40M) 5.2G	Ant 1	Right Edge	5	38	5190	16.00	15.90	1.07	102.33%	0.104	0.114	-
WLAN 802.11n(40M) 5.2G	Ant 1	Right Edge	5	46	5230	19.00	18.27	1.07	118.30%	0.159	0.201	061
Mode	Antenna	Position	Distance (mm)	Channel	Freq. (MHz)	Max. Rated Avg. Power + Max. Tolerance (dBm)	Measured Avg. Power (dBm)	Duty cycle scaling	Power scaling	Averaged SAR over 1g (W/kg)		ID
										Measured	Reported	
WLAN 802.11ac(80M) 5.8G	Ant 1	Front Surface	5	155	5775	19.50	19.20	1.14	107.15%	0.086	0.104	-
WLAN 802.11ac(80M) 5.8G	Ant 1	Back Surface	5	155	5775	19.50	19.20	1.14	107.15%	0.313	0.381	-
WLAN 802.11ac(80M) 5.8G	Ant 1	Top Edge	5	155	5775	19.50	19.20	1.14	107.15%	0.045	0.055	-
WLAN 802.11ac(80M) 5.8G	Ant 1	Bottom Edge	5	155	5775	19.50	19.20	1.14	107.15%	0.010	0.012	-
WLAN 802.11ac(80M) 5.8G	Ant 1	Left Edge	5	155	5775	19.50	19.20	1.14	107.15%	0.014	0.017	-
WLAN 802.11ac(80M) 5.8G	Ant 1	Right Edge	5	155	5775	19.50	19.20	1.14	107.15%	0.522	0.635	062

*spot check for WWAN SKU

Note:

Reported SAR = measured SAR * Power scaling * Duty cycle scaling

7.3 Reporting statements of conformity

The conformity statement in this report is based solely on the test results, measurement uncertainty is excluded.

7.4 Conclusion

The device is compliant because all the standalone results are less than their corresponding criteria.

Unless otherwise stated the results shown in this test report refer only to the sample(s) tested and such sample(s) are retained for 90 days only.

除非另有說明，此報告結果僅對測試之樣品負責，同時此樣品僅保留90天。本報告未經本公司書面許可，不可部份複製。

This document is issued by the Company subject to its General Conditions of Service printed overleaf, available on request or accessible at <http://www.sgs.com.tw/Terms-and-Conditions> and for electronic format documents, subject to Terms and Conditions for Electronic Documents at <http://www.sgs.com.tw/Terms-and-Conditions>. Attention is drawn to the limitation of liability, indemnification and jurisdiction issues defined therein. Any holder of this document is advised that information contained hereon reflects the Company's findings at the time of its intervention only and within the limits of Client's instructions, if any. The Company's sole responsibility is to its Client and this document does not exonerate parties to a transaction from exercising all their rights and obligations under the transaction documents. This document cannot be reproduced except in full, without prior written approval of the Company. Any unauthorized alteration, forgery or falsification of the content or appearance of this document is unlawful and offenders may be prosecuted to the fullest extent of the law.

8 SIMULTANEOUS TRANSMISSION ANALYSIS

8.1 Simultaneous Transmission Scenarios:

Simultaneous Transmit Configurations	Body
WWAN Inter Band CA + NFC	Yes
WWAN NR Uplink MIMO + NFC	Yes
WLAN 2.4GHz + NFC	Yes
Bluetooth + NFC	Yes
WLAN 5GHz + NFC	Yes

Unless otherwise stated the results shown in this test report refer only to the sample(s) tested and such sample(s) are retained for 90 days only.

除非另有說明，此報告結果僅對測試之樣品負責，同時此樣品僅保留90天。本報告未經本公司書面許可，不可部份複製。

This document is issued by the Company subject to its General Conditions of Service printed overleaf, available on request or accessible at <http://www.sgs.com.tw/Terms-and-Conditions> and for electronic format documents, subject to Terms and Conditions for Electronic Documents at <http://www.sgs.com.tw/Terms-and-Conditions>. Attention is drawn to the limitation of liability, indemnification and jurisdiction issues defined therein. Any holder of this document is advised that information contained hereon reflects the Company's findings at the time of its intervention only and within the limits of Client's instructions, if any. The Company's sole responsibility is to its Client and this document does not exonerate parties to a transaction from exercising all their rights and obligations under the transaction documents. This document cannot be reproduced except in full, without prior written approval of the Company. Any unauthorized alteration, forgery or falsification of the content or appearance of this document is unlawful and offenders may be prosecuted to the fullest extent of the law.

8.2 Estimated SAR calculation

According to KDB447498 D01v06 – When standalone SAR test exclusion applies to an antenna that transmits simultaneously with other antennas, the standalone SAR must be estimated according to following to determine simultaneous transmission SAR test exclusion:

$$\text{Estimated SAR} = \frac{\text{Max. tune up power (mW)}}{\text{Min. test separation distance(mm)}} \times \frac{\sqrt{f(\text{GHz})}}{7.5}$$

If the minimum test separation distance is < 5mm, a distance of 5mm is used for estimated SAR calculation. When the test separation distance is >50mm, the 0.4W/kg is used for SAR-1g.

8.3 SPLSR evaluation and analysis

Per KDB447498D01, when the sum of SAR is larger than the limit, SAR test exclusion is determined by the SAR sum to peak location separation ratio(SPLSR).

The simultaneous transmitting antennas in each operating mode and exposure condition combination must be considered one pair at a time to determine the SAR to peak location separation ratio to qualify for test exclusion.

The ratio is determined by $(\text{SAR1} + \text{SAR2})^{1.5}/R_i$, rounded to two decimal digits, and must be ≤ 0.04 for all antenna pairs in the configuration to qualify for 1-g SAR test exclusion.

SAR1 and SAR2 are the highest reported or estimated SAR for each antenna in the pair, and R_i is the separation distance between the peak SAR locations for the antenna pair in mm.

When standalone test exclusion applies, SAR is estimated; the peak location is assumed to be at the feed-point or geometric center of the antenna.

Simultaneous Transmission Combination

Unless otherwise stated the results shown in this test report refer only to the sample(s) tested and such sample(s) are retained for 90 days only.
 除非另有說明，此報告結果僅對測試之樣品負責，同時此樣品僅保留90天。本報告未經本公司書面許可，不可部份複製。

This document is issued by the Company subject to its General Conditions of Service printed overleaf, available on request or accessible at <http://www.sgs.com.tw/Terms-and-Conditions> and for electronic format documents, subject to Terms and Conditions for Electronic Documents at <http://www.sgs.com.tw/Terms-and-Conditions>. Attention is drawn to the limitation of liability, indemnification and jurisdiction issues defined therein. Any holder of this document is advised that information contained hereon reflects the Company's findings at the time of its intervention only and within the limits of Client's instructions, if any. The Company's sole responsibility is to its Client and this document does not exonerate parties to a transaction from exercising all their rights and obligations under the transaction documents. This document cannot be reproduced except in full, without prior written approval of the Company. Any unauthorized alteration, forgery or falsification of the content or appearance of this document is unlawful and offenders may be prosecuted to the fullest extent of the law.

WWAN (Ant0 +Ant3)	Exposure position 10g(W/kg)	0	1	2	0+1+2 Sum
		WWAN Ant0	WWAN Ant3	NFC	
LTE B2 + LTE B12	Front Surface_5mm	0.166	0.126	0.000000000221	0.292
LTE B2 + LTE B12	Back Surface_5mm	0.351	0.232	0.000000000221	0.583
LTE B2 + LTE B12	Top Edge_5mm	0.638	0.096	0.000000000221	0.734
LTE B2 + LTE B12	Bottom Edge_5mm	0.025	0.099	0.000000000221	0.124
LTE B2 + LTE B12	Left Edge_5mm	0.061	0.073	0.000000000221	0.134
LTE B2 + LTE B12	Right Edge_5mm	0.235	0.478	0.000000000221	0.713
LTE B2 + LTE B13	Front Surface_5mm	0.166	0.136	0.000000000221	0.302
LTE B2 + LTE B13	Back Surface_5mm	0.351	0.263	0.000000000221	0.614
LTE B2 + LTE B13	Top Edge_5mm	0.638	0.105	0.000000000221	0.743
LTE B2 + LTE B13	Bottom Edge_5mm	0.025	0.114	0.000000000221	0.139
LTE B2 + LTE B13	Left Edge_5mm	0.061	0.074	0.000000000221	0.135
LTE B2 + LTE B13	Right Edge_5mm	0.235	0.465	0.000000000221	0.700
LTE B2 + LTE B14	Front Surface_5mm	0.166	0.123	0.000000000221	0.289
LTE B2 + LTE B14	Back Surface_5mm	0.351	0.227	0.000000000221	0.578
LTE B2 + LTE B14	Top Edge_5mm	0.638	0.097	0.000000000221	0.735
LTE B2 + LTE B14	Bottom Edge_5mm	0.025	0.106	0.000000000221	0.131
LTE B2 + LTE B14	Left Edge_5mm	0.061	0.069	0.000000000221	0.130
LTE B2 + LTE B14	Right Edge_5mm	0.235	0.409	0.000000000221	0.644

Unless otherwise stated the results shown in this test report refer only to the sample(s) tested and such sample(s) are retained for 90 days only.

除非另有說明，此報告結果僅對測試之樣品負責，同時此樣品僅保留90天。本報告未經本公司書面許可，不可部份複製。

This document is issued by the Company subject to its General Conditions of Service printed overleaf, available on request or accessible at <http://www.sgs.com.tw/Terms-and-Conditions> and for electronic format documents, subject to Terms and Conditions for Electronic Documents at <http://www.sgs.com.tw/Terms-and-Conditions>. Attention is drawn to the limitation of liability, indemnification and jurisdiction issues defined therein. Any holder of this document is advised that information contained hereon reflects the Company's findings at the time of its intervention only and within the limits of Client's instructions, if any. The Company's sole responsibility is to its Client and this document does not exonerate parties to a transaction from exercising all their rights and obligations under the transaction documents. This document cannot be reproduced except in full, without prior written approval of the Company. Any unauthorized alteration, forgery or falsification of the content or appearance of this document is unlawful and offenders may be prosecuted to the fullest extent of the law.

LTE B2 + LTE B17	Front Surface_5mm	0.166	0.131	0.000000000221	0.297
LTE B2 + LTE B17	Back Surface_5mm	0.351	0.245	0.000000000221	0.596
LTE B2 + LTE B17	Top Edge_5mm	0.638	0.098	0.000000000221	0.736
LTE B2 + LTE B17	Bottom Edge_5mm	0.025	0.100	0.000000000221	0.125
LTE B2 + LTE B17	Left Edge_5mm	0.061	0.075	0.000000000221	0.136
LTE B2 + LTE B17	Right Edge_5mm	0.235	0.525	0.000000000221	0.760
LTE B2 + LTE B30	Front Surface_5mm	0.166	0.075	0.000000000221	0.241
LTE B2 + LTE B30	Back Surface_5mm	0.351	0.347	0.000000000221	0.698
LTE B2 + LTE B30	Top Edge_5mm	0.638	0.071	0.000000000221	0.709
LTE B2 + LTE B30	Bottom Edge_5mm	0.025	0.073	0.000000000221	0.098
LTE B2 + LTE B30	Left Edge_5mm	0.061	0.054	0.000000000221	0.115
LTE B2 + LTE B30	Right Edge_5mm	0.235	0.725	0.000000000221	0.960
LTE B2 + LTE B4	Front Surface_5mm	0.166	0.148	0.000000000221	0.314

Unless otherwise stated the results shown in this test report refer only to the sample(s) tested and such sample(s) are retained for 90 days only.

除非另有說明，此報告結果僅對測試之樣品負責，同時此樣品僅保留90天。本報告未經本公司書面許可，不可部份複製。

This document is issued by the Company subject to its General Conditions of Service printed overleaf, available on request or accessible at <http://www.sgs.com.tw/Terms-and-Conditions> and for electronic format documents, subject to Terms and Conditions for Electronic Documents at <http://www.sgs.com.tw/Terms-and-Conditions>. Attention is drawn to the limitation of liability, indemnification and jurisdiction issues defined therein. Any holder of this document is advised that information contained hereon reflects the Company's findings at the time of its intervention only and within the limits of Client's instructions, if any. The Company's sole responsibility is to its Client and this document does not exonerate parties to a transaction from exercising all their rights and obligations under the transaction documents. This document cannot be reproduced except in full, without prior written approval of the Company. Any unauthorized alteration, forgery or falsification of the content or appearance of this document is unlawful and offenders may be prosecuted to the fullest extent of the law.

LTE B2 + LTE B4	Back Surface_5mm	0.351	0.273	0.000000000221	0.624
LTE B2 + LTE B4	Top Edge_5mm	0.638	0.125	0.000000000221	0.763
LTE B2 + LTE B4	Bottom Edge_5mm	0.025	0.132	0.000000000221	0.157
LTE B2 + LTE B4	Left Edge_5mm	0.061	0.084	0.000000000221	0.145
LTE B2 + LTE B4	Right Edge_5mm	0.235	0.531	0.000000000221	0.766
LTE B2 + LTE B5	Front Surface_5mm	0.166	0.162	0.000000000221	0.328
LTE B2 + LTE B5	Back Surface_5mm	0.351	0.315	0.000000000221	0.666
LTE B2 + LTE B5	Top Edge_5mm	0.638	0.133	0.000000000221	0.771
LTE B2 + LTE B5	Bottom Edge_5mm	0.025	0.141	0.000000000221	0.166
LTE B2 + LTE B5	Left Edge_5mm	0.061	0.111	0.000000000221	0.172
LTE B2 + LTE B5	Right Edge_5mm	0.235	0.480	0.000000000221	0.715
LTE B2 + LTE B66	Front Surface_5mm	0.166	0.152	0.000000000221	0.318
LTE B2 + LTE B66	Back Surface_5mm	0.351	0.282	0.000000000221	0.633
LTE B2 + LTE B66	Top Edge_5mm	0.638	0.137	0.000000000221	0.775
LTE B2 + LTE B66	Bottom Edge_5mm	0.025	0.141	0.000000000221	0.166
LTE B2 + LTE B66	Left Edge_5mm	0.061	0.101	0.000000000221	0.162
LTE B2 + LTE B66	Right Edge_5mm	0.235	0.475	0.000000000221	0.710

Unless otherwise stated the results shown in this test report refer only to the sample(s) tested and such sample(s) are retained for 90 days only.

除非另有說明，此報告結果僅對測試之樣品負責，同時此樣品僅保留90天。本報告未經本公司書面許可，不可部份複製。

This document is issued by the Company subject to its General Conditions of Service printed overleaf, available on request or accessible at <http://www.sgs.com.tw/Terms-and-Conditions> and for electronic format documents, subject to Terms and Conditions for Electronic Documents at <http://www.sgs.com.tw/Terms-and-Conditions>. Attention is drawn to the limitation of liability, indemnification and jurisdiction issues defined therein. Any holder of this document is advised that information contained hereon reflects the Company's findings at the time of its intervention only and within the limits of Client's instructions, if any. The Company's sole responsibility is to its Client and this document does not exonerate parties to a transaction from exercising all their rights and obligations under the transaction documents. This document cannot be reproduced except in full, without prior written approval of the Company. Any unauthorized alteration, forgery or falsification of the content or appearance of this document is unlawful and offenders may be prosecuted to the fullest extent of the law.

LTE B2 + LTE B71	Front Surface_5mm	0.166	0.113	0.000000000221	0.279
LTE B2 + LTE B71	Back Surface_5mm	0.351	0.243	0.000000000221	0.594
LTE B2 + LTE B71	Top Edge_5mm	0.638	0.093	0.000000000221	0.731
LTE B2 + LTE B71	Bottom Edge_5mm	0.025	0.103	0.000000000221	0.128
LTE B2 + LTE B71	Left Edge_5mm	0.061	0.058	0.000000000221	0.119
LTE B2 + LTE B71	Right Edge_5mm	0.235	0.449	0.000000000221	0.684
LTE B2 + LTE B7	Front Surface_5mm	0.166	0.303	0.000000000221	0.469
LTE B2 + LTE B7	Back Surface_5mm	0.351	0.649	0.000000000221	1.000
LTE B2 + LTE B7	Top Edge_5mm	0.638	0.265	0.000000000221	0.903
LTE B2 + LTE B7	Bottom Edge_5mm	0.025	0.270	0.000000000221	0.295
LTE B2 + LTE B7	Left Edge_5mm	0.061	0.133	0.000000000221	0.194
LTE B2 + LTE B7	Right Edge_5mm	0.235	0.875	0.000000000221	1.110
LTE B2 + LTE B26	Front Surface_5mm	0.166	0.170	0.000000000221	0.336
LTE B2 + LTE B26	Back Surface_5mm	0.351	0.303	0.000000000221	0.654
LTE B2 + LTE B26	Top Edge_5mm	0.638	0.138	0.000000000221	0.776
LTE B2 + LTE B26	Bottom Edge_5mm	0.025	0.144	0.000000000221	0.169
LTE B2 + LTE B26	Left Edge_5mm	0.061	0.109	0.000000000221	0.170
LTE B2 + LTE B26	Right Edge_5mm	0.235	0.505	0.000000000221	0.740

Unless otherwise stated the results shown in this test report refer only to the sample(s) tested and such sample(s) are retained for 90 days only.

除非另有說明，此報告結果僅對測試之樣品負責，同時此樣品僅保留90天。本報告未經本公司書面許可，不可部份複製。

This document is issued by the Company subject to its General Conditions of Service printed overleaf, available on request or accessible at <http://www.sgs.com.tw/Terms-and-Conditions> and for electronic format documents, subject to Terms and Conditions for Electronic Documents at <http://www.sgs.com.tw/Terms-and-Conditions>. Attention is drawn to the limitation of liability, indemnification and jurisdiction issues defined therein. Any holder of this document is advised that information contained hereon reflects the Company's findings at the time of its intervention only and within the limits of Client's instructions, if any. The Company's sole responsibility is to its Client and this document does not exonerate parties to a transaction from exercising all their rights and obligations under the transaction documents. This document cannot be reproduced except in full, without prior written approval of the Company. Any unauthorized alteration, forgery or falsification of the content or appearance of this document is unlawful and offenders may be prosecuted to the fullest extent of the law.

LTE B4 + LTE B12	Front Surface_5mm	0.221	0.126	0.000000000221	0.347
LTE B4 + LTE B12	Back Surface_5mm	0.494	0.232	0.000000000221	0.726
LTE B4 + LTE B12	Top Edge_5mm	0.478	0.096	0.000000000221	0.574
LTE B4 + LTE B12	Bottom Edge_5mm	0.028	0.099	0.000000000221	0.127
LTE B4 + LTE B12	Left Edge_5mm	0.049	0.073	0.000000000221	0.122
LTE B4 + LTE B12	Right Edge_5mm	0.319	0.478	0.000000000221	0.797
LTE B4 + LTE B13	Front Surface_5mm	0.221	0.136	0.000000000221	0.357
LTE B4 + LTE B13	Back Surface_5mm	0.494	0.263	0.000000000221	0.757
LTE B4 + LTE B13	Top Edge_5mm	0.478	0.105	0.000000000221	0.583
LTE B4 + LTE B13	Bottom Edge_5mm	0.028	0.114	0.000000000221	0.142
LTE B4 + LTE B13	Left Edge_5mm	0.049	0.074	0.000000000221	0.123
LTE B4 + LTE B13	Right Edge_5mm	0.319	0.465	0.000000000221	0.784
LTE B4 + LTE B17	Front Surface_5mm	0.221	0.131	0.000000000221	0.352
LTE B4 + LTE B17	Back Surface_5mm	0.494	0.245	0.000000000221	0.739
LTE B4 + LTE B17	Top Edge_5mm	0.478	0.098	0.000000000221	0.576
LTE B4 + LTE B17	Bottom Edge_5mm	0.028	0.100	0.000000000221	0.128
LTE B4 + LTE B17	Left Edge_5mm	0.049	0.075	0.000000000221	0.124
LTE B4 + LTE B17	Right Edge_5mm	0.319	0.525	0.000000000221	0.844

Unless otherwise stated the results shown in this test report refer only to the sample(s) tested and such sample(s) are retained for 90 days only.

除非另有說明，此報告結果僅對測試之樣品負責，同時此樣品僅保留90天。本報告未經本公司書面許可，不可部份複製。

This document is issued by the Company subject to its General Conditions of Service printed overleaf, available on request or accessible at <http://www.sgs.com.tw/Terms-and-Conditions> and for electronic format documents, subject to Terms and Conditions for Electronic Documents at <http://www.sgs.com.tw/Terms-and-Conditions>. Attention is drawn to the limitation of liability, indemnification and jurisdiction issues defined therein. Any holder of this document is advised that information contained hereon reflects the Company's findings at the time of its intervention only and within the limits of Client's instructions, if any. The Company's sole responsibility is to its Client and this document does not exonerate parties to a transaction from exercising all their rights and obligations under the transaction documents. This document cannot be reproduced except in full, without prior written approval of the Company. Any unauthorized alteration, forgery or falsification of the content or appearance of this document is unlawful and offenders may be prosecuted to the fullest extent of the law.

LTE B4 + LTE B30	Front Surface_5mm	0.221	0.075	0.000000000221	0.296
LTE B4 + LTE B30	Back Surface_5mm	0.494	0.347	0.000000000221	0.841
LTE B4 + LTE B30	Top Edge_5mm	0.478	0.071	0.000000000221	0.549
LTE B4 + LTE B30	Bottom Edge_5mm	0.028	0.073	0.000000000221	0.101
LTE B4 + LTE B30	Left Edge_5mm	0.049	0.054	0.000000000221	0.103
LTE B4 + LTE B30	Right Edge_5mm	0.319	0.725	0.000000000221	1.044
LTE B4 + LTE B5	Front Surface_5mm	0.221	0.162	0.000000000221	0.383
LTE B4 + LTE B5	Back Surface_5mm	0.494	0.315	0.000000000221	0.809
LTE B4 + LTE B5	Top Edge_5mm	0.478	0.133	0.000000000221	0.611
LTE B4 + LTE B5	Bottom Edge_5mm	0.028	0.141	0.000000000221	0.169
LTE B4 + LTE B5	Left Edge_5mm	0.049	0.111	0.000000000221	0.160
LTE B4 + LTE B5	Right Edge_5mm	0.319	0.480	0.000000000221	0.799
LTE B4 + LTE B71	Front Surface_5mm	0.221	0.113	0.000000000221	0.334
LTE B4 + LTE B71	Back Surface_5mm	0.494	0.243	0.000000000221	0.737
LTE B4 + LTE B71	Top Edge_5mm	0.478	0.093	0.000000000221	0.571
LTE B4 + LTE B71	Bottom Edge_5mm	0.028	0.103	0.000000000221	0.131
LTE B4 + LTE B71	Left Edge_5mm	0.049	0.058	0.000000000221	0.107

Unless otherwise stated the results shown in this test report refer only to the sample(s) tested and such sample(s) are retained for 90 days only.

除非另有說明，此報告結果僅對測試之樣品負責，同時此樣品僅保留90天。本報告未經本公司書面許可，不可部份複製。

This document is issued by the Company subject to its General Conditions of Service printed overleaf, available on request or accessible at <http://www.sgs.com.tw/Terms-and-Conditions> and for electronic format documents, subject to Terms and Conditions for Electronic Documents at <http://www.sgs.com.tw/Terms-and-Conditions>. Attention is drawn to the limitation of liability, indemnification and jurisdiction issues defined therein. Any holder of this document is advised that information contained hereon reflects the Company's findings at the time of its intervention only and within the limits of Client's instructions, if any. The Company's sole responsibility is to its Client and this document does not exonerate parties to a transaction from exercising all their rights and obligations under the transaction documents. This document cannot be reproduced except in full, without prior written approval of the Company. Any unauthorized alteration, forgery or falsification of the content or appearance of this document is unlawful and offenders may be prosecuted to the fullest extent of the law.

SGS Taiwan Ltd. No.134,Wu Kung Road, New Taipei Industrial Park, Wuku District, New Taipei City, Taiwan/新北市五股區新北產業園區五工路 134 號

LTE B4 + LTE B71	Right Edge_5mm	0.319	0.449	0.000000000221	0.768
LTE B4 + LTE B7	Front Surface_5mm	0.221	0.303	0.000000000221	0.524
LTE B4 + LTE B7	Back Surface_5mm	0.494	0.649	0.000000000221	1.143
LTE B4 + LTE B7	Top Edge_5mm	0.478	0.265	0.000000000221	0.743
LTE B4 + LTE B7	Bottom Edge_5mm	0.028	0.270	0.000000000221	0.298
LTE B4 + LTE B7	Left Edge_5mm	0.049	0.133	0.000000000221	0.182
LTE B4 + LTE B7	Right Edge_5mm	0.319	0.875	0.000000000221	1.194
LTE B5 + LTE B12	Front Surface_5mm	0.114	0.126	0.000000000221	0.240
LTE B5 + LTE B12	Back Surface_5mm	0.364	0.232	0.000000000221	0.596
LTE B5 + LTE B12	Top Edge_5mm	0.108	0.096	0.000000000221	0.204
LTE B5 + LTE B12	Bottom Edge_5mm	0.009	0.099	0.000000000221	0.108
LTE B5 + LTE B12	Left Edge_5mm	0.023	0.073	0.000000000221	0.096
LTE B5 + LTE B12	Right Edge_5mm	0.077	0.478	0.000000000221	0.555
LTE B5 + LTE B13	Front Surface_5mm	0.114	0.136	0.000000000221	0.250
LTE B5 + LTE B13	Back Surface_5mm	0.364	0.263	0.000000000221	0.627
LTE B5 + LTE B13	Top Edge_5mm	0.108	0.105	0.000000000221	0.213
LTE B5 + LTE B13	Bottom Edge_5mm	0.009	0.114	0.000000000221	0.123
LTE B5 + LTE B13	Left Edge_5mm	0.023	0.074	0.000000000221	0.097
LTE B5 + LTE B13	Right Edge_5mm	0.077	0.465	0.000000000221	0.542

Unless otherwise stated the results shown in this test report refer only to the sample(s) tested and such sample(s) are retained for 90 days only.

除非另有說明，此報告結果僅對測試之樣品負責，同時此樣品僅保留90天。本報告未經本公司書面許可，不可部份複製。

This document is issued by the Company subject to its General Conditions of Service printed overleaf, available on request or accessible at <http://www.sgs.com.tw/Terms-and-Conditions> and for electronic format documents, subject to Terms and Conditions for Electronic Documents at <http://www.sgs.com.tw/Terms-and-Conditions>. Attention is drawn to the limitation of liability, indemnification and jurisdiction issues defined therein. Any holder of this document is advised that information contained hereon reflects the Company's findings at the time of its intervention only and within the limits of Client's instructions, if any. The Company's sole responsibility is to its Client and this document does not exonerate parties to a transaction from exercising all their rights and obligations under the transaction documents. This document cannot be reproduced except in full, without prior written approval of the Company. Any unauthorized alteration, forgery or falsification of the content or appearance of this document is unlawful and offenders may be prosecuted to the fullest extent of the law.

LTE B5 + LTE B25	Front Surface_5mm	0.114	0.229	0.000000000221	0.343
LTE B5 + LTE B25	Back Surface_5mm	0.364	0.360	0.000000000221	0.724
LTE B5 + LTE B25	Top Edge_5mm	0.108	0.195	0.000000000221	0.303
LTE B5 + LTE B25	Bottom Edge_5mm	0.009	0.203	0.000000000221	0.212
LTE B5 + LTE B25	Left Edge_5mm	0.023	0.139	0.000000000221	0.162
LTE B5 + LTE B25	Right Edge_5mm	0.077	0.659	0.000000000221	0.736
LTE B5 + LTE B30	Front Surface_5mm	0.114	0.075	0.000000000221	0.189
LTE B5 + LTE B30	Back Surface_5mm	0.364	0.347	0.000000000221	0.711
LTE B5 + LTE B30	Top Edge_5mm	0.108	0.071	0.000000000221	0.179
LTE B5 + LTE B30	Bottom Edge_5mm	0.009	0.073	0.000000000221	0.082
LTE B5 + LTE B30	Left Edge_5mm	0.023	0.054	0.000000000221	0.077
LTE B5 + LTE B30	Right Edge_5mm	0.077	0.725	0.000000000221	0.802
LTE B5 + LTE B66	Front Surface_5mm	0.114	0.152	0.000000000221	0.266
LTE B5 + LTE B66	Back Surface_5mm	0.364	0.282	0.000000000221	0.646
LTE B5 + LTE B66	Top Edge_5mm	0.108	0.137	0.000000000221	0.245
LTE B5 + LTE B66	Bottom Edge_5mm	0.009	0.141	0.000000000221	0.150

Unless otherwise stated the results shown in this test report refer only to the sample(s) tested and such sample(s) are retained for 90 days only.

除非另有說明，此報告結果僅對測試之樣品負責，同時此樣品僅保留90天。本報告未經本公司書面許可，不可部份複製。

This document is issued by the Company subject to its General Conditions of Service printed overleaf, available on request or accessible at <http://www.sgs.com.tw/Terms-and-Conditions> and for electronic format documents, subject to Terms and Conditions for Electronic Documents at <http://www.sgs.com.tw/Terms-and-Conditions>. Attention is drawn to the limitation of liability, indemnification and jurisdiction issues defined therein. Any holder of this document is advised that information contained hereon reflects the Company's findings at the time of its intervention only and within the limits of Client's instructions, if any. The Company's sole responsibility is to its Client and this document does not exonerate parties to a transaction from exercising all their rights and obligations under the transaction documents. This document cannot be reproduced except in full, without prior written approval of the Company. Any unauthorized alteration, forgery or falsification of the content or appearance of this document is unlawful and offenders may be prosecuted to the fullest extent of the law.

LTE B5 + LTE B66	Left Edge_5mm	0.023	0.101	0.000000000221	0.124
LTE B5 + LTE B66	Right Edge_5mm	0.077	0.475	0.000000000221	0.552
LTE B5 + LTE B7	Front Surface_5mm	0.114	0.303	0.000000000221	0.417
LTE B5 + LTE B7	Back Surface_5mm	0.364	0.649	0.000000000221	1.013
LTE B5 + LTE B7	Top Edge_5mm	0.108	0.265	0.000000000221	0.373
LTE B5 + LTE B7	Bottom Edge_5mm	0.009	0.270	0.000000000221	0.279
LTE B5 + LTE B7	Left Edge_5mm	0.023	0.133	0.000000000221	0.156
LTE B5 + LTE B7	Right Edge_5mm	0.077	0.875	0.000000000221	0.952
LTE B12 + LTE B7	Front Surface_5mm	0.166	0.303	0.000000000221	0.469
LTE B12 + LTE B7	Back Surface_5mm	0.608	0.649	0.000000000221	1.257
LTE B12 + LTE B7	Top Edge_5mm	0.155	0.265	0.000000000221	0.420
LTE B12 + LTE B7	Bottom Edge_5mm	0.017	0.270	0.000000000221	0.287
LTE B12 + LTE B7	Left Edge_5mm	0.035	0.133	0.000000000221	0.168
LTE B12 + LTE B7	Right Edge_5mm	0.222	0.875	0.000000000221	1.097
LTE B13 + LTE B7	Front Surface_5mm	0.193	0.303	0.000000000221	0.496
LTE B13 + LTE B7	Back Surface_5mm	0.328	0.649	0.000000000221	0.977
LTE B13 + LTE B7	Top Edge_5mm	0.184	0.265	0.000000000221	0.449
LTE B13 + LTE B7	Bottom Edge_5mm	0.025	0.270	0.000000000221	0.295
LTE B13 + LTE B7	Left Edge_5mm	0.047	0.133	0.000000000221	0.180
LTE B13 + LTE B7	Right Edge_5mm	0.118	0.875	0.000000000221	0.993

Unless otherwise stated the results shown in this test report refer only to the sample(s) tested and such sample(s) are retained for 90 days only.

除非另有說明，此報告結果僅對測試之樣品負責，同時此樣品僅保留90天。本報告未經本公司書面許可，不可部份複製。

This document is issued by the Company subject to its General Conditions of Service printed overleaf, available on request or accessible at <http://www.sgs.com.tw/Terms-and-Conditions> and for electronic format documents, subject to Terms and Conditions for Electronic Documents at <http://www.sgs.com.tw/Terms-and-Conditions>. Attention is drawn to the limitation of liability, indemnification and jurisdiction issues defined therein. Any holder of this document is advised that information contained hereon reflects the Company's findings at the time of its intervention only and within the limits of Client's instructions, if any. The Company's sole responsibility is to its Client and this document does not exonerate parties to a transaction from exercising all their rights and obligations under the transaction documents. This document cannot be reproduced except in full, without prior written approval of the Company. Any unauthorized alteration, forgery or falsification of the content or appearance of this document is unlawful and offenders may be prosecuted to the fullest extent of the law.

LTE B26 + LTE B7	Front Surface_5mm	0.107	0.303	0.000000000221	0.410
LTE B26 + LTE B7	Back Surface_5mm	0.458	0.649	0.000000000221	1.107
LTE B26 + LTE B7	Top Edge_5mm	0.232	0.265	0.000000000221	0.497
LTE B26 + LTE B7	Bottom Edge_5mm	0.026	0.270	0.000000000221	0.296
LTE B26 + LTE B7	Left Edge_5mm	0.036	0.133	0.000000000221	0.169
LTE B26 + LTE B7	Right Edge_5mm	0.082	0.875	0.000000000221	0.957
LTE B66 + LTE B7	Front Surface_5mm	0.224	0.303	0.000000000221	0.527
LTE B66 + LTE B7	Back Surface_5mm	0.645	0.649	0.000000000221	1.294
LTE B66 + LTE B7	Top Edge_5mm	0.523	0.265	0.000000000221	0.788
LTE B66 + LTE B7	Bottom Edge_5mm	0.011	0.270	0.000000000221	0.281
LTE B66 + LTE B7	Left Edge_5mm	0.049	0.133	0.000000000221	0.182
LTE B66 + LTE B7	Right Edge_5mm	0.333	0.875	0.000000000221	1.208
LTE B25 + LTE B7	Front Surface_5mm	0.184	0.303	0.000000000221	0.487
LTE B25 + LTE B7	Back Surface_5mm	0.356	0.649	0.000000000221	1.005
LTE B25 + LTE B7	Top Edge_5mm	0.532	0.265	0.000000000221	0.797

Unless otherwise stated the results shown in this test report refer only to the sample(s) tested and such sample(s) are retained for 90 days only.

除非另有說明，此報告結果僅對測試之樣品負責，同時此樣品僅保留90天。本報告未經本公司書面許可，不可部份複製。

This document is issued by the Company subject to its General Conditions of Service printed overleaf, available on request or accessible at <http://www.sgs.com.tw/Terms-and-Conditions> and for electronic format documents, subject to Terms and Conditions for Electronic Documents at <http://www.sgs.com.tw/Terms-and-Conditions>. Attention is drawn to the limitation of liability, indemnification and jurisdiction issues defined therein. Any holder of this document is advised that information contained hereon reflects the Company's findings at the time of its intervention only and within the limits of Client's instructions, if any. The Company's sole responsibility is to its Client and this document does not exonerate parties to a transaction from exercising all their rights and obligations under the transaction documents. This document cannot be reproduced except in full, without prior written approval of the Company. Any unauthorized alteration, forgery or falsification of the content or appearance of this document is unlawful and offenders may be prosecuted to the fullest extent of the law.

LTE B25 + LTE B7	Bottom Edge_5mm	0.008	0.270	0.000000000221	0.278
LTE B25 + LTE B7	Left Edge_5mm	0.054	0.133	0.000000000221	0.187
LTE B25 + LTE B7	Right Edge_5mm	0.243	0.875	0.000000000221	1.118
LTE B12 + LTE B25	Front Surface_5mm	0.166	0.229	0.000000000221	0.395
LTE B12 + LTE B25	Back Surface_5mm	0.608	0.360	0.000000000221	0.968
LTE B12 + LTE B25	Top Edge_5mm	0.155	0.195	0.000000000221	0.350
LTE B12 + LTE B25	Bottom Edge_5mm	0.017	0.203	0.000000000221	0.220
LTE B12 + LTE B25	Left Edge_5mm	0.035	0.139	0.000000000221	0.174
LTE B12 + LTE B25	Right Edge_5mm	0.222	0.659	0.000000000221	0.881
LTE B12 + LTE B30	Front Surface_5mm	0.166	0.075	0.000000000221	0.241
LTE B12 + LTE B30	Back Surface_5mm	0.608	0.347	0.000000000221	0.955
LTE B12 + LTE B30	Top Edge_5mm	0.155	0.071	0.000000000221	0.226
LTE B12 + LTE B30	Bottom Edge_5mm	0.017	0.073	0.000000000221	0.090
LTE B12 + LTE B30	Left Edge_5mm	0.035	0.054	0.000000000221	0.089
LTE B12 + LTE B30	Right Edge_5mm	0.222	0.725	0.000000000221	0.947
LTE B12 + LTE B66	Front Surface_5mm	0.166	0.152	0.000000000221	0.318
LTE B12 + LTE B66	Back Surface_5mm	0.608	0.282	0.000000000221	0.890
LTE B12 + LTE B66	Top Edge_5mm	0.155	0.137	0.000000000221	0.292
LTE B12 + LTE B66	Bottom Edge_5mm	0.017	0.141	0.000000000221	0.158
LTE B12 + LTE B66	Left Edge_5mm	0.035	0.101	0.000000000221	0.136
LTE B12 + LTE B66	Right Edge_5mm	0.222	0.475	0.000000000221	0.697

Unless otherwise stated the results shown in this test report refer only to the sample(s) tested and such sample(s) are retained for 90 days only.

除非另有說明，此報告結果僅對測試之樣品負責，同時此樣品僅保留90天。本報告未經本公司書面許可，不可部份複製。

This document is issued by the Company subject to its General Conditions of Service printed overleaf, available on request or accessible at <http://www.sgs.com.tw/Terms-and-Conditions> and for electronic format documents, subject to Terms and Conditions for Electronic Documents at <http://www.sgs.com.tw/Terms-and-Conditions>. Attention is drawn to the limitation of liability, indemnification and jurisdiction issues defined therein. Any holder of this document is advised that information contained hereon reflects the Company's findings at the time of its intervention only and within the limits of Client's instructions, if any. The Company's sole responsibility is to its Client and this document does not exonerate parties to a transaction from exercising all their rights and obligations under the transaction documents. This document cannot be reproduced except in full, without prior written approval of the Company. Any unauthorized alteration, forgery or falsification of the content or appearance of this document is unlawful and offenders may be prosecuted to the fullest extent of the law.

LTE B13 + LTE B66	Front Surface_5mm	0.193	0.152	0.000000000221	0.345
LTE B13 + LTE B66	Back Surface_5mm	0.328	0.282	0.000000000221	0.610
LTE B13 + LTE B66	Top Edge_5mm	0.184	0.137	0.000000000221	0.321
LTE B13 + LTE B66	Bottom Edge_5mm	0.025	0.141	0.000000000221	0.166
LTE B13 + LTE B66	Left Edge_5mm	0.047	0.101	0.000000000221	0.148
LTE B13 + LTE B66	Right Edge_5mm	0.118	0.475	0.000000000221	0.593
LTE B14 + LTE B30	Front Surface_5mm	0.184	0.075	0.000000000221	0.259
LTE B14 + LTE B30	Back Surface_5mm	0.429	0.347	0.000000000221	0.776
LTE B14 + LTE B30	Top Edge_5mm	0.179	0.071	0.000000000221	0.250
LTE B14 + LTE B30	Bottom Edge_5mm	0.021	0.073	0.000000000221	0.094
LTE B14 + LTE B30	Left Edge_5mm	0.037	0.054	0.000000000221	0.091
LTE B14 + LTE B30	Right Edge_5mm	0.130	0.725	0.000000000221	0.855
LTE B14 + LTE B66	Front Surface_5mm	0.184	0.152	0.000000000221	0.336
LTE B14 + LTE B66	Back Surface_5mm	0.429	0.282	0.000000000221	0.711

Unless otherwise stated the results shown in this test report refer only to the sample(s) tested and such sample(s) are retained for 90 days only.

除非另有說明，此報告結果僅對測試之樣品負責，同時此樣品僅保留90天。本報告未經本公司書面許可，不可部份複製。

This document is issued by the Company subject to its General Conditions of Service printed overleaf, available on request or accessible at <http://www.sgs.com.tw/Terms-and-Conditions> and for electronic format documents, subject to Terms and Conditions for Electronic Documents at <http://www.sgs.com.tw/Terms-and-Conditions>. Attention is drawn to the limitation of liability, indemnification and jurisdiction issues defined therein. Any holder of this document is advised that information contained hereon reflects the Company's findings at the time of its intervention only and within the limits of Client's instructions, if any. The Company's sole responsibility is to its Client and this document does not exonerate parties to a transaction from exercising all their rights and obligations under the transaction documents. This document cannot be reproduced except in full, without prior written approval of the Company. Any unauthorized alteration, forgery or falsification of the content or appearance of this document is unlawful and offenders may be prosecuted to the fullest extent of the law.

LTE B14 + LTE B66	Top Edge_5mm	0.179	0.137	0.000000000221	0.316
LTE B14 + LTE B66	Bottom Edge_5mm	0.021	0.141	0.000000000221	0.162
LTE B14 + LTE B66	Left Edge_5mm	0.037	0.101	0.000000000221	0.138
LTE B14 + LTE B66	Right Edge_5mm	0.130	0.475	0.000000000221	0.605
LTE B25 + LTE B26	Front Surface_5mm	0.184	0.170	0.000000000221	0.354
LTE B25 + LTE B26	Back Surface_5mm	0.356	0.303	0.000000000221	0.659
LTE B25 + LTE B26	Top Edge_5mm	0.532	0.138	0.000000000221	0.670
LTE B25 + LTE B26	Bottom Edge_5mm	0.008	0.144	0.000000000221	0.152
LTE B25 + LTE B26	Left Edge_5mm	0.054	0.109	0.000000000221	0.163
LTE B25 + LTE B26	Right Edge_5mm	0.243	0.505	0.000000000221	0.748
LTE B25 + LTE B66	Front Surface_5mm	0.184	0.152	0.000000000221	0.336
LTE B25 + LTE B66	Back Surface_5mm	0.356	0.282	0.000000000221	0.638
LTE B25 + LTE B66	Top Edge_5mm	0.532	0.137	0.000000000221	0.669
LTE B25 + LTE B66	Bottom Edge_5mm	0.008	0.141	0.000000000221	0.149
LTE B25 + LTE B66	Left Edge_5mm	0.054	0.101	0.000000000221	0.155
LTE B25 + LTE B66	Right Edge_5mm	0.243	0.475	0.000000000221	0.718

Unless otherwise stated the results shown in this test report refer only to the sample(s) tested and such sample(s) are retained for 90 days only.

除非另有說明，此報告結果僅對測試之樣品負責，同時此樣品僅保留90天。本報告未經本公司書面許可，不可部份複製。

This document is issued by the Company subject to its General Conditions of Service printed overleaf, available on request or accessible at <http://www.sgs.com.tw/Terms-and-Conditions> and for electronic format documents, subject to Terms and Conditions for Electronic Documents at <http://www.sgs.com.tw/Terms-and-Conditions>. Attention is drawn to the limitation of liability, indemnification and jurisdiction issues defined therein. Any holder of this document is advised that information contained hereon reflects the Company's findings at the time of its intervention only and within the limits of Client's instructions, if any. The Company's sole responsibility is to its Client and this document does not exonerate parties to a transaction from exercising all their rights and obligations under the transaction documents. This document cannot be reproduced except in full, without prior written approval of the Company. Any unauthorized alteration, forgery or falsification of the content or appearance of this document is unlawful and offenders may be prosecuted to the fullest extent of the law.

LTE B66 +	Front Surface_5mm	0.224	0.075	0.000000000221	0.299
LTE B30					
LTE B66 +	Back Surface_5mm	0.645	0.347	0.000000000221	0.992
LTE B30					
LTE B66 +	Top Edge_5mm	0.523	0.071	0.000000000221	0.594
LTE B30					
LTE B66 +	Bottom Edge_5mm	0.011	0.073	0.000000000221	0.084
LTE B30					
LTE B66 +	Left Edge_5mm	0.049	0.054	0.000000000221	0.103
LTE B30					
LTE B66 +	Right Edge_5mm	0.333	0.725	0.000000000221	1.058
LTE B30					
LTE B66 +	Front Surface_5mm	0.224	0.113	0.000000000221	0.337
LTE B71					
LTE B66 +	Back Surface_5mm	0.645	0.243	0.000000000221	0.888
LTE B71					
LTE B66 +	Top Edge_5mm	0.523	0.093	0.000000000221	0.616
LTE B71					
LTE B66 +	Bottom Edge_5mm	0.011	0.103	0.000000000221	0.114
LTE B71					
LTE B66 +	Left Edge_5mm	0.049	0.058	0.000000000221	0.107
LTE B71					
LTE B66 +	Right Edge_5mm	0.333	0.449	0.000000000221	0.782
LTE B71					

Unless otherwise stated the results shown in this test report refer only to the sample(s) tested and such sample(s) are retained for 90 days only.

除非另有說明，此報告結果僅對測試之樣品負責，同時此樣品僅保留90天。本報告未經本公司書面許可，不可部份複製。

This document is issued by the Company subject to its General Conditions of Service printed overleaf, available on request or accessible at <http://www.sgs.com.tw/Terms-and-Conditions> and for electronic format documents, subject to Terms and Conditions for Electronic Documents at <http://www.sgs.com.tw/Terms-and-Conditions>. Attention is drawn to the limitation of liability, indemnification and jurisdiction issues defined therein. Any holder of this document is advised that information contained hereon reflects the Company's findings at the time of its intervention only and within the limits of Client's instructions, if any. The Company's sole responsibility is to its Client and this document does not exonerate parties to a transaction from exercising all their rights and obligations under the transaction documents. This document cannot be reproduced except in full, without prior written approval of the Company. Any unauthorized alteration, forgery or falsification of the content or appearance of this document is unlawful and offenders may be prosecuted to the fullest extent of the law.

WWAN (Ant0 +Ant3)	Exposure position 10g(W/kg)	0	1	2	0+1+2 Sum
		WWAN Ant0	WWAN Ant3	NFC	
NR n38 + NR n38	Front Surface_5mm	0.069	0.127	0.000000000221	0.196
NR n38 + NR n38	Back Surface_5mm	0.113	0.498	0.000000000221	0.611
NR n38 + NR n38	Top Edge_5mm	0.077	0.096	0.000000000221	0.173
NR n38 + NR n38	Bottom Edge_5mm	0.008	0.099	0.000000000221	0.107
NR n38 + NR n38	Left Edge_5mm	0.033	0.056	0.000000000221	0.089
NR n38 + NR n38	Right Edge_5mm	0.088	0.757	0.000000000221	0.845
NR n41 + NR n41	Front Surface_5mm	0.060	0.060	0.000000000221	0.120
NR n41 + NR n41	Back Surface_5mm	0.166	0.249	0.000000000221	0.415
NR n41 + NR n41	Top Edge_5mm	0.076	0.051	0.000000000221	0.127
NR n41 + NR n41	Bottom Edge_5mm	0.012	0.053	0.000000000221	0.065
NR n41 + NR n41	Left Edge_5mm	0.031	0.028	0.000000000221	0.059
NR n41 + NR n41	Right Edge_5mm	0.080	0.799	0.000000000221	0.879
NR n48 + NR n48	Front Surface_5mm	0.034	0.020	0.000000000221	0.054
NR n48 + NR n48	Back Surface_5mm	0.169	0.187	0.000000000221	0.356
NR n48 + NR n48	Top Edge_5mm	0.092	0.012	0.000000000221	0.104
NR n48 + NR n48	Bottom Edge_5mm	0.009	0.010	0.000000000221	0.019
NR n48 + NR n48	Left Edge_5mm	0.029	0.002	0.000000000221	0.031
NR n48 + NR n48	Right Edge_5mm	0.049	0.590	0.000000000221	0.639

Unless otherwise stated the results shown in this test report refer only to the sample(s) tested and such sample(s) are retained for 90 days only.

除非另有說明，此報告結果僅對測試之樣品負責，同時此樣品僅保留90天。本報告未經本公司書面許可，不可部份複製。

This document is issued by the Company subject to its General Conditions of Service printed overleaf, available on request or accessible at <http://www.sgs.com.tw/Terms-and-Conditions> and for electronic format documents, subject to Terms and Conditions for Electronic Documents at <http://www.sgs.com.tw/Terms-and-Conditions>. Attention is drawn to the limitation of liability, indemnification and jurisdiction issues defined therein. Any holder of this document is advised that information contained hereon reflects the Company's findings at the time of its intervention only and within the limits of Client's instructions, if any. The Company's sole responsibility is to its Client and this document does not exonerate parties to a transaction from exercising all their rights and obligations under the transaction documents. This document cannot be reproduced except in full, without prior written approval of the Company. Any unauthorized alteration, forgery or falsification of the content or appearance of this document is unlawful and offenders may be prosecuted to the fullest extent of the law.

NR n77 + NR n77	Front Surface_5mm	0.287	0.010	0.000000000221	0.297		
NR n77 + NR n77	Back Surface_5mm	1.153	0.074	0.000000000221	1.227		
NR n77 + NR n77	Top Edge_5mm	0.350	0.002	0.000000000221	0.352		
NR n77 + NR n77	Bottom Edge_5mm	0.027	0.002	0.000000000221	0.029		
NR n77 + NR n77	Left Edge_5mm	0.089	0.001	0.000000000221	0.090		
NR n77 + NR n77	Right Edge_5mm	0.389	0.090	0.000000000221	0.479		
NR n78 + NR n78	Front Surface_5mm	0.306	0.009	0.000000000221	0.315		
NR n78 + NR n78	Back Surface_5mm	0.663	0.053	0.000000000221	0.716		
NR n78 + NR n78	Top Edge_5mm	0.361	0.024	0.000000000221	0.385		
NR n78 + NR n78	Bottom Edge_5mm	0.037	0.025	0.000000000221	0.062		
NR n78 + NR n78	Left Edge_5mm	0.140	0.002	0.000000000221	0.142		
NR n78 + NR n78	Right Edge_5mm	0.270	0.085	0.000000000221	0.355		
Exposure position 10g(W/kg)	3	4	5	2	2+3	2+4	2+5
	WLAN 2.4GHz	Bluetooth	WLAN 5GHz	NFC	Sum	Sum	Sum
Front Surface_5mm	0.166	0.126	0.126	0.000000000221	0.166	0.126	0.126
Back Surface_5mm	0.351	0.232	0.232	0.000000000221	0.351	0.232	0.232
Top Edge_5mm	0.638	0.096	0.096	0.000000000221	0.638	0.096	0.096
Bottom Edge_5mm	0.025	0.099	0.099	0.000000000221	0.025	0.099	0.099
Left Edge_5mm	0.061	0.073	0.073	0.000000000221	0.061	0.073	0.073
Right Edge_5mm	0.235	0.478	0.478	0.000000000221	0.235	0.478	0.478

8.4 Conclusion

The simultaneous transmission is compliant because both SAR sum and/or SPLSR are less than their corresponding criteria.

Unless otherwise stated the results shown in this test report refer only to the sample(s) tested and such sample(s) are retained for 90 days only.

除非另有說明，此報告結果僅對測試之樣品負責，同時此樣品僅保留90天。本報告未經本公司書面許可，不可部份複製。

This document is issued by the Company subject to its General Conditions of Service printed overleaf, available on request or accessible at <http://www.sgs.com.tw/Terms-and-Conditions> and for electronic format documents, subject to Terms and Conditions for Electronic Documents at <http://www.sgs.com.tw/Terms-and-Conditions>. Attention is drawn to the limitation of liability, indemnification and jurisdiction issues defined therein. Any holder of this document is advised that information contained hereon reflects the Company's findings at the time of its intervention only and within the limits of Client's instructions, if any. The Company's sole responsibility is to its Client and this document does not exonerate parties to a transaction from exercising all their rights and obligations under the transaction documents. This document cannot be reproduced except in full, without prior written approval of the Company. Any unauthorized alteration, forgery or falsification of the content or appearance of this document is unlawful and offenders may be prosecuted to the fullest extent of the law.

9 INSTRUMENTS LIST

Equipment List					
Manufacturer	Device	Type	Serial number	Date of last calibration	Date of next calibration
SPEAG	Data acquisition Electronics	DAE4	1260	Sep/22/2022	Sep/21/2023
SPEAG	Dosimetric E-Field Probe	EX3DV4	7642	Feb/20/2023	Feb/19/2024
SPEAG	System Validation Dipole	D750V3	1015	Oct/09/2023	Oct/08/2023
SPEAG	System Validation Dipole	D835V2	4d063	Sep/26/2022	Sep/25/2023
SPEAG	System Validation Dipole	D1750V2	1008	Sep/27/2022	Sep/26/2023
SPEAG	System Validation Dipole	D1900V2	5d142	Jul/06/2022	Jul/05/2023
SPEAG	System Validation Dipole	D2300V2	1023	Oct/09/2022	Oct/08/2023
SPEAG	System Validation Dipole	D2450V2	727	Apr/25/2022	Apr/24/2023
SPEAG	System Validation Dipole	D2600V2	1005	Jan/11/2023	Jan/10/2024
SPEAG	System Validation Dipole	D3500V2	1009	Oct/09/2022	Oct/08/2023
SPEAG	System Validation Dipole	D3700V2	1057	Nov/22/2022	Nov/21/2023
SPEAG	System Validation Dipole	D3900V2	1032	Nov/22/2022	Nov/21/2023
SPEAG	Dielectric Assessment Kit	DAKS-3.5	1053	Feb/27/2023	Feb/26/2024
R&S	MXG Analog Signal Generator	SMB100A03	182012	Jun/13/2022	Jun/12/2023
Agilent	Dual-directional coupler	772D	MY46151258	Oct/03/2022	Oct/02/2023
Agilent	Dual-directional coupler	778D	MY46151242	Aug/30/2022	Aug/29/2023
EMCI	Amplifier	EMC 074225P	980155	Calibration not required	Calibration not required
EMCI	Amplifier	EMC 2830P	980156	Calibration not required	Calibration not required
R&S	Power Meter	NRX	105651	Nov/25/2022	Nov/24/2023
R&S	Power Sensor	NRP6A	104246	Nov/22/2022	Nov/21/2023
R&S	Power Sensor	NRP6A	104247	Nov/22/2022	Nov/21/2023
SPEAG	Software	DASY 52 V52.10.4.152 7	N/A	Calibration not required	Calibration not required
SPEAG	Phantom	SAM	N/A	Calibration not required	Calibration not required
R&S	Radio Communication Test	CMW 500	125470	Jul/05/2022	Jul/04/2023
TECEP	Digital thermometer	DTM-303A	TP130074	Apr/28/2023	Apr/27/2024

Unless otherwise stated the results shown in this test report refer only to the sample(s) tested and such sample(s) are retained for 90 days only.

除非另有說明，此報告結果僅對測試之樣品負責，同時此樣品僅保留90天。本報告未經本公司書面許可，不可部份複製。

This document is issued by the Company subject to its General Conditions of Service printed overleaf, available on request or accessible at <http://www.sgs.com.tw/Terms-and-Conditions> and for electronic format documents, subject to Terms and Conditions for Electronic Documents at <http://www.sgs.com.tw/Terms-and-Conditions>. Attention is drawn to the limitation of liability, indemnification and jurisdiction issues defined therein. Any holder of this document is advised that information contained hereon reflects the Company's findings at the time of its intervention only and within the limits of Client's instructions, if any. The Company's sole responsibility is to its Client and this document does not exonerate parties to a transaction from exercising all their rights and obligations under the transaction documents. This document cannot be reproduced except in full, without prior written approval of the Company. Any unauthorized alteration, forgery or falsification of the content or appearance of this document is unlawful and offenders may be prosecuted to the fullest extent of the law.

Equipment List					
Manufacturer	Device	Type	Serial number	Date of last calibration	Date of next calibration
SPEAG	Data acquisition Electronics	DAE4	1260	Sep/22/2022	Sep/21/2023
SPEAG	Dosimetric E-Field Probe	EX3DV4	7642	Feb/20/2023	Feb/19/2024
SPEAG	System Validation Dipole	D2450V2	727	Apr/25/2022	Apr/24/2023
SPEAG	System Validation Dipole	D5GHzV2	1023	Jan/19/2023	Jan/18/2024
SPEAG	Dielectric Assessment Kit	DAKS-3.5	0004	Jan/25/2023	Jan/24/2024
R&S	MXG Analog Signal Generator	SMB100A03	182012	Jun/13/2022	Jun/12/2023
Agilent	Dual-directional coupler	772D	MY46151258	Oct/03/2022	Oct/02/2023
Agilent	Dual-directional coupler	778D	MY46151242	Aug/30/2022	Aug/29/2023
EMCI	Amplifier	EMC 2830P	980156	Calibration not required	Calibration not required
R&S	Power Meter	NRX	105651	Nov/25/2022	Nov/24/2023
R&S	Power Sensor	NRP6A	104246	Nov/22/2022	Nov/21/2023
R&S	Power Sensor	NRP6A	104247	Nov/22/2022	Nov/21/2023
SPEAG	Software	DASY 52 V52.10.4.152 7	N/A	Calibration not required	Calibration not required
SPEAG	Phantom	SAM	N/A	Calibration not required	Calibration not required
TECEP	Digital thermometer	DTM-303A	TP130074	May/13/2022	May/12/2023

Unless otherwise stated the results shown in this test report refer only to the sample(s) tested and such sample(s) are retained for 90 days only.

除非另有說明，此報告結果僅對測試之樣品負責，同時此樣品僅保留90天。本報告未經本公司書面許可，不可部份複製。

This document is issued by the Company subject to its General Conditions of Service printed overleaf, available on request or accessible at <http://www.sgs.com.tw/Terms-and-Conditions> and for electronic format documents, subject to Terms and Conditions for Electronic Documents at <http://www.sgs.com.tw/Terms-and-Conditions>. Attention is drawn to the limitation of liability, indemnification and jurisdiction issues defined therein. Any holder of this document is advised that information contained hereon reflects the Company's findings at the time of its intervention only and within the limits of Client's instructions, if any. The Company's sole responsibility is to its Client and this document does not exonerate parties to a transaction from exercising all their rights and obligations under the transaction documents. This document cannot be reproduced except in full, without prior written approval of the Company. Any unauthorized alteration, forgery or falsification of the content or appearance of this document is unlawful and offenders may be prosecuted to the fullest extent of the law.

10 UNCERTAINTY BUDGET

Measurement Uncertainty evaluation template for DUT SAR test (3-6G)

A	c	D	e		f	g	h=c * f / e	i=c * g / e	k
Source of Uncertainty	Tolerance/ Uncertainty	Probability Distributio	Div	Div Value	ci (1g)	ci (10g)	Standard uncertainty	Standard uncertainty	vi, or Veff
Measurement system									
Probe calibration	6.55%	N	1	1	1	1	6.55%	6.55%	∞
<i>Isotropy, Axial</i>	3.50%	R	√3	1.732	1	1	2.02%	2.02%	∞
<i>Isotropy, Hemispherical</i>	9.60%	R	√3	1.732	1	1	5.54%	5.54%	∞
Modulation Response	2.40%	R	√3	1.732	1	1	1.40%	1.40%	∞
Boundary Effect	1.00%	R	√3	1.732	1	1	0.58%	0.58%	∞
Linearity	4.70%	R	√3	1.732	1	1	2.71%	2.71%	∞
Detection Limits	1.00%	R	√3	1.732	1	1	0.58%	0.58%	∞
Readout Electronics	0.30%	N	1	1	1	1	0.30%	0.30%	∞
Response time	0.80%	R	√3	1.732	1	1	0.46%	0.46%	∞
Integration Time	2.60%	R	√3	1.732	1	1	1.50%	1.50%	∞
Measurement drift (class A evaluation)									
RF ambient condition - noise	3.00%	R	√3	1.732	1	1	1.73%	1.73%	∞
RF ambient conditions - reflections	3.00%	R	√3	1.732	1	1	1.73%	1.73%	∞
Probe positioner Mechanical restrictions	0.40%	R	√3	1.732	1	1	0.23%	0.23%	∞
Probe Positioning with respect to phantom shell	2.90%	R	√3	1.732	1	1	1.67%	1.67%	∞
Post-processing	1.00%	R	√3	1.732	1	1	0.58%	0.58%	∞
Max SAR Eval	1.00%	R	√3	1.732	1	1	0.58%	0.58%	∞
Test Sample related									
Test sample positioning	2.90%	N	1	1	1	1	2.90%	2.90%	M-1
Device Holder Uncertainty	3.60%	N	1	1	1	1	3.60%	3.60%	M-1
Drift of output power	5.00%	R	√3	1.732	1	1	2.89%	2.89%	∞
Phantom and Setup									
Phantom Uncertainty	4.00%	R	√3	1.732	1	1	2.31%	2.31%	∞
Liquid permittivity (mea.)	1.39%	N	1	1	0.64	0.43	0.89%	0.60%	M
Liquid Conductivity (mea.)	2.06%	N	1	1	0.6	0.49	1.24%	1.01%	M
Combined standard uncertainty		RSS					11.81%	11.77%	
Expant uncertainty (95% confidence interval), K=2							23.63%	23.53%	

Unless otherwise stated the results shown in this test report refer only to the sample(s) tested and such sample(s) are retained for 90 days only.

除非另有說明，此報告結果僅對測試之樣品負責，同時此樣品僅保留90天。本報告未經本公司書面許可，不可部份複製。

This document is issued by the Company subject to its General Conditions of Service printed overleaf, available on request or accessible at <http://www.sgs.com.tw/Terms-and-Conditions> and for electronic format documents, subject to Terms and Conditions for Electronic Documents at <http://www.sgs.com.tw/Terms-and-Conditions>. Attention is drawn to the limitation of liability, indemnification and jurisdiction issues defined therein. Any holder of this document is advised that information contained hereon reflects the Company's findings at the time of its intervention only and within the limits of Client's instructions, if any. The Company's sole responsibility is to its Client and this document does not exonerate parties to a transaction from exercising all their rights and obligations under the transaction documents. This document cannot be reproduced except in full, without prior written approval of the Company. Any unauthorized alteration, forgery or falsification of the content or appearance of this document is unlawful and offenders may be prosecuted to the fullest extent of the law.

Measurement Uncertainty evaluation template for DUT SAR test (0.3-3G)

A	c	D	e		f	g	h=c * f / e	i=c * g / e	k
Source of Uncertainty	Tolerance/ Uncertainty	Probability Distributio	Div	Div Value	ci (1g)	ci (10g)	Standard uncertainty	Standard uncertainty	vi, or Veff
Measurement system									
Probe calibration	6.00%	N	1	1	1	1	6.00%	6.00%	∞
<i>Isotropy, Axial</i>	3.50%	R	√3	1.732	1	1	2.02%	2.02%	∞
<i>Isotropy, Hemispherical</i>	9.60%	R	√3	1.732	1	1	5.54%	5.54%	∞
Modulation Response	2.40%	R	√3	1.732	1	1	1.40%	1.40%	∞
Boundary Effect	1.00%	R	√3	1.732	1	1	0.58%	0.58%	∞
Linearity	4.70%	R	√3	1.732	1	1	2.71%	2.71%	∞
Detection Limits	1.00%	R	√3	1.732	1	1	0.58%	0.58%	∞
Readout Electronics	0.30%	N	1	1	1	1	0.30%	0.30%	∞
Response time	0.80%	R	√3	1.732	1	1	0.46%	0.46%	∞
Integration Time	2.60%	R	√3	1.732	1	1	1.50%	1.50%	∞
Measurement drift (class A evaluation)	1.75%	R	√3	1.732	1	1	1.01%	1.01%	∞
RF ambient condition - noise	3.00%	R	√3	1.732	1	1	1.73%	1.73%	∞
RF ambient conditions - reflections	3.00%	R	√3	1.732	1	1	1.73%	1.73%	∞
Probe positioner Mechanical restrictions	0.40%	R	√3	1.732	1	1	0.23%	0.23%	∞
Probe Positioning with respect to phantom shell	2.90%	R	√3	1.732	1	1	1.67%	1.67%	∞
Post-processing	1.00%	R	√3	1.732	1	1	0.58%	0.58%	∞
Max SAR Eval	1.00%	R	√3	1.732	1	1	0.58%	0.58%	∞
Test Sample related									
Test sample positioning	2.90%	N	1	1	1	1	2.90%	2.90%	M-1
Device Holder Uncertainty	3.60%	N	1	1	1	1	3.60%	3.60%	M-1
Drift of output power	5.00%	R	√3	1.732	1	1	2.89%	2.89%	∞
Phantom and Setup									
Phantom Uncertainty	4.00%	R	√3	1.732	1	1	2.31%	2.31%	∞
Liquid permittivity (mea.)	4.12%	N	1	1	0.64	0.43	2.64%	1.77%	M
Liquid Conductivity (mea.)	4.28%	N	1	1	0.6	0.49	2.57%	2.10%	M
Combined standard uncertainty		RSS					12.00%	11.73%	
Expant uncertainty (95% confidence interval), K=2							23.99%	23.47%	

Unless otherwise stated the results shown in this test report refer only to the sample(s) tested and such sample(s) are retained for 90 days only.

除非另有說明，此報告結果僅對測試之樣品負責，同時此樣品僅保留90天。本報告未經本公司書面許可，不可部份複製。

This document is issued by the Company subject to its General Conditions of Service printed overleaf, available on request or accessible at <http://www.sgs.com.tw/Terms-and-Conditions> and for electronic format documents, subject to Terms and Conditions for Electronic Documents at <http://www.sgs.com.tw/Terms-and-Conditions>. Attention is drawn to the limitation of liability, indemnification and jurisdiction issues defined therein. Any holder of this document is advised that information contained hereon reflects the Company's findings at the time of its intervention only and within the limits of Client's instructions, if any. The Company's sole responsibility is to its Client and this document does not exonerate parties to a transaction from exercising all their rights and obligations under the transaction documents. This document cannot be reproduced except in full, without prior written approval of the Company. Any unauthorized alteration, forgery or falsification of the content or appearance of this document is unlawful and offenders may be prosecuted to the fullest extent of the law.

11 SAR MEASUREMENT RESULTS

Date: 2023/5/1

ID: 001

Report No. :TESA2303000153EN

LTE Band 2 (20M)_Body_Top Edge_CH 18700_QPSK_1-0_5mm_Ant0

Communication System: LTE; Frequency: 1860 MHz; Duty cycle= 1:1

Medium parameters used: $f = 1860 \text{ MHz}$; $\sigma = 1.406 \text{ S/m}$; $\epsilon_r = 39.013$; $\rho = 1000 \text{ kg/m}^3$

Phantom section: Flat Section

Ambient temperature: 22.5°C; Liquid temperature: 22.2°C

DASY5 Configuration:

- Probe: EX3DV4 - SN7642; ConvF(8.17, 8.08, 8.11) @ 1860 MHz; Calibrated: 2023/2/20
- Sensor-Surface: 2mm (Mechanical Surface Detection)
- Electronics: DAE4 Sn1260; Calibrated: 2022/9/22
- Phantom: SAM
- DASY52 52.10.4(1527); SEMCAD X 14.6.14(7483)

Area Scan (51x81x1): Interpolated grid: dx=15 mm, dy=15 mm

Maximum value of SAR (interpolated) = 0.767 W/kg

Zoom Scan (5x5x7)/Cube 0: Measurement grid: dx=8mm, dy=8mm, dz=5mm

Reference Value = 12.79 V/m; Power Drift = 0.12 dB

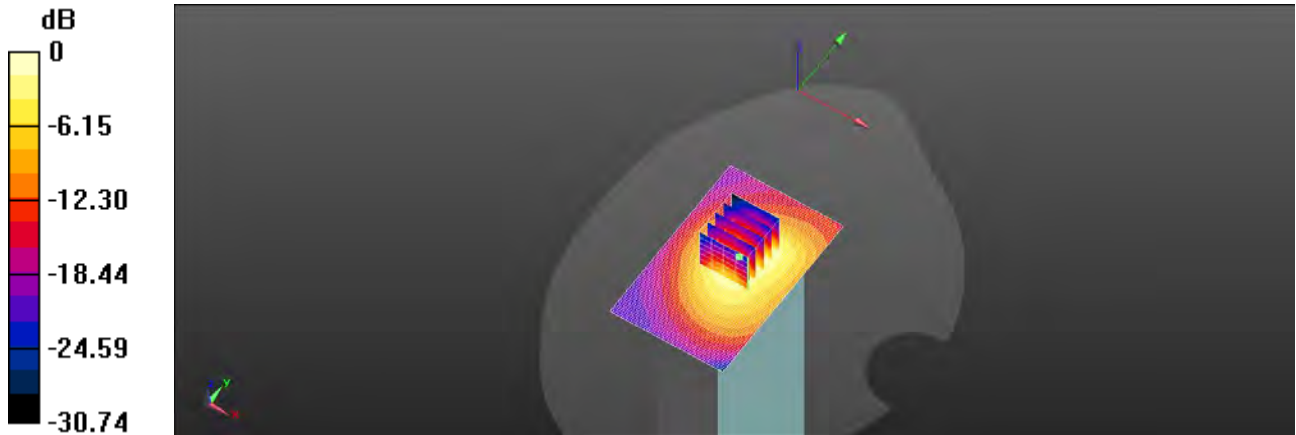
Peak SAR (extrapolated) = 0.863 W/kg

SAR(1 g) = 0.598 W/kg; SAR(10 g) = 0.369 W/kg

Smallest distance from peaks to all points 3 dB below = 12.9 mm

Ratio of SAR at M2 to SAR at M1 = 71.8%

Maximum value of SAR (measured) = 0.750 W/kg



0 dB = 0.767 W/kg = -1.15 dBW/kg

Unless otherwise stated the results shown in this test report refer only to the sample(s) tested and such sample(s) are retained for 90 days only.

除非另有說明，此報告結果僅對測試之樣品負責，同時此樣品僅保留90天。本報告未經本公司書面許可，不可部份複製。

This document is issued by the Company subject to its General Conditions of Service printed overleaf, available on request or accessible at <http://www.sgs.com.tw/Terms-and-Conditions> and for electronic format documents, subject to Terms and Conditions for Electronic Documents at <http://www.sgs.com.tw/Terms-and-Conditions>. Attention is drawn to the limitation of liability, indemnification and jurisdiction issues defined therein. Any holder of this document is advised that information contained hereon reflects the Company's findings at the time of its intervention only and within the limits of Client's instructions, if any. The Company's sole responsibility is to its Client and this document does not exonerate parties to a transaction from exercising all their rights and obligations under the transaction documents. This document cannot be reproduced except in full, without prior written approval of the Company. Any unauthorized alteration, forgery or falsification of the content or appearance of this document is unlawful and offenders may be prosecuted to the fullest extent of the law.

ID: 002

Report No. :TESA2303000153EN

LTE Band 4 (20M)_Body_Back Surface_CH 20300_QPSK_1-0_5mm_Ant0

Communication System: LTE; Frequency: 1745 MHz; Duty cycle= 1:1

Medium parameters used: $f = 1745 \text{ MHz}$; $\sigma = 1.317 \text{ S/m}$; $\epsilon_r = 39.209$; $\rho = 1000 \text{ kg/m}^3$

Phantom section: Flat Section

Ambient temperature: 22.3°C; Liquid temperature: 22.1°C

DASY5 Configuration:

- Probe: EX3DV4 - SN7642; ConvF(8.5, 8.42, 8.36) @ 1745 MHz; Calibrated: 2023/2/20
- Sensor-Surface: 2mm (Mechanical Surface Detection)
- Electronics: DAE4 Sn1260; Calibrated: 2022/9/22
- Phantom: SAM
- DASY52 52.10.4(1527); SEMCAD X 14.6.14(7483)

Area Scan (91x151x1): Interpolated grid: $dx=15 \text{ mm}$, $dy=15 \text{ mm}$

Maximum value of SAR (interpolated) = 0.558 W/kg

Zoom Scan (5x5x7)/Cube 0: Measurement grid: $dx=8\text{mm}$, $dy=8\text{mm}$, $dz=5\text{mm}$

Reference Value = 4.951 V/m; Power Drift = -0.17 dB

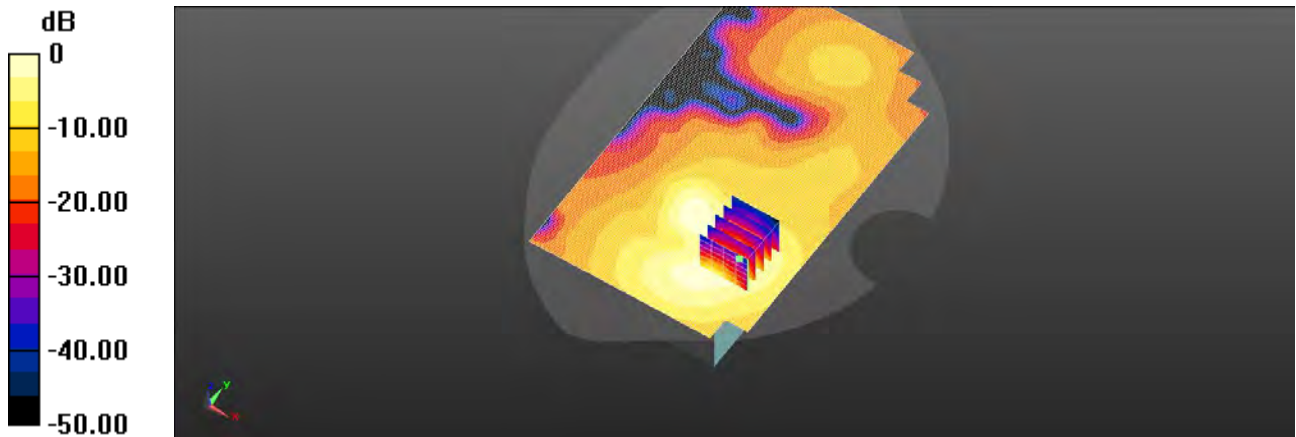
Peak SAR (extrapolated) = 0.670 W/kg

SAR(1 g) = 0.471 W/kg; SAR(10 g) = 0.291 W/kg

Smallest distance from peaks to all points 3 dB below = 12.2 mm

Ratio of SAR at M2 to SAR at M1 = 73.3%

Maximum value of SAR (measured) = 0.581 W/kg



0 dB = 0.558 W/kg = -2.53 dBW/kg

Unless otherwise stated the results shown in this test report refer only to the sample(s) tested and such sample(s) are retained for 90 days only.

除非另有說明，此報告結果僅對測試之樣品負責，同時此樣品僅保留90天。本報告未經本公司書面許可，不可部份複製。

This document is issued by the Company subject to its General Conditions of Service printed overleaf, available on request or accessible at <http://www.sgs.com.tw/Terms-and-Conditions> and for electronic format documents, subject to Terms and Conditions for Electronic Documents at <http://www.sgs.com.tw/Terms-and-Conditions>. Attention is drawn to the limitation of liability, indemnification and jurisdiction issues defined therein. Any holder of this document is advised that information contained hereon reflects the Company's findings at the time of its intervention only and within the limits of Client's instructions, if any. The Company's sole responsibility is to its Client and this document does not exonerate parties to a transaction from exercising all their rights and obligations under the transaction documents. This document cannot be reproduced except in full, without prior written approval of the Company. Any unauthorized alteration, forgery or falsification of the content or appearance of this document is unlawful and offenders may be prosecuted to the fullest extent of the law.

ID: 003

Report No. :TESA2303000153EN

LTE Band 5 (10M)_Body_Back Surface_CH 20525_QPSK_1-0_5mm_Ant0

Communication System: LTE; Frequency: 836.5 MHz; Duty cycle= 1:1

Medium parameters used: $f = 836.5$ MHz; $\sigma = 0.894$ S/m; $\epsilon_r = 40.901$; $\rho = 1000$ kg/m³

Phantom section: Flat Section

Ambient temperature: 22.0°C; Liquid temperature: 21.7°C

DASY5 Configuration:

- Probe: EX3DV4 - SN7642; ConvF(9.95, 9.92, 9.79) @ 836.5 MHz; Calibrated: 2023/2/20
- Sensor-Surface: 2mm (Mechanical Surface Detection)
- Electronics: DAE4 Sn1260; Calibrated: 2022/9/22
- Phantom: SAM
- DASY52 52.10.4(1527); SEMCAD X 14.6.14(7483)

Area Scan (91x151x1): Interpolated grid: dx=15 mm, dy=15 mm

Maximum value of SAR (interpolated) = 0.443 W/kg

Zoom Scan (5x5x7)/Cube 0: Measurement grid: dx=8mm, dy=8mm, dz=5mm

Reference Value = 5.814 V/m; Power Drift = 0.18 dB

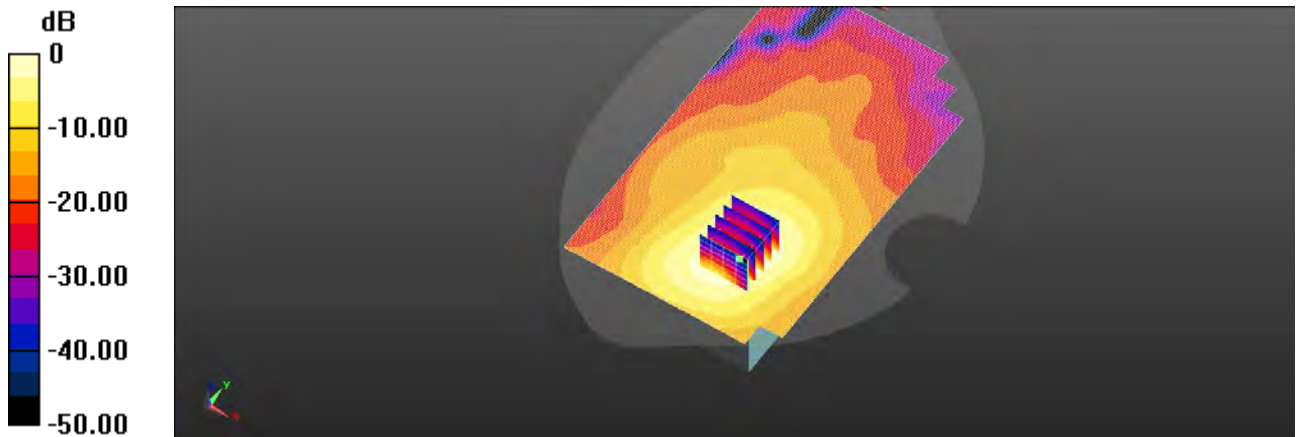
Peak SAR (extrapolated) = 0.485 W/kg

SAR(1 g) = 0.352 W/kg; SAR(10 g) = 0.242 W/kg

Smallest distance from peaks to all points 3 dB below = 13.6 mm

Ratio of SAR at M2 to SAR at M1 = 74.8%

Maximum value of SAR (measured) = 0.423 W/kg



0 dB = 0.443 W/kg = -3.54 dBW/kg

Unless otherwise stated the results shown in this test report refer only to the sample(s) tested and such sample(s) are retained for 90 days only.

除非另有說明，此報告結果僅對測試之樣品負責，同時此樣品僅保留90天。本報告未經本公司書面許可，不可部份複製。

This document is issued by the Company subject to its General Conditions of Service printed overleaf, available on request or accessible at <http://www.sgs.com.tw/Terms-and-Conditions> and for electronic format documents, subject to Terms and Conditions for Electronic Documents at <http://www.sgs.com.tw/Terms-and-Conditions>. Attention is drawn to the limitation of liability, indemnification and jurisdiction issues defined therein. Any holder of this document is advised that information contained hereon reflects the Company's findings at the time of its intervention only and within the limits of Client's instructions, if any. The Company's sole responsibility is to its Client and this document does not exonerate parties to a transaction from exercising all their rights and obligations under the transaction documents. This document cannot be reproduced except in full, without prior written approval of the Company. Any unauthorized alteration, forgery or falsification of the content or appearance of this document is unlawful and offenders may be prosecuted to the fullest extent of the law.

ID: 004

Report No. :TESA2303000153EN

LTE Band 12 (10M)_Body_Back Surface_CH 23060_QPSK_1-0_5mm_Ant0

Communication System: LTE; Frequency: 704 MHz; Duty cycle= 1:1

Medium parameters used: $f = 704 \text{ MHz}$; $\sigma = 0.863 \text{ S/m}$; $\epsilon_r = 42.515$; $\rho = 1000 \text{ kg/m}^3$

Phantom section: Flat Section

Ambient temperature: 22.6°C; Liquid temperature: 22.3°C

DASY5 Configuration:

- Probe: EX3DV4 - SN7642; ConvF(9.94, 9.88, 10.08) @ 704 MHz; Calibrated: 2023/2/20
- Sensor-Surface: 2mm (Mechanical Surface Detection)
- Electronics: DAE4 Sn1260; Calibrated: 2022/9/22
- Phantom: SAM
- DASY52 52.10.4(1527); SEMCAD X 14.6.14(7483)

Area Scan (91x151x1): Interpolated grid: dx=15 mm, dy=15 mm

Maximum value of SAR (interpolated) = 0.743 W/kg

Zoom Scan (5x5x7)/Cube 0: Measurement grid: dx=8mm, dy=8mm, dz=5mm

Reference Value = 10.25 V/m; Power Drift = 0.04 dB

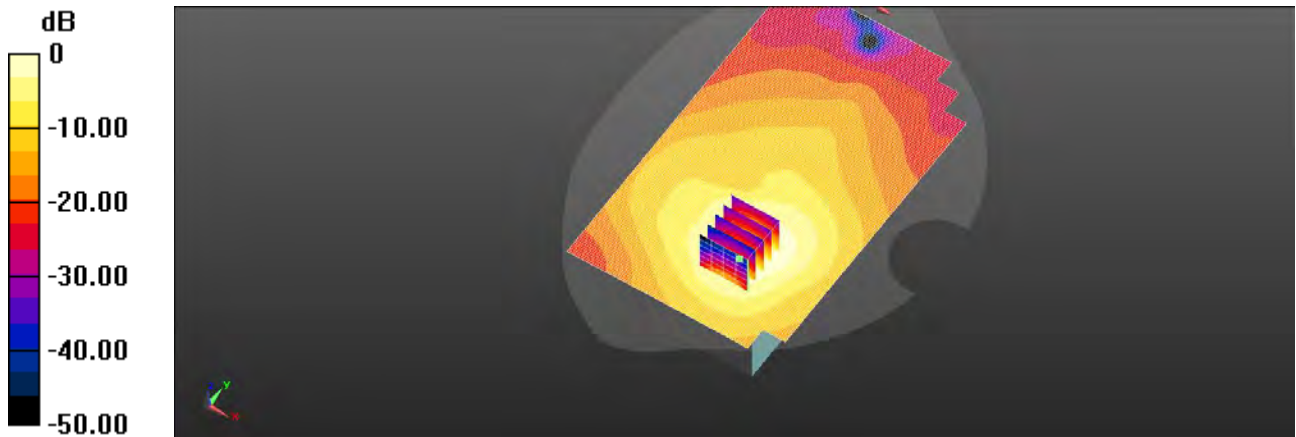
Peak SAR (extrapolated) = 0.814 W/kg

SAR(1 g) = 0.585 W/kg; SAR(10 g) = 0.422 W/kg

Smallest distance from peaks to all points 3 dB below = 17.2 mm

Ratio of SAR at M2 to SAR at M1 = 73.5%

Maximum value of SAR (measured) = 0.713 W/kg



0 dB = 0.743 W/kg = -1.29 dBW/kg

Unless otherwise stated the results shown in this test report refer only to the sample(s) tested and such sample(s) are retained for 90 days only.

除非另有說明，此報告結果僅對測試之樣品負責，同時此樣品僅保留90天。本報告未經本公司書面許可，不可部份複製。

This document is issued by the Company subject to its General Conditions of Service printed overleaf, available on request or accessible at <http://www.sgs.com.tw/Terms-and-Conditions> and for electronic format documents, subject to Terms and Conditions for Electronic Documents at <http://www.sgs.com.tw/Terms-and-Conditions>. Attention is drawn to the limitation of liability, indemnification and jurisdiction issues defined therein. Any holder of this document is advised that information contained hereon reflects the Company's findings at the time of its intervention only and within the limits of Client's instructions, if any. The Company's sole responsibility is to its Client and this document does not exonerate parties to a transaction from exercising all their rights and obligations under the transaction documents. This document cannot be reproduced except in full, without prior written approval of the Company. Any unauthorized alteration, forgery or falsification of the content or appearance of this document is unlawful and offenders may be prosecuted to the fullest extent of the law.

ID: 005

Report No. :TESA2303000153EN

LTE Band 13 (10M)_Body_Back Surface_CH 23230_QPSK_1-0_5mm_Ant0

Communication System: LTE; Frequency: 782 MHz; Duty cycle= 1:1

Medium parameters used: $f = 782 \text{ MHz}$; $\sigma = 0.915 \text{ S/m}$; $\epsilon_r = 42.149$; $\rho = 1000 \text{ kg/m}^3$

Phantom section: Flat Section

Ambient temperature: 22.6°C; Liquid temperature: 22.3°C

DASY5 Configuration:

- Probe: EX3DV4 - SN7642; ConvF(9.94, 9.88, 10.08) @ 782 MHz; Calibrated: 2023/2/20
- Sensor-Surface: 2mm (Mechanical Surface Detection)
- Electronics: DAE4 Sn1260; Calibrated: 2022/9/22
- Phantom: SAM
- DASY52 52.10.4(1527); SEMCAD X 14.6.14(7483)

Area Scan (91x151x1): Interpolated grid: dx=15 mm, dy=15 mm

Maximum value of SAR (interpolated) = 0.409 W/kg

Zoom Scan (5x5x7)/Cube 0: Measurement grid: dx=8mm, dy=8mm, dz=5mm

Reference Value = 10.04 V/m; Power Drift = -0.10 dB

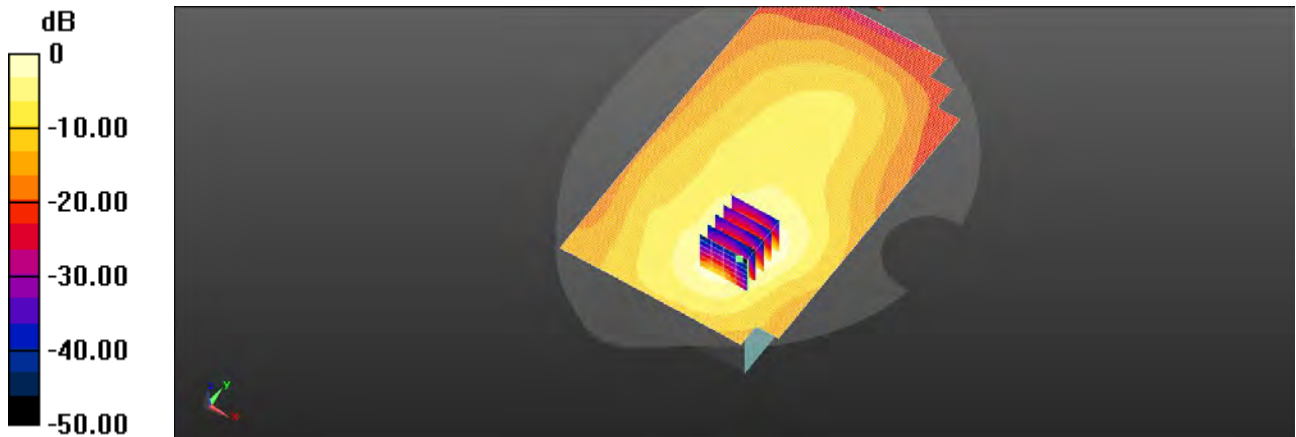
Peak SAR (extrapolated) = 0.430 W/kg

SAR(1 g) = 0.322 W/kg; SAR(10 g) = 0.229 W/kg

Smallest distance from peaks to all points 3 dB below = 13.6 mm

Ratio of SAR at M2 to SAR at M1 = 77.3%

Maximum value of SAR (measured) = 0.382 W/kg



0 dB = 0.409 W/kg = -3.89 dBW/kg

Unless otherwise stated the results shown in this test report refer only to the sample(s) tested and such sample(s) are retained for 90 days only.

除非另有說明，此報告結果僅對測試之樣品負責，同時此樣品僅保留90天。本報告未經本公司書面許可，不可部份複製。

This document is issued by the Company subject to its General Conditions of Service printed overleaf, available on request or accessible at <http://www.sgs.com.tw/Terms-and-Conditions> and for electronic format documents, subject to Terms and Conditions for Electronic Documents at <http://www.sgs.com.tw/Terms-and-Conditions>. Attention is drawn to the limitation of liability, indemnification and jurisdiction issues defined therein. Any holder of this document is advised that information contained hereon reflects the Company's findings at the time of its intervention only and within the limits of Client's instructions, if any. The Company's sole responsibility is to its Client and this document does not exonerate parties to a transaction from exercising all their rights and obligations under the transaction documents. This document cannot be reproduced except in full, without prior written approval of the Company. Any unauthorized alteration, forgery or falsification of the content or appearance of this document is unlawful and offenders may be prosecuted to the fullest extent of the law.

ID: 006

Report No. :TESA2303000153EN

LTE Band 14 (10M)_Body_Back Surface_CH 23330_QPSK_1-0_5mm_Ant0

Communication System: LTE; Frequency: 793 MHz; Duty cycle= 1:1

Medium parameters used: $f = 793 \text{ MHz}$; $\sigma = 0.926 \text{ S/m}$; $\epsilon_r = 42.068$; $\rho = 1000 \text{ kg/m}^3$

Phantom section: Flat Section

Ambient temperature: 22.6°C; Liquid temperature: 22.3°C

DASY5 Configuration:

- Probe: EX3DV4 - SN7642; ConvF(9.94, 9.88, 10.08) @ 793 MHz; Calibrated: 2023/2/20
- Sensor-Surface: 2mm (Mechanical Surface Detection)
- Electronics: DAE4 Sn1260; Calibrated: 2022/9/22
- Phantom: SAM
- DASY52 52.10.4(1527); SEMCAD X 14.6.14(7483)

Area Scan (91x151x1): Interpolated grid: dx=15 mm, dy=15 mm

Maximum value of SAR (interpolated) = 0.531 W/kg

Zoom Scan (5x5x7)/Cube 0: Measurement grid: dx=8mm, dy=8mm, dz=5mm

Reference Value = 10.18 V/m; Power Drift = -0.02 dB

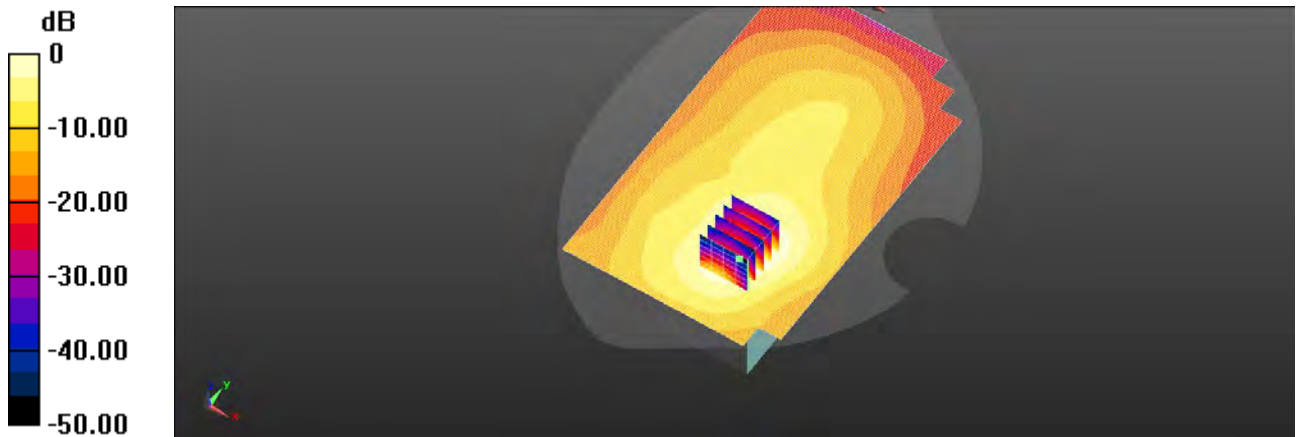
Peak SAR (extrapolated) = 0.563 W/kg

SAR(1 g) = 0.420 W/kg; SAR(10 g) = 0.299 W/kg

Smallest distance from peaks to all points 3 dB below = 13.6 mm

Ratio of SAR at M2 to SAR at M1 = 77.9%

Maximum value of SAR (measured) = 0.492 W/kg



0 dB = 0.531 W/kg = -2.75 dBW/kg

Unless otherwise stated the results shown in this test report refer only to the sample(s) tested and such sample(s) are retained for 90 days only.

除非另有說明，此報告結果僅對測試之樣品負責，同時此樣品僅保留90天。本報告未經本公司書面許可，不可部份複製。

This document is issued by the Company subject to its General Conditions of Service printed overleaf, available on request or accessible at <http://www.sgs.com.tw/Terms-and-Conditions> and for electronic format documents, subject to Terms and Conditions for Electronic Documents at <http://www.sgs.com.tw/Terms-and-Conditions>. Attention is drawn to the limitation of liability, indemnification and jurisdiction issues defined therein. Any holder of this document is advised that information contained hereon reflects the Company's findings at the time of its intervention only and within the limits of Client's instructions, if any. The Company's sole responsibility is to its Client and this document does not exonerate parties to a transaction from exercising all their rights and obligations under the transaction documents. This document cannot be reproduced except in full, without prior written approval of the Company. Any unauthorized alteration, forgery or falsification of the content or appearance of this document is unlawful and offenders may be prosecuted to the fullest extent of the law.

ID: 007

Report No. :TESA2303000153EN

LTE Band 17 (10M)_Body_Back Surface_CH 23780_QPSK_1-0_5mm_Ant0

Communication System: LTE; Frequency: 709 MHz; Duty cycle= 1:1

Medium parameters used: $f = 709 \text{ MHz}$; $\sigma = 0.864 \text{ S/m}$; $\epsilon_r = 42.493$; $\rho = 1000 \text{ kg/m}^3$

Phantom section: Flat Section

Ambient temperature: 22.3°C; Liquid temperature: 22.0°C

DASY5 Configuration:

- Probe: EX3DV4 - SN7642; ConvF(9.94, 9.88, 10.08) @ 709 MHz; Calibrated: 2023/2/20
- Sensor-Surface: 2mm (Mechanical Surface Detection)
- Electronics: DAE4 Sn1260; Calibrated: 2022/9/22
- Phantom: SAM
- DASY52 52.10.4(1527); SEMCAD X 14.6.14(7483)

Area Scan (91x151x1): Interpolated grid: dx=15 mm, dy=15 mm

Maximum value of SAR (interpolated) = 0.727 W/kg

Zoom Scan (5x5x7)/Cube 0: Measurement grid: dx=8mm, dy=8mm, dz=5mm

Reference Value = 9.992 V/m; Power Drift = -0.03 dB

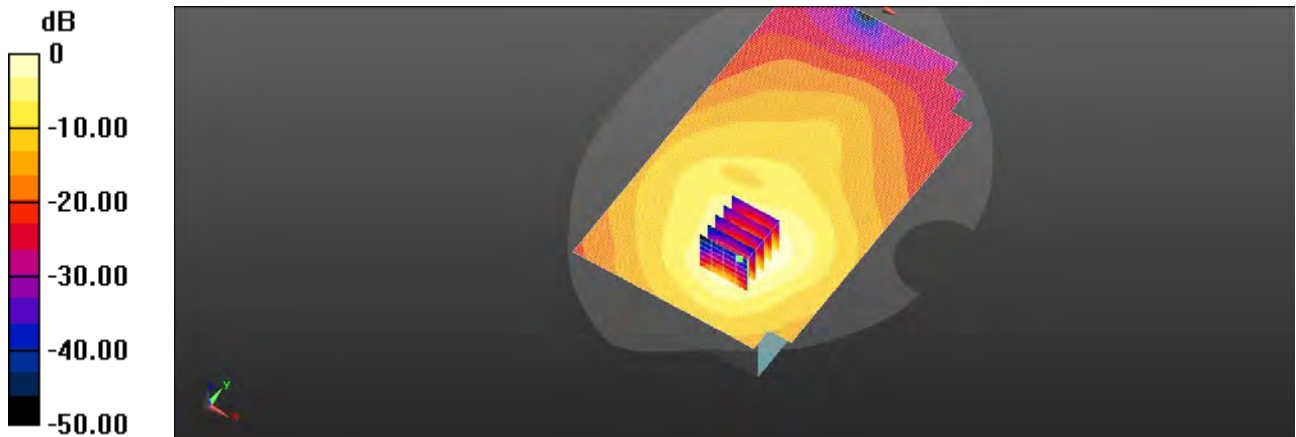
Peak SAR (extrapolated) = 0.826 W/kg

SAR(1 g) = 0.599 W/kg; SAR(10 g) = 0.428 W/kg

Smallest distance from peaks to all points 3 dB below = 15.8 mm

Ratio of SAR at M2 to SAR at M1 = 77.2%

Maximum value of SAR (measured) = 0.706 W/kg



0 dB = 0.727 W/kg = -1.39 dBW/kg

Unless otherwise stated the results shown in this test report refer only to the sample(s) tested and such sample(s) are retained for 90 days only.

除非另有說明，此報告結果僅對測試之樣品負責，同時此樣品僅保留90天。本報告未經本公司書面許可，不可部份複製。

This document is issued by the Company subject to its General Conditions of Service printed overleaf, available on request or accessible at <http://www.sgs.com.tw/Terms-and-Conditions> and for electronic format documents, subject to Terms and Conditions for Electronic Documents at <http://www.sgs.com.tw/Terms-and-Conditions>. Attention is drawn to the limitation of liability, indemnification and jurisdiction issues defined therein. Any holder of this document is advised that information contained hereon reflects the Company's findings at the time of its intervention only and within the limits of Client's instructions, if any. The Company's sole responsibility is to its Client and this document does not exonerate parties to a transaction from exercising all their rights and obligations under the transaction documents. This document cannot be reproduced except in full, without prior written approval of the Company. Any unauthorized alteration, forgery or falsification of the content or appearance of this document is unlawful and offenders may be prosecuted to the fullest extent of the law.

ID: 008

Report No. :TESA2303000153EN

LTE Band 25 (20M)_Body_Top Edge_CH 26365_QPSK_1-0_5mm_Ant0

Communication System: LTE; Frequency: 1882.5 MHz; Duty cycle= 1:1

Medium parameters used: $f = 1882.5$ MHz; $\sigma = 1.423$ S/m; $\epsilon_r = 38.998$; $\rho = 1000$ kg/m³

Phantom section: Flat Section

Ambient temperature: 22.5°C; Liquid temperature: 22.2°C

DASY5 Configuration:

- Probe: EX3DV4 - SN7642; ConvF(8.17, 8.08, 8.11) @ 1882.5 MHz; Calibrated: 2023/2/20
- Sensor-Surface: 2mm (Mechanical Surface Detection)
- Electronics: DAE4 Sn1260; Calibrated: 2022/9/22
- Phantom: SAM
- DASY52 52.10.4(1527); SEMCAD X 14.6.14(7483)

Area Scan (51x81x1): Interpolated grid: dx=15 mm, dy=15 mm

Maximum value of SAR (interpolated) = 0.629 W/kg

Zoom Scan (5x5x7)/Cube 0: Measurement grid: dx=8mm, dy=8mm, dz=5mm

Reference Value = 11.97 V/m; Power Drift = 0.17 dB

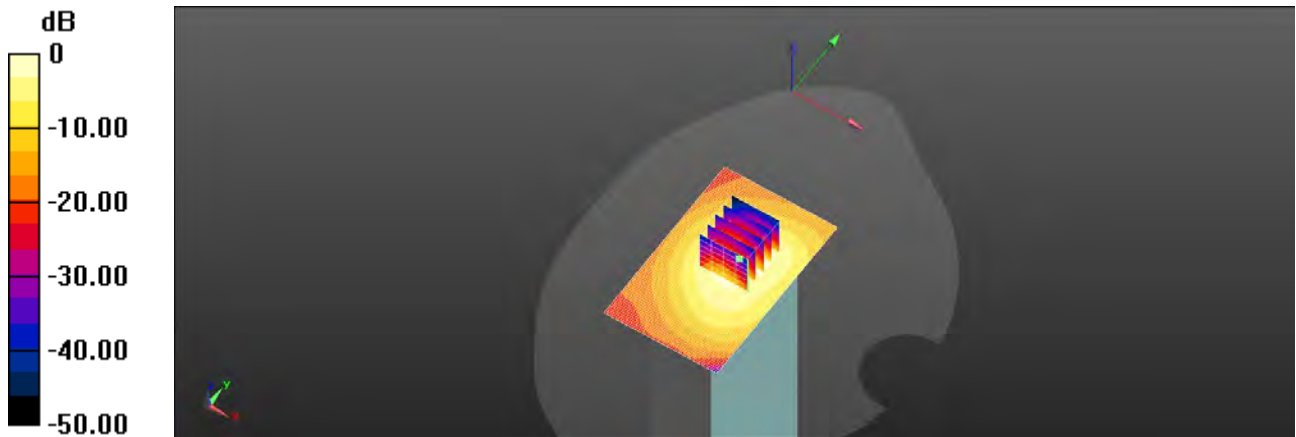
Peak SAR (extrapolated) = 0.713 W/kg

SAR(1 g) = 0.501 W/kg; SAR(10 g) = 0.311 W/kg

Smallest distance from peaks to all points 3 dB below = 12.9 mm

Ratio of SAR at M2 to SAR at M1 = 72.2%

Maximum value of SAR (measured) = 0.627 W/kg



0 dB = 0.629 W/kg = -2.01 dBW/kg

Unless otherwise stated the results shown in this test report refer only to the sample(s) tested and such sample(s) are retained for 90 days only.

除非另有說明，此報告結果僅對測試之樣品負責，同時此樣品僅保留90天。本報告未經本公司書面許可，不可部份複製。

This document is issued by the Company subject to its General Conditions of Service printed overleaf, available on request or accessible at <http://www.sgs.com.tw/Terms-and-Conditions> and for electronic format documents, subject to Terms and Conditions for Electronic Documents at <http://www.sgs.com.tw/Terms-and-Conditions>. Attention is drawn to the limitation of liability, indemnification and jurisdiction issues defined therein. Any holder of this document is advised that information contained hereon reflects the Company's findings at the time of its intervention only and within the limits of Client's instructions, if any. The Company's sole responsibility is to its Client and this document does not exonerate parties to a transaction from exercising all their rights and obligations under the transaction documents. This document cannot be reproduced except in full, without prior written approval of the Company. Any unauthorized alteration, forgery or falsification of the content or appearance of this document is unlawful and offenders may be prosecuted to the fullest extent of the law.

ID: 009

Report No. :TESA2303000153EN

LTE Band 26 (15M)_Body_Back Surface_CH 26765_QPSK_1-0_5mm_Ant0_FCC

Communication System: LTE; Frequency: 821.5 MHz; Duty cycle= 1:1

Medium parameters used: $f = 821.5$ MHz; $\sigma = 0.877$ S/m; $\epsilon_r = 40.998$; $\rho = 1000$ kg/m³

Phantom section: Flat Section

Ambient temperature: 22.0°C; Liquid temperature: 21.7°C

DASY5 Configuration:

- Probe: EX3DV4 - SN7642; ConvF(9.95, 9.92, 9.79) @ 821.5 MHz; Calibrated: 2023/2/20
- Sensor-Surface: 2mm (Mechanical Surface Detection)
- Electronics: DAE4 Sn1260; Calibrated: 2022/9/22
- Phantom: SAM
- DASY52 52.10.4(1527); SEMCAD X 14.6.14(7483)

Area Scan (91x151x1): Interpolated grid: dx=15 mm, dy=15 mm

Maximum value of SAR (interpolated) = 0.539 W/kg

Zoom Scan (5x5x7)/Cube 0: Measurement grid: dx=8mm, dy=8mm, dz=5mm

Reference Value = 6.331 V/m; Power Drift = -0.18 dB

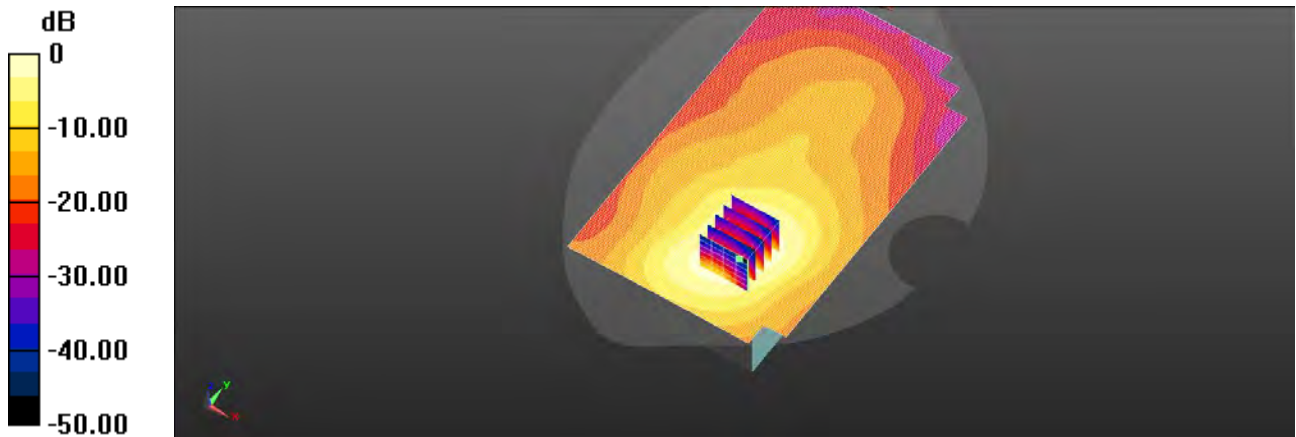
Peak SAR (extrapolated) = 0.600 W/kg

SAR(1 g) = 0.440 W/kg; SAR(10 g) = 0.304 W/kg

Smallest distance from peaks to all points 3 dB below = 13.8 mm

Ratio of SAR at M2 to SAR at M1 = 75%

Maximum value of SAR (measured) = 0.527 W/kg



0 dB = 0.539 W/kg = -2.68 dBW/kg

Unless otherwise stated the results shown in this test report refer only to the sample(s) tested and such sample(s) are retained for 90 days only.

除非另有說明，此報告結果僅對測試之樣品負責，同時此樣品僅保留90天。本報告未經本公司書面許可，不可部份複製。

This document is issued by the Company subject to its General Conditions of Service printed overleaf, available on request or accessible at <http://www.sgs.com.tw/Terms-and-Conditions> and for electronic format documents, subject to Terms and Conditions for Electronic Documents at <http://www.sgs.com.tw/Terms-and-Conditions>. Attention is drawn to the limitation of liability, indemnification and jurisdiction issues defined therein. Any holder of this document is advised that information contained hereon reflects the Company's findings at the time of its intervention only and within the limits of Client's instructions, if any. The Company's sole responsibility is to its Client and this document does not exonerate parties to a transaction from exercising all their rights and obligations under the transaction documents. This document cannot be reproduced except in full, without prior written approval of the Company. Any unauthorized alteration, forgery or falsification of the content or appearance of this document is unlawful and offenders may be prosecuted to the fullest extent of the law.

ID: 011

Report No. :TESA2303000153EN

LTE Band 66 (20M)_Body_Back Surface_CH 132072_QPSK_1-0_5mm_Ant0

Communication System: LTE; Frequency: 1720 MHz; Duty cycle= 1:1

Medium parameters used: $f = 1720$ MHz; $\sigma = 1.298$ S/m; $\epsilon_r = 39.239$; $\rho = 1000$ kg/m³

Phantom section: Flat Section

Ambient temperature: 22.3°C; Liquid temperature: 22.1°C

DASY5 Configuration:

- Probe: EX3DV4 - SN7642; ConvF(8.5, 8.42, 8.36) @ 1720 MHz; Calibrated: 2023/2/20
- Sensor-Surface: 2mm (Mechanical Surface Detection)
- Electronics: DAE4 Sn1260; Calibrated: 2022/9/22
- Phantom: SAM
- DASY52 52.10.4(1527); SEMCAD X 14.6.14(7483)

Area Scan (91x151x1): Interpolated grid: dx=15 mm, dy=15 mm

Maximum value of SAR (interpolated) = 0.713 W/kg

Zoom Scan (5x5x7)/Cube 0: Measurement grid: dx=8mm, dy=8mm, dz=5mm

Reference Value = 4.759 V/m; Power Drift = -0.14 dB

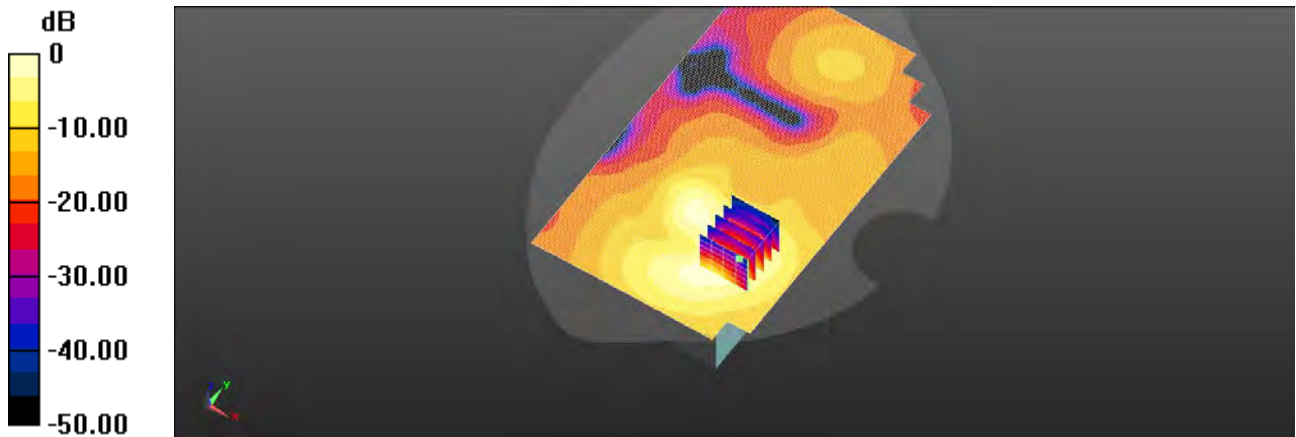
Peak SAR (extrapolated) = 0.873 W/kg

SAR(1 g) = 0.609 W/kg; SAR(10 g) = 0.370 W/kg

Smallest distance from peaks to all points 3 dB below = 12.2 mm

Ratio of SAR at M2 to SAR at M1 = 72.9%

Maximum value of SAR (measured) = 0.754 W/kg



0 dB = 0.713 W/kg = -1.47 dBW/kg

Unless otherwise stated the results shown in this test report refer only to the sample(s) tested and such sample(s) are retained for 90 days only.

除非另有說明，此報告結果僅對測試之樣品負責，同時此樣品僅保留90天。本報告未經本公司書面許可，不可部份複製。

This document is issued by the Company subject to its General Conditions of Service printed overleaf, available on request or accessible at <http://www.sgs.com.tw/Terms-and-Conditions> and for electronic format documents, subject to Terms and Conditions for Electronic Documents at <http://www.sgs.com.tw/Terms-and-Conditions>. Attention is drawn to the limitation of liability, indemnification and jurisdiction issues defined therein. Any holder of this document is advised that information contained hereon reflects the Company's findings at the time of its intervention only and within the limits of Client's instructions, if any. The Company's sole responsibility is to its Client and this document does not exonerate parties to a transaction from exercising all their rights and obligations under the transaction documents. This document cannot be reproduced except in full, without prior written approval of the Company. Any unauthorized alteration, forgery or falsification of the content or appearance of this document is unlawful and offenders may be prosecuted to the fullest extent of the law.

ID: 012

Report No. :TESA2303000153EN

LTE Band 71 (20M)_Body_Back Surface_CH 133297_QPSK_1-0_5mm_Ant0

Communication System: LTE; Frequency: 680.5 MHz; Duty cycle= 1:1

Medium parameters used: $f = 680.5 \text{ MHz}$; $\sigma = 0.852 \text{ S/m}$; $\epsilon_r = 42.756$; $\rho = 1000 \text{ kg/m}^3$

Phantom section: Flat Section

Ambient temperature: 22.3°C; Liquid temperature: 22.0°C

DASY5 Configuration:

- Probe: EX3DV4 - SN7642; ConvF(9.94, 9.88, 10.08) @ 680.5 MHz; Calibrated: 2023/2/20
- Sensor-Surface: 2mm (Mechanical Surface Detection)
- Electronics: DAE4 Sn1260; Calibrated: 2022/9/22
- Phantom: SAM
- DASY52 52.10.4(1527); SEMCAD X 14.6.14(7483)

Area Scan (91x151x1): Interpolated grid: dx=15 mm, dy=15 mm

Maximum value of SAR (interpolated) = 0.861 W/kg

Zoom Scan (5x5x7)/Cube 0: Measurement grid: dx=8mm, dy=8mm, dz=5mm

Reference Value = 19.35 V/m; Power Drift = 0.01 dB

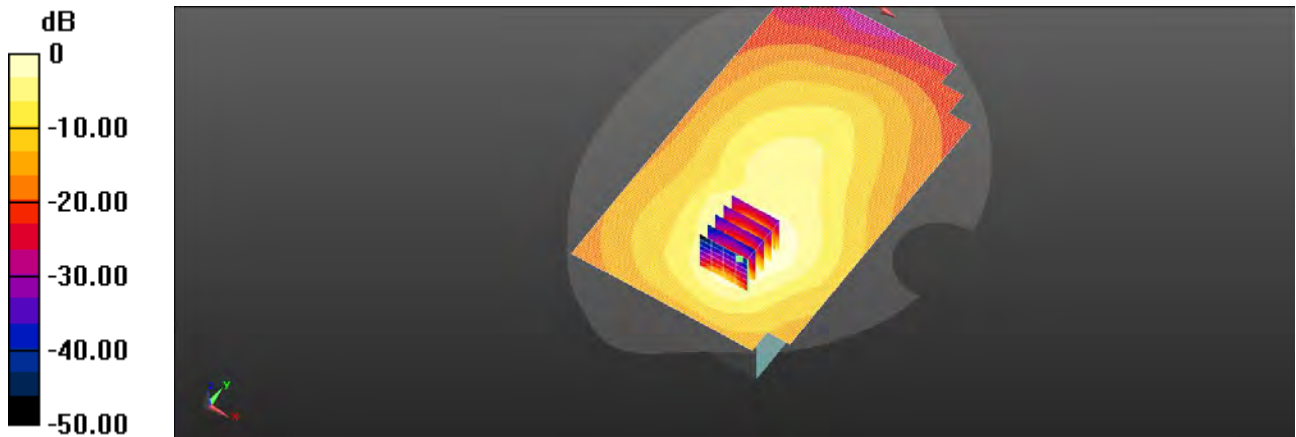
Peak SAR (extrapolated) = 0.962 W/kg

SAR(1 g) = 0.693 W/kg; SAR(10 g) = 0.504 W/kg

Smallest distance from peaks to all points 3 dB below = 15.1 mm

Ratio of SAR at M2 to SAR at M1 = 76.7%

Maximum value of SAR (measured) = 0.819 W/kg



0 dB = 0.861 W/kg = -0.65 dBW/kg

Unless otherwise stated the results shown in this test report refer only to the sample(s) tested and such sample(s) are retained for 90 days only.

除非另有說明，此報告結果僅對測試之樣品負責，同時此樣品僅保留90天。本報告未經本公司書面許可，不可部份複製。

This document is issued by the Company subject to its General Conditions of Service printed overleaf, available on request or accessible at <http://www.sgs.com.tw/Terms-and-Conditions> and for electronic format documents, subject to Terms and Conditions for Electronic Documents at <http://www.sgs.com.tw/Terms-and-Conditions>. Attention is drawn to the limitation of liability, indemnification and jurisdiction issues defined therein. Any holder of this document is advised that information contained hereon reflects the Company's findings at the time of its intervention only and within the limits of Client's instructions, if any. The Company's sole responsibility is to its Client and this document does not exonerate parties to a transaction from exercising all their rights and obligations under the transaction documents. This document cannot be reproduced except in full, without prior written approval of the Company. Any unauthorized alteration, forgery or falsification of the content or appearance of this document is unlawful and offenders may be prosecuted to the fullest extent of the law.

ID: 013

Report No. :TESA2303000153EN

NR n2 (20MHz)_Body_Top Edge_CH 372000_Pi/2 BPSK_1-1_5mm_Ant0

Communication System: 5G NR(20MHz,Pi/2 BPSK, 15kHz); Frequency: 1860 MHz; Duty cycle= 1:1

Medium parameters used: $f = 1860 \text{ MHz}$; $\sigma = 1.406 \text{ S/m}$; $\epsilon_r = 39.013$; $\rho = 1000 \text{ kg/m}^3$

Phantom section: Flat Section

Ambient temperature: 22.5°C; Liquid temperature: 22.2°C

DASY5 Configuration:

- Probe: EX3DV4 - SN7642; ConvF(8.17, 8.08, 8.11) @ 1860 MHz; Calibrated: 2023/2/20
- Sensor-Surface: 2mm (Mechanical Surface Detection)
- Electronics: DAE4 Sn1260; Calibrated: 2022/9/22
- Phantom: SAM
- DASY52 52.10.4(1527); SEMCAD X 14.6.14(7483)

Area Scan (51x81x1): Interpolated grid: dx=15 mm, dy=15 mm

Maximum value of SAR (interpolated) = 0.594 W/kg

Zoom Scan (5x5x7)/Cube 0: Measurement grid: dx=8mm, dy=8mm, dz=5mm

Reference Value = 11.81 V/m; Power Drift = 0.17 dB

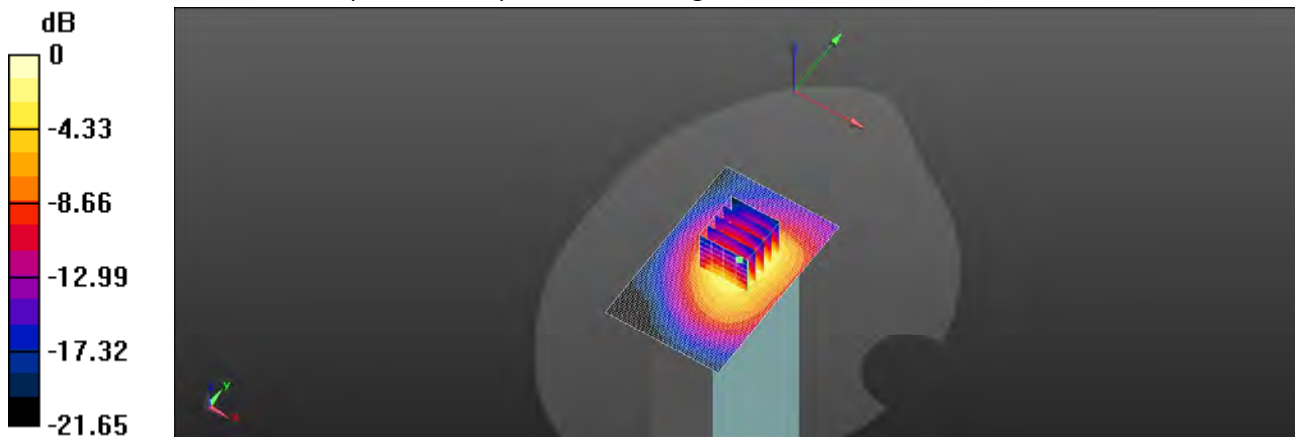
Peak SAR (extrapolated) = 0.676 W/kg

SAR(1 g) = 0.464 W/kg; SAR(10 g) = 0.282 W/kg

Smallest distance from peaks to all points 3 dB below = 12.2 mm

Ratio of SAR at M2 to SAR at M1 = 70.7%

Maximum value of SAR (measured) = 0.580 W/kg



0 dB = 0.594 W/kg = -2.26 dBW/kg

Unless otherwise stated the results shown in this test report refer only to the sample(s) tested and such sample(s) are retained for 90 days only.

除非另有說明，此報告結果僅對測試之樣品負責，同時此樣品僅保留90天。本報告未經本公司書面許可，不可部份複製。

This document is issued by the Company subject to its General Conditions of Service printed overleaf, available on request or accessible at <http://www.sgs.com.tw/Terms-and-Conditions> and for electronic format documents, subject to Terms and Conditions for Electronic Documents at <http://www.sgs.com.tw/Terms-and-Conditions>. Attention is drawn to the limitation of liability, indemnification and jurisdiction issues defined therein. Any holder of this document is advised that information contained hereon reflects the Company's findings at the time of its intervention only and within the limits of Client's instructions, if any. The Company's sole responsibility is to its Client and this document does not exonerate parties to a transaction from exercising all their rights and obligations under the transaction documents. This document cannot be reproduced except in full, without prior written approval of the Company. Any unauthorized alteration, forgery or falsification of the content or appearance of this document is unlawful and offenders may be prosecuted to the fullest extent of the law.

ID: 014

Report No. :TESA2303000153EN

NR n5 (20MHz)_Body_Back Surface_CH 166800_Pi/2 BPSK_1-1_5mm_Ant0

Communication System: 5G NR(20MHz,Pi/2 BPSK, 15kHz); Frequency: 834 MHz; Duty cycle= 1:1

Medium parameters used: $f = 834 \text{ MHz}$; $\sigma = 0.877 \text{ S/m}$; $\epsilon_r = 40.491$; $\rho = 1000 \text{ kg/m}^3$

Phantom section: Flat Section

Ambient temperature: 21.8°C; Liquid temperature: 21.5°C

DASY5 Configuration:

- Probe: EX3DV4 - SN7642; ConvF(9.95, 9.92, 9.79) @ 834 MHz; Calibrated: 2023/2/20
- Sensor-Surface: 2mm (Mechanical Surface Detection)
- Electronics: DAE4 Sn1260; Calibrated: 2022/9/22
- Phantom: SAM
- DASY52 52.10.4(1527); SEMCAD X 14.6.14(7483)

Area Scan (91x151x1): Interpolated grid: dx=15 mm, dy=15 mm

Maximum value of SAR (interpolated) = 0.347 W/kg

Zoom Scan (5x5x7)/Cube 0: Measurement grid: dx=8mm, dy=8mm, dz=5mm

Reference Value = 4.938 V/m; Power Drift = 0.11 dB

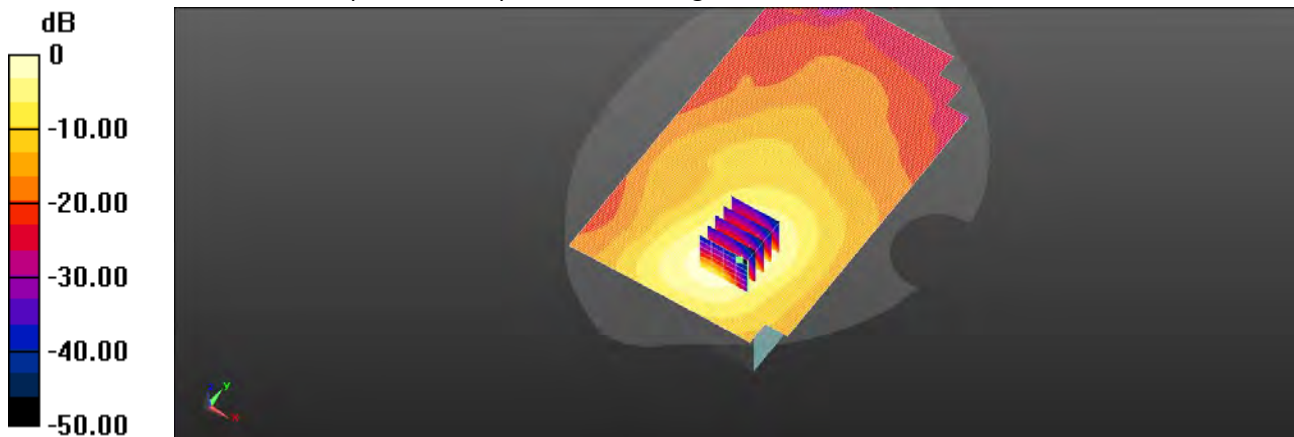
Peak SAR (extrapolated) = 0.400 W/kg

SAR(1 g) = 0.286 W/kg; SAR(10 g) = 0.195 W/kg

Smallest distance from peaks to all points 3 dB below = 13.6 mm

Ratio of SAR at M2 to SAR at M1 = 74.4%

Maximum value of SAR (measured) = 0.341 W/kg



0 dB = 0.347 W/kg = -4.60 dBW/kg

Unless otherwise stated the results shown in this test report refer only to the sample(s) tested and such sample(s) are retained for 90 days only.

除非另有說明，此報告結果僅對測試之樣品負責，同時此樣品僅保留90天。本報告未經本公司書面許可，不可部份複製。

This document is issued by the Company subject to its General Conditions of Service printed overleaf, available on request or accessible at <http://www.sgs.com.tw/Terms-and-Conditions> and for electronic format documents, subject to Terms and Conditions for Electronic Documents at <http://www.sgs.com.tw/Terms-and-Conditions>. Attention is drawn to the limitation of liability, indemnification and jurisdiction issues defined therein. Any holder of this document is advised that information contained hereon reflects the Company's findings at the time of its intervention only and within the limits of Client's instructions, if any. The Company's sole responsibility is to its Client and this document does not exonerate parties to a transaction from exercising all their rights and obligations under the transaction documents. This document cannot be reproduced except in full, without prior written approval of the Company. Any unauthorized alteration, forgery or falsification of the content or appearance of this document is unlawful and offenders may be prosecuted to the fullest extent of the law.

ID: 015

Report No. :TESA2303000153EN

NR n12 (15MHz)_Body_Back Surface_CH 141300_Pi/2 BPSK_1-1_5mm_Ant0

Communication System: 5G NR(15 MHz, Pi/2 BPSK, 15KHz; Frequency: 706.5 MHz; Duty cycle= 1:1

Medium parameters used: $f = 706.5 \text{ MHz}$; $\sigma = 0.862 \text{ S/m}$; $\epsilon_r = 42.638$; $\rho = 1000 \text{ kg/m}^3$

Phantom section: Flat Section

Ambient temperature: 22.3°C; Liquid temperature: 22.0°C

DASY5 Configuration:

- Probe: EX3DV4 - SN7642; ConvF(9.94, 9.88, 10.08) @ 706.5 MHz; Calibrated: 2023/2/20
- Sensor-Surface: 2mm (Mechanical Surface Detection)
- Electronics: DAE4 Sn1260; Calibrated: 2022/9/22
- Phantom: SAM
- DASY52 52.10.4(1527); SEMCAD X 14.6.14(7483)

Area Scan (91x151x1): Interpolated grid: dx=15 mm, dy=15 mm

Maximum value of SAR (interpolated) = 0.544 W/kg

Zoom Scan (5x5x7)/Cube 0: Measurement grid: dx=8mm, dy=8mm, dz=5mm

Reference Value = 8.028 V/m; Power Drift = 0.12 dB

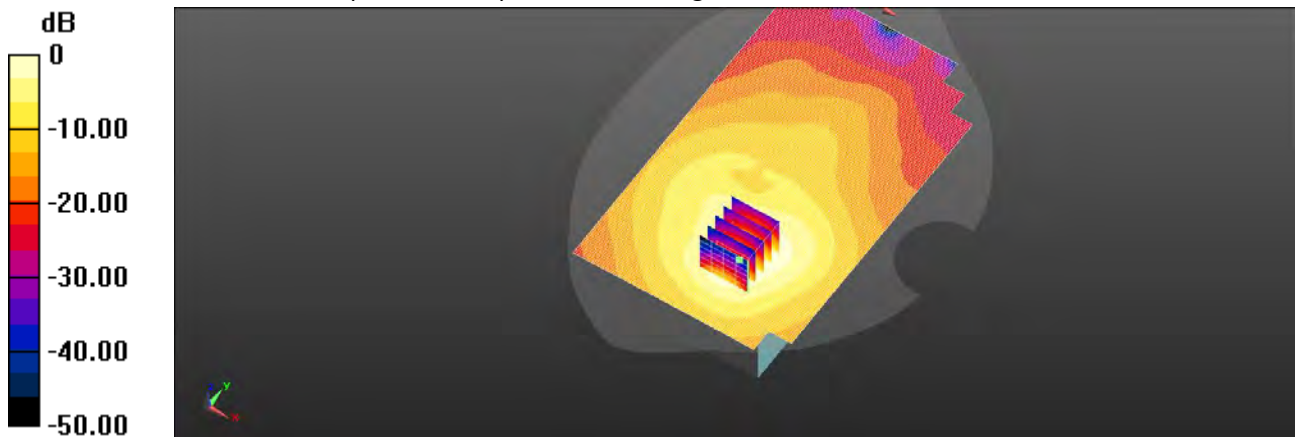
Peak SAR (extrapolated) = 0.614 W/kg

SAR(1 g) = 0.445 W/kg; SAR(10 g) = 0.319 W/kg

Smallest distance from peaks to all points 3 dB below = 15.8 mm

Ratio of SAR at M2 to SAR at M1 = 77.1%

Maximum value of SAR (measured) = 0.524 W/kg



0 dB = 0.544 W/kg = -2.64 dBW/kg

Unless otherwise stated the results shown in this test report refer only to the sample(s) tested and such sample(s) are retained for 90 days only.

除非另有說明，此報告結果僅對測試之樣品負責，同時此樣品僅保留90天。本報告未經本公司書面許可，不可部份複製。

This document is issued by the Company subject to its General Conditions of Service printed overleaf, available on request or accessible at <http://www.sgs.com.tw/Terms-and-Conditions> and for electronic format documents, subject to Terms and Conditions for Electronic Documents at <http://www.sgs.com.tw/Terms-and-Conditions>. Attention is drawn to the limitation of liability, indemnification and jurisdiction issues defined therein. Any holder of this document is advised that information contained hereon reflects the Company's findings at the time of its intervention only and within the limits of Client's instructions, if any. The Company's sole responsibility is to its Client and this document does not exonerate parties to a transaction from exercising all their rights and obligations under the transaction documents. This document cannot be reproduced except in full, without prior written approval of the Company. Any unauthorized alteration, forgery or falsification of the content or appearance of this document is unlawful and offenders may be prosecuted to the fullest extent of the law.

ID: 016

Report No. :TESA2303000153EN

NR n13 (10MHz)_Body_Back Surface_CH 156400_Pi/2 BPSK_1-1_5mm_Ant0

Communication System: 5G NR(10MHz,Pi/2 BPSK, 15kHz); Frequency: 782 MHz; Duty cycle= 1:1

Medium parameters used: $f = 782 \text{ MHz}$; $\sigma = 0.909 \text{ S/m}$; $\epsilon_r = 42.253$; $\rho = 1000 \text{ kg/m}^3$

Phantom section: Flat Section

Ambient temperature: 22.4°C; Liquid temperature: 22.1°C

DASY5 Configuration:

- Probe: EX3DV4 - SN7642; ConvF(9.94, 9.88, 10.08) @ 782 MHz; Calibrated: 2023/2/20
- Sensor-Surface: 2mm (Mechanical Surface Detection)
- Electronics: DAE4 Sn1260; Calibrated: 2022/9/22
- Phantom: SAM
- DASY52 52.10.4(1527); SEMCAD X 14.6.14(7483)

Area Scan (91x151x1): Interpolated grid: dx=15 mm, dy=15 mm

Maximum value of SAR (interpolated) = 0.390 W/kg

Zoom Scan (5x5x7)/Cube 0: Measurement grid: dx=8mm, dy=8mm, dz=5mm

Reference Value = 9.432 V/m; Power Drift = 0.04 dB

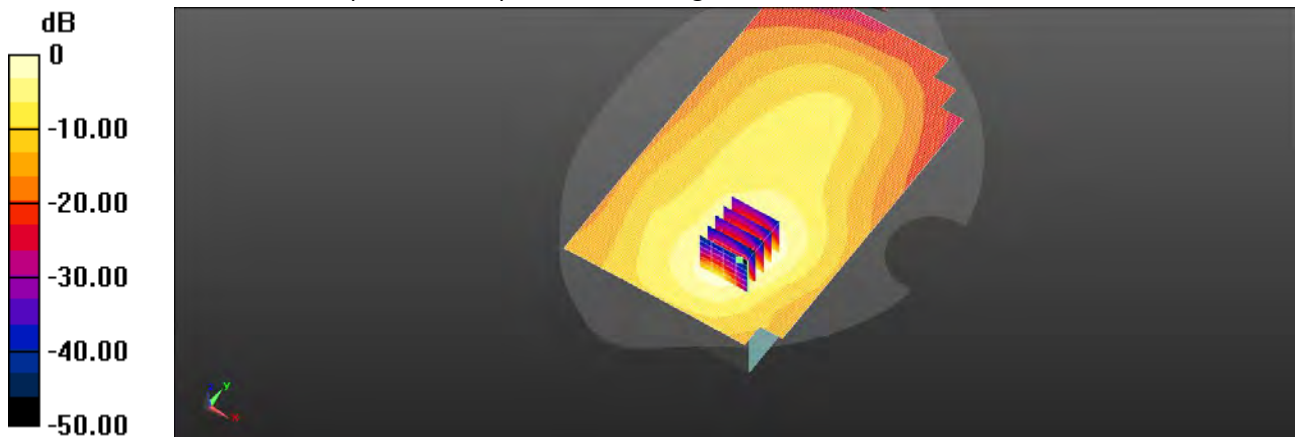
Peak SAR (extrapolated) = 0.424 W/kg

SAR(1 g) = 0.318 W/kg; SAR(10 g) = 0.227 W/kg

Smallest distance from peaks to all points 3 dB below = 13.6 mm

Ratio of SAR at M2 to SAR at M1 = 79.2%

Maximum value of SAR (measured) = 0.370 W/kg



0 dB = 0.390 W/kg = -4.09 dBW/kg

Unless otherwise stated the results shown in this test report refer only to the sample(s) tested and such sample(s) are retained for 90 days only.

除非另有說明，此報告結果僅對測試之樣品負責，同時此樣品僅保留90天。本報告未經本公司書面許可，不可部份複製。

This document is issued by the Company subject to its General Conditions of Service printed overleaf, available on request or accessible at <http://www.sgs.com.tw/Terms-and-Conditions> and for electronic format documents, subject to Terms and Conditions for Electronic Documents at <http://www.sgs.com.tw/Terms-and-Conditions>. Attention is drawn to the limitation of liability, indemnification and jurisdiction issues defined therein. Any holder of this document is advised that information contained hereon reflects the Company's findings at the time of its intervention only and within the limits of Client's instructions, if any. The Company's sole responsibility is to its Client and this document does not exonerate parties to a transaction from exercising all their rights and obligations under the transaction documents. This document cannot be reproduced except in full, without prior written approval of the Company. Any unauthorized alteration, forgery or falsification of the content or appearance of this document is unlawful and offenders may be prosecuted to the fullest extent of the law.

ID: 017

Report No. :TESA2303000153EN

NR n14 (10MHz)_Body_Back Surface_CH 158600_Pi/2 BPSK_1-1_5mm_Ant0

Communication System: 5G NR(10MHz,Pi/2 BPSK, 15kHz); Frequency: 793 MHz; Duty cycle= 1:1

Medium parameters used: $f = 793 \text{ MHz}$; $\sigma = 0.917 \text{ S/m}$; $\epsilon_r = 42.172$; $\rho = 1000 \text{ kg/m}^3$

Phantom section: Flat Section

Ambient temperature: 22.4°C; Liquid temperature: 22.1°C

DASY5 Configuration:

- Probe: EX3DV4 - SN7642; ConvF(9.94, 9.88, 10.08) @ 793 MHz; Calibrated: 2023/2/20
- Sensor-Surface: 2mm (Mechanical Surface Detection)
- Electronics: DAE4 Sn1260; Calibrated: 2022/9/22
- Phantom: SAM
- DASY52 52.10.4(1527); SEMCAD X 14.6.14(7483)

Area Scan (91x151x1): Interpolated grid: dx=15 mm, dy=15 mm

Maximum value of SAR (interpolated) = 0.380 W/kg

Zoom Scan (5x5x7)/Cube 0: Measurement grid: dx=8mm, dy=8mm, dz=5mm

Reference Value = 8.257 V/m; Power Drift = -0.02 dB

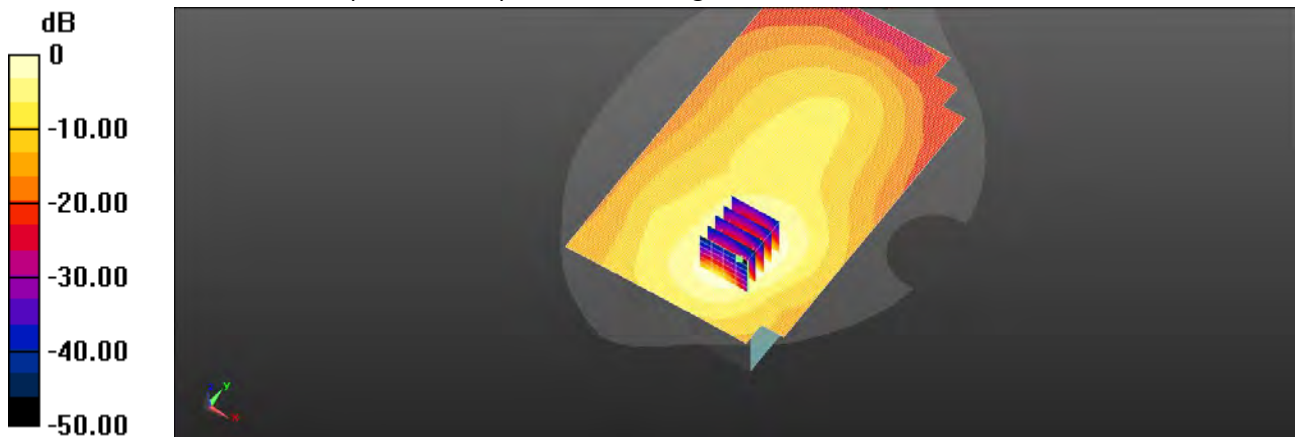
Peak SAR (extrapolated) = 0.408 W/kg

SAR(1 g) = 0.295 W/kg; SAR(10 g) = 0.206 W/kg

Smallest distance from peaks to all points 3 dB below = 13.6 mm

Ratio of SAR at M2 to SAR at M1 = 72.2%

Maximum value of SAR (measured) = 0.352 W/kg



0 dB = 0.380 W/kg = -4.21 dBW/kg

Unless otherwise stated the results shown in this test report refer only to the sample(s) tested and such sample(s) are retained for 90 days only.

除非另有說明，此報告結果僅對測試之樣品負責，同時此樣品僅保留90天。本報告未經本公司書面許可，不可部份複製。

This document is issued by the Company subject to its General Conditions of Service printed overleaf, available on request or accessible at <http://www.sgs.com.tw/Terms-and-Conditions> and for electronic format documents, subject to Terms and Conditions for Electronic Documents at <http://www.sgs.com.tw/Terms-and-Conditions>. Attention is drawn to the limitation of liability, indemnification and jurisdiction issues defined therein. Any holder of this document is advised that information contained hereon reflects the Company's findings at the time of its intervention only and within the limits of Client's instructions, if any. The Company's sole responsibility is to its Client and this document does not exonerate parties to a transaction from exercising all their rights and obligations under the transaction documents. This document cannot be reproduced except in full, without prior written approval of the Company. Any unauthorized alteration, forgery or falsification of the content or appearance of this document is unlawful and offenders may be prosecuted to the fullest extent of the law.

ID: 018

Report No. :TESA2303000153EN

NR n25 (40MHz)_Body_Top Edge_CH 376500_Pi/2 BPSK_1-1_5mm_Ant0

Communication System: 5G NR(40MHz,Pi/2 BPSK, 15kHz); Frequency: 1882.5 MHz;
Duty cycle= 1:1

Medium parameters used: $f = 1882.5 \text{ MHz}$; $\sigma = 1.417 \text{ S/m}$; $\epsilon_r = 39.136$; $\rho = 1000 \text{ kg/m}^3$

Phantom section: Flat Section

Ambient temperature: 22.3°C; Liquid temperature: 21.9°C

DASY5 Configuration:

- Probe: EX3DV4 - SN7642; ConvF(8.17, 8.08, 8.11) @ 1882.5 MHz; Calibrated: 2023/2/20
- Sensor-Surface: 2mm (Mechanical Surface Detection)
- Electronics: DAE4 Sn1260; Calibrated: 2022/9/22
- Phantom: SAM
- DASY52 52.10.4(1527); SEMCAD X 14.6.14(7483)

Area Scan (51x81x1): Interpolated grid: dx=15 mm, dy=15 mm

Maximum value of SAR (interpolated) = 0.475 W/kg

Zoom Scan (5x5x7)/Cube 0: Measurement grid: dx=8mm, dy=8mm, dz=5mm

Reference Value = 10.09 V/m; Power Drift = 0.07 dB

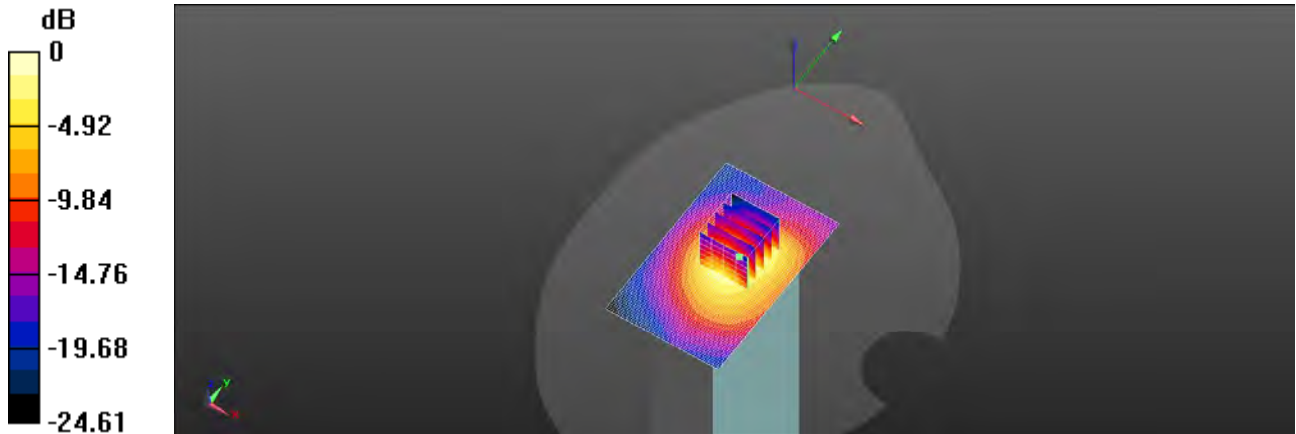
Peak SAR (extrapolated) = 0.524 W/kg

SAR(1 g) = 0.368 W/kg; SAR(10 g) = 0.228 W/kg

Smallest distance from peaks to all points 3 dB below = 12.8 mm

Ratio of SAR at M2 to SAR at M1 = 72.1%

Maximum value of SAR (measured) = 0.459 W/kg



0 dB = 0.475 W/kg = -3.23 dBW/kg

Unless otherwise stated the results shown in this test report refer only to the sample(s) tested and such sample(s) are retained for 90 days only.

除非另有說明，此報告結果僅對測試之樣品負責，同時此樣品僅保留90天。本報告未經本公司書面許可，不可部份複製。

This document is issued by the Company subject to its General Conditions of Service printed overleaf, available on request or accessible at <http://www.sgs.com.tw/Terms-and-Conditions> and for electronic format documents, subject to Terms and Conditions for Electronic Documents at <http://www.sgs.com.tw/Terms-and-Conditions>. Attention is drawn to the limitation of liability, indemnification and jurisdiction issues defined therein. Any holder of this document is advised that information contained hereon reflects the Company's findings at the time of its intervention only and within the limits of Client's instructions, if any. The Company's sole responsibility is to its Client and this document does not exonerate parties to a transaction from exercising all their rights and obligations under the transaction documents. This document cannot be reproduced except in full, without prior written approval of the Company. Any unauthorized alteration, forgery or falsification of the content or appearance of this document is unlawful and offenders may be prosecuted to the fullest extent of the law.

ID: 019

Report No. :TESA2303000153EN

NR n26 (20MHz)_Body_Back Surface_CH 164800_Pi/2 BPSK_1-1_5mm_Ant0

Communication System: 5G NR(20MHz,Pi/2 BPSK, 15kHz); Frequency: 824 MHz; Duty cycle= 1:1

Medium parameters used: $f = 824 \text{ MHz}$; $\sigma = 0.871 \text{ S/m}$; $\epsilon_r = 40.568$; $\rho = 1000 \text{ kg/m}^3$

Phantom section: Flat Section

Ambient temperature: 21.8°C; Liquid temperature: 21.5°C

DASY5 Configuration:

- Probe: EX3DV4 - SN7642; ConvF(9.95, 9.92, 9.79) @ 824 MHz; Calibrated: 2023/2/20
- Sensor-Surface: 2mm (Mechanical Surface Detection)
- Electronics: DAE4 Sn1260; Calibrated: 2022/9/22
- Phantom: SAM
- DASY52 52.10.4(1527); SEMCAD X 14.6.14(7483)

Area Scan (91x151x1): Interpolated grid: dx=15 mm, dy=15 mm

Maximum value of SAR (interpolated) = 0.373 W/kg

Zoom Scan (5x5x7)/Cube 0: Measurement grid: dx=8mm, dy=8mm, dz=5mm

Reference Value = 4.688 V/m; Power Drift = -0.15 dB

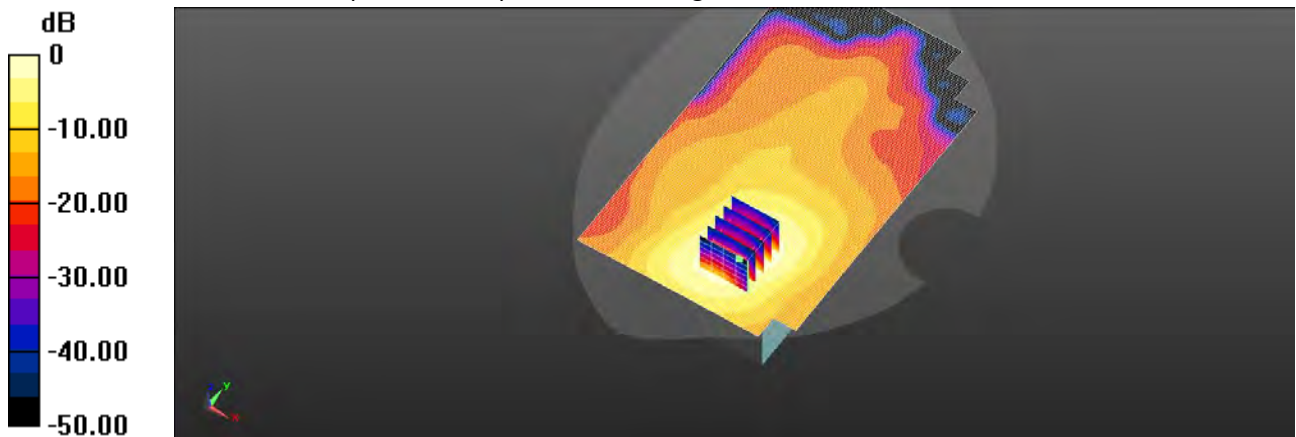
Peak SAR (extrapolated) = 0.423 W/kg

SAR(1 g) = 0.295 W/kg; SAR(10 g) = 0.196 W/kg

Smallest distance from peaks to all points 3 dB below = 14.3 mm

Ratio of SAR at M2 to SAR at M1 = 70.1%

Maximum value of SAR (measured) = 0.368 W/kg



0 dB = 0.373 W/kg = -4.28 dBW/kg

Unless otherwise stated the results shown in this test report refer only to the sample(s) tested and such sample(s) are retained for 90 days only.

除非另有說明，此報告結果僅對測試之樣品負責，同時此樣品僅保留90天。本報告未經本公司書面許可，不可部份複製。

This document is issued by the Company subject to its General Conditions of Service printed overleaf, available on request or accessible at <http://www.sgs.com.tw/Terms-and-Conditions> and for electronic format documents, subject to Terms and Conditions for Electronic Documents at <http://www.sgs.com.tw/Terms-and-Conditions>. Attention is drawn to the limitation of liability, indemnification and jurisdiction issues defined therein. Any holder of this document is advised that information contained hereon reflects the Company's findings at the time of its intervention only and within the limits of Client's instructions, if any. The Company's sole responsibility is to its Client and this document does not exonerate parties to a transaction from exercising all their rights and obligations under the transaction documents. This document cannot be reproduced except in full, without prior written approval of the Company. Any unauthorized alteration, forgery or falsification of the content or appearance of this document is unlawful and offenders may be prosecuted to the fullest extent of the law.

ID: 020

Report No. :TESA2303000153EN

NR n66 (20MHz)_Body_Back Surface_CH 349000_Pi/2 BPSK_1-1_5mm_Ant0

Communication System: 5G NR(40MHz,Pi/2 BPSK, 15kHz); Frequency: 1745 MHz; Duty cycle= 1:1

Medium parameters used: $f = 1745 \text{ MHz}$; $\sigma = 1.317 \text{ S/m}$; $\epsilon_r = 39.209$; $\rho = 1000 \text{ kg/m}^3$

Phantom section: Flat Section

Ambient temperature: 22.3°C; Liquid temperature: 22.1°C

DASY5 Configuration:

- Probe: EX3DV4 - SN7642; ConvF(8.5, 8.42, 8.36) @ 1745 MHz; Calibrated: 2023/2/20
- Sensor-Surface: 2mm (Mechanical Surface Detection)
- Electronics: DAE4 Sn1260; Calibrated: 2022/9/22
- Phantom: SAM
- DASY52 52.10.4(1527); SEMCAD X 14.6.14(7483)

Area Scan (91x151x1): Interpolated grid: dx=15 mm, dy=15 mm

Maximum value of SAR (interpolated) = 0.510 W/kg

Zoom Scan (5x5x7)/Cube 0: Measurement grid: dx=8mm, dy=8mm, dz=5mm

Reference Value = 4.704 V/m; Power Drift = 0.17 dB

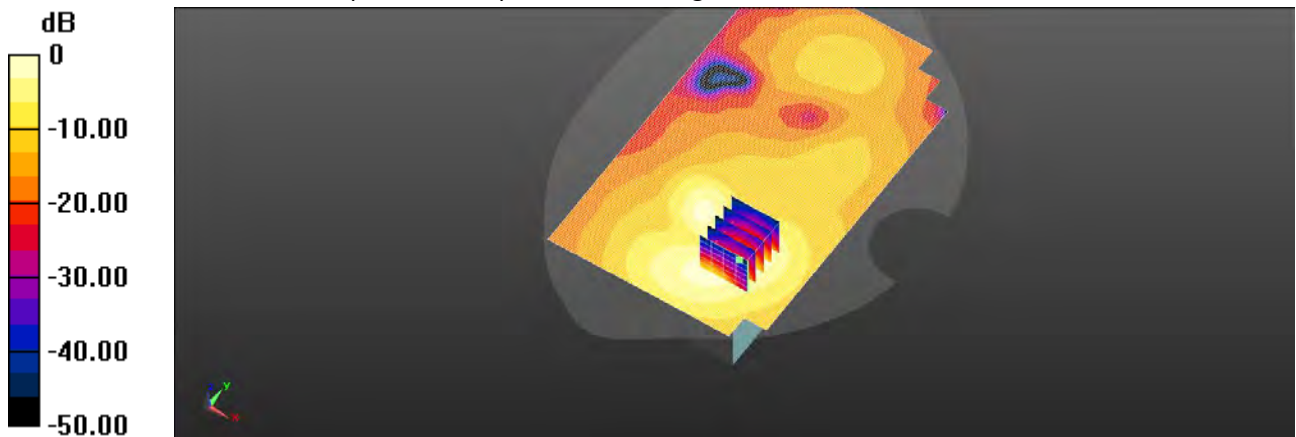
Peak SAR (extrapolated) = 0.615 W/kg

SAR(1 g) = 0.433 W/kg; SAR(10 g) = 0.266 W/kg

Smallest distance from peaks to all points 3 dB below = 12.5 mm

Ratio of SAR at M2 to SAR at M1 = 72.9%

Maximum value of SAR (measured) = 0.539 W/kg



0 dB = 0.510 W/kg = -2.93 dBW/kg

Unless otherwise stated the results shown in this test report refer only to the sample(s) tested and such sample(s) are retained for 90 days only.

除非另有說明，此報告結果僅對測試之樣品負責，同時此樣品僅保留90天。本報告未經本公司書面許可，不可部份複製。

This document is issued by the Company subject to its General Conditions of Service printed overleaf, available on request or accessible at <http://www.sgs.com.tw/Terms-and-Conditions> and for electronic format documents, subject to Terms and Conditions for Electronic Documents at <http://www.sgs.com.tw/Terms-and-Conditions>. Attention is drawn to the limitation of liability, indemnification and jurisdiction issues defined therein. Any holder of this document is advised that information contained hereon reflects the Company's findings at the time of its intervention only and within the limits of Client's instructions, if any. The Company's sole responsibility is to its Client and this document does not exonerate parties to a transaction from exercising all their rights and obligations under the transaction documents. This document cannot be reproduced except in full, without prior written approval of the Company. Any unauthorized alteration, forgery or falsification of the content or appearance of this document is unlawful and offenders may be prosecuted to the fullest extent of the law.

ID: 021

Report No. :TESA2303000153EN

NR n70 (15MHz)_Body_Back Surface_CH 340500_Pi/2 BPSK_1-1_5mm_Ant0

Communication System: 5G NR(15 MHz, Pi/2 BPSK, 15KHz; Frequency: 1702.5 MHz; Duty cycle= 1:1

Medium parameters used: $f = 1702.5 \text{ MHz}$; $\sigma = 1.293 \text{ S/m}$; $\epsilon_r = 39.431$; $\rho = 1000 \text{ kg/m}^3$

Phantom section: Flat Section

Ambient temperature: 22.2°C; Liquid temperature: 21.8°C

DASY5 Configuration:

- Probe: EX3DV4 - SN7642; ConvF(8.5, 8.42, 8.36) @ 1702.5 MHz; Calibrated: 2023/2/20
- Sensor-Surface: 2mm (Mechanical Surface Detection)
- Electronics: DAE4 Sn1260; Calibrated: 2022/9/22
- Phantom: SAM
- DASY52 52.10.4(1527); SEMCAD X 14.6.14(7483)

Area Scan (91x151x1): Interpolated grid: dx=15 mm, dy=15 mm

Maximum value of SAR (interpolated) = 0.508 W/kg

Zoom Scan (5x5x7)/Cube 0: Measurement grid: dx=8mm, dy=8mm, dz=5mm

Reference Value = 3.426 V/m; Power Drift = -0.11 dB

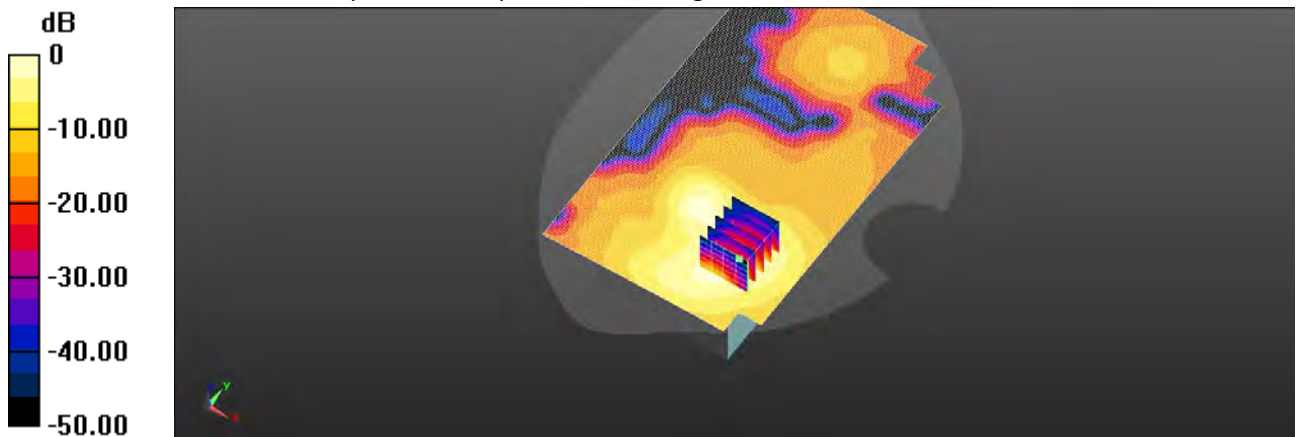
Peak SAR (extrapolated) = 0.640 W/kg

SAR(1 g) = 0.443 W/kg; SAR(10 g) = 0.266 W/kg

Smallest distance from peaks to all points 3 dB below = 11.3 mm

Ratio of SAR at M2 to SAR at M1 = 71.9%

Maximum value of SAR (measured) = 0.557 W/kg



0 dB = 0.508 W/kg = -2.94 dBW/kg

Unless otherwise stated the results shown in this test report refer only to the sample(s) tested and such sample(s) are retained for 90 days only.

除非另有說明，此報告結果僅對測試之樣品負責，同時此樣品僅保留90天。本報告未經本公司書面許可，不可部份複製。

This document is issued by the Company subject to its General Conditions of Service printed overleaf, available on request or accessible at <http://www.sgs.com.tw/Terms-and-Conditions> and for electronic format documents, subject to Terms and Conditions for Electronic Documents at <http://www.sgs.com.tw/Terms-and-Conditions>. Attention is drawn to the limitation of liability, indemnification and jurisdiction issues defined therein. Any holder of this document is advised that information contained hereon reflects the Company's findings at the time of its intervention only and within the limits of Client's instructions, if any. The Company's sole responsibility is to its Client and this document does not exonerate parties to a transaction from exercising all their rights and obligations under the transaction documents. This document cannot be reproduced except in full, without prior written approval of the Company. Any unauthorized alteration, forgery or falsification of the content or appearance of this document is unlawful and offenders may be prosecuted to the fullest extent of the law.

ID: 022

Report No. :TESA2303000153EN

NR n71 (20MHz)_Body_Back Surface_CH 137600_Pi/2 BPSK_1-1_5mm_Ant0

Communication System: 5G NR(20MHz,Pi/2 BPSK, 15kHz); Frequency: 688 MHz; Duty cycle= 1:1

Medium parameters used: $f = 688 \text{ MHz}$; $\sigma = 0.859 \text{ S/m}$; $\epsilon_r = 42.529$; $\rho = 1000 \text{ kg/m}^3$

Phantom section: Flat Section

Ambient temperature: 22.4°C; Liquid temperature: 22.1°C

DASY5 Configuration:

- Probe: EX3DV4 - SN7642; ConvF(9.94, 9.88, 10.08) @ 688 MHz; Calibrated: 2023/2/20
- Sensor-Surface: 2mm (Mechanical Surface Detection)
- Electronics: DAE4 Sn1260; Calibrated: 2022/9/22
- Phantom: SAM
- DASY52 52.10.4(1527); SEMCAD X 14.6.14(7483)

Area Scan (91x151x1): Interpolated grid: dx=15 mm, dy=15 mm

Maximum value of SAR (interpolated) = 0.798 W/kg

Zoom Scan (5x5x7)/Cube 0: Measurement grid: dx=8mm, dy=8mm, dz=5mm

Reference Value = 16.53 V/m; Power Drift = 0.01 dB

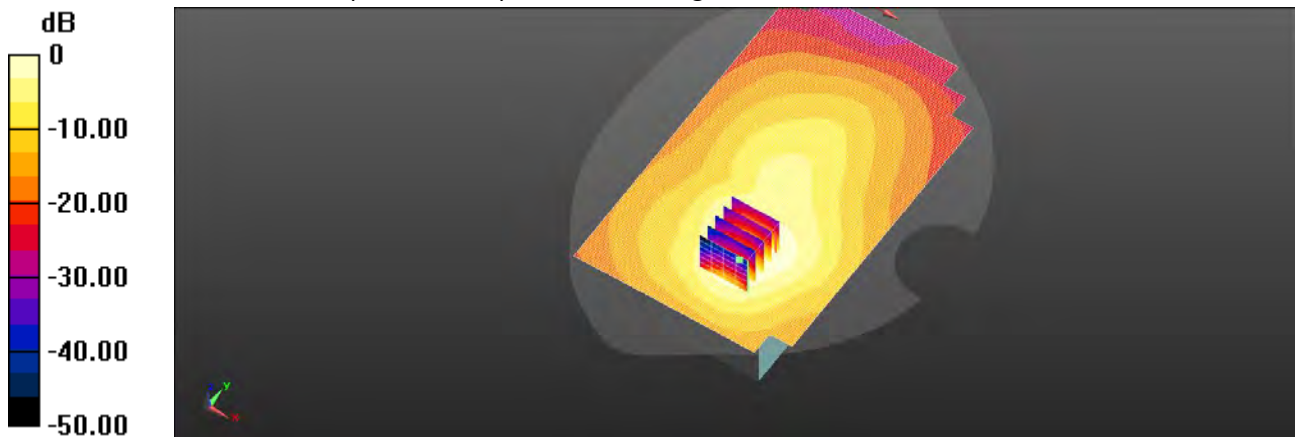
Peak SAR (extrapolated) = 0.919 W/kg

SAR(1 g) = 0.625 W/kg; SAR(10 g) = 0.440 W/kg

Smallest distance from peaks to all points 3 dB below = 14.8 mm

Ratio of SAR at M2 to SAR at M1 = 73.3%

Maximum value of SAR (measured) = 0.752 W/kg



0 dB = 0.798 W/kg = -0.98 dBW/kg

Unless otherwise stated the results shown in this test report refer only to the sample(s) tested and such sample(s) are retained for 90 days only.

除非另有說明，此報告結果僅對測試之樣品負責，同時此樣品僅保留90天。本報告未經本公司書面許可，不可部份複製。

This document is issued by the Company subject to its General Conditions of Service printed overleaf, available on request or accessible at <http://www.sgs.com.tw/Terms-and-Conditions> and for electronic format documents, subject to Terms and Conditions for Electronic Documents at <http://www.sgs.com.tw/Terms-and-Conditions>. Attention is drawn to the limitation of liability, indemnification and jurisdiction issues defined therein. Any holder of this document is advised that information contained hereon reflects the Company's findings at the time of its intervention only and within the limits of Client's instructions, if any. The Company's sole responsibility is to its Client and this document does not exonerate parties to a transaction from exercising all their rights and obligations under the transaction documents. This document cannot be reproduced except in full, without prior written approval of the Company. Any unauthorized alteration, forgery or falsification of the content or appearance of this document is unlawful and offenders may be prosecuted to the fullest extent of the law.

ID: 023

Report No. :TESA2303000153EN

NR n38 (40MHz)_Body_Back Surface_CH 518000_Pi/2 BPSK_1-1_5mm_Ant0_ULMIMO

Communication System: 5G NR(40MHz,Pi/2 BPSK, 30kHz); Frequency: 2590 MHz; Duty cycle= 1:1

Medium parameters used: $f = 2590 \text{ MHz}$; $\sigma = 1.902 \text{ S/m}$; $\epsilon_r = 37.454$; $\rho = 1000 \text{ kg/m}^3$

Phantom section: Flat Section

Ambient temperature: 21.8°C; Liquid temperature: 21.4°C

DASY5 Configuration:

- Probe: EX3DV4 - SN7642; ConvF(7.71, 7.59, 7.66) @ 2590 MHz; Calibrated: 2023/2/20
- Sensor-Surface: 2mm (Mechanical Surface Detection)
- Electronics: DAE4 Sn1260; Calibrated: 2022/9/22
- Phantom: SAM
- DASY52 52.10.4(1527); SEMCAD X 14.6.14(7483)

Area Scan (111x181x1): Interpolated grid: dx=12 mm, dy=12 mm

Maximum value of SAR (interpolated) = 0.151 W/kg

Zoom Scan (7x7x7)/Cube 0: Measurement grid: dx=5mm, dy=5mm, dz=5mm

Reference Value = 3.188 V/m; Power Drift = 0.08 dB

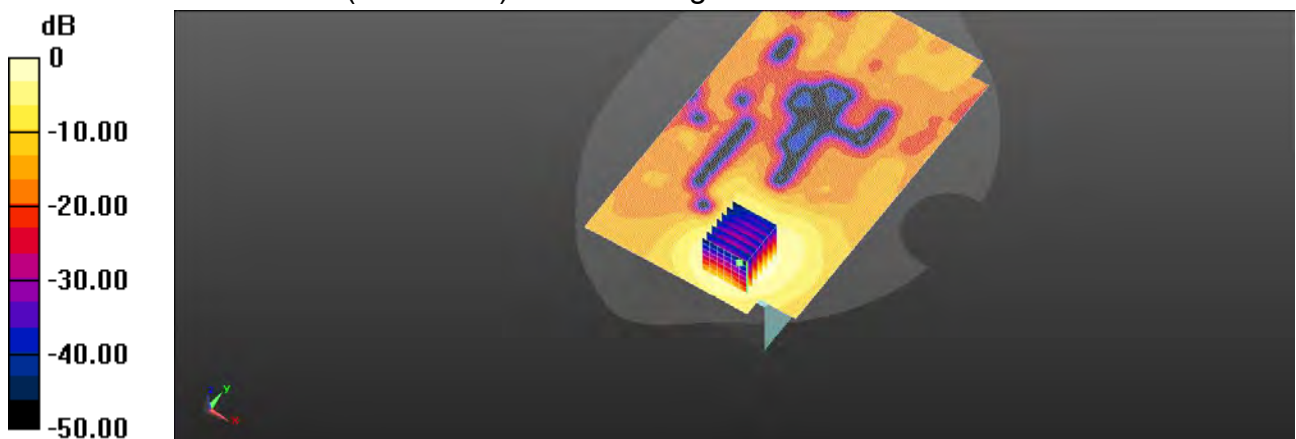
Peak SAR (extrapolated) = 0.180 W/kg

SAR(1 g) = 0.112 W/kg; SAR(10 g) = 0.065 W/kg

Smallest distance from peaks to all points 3 dB below = 14.3 mm

Ratio of SAR at M2 to SAR at M1 = 63.3%

Maximum value of SAR (measured) = 0.149 W/kg



0 dB = 0.151 W/kg = -8.20 dBW/kg

Unless otherwise stated the results shown in this test report refer only to the sample(s) tested and such sample(s) are retained for 90 days only.

除非另有說明，此報告結果僅對測試之樣品負責，同時此樣品僅保留90天。本報告未經本公司書面許可，不可部份複製。

This document is issued by the Company subject to its General Conditions of Service printed overleaf, available on request or accessible at <http://www.sgs.com.tw/Terms-and-Conditions> and for electronic format documents, subject to Terms and Conditions for Electronic Documents at <http://www.sgs.com.tw/Terms-and-Conditions>. Attention is drawn to the limitation of liability, indemnification and jurisdiction issues defined therein. Any holder of this document is advised that information contained hereon reflects the Company's findings at the time of its intervention only and within the limits of Client's instructions, if any. The Company's sole responsibility is to its Client and this document does not exonerate parties to a transaction from exercising all their rights and obligations under the transaction documents. This document cannot be reproduced except in full, without prior written approval of the Company. Any unauthorized alteration, forgery or falsification of the content or appearance of this document is unlawful and offenders may be prosecuted to the fullest extent of the law.

ID: 024

Report No. :TESA2303000153EN

NR n41 (100MHz)_Body_Back Surface_CH 518598_Pi/2 BPSK_1-1_5mm_Ant0_ULMIMO

Communication System: 5G NR(100 MHz, Pi/2 BPSK, 30KHz; Frequency: 2592.99 MHz; Duty cycle= 1:1

Medium parameters used: $f = 2593 \text{ MHz}$; $\sigma = 1.905 \text{ S/m}$; $\epsilon_r = 37.45$; $\rho = 1000 \text{ kg/m}^3$

Phantom section: Flat Section

Ambient temperature: 21.8°C; Liquid temperature: 21.4°C

DASY5 Configuration:

- Probe: EX3DV4 - SN7642; ConvF(7.71, 7.59, 7.66) @ 2592.99 MHz; Calibrated: 2023/2/20
- Sensor-Surface: 2mm (Mechanical Surface Detection)
- Electronics: DAE4 Sn1260; Calibrated: 2022/9/22
- Phantom: SAM
- DASY52 52.10.4(1527); SEMCAD X 14.6.14(7483)

Area Scan (111x181x1): Interpolated grid: dx=12 mm, dy=12 mm

Maximum value of SAR (interpolated) = 0.215 W/kg

Zoom Scan (7x7x7)/Cube 0: Measurement grid: dx=5mm, dy=5mm, dz=5mm

Reference Value = 3.521 V/m; Power Drift = 0.04 dB

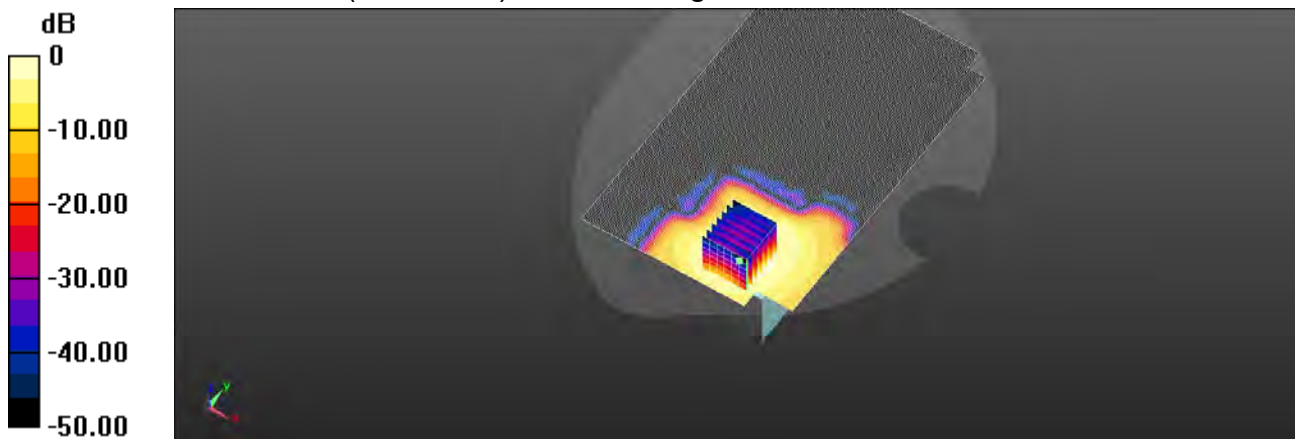
Peak SAR (extrapolated) = 0.255 W/kg

SAR(1 g) = 0.164 W/kg; SAR(10 g) = 0.096 W/kg

Smallest distance from peaks to all points 3 dB below = 13.5 mm

Ratio of SAR at M2 to SAR at M1 = 65.8%

Maximum value of SAR (measured) = 0.214 W/kg



0 dB = 0.215 W/kg = -6.68 dBW/kg

Unless otherwise stated the results shown in this test report refer only to the sample(s) tested and such sample(s) are retained for 90 days only.

除非另有說明，此報告結果僅對測試之樣品負責，同時此樣品僅保留90天。本報告未經本公司書面許可，不可部份複製。

This document is issued by the Company subject to its General Conditions of Service printed overleaf, available on request or accessible at <http://www.sgs.com.tw/Terms-and-Conditions> and for electronic format documents, subject to Terms and Conditions for Electronic Documents at <http://www.sgs.com.tw/Terms-and-Conditions>. Attention is drawn to the limitation of liability, indemnification and jurisdiction issues defined therein. Any holder of this document is advised that information contained hereon reflects the Company's findings at the time of its intervention only and within the limits of Client's instructions, if any. The Company's sole responsibility is to its Client and this document does not exonerate parties to a transaction from exercising all their rights and obligations under the transaction documents. This document cannot be reproduced except in full, without prior written approval of the Company. Any unauthorized alteration, forgery or falsification of the content or appearance of this document is unlawful and offenders may be prosecuted to the fullest extent of the law.

ID: 025

Report No. :TESA2303000153EN

NR n48 (40MHz)_Body_Back Surface_CH 645333_Pi/2 BPSK_1-1_5mm_Ant0_ULMIMO

Communication System: 5G NR(40MHz,Pi/2 BPSK, 30kHz); Frequency: 3679.99 MHz; Duty cycle= 1:1

Medium parameters used: $f = 3680$ MHz; $\sigma = 3.078$ S/m; $\epsilon_r = 38.112$; $\rho = 1000$ kg/m³

Phantom section: Flat Section

Ambient temperature: 22.1°C; Liquid temperature: 21.7°C

DASY5 Configuration:

- Probe: EX3DV4 - SN7642; ConvF(6.84, 6.77, 6.79) @ 3679.99 MHz; Calibrated: 2023/2/20
- Sensor-Surface: 2mm (Mechanical Surface Detection)
- Electronics: DAE4 Sn1260; Calibrated: 2022/9/22
- Phantom: SAM
- DASY52 52.10.4(1527); SEMCAD X 14.6.14(7483)

Area Scan (111x181x1): Interpolated grid: dx=12 mm, dy=12 mm

Maximum value of SAR (interpolated) = 0.245 W/kg

Zoom Scan (7x7x8)/Cube 0: Measurement grid: dx=5mm, dy=5mm, dz=4mm

Reference Value = 2.047 V/m; Power Drift = -0.12 dB

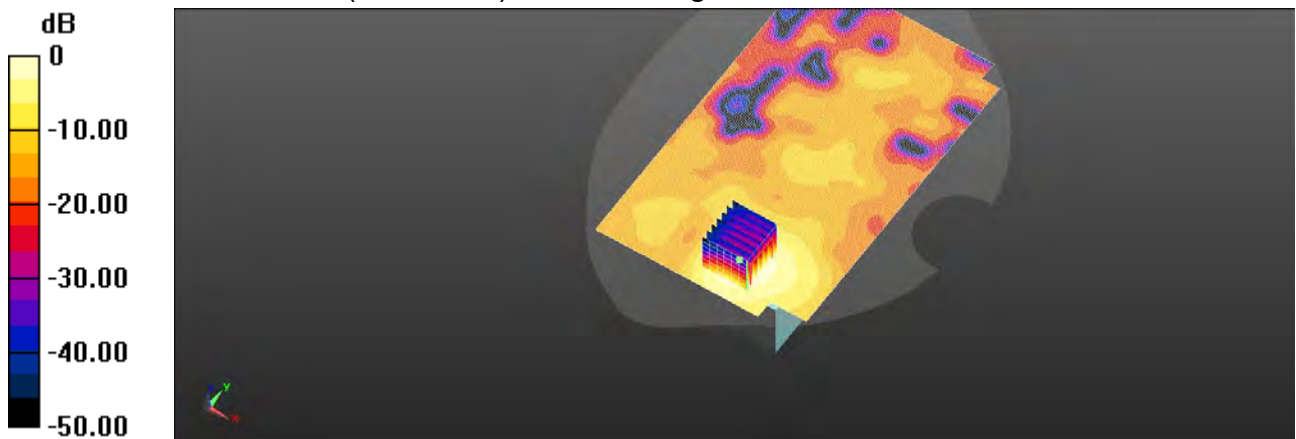
Peak SAR (extrapolated) = 0.305 W/kg

SAR(1 g) = 0.160 W/kg; SAR(10 g) = 0.081 W/kg

Smallest distance from peaks to all points 3 dB below = 13.3 mm

Ratio of SAR at M2 to SAR at M1 = 58.5%

Maximum value of SAR (measured) = 0.229 W/kg



0 dB = 0.245 W/kg = -6.11 dBW/kg

Unless otherwise stated the results shown in this test report refer only to the sample(s) tested and such sample(s) are retained for 90 days only.

除非另有說明，此報告結果僅對測試之樣品負責，同時此樣品僅保留90天。本報告未經本公司書面許可，不可部份複製。

This document is issued by the Company subject to its General Conditions of Service printed overleaf, available on request or accessible at <http://www.sgs.com.tw/Terms-and-Conditions> and for electronic format documents, subject to Terms and Conditions for Electronic Documents at <http://www.sgs.com.tw/Terms-and-Conditions>. Attention is drawn to the limitation of liability, indemnification and jurisdiction issues defined therein. Any holder of this document is advised that information contained hereon reflects the Company's findings at the time of its intervention only and within the limits of Client's instructions, if any. The Company's sole responsibility is to its Client and this document does not exonerate parties to a transaction from exercising all their rights and obligations under the transaction documents. This document cannot be reproduced except in full, without prior written approval of the Company. Any unauthorized alteration, forgery or falsification of the content or appearance of this document is unlawful and offenders may be prosecuted to the fullest extent of the law.

ID: 026

Report No. :TESA2303000153EN

NR n77 (100MHz)_Body_Back Surface_CH 662000_Pi/2 BPSK_1-1_5mm_Ant0_FCC

Communication System: 5G NR(100 MHz, Pi/2 BPSK, 30KHz; Frequency: 3930 MHz;
Duty cycle= 1:1

Medium parameters used: $f = 3930 \text{ MHz}$; $\sigma = 3.321 \text{ S/m}$; $\epsilon_r = 37.728$; $\rho = 1000 \text{ kg/m}^3$

Phantom section: Flat Section

Ambient temperature: 21.8°C; Liquid temperature: 21.5°C

DASY5 Configuration:

- Probe: EX3DV4 - SN7642; ConvF(6.83, 6.72, 6.74) @ 3930 MHz; Calibrated: 2023/2/20
- Sensor-Surface: 2mm (Mechanical Surface Detection)
- Electronics: DAE4 Sn1260; Calibrated: 2022/9/22
- Phantom: SAM
- DASY52 52.10.4(1527); SEMCAD X 14.6.14(7483)

Area Scan (111x181x1): Interpolated grid: dx=12 mm, dy=12 mm

Maximum value of SAR (interpolated) = 1.39 W/kg

Zoom Scan (7x7x8)/Cube 0: Measurement grid: dx=5mm, dy=5mm, dz=4mm

Reference Value = 11.39 V/m; Power Drift = 0.13 dB

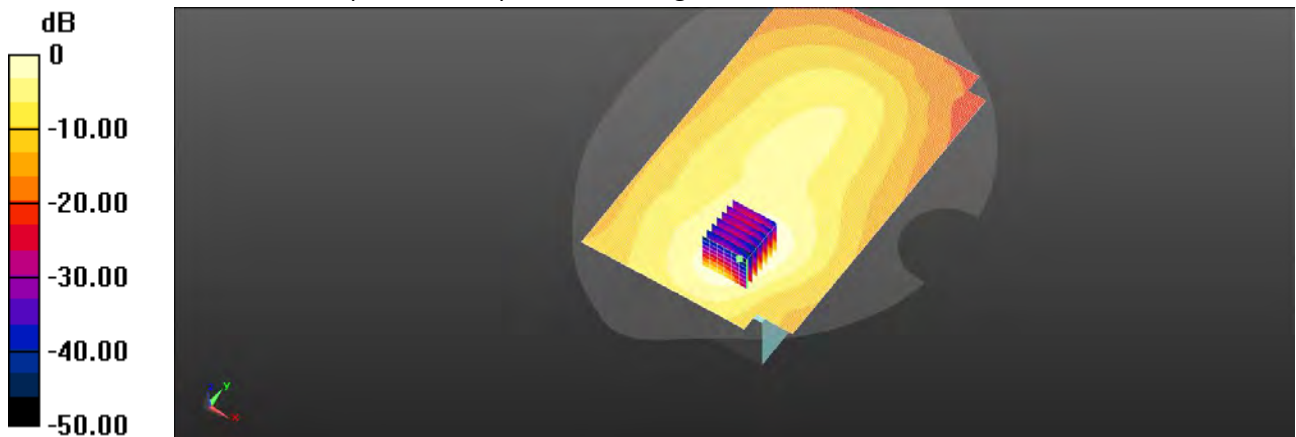
Peak SAR (extrapolated) = 1.51 W/kg

SAR(1 g) = 1.14 W/kg; SAR(10 g) = 0.828 W/kg

Smallest distance from peaks to all points 3 dB below = 14.4 mm

Ratio of SAR at M2 to SAR at M1 = 82%

Maximum value of SAR (measured) = 1.35 W/kg



0 dB = 1.39 W/kg = 1.43 dBW/kg

Unless otherwise stated the results shown in this test report refer only to the sample(s) tested and such sample(s) are retained for 90 days only.

除非另有說明，此報告結果僅對測試之樣品負責，同時此樣品僅保留90天。本報告未經本公司書面許可，不可部份複製。

This document is issued by the Company subject to its General Conditions of Service printed overleaf, available on request or accessible at <http://www.sgs.com.tw/Terms-and-Conditions> and for electronic format documents, subject to Terms and Conditions for Electronic Documents at <http://www.sgs.com.tw/Terms-and-Conditions>. Attention is drawn to the limitation of liability, indemnification and jurisdiction issues defined therein. Any holder of this document is advised that information contained hereon reflects the Company's findings at the time of its intervention only and within the limits of Client's instructions, if any. The Company's sole responsibility is to its Client and this document does not exonerate parties to a transaction from exercising all their rights and obligations under the transaction documents. This document cannot be reproduced except in full, without prior written approval of the Company. Any unauthorized alteration, forgery or falsification of the content or appearance of this document is unlawful and offenders may be prosecuted to the fullest extent of the law.

ID: 027

Report No. :TESA2303000153EN

NR n77 (100MHz)_Body_Back Surface_CH 662000_Pi/2 BPSK_1-1_5mm_Ant0_FCC_HPUE

Communication System: 5G NR(100 MHz, Pi/2 BPSK, 30KHz; Frequency: 3930 MHz; Duty cycle= 1:1

Medium parameters used: $f = 3930 \text{ MHz}$; $\sigma = 3.321 \text{ S/m}$; $\epsilon_r = 37.728$; $\rho = 1000 \text{ kg/m}^3$

Phantom section: Flat Section

Ambient temperature: 21.8°C; Liquid temperature: 21.5°C

DASY5 Configuration:

- Probe: EX3DV4 - SN7642; ConvF(6.83, 6.72, 6.74) @ 3930 MHz; Calibrated: 2023/2/20
- Sensor-Surface: 2mm (Mechanical Surface Detection)
- Electronics: DAE4 Sn1260; Calibrated: 2022/9/22
- Phantom: SAM
- DASY52 52.10.4(1527); SEMCAD X 14.6.14(7483)

Area Scan (111x181x1): Interpolated grid: dx=12 mm, dy=12 mm

Maximum value of SAR (interpolated) = 1.53 W/kg

Zoom Scan (7x7x8)/Cube 0: Measurement grid: dx=5mm, dy=5mm, dz=4mm

Reference Value = 11.35 V/m; Power Drift = 0.01 dB

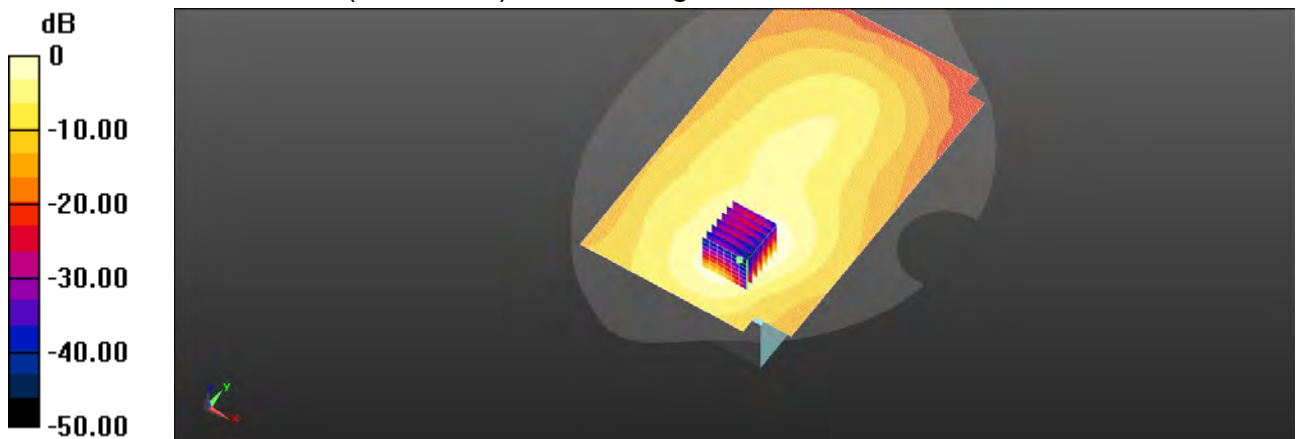
Peak SAR (extrapolated) = 1.69 W/kg

SAR(1 g) = 1.26 W/kg; SAR(10 g) = 0.902 W/kg

Smallest distance from peaks to all points 3 dB below = 14.8 mm

Ratio of SAR at M2 to SAR at M1 = 80.4%

Maximum value of SAR (measured) = 1.50 W/kg



0 dB = 1.53 W/kg = 1.86 dBW/kg

Unless otherwise stated the results shown in this test report refer only to the sample(s) tested and such sample(s) are retained for 90 days only.

除非另有說明，此報告結果僅對測試之樣品負責，同時此樣品僅保留90天。本報告未經本公司書面許可，不可部份複製。

This document is issued by the Company subject to its General Conditions of Service printed overleaf, available on request or accessible at <http://www.sgs.com.tw/Terms-and-Conditions> and for electronic format documents, subject to Terms and Conditions for Electronic Documents at <http://www.sgs.com.tw/Terms-and-Conditions>. Attention is drawn to the limitation of liability, indemnification and jurisdiction issues defined therein. Any holder of this document is advised that information contained hereon reflects the Company's findings at the time of its intervention only and within the limits of Client's instructions, if any. The Company's sole responsibility is to its Client and this document does not exonerate parties to a transaction from exercising all their rights and obligations under the transaction documents. This document cannot be reproduced except in full, without prior written approval of the Company. Any unauthorized alteration, forgery or falsification of the content or appearance of this document is unlawful and offenders may be prosecuted to the fullest extent of the law.

ID: 028

Report No. :TESA2303000153EN

NR n77 & N78 (100MHz)_Body_Back Surface_CH 633333_Pi/2 BPSK_1-1_5mm_Ant0_FCC

Communication System: 5G NR(100 MHz, Pi/2 BPSK, 30KHz; Frequency: 3499.99 MHz; Duty cycle= 1:1

Medium parameters used: $f = 3500$ MHz; $\sigma = 2.9$ S/m; $\epsilon_r = 38.425$; $\rho = 1000$ kg/m³

Phantom section: Flat Section

Ambient temperature: 22.2°C; Liquid temperature: 22.0°C

DASY5 Configuration:

- Probe: EX3DV4 - SN7642; ConvF(6.96, 6.9, 6.91) @ 3499.99 MHz; Calibrated: 2023/2/20
- Sensor-Surface: 2mm (Mechanical Surface Detection)
- Electronics: DAE4 Sn1260; Calibrated: 2022/9/22
- Phantom: SAM
- DASY52 52.10.4(1527); SEMCAD X 14.6.14(7483)

Area Scan (111x181x1): Interpolated grid: dx=12 mm, dy=12 mm

Maximum value of SAR (interpolated) = 0.389 W/kg

Zoom Scan (7x7x8)/Cube 0: Measurement grid: dx=5mm, dy=5mm, dz=4mm

Reference Value = 2.642 V/m; Power Drift = 0.12 dB

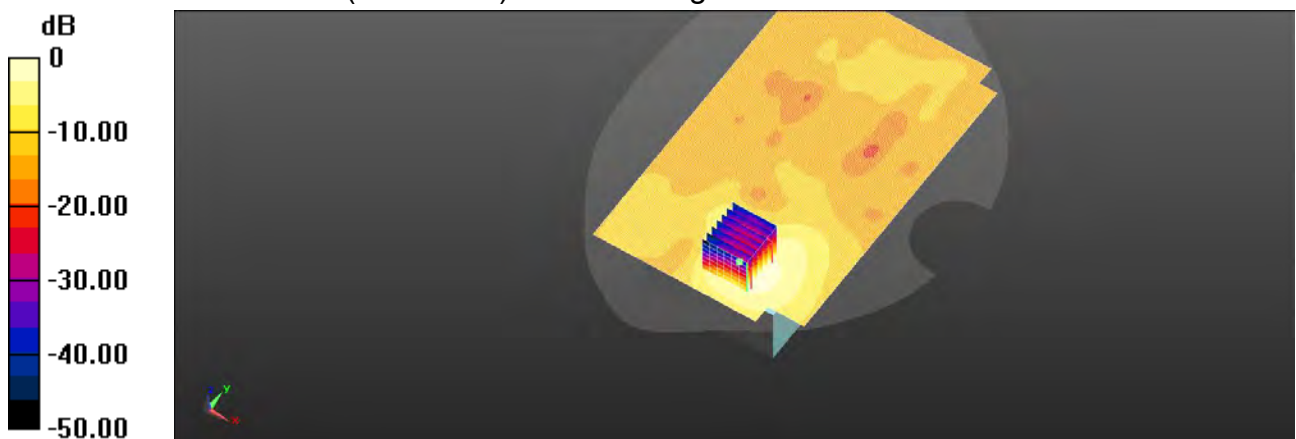
Peak SAR (extrapolated) = 0.504 W/kg

SAR(1 g) = 0.277 W/kg; SAR(10 g) = 0.143 W/kg

Smallest distance from peaks to all points 3 dB below = 13.4 mm

Ratio of SAR at M2 to SAR at M1 = 61.5%

Maximum value of SAR (measured) = 0.390 W/kg



0 dB = 0.389 W/kg = -4.10 dBW/kg

Unless otherwise stated the results shown in this test report refer only to the sample(s) tested and such sample(s) are retained for 90 days only.

除非另有說明，此報告結果僅對測試之樣品負責，同時此樣品僅保留90天。本報告未經本公司書面許可，不可部份複製。

This document is issued by the Company subject to its General Conditions of Service printed overleaf, available on request or accessible at <http://www.sgs.com.tw/Terms-and-Conditions> and for electronic format documents, subject to Terms and Conditions for Electronic Documents at <http://www.sgs.com.tw/Terms-and-Conditions>. Attention is drawn to the limitation of liability, indemnification and jurisdiction issues defined therein. Any holder of this document is advised that information contained hereon reflects the Company's findings at the time of its intervention only and within the limits of Client's instructions, if any. The Company's sole responsibility is to its Client and this document does not exonerate parties to a transaction from exercising all their rights and obligations under the transaction documents. This document cannot be reproduced except in full, without prior written approval of the Company. Any unauthorized alteration, forgery or falsification of the content or appearance of this document is unlawful and offenders may be prosecuted to the fullest extent of the law.

ID: 029

Report No. :TESA2303000153EN

NR n77 & N78 (100MHz)_Body_Back Surface_CH 633333_Pi/2 BPSK_1-1_5mm_Ant0_FCC_HPUE

Communication System: 5G NR(100 MHz, Pi/2 BPSK, 30KHz; Frequency: 3499.99 MHz; Duty cycle= 1:1

Medium parameters used: $f = 3500$ MHz; $\sigma = 2.9$ S/m; $\epsilon_r = 38.425$; $\rho = 1000$ kg/m³

Phantom section: Flat Section

Ambient temperature: 22.2°C; Liquid temperature: 22.0°C

DASY5 Configuration:

- Probe: EX3DV4 - SN7642; ConvF(6.96, 6.9, 6.91) @ 3499.99 MHz; Calibrated: 2023/2/20
- Sensor-Surface: 2mm (Mechanical Surface Detection)
- Electronics: DAE4 Sn1260; Calibrated: 2022/9/22
- Phantom: SAM
- DASY52 52.10.4(1527); SEMCAD X 14.6.14(7483)

Area Scan (111x181x1): Interpolated grid: dx=12 mm, dy=12 mm

Maximum value of SAR (interpolated) = 0.431 W/kg

Zoom Scan (7x7x8)/Cube 0: Measurement grid: dx=5mm, dy=5mm, dz=4mm

Reference Value = 4.483 V/m; Power Drift = 0.01 dB

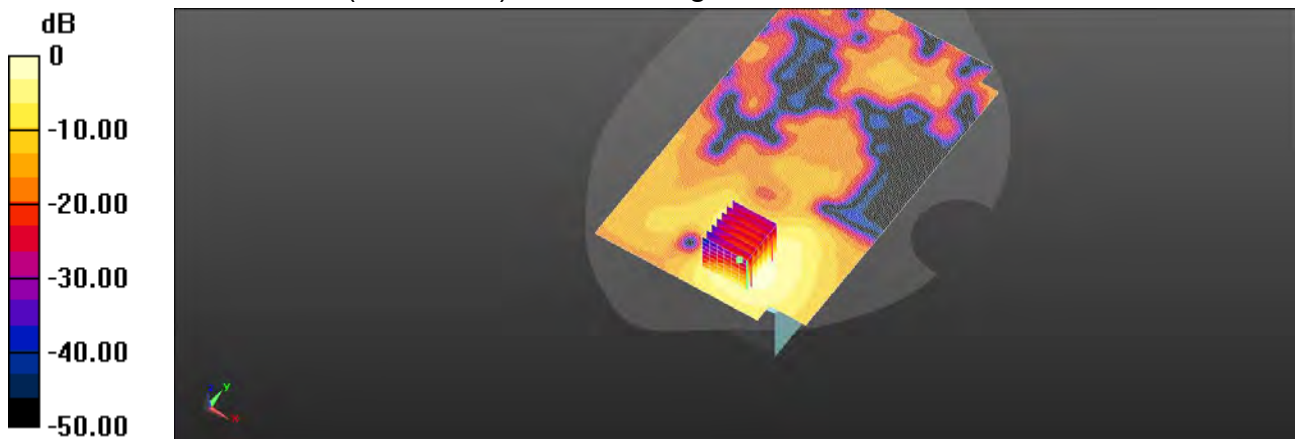
Peak SAR (extrapolated) = 0.529 W/kg

SAR(1 g) = 0.292 W/kg; SAR(10 g) = 0.152 W/kg

Smallest distance from peaks to all points 3 dB below = 13 mm

Ratio of SAR at M2 to SAR at M1 = 62.3%

Maximum value of SAR (measured) = 0.410 W/kg



0 dB = 0.431 W/kg = -3.66 dBW/kg

Unless otherwise stated the results shown in this test report refer only to the sample(s) tested and such sample(s) are retained for 90 days only.

除非另有說明，此報告結果僅對測試之樣品負責，同時此樣品僅保留90天。本報告未經本公司書面許可，不可部份複製。

This document is issued by the Company subject to its General Conditions of Service printed overleaf, available on request or accessible at <http://www.sgs.com.tw/Terms-and-Conditions> and for electronic format documents, subject to Terms and Conditions for Electronic Documents at <http://www.sgs.com.tw/Terms-and-Conditions>. Attention is drawn to the limitation of liability, indemnification and jurisdiction issues defined therein. Any holder of this document is advised that information contained hereon reflects the Company's findings at the time of its intervention only and within the limits of Client's instructions, if any. The Company's sole responsibility is to its Client and this document does not exonerate parties to a transaction from exercising all their rights and obligations under the transaction documents. This document cannot be reproduced except in full, without prior written approval of the Company. Any unauthorized alteration, forgery or falsification of the content or appearance of this document is unlawful and offenders may be prosecuted to the fullest extent of the law.

ID: 032

Report No. :TESA2303000153EN

NR n78 (100MHz)_Body_Back Surface_CH 650000_Pi/2 BPSK_1-1_5mm_Ant0_FCC

Communication System: 5G NR(100 MHz, Pi/2 BPSK, 30KHz; Frequency: 3750 MHz;
Duty cycle= 1:1

Medium parameters used: $f = 3750 \text{ MHz}$; $\sigma = 3.12 \text{ S/m}$; $\epsilon_r = 37.796$; $\rho = 1000 \text{ kg/m}^3$

Phantom section: Flat Section

Ambient temperature: 21.9°C; Liquid temperature: 21.7°C

DASY5 Configuration:

- Probe: EX3DV4 - SN7642; ConvF(6.84, 6.77, 6.79) @ 3750 MHz; Calibrated: 2023/2/20
- Sensor-Surface: 2mm (Mechanical Surface Detection)
- Electronics: DAE4 Sn1260; Calibrated: 2022/9/22
- Phantom: SAM
- DASY52 52.10.4(1527); SEMCAD X 14.6.14(7483)

Area Scan (111x181x1): Interpolated grid: dx=12 mm, dy=12 mm

Maximum value of SAR (interpolated) = 0.942 W/kg

Zoom Scan (7x7x8)/Cube 0: Measurement grid: dx=5mm, dy=5mm, dz=4mm

Reference Value = 4.298 V/m; Power Drift = -0.12 dB

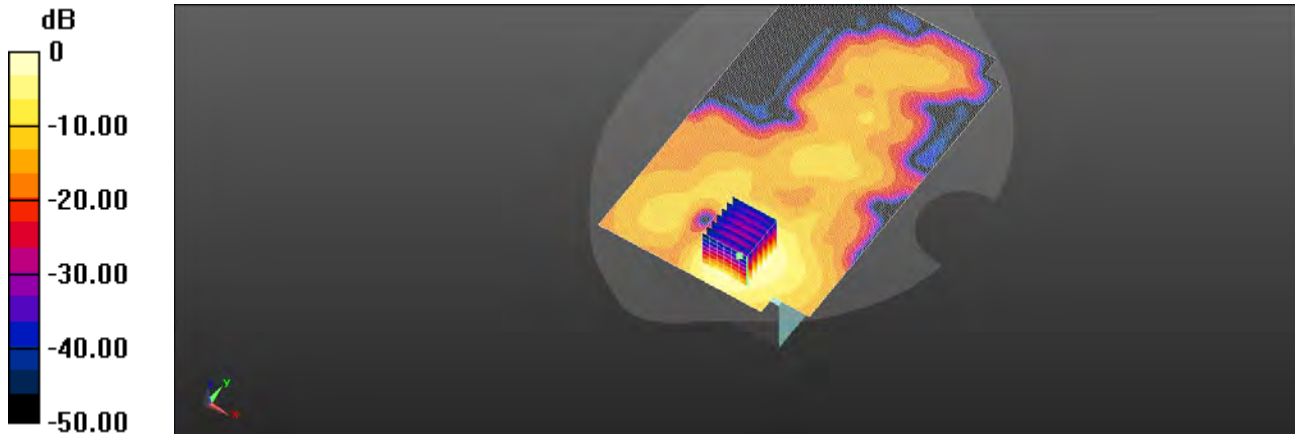
Peak SAR (extrapolated) = 1.19 W/kg

SAR(1 g) = 0.626 W/kg; SAR(10 g) = 0.315 W/kg

Smallest distance from peaks to all points 3 dB below = 13.2 mm

Ratio of SAR at M2 to SAR at M1 = 59%

Maximum value of SAR (measured) = 0.907 W/kg



0 dB = 0.942 W/kg = -0.26 dBW/kg

Unless otherwise stated the results shown in this test report refer only to the sample(s) tested and such sample(s) are retained for 90 days only.

除非另有說明，此報告結果僅對測試之樣品負責，同時此樣品僅保留90天。本報告未經本公司書面許可，不可部份複製。

This document is issued by the Company subject to its General Conditions of Service printed overleaf, available on request or accessible at <http://www.sgs.com.tw/Terms-and-Conditions> and for electronic format documents, subject to Terms and Conditions for Electronic Documents at <http://www.sgs.com.tw/Terms-and-Conditions>. Attention is drawn to the limitation of liability, indemnification and jurisdiction issues defined therein. Any holder of this document is advised that information contained hereon reflects the Company's findings at the time of its intervention only and within the limits of Client's instructions, if any. The Company's sole responsibility is to its Client and this document does not exonerate parties to a transaction from exercising all their rights and obligations under the transaction documents. This document cannot be reproduced except in full, without prior written approval of the Company. Any unauthorized alteration, forgery or falsification of the content or appearance of this document is unlawful and offenders may be prosecuted to the fullest extent of the law.

ID: 033

Report No. :TESA2303000153EN

NR n78 (100MHz)_Body_Back Surface_CH 650000_Pi/2 BPSK_1-1_5mm_Ant0_FCC_HPUE

Communication System: 5G NR(100 MHz, Pi/2 BPSK, 30KHz; Frequency: 3750 MHz; Duty cycle= 1:1

Medium parameters used: $f = 3750 \text{ MHz}$; $\sigma = 3.12 \text{ S/m}$; $\epsilon_r = 37.796$; $\rho = 1000 \text{ kg/m}^3$

Phantom section: Flat Section

Ambient temperature: 21.9°C; Liquid temperature: 21.7°C

DASY5 Configuration:

- Probe: EX3DV4 - SN7642; ConvF(6.84, 6.77, 6.79) @ 3750 MHz; Calibrated: 2023/2/20
- Sensor-Surface: 2mm (Mechanical Surface Detection)
- Electronics: DAE4 Sn1260; Calibrated: 2022/9/22
- Phantom: SAM
- DASY52 52.10.4(1527); SEMCAD X 14.6.14(7483)

Area Scan (111x181x1): Interpolated grid: dx=12 mm, dy=12 mm

Maximum value of SAR (interpolated) = 1.12 W/kg

Zoom Scan (7x7x8)/Cube 0: Measurement grid: dx=5mm, dy=5mm, dz=4mm

Reference Value = 4.962 V/m; Power Drift = -0.11 dB

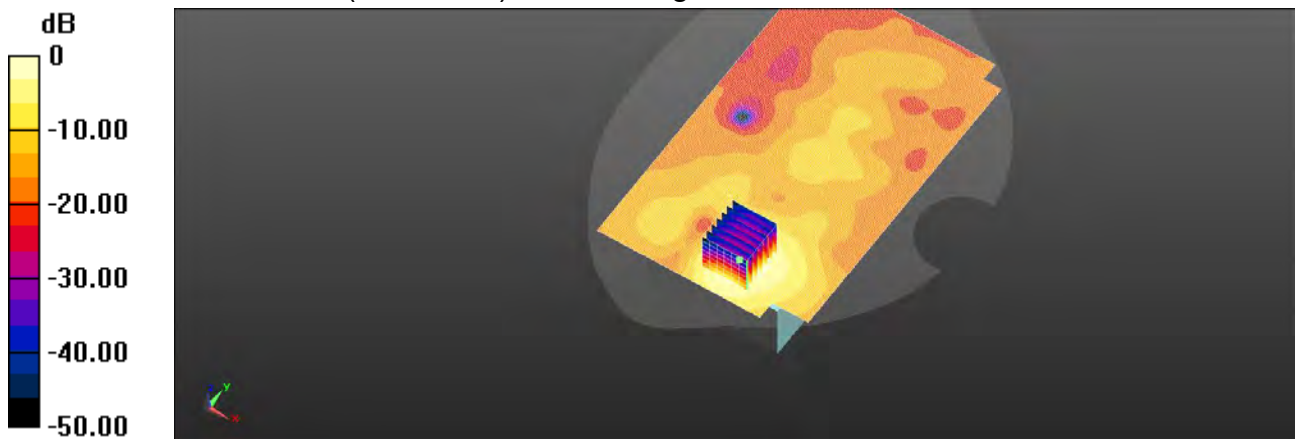
Peak SAR (extrapolated) = 1.43 W/kg

SAR(1 g) = 0.725 W/kg; SAR(10 g) = 0.356 W/kg

Smallest distance from peaks to all points 3 dB below = 12.6 mm

Ratio of SAR at M2 to SAR at M1 = 57%

Maximum value of SAR (measured) = 1.06 W/kg



0 dB = 1.12 W/kg = 0.49 dBW/kg

Unless otherwise stated the results shown in this test report refer only to the sample(s) tested and such sample(s) are retained for 90 days only.

除非另有說明，此報告結果僅對測試之樣品負責，同時此樣品僅保留90天。本報告未經本公司書面許可，不可部份複製。

This document is issued by the Company subject to its General Conditions of Service printed overleaf, available on request or accessible at <http://www.sgs.com.tw/Terms-and-Conditions> and for electronic format documents, subject to Terms and Conditions for Electronic Documents at <http://www.sgs.com.tw/Terms-and-Conditions>. Attention is drawn to the limitation of liability, indemnification and jurisdiction issues defined therein. Any holder of this document is advised that information contained hereon reflects the Company's findings at the time of its intervention only and within the limits of Client's instructions, if any. The Company's sole responsibility is to its Client and this document does not exonerate parties to a transaction from exercising all their rights and obligations under the transaction documents. This document cannot be reproduced except in full, without prior written approval of the Company. Any unauthorized alteration, forgery or falsification of the content or appearance of this document is unlawful and offenders may be prosecuted to the fullest extent of the law.

ID: 034

Report No. :TESA2303000153EN

LTE Band 4 (20M)_Body_Right Edge_CH 20300_QPSK_1-0_5mm_Ant3_Inter band

Communication System: LTE; Frequency: 1745 MHz; Duty cycle= 1:1

Medium parameters used: $f = 1745 \text{ MHz}$; $\sigma = 1.318 \text{ S/m}$; $\epsilon_r = 39.371$; $\rho = 1000 \text{ kg/m}^3$

Phantom section: Flat Section

Ambient temperature: 22.2°C; Liquid temperature: 21.8°C

DASY5 Configuration:

- Probe: EX3DV4 - SN7642; ConvF(8.5, 8.42, 8.36) @ 1745 MHz; Calibrated: 2023/2/20
- Sensor-Surface: 2mm (Mechanical Surface Detection)
- Electronics: DAE4 Sn1260; Calibrated: 2022/9/22
- Phantom: SAM
- DASY52 52.10.4(1527); SEMCAD X 14.6.14(7483)

Area Scan (71x161x1): Interpolated grid: dx=15 mm, dy=15 mm

Maximum value of SAR (interpolated) = 0.654 W/kg

Zoom Scan (5x5x7)/Cube 0: Measurement grid: dx=8mm, dy=8mm, dz=5mm

Reference Value = 4.104 V/m; Power Drift = 0.17 dB

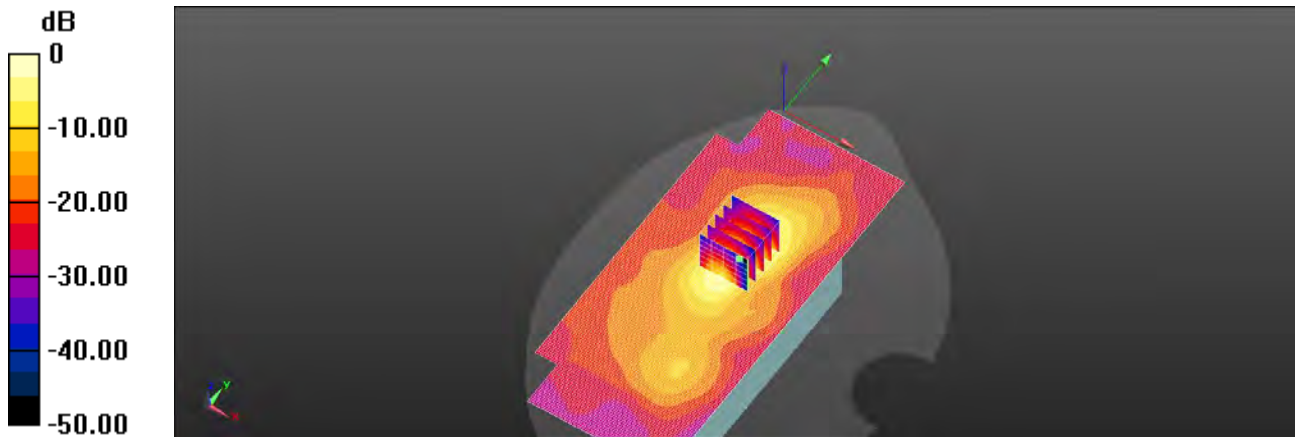
Peak SAR (extrapolated) = 0.788 W/kg

SAR(1 g) = 0.494 W/kg; SAR(10 g) = 0.266 W/kg

Smallest distance from peaks to all points 3 dB below = 8.2 mm

Ratio of SAR at M2 to SAR at M1 = 66.1%

Maximum value of SAR (measured) = 0.655 W/kg



0 dB = 0.654 W/kg = -1.84 dBW/kg

Unless otherwise stated the results shown in this test report refer only to the sample(s) tested and such sample(s) are retained for 90 days only.

除非另有說明，此報告結果僅對測試之樣品負責，同時此樣品僅保留90天。本報告未經本公司書面許可，不可部份複製。

This document is issued by the Company subject to its General Conditions of Service printed overleaf, available on request or accessible at <http://www.sgs.com.tw/Terms-and-Conditions> and for electronic format documents, subject to Terms and Conditions for Electronic Documents at <http://www.sgs.com.tw/Terms-and-Conditions>. Attention is drawn to the limitation of liability, indemnification and jurisdiction issues defined therein. Any holder of this document is advised that information contained hereon reflects the Company's findings at the time of its intervention only and within the limits of Client's instructions, if any. The Company's sole responsibility is to its Client and this document does not exonerate parties to a transaction from exercising all their rights and obligations under the transaction documents. This document cannot be reproduced except in full, without prior written approval of the Company. Any unauthorized alteration, forgery or falsification of the content or appearance of this document is unlawful and offenders may be prosecuted to the fullest extent of the law.

ID: 035

Report No. :TESA2303000153EN

LTE Band 5 (10M)_Body_Right Edge_CH 20525_QPSK_1-0_5mm_Ant3_Inter band

Communication System: LTE; Frequency: 836.5 MHz; Duty cycle= 1:1

Medium parameters used: $f = 836.5$ MHz; $\sigma = 0.883$ S/m; $\epsilon_r = 40.619$; $\rho = 1000$ kg/m³

Phantom section: Flat Section

Ambient temperature: 21.9°C; Liquid temperature: 21.6°C

DASY5 Configuration:

- Probe: EX3DV4 - SN7642; ConvF(9.95, 9.92, 9.79) @ 836.5 MHz; Calibrated: 2023/2/20
- Sensor-Surface: 2mm (Mechanical Surface Detection)
- Electronics: DAE4 Sn1260; Calibrated: 2022/9/22
- Phantom: SAM
- DASY52 52.10.4(1527); SEMCAD X 14.6.14(7483)

Area Scan (71x161x1): Interpolated grid: dx=15 mm, dy=15 mm

Maximum value of SAR (interpolated) = 0.600 W/kg

Zoom Scan (5x5x7)/Cube 0: Measurement grid: dx=8mm, dy=8mm, dz=5mm

Reference Value = 15.28 V/m; Power Drift = 0.18 dB

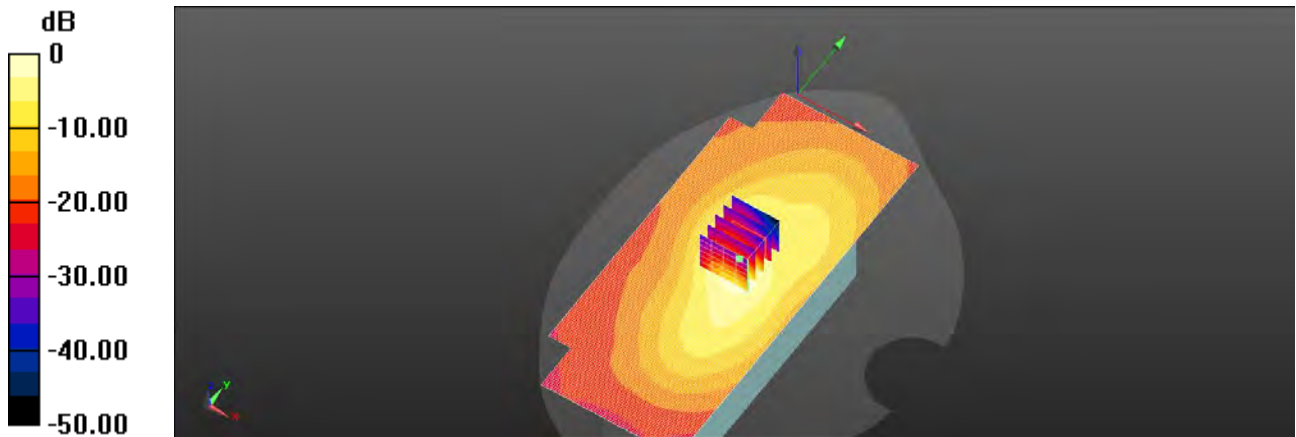
Peak SAR (extrapolated) = 0.743 W/kg

SAR(1 g) = 0.459 W/kg; SAR(10 g) = 0.268 W/kg

Smallest distance from peaks to all points 3 dB below = 9.1 mm

Ratio of SAR at M2 to SAR at M1 = 62.7%

Maximum value of SAR (measured) = 0.618 W/kg



0 dB = 0.600 W/kg = -2.22 dBW/kg

Unless otherwise stated the results shown in this test report refer only to the sample(s) tested and such sample(s) are retained for 90 days only.

除非另有說明，此報告結果僅對測試之樣品負責，同時此樣品僅保留90天。本報告未經本公司書面許可，不可部份複製。

This document is issued by the Company subject to its General Conditions of Service printed overleaf, available on request or accessible at <http://www.sgs.com.tw/Terms-and-Conditions> and for electronic format documents, subject to Terms and Conditions for Electronic Documents at <http://www.sgs.com.tw/Terms-and-Conditions>. Attention is drawn to the limitation of liability, indemnification and jurisdiction issues defined therein. Any holder of this document is advised that information contained hereon reflects the Company's findings at the time of its intervention only and within the limits of Client's instructions, if any. The Company's sole responsibility is to its Client and this document does not exonerate parties to a transaction from exercising all their rights and obligations under the transaction documents. This document cannot be reproduced except in full, without prior written approval of the Company. Any unauthorized alteration, forgery or falsification of the content or appearance of this document is unlawful and offenders may be prosecuted to the fullest extent of the law.

ID: 036

Report No. :TESA2303000153EN

LTE Band 7 (20M)_Body_Right Edge_CH 21100_QPSK_1-0_5mm_Ant3

Communication System: LTE; Frequency: 2535 MHz; Duty cycle= 1:1

Medium parameters used: $f = 2535$ MHz; $\sigma = 1.871$ S/m; $\epsilon_r = 37.883$; $\rho = 1000$ kg/m³

Phantom section: Flat Section

Ambient temperature: 21.9°C; Liquid temperature: 21.6°C

DASY5 Configuration:

- Probe: EX3DV4 - SN7642; ConvF(7.71, 7.59, 7.66) @ 2535 MHz; Calibrated: 2023/2/20
- Sensor-Surface: 2mm (Mechanical Surface Detection)
- Electronics: DAE4 Sn1260; Calibrated: 2022/9/22
- Phantom: SAM
- DASY52 52.10.4(1527); SEMCAD X 14.6.14(7483)

Area Scan (81x201x1): Interpolated grid: dx=12 mm, dy=12 mm

Maximum value of SAR (interpolated) = 1.10 W/kg

Zoom Scan (7x7x7)/Cube 0: Measurement grid: dx=5mm, dy=5mm, dz=5mm

Reference Value = 11.94 V/m; Power Drift = 0.12 dB

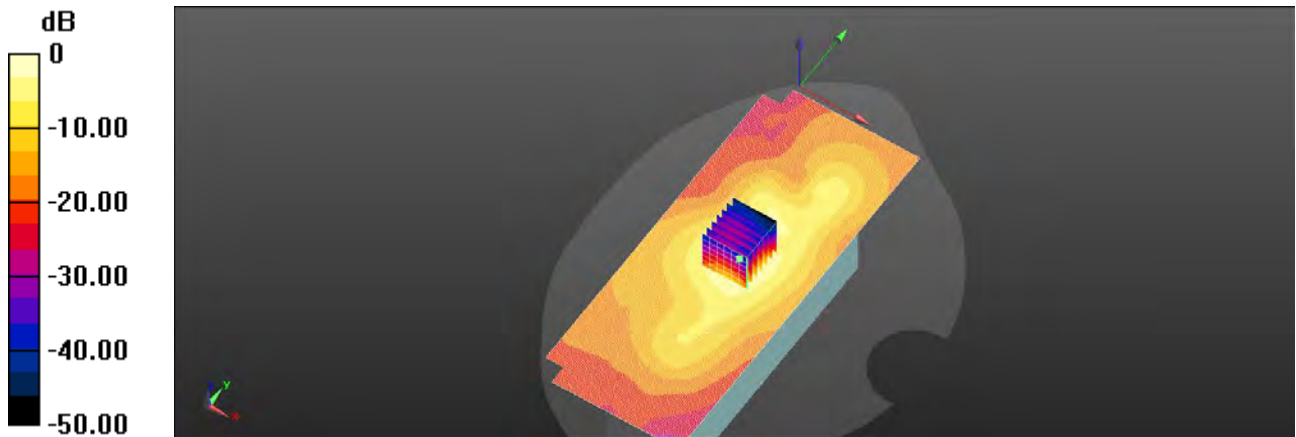
Peak SAR (extrapolated) = 1.44 W/kg

SAR(1 g) = 0.783 W/kg; SAR(10 g) = 0.398 W/kg

Smallest distance from peaks to all points 3 dB below = 8.2 mm

Ratio of SAR at M2 to SAR at M1 = 58%

Maximum value of SAR (measured) = 1.11 W/kg



0 dB = 1.10 W/kg = 0.43 dBW/kg

Unless otherwise stated the results shown in this test report refer only to the sample(s) tested and such sample(s) are retained for 90 days only.

除非另有說明，此報告結果僅對測試之樣品負責，同時此樣品僅保留90天。本報告未經本公司書面許可，不可部份複製。

This document is issued by the Company subject to its General Conditions of Service printed overleaf, available on request or accessible at <http://www.sgs.com.tw/Terms-and-Conditions> and for electronic format documents, subject to Terms and Conditions for Electronic Documents at <http://www.sgs.com.tw/Terms-and-Conditions>. Attention is drawn to the limitation of liability, indemnification and jurisdiction issues defined therein. Any holder of this document is advised that information contained hereon reflects the Company's findings at the time of its intervention only and within the limits of Client's instructions, if any. The Company's sole responsibility is to its Client and this document does not exonerate parties to a transaction from exercising all their rights and obligations under the transaction documents. This document cannot be reproduced except in full, without prior written approval of the Company. Any unauthorized alteration, forgery or falsification of the content or appearance of this document is unlawful and offenders may be prosecuted to the fullest extent of the law.

ID: 037

Report No. :TESA2303000153EN

LTE Band 12 (10M)_Body_Right Edge_CH 23095_QPSK_1-0_5mm_Ant3_Inter band

Communication System: LTE; Frequency: 707.5 MHz; Duty cycle= 1:1

Medium parameters used: $f = 708 \text{ MHz}$; $\sigma = 0.859 \text{ S/m}$; $\epsilon_r = 42.713$; $\rho = 1000 \text{ kg/m}^3$

Phantom section: Flat Section

Ambient temperature: 21.9°C; Liquid temperature: 21.6°C

DASY5 Configuration:

- Probe: EX3DV4 - SN7642; ConvF(9.94, 9.88, 10.08) @ 707.5 MHz; Calibrated: 2023/2/20
- Sensor-Surface: 2mm (Mechanical Surface Detection)
- Electronics: DAE4 Sn1260; Calibrated: 2022/9/22
- Phantom: SAM
- DASY52 52.10.4(1527); SEMCAD X 14.6.14(7483)

Area Scan (61x161x1): Interpolated grid: dx=15 mm, dy=15 mm

Maximum value of SAR (interpolated) = 0.581 W/kg

Zoom Scan (5x5x7)/Cube 0: Measurement grid: dx=8mm, dy=8mm, dz=5mm

Reference Value = 16.13 V/m; Power Drift = 0.12 dB

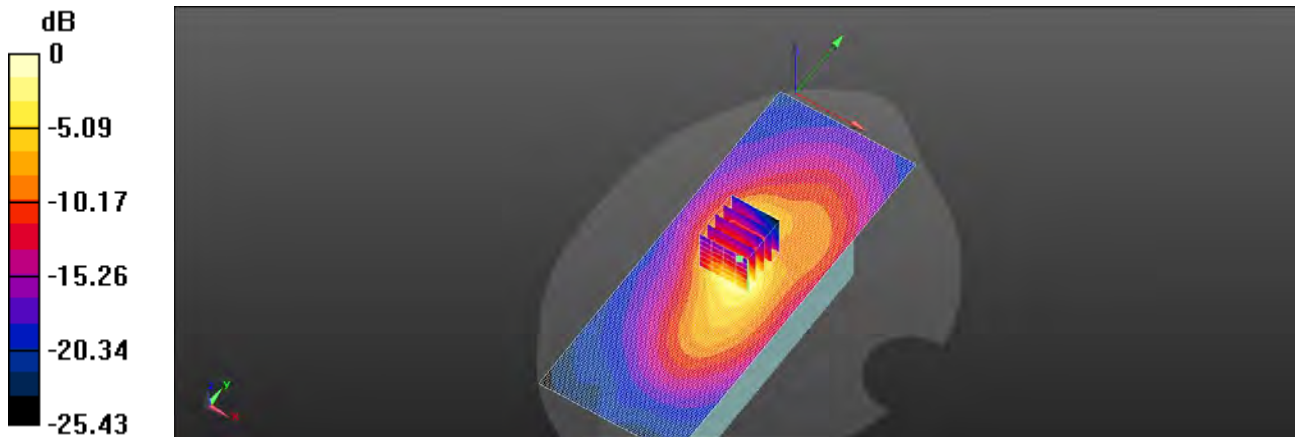
Peak SAR (extrapolated) = 0.712 W/kg

SAR(1 g) = 0.440 W/kg; SAR(10 g) = 0.257 W/kg

Smallest distance from peaks to all points 3 dB below = 10.2 mm

Ratio of SAR at M2 to SAR at M1 = 62.6%

Maximum value of SAR (measured) = 0.597 W/kg



0 dB = 0.581 W/kg = -2.36 dBW/kg

Unless otherwise stated the results shown in this test report refer only to the sample(s) tested and such sample(s) are retained for 90 days only.

除非另有說明，此報告結果僅對測試之樣品負責，同時此樣品僅保留90天。本報告未經本公司書面許可，不可部份複製。

This document is issued by the Company subject to its General Conditions of Service printed overleaf, available on request or accessible at <http://www.sgs.com.tw/Terms-and-Conditions> and for electronic format documents, subject to Terms and Conditions for Electronic Documents at <http://www.sgs.com.tw/Terms-and-Conditions>. Attention is drawn to the limitation of liability, indemnification and jurisdiction issues defined therein. Any holder of this document is advised that information contained hereon reflects the Company's findings at the time of its intervention only and within the limits of Client's instructions, if any. The Company's sole responsibility is to its Client and this document does not exonerate parties to a transaction from exercising all their rights and obligations under the transaction documents. This document cannot be reproduced except in full, without prior written approval of the Company. Any unauthorized alteration, forgery or falsification of the content or appearance of this document is unlawful and offenders may be prosecuted to the fullest extent of the law.

ID: 038

Report No. :TESA2303000153EN

LTE Band 13 (10M)_Body_Right Edge_CH 23230_QPSK_1-0_5mm_Ant3_Inter band

Communication System: LTE; Frequency: 782 MHz; Duty cycle= 1:1

Medium parameters used: $f = 782 \text{ MHz}$; $\sigma = 0.902 \text{ S/m}$; $\epsilon_r = 42.43$; $\rho = 1000 \text{ kg/m}^3$

Phantom section: Flat Section

Ambient temperature: 21.9°C; Liquid temperature: 21.6°C

DASY5 Configuration:

- Probe: EX3DV4 - SN7642; ConvF(9.94, 9.88, 10.08) @ 782 MHz; Calibrated: 2023/2/20
- Sensor-Surface: 2mm (Mechanical Surface Detection)
- Electronics: DAE4 Sn1260; Calibrated: 2022/9/22
- Phantom: SAM
- DASY52 52.10.4(1527); SEMCAD X 14.6.14(7483)

Area Scan (61x161x1): Interpolated grid: dx=15 mm, dy=15 mm

Maximum value of SAR (interpolated) = 0.554 W/kg

Zoom Scan (5x5x7)/Cube 0: Measurement grid: dx=8mm, dy=8mm, dz=5mm

Reference Value = 16.29 V/m; Power Drift = -0.09 dB

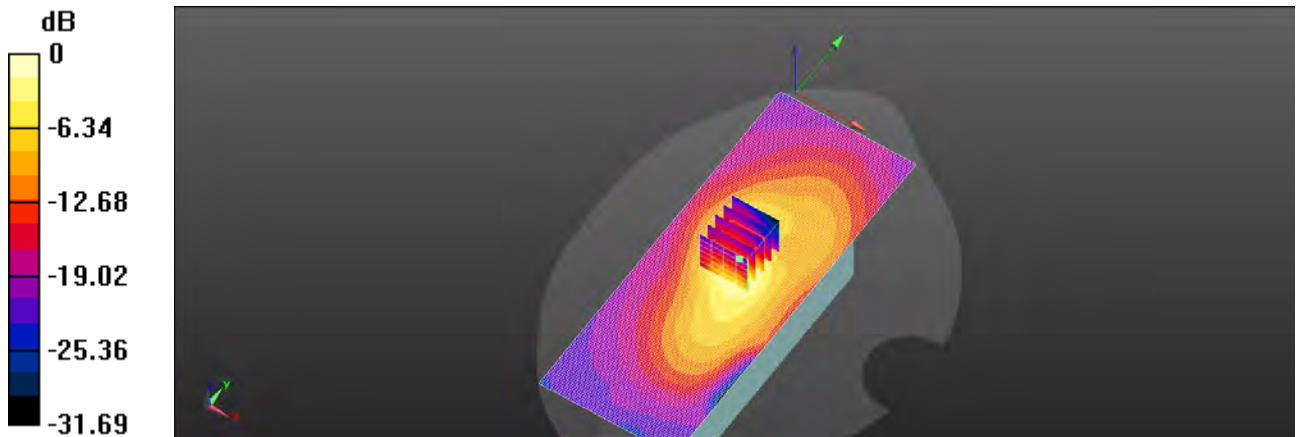
Peak SAR (extrapolated) = 0.685 W/kg

SAR(1 g) = 0.423 W/kg; SAR(10 g) = 0.247 W/kg

Smallest distance from peaks to all points 3 dB below = 10.2 mm

Ratio of SAR at M2 to SAR at M1 = 62.6%

Maximum value of SAR (measured) = 0.573 W/kg



0 dB = 0.554 W/kg = -2.56 dBW/kg

Unless otherwise stated the results shown in this test report refer only to the sample(s) tested and such sample(s) are retained for 90 days only.

除非另有說明，此報告結果僅對測試之樣品負責，同時此樣品僅保留90天。本報告未經本公司書面許可，不可部份複製。

This document is issued by the Company subject to its General Conditions of Service printed overleaf, available on request or accessible at <http://www.sgs.com.tw/Terms-and-Conditions> and for electronic format documents, subject to Terms and Conditions for Electronic Documents at <http://www.sgs.com.tw/Terms-and-Conditions>. Attention is drawn to the limitation of liability, indemnification and jurisdiction issues defined therein. Any holder of this document is advised that information contained hereon reflects the Company's findings at the time of its intervention only and within the limits of Client's instructions, if any. The Company's sole responsibility is to its Client and this document does not exonerate parties to a transaction from exercising all their rights and obligations under the transaction documents. This document cannot be reproduced except in full, without prior written approval of the Company. Any unauthorized alteration, forgery or falsification of the content or appearance of this document is unlawful and offenders may be prosecuted to the fullest extent of the law.

ID: 039

Report No. :TESA2303000153EN

LTE Band 14 (10M)_Body_Right Edge_CH 23330_QPSK_1-0_5mm_Ant3_Inter band

Communication System: LTE; Frequency: 793 MHz; Duty cycle= 1:1

Medium parameters used: $f = 793 \text{ MHz}$; $\sigma = 0.907 \text{ S/m}$; $\epsilon_r = 42.348$; $\rho = 1000 \text{ kg/m}^3$

Phantom section: Flat Section

Ambient temperature: 21.9°C; Liquid temperature: 21.6°C

DASY5 Configuration:

- Probe: EX3DV4 - SN7642; ConvF(9.94, 9.88, 10.08) @ 793 MHz; Calibrated: 2023/2/20
- Sensor-Surface: 2mm (Mechanical Surface Detection)
- Electronics: DAE4 Sn1260; Calibrated: 2022/9/22
- Phantom: SAM
- DASY52 52.10.4(1527); SEMCAD X 14.6.14(7483)

Area Scan (61x161x1): Interpolated grid: dx=15 mm, dy=15 mm

Maximum value of SAR (interpolated) = 0.510 W/kg

Zoom Scan (5x5x7)/Cube 0: Measurement grid: dx=8mm, dy=8mm, dz=5mm

Reference Value = 14.41 V/m; Power Drift = 0.12 dB

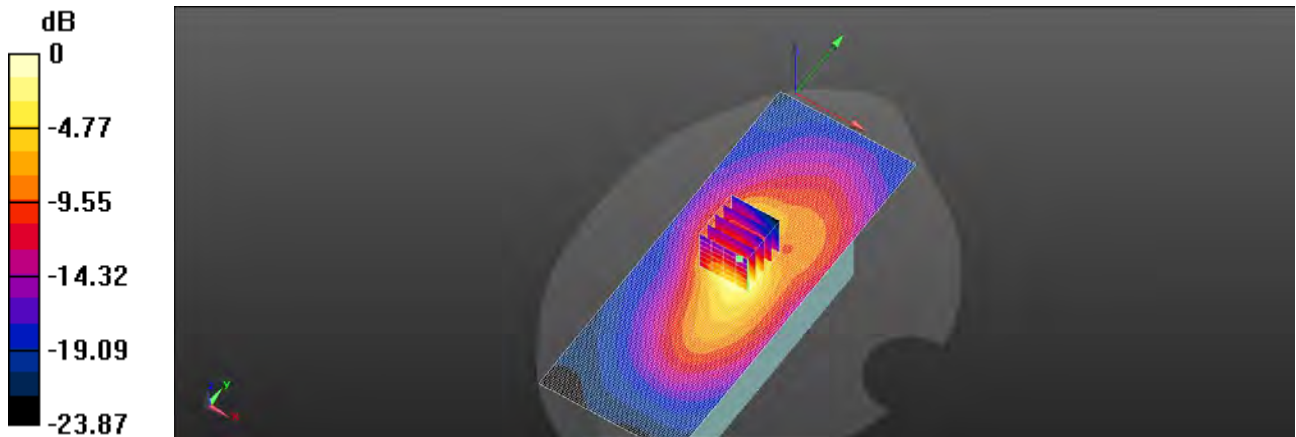
Peak SAR (extrapolated) = 0.630 W/kg

SAR(1 g) = 0.390 W/kg; SAR(10 g) = 0.228 W/kg

Smallest distance from peaks to all points 3 dB below = 10.2 mm

Ratio of SAR at M2 to SAR at M1 = 62.7%

Maximum value of SAR (measured) = 0.528 W/kg



0 dB = 0.510 W/kg = -2.92 dBW/kg

Unless otherwise stated the results shown in this test report refer only to the sample(s) tested and such sample(s) are retained for 90 days only.

除非另有說明，此報告結果僅對測試之樣品負責，同時此樣品僅保留90天。本報告未經本公司書面許可，不可部份複製。

This document is issued by the Company subject to its General Conditions of Service printed overleaf, available on request or accessible at <http://www.sgs.com.tw/Terms-and-Conditions> and for electronic format documents, subject to Terms and Conditions for Electronic Documents at <http://www.sgs.com.tw/Terms-and-Conditions>. Attention is drawn to the limitation of liability, indemnification and jurisdiction issues defined therein. Any holder of this document is advised that information contained hereon reflects the Company's findings at the time of its intervention only and within the limits of Client's instructions, if any. The Company's sole responsibility is to its Client and this document does not exonerate parties to a transaction from exercising all their rights and obligations under the transaction documents. This document cannot be reproduced except in full, without prior written approval of the Company. Any unauthorized alteration, forgery or falsification of the content or appearance of this document is unlawful and offenders may be prosecuted to the fullest extent of the law.

ID: 040

Report No. :TESA2303000153EN

LTE Band 17 (10M)_Body_Right Edge_CH 23780_QPSK_1-0_5mm_Ant3_Inter band

Communication System: LTE; Frequency: 709 MHz; Duty cycle= 1:1

Medium parameters used: $f = 709 \text{ MHz}$; $\sigma = 0.857 \text{ S/m}$; $\epsilon_r = 42.413$; $\rho = 1000 \text{ kg/m}^3$

Phantom section: Flat Section

Ambient temperature: 22.2°C; Liquid temperature: 21.8°C

DASY5 Configuration:

- Probe: EX3DV4 - SN7642; ConvF(9.94, 9.88, 10.08) @ 709 MHz; Calibrated: 2023/2/20
- Sensor-Surface: 2mm (Mechanical Surface Detection)
- Electronics: DAE4 Sn1260; Calibrated: 2022/9/22
- Phantom: SAM
- DASY52 52.10.4(1527); SEMCAD X 14.6.14(7483)

Area Scan (61x161x1): Interpolated grid: dx=15 mm, dy=15 mm

Maximum value of SAR (interpolated) = 0.625 W/kg

Zoom Scan (5x5x7)/Cube 0: Measurement grid: dx=8mm, dy=8mm, dz=5mm

Reference Value = 16.93 V/m; Power Drift = 0.18 dB

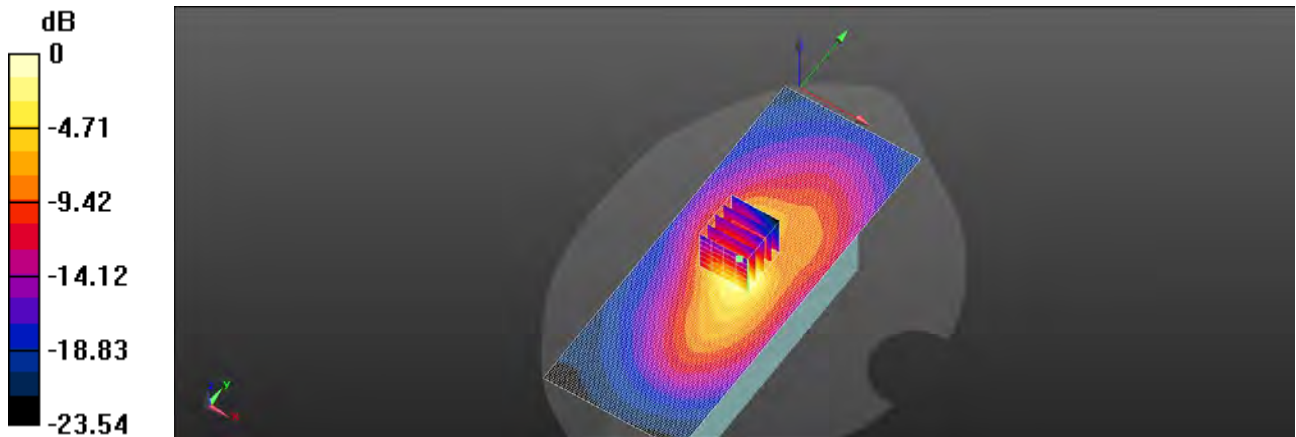
Peak SAR (extrapolated) = 0.772 W/kg

SAR(1 g) = 0.480 W/kg; SAR(10 g) = 0.281 W/kg

Smallest distance from peaks to all points 3 dB below = 9.1 mm

Ratio of SAR at M2 to SAR at M1 = 63.4%

Maximum value of SAR (measured) = 0.645 W/kg



0 dB = 0.625 W/kg = -2.04 dBW/kg

Unless otherwise stated the results shown in this test report refer only to the sample(s) tested and such sample(s) are retained for 90 days only.

除非另有說明，此報告結果僅對測試之樣品負責，同時此樣品僅保留90天。本報告未經本公司書面許可，不可部份複製。

This document is issued by the Company subject to its General Conditions of Service printed overleaf, available on request or accessible at <http://www.sgs.com.tw/Terms-and-Conditions> and for electronic format documents, subject to Terms and Conditions for Electronic Documents at <http://www.sgs.com.tw/Terms-and-Conditions>. Attention is drawn to the limitation of liability, indemnification and jurisdiction issues defined therein. Any holder of this document is advised that information contained hereon reflects the Company's findings at the time of its intervention only and within the limits of Client's instructions, if any. The Company's sole responsibility is to its Client and this document does not exonerate parties to a transaction from exercising all their rights and obligations under the transaction documents. This document cannot be reproduced except in full, without prior written approval of the Company. Any unauthorized alteration, forgery or falsification of the content or appearance of this document is unlawful and offenders may be prosecuted to the fullest extent of the law.

ID: 041

Report No. :TESA2303000153EN

LTE Band 25 (20M)_Body_Right Edge_CH 26140_QPSK_1-0_5mm_Ant3_Inter band

Communication System: LTE; Frequency: 1860 MHz; Duty cycle= 1:1

Medium parameters used: $f = 1860$ MHz; $\sigma = 1.399$ S/m; $\epsilon_r = 39.183$; $\rho = 1000$ kg/m³

Phantom section: Flat Section

Ambient temperature: 22.3°C; Liquid temperature: 21.9°C

DASY5 Configuration:a

- Probe: EX3DV4 - SN7642; ConvF(8.17, 8.08, 8.11) @ 1860 MHz; Calibrated: 2023/2/20
- Sensor-Surface: 2mm (Mechanical Surface Detection)
- Electronics: DAE4 Sn1260; Calibrated: 2022/9/22
- Phantom: SAM
- DASY52 52.10.4(1527); SEMCAD X 14.6.14(7483)

Area Scan (61x161x1): Interpolated grid: dx=15 mm, dy=15 mm

Maximum value of SAR (interpolated) = 0.829 W/kg

Zoom Scan (5x5x7)/Cube 0: Measurement grid: dx=8mm, dy=8mm, dz=5mm

Reference Value = 4.219 V/m; Power Drift = 0.13 dB

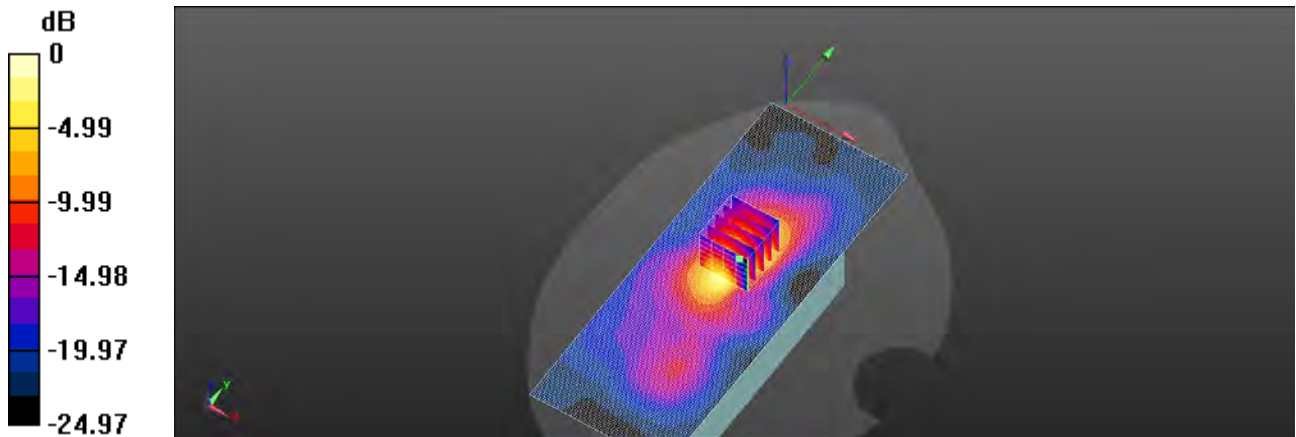
Peak SAR (extrapolated) = 0.974 W/kg

SAR(1 g) = 0.621 W/kg; SAR(10 g) = 0.338 W/kg

Smallest distance from peaks to all points 3 dB below = 9.3 mm

Ratio of SAR at M2 to SAR at M1 = 66%

Maximum value of SAR (measured) = 0.834 W/kg



0 dB = 0.829 W/kg = -0.81 dBW/kg

Unless otherwise stated the results shown in this test report refer only to the sample(s) tested and such sample(s) are retained for 90 days only.

除非另有說明，此報告結果僅對測試之樣品負責，同時此樣品僅保留90天。本報告未經本公司書面許可，不可部份複製。

This document is issued by the Company subject to its General Conditions of Service printed overleaf, available on request or accessible at <http://www.sgs.com.tw/Terms-and-Conditions> and for electronic format documents, subject to Terms and Conditions for Electronic Documents at <http://www.sgs.com.tw/Terms-and-Conditions>. Attention is drawn to the limitation of liability, indemnification and jurisdiction issues defined therein. Any holder of this document is advised that information contained hereon reflects the Company's findings at the time of its intervention only and within the limits of Client's instructions, if any. The Company's sole responsibility is to its Client and this document does not exonerate parties to a transaction from exercising all their rights and obligations under the transaction documents. This document cannot be reproduced except in full, without prior written approval of the Company. Any unauthorized alteration, forgery or falsification of the content or appearance of this document is unlawful and offenders may be prosecuted to the fullest extent of the law.

ID: 042

Report No. :TESA2303000153EN

LTE Band 26 (15M)_Body_Right Edge_CH 26865_QPSK_1-0_5mm_Ant3_FCC_Inter band

Communication System: LTE; Frequency: 831.5 MHz; Duty cycle= 1:1

Medium parameters used: $f = 831.5 \text{ MHz}$; $\sigma = 0.875 \text{ S/m}$; $\epsilon_r = 40.636$; $\rho = 1000 \text{ kg/m}^3$

Phantom section: Flat Section

Ambient temperature: 21.9°C; Liquid temperature: 21.6°C

DASY5 Configuration:

- Probe: EX3DV4 - SN7642; ConvF(9.95, 9.92, 9.79) @ 831.5 MHz; Calibrated: 2023/2/20
- Sensor-Surface: 2mm (Mechanical Surface Detection)
- Electronics: DAE4 Sn1260; Calibrated: 2022/9/22
- Phantom: SAM
- DASY52 52.10.4(1527); SEMCAD X 14.6.14(7483)

Area Scan (61x161x1): Interpolated grid: dx=15 mm, dy=15 mm

Maximum value of SAR (interpolated) = 0.585 W/kg

Zoom Scan (5x5x7)/Cube 0: Measurement grid: dx=8mm, dy=8mm, dz=5mm

Reference Value = 15.24 V/m; Power Drift = 0.12 dB

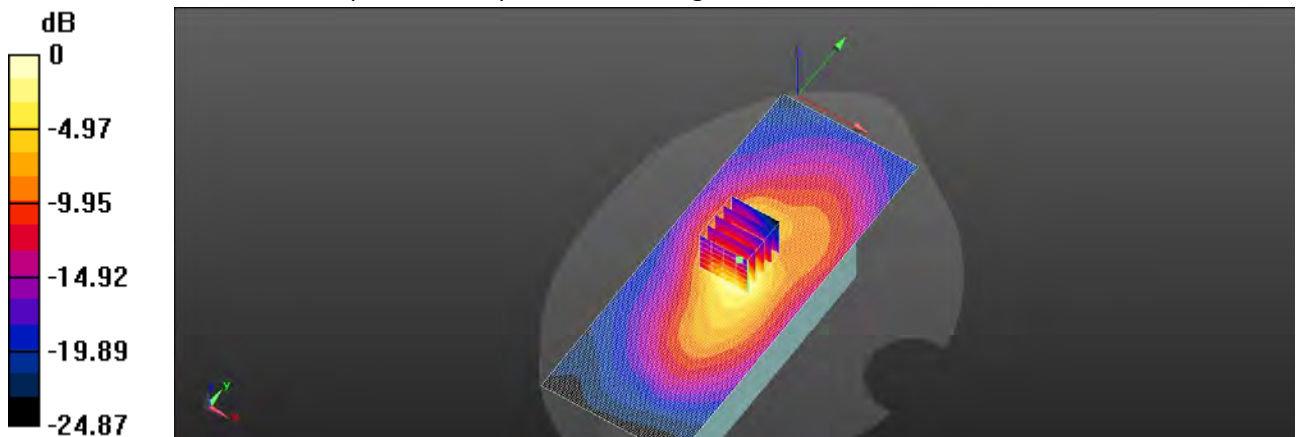
Peak SAR (extrapolated) = 0.737 W/kg

SAR(1 g) = 0.455 W/kg; SAR(10 g) = 0.266 W/kg

Smallest distance from peaks to all points 3 dB below = 9.1 mm

Ratio of SAR at M2 to SAR at M1 = 62.8%

Maximum value of SAR (measured) = 0.613 W/kg



0 dB = 0.585 W/kg = -2.33 dBW/kg

Unless otherwise stated the results shown in this test report refer only to the sample(s) tested and such sample(s) are retained for 90 days only.

除非另有說明，此報告結果僅對測試之樣品負責，同時此樣品僅保留90天。本報告未經本公司書面許可，不可部份複製。

This document is issued by the Company subject to its General Conditions of Service printed overleaf, available on request or accessible at <http://www.sgs.com.tw/Terms-and-Conditions> and for electronic format documents, subject to Terms and Conditions for Electronic Documents at <http://www.sgs.com.tw/Terms-and-Conditions>. Attention is drawn to the limitation of liability, indemnification and jurisdiction issues defined therein. Any holder of this document is advised that information contained hereon reflects the Company's findings at the time of its intervention only and within the limits of Client's instructions, if any. The Company's sole responsibility is to its Client and this document does not exonerate parties to a transaction from exercising all their rights and obligations under the transaction documents. This document cannot be reproduced except in full, without prior written approval of the Company. Any unauthorized alteration, forgery or falsification of the content or appearance of this document is unlawful and offenders may be prosecuted to the fullest extent of the law.

ID: 044

Report No. :TESA2303000153EN

LTE Band 30 (10M)_Body_Right Edge_CH 27710_QPSK_1-0_5mm_Ant3

Communication System: LTE; Frequency: 2310 MHz; Duty cycle= 1:1

Medium parameters used: $f = 2310$ MHz; $\sigma = 1.731$ S/m; $\epsilon_r = 38.512$; $\rho = 1000$ kg/m³

Phantom section: Flat Section

Ambient temperature: 22.1°C; Liquid temperature: 21.8°C

DASY5 Configuration:

- Probe: EX3DV4 - SN7642; ConvF(8.06, 7.96, 7.99) @ 2310 MHz; Calibrated: 2023/2/20
- Sensor-Surface: 2mm (Mechanical Surface Detection)
- Electronics: DAE4 Sn1260; Calibrated: 2022/9/22
- Phantom: SAM
- DASY52 52.10.4(1527); SEMCAD X 14.6.14(7483)

Area Scan (81x201x1): Interpolated grid: dx=12 mm, dy=12 mm

Maximum value of SAR (interpolated) = 0.946 W/kg

Zoom Scan (7x7x7)/Cube 0: Measurement grid: dx=5mm, dy=5mm, dz=5mm

Reference Value = 12.33 V/m; Power Drift = 0.12 dB

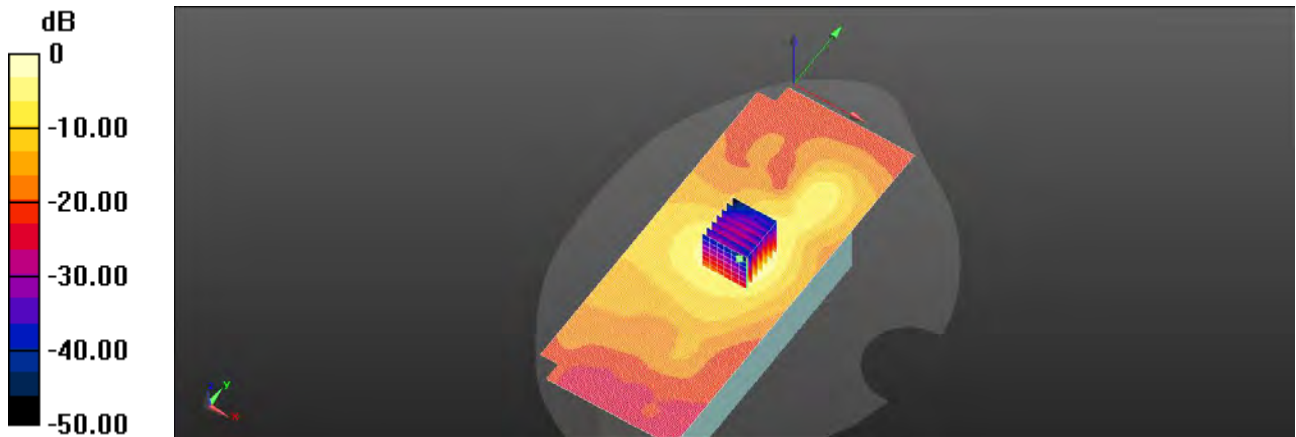
Peak SAR (extrapolated) = 1.25 W/kg

SAR(1 g) = 0.697 W/kg; SAR(10 g) = 0.343 W/kg

Smallest distance from peaks to all points 3 dB below = 8.5 mm

Ratio of SAR at M2 to SAR at M1 = 59.3%

Maximum value of SAR (measured) = 1.02 W/kg



0 dB = 0.946 W/kg = -0.24 dBW/kg

Unless otherwise stated the results shown in this test report refer only to the sample(s) tested and such sample(s) are retained for 90 days only.

除非另有說明，此報告結果僅對測試之樣品負責，同時此樣品僅保留90天。本報告未經本公司書面許可，不可部份複製。

This document is issued by the Company subject to its General Conditions of Service printed overleaf, available on request or accessible at <http://www.sgs.com.tw/Terms-and-Conditions> and for electronic format documents, subject to Terms and Conditions for Electronic Documents at <http://www.sgs.com.tw/Terms-and-Conditions>. Attention is drawn to the limitation of liability, indemnification and jurisdiction issues defined therein. Any holder of this document is advised that information contained hereon reflects the Company's findings at the time of its intervention only and within the limits of Client's instructions, if any. The Company's sole responsibility is to its Client and this document does not exonerate parties to a transaction from exercising all their rights and obligations under the transaction documents. This document cannot be reproduced except in full, without prior written approval of the Company. Any unauthorized alteration, forgery or falsification of the content or appearance of this document is unlawful and offenders may be prosecuted to the fullest extent of the law.

ID: 045

Report No. :TESA2303000153EN

LTE Band 66 (20M)_Body_Right Edge_CH 132072_QPSK_1-0_5mm_Ant3_Inter band

Communication System: LTE; Frequency: 1720 MHz; Duty cycle= 1:1

Medium parameters used: $f = 1720$ MHz; $\sigma = 1.304$ S/m; $\epsilon_r = 39.409$; $\rho = 1000$ kg/m³

Phantom section: Flat Section

Ambient temperature: 22.2°C; Liquid temperature: 21.8°C

DASY5 Configuration:

- Probe: EX3DV4 - SN7642; ConvF(8.5, 8.42, 8.36) @ 1720 MHz; Calibrated: 2023/2/20
- Sensor-Surface: 2mm (Mechanical Surface Detection)
- Electronics: DAE4 Sn1260; Calibrated: 2022/9/22
- Phantom: SAM
- DASY52 52.10.4(1527); SEMCAD X 14.6.14(7483)

Area Scan (61x161x1): Interpolated grid: dx=15 mm, dy=15 mm

Maximum value of SAR (interpolated) = 0.698 W/kg

Zoom Scan (5x5x7)/Cube 0: Measurement grid: dx=8mm, dy=8mm, dz=5mm

Reference Value = 3.607 V/m; Power Drift = 0.18 dB

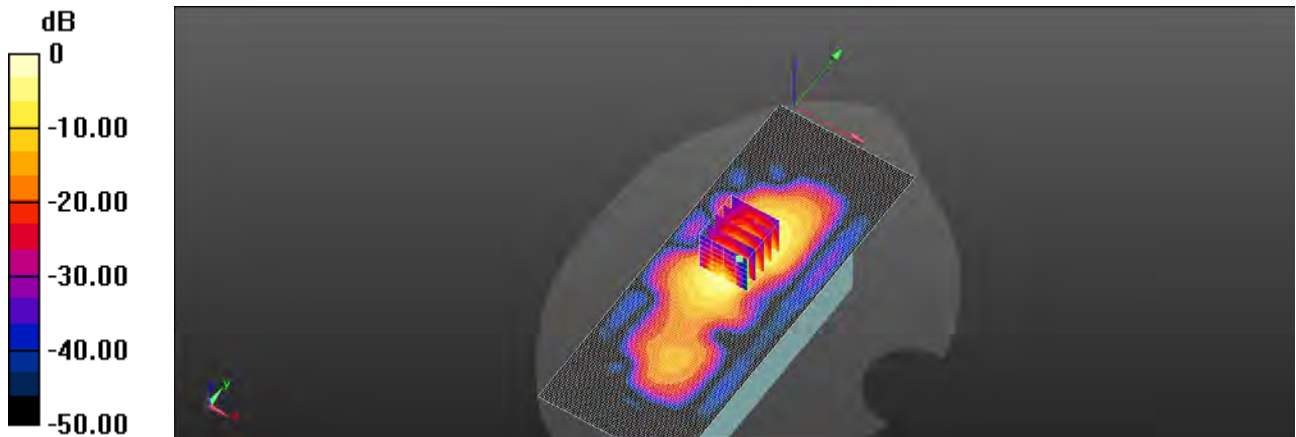
Peak SAR (extrapolated) = 0.717 W/kg

SAR(1 g) = 0.452 W/kg; SAR(10 g) = 0.248 W/kg

Smallest distance from peaks to all points 3 dB below = 8.2 mm

Ratio of SAR at M2 to SAR at M1 = 68.7%

Maximum value of SAR (measured) = 0.569 W/kg



0 dB = 0.698 W/kg = -1.56 dBW/kg

Unless otherwise stated the results shown in this test report refer only to the sample(s) tested and such sample(s) are retained for 90 days only.

除非另有說明，此報告結果僅對測試之樣品負責，同時此樣品僅保留90天。本報告未經本公司書面許可，不可部份複製。

This document is issued by the Company subject to its General Conditions of Service printed overleaf, available on request or accessible at <http://www.sgs.com.tw/Terms-and-Conditions> and for electronic format documents, subject to Terms and Conditions for Electronic Documents at <http://www.sgs.com.tw/Terms-and-Conditions>. Attention is drawn to the limitation of liability, indemnification and jurisdiction issues defined therein. Any holder of this document is advised that information contained hereon reflects the Company's findings at the time of its intervention only and within the limits of Client's instructions, if any. The Company's sole responsibility is to its Client and this document does not exonerate parties to a transaction from exercising all their rights and obligations under the transaction documents. This document cannot be reproduced except in full, without prior written approval of the Company. Any unauthorized alteration, forgery or falsification of the content or appearance of this document is unlawful and offenders may be prosecuted to the fullest extent of the law.

ID: 046

Report No. :TESA2303000153EN

LTE Band 71 (20M)_Body_Right Edge_CH 133297_QPSK_1-0_5mm_Ant3_Inter band

Communication System: LTE; Frequency: 680.5 MHz; Duty cycle= 1:1

Medium parameters used: $f = 680.5 \text{ MHz}$; $\sigma = 0.851 \text{ S/m}$; $\epsilon_r = 42.811$; $\rho = 1000 \text{ kg/m}^3$

Phantom section: Flat Section

Ambient temperature: 22.2°C; Liquid temperature: 21.8°C

DASY5 Configuration:

- Probe: EX3DV4 - SN7642; ConvF(9.94, 9.88, 10.08) @ 680.5 MHz; Calibrated: 2023/2/20
- Sensor-Surface: 2mm (Mechanical Surface Detection)
- Electronics: DAE4 Sn1260; Calibrated: 2022/9/22
- Phantom: SAM
- DASY52 52.10.4(1527); SEMCAD X 14.6.14(7483)

Area Scan (61x161x1): Interpolated grid: dx=15 mm, dy=15 mm

Maximum value of SAR (interpolated) = 0.549 W/kg

Zoom Scan (5x5x7)/Cube 0: Measurement grid: dx=8mm, dy=8mm, dz=5mm

Reference Value = 14.89 V/m; Power Drift = 0.18 dB

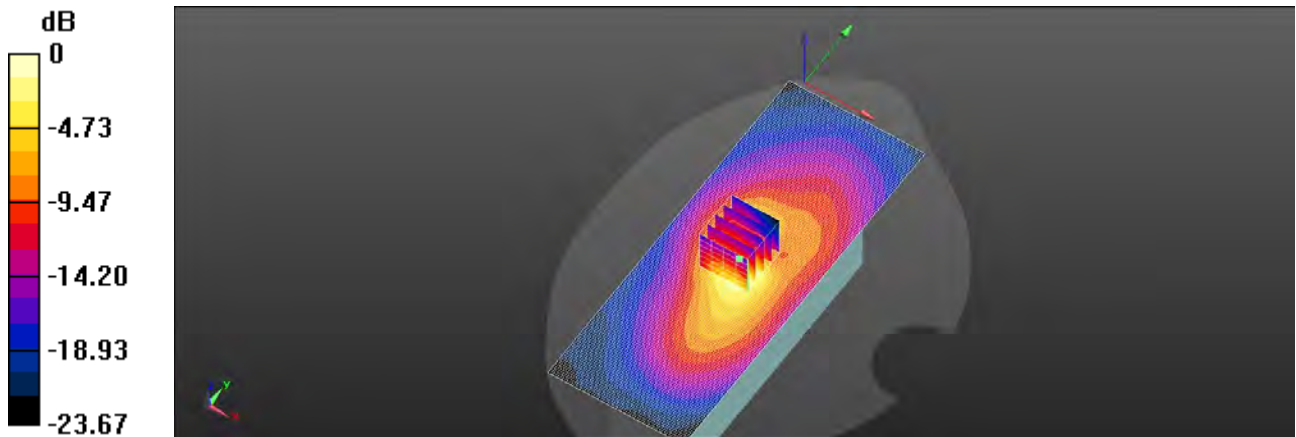
Peak SAR (extrapolated) = 0.664 W/kg

SAR(1 g) = 0.413 W/kg; SAR(10 g) = 0.243 W/kg

Smallest distance from peaks to all points 3 dB below = 10.2 mm

Ratio of SAR at M2 to SAR at M1 = 63%

Maximum value of SAR (measured) = 0.556 W/kg



0 dB = 0.549 W/kg = -2.60 dBW/kg

Unless otherwise stated the results shown in this test report refer only to the sample(s) tested and such sample(s) are retained for 90 days only.

除非另有說明，此報告結果僅對測試之樣品負責，同時此樣品僅保留90天。本報告未經本公司書面許可，不可部份複製。

This document is issued by the Company subject to its General Conditions of Service printed overleaf, available on request or accessible at <http://www.sgs.com.tw/Terms-and-Conditions> and for electronic format documents, subject to Terms and Conditions for Electronic Documents at <http://www.sgs.com.tw/Terms-and-Conditions>. Attention is drawn to the limitation of liability, indemnification and jurisdiction issues defined therein. Any holder of this document is advised that information contained hereon reflects the Company's findings at the time of its intervention only and within the limits of Client's instructions, if any. The Company's sole responsibility is to its Client and this document does not exonerate parties to a transaction from exercising all their rights and obligations under the transaction documents. This document cannot be reproduced except in full, without prior written approval of the Company. Any unauthorized alteration, forgery or falsification of the content or appearance of this document is unlawful and offenders may be prosecuted to the fullest extent of the law.

ID: 047

Report No. :TESA2303000153EN

NR n7 (40MHz)_Body_Right Edge_CH 510000_Pi/2 BPSK_1-1_5mm_Ant3

Communication System: 5G NR(40MHz,Pi/2 BPSK, 15kHz); Frequency: 2550 MHz; Duty cycle= 1:1

Medium parameters used: $f = 2550 \text{ MHz}$; $\sigma = 1.879 \text{ S/m}$; $\epsilon_r = 37.864$; $\rho = 1000 \text{ kg/m}^3$

Phantom section: Flat Section

Ambient temperature: 21.9°C; Liquid temperature: 21.6°C

DASY5 Configuration:

- Probe: EX3DV4 - SN7642; ConvF(7.71, 7.59, 7.66) @ 2550 MHz; Calibrated: 2023/2/20
- Sensor-Surface: 2mm (Mechanical Surface Detection)
- Electronics: DAE4 Sn1260; Calibrated: 2022/9/22
- Phantom: SAM
- DASY52 52.10.4(1527); SEMCAD X 14.6.14(7483)

Area Scan (81x201x1): Interpolated grid: dx=12 mm, dy=12 mm

Maximum value of SAR (interpolated) = 0.966 W/kg

Zoom Scan (7x7x7)/Cube 0: Measurement grid: dx=5mm, dy=5mm, dz=5mm

Reference Value = 11.34 V/m; Power Drift = 0.11 dB

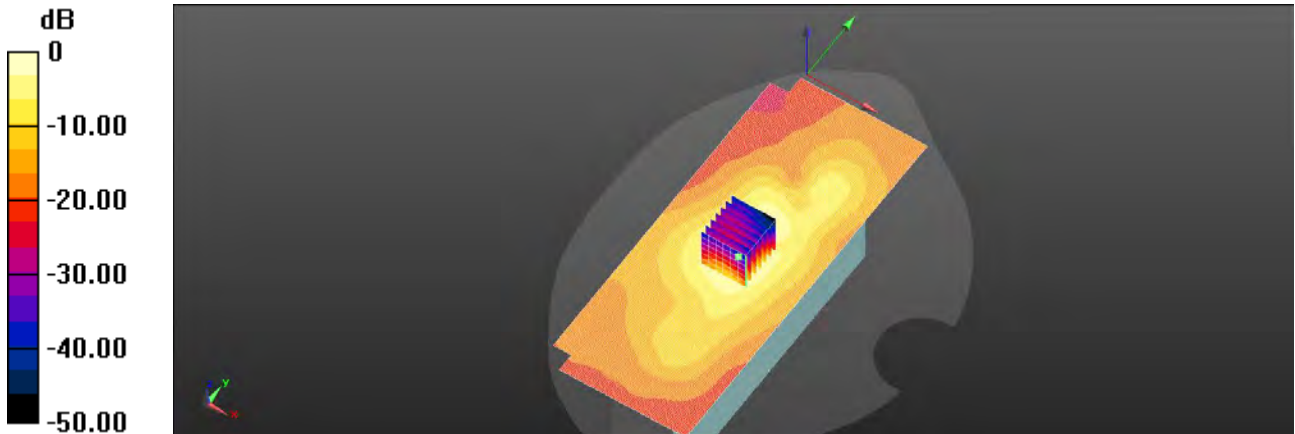
Peak SAR (extrapolated) = 1.29 W/kg

SAR(1 g) = 0.715 W/kg; SAR(10 g) = 0.369 W/kg

Smallest distance from peaks to all points 3 dB below = 8.5 mm

Ratio of SAR at M2 to SAR at M1 = 59.3%

Maximum value of SAR (measured) = 0.998 W/kg



0 dB = 0.966 W/kg = -0.15 dBW/kg

Unless otherwise stated the results shown in this test report refer only to the sample(s) tested and such sample(s) are retained for 90 days only.

除非另有說明，此報告結果僅對測試之樣品負責，同時此樣品僅保留90天。本報告未經本公司書面許可，不可部份複製。

This document is issued by the Company subject to its General Conditions of Service printed overleaf, available on request or accessible at <http://www.sgs.com.tw/Terms-and-Conditions> and for electronic format documents, subject to Terms and Conditions for Electronic Documents at <http://www.sgs.com.tw/Terms-and-Conditions>. Attention is drawn to the limitation of liability, indemnification and jurisdiction issues defined therein. Any holder of this document is advised that information contained hereon reflects the Company's findings at the time of its intervention only and within the limits of Client's instructions, if any. The Company's sole responsibility is to its Client and this document does not exonerate parties to a transaction from exercising all their rights and obligations under the transaction documents. This document cannot be reproduced except in full, without prior written approval of the Company. Any unauthorized alteration, forgery or falsification of the content or appearance of this document is unlawful and offenders may be prosecuted to the fullest extent of the law.

ID: 048

Report No. :TESA2303000153EN

NR n30 (20MHz)_Body_Right Edge_CH 462000_Pi/2 BPSK_1-1_5mm_Ant3

Communication System: 5G NR(20MHz,Pi/2 BPSK, 15kHz); Frequency: 2310 MHz; Duty cycle= 1:1

Medium parameters used: $f = 2310 \text{ MHz}$; $\sigma = 1.731 \text{ S/m}$; $\epsilon_r = 38.512$; $\rho = 1000 \text{ kg/m}^3$

Phantom section: Flat Section

Ambient temperature: 22.1°C; Liquid temperature: 21.8°C

DASY5 Configuration:

- Probe: EX3DV4 - SN7642; ConvF(8.06, 7.96, 7.99) @ 2310 MHz; Calibrated: 2023/2/20
- Sensor-Surface: 2mm (Mechanical Surface Detection)
- Electronics: DAE4 Sn1260; Calibrated: 2022/9/22
- Phantom: SAM
- DASY52 52.10.4(1527); SEMCAD X 14.6.14(7483)

Area Scan (81x201x1): Interpolated grid: dx=12 mm, dy=12 mm

Maximum value of SAR (interpolated) = 0.759 W/kg

Zoom Scan (7x7x7)/Cube 0: Measurement grid: dx=5mm, dy=5mm, dz=5mm

Reference Value = 12.65 V/m; Power Drift = 0.03 dB

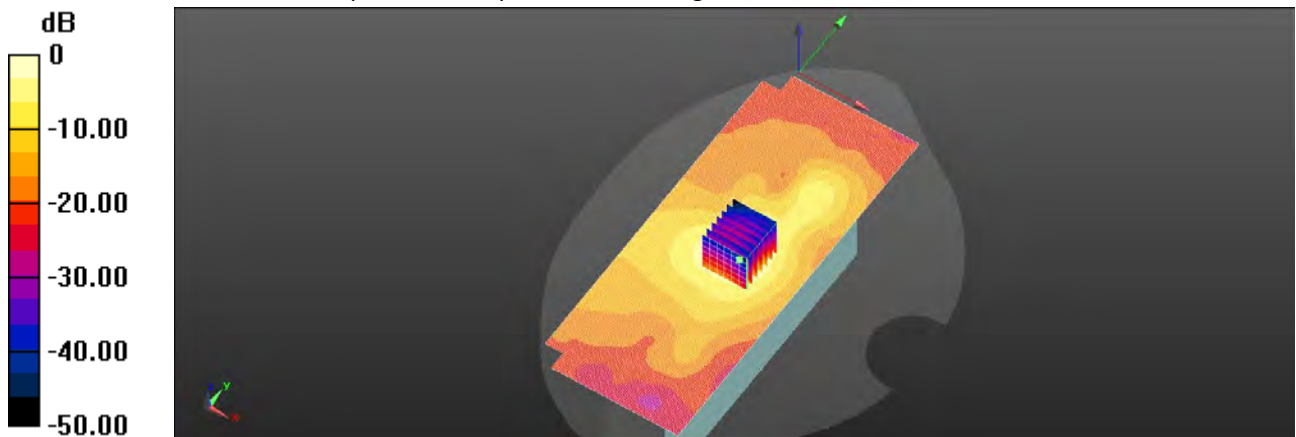
Peak SAR (extrapolated) = 1.02 W/kg

SAR(1 g) = 0.551 W/kg; SAR(10 g) = 0.268 W/kg

Smallest distance from peaks to all points 3 dB below = 8.9 mm

Ratio of SAR at M2 to SAR at M1 = 57.1%

Maximum value of SAR (measured) = 0.803 W/kg



0 dB = 0.759 W/kg = -1.20 dBW/kg

Unless otherwise stated the results shown in this test report refer only to the sample(s) tested and such sample(s) are retained for 90 days only.

除非另有說明，此報告結果僅對測試之樣品負責，同時此樣品僅保留90天。本報告未經本公司書面許可，不可部份複製。

This document is issued by the Company subject to its General Conditions of Service printed overleaf, available on request or accessible at <http://www.sgs.com.tw/Terms-and-Conditions> and for electronic format documents, subject to Terms and Conditions for Electronic Documents at <http://www.sgs.com.tw/Terms-and-Conditions>. Attention is drawn to the limitation of liability, indemnification and jurisdiction issues defined therein. Any holder of this document is advised that information contained hereon reflects the Company's findings at the time of its intervention only and within the limits of Client's instructions, if any. The Company's sole responsibility is to its Client and this document does not exonerate parties to a transaction from exercising all their rights and obligations under the transaction documents. This document cannot be reproduced except in full, without prior written approval of the Company. Any unauthorized alteration, forgery or falsification of the content or appearance of this document is unlawful and offenders may be prosecuted to the fullest extent of the law.

ID: 049

Report No. :TESA2303000153EN

NR n38 (40MHz)_Body_Right Edge_CH 518000_Pi/2 BPSK_1-1_5mm_Ant3

Communication System: 5G NR(40MHz,Pi/2 BPSK, 30kHz); Frequency: 2590 MHz; Duty cycle= 1:1

Medium parameters used: $f = 2590 \text{ MHz}$; $\sigma = 1.903 \text{ S/m}$; $\epsilon_r = 37.819$; $\rho = 1000 \text{ kg/m}^3$

Phantom section: Flat Section

Ambient temperature: 21.9°C; Liquid temperature: 21.6°C

DASY5 Configuration:

- Probe: EX3DV4 - SN7642; ConvF(7.71, 7.59, 7.66) @ 2590 MHz; Calibrated: 2023/2/20
- Sensor-Surface: 2mm (Mechanical Surface Detection)
- Electronics: DAE4 Sn1260; Calibrated: 2022/9/22
- Phantom: SAM
- DASY52 52.10.4(1527); SEMCAD X 14.6.14(7483)

Area Scan (81x201x1): Interpolated grid: dx=12 mm, dy=12 mm

Maximum value of SAR (interpolated) = 0.936 W/kg

Zoom Scan (7x7x7)/Cube 0: Measurement grid: dx=5mm, dy=5mm, dz=5mm

Reference Value = 8.073 V/m; Power Drift = 0.18 dB

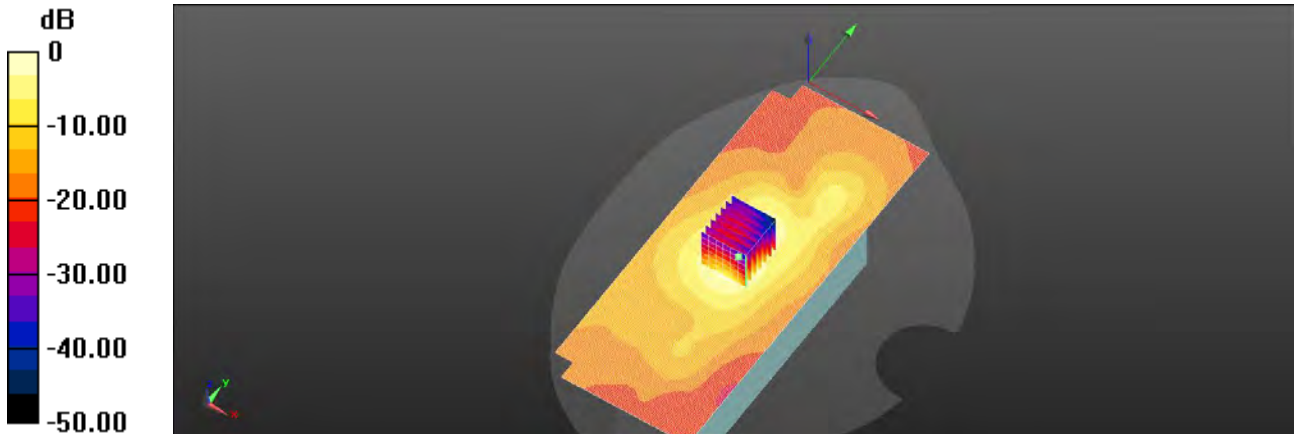
Peak SAR (extrapolated) = 1.22 W/kg

SAR(1 g) = 0.695 W/kg; SAR(10 g) = 0.360 W/kg

Smallest distance from peaks to all points 3 dB below = 8.5 mm

Ratio of SAR at M2 to SAR at M1 = 61.8%

Maximum value of SAR (measured) = 0.948 W/kg



0 dB = 0.936 W/kg = -0.29 dBW/kg

Unless otherwise stated the results shown in this test report refer only to the sample(s) tested and such sample(s) are retained for 90 days only.

除非另有說明，此報告結果僅對測試之樣品負責，同時此樣品僅保留90天。本報告未經本公司書面許可，不可部份複製。

This document is issued by the Company subject to its General Conditions of Service printed overleaf, available on request or accessible at <http://www.sgs.com.tw/Terms-and-Conditions> and for electronic format documents, subject to Terms and Conditions for Electronic Documents at <http://www.sgs.com.tw/Terms-and-Conditions>. Attention is drawn to the limitation of liability, indemnification and jurisdiction issues defined therein. Any holder of this document is advised that information contained hereon reflects the Company's findings at the time of its intervention only and within the limits of Client's instructions, if any. The Company's sole responsibility is to its Client and this document does not exonerate parties to a transaction from exercising all their rights and obligations under the transaction documents. This document cannot be reproduced except in full, without prior written approval of the Company. Any unauthorized alteration, forgery or falsification of the content or appearance of this document is unlawful and offenders may be prosecuted to the fullest extent of the law.

ID: 050

Report No. :TESA2303000153EN

NR n38 (40MHz)_Body_Right Edge_CH 518000_Pi/2 BPSK_1-1_5mm_Ant3_HPUE

Communication System: 5G NR(40MHz,Pi/2 BPSK, 30kHz); Frequency: 2590 MHz; Duty cycle= 1:1

Medium parameters used: $f = 2590 \text{ MHz}$; $\sigma = 1.905 \text{ S/m}$; $\epsilon_r = 37.586$; $\rho = 1000 \text{ kg/m}^3$

Phantom section: Flat Section

Ambient temperature: 22.0°C; Liquid temperature: 21.7°C

DASY5 Configuration:

- Probe: EX3DV4 - SN7642; ConvF(7.71, 7.59, 7.66) @ 2590 MHz; Calibrated: 2023/2/20
- Sensor-Surface: 2mm (Mechanical Surface Detection)
- Electronics: DAE4 Sn1260; Calibrated: 2022/9/22
- Phantom: SAM
- DASY52 52.10.4(1527); SEMCAD X 14.6.14(7483)

Area Scan (81x201x1): Interpolated grid: dx=12 mm, dy=12 mm

Maximum value of SAR (interpolated) = 1.17 W/kg

Zoom Scan (7x7x7)/Cube 0: Measurement grid: dx=5mm, dy=5mm, dz=5mm

Reference Value = 9.084 V/m; Power Drift = 0.12 dB

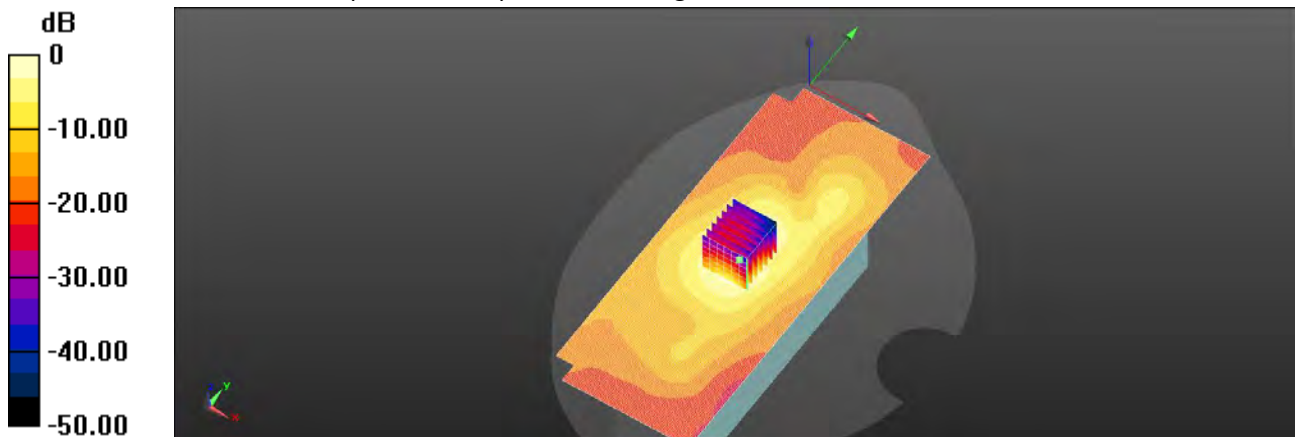
Peak SAR (extrapolated) = 1.54 W/kg

SAR(1 g) = 0.875 W/kg; SAR(10 g) = 0.452 W/kg

Smallest distance from peaks to all points 3 dB below = 8.5 mm

Ratio of SAR at M2 to SAR at M1 = 62.1%

Maximum value of SAR (measured) = 1.20 W/kg



0 dB = 1.17 W/kg = 0.69 dBW/kg

Unless otherwise stated the results shown in this test report refer only to the sample(s) tested and such sample(s) are retained for 90 days only.

除非另有說明，此報告結果僅對測試之樣品負責，同時此樣品僅保留90天。本報告未經本公司書面許可，不可部份複製。

This document is issued by the Company subject to its General Conditions of Service printed overleaf, available on request or accessible at <http://www.sgs.com.tw/Terms-and-Conditions> and for electronic format documents, subject to Terms and Conditions for Electronic Documents at <http://www.sgs.com.tw/Terms-and-Conditions>. Attention is drawn to the limitation of liability, indemnification and jurisdiction issues defined therein. Any holder of this document is advised that information contained hereon reflects the Company's findings at the time of its intervention only and within the limits of Client's instructions, if any. The Company's sole responsibility is to its Client and this document does not exonerate parties to a transaction from exercising all their rights and obligations under the transaction documents. This document cannot be reproduced except in full, without prior written approval of the Company. Any unauthorized alteration, forgery or falsification of the content or appearance of this document is unlawful and offenders may be prosecuted to the fullest extent of the law.

ID: 051

Report No. :TESA2303000153EN

NR n41 (100MHz)_Body_Right Edge_CH 518598_Pi/2 BPSK_1-1_5mm_Ant3

Communication System: 5G NR(100 MHz, Pi/2 BPSK, 30KHz; Frequency: 2592.99 MHz; Duty cycle= 1:1

Medium parameters used: $f = 2593 \text{ MHz}$; $\sigma = 1.908 \text{ S/m}$; $\epsilon_r = 37.582$; $\rho = 1000 \text{ kg/m}^3$

Phantom section: Flat Section

Ambient temperature: 22.0°C; Liquid temperature: 21.7°C

DASY5 Configuration:

- Probe: EX3DV4 - SN7642; ConvF(7.71, 7.59, 7.66) @ 2592.99 MHz; Calibrated: 2023/2/20
- Sensor-Surface: 2mm (Mechanical Surface Detection)
- Electronics: DAE4 Sn1260; Calibrated: 2022/9/22
- Phantom: SAM
- DASY52 52.10.4(1527); SEMCAD X 14.6.14(7483)

Area Scan (81x201x1): Interpolated grid: dx=12 mm, dy=12 mm

Maximum value of SAR (interpolated) = 0.983 W/kg

Zoom Scan (7x7x7)/Cube 0: Measurement grid: dx=5mm, dy=5mm, dz=5mm

Reference Value = 7.818 V/m; Power Drift = 0.14 dB

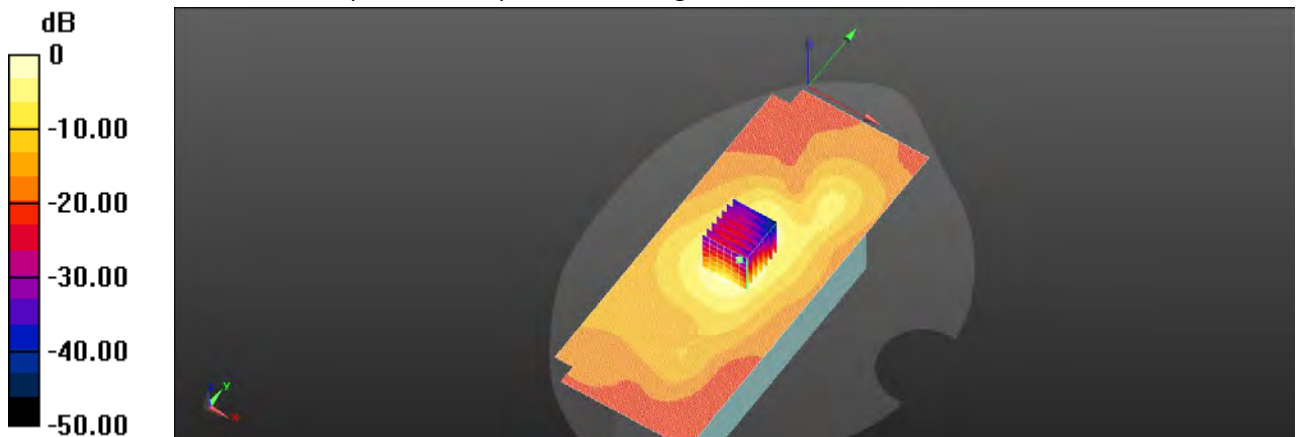
Peak SAR (extrapolated) = 1.29 W/kg

SAR(1 g) = 0.717 W/kg; SAR(10 g) = 0.366 W/kg

Smallest distance from peaks to all points 3 dB below = 8.1 mm

Ratio of SAR at M2 to SAR at M1 = 60.3%

Maximum value of SAR (measured) = 1.00 W/kg



0 dB = 0.983 W/kg = -0.07 dBW/kg

Unless otherwise stated the results shown in this test report refer only to the sample(s) tested and such sample(s) are retained for 90 days only.

除非另有說明，此報告結果僅對測試之樣品負責，同時此樣品僅保留90天。本報告未經本公司書面許可，不可部份複製。

This document is issued by the Company subject to its General Conditions of Service printed overleaf, available on request or accessible at <http://www.sgs.com.tw/Terms-and-Conditions> and for electronic format documents, subject to Terms and Conditions for Electronic Documents at <http://www.sgs.com.tw/Terms-and-Conditions>. Attention is drawn to the limitation of liability, indemnification and jurisdiction issues defined therein. Any holder of this document is advised that information contained hereon reflects the Company's findings at the time of its intervention only and within the limits of Client's instructions, if any. The Company's sole responsibility is to its Client and this document does not exonerate parties to a transaction from exercising all their rights and obligations under the transaction documents. This document cannot be reproduced except in full, without prior written approval of the Company. Any unauthorized alteration, forgery or falsification of the content or appearance of this document is unlawful and offenders may be prosecuted to the fullest extent of the law.

ID: 052

Report No. :TESA2303000153EN

NR n41 (100MHz)_Body_Right Edge_CH 518598_Pi/2 BPSK_1-1_5mm_Ant3_HPUE

Communication System: 5G NR(100 MHz, Pi/2 BPSK, 30KHz; Frequency: 2592.99 MHz; Duty cycle= 1:1

Medium parameters used: $f = 2593 \text{ MHz}$; $\sigma = 1.908 \text{ S/m}$; $\epsilon_r = 37.582$; $\rho = 1000 \text{ kg/m}^3$

Phantom section: Flat Section

Ambient temperature: 22.0°C; Liquid temperature: 21.7°C

DASY5 Configuration:

- Probe: EX3DV4 - SN7642; ConvF(7.71, 7.59, 7.66) @ 2592.99 MHz; Calibrated: 2023/2/20
- Sensor-Surface: 2mm (Mechanical Surface Detection)
- Electronics: DAE4 Sn1260; Calibrated: 2022/9/22
- Phantom: SAM
- DASY52 52.10.4(1527); SEMCAD X 14.6.14(7483)

Area Scan (81x201x1): Interpolated grid: dx=12 mm, dy=12 mm

Maximum value of SAR (interpolated) = 0.963 W/kg

Zoom Scan (7x7x7)/Cube 0: Measurement grid: dx=5mm, dy=5mm, dz=5mm

Reference Value = 7.955 V/m; Power Drift = 0.15 dB

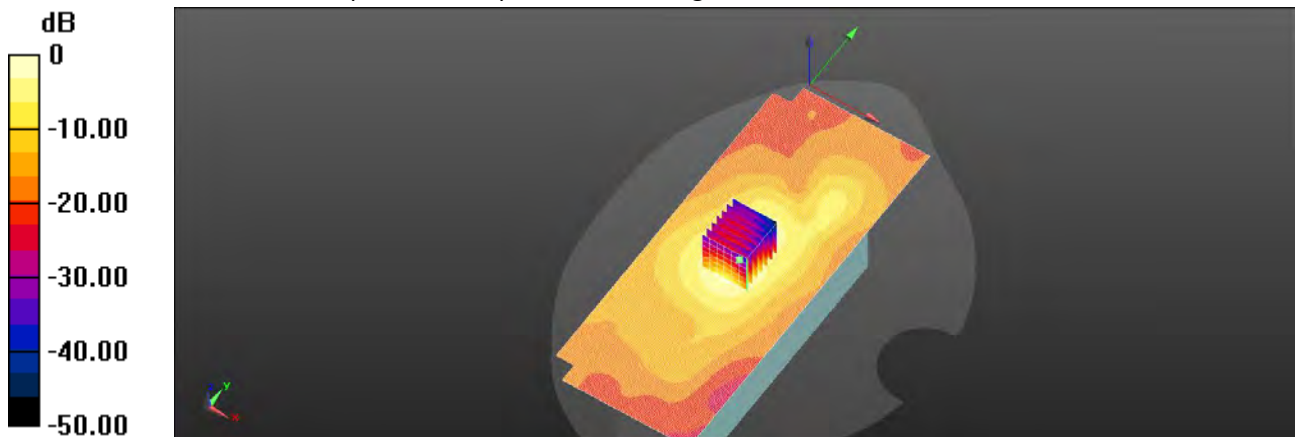
Peak SAR (extrapolated) = 1.28 W/kg

SAR(1 g) = 0.709 W/kg; SAR(10 g) = 0.364 W/kg

Smallest distance from peaks to all points 3 dB below = 7.8 mm

Ratio of SAR at M2 to SAR at M1 = 60.3%

Maximum value of SAR (measured) = 0.983 W/kg



0 dB = 0.963 W/kg = -0.17 dBW/kg

Unless otherwise stated the results shown in this test report refer only to the sample(s) tested and such sample(s) are retained for 90 days only.

除非另有說明，此報告結果僅對測試之樣品負責，同時此樣品僅保留90天。本報告未經本公司書面許可，不可部份複製。

This document is issued by the Company subject to its General Conditions of Service printed overleaf, available on request or accessible at <http://www.sgs.com.tw/Terms-and-Conditions> and for electronic format documents, subject to Terms and Conditions for Electronic Documents at <http://www.sgs.com.tw/Terms-and-Conditions>. Attention is drawn to the limitation of liability, indemnification and jurisdiction issues defined therein. Any holder of this document is advised that information contained hereon reflects the Company's findings at the time of its intervention only and within the limits of Client's instructions, if any. The Company's sole responsibility is to its Client and this document does not exonerate parties to a transaction from exercising all their rights and obligations under the transaction documents. This document cannot be reproduced except in full, without prior written approval of the Company. Any unauthorized alteration, forgery or falsification of the content or appearance of this document is unlawful and offenders may be prosecuted to the fullest extent of the law.

ID: 053

Report No. :TESA2303000153EN

NR n48 (40MHz)_Body_Right Edge_CH 638000_Pi/2 BPSK_1-1_5mm_Ant3

Communication System: 5G NR(40MHz,Pi/2 BPSK, 30kHz); Frequency: 3570 MHz; Duty cycle= 1:1

Medium parameters used: $f = 3570 \text{ MHz}$; $\sigma = 2.945 \text{ S/m}$; $\epsilon_r = 38.146$; $\rho = 1000 \text{ kg/m}^3$

Phantom section: Flat Section

Ambient temperature: 22.4°C; Liquid temperature: 22.1°C

DASY5 Configuration:

- Probe: EX3DV4 - SN7642; ConvF(6.96, 6.9, 6.91) @ 3570 MHz; Calibrated: 2023/2/20
- Sensor-Surface: 2mm (Mechanical Surface Detection)
- Electronics: DAE4 Sn1260; Calibrated: 2022/9/22
- Phantom: SAM
- DASY52 52.10.4(1527); SEMCAD X 14.6.14(7483)

Area Scan (81x201x1): Interpolated grid: dx=12 mm, dy=12 mm

Maximum value of SAR (interpolated) = 0.789 W/kg

Zoom Scan (7x7x8)/Cube 0: Measurement grid: dx=5mm, dy=5mm, dz=4mm

Reference Value = 8.462 V/m; Power Drift = 0.13 dB

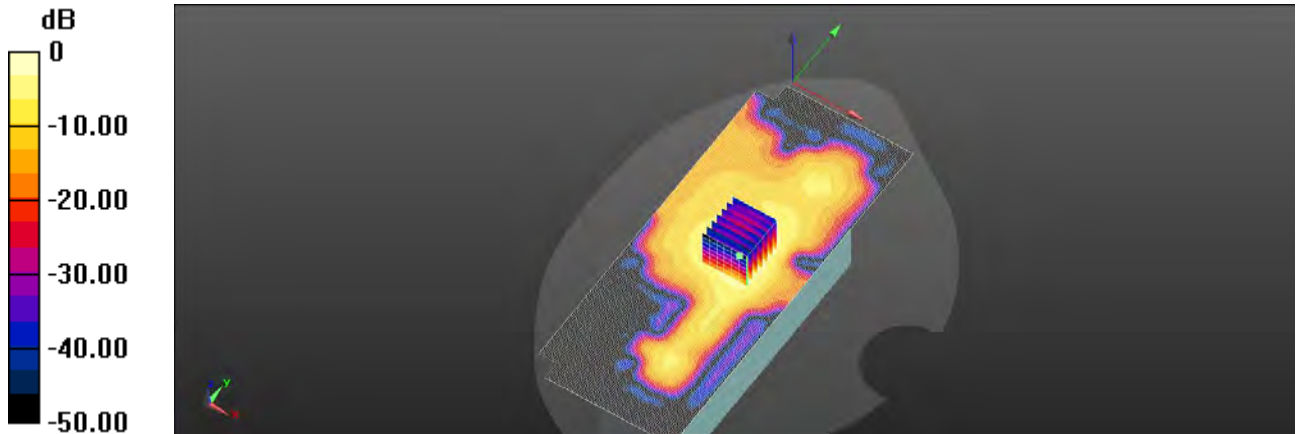
Peak SAR (extrapolated) = 1.02 W/kg

SAR(1 g) = 0.539 W/kg; SAR(10 g) = 0.259 W/kg

Smallest distance from peaks to all points 3 dB below = 10 mm

Ratio of SAR at M2 to SAR at M1 = 59.6%

Maximum value of SAR (measured) = 0.787 W/kg



0 dB = 0.789 W/kg = -1.03 dBW/kg

Unless otherwise stated the results shown in this test report refer only to the sample(s) tested and such sample(s) are retained for 90 days only.

除非另有說明，此報告結果僅對測試之樣品負責，同時此樣品僅保留90天。本報告未經本公司書面許可，不可部份複製。

This document is issued by the Company subject to its General Conditions of Service printed overleaf, available on request or accessible at <http://www.sgs.com.tw/Terms-and-Conditions> and for electronic format documents, subject to Terms and Conditions for Electronic Documents at <http://www.sgs.com.tw/Terms-and-Conditions>. Attention is drawn to the limitation of liability, indemnification and jurisdiction issues defined therein. Any holder of this document is advised that information contained hereon reflects the Company's findings at the time of its intervention only and within the limits of Client's instructions, if any. The Company's sole responsibility is to its Client and this document does not exonerate parties to a transaction from exercising all their rights and obligations under the transaction documents. This document cannot be reproduced except in full, without prior written approval of the Company. Any unauthorized alteration, forgery or falsification of the content or appearance of this document is unlawful and offenders may be prosecuted to the fullest extent of the law.

ID: 054

Report No. :TESA2303000153EN

NR n77 (100MHz)_Body_Right Edge_CH 650000_Pi/2 BPSK_1-1_5mm_Ant3_FCC_ULMIMO

Communication System: 5G NR(100 MHz, Pi/2 BPSK, 30KHz; Frequency: 3750 MHz; Duty cycle= 1:1

Medium parameters used: $f = 3750 \text{ MHz}$; $\sigma = 3.149 \text{ S/m}$; $\epsilon_r = 37.923$; $\rho = 1000 \text{ kg/m}^3$

Phantom section: Flat Section

Ambient temperature: 21.7°C; Liquid temperature: 21.5°C

DASY5 Configuration:

- Probe: EX3DV4 - SN7642; ConvF(6.84, 6.77, 6.79) @ 3750 MHz; Calibrated: 2023/2/20
- Sensor-Surface: 2mm (Mechanical Surface Detection)
- Electronics: DAE4 Sn1260; Calibrated: 2022/9/22
- Phantom: SAM
- DASY52 52.10.4(1527); SEMCAD X 14.6.14(7483)

Area Scan (81x201x1): Interpolated grid: dx=12 mm, dy=12 mm

Maximum value of SAR (interpolated) = 0.128 W/kg

Zoom Scan (7x7x8)/Cube 0: Measurement grid: dx=5mm, dy=5mm, dz=4mm

Reference Value = 3.174 V/m; Power Drift = 0.11 dB

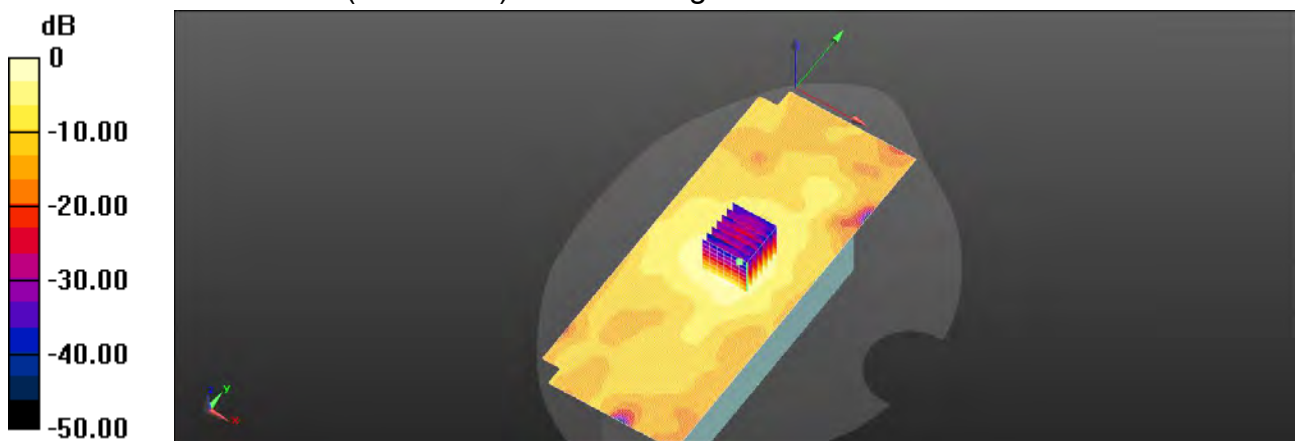
Peak SAR (extrapolated) = 0.162 W/kg

SAR(1 g) = 0.083 W/kg; SAR(10 g) = 0.039 W/kg

Smallest distance from peaks to all points 3 dB below = 11.3 mm

Ratio of SAR at M2 to SAR at M1 = 59.4%

Maximum value of SAR (measured) = 0.123 W/kg



0 dB = 0.128 W/kg = -8.94 dBW/kg

Unless otherwise stated the results shown in this test report refer only to the sample(s) tested and such sample(s) are retained for 90 days only.

除非另有說明，此報告結果僅對測試之樣品負責，同時此樣品僅保留90天。本報告未經本公司書面許可，不可部份複製。

This document is issued by the Company subject to its General Conditions of Service printed overleaf, available on request or accessible at <http://www.sgs.com.tw/Terms-and-Conditions> and for electronic format documents, subject to Terms and Conditions for Electronic Documents at <http://www.sgs.com.tw/Terms-and-Conditions>. Attention is drawn to the limitation of liability, indemnification and jurisdiction issues defined therein. Any holder of this document is advised that information contained hereon reflects the Company's findings at the time of its intervention only and within the limits of Client's instructions, if any. The Company's sole responsibility is to its Client and this document does not exonerate parties to a transaction from exercising all their rights and obligations under the transaction documents. This document cannot be reproduced except in full, without prior written approval of the Company. Any unauthorized alteration, forgery or falsification of the content or appearance of this document is unlawful and offenders may be prosecuted to the fullest extent of the law.

ID: 055

Report No. :TESA2303000153EN

NR n77 & n78 (100MHz)_Body_Right Edge_CH 633333_Pi/2 BPSK_1-1_5mm_Ant3_FCC_ULMIMO

Communication System: 5G NR(100 MHz, Pi/2 BPSK, 30KHz; Frequency: 3499.99 MHz; Duty cycle= 1:1

Medium parameters used: $f = 3500$ MHz; $\sigma = 2.879$ S/m; $\epsilon_r = 38.257$; $\rho = 1000$ kg/m³

Phantom section: Flat Section

Ambient temperature: 22.4°C; Liquid temperature: 22.1°C

DASY5 Configuration:

- Probe: EX3DV4 - SN7642; ConvF(6.96, 6.9, 6.91) @ 3499.99 MHz; Calibrated: 2023/2/20
- Sensor-Surface: 2mm (Mechanical Surface Detection)
- Electronics: DAE4 Sn1260; Calibrated: 2022/9/22
- Phantom: SAM
- DASY52 52.10.4(1527); SEMCAD X 14.6.14(7483)

Area Scan (81x201x1): Interpolated grid: dx=12 mm, dy=12 mm

Maximum value of SAR (interpolated) = 0.134 W/kg

Zoom Scan (7x7x8)/Cube 0: Measurement grid: dx=5mm, dy=5mm, dz=4mm

Reference Value = 3.225 V/m; Power Drift = 0.04 dB

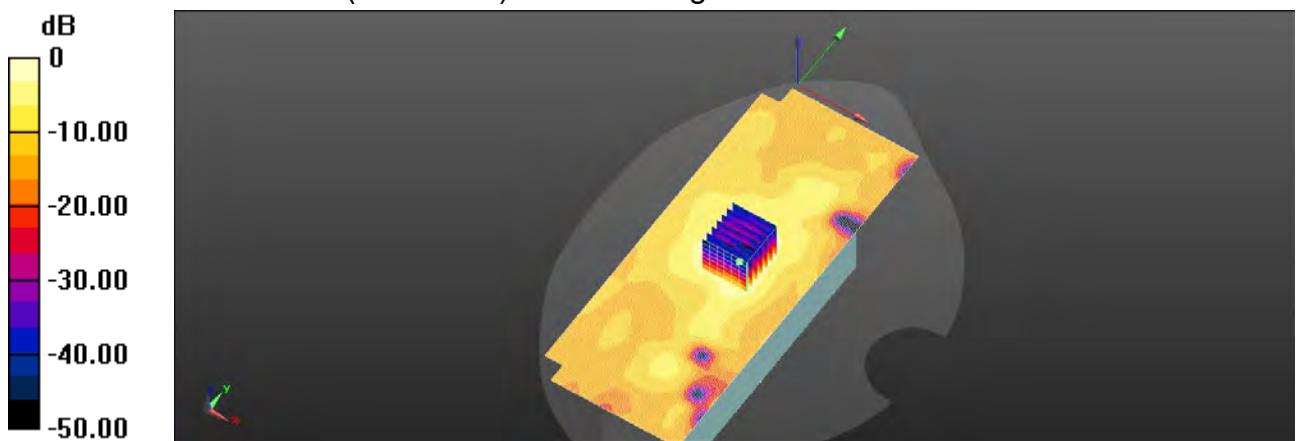
Peak SAR (extrapolated) = 0.169 W/kg

SAR(1 g) = 0.086 W/kg; SAR(10 g) = 0.041 W/kg

Smallest distance from peaks to all points 3 dB below = 12 mm

Ratio of SAR at M2 to SAR at M1 = 58.2%

Maximum value of SAR (measured) = 0.125 W/kg



0 dB = 0.134 W/kg = -8.72 dBW/kg

Unless otherwise stated the results shown in this test report refer only to the sample(s) tested and such sample(s) are retained for 90 days only.

除非另有說明，此報告結果僅對測試之樣品負責，同時此樣品僅保留90天。本報告未經本公司書面許可，不可部份複製。

This document is issued by the Company subject to its General Conditions of Service printed overleaf, available on request or accessible at <http://www.sgs.com.tw/Terms-and-Conditions> and for electronic format documents, subject to Terms and Conditions for Electronic Documents at <http://www.sgs.com.tw/Terms-and-Conditions>. Attention is drawn to the limitation of liability, indemnification and jurisdiction issues defined therein. Any holder of this document is advised that information contained hereon reflects the Company's findings at the time of its intervention only and within the limits of Client's instructions, if any. The Company's sole responsibility is to its Client and this document does not exonerate parties to a transaction from exercising all their rights and obligations under the transaction documents. This document cannot be reproduced except in full, without prior written approval of the Company. Any unauthorized alteration, forgery or falsification of the content or appearance of this document is unlawful and offenders may be prosecuted to the fullest extent of the law.

ID: 057

Report No. :TESA2303000153EN

NR n78 (100MHz)_Body_Right Edge_CH 650000_Pi/2 BPSK_1-1_5mm_Ant3_FCC_ULMIMO

Communication System: 5G NR(100 MHz, Pi/2 BPSK, 30KHz; Frequency: 3750 MHz; Duty cycle= 1:1

Medium parameters used: $f = 3750 \text{ MHz}$; $\sigma = 3.149 \text{ S/m}$; $\epsilon_r = 37.923$; $\rho = 1000 \text{ kg/m}^3$

Phantom section: Flat Section

Ambient temperature: 21.7°C; Liquid temperature: 21.5°C

DASY5 Configuration:

- Probe: EX3DV4 - SN7642; ConvF(6.84, 6.77, 6.79) @ 3750 MHz; Calibrated: 2023/2/20
- Sensor-Surface: 2mm (Mechanical Surface Detection)
- Electronics: DAE4 Sn1260; Calibrated: 2022/9/22
- Phantom: SAM
- DASY52 52.10.4(1527); SEMCAD X 14.6.14(7483)

Area Scan (81x201x1): Interpolated grid: dx=12 mm, dy=12 mm

Maximum value of SAR (interpolated) = 0.131 W/kg

Zoom Scan (7x7x8)/Cube 0: Measurement grid: dx=5mm, dy=5mm, dz=4mm

Reference Value = 3.126 V/m; Power Drift = 0.15 dB

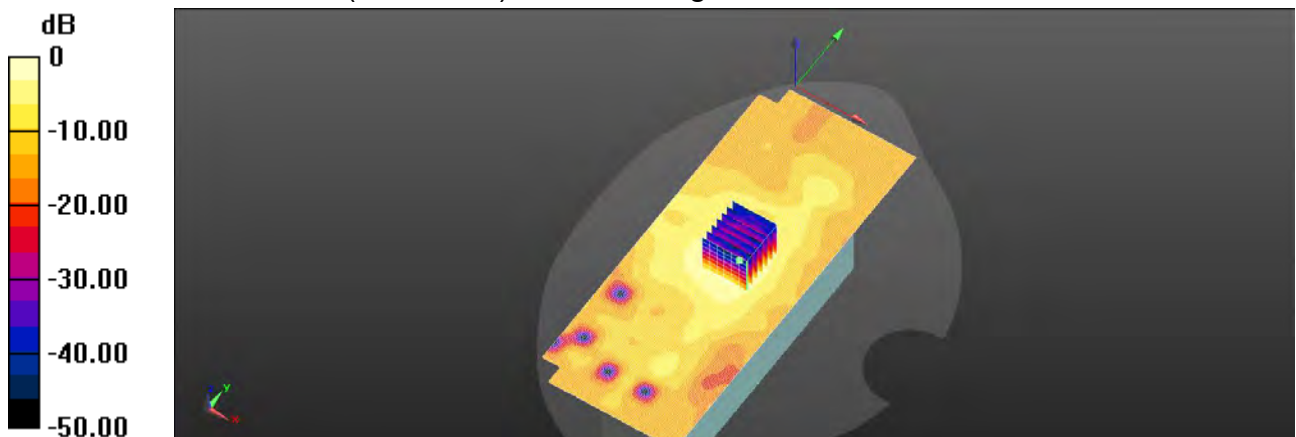
Peak SAR (extrapolated) = 0.165 W/kg

SAR(1 g) = 0.083 W/kg; SAR(10 g) = 0.039 W/kg

Smallest distance from peaks to all points 3 dB below = 11.3 mm

Ratio of SAR at M2 to SAR at M1 = 58.5%

Maximum value of SAR (measured) = 0.125 W/kg



0 dB = 0.131 W/kg = -8.83 dBW/kg

Unless otherwise stated the results shown in this test report refer only to the sample(s) tested and such sample(s) are retained for 90 days only.

除非另有說明，此報告結果僅對測試之樣品負責，同時此樣品僅保留90天。本報告未經本公司書面許可，不可部份複製。

This document is issued by the Company subject to its General Conditions of Service printed overleaf, available on request or accessible at <http://www.sgs.com.tw/Terms-and-Conditions> and for electronic format documents, subject to Terms and Conditions for Electronic Documents at <http://www.sgs.com.tw/Terms-and-Conditions>. Attention is drawn to the limitation of liability, indemnification and jurisdiction issues defined therein. Any holder of this document is advised that information contained hereon reflects the Company's findings at the time of its intervention only and within the limits of Client's instructions, if any. The Company's sole responsibility is to its Client and this document does not exonerate parties to a transaction from exercising all their rights and obligations under the transaction documents. This document cannot be reproduced except in full, without prior written approval of the Company. Any unauthorized alteration, forgery or falsification of the content or appearance of this document is unlawful and offenders may be prosecuted to the fullest extent of the law.

ID: 058

Report No. :TESA2303000156EN

WLAN 802.11b_Body_Right Edge_CH 1_5mm_Ant1

Communication System: WLAN 2.45G; Frequency: 2412 MHz; Duty cycle= 1:1.005

Medium parameters used: $f = 2412$ MHz; $\sigma = 1.754$ S/m; $\epsilon_r = 38.556$; $\rho = 1000$ kg/m³

Phantom section: Flat Section

Ambient temperature: 22.4°C; Liquid temperature: 22.1°C

DASY5 Configuration:

- Probe: EX3DV4 - SN7642; ConvF(7.89, 7.8, 7.84) @ 2412 MHz; Calibrated: 2023/2/20
- Sensor-Surface: 2mm (Mechanical Surface Detection)
- Electronics: DAE4 Sn1260; Calibrated: 2022/9/22
- Phantom: SAM
- DASY52 52.10.4(1527); SEMCAD X 14.6.14(7483)

Area Scan (71x171x1): Interpolated grid: dx=12 mm, dy=12 mm

Maximum value of SAR (interpolated) = 0.790 W/kg

Zoom Scan (7x7x7)/Cube 0: Measurement grid: dx=5mm, dy=5mm, dz=5mm

Reference Value = 2.943 V/m; Power Drift = 0.14 dB

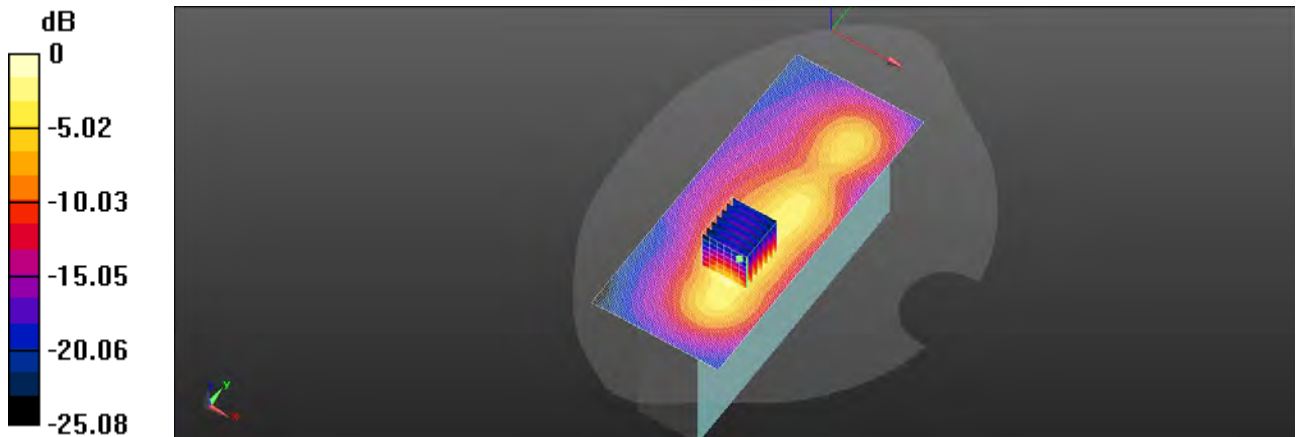
Peak SAR (extrapolated) = 1.07 W/kg

SAR(1 g) = 0.580 W/kg; SAR(10 g) = 0.300 W/kg

Smallest distance from peaks to all points 3 dB below = 10.3 mm

Ratio of SAR at M2 to SAR at M1 = 56.5%

Maximum value of SAR (measured) = 0.816 W/kg



0 dB = 0.790 W/kg = -1.03 dBW/kg

Unless otherwise stated the results shown in this test report refer only to the sample(s) tested and such sample(s) are retained for 90 days only.

除非另有說明，此報告結果僅對測試之樣品負責，同時此樣品僅保留90天。本報告未經本公司書面許可，不可部份複製。

This document is issued by the Company subject to its General Conditions of Service printed overleaf, available on request or accessible at <http://www.sgs.com.tw/Terms-and-Conditions> and for electronic format documents, subject to Terms and Conditions for Electronic Documents at <http://www.sgs.com.tw/Terms-and-Conditions>. Attention is drawn to the limitation of liability, indemnification and jurisdiction issues defined therein. Any holder of this document is advised that information contained hereon reflects the Company's findings at the time of its intervention only and within the limits of Client's instructions, if any. The Company's sole responsibility is to its Client and this document does not exonerate parties to a transaction from exercising all their rights and obligations under the transaction documents. This document cannot be reproduced except in full, without prior written approval of the Company. Any unauthorized alteration, forgery or falsification of the content or appearance of this document is unlawful and offenders may be prosecuted to the fullest extent of the law.

ID: 059

Report No. :TESA2303000153EN

WLAN 802.11b_Body_Right Edge_CH 1_5mm_Ant0

Communication System: WLAN 2.45G; Frequency: 2412 MHz; Duty cycle= 1:1.005

Medium parameters used: $f = 2412$ MHz; $\sigma = 1.754$ S/m; $\epsilon_r = 38.556$; $\rho = 1000$ kg/m³

Phantom section: Flat Section

Ambient temperature: 22.4°C; Liquid temperature: 22.1°C

DASY5 Configuration:

- Probe: EX3DV4 - SN7642; ConvF(7.89, 7.8, 7.84) @ 2412 MHz; Calibrated: 2023/2/20
- Sensor-Surface: 2mm (Mechanical Surface Detection)
- Electronics: DAE4 Sn1260; Calibrated: 2022/9/22
- Phantom: SAM
- DASY52 52.10.4(1527); SEMCAD X 14.6.14(7483)

Area Scan (71x171x1): Interpolated grid: dx=12 mm, dy=12 mm

Maximum value of SAR (interpolated) = 0.574 W/kg

Zoom Scan (7x7x7)/Cube 0: Measurement grid: dx=5mm, dy=5mm, dz=5mm

Reference Value = 2.391 V/m; Power Drift = 0.14 dB

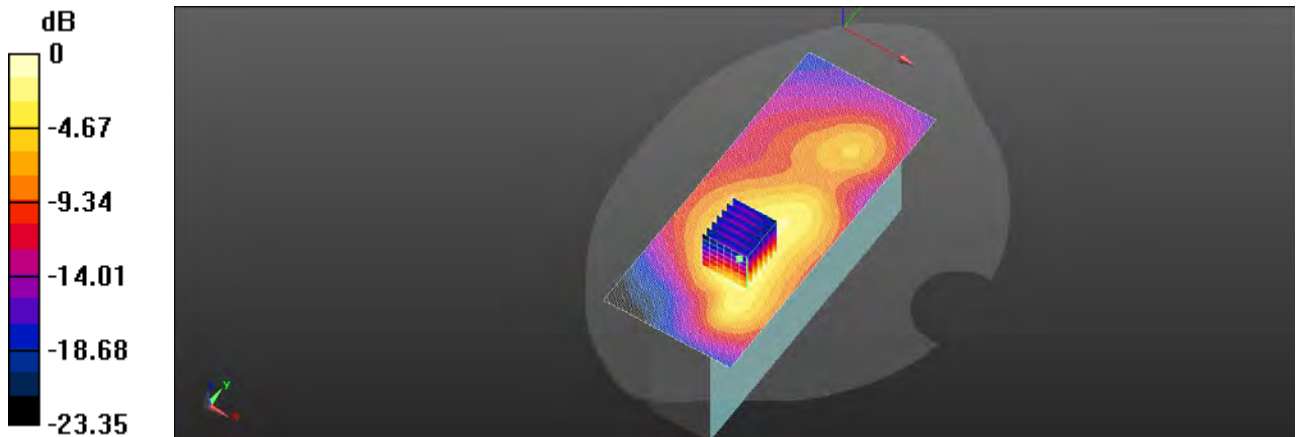
Peak SAR (extrapolated) = 0.711 W/kg

SAR(1 g) = 0.443 W/kg; SAR(10 g) = 0.260 W/kg

Smallest distance from peaks to all points 3 dB below = 13.6 mm

Ratio of SAR at M2 to SAR at M1 = 62.9%

Maximum value of SAR (measured) = 0.592 W/kg



0 dB = 0.574 W/kg = -2.41 dBW/kg

Unless otherwise stated the results shown in this test report refer only to the sample(s) tested and such sample(s) are retained for 90 days only.

除非另有說明，此報告結果僅對測試之樣品負責，同時此樣品僅保留90天。本報告未經本公司書面許可，不可部份複製。

This document is issued by the Company subject to its General Conditions of Service printed overleaf, available on request or accessible at <http://www.sgs.com.tw/Terms-and-Conditions> and for electronic format documents, subject to Terms and Conditions for Electronic Documents at <http://www.sgs.com.tw/Terms-and-Conditions>. Attention is drawn to the limitation of liability, indemnification and jurisdiction issues defined therein. Any holder of this document is advised that information contained hereon reflects the Company's findings at the time of its intervention only and within the limits of Client's instructions, if any. The Company's sole responsibility is to its Client and this document does not exonerate parties to a transaction from exercising all their rights and obligations under the transaction documents. This document cannot be reproduced except in full, without prior written approval of the Company. Any unauthorized alteration, forgery or falsification of the content or appearance of this document is unlawful and offenders may be prosecuted to the fullest extent of the law.

ID: 060

Report No. :TESA2303000156EN

Bluetooth(GFSK)_Body_Right Edge_CH 0_5mm_Ant1

Communication System: Bluetooth; Frequency: 2402 MHz; Duty cycle= 1:1.302

Medium parameters used: $f = 2402$ MHz; $\sigma = 1.745$ S/m; $\epsilon_r = 38.59$; $\rho = 1000$ kg/m³

Phantom section: Flat Section

Ambient temperature: 22.4°C; Liquid temperature: 22.1°C

DASY5 Configuration:

- Probe: EX3DV4 - SN7642; ConvF(7.89, 7.8, 7.84) @ 2402 MHz; Calibrated: 2023/2/20
- Sensor-Surface: 2mm (Mechanical Surface Detection)
- Electronics: DAE4 Sn1260; Calibrated: 2022/9/22
- Phantom: SAM
- DASY52 52.10.4(1527); SEMCAD X 14.6.14(7483)

Area Scan (71x171x1): Interpolated grid: dx=12 mm, dy=12 mm

Maximum value of SAR (interpolated) = 0.0671 W/kg

Zoom Scan (7x7x7)/Cube 0: Measurement grid: dx=5mm, dy=5mm, dz=5mm

Reference Value = 2.261 V/m; Power Drift = 0.12 dB

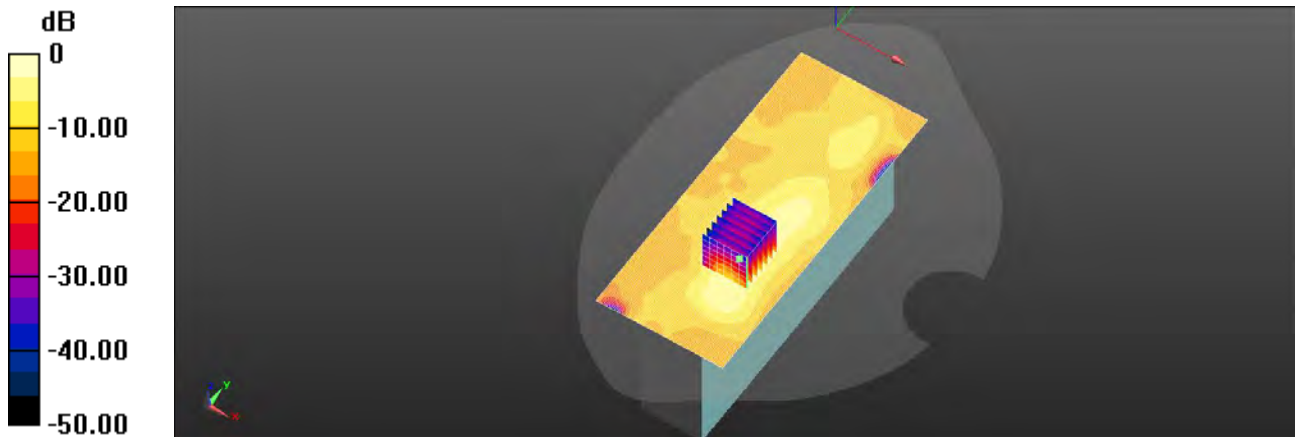
Peak SAR (extrapolated) = 0.0920 W/kg

SAR(1 g) = 0.048 W/kg; SAR(10 g) = 0.024 W/kg

Smallest distance from peaks to all points 3 dB below: Larger than measurement grid

Ratio of SAR at M2 to SAR at M1 = 54.4%

Maximum value of SAR (measured) = 0.0712 W/kg



0 dB = 0.0671 W/kg = -11.73 dBW/kg

Unless otherwise stated the results shown in this test report refer only to the sample(s) tested and such sample(s) are retained for 90 days only.

除非另有說明，此報告結果僅對測試之樣品負責，同時此樣品僅保留90天。本報告未經本公司書面許可，不可部份複製。

This document is issued by the Company subject to its General Conditions of Service printed overleaf, available on request or accessible at <http://www.sgs.com.tw/Terms-and-Conditions> and for electronic format documents, subject to Terms and Conditions for Electronic Documents at <http://www.sgs.com.tw/Terms-and-Conditions>. Attention is drawn to the limitation of liability, indemnification and jurisdiction issues defined therein. Any holder of this document is advised that information contained hereon reflects the Company's findings at the time of its intervention only and within the limits of Client's instructions, if any. The Company's sole responsibility is to its Client and this document does not exonerate parties to a transaction from exercising all their rights and obligations under the transaction documents. This document cannot be reproduced except in full, without prior written approval of the Company. Any unauthorized alteration, forgery or falsification of the content or appearance of this document is unlawful and offenders may be prosecuted to the fullest extent of the law.

ID: 061

Report No. :TESA2303000156EN

WLAN 802.11n(40M) 5.2G_Body_Right Edge_CH 46_5mm_Ant1

Communication System: WLAN 5G; Frequency: 5230 MHz; Duty cycle= 1:1.068

Medium parameters used: $f = 5230$ MHz; $\sigma = 4.628$ S/m; $\epsilon_r = 36.174$; $\rho = 1000$ kg/m³

Phantom section: Flat Section

Ambient temperature: 22.1°C; Liquid temperature: 21.9°C

DASY5 Configuration:

- Probe: EX3DV4 - SN7642; ConvF(5.84, 5.72, 5.77) @ 5230 MHz; Calibrated: 2023/2/20
- Sensor-Surface: 2mm (Mechanical Surface Detection)
- Electronics: DAE4 Sn1260; Calibrated: 2022/9/22
- Phantom: SAM
- DASY52 52.10.4(1527); SEMCAD X 14.6.14(7483)

Area Scan (81x201x1): Interpolated grid: dx=10 mm, dy=10 mm

Maximum value of SAR (interpolated) = 0.279 W/kg

Zoom Scan (7x7x12)/Cube 0: Measurement grid: dx=4mm, dy=4mm, dz=2mm

Reference Value = 3.521 V/m; Power Drift = 0.18 dB

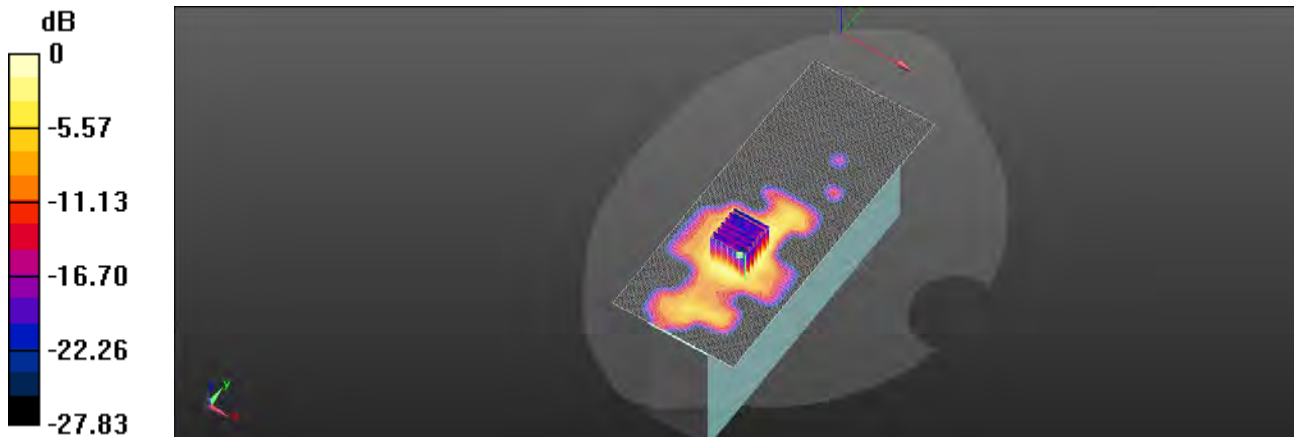
Peak SAR (extrapolated) = 0.523 W/kg

SAR(1 g) = 0.159 W/kg; SAR(10 g) = 0.057 W/kg

Smallest distance from peaks to all points 3 dB below = 8.2 mm

Ratio of SAR at M2 to SAR at M1 = 61.1%

Maximum value of SAR (measured) = 0.289 W/kg



0 dB = 0.289 W/kg = -5.39 dBW/kg

Unless otherwise stated the results shown in this test report refer only to the sample(s) tested and such sample(s) are retained for 90 days only.

除非另有說明，此報告結果僅對測試之樣品負責，同時此樣品僅保留90天。本報告未經本公司書面許可，不可部份複製。

This document is issued by the Company subject to its General Conditions of Service printed overleaf, available on request or accessible at <http://www.sgs.com.tw/Terms-and-Conditions> and for electronic format documents, subject to Terms and Conditions for Electronic Documents at <http://www.sgs.com.tw/Terms-and-Conditions>. Attention is drawn to the limitation of liability, indemnification and jurisdiction issues defined therein. Any holder of this document is advised that information contained hereon reflects the Company's findings at the time of its intervention only and within the limits of Client's instructions, if any. The Company's sole responsibility is to its Client and this document does not exonerate parties to a transaction from exercising all their rights and obligations under the transaction documents. This document cannot be reproduced except in full, without prior written approval of the Company. Any unauthorized alteration, forgery or falsification of the content or appearance of this document is unlawful and offenders may be prosecuted to the fullest extent of the law.

Date: 2023/4/19

ID: 062

Report No. :TESA2303000156EN

WLAN 802.11ac(80M) 5.8G_Body_Right Edge_CH 155_5mm_Ant1

Communication System: WLAN 5G; Frequency: 5775 MHz; Duty cycle= 1:1.136

Medium parameters used: $f = 5775 \text{ MHz}$; $\sigma = 5.353 \text{ S/m}$; $\epsilon_r = 35.113$; $\rho = 1000 \text{ kg/m}^3$

Phantom section: Flat Section

Ambient temperature: 22.3°C; Liquid temperature: 22.1°C

DASY5 Configuration:

- Probe: EX3DV4 - SN7642; ConvF(5.44, 5.18, 4.93) @ 5775 MHz; Calibrated: 2023/2/20
- Sensor-Surface: 2mm (Mechanical Surface Detection)
- Electronics: DAE4 Sn1260; Calibrated: 2022/9/22
- Phantom: SAM
- DASY52 52.10.4(1527); SEMCAD X 14.6.14(7483)

Area Scan (81x201x1): Interpolated grid: dx=10 mm, dy=10 mm

Maximum value of SAR (interpolated) = 1.01 W/kg

Zoom Scan (7x7x12)/Cube 0: Measurement grid: dx=4mm, dy=4mm, dz=2mm

Reference Value = 3.983 V/m; Power Drift = -0.11 dB

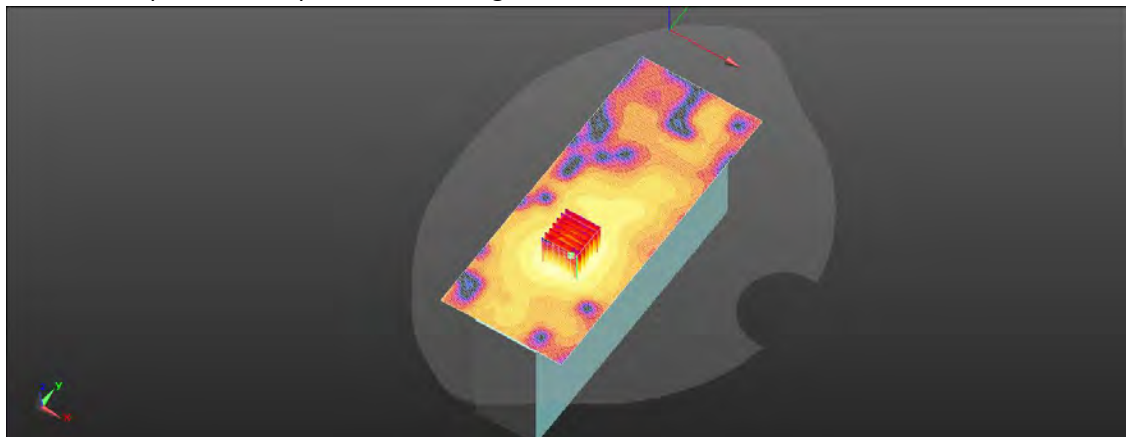
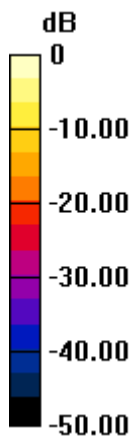
Peak SAR (extrapolated) = 1.80 W/kg

SAR(1 g) = 0.522 W/kg; SAR(10 g) = 0.182 W/kg

Smallest distance from peaks to all points 3 dB below = 9.1 mm

Ratio of SAR at M2 to SAR at M1 = 59.1%

Maximum value of SAR (measured) = 0.964 W/kg



0 dB = 0.964 W/kg = -0.16 dBW/kg

Unless otherwise stated the results shown in this test report refer only to the sample(s) tested and such sample(s) are retained for 90 days only.

除非另有說明，此報告結果僅對測試之樣品負責，同時此樣品僅保留90天。本報告未經本公司書面許可，不可部份複製。

This document is issued by the Company subject to its General Conditions of Service printed overleaf, available on request or accessible at <http://www.sgs.com.tw/Terms-and-Conditions> and for electronic format documents, subject to Terms and Conditions for Electronic Documents at <http://www.sgs.com.tw/Terms-and-Conditions>. Attention is drawn to the limitation of liability, indemnification and jurisdiction issues defined therein. Any holder of this document is advised that information contained hereon reflects the Company's findings at the time of its intervention only and within the limits of Client's instructions, if any. The Company's sole responsibility is to its Client and this document does not exonerate parties to a transaction from exercising all their rights and obligations under the transaction documents. This document cannot be reproduced except in full, without prior written approval of the Company. Any unauthorized alteration, forgery or falsification of the content or appearance of this document is unlawful and offenders may be prosecuted to the fullest extent of the law.

SGS Taiwan Ltd.

No.134,Wu Kung Road, New Taipei Industrial Park, Wuku District, New Taipei City, Taiwan/新北市五股區新北產業園區五工路 134 號

台灣檢驗科技股份有限公司

t (886-2) 2299-3279

f (886-2) 2298-0488

www.sgs.com.tw

Member of SGS Group

12 SAR SYSTEM CHECK RESULTS

Date: 2023/4/21

Report No. :TESA2303000153EN

Dipole 750 MHz_SN:1015

Communication System: CW; Frequency: 750 MHz; Duty cycle= 1:1

Medium parameters used: $f = 750 \text{ MHz}$; $\sigma = 0.904 \text{ S/m}$; $\epsilon_r = 42.261$; $\rho = 1000 \text{ kg/m}^3$

Phantom section: Flat Section

Ambient temperature: 22.6°C; Liquid temperature: 22.3°C

DASY5 Configuration:

- Probe: EX3DV4 - SN7642; ConvF(9.94, 9.88, 10.08) @ 750 MHz; Calibrated: 2023/2/20
- Sensor-Surface: 2mm (Mechanical Surface Detection)
- Electronics: DAE4 Sn1260; Calibrated: 2022/9/22
- Phantom: SAM
- DASY52 52.10.4(1527); SEMCAD X 14.6.14(7483)

Area Scan (41x141x1): Interpolated grid: dx=15 mm, dy=15 mm

Maximum value of SAR (interpolated) = 2.64 W/kg

Zoom Scan (7x7x7)/Cube 0: Measurement grid: dx=5mm, dy=5mm, dz=5mm

Reference Value = 58.56 V/m; Power Drift = 0.01 dB

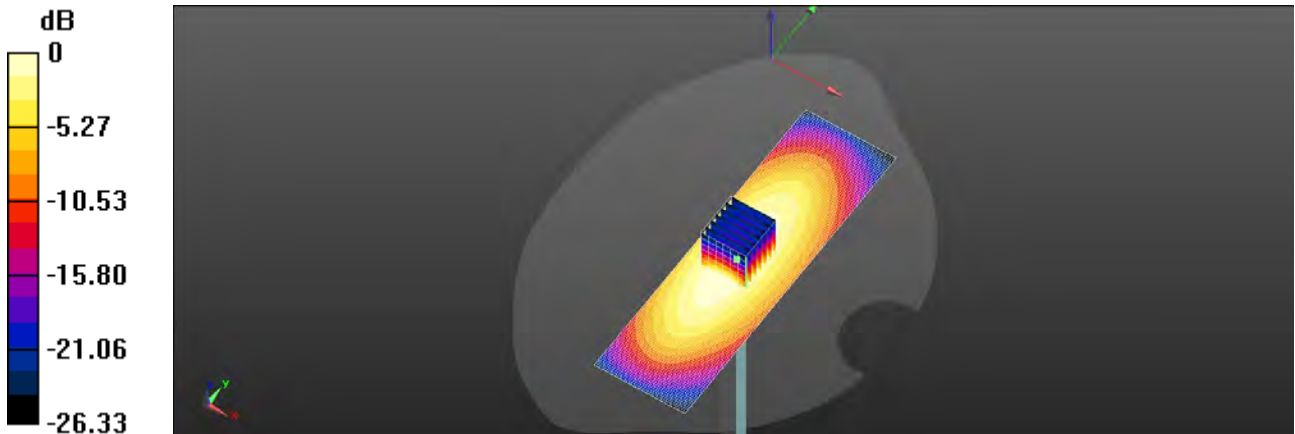
Peak SAR (extrapolated) = 3.12 W/kg

SAR(1 g) = 2.18 W/kg; SAR(10 g) = 1.49 W/kg

Smallest distance from peaks to all points 3 dB below = 17.5 mm

Ratio of SAR at M2 to SAR at M1 = 68.6%

Maximum value of SAR (measured) = 2.68 W/kg



0 dB = 2.64 W/kg = 4.22 dBW/kg

Unless otherwise stated the results shown in this test report refer only to the sample(s) tested and such sample(s) are retained for 90 days only.

除非另有說明，此報告結果僅對測試之樣品負責，同時此樣品僅保留90天。本報告未經本公司書面許可，不可部份複製。

This document is issued by the Company subject to its General Conditions of Service printed overleaf, available on request or accessible at <http://www.sgs.com.tw/Terms-and-Conditions> and for electronic format documents, subject to Terms and Conditions for Electronic Documents at <http://www.sgs.com.tw/Terms-and-Conditions>. Attention is drawn to the limitation of liability, indemnification and jurisdiction issues defined therein. Any holder of this document is advised that information contained hereon reflects the Company's findings at the time of its intervention only and within the limits of Client's instructions, if any. The Company's sole responsibility is to its Client and this document does not exonerate parties to a transaction from exercising all their rights and obligations under the transaction documents. This document cannot be reproduced except in full, without prior written approval of the Company. Any unauthorized alteration, forgery or falsification of the content or appearance of this document is unlawful and offenders may be prosecuted to the fullest extent of the law.

Report No. :TESA2303000153EN

Dipole 750 MHz_SN:1015

Communication System: CW; Frequency: 750 MHz; Duty cycle= 1:1

Medium parameters used: $f = 750 \text{ MHz}$; $\sigma = 0.903 \text{ S/m}$; $\epsilon_r = 42.384$; $\rho = 1000 \text{ kg/m}^3$

Phantom section: Flat Section

Ambient temperature: 22.3°C; Liquid temperature: 22.0°C

DASY5 Configuration:

- Probe: EX3DV4 - SN7642; ConvF(9.94, 9.88, 10.08) @ 750 MHz; Calibrated: 2023/2/20
- Sensor-Surface: 2mm (Mechanical Surface Detection)
- Electronics: DAE4 Sn1260; Calibrated: 2022/9/22
- Phantom: SAM
- DASY52 52.10.4(1527); SEMCAD X 14.6.14(7483)

Area Scan (41x141x1): Interpolated grid: dx=15 mm, dy=15 mm

Maximum value of SAR (interpolated) = 2.62 W/kg

Zoom Scan (7x7x7)/Cube 0: Measurement grid: dx=5mm, dy=5mm, dz=5mm

Reference Value = 59.18 V/m; Power Drift = 0.15 dB

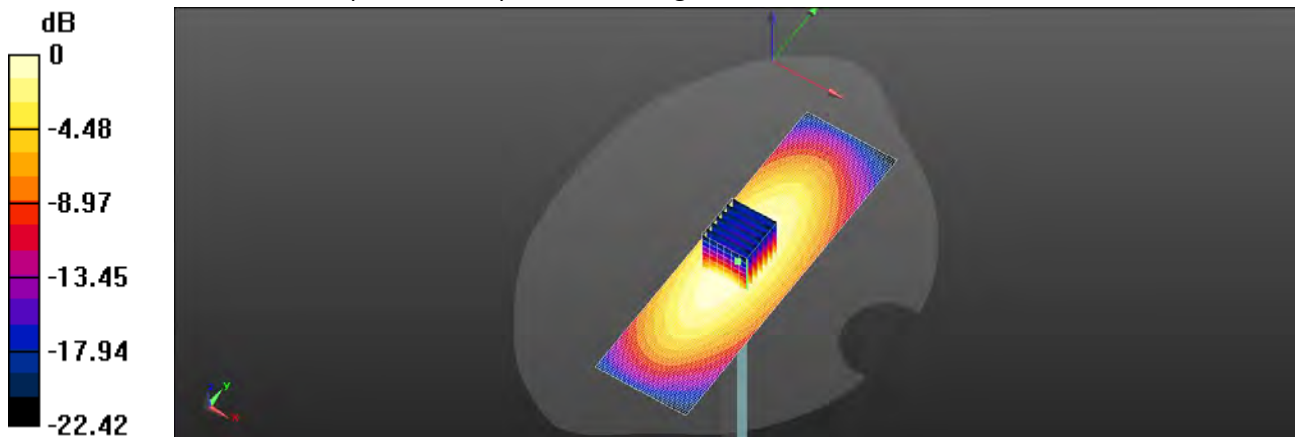
Peak SAR (extrapolated) = 3.09 W/kg

SAR(1 g) = 2.16 W/kg; SAR(10 g) = 1.48 W/kg

Smallest distance from peaks to all points 3 dB below: = 17.9 mm

Ratio of SAR at M2 to SAR at M1 = 67.2%

Maximum value of SAR (measured) = 2.65 W/kg



0 dB = 2.62 W/kg = 4.18 dBW/kg

Unless otherwise stated the results shown in this test report refer only to the sample(s) tested and such sample(s) are retained for 90 days only.

除非另有說明，此報告結果僅對測試之樣品負責，同時此樣品僅保留90天。本報告未經本公司書面許可，不可部份複製。

This document is issued by the Company subject to its General Conditions of Service printed overleaf, available on request or accessible at <http://www.sgs.com.tw/Terms-and-Conditions> and for electronic format documents, subject to Terms and Conditions for Electronic Documents at <http://www.sgs.com.tw/Terms-and-Conditions>. Attention is drawn to the limitation of liability, indemnification and jurisdiction issues defined therein. Any holder of this document is advised that information contained hereon reflects the Company's findings at the time of its intervention only and within the limits of Client's instructions, if any. The Company's sole responsibility is to its Client and this document does not exonerate parties to a transaction from exercising all their rights and obligations under the transaction documents. This document cannot be reproduced except in full, without prior written approval of the Company. Any unauthorized alteration, forgery or falsification of the content or appearance of this document is unlawful and offenders may be prosecuted to the fullest extent of the law.

Report No. :TESA2303000153EN

Dipole 750 MHz_SN:1015

Communication System: CW; Frequency: 750 MHz; Duty cycle= 1:1

Medium parameters used: $f = 750 \text{ MHz}$; $\sigma = 0.906 \text{ S/m}$; $\epsilon_r = 42.293$; $\rho = 1000 \text{ kg/m}^3$

Phantom section: Flat Section

Ambient temperature: 22.4°C; Liquid temperature: 22.1°C

DASY5 Configuration:

- Probe: EX3DV4 - SN7642; ConvF(9.94, 9.88, 10.08) @ 750 MHz; Calibrated: 2023/2/20
- Sensor-Surface: 2mm (Mechanical Surface Detection)
- Electronics: DAE4 Sn1260; Calibrated: 2022/9/22
- Phantom: SAM
- DASY52 52.10.4(1527); SEMCAD X 14.6.14(7483)

Area Scan (41x141x1): Interpolated grid: dx=15 mm, dy=15 mm

Maximum value of SAR (interpolated) = 2.64 W/kg

Zoom Scan (7x7x7)/Cube 0: Measurement grid: dx=5mm, dy=5mm, dz=5mm

Reference Value = 67.31 V/m; Power Drift = 0.03 dB

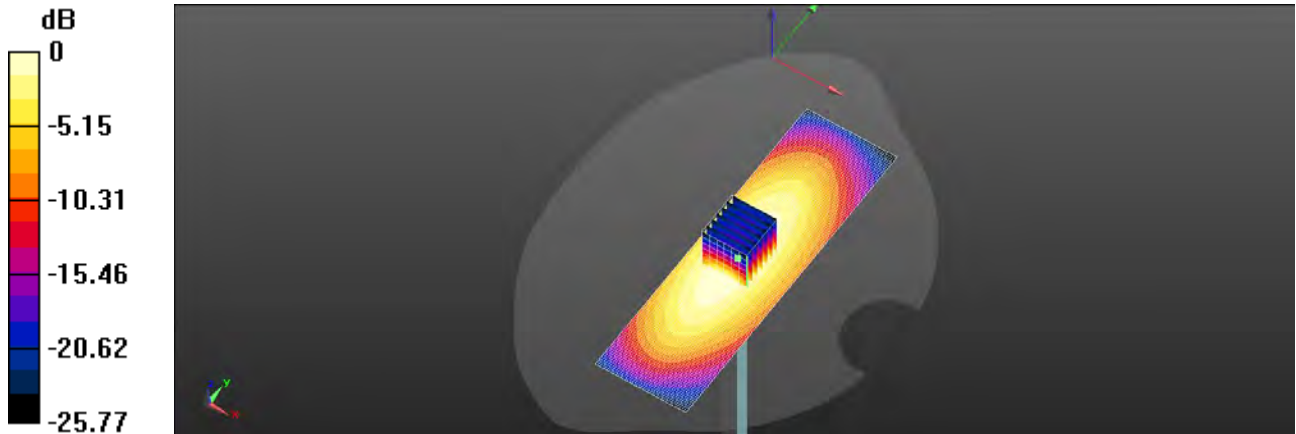
Peak SAR (extrapolated) = 3.11 W/kg

SAR(1 g) = 2.19 W/kg; SAR(10 g) = 1.5 W/kg

Smallest distance from peaks to all points 3 dB below = 17.3 mm

Ratio of SAR at M2 to SAR at M1 = 65.2%

Maximum value of SAR (measured) = 2.67 W/kg



0 dB = 2.64 W/kg = 4.21 dBW/kg

Unless otherwise stated the results shown in this test report refer only to the sample(s) tested and such sample(s) are retained for 90 days only.

除非另有說明，此報告結果僅對測試之樣品負責，同時此樣品僅保留90天。本報告未經本公司書面許可，不可部份複製。

This document is issued by the Company subject to its General Conditions of Service printed overleaf, available on request or accessible at <http://www.sgs.com.tw/Terms-and-Conditions> and for electronic format documents, subject to Terms and Conditions for Electronic Documents at <http://www.sgs.com.tw/Terms-and-Conditions>. Attention is drawn to the limitation of liability, indemnification and jurisdiction issues defined therein. Any holder of this document is advised that information contained hereon reflects the Company's findings at the time of its intervention only and within the limits of Client's instructions, if any. The Company's sole responsibility is to its Client and this document does not exonerate parties to a transaction from exercising all their rights and obligations under the transaction documents. This document cannot be reproduced except in full, without prior written approval of the Company. Any unauthorized alteration, forgery or falsification of the content or appearance of this document is unlawful and offenders may be prosecuted to the fullest extent of the law.

Report No. :TESA2303000153EN

Dipole 750 MHz_SN:1015

Communication System: CW; Frequency: 750 MHz; Duty cycle= 1:1

Medium parameters used: $f = 750 \text{ MHz}$; $\sigma = 0.899 \text{ S/m}$; $\epsilon_r = 42.532$; $\rho = 1000 \text{ kg/m}^3$

Phantom section: Flat Section

Ambient temperature: 21.9°C; Liquid temperature: 21.6°C

DASY5 Configuration:

- Probe: EX3DV4 - SN7642; ConvF(9.94, 9.88, 10.08) @ 750 MHz; Calibrated: 2023/2/20
- Sensor-Surface: 2mm (Mechanical Surface Detection)
- Electronics: DAE4 Sn1260; Calibrated: 2022/9/22
- Phantom: SAM
- DASY52 52.10.4(1527); SEMCAD X 14.6.14(7483)

Area Scan (41x141x1): Interpolated grid: dx=15 mm, dy=15 mm

Maximum value of SAR (interpolated) = 2.48 W/kg

Zoom Scan (7x7x7)/Cube 0: Measurement grid: dx=5mm, dy=5mm, dz=5mm

Reference Value = 60.18 V/m; Power Drift = 0.16 dB

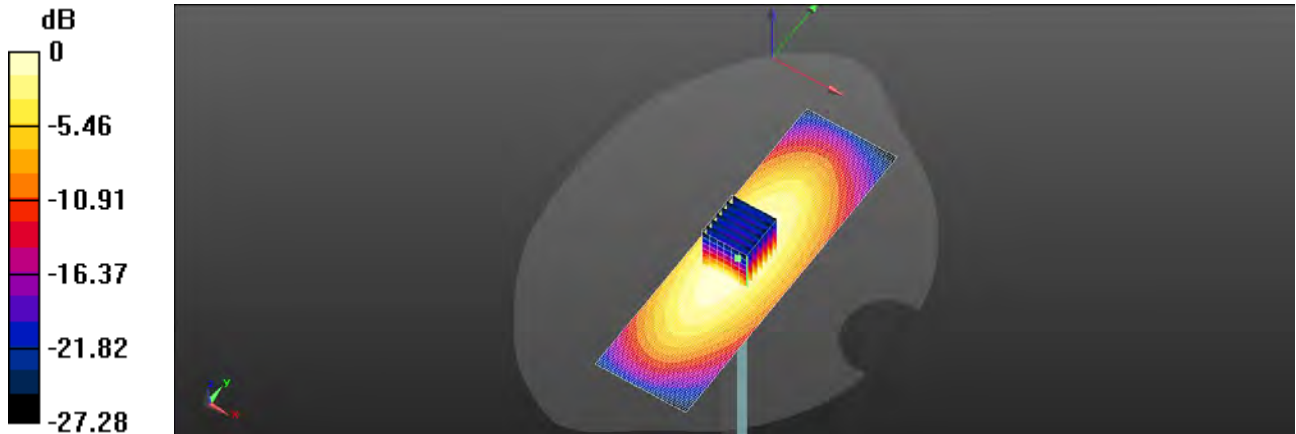
Peak SAR (extrapolated) = 2.92 W/kg

SAR(1 g) = 2.07 W/kg; SAR(10 g) = 1.43 W/kg

Smallest distance from peaks to all points 3 dB below = 18.0 mm

Ratio of SAR at M2 to SAR at M1 = 68.6%

Maximum value of SAR (measured) = 2.51 W/kg



0 dB = 2.48 W/kg = 3.94 dBW/kg

Unless otherwise stated the results shown in this test report refer only to the sample(s) tested and such sample(s) are retained for 90 days only.

除非另有說明，此報告結果僅對測試之樣品負責，同時此樣品僅保留90天。本報告未經本公司書面許可，不可部份複製。

This document is issued by the Company subject to its General Conditions of Service printed overleaf, available on request or accessible at <http://www.sgs.com.tw/Terms-and-Conditions> and for electronic format documents, subject to Terms and Conditions for Electronic Documents at <http://www.sgs.com.tw/Terms-and-Conditions>. Attention is drawn to the limitation of liability, indemnification and jurisdiction issues defined therein. Any holder of this document is advised that information contained hereon reflects the Company's findings at the time of its intervention only and within the limits of Client's instructions, if any. The Company's sole responsibility is to its Client and this document does not exonerate parties to a transaction from exercising all their rights and obligations under the transaction documents. This document cannot be reproduced except in full, without prior written approval of the Company. Any unauthorized alteration, forgery or falsification of the content or appearance of this document is unlawful and offenders may be prosecuted to the fullest extent of the law.

Report No. :TESA2303000153EN

Dipole 750 MHz_SN:1015

Communication System: CW; Frequency: 750 MHz; Duty cycle= 1:1

Medium parameters used: $f = 750 \text{ MHz}$; $\sigma = 0.893 \text{ S/m}$; $\epsilon_r = 42.241$; $\rho = 1000 \text{ kg/m}^3$

Phantom section: Flat Section

Ambient temperature: 22.2°C; Liquid temperature: 21.8°C

DASY5 Configuration:

- Probe: EX3DV4 - SN7642; ConvF(9.94, 9.88, 10.08) @ 750 MHz; Calibrated: 2023/2/20
- Sensor-Surface: 2mm (Mechanical Surface Detection)
- Electronics: DAE4 Sn1260; Calibrated: 2022/9/22
- Phantom: SAM
- DASY52 52.10.4(1527); SEMCAD X 14.6.14(7483)

Area Scan (41x141x1): Interpolated grid: dx=15 mm, dy=15 mm

Maximum value of SAR (interpolated) = 2.45 W/kg

Zoom Scan (7x7x7)/Cube 0: Measurement grid: dx=5mm, dy=5mm, dz=5mm

Reference Value = 59.77 V/m; Power Drift = 0.01 dB

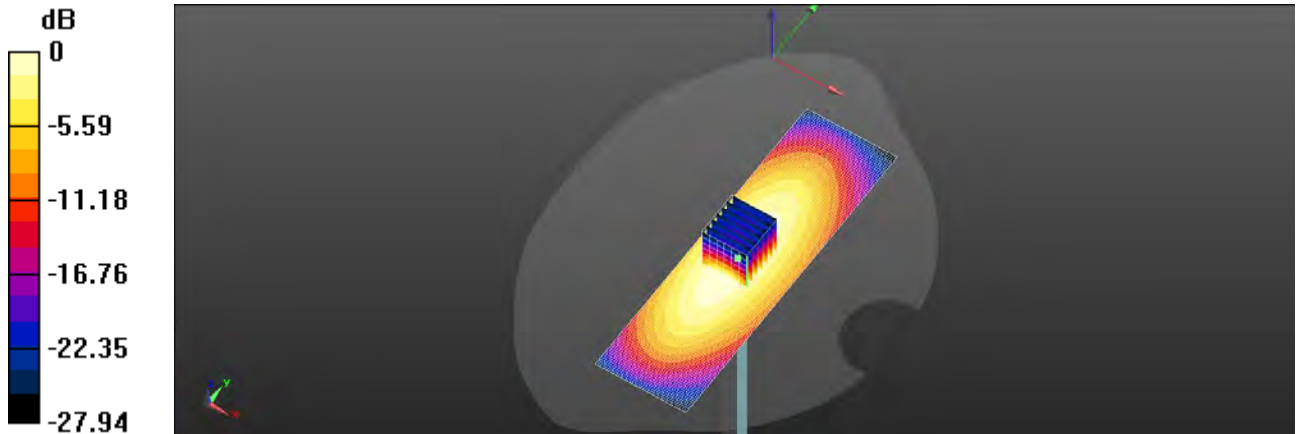
Peak SAR (extrapolated) = 2.89 W/kg

SAR(1 g) = 2.05 W/kg; SAR(10 g) = 1.41 W/kg

Smallest distance from peaks to all points 3 dB below = 16.2 mm

Ratio of SAR at M2 to SAR at M1 = 63.2%

Maximum value of SAR (measured) = 2.48 W/kg



0 dB = 2.45 W/kg = 3.89 dBW/kg

Unless otherwise stated the results shown in this test report refer only to the sample(s) tested and such sample(s) are retained for 90 days only.

除非另有說明，此報告結果僅對測試之樣品負責，同時此樣品僅保留90天。本報告未經本公司書面許可，不可部份複製。

This document is issued by the Company subject to its General Conditions of Service printed overleaf, available on request or accessible at <http://www.sgs.com.tw/Terms-and-Conditions> and for electronic format documents, subject to Terms and Conditions for Electronic Documents at <http://www.sgs.com.tw/Terms-and-Conditions>. Attention is drawn to the limitation of liability, indemnification and jurisdiction issues defined therein. Any holder of this document is advised that information contained hereon reflects the Company's findings at the time of its intervention only and within the limits of Client's instructions, if any. The Company's sole responsibility is to its Client and this document does not exonerate parties to a transaction from exercising all their rights and obligations under the transaction documents. This document cannot be reproduced except in full, without prior written approval of the Company. Any unauthorized alteration, forgery or falsification of the content or appearance of this document is unlawful and offenders may be prosecuted to the fullest extent of the law.

Report No. :TESA2303000153EN

Dipole 835 MHz_SN:4d063

Communication System: CW; Frequency: 835 MHz; Duty cycle= 1:1

Medium parameters used: $f = 835 \text{ MHz}$; $\sigma = 0.893 \text{ S/m}$; $\epsilon_r = 40.905$; $\rho = 1000 \text{ kg/m}^3$

Phantom section: Flat Section

Ambient temperature: 22.0°C; Liquid temperature: 21.7°C

DASY5 Configuration:

- Probe: EX3DV4 - SN7642; ConvF(9.95, 9.92, 9.79) @ 835 MHz; Calibrated: 2023/2/20
- Sensor-Surface: 2mm (Mechanical Surface Detection)
- Electronics: DAE4 Sn1260; Calibrated: 2022/9/22
- Phantom: SAM
- DASY52 52.10.4(1527); SEMCAD X 14.6.14(7483)

Area Scan (41x121x1): Interpolated grid: dx=15 mm, dy=15 mm

Maximum value of SAR (interpolated) = 3.16 W/kg

Zoom Scan (7x7x7)/Cube 0: Measurement grid: dx=5mm, dy=5mm, dz=5mm

Reference Value = 59.33 V/m; Power Drift = -0.01 dB

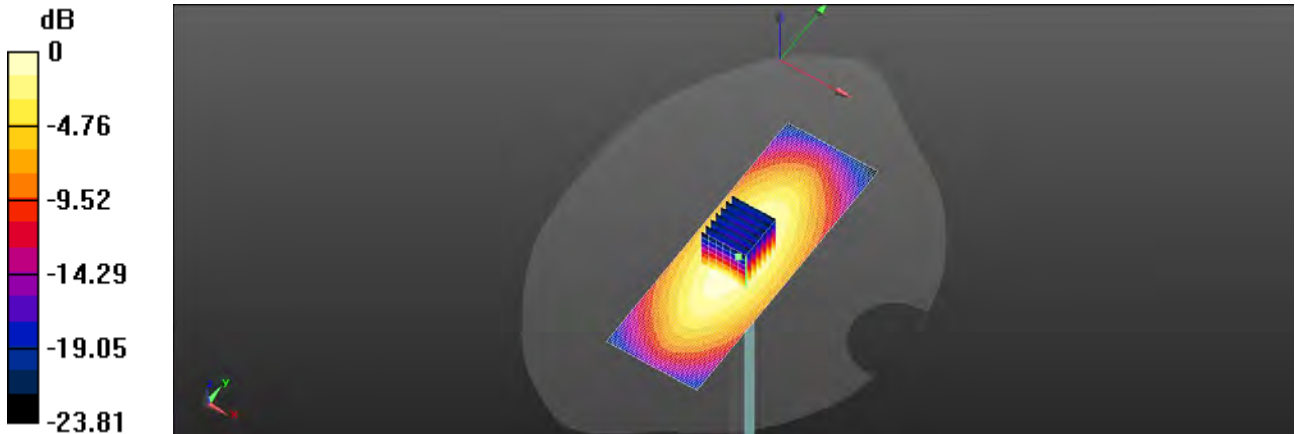
Peak SAR (extrapolated) = 3.79 W/kg

SAR(1 g) = 2.43 W/kg; SAR(10 g) = 1.53 W/kg

Smallest distance from peaks to all points 3 dB below = 19.2 mm

Ratio of SAR at M2 to SAR at M1 = 64.1%

Maximum value of SAR (measured) = 3.17 W/kg



0 dB = 3.16 W/kg = 5.00 dBW/kg

Unless otherwise stated the results shown in this test report refer only to the sample(s) tested and such sample(s) are retained for 90 days only.

除非另有說明，此報告結果僅對測試之樣品負責，同時此樣品僅保留90天。本報告未經本公司書面許可，不可部份複製。

This document is issued by the Company subject to its General Conditions of Service printed overleaf, available on request or accessible at <http://www.sgs.com.tw/Terms-and-Conditions> and for electronic format documents, subject to Terms and Conditions for Electronic Documents at <http://www.sgs.com.tw/Terms-and-Conditions>. Attention is drawn to the limitation of liability, indemnification and jurisdiction issues defined therein. Any holder of this document is advised that information contained hereon reflects the Company's findings at the time of its intervention only and within the limits of Client's instructions, if any. The Company's sole responsibility is to its Client and this document does not exonerate parties to a transaction from exercising all their rights and obligations under the transaction documents. This document cannot be reproduced except in full, without prior written approval of the Company. Any unauthorized alteration, forgery or falsification of the content or appearance of this document is unlawful and offenders may be prosecuted to the fullest extent of the law.

Report No. :TESA2303000153EN

Dipole 835 MHz_SN:4d063

Communication System: CW; Frequency: 835 MHz; Duty cycle= 1:1

Medium parameters used: $f = 835 \text{ MHz}$; $\sigma = 0.878 \text{ S/m}$; $\epsilon_r = 40.487$; $\rho = 1000 \text{ kg/m}^3$

Phantom section: Flat Section

Ambient temperature: 21.8°C; Liquid temperature: 21.5°C

DASY5 Configuration:

- Probe: EX3DV4 - SN7642; ConvF(9.95, 9.92, 9.79) @ 835 MHz; Calibrated: 2023/2/20
- Sensor-Surface: 2mm (Mechanical Surface Detection)
- Electronics: DAE4 Sn1260; Calibrated: 2022/9/22
- Phantom: SAM
- DASY52 52.10.4(1527); SEMCAD X 14.6.14(7483)

Area Scan (41x121x1): Interpolated grid: dx=15 mm, dy=15 mm

Maximum value of SAR (interpolated) = 3.36 W/kg

Zoom Scan (7x7x7)/Cube 0: Measurement grid: dx=5mm, dy=5mm, dz=5mm

Reference Value = 62.58 V/m; Power Drift = -0.07 dB

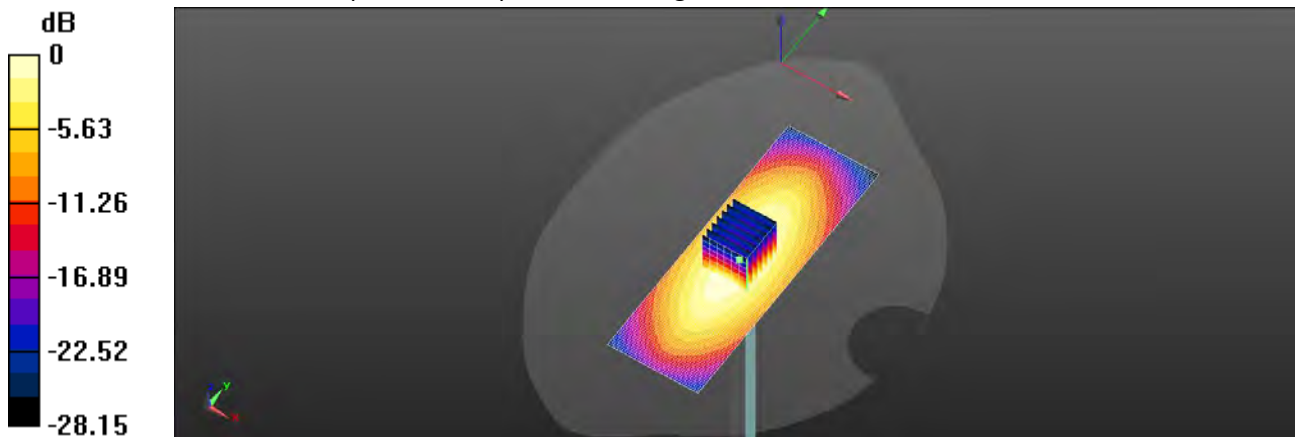
Peak SAR (extrapolated) = 4.03 W/kg

SAR(1 g) = 2.55 W/kg; SAR(10 g) = 1.59 W/kg

Smallest distance from peaks to all points 3 dB below = 18.4 mm

Ratio of SAR at M2 to SAR at M1 = 65.5%

Maximum value of SAR (measured) = 3.37 W/kg



0 dB = 3.36 W/kg = 5.26 dBW/kg

Unless otherwise stated the results shown in this test report refer only to the sample(s) tested and such sample(s) are retained for 90 days only.

除非另有說明，此報告結果僅對測試之樣品負責，同時此樣品僅保留90天。本報告未經本公司書面許可，不可部份複製。

This document is issued by the Company subject to its General Conditions of Service printed overleaf, available on request or accessible at <http://www.sgs.com.tw/Terms-and-Conditions> and for electronic format documents, subject to Terms and Conditions for Electronic Documents at <http://www.sgs.com.tw/Terms-and-Conditions>. Attention is drawn to the limitation of liability, indemnification and jurisdiction issues defined therein. Any holder of this document is advised that information contained hereon reflects the Company's findings at the time of its intervention only and within the limits of Client's instructions, if any. The Company's sole responsibility is to its Client and this document does not exonerate parties to a transaction from exercising all their rights and obligations under the transaction documents. This document cannot be reproduced except in full, without prior written approval of the Company. Any unauthorized alteration, forgery or falsification of the content or appearance of this document is unlawful and offenders may be prosecuted to the fullest extent of the law.

Report No. :TESA2303000153EN

Dipole 835 MHz_SN:4d063

Communication System: CW; Frequency: 835 MHz; Duty cycle= 1:1

Medium parameters used: $f = 835 \text{ MHz}$; $\sigma = 0.879 \text{ S/m}$; $\epsilon_r = 40.624$; $\rho = 1000 \text{ kg/m}^3$

Phantom section: Flat Section

Ambient temperature: 21.9°C; Liquid temperature: 21.6°C

DASY5 Configuration:

- Probe: EX3DV4 - SN7642; ConvF(9.95, 9.92, 9.79) @ 835 MHz; Calibrated: 2023/2/20
- Sensor-Surface: 2mm (Mechanical Surface Detection)
- Electronics: DAE4 Sn1260; Calibrated: 2022/9/22
- Phantom: SAM
- DASY52 52.10.4(1527); SEMCAD X 14.6.14(7483)

Area Scan (41x121x1): Interpolated grid: dx=15 mm, dy=15 mm

Maximum value of SAR (interpolated) = 3.12 W/kg

Zoom Scan (7x7x7)/Cube 0: Measurement grid: dx=5mm, dy=5mm, dz=5mm

Reference Value = 61.72 V/m; Power Drift = -0.09 dB

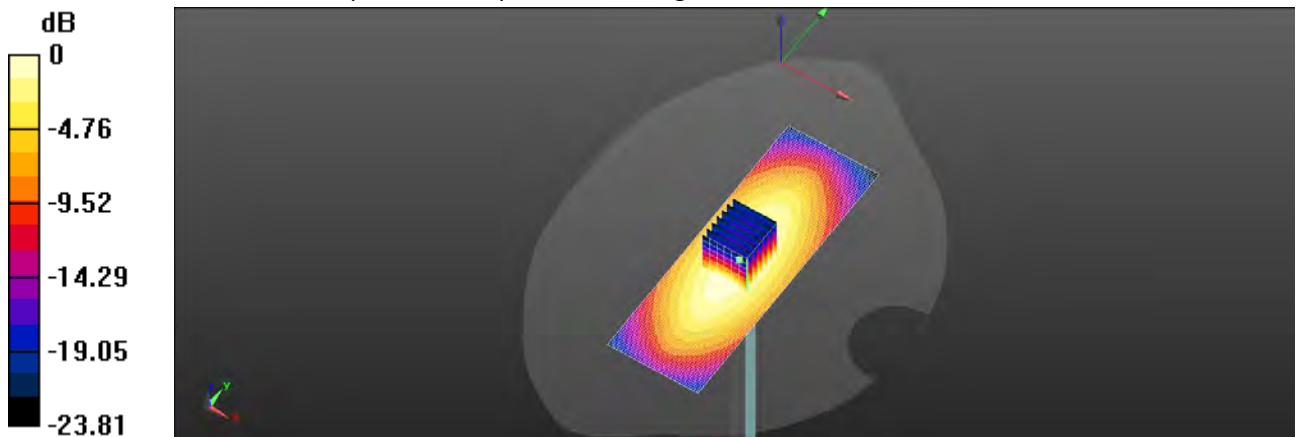
Peak SAR (extrapolated) = 3.74 W/kg

SAR(1 g) = 2.39 W/kg; SAR(10 g) = 1.51 W/kg

Smallest distance from peaks to all points 3 dB below = 16.9 mm

Ratio of SAR at M2 to SAR at M1 = 61.7%

Maximum value of SAR (measured) = 3.13 W/kg



0 dB = 3.12 W/kg = 4.94 dBW/kg

Unless otherwise stated the results shown in this test report refer only to the sample(s) tested and such sample(s) are retained for 90 days only.

除非另有說明，此報告結果僅對測試之樣品負責，同時此樣品僅保留90天。本報告未經本公司書面許可，不可部份複製。

This document is issued by the Company subject to its General Conditions of Service printed overleaf, available on request or accessible at <http://www.sgs.com.tw/Terms-and-Conditions> and for electronic format documents, subject to Terms and Conditions for Electronic Documents at <http://www.sgs.com.tw/Terms-and-Conditions>. Attention is drawn to the limitation of liability, indemnification and jurisdiction issues defined therein. Any holder of this document is advised that information contained hereon reflects the Company's findings at the time of its intervention only and within the limits of Client's instructions, if any. The Company's sole responsibility is to its Client and this document does not exonerate parties to a transaction from exercising all their rights and obligations under the transaction documents. This document cannot be reproduced except in full, without prior written approval of the Company. Any unauthorized alteration, forgery or falsification of the content or appearance of this document is unlawful and offenders may be prosecuted to the fullest extent of the law.

Report No. :TESA2303000153EN

Dipole 1750 MHz_SN:1008

Communication System: CW; Frequency: 1750 MHz; Duty cycle= 1:1

Medium parameters used: $f = 1750$ MHz; $\sigma = 1.321$ S/m; $\epsilon_r = 39.19$; $\rho = 1000$ kg/m³

Phantom section: Flat Section

Ambient temperature: 22.3°C; Liquid temperature: 22.1°C

DASY5 Configuration:

- Probe: EX3DV4 - SN7642; ConvF(8.5, 8.42, 8.36) @ 1750 MHz; Calibrated: 2023/2/20
- Sensor-Surface: 2mm (Mechanical Surface Detection)
- Electronics: DAE4 Sn1260; Calibrated: 2022/9/22
- Phantom: SAM
- DASY52 52.10.4(1527); SEMCAD X 14.6.14(7483)

Area Scan (51x101x1): Interpolated grid: dx=15 mm, dy=15 mm

Maximum value of SAR (interpolated) = 13.7 W/kg

Zoom Scan (7x7x7)/Cube 0: Measurement grid: dx=5mm, dy=5mm, dz=5mm

Reference Value = 95.78 V/m; Power Drift = 0.12 dB

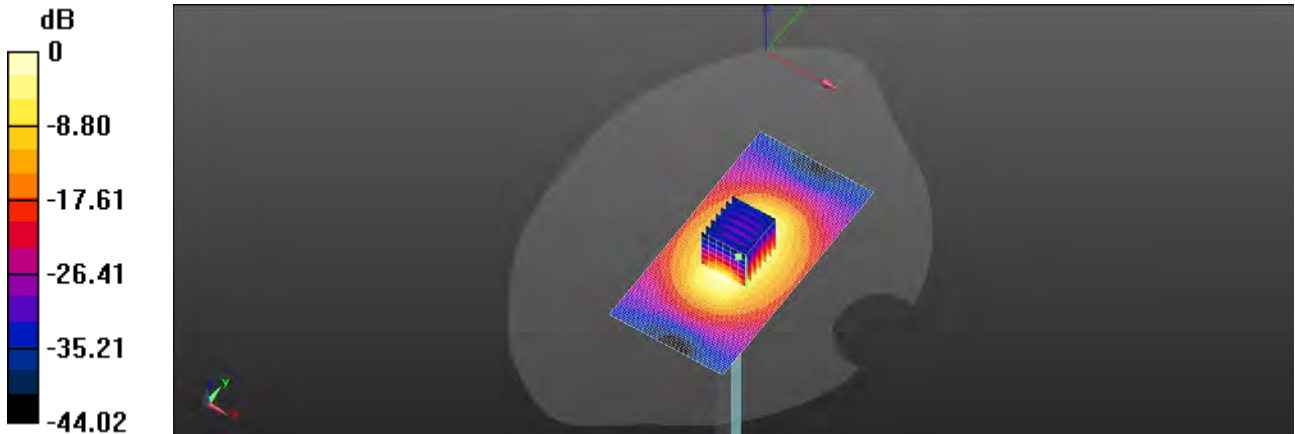
Peak SAR (extrapolated) = 17.3 W/kg

SAR(1 g) = 9.31 W/kg; SAR(10 g) = 4.85 W/kg

Smallest distance from peaks to all points 3 dB below = 11 mm

Ratio of SAR at M2 to SAR at M1 = 55.7%

Maximum value of SAR (measured) = 13.5 W/kg



0 dB = 13.7 W/kg = 11.38 dBW/kg

Unless otherwise stated the results shown in this test report refer only to the sample(s) tested and such sample(s) are retained for 90 days only.

除非另有說明，此報告結果僅對測試之樣品負責，同時此樣品僅保留90天。本報告未經本公司書面許可，不可部份複製。

This document is issued by the Company subject to its General Conditions of Service printed overleaf, available on request or accessible at <http://www.sgs.com.tw/Terms-and-Conditions> and for electronic format documents, subject to Terms and Conditions for Electronic Documents at <http://www.sgs.com.tw/Terms-and-Conditions>. Attention is drawn to the limitation of liability, indemnification and jurisdiction issues defined therein. Any holder of this document is advised that information contained hereon reflects the Company's findings at the time of its intervention only and within the limits of Client's instructions, if any. The Company's sole responsibility is to its Client and this document does not exonerate parties to a transaction from exercising all their rights and obligations under the transaction documents. This document cannot be reproduced except in full, without prior written approval of the Company. Any unauthorized alteration, forgery or falsification of the content or appearance of this document is unlawful and offenders may be prosecuted to the fullest extent of the law.

Report No. :TESA2303000153EN

Dipole 1750 MHz_SN:1008

Communication System: CW; Frequency: 1750 MHz; Duty cycle= 1:1

Medium parameters used: $f = 1750$ MHz; $\sigma = 1.329$ S/m; $\epsilon_r = 39.358$; $\rho = 1000$ kg/m³

Phantom section: Flat Section

Ambient temperature: 22.2°C; Liquid temperature: 21.8°C

DASY5 Configuration:

- Probe: EX3DV4 - SN7642; ConvF(8.5, 8.42, 8.36) @ 1750 MHz; Calibrated: 2023/2/20
- Sensor-Surface: 2mm (Mechanical Surface Detection)
- Electronics: DAE4 Sn1260; Calibrated: 2022/9/22
- Phantom: SAM
- DASY52 52.10.4(1527); SEMCAD X 14.6.14(7483)

Area Scan (41x71x1): Interpolated grid: dx=15 mm, dy=15 mm

Maximum value of SAR (interpolated) = 12.7 W/kg

Zoom Scan (7x7x7)/Cube 0: Measurement grid: dx=5mm, dy=5mm, dz=5mm

Reference Value = 93.61 V/m; Power Drift = 0.01 dB

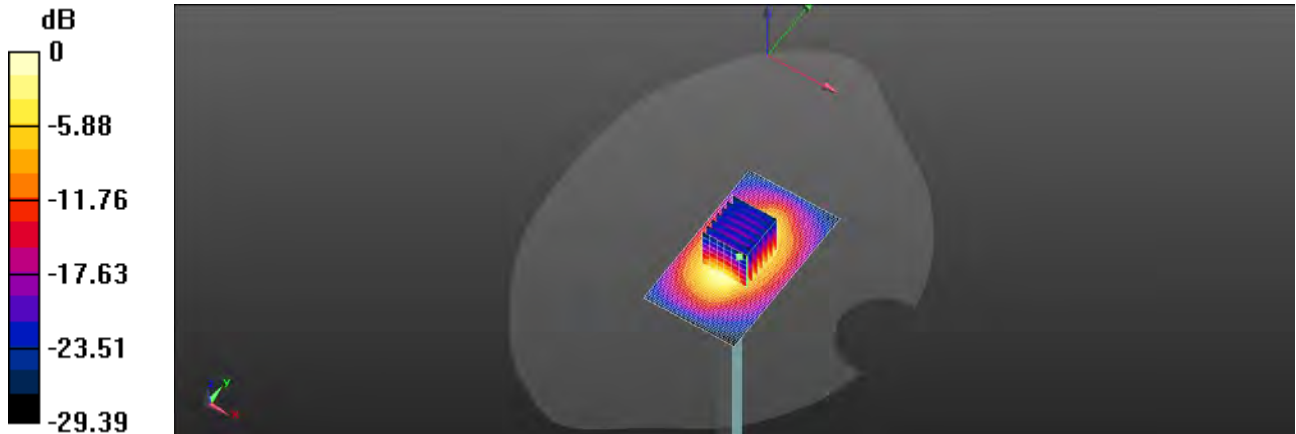
Peak SAR (extrapolated) = 15.6 W/kg

SAR(1 g) = 8.83 W/kg; SAR(10 g) = 4.83 W/kg

Smallest distance from peaks to all points 3 dB below = 10 mm

Ratio of SAR at M2 to SAR at M1 = 54.5%

Maximum value of SAR (measured) = 12.1 W/kg



0 dB = 12.7 W/kg = 11.02 dBW/kg

Unless otherwise stated the results shown in this test report refer only to the sample(s) tested and such sample(s) are retained for 90 days only.

除非另有說明，此報告結果僅對測試之樣品負責，同時此樣品僅保留90天。本報告未經本公司書面許可，不可部份複製。

This document is issued by the Company subject to its General Conditions of Service printed overleaf, available on request or accessible at <http://www.sgs.com.tw/Terms-and-Conditions> and for electronic format documents, subject to Terms and Conditions for Electronic Documents at <http://www.sgs.com.tw/Terms-and-Conditions>. Attention is drawn to the limitation of liability, indemnification and jurisdiction issues defined therein. Any holder of this document is advised that information contained hereon reflects the Company's findings at the time of its intervention only and within the limits of Client's instructions, if any. The Company's sole responsibility is to its Client and this document does not exonerate parties to a transaction from exercising all their rights and obligations under the transaction documents. This document cannot be reproduced except in full, without prior written approval of the Company. Any unauthorized alteration, forgery or falsification of the content or appearance of this document is unlawful and offenders may be prosecuted to the fullest extent of the law.

Report No. :TESA2303000153EN

Dipole 1900 MHz_SN:5d142

Communication System: CW; Frequency: 1900 MHz; Duty cycle= 1:1

Medium parameters used: $f = 1900 \text{ MHz}$; $\sigma = 1.437 \text{ S/m}$; $\epsilon_r = 38.986$; $\rho = 1000 \text{ kg/m}^3$

Phantom section: Flat Section

Ambient temperature: 22.5°C ; Liquid temperature: 22.2°C

DASY5 Configuration:

- Probe: EX3DV4 - SN7642; ConvF(8.17, 8.08, 8.1) @ 1900 MHz; Calibrated: 2023/2/20
- Sensor-Surface: 2mm (Mechanical Surface Detection)
- Electronics: DAE4 Sn1260; Calibrated: 2022/9/22
- Phantom: SAM
- DASY52 52.10.4(1527); SEMCAD X 14.6.14(7483)

Area Scan (51x91x1): Interpolated grid: $dx=15 \text{ mm}$, $dy=15 \text{ mm}$

Maximum value of SAR (interpolated) = 13.8 W/kg

Zoom Scan (7x7x7)/Cube 0: Measurement grid: $dx=5\text{mm}$, $dy=5\text{mm}$, $dz=5\text{mm}$

Reference Value = 101.5 V/m ; Power Drift = -0.12 dB

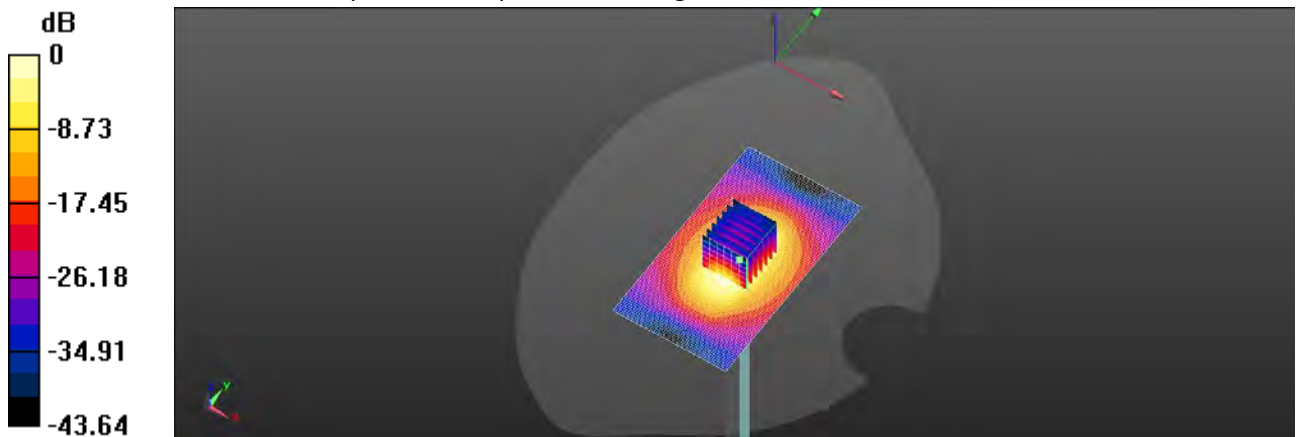
Peak SAR (extrapolated) = 15.4 W/kg

SAR(1 g) = 9.49 W/kg ; SAR(10 g) = 5.34 W/kg

Smallest distance from peaks to all points 3 dB below = 10 mm

Ratio of SAR at M2 to SAR at M1 = 62.6%

Maximum value of SAR (measured) = 12.9 W/kg



0 dB = 13.8 W/kg = 11.40 dBW/kg

Unless otherwise stated the results shown in this test report refer only to the sample(s) tested and such sample(s) are retained for 90 days only.

除非另有說明，此報告結果僅對測試之樣品負責，同時此樣品僅保留90天。本報告未經本公司書面許可，不可部份複製。

This document is issued by the Company subject to its General Conditions of Service printed overleaf, available on request or accessible at <http://www.sgs.com.tw/Terms-and-Conditions> and for electronic format documents, subject to Terms and Conditions for Electronic Documents at <http://www.sgs.com.tw/Terms-and-Conditions>. Attention is drawn to the limitation of liability, indemnification and jurisdiction issues defined therein. Any holder of this document is advised that information contained hereon reflects the Company's findings at the time of its intervention only and within the limits of Client's instructions, if any. The Company's sole responsibility is to its Client and this document does not exonerate parties to a transaction from exercising all their rights and obligations under the transaction documents. This document cannot be reproduced except in full, without prior written approval of the Company. Any unauthorized alteration, forgery or falsification of the content or appearance of this document is unlawful and offenders may be prosecuted to the fullest extent of the law.

Report No. :TESA2303000153EN

Dipole 1900 MHz_SN:5d142

Communication System: CW; Frequency: 1900 MHz; Duty cycle= 1:1

Medium parameters used: $f = 1900 \text{ MHz}$; $\sigma = 1.426 \text{ S/m}$; $\epsilon_r = 39.125$; $\rho = 1000 \text{ kg/m}^3$

Phantom section: Flat Section

Ambient temperature: 22.3°C; Liquid temperature: 21.9°C

DASY5 Configuration:

- Probe: EX3DV4 - SN7642; ConvF(8.17, 8.08, 8.1) @ 1900 MHz; Calibrated: 2023/2/20
- Sensor-Surface: 2mm (Mechanical Surface Detection)
- Electronics: DAE4 Sn1260; Calibrated: 2022/9/22
- Phantom: SAM
- DASY52 52.10.4(1527); SEMCAD X 14.6.14(7483)

Area Scan (51x91x1): Interpolated grid: $dx=15 \text{ mm}$, $dy=15 \text{ mm}$

Maximum value of SAR (interpolated) = 14.1 W/kg

Zoom Scan (7x7x7)/Cube 0: Measurement grid: $dx=5\text{mm}$, $dy=5\text{mm}$, $dz=5\text{mm}$

Reference Value = 107.3 V/m; Power Drift = -0.17 dB

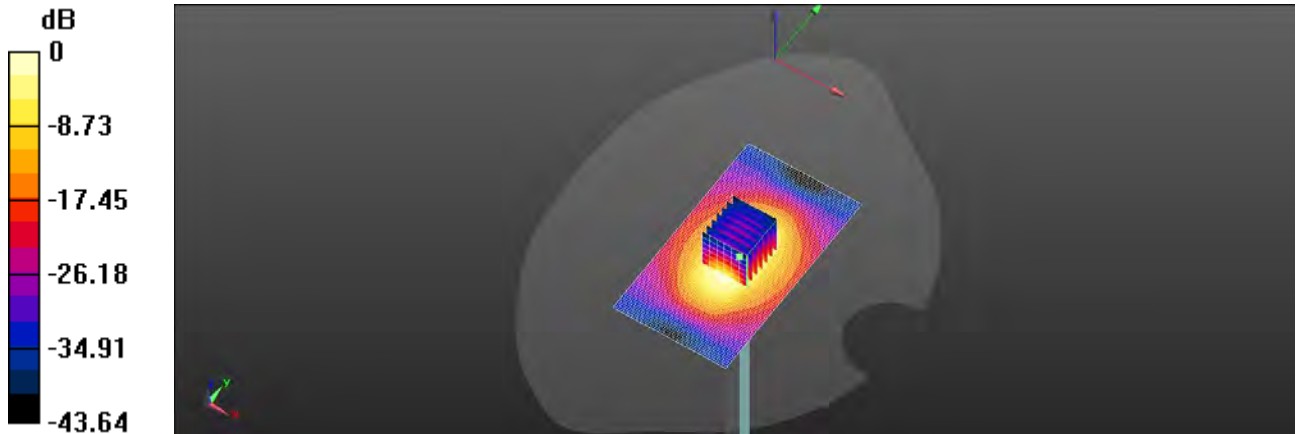
Peak SAR (extrapolated) = 15.7 W/kg

SAR(1 g) = 9.65 W/kg; SAR(10 g) = 5.4 W/kg

Smallest distance from peaks to all points 3 dB below = 10.1 mm

Ratio of SAR at M2 to SAR at M1 = 63.2%

Maximum value of SAR (measured) = 13.1 W/kg



0 dB = 14.1 W/kg = 11.50 dBW/kg

Unless otherwise stated the results shown in this test report refer only to the sample(s) tested and such sample(s) are retained for 90 days only.

除非另有說明，此報告結果僅對測試之樣品負責，同時此樣品僅保留90天。本報告未經本公司書面許可，不可部份複製。

This document is issued by the Company subject to its General Conditions of Service printed overleaf, available on request or accessible at <http://www.sgs.com.tw/Terms-and-Conditions> and for electronic format documents, subject to Terms and Conditions for Electronic Documents at <http://www.sgs.com.tw/Terms-and-Conditions>. Attention is drawn to the limitation of liability, indemnification and jurisdiction issues defined therein. Any holder of this document is advised that information contained hereon reflects the Company's findings at the time of its intervention only and within the limits of Client's instructions, if any. The Company's sole responsibility is to its Client and this document does not exonerate parties to a transaction from exercising all their rights and obligations under the transaction documents. This document cannot be reproduced except in full, without prior written approval of the Company. Any unauthorized alteration, forgery or falsification of the content or appearance of this document is unlawful and offenders may be prosecuted to the fullest extent of the law.

Report No. :TESA2303000153EN

Dipole 2300 MHz_SN:1023

Communication System: CW; Frequency: 2300 MHz; Duty cycle= 1:1

Medium parameters used: $f = 2300$ MHz; $\sigma = 1.722$ S/m; $\epsilon_r = 38.566$; $\rho = 1000$ kg/m³

Phantom section: Flat Section

Ambient temperature: 22.1°C; Liquid temperature: 21.8°C

DASY5 Configuration:

- Probe: EX3DV4 - SN7642; ConvF(8.06, 7.96, 7.99) @ 2300 MHz; Calibrated: 2023/2/20
- Sensor-Surface: 2mm (Mechanical Surface Detection)
- Electronics: DAE4 Sn1260; Calibrated: 2022/9/22
- Phantom: SAM
- DASY52 52.10.4(1527); SEMCAD X 14.6.14(7483)

Area Scan (51x101x1): Interpolated grid: dx=12 mm, dy=12 mm

Maximum value of SAR (interpolated) = 17.4 W/kg

Zoom Scan (7x7x7)/Cube 0: Measurement grid: dx=5mm, dy=5mm, dz=5mm

Reference Value = 110.3 V/m; Power Drift = -0.05 dB

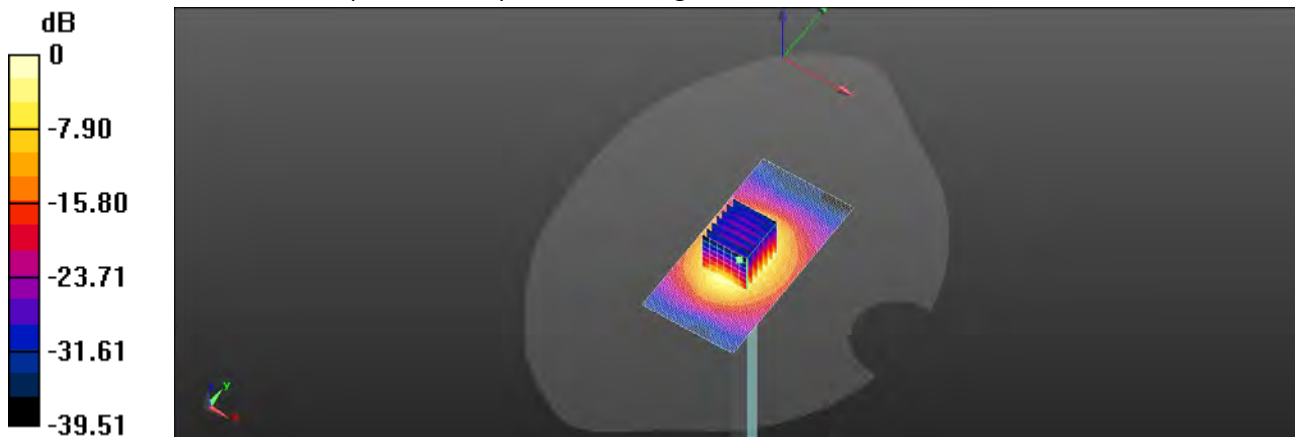
Peak SAR (extrapolated) = 22.8 W/kg

SAR(1 g) = 11.6 W/kg; SAR(10 g) = 5.75 W/kg

Smallest distance from peaks to all points 3 dB below = 10 mm

Ratio of SAR at M2 to SAR at M1 = 48.9%

Maximum value of SAR (measured) = 16.8 W/kg



0 dB = 17.4 W/kg = 12.41 dBW/kg

Unless otherwise stated the results shown in this test report refer only to the sample(s) tested and such sample(s) are retained for 90 days only.

除非另有說明，此報告結果僅對測試之樣品負責，同時此樣品僅保留90天。本報告未經本公司書面許可，不可部份複製。

This document is issued by the Company subject to its General Conditions of Service printed overleaf, available on request or accessible at <http://www.sgs.com.tw/Terms-and-Conditions> and for electronic format documents, subject to Terms and Conditions for Electronic Documents at <http://www.sgs.com.tw/Terms-and-Conditions>. Attention is drawn to the limitation of liability, indemnification and jurisdiction issues defined therein. Any holder of this document is advised that information contained hereon reflects the Company's findings at the time of its intervention only and within the limits of Client's instructions, if any. The Company's sole responsibility is to its Client and this document does not exonerate parties to a transaction from exercising all their rights and obligations under the transaction documents. This document cannot be reproduced except in full, without prior written approval of the Company. Any unauthorized alteration, forgery or falsification of the content or appearance of this document is unlawful and offenders may be prosecuted to the fullest extent of the law.

Report No. :TESA2303000153EN

Dipole 2600 MHz_SN:1005

Communication System: CW; Frequency: 2600 MHz; Duty cycle= 1:1

Medium parameters used: $f = 2600$ MHz; $\sigma = 1.91$ S/m; $\epsilon_r = 37.441$; $\rho = 1000$ kg/m³

Phantom section: Flat Section

Ambient temperature: 21.8°C; Liquid temperature: 21.4°C

DASY5 Configuration:

- Probe: EX3DV4 - SN7642; ConvF(7.71, 7.59, 7.66) @ 2600 MHz; Calibrated: 2023/2/20
- Sensor-Surface: 2mm (Mechanical Surface Detection)
- Electronics: DAE4 Sn1260; Calibrated: 2022/9/22
- Phantom: SAM
- DASY52 52.10.4(1527); SEMCAD X 14.6.14(7483)

Area Scan (61x61x1): Interpolated grid: dx=12 mm, dy=12 mm

Maximum value of SAR (interpolated) = 22.9 W/kg

Zoom Scan (7x7x7)/Cube 0: Measurement grid: dx=5mm, dy=5mm, dz=5mm

Reference Value = 105.1 V/m; Power Drift = 0.05 dB

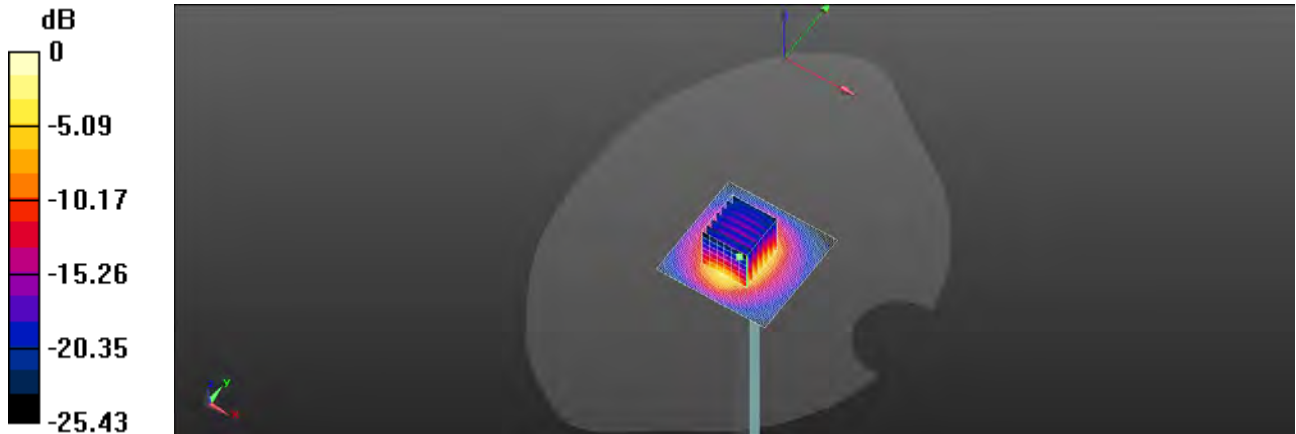
Peak SAR (extrapolated) = 30.3 W/kg

SAR(1 g) = 14.3 W/kg; SAR(10 g) = 6.46 W/kg

Smallest distance from peaks to all points 3 dB below = 10 mm

Ratio of SAR at M2 to SAR at M1 = 47.5%

Maximum value of SAR (measured) = 22.2 W/kg



0 dB = 22.9 W/kg = 13.59 dBW/kg

Unless otherwise stated the results shown in this test report refer only to the sample(s) tested and such sample(s) are retained for 90 days only.

除非另有說明，此報告結果僅對測試之樣品負責，同時此樣品僅保留90天。本報告未經本公司書面許可，不可部份複製。

This document is issued by the Company subject to its General Conditions of Service printed overleaf, available on request or accessible at <http://www.sgs.com.tw/Terms-and-Conditions> and for electronic format documents, subject to Terms and Conditions for Electronic Documents at <http://www.sgs.com.tw/Terms-and-Conditions>. Attention is drawn to the limitation of liability, indemnification and jurisdiction issues defined therein. Any holder of this document is advised that information contained hereon reflects the Company's findings at the time of its intervention only and within the limits of Client's instructions, if any. The Company's sole responsibility is to its Client and this document does not exonerate parties to a transaction from exercising all their rights and obligations under the transaction documents. This document cannot be reproduced except in full, without prior written approval of the Company. Any unauthorized alteration, forgery or falsification of the content or appearance of this document is unlawful and offenders may be prosecuted to the fullest extent of the law.

Report No. :TESA2303000153EN

Dipole 2600 MHz_SN:1005

Communication System: CW; Frequency: 2600 MHz; Duty cycle= 1:1

Medium parameters used: $f = 2600$ MHz; $\sigma = 1.914$ S/m; $\epsilon_r = 37.766$; $\rho = 1000$ kg/m³

Phantom section: Flat Section

Ambient temperature: 21.9°C; Liquid temperature: 21.6°C

DASY5 Configuration:

- Probe: EX3DV4 - SN7642; ConvF(7.71, 7.59, 7.66) @ 2600 MHz; Calibrated: 2023/2/20
- Sensor-Surface: 2mm (Mechanical Surface Detection)
- Electronics: DAE4 Sn1260; Calibrated: 2022/9/22
- Phantom: SAM
- DASY52 52.10.4(1527); SEMCAD X 14.6.14(7483)

Area Scan (61x61x1): Interpolated grid: dx=12 mm, dy=12 mm

Maximum value of SAR (interpolated) = 23.1 W/kg

Zoom Scan (7x7x7)/Cube 0: Measurement grid: dx=5mm, dy=5mm, dz=5mm

Reference Value = 106.1 V/m; Power Drift = 0.15 dB

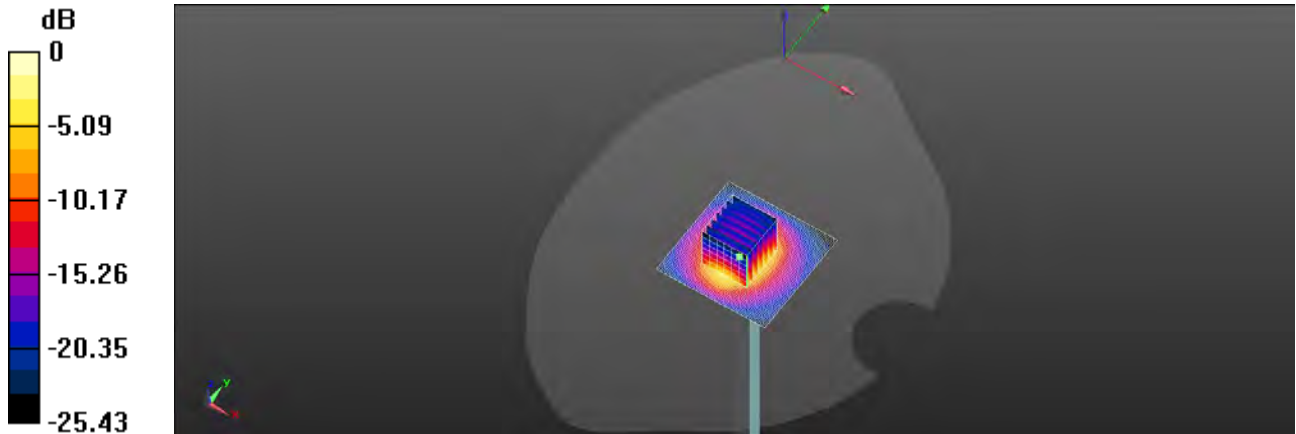
Peak SAR (extrapolated) = 30.6 W/kg

SAR(1 g) = 14.4 W/kg; SAR(10 g) = 6.49 W/kg

Smallest distance from peaks to all points 3 dB below = 10.5 mm

Ratio of SAR at M2 to SAR at M1 = 49.2%

Maximum value of SAR (measured) = 22.4 W/kg



0 dB = 23.1 W/kg = 13.63 dBW/kg

Unless otherwise stated the results shown in this test report refer only to the sample(s) tested and such sample(s) are retained for 90 days only.

除非另有說明，此報告結果僅對測試之樣品負責，同時此樣品僅保留90天。本報告未經本公司書面許可，不可部份複製。

This document is issued by the Company subject to its General Conditions of Service printed overleaf, available on request or accessible at <http://www.sgs.com.tw/Terms-and-Conditions> and for electronic format documents, subject to Terms and Conditions for Electronic Documents at <http://www.sgs.com.tw/Terms-and-Conditions>. Attention is drawn to the limitation of liability, indemnification and jurisdiction issues defined therein. Any holder of this document is advised that information contained hereon reflects the Company's findings at the time of its intervention only and within the limits of Client's instructions, if any. The Company's sole responsibility is to its Client and this document does not exonerate parties to a transaction from exercising all their rights and obligations under the transaction documents. This document cannot be reproduced except in full, without prior written approval of the Company. Any unauthorized alteration, forgery or falsification of the content or appearance of this document is unlawful and offenders may be prosecuted to the fullest extent of the law.

Report No. :TESA2303000153EN

Dipole 2600 MHz_SN:1005

Communication System: CW; Frequency: 2600 MHz; Duty cycle= 1:1

Medium parameters used: $f = 2600$ MHz; $\sigma = 1.916$ S/m; $\epsilon_r = 37.573$; $\rho = 1000$ kg/m³

Phantom section: Flat Section

Ambient temperature: 22.0°C; Liquid temperature: 21.7°C

DASY5 Configuration:

- Probe: EX3DV4 - SN7642; ConvF(7.71, 7.59, 7.66) @ 2600 MHz; Calibrated: 2023/2/20
- Sensor-Surface: 2mm (Mechanical Surface Detection)
- Electronics: DAE4 Sn1260; Calibrated: 2022/9/22
- Phantom: SAM
- DASY52 52.10.4(1527); SEMCAD X 14.6.14(7483)

Area Scan (61x61x1): Interpolated grid: dx=12 mm, dy=12 mm

Maximum value of SAR (interpolated) = 21.7 W/kg

Zoom Scan (7x7x7)/Cube 0: Measurement grid: dx=5mm, dy=5mm, dz=5mm

Reference Value = 104.9 V/m; Power Drift = -0.03 dB

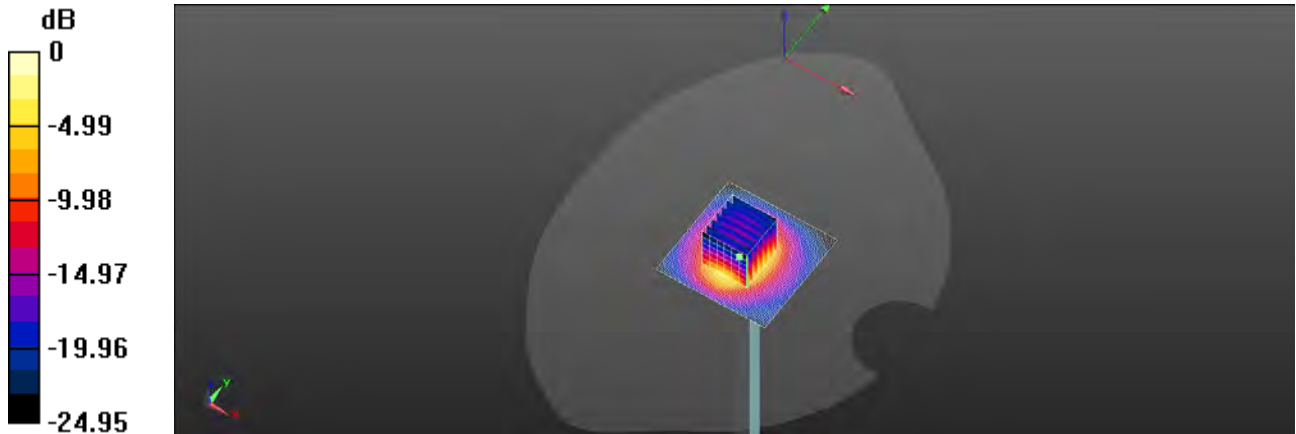
Peak SAR (extrapolated) = 28.7 W/kg

SAR(1 g) = 13.6 W/kg; SAR(10 g) = 6.26 W/kg

Smallest distance from peaks to all points 3 dB below = 10.3 mm

Ratio of SAR at M2 to SAR at M1 = 47.4%

Maximum value of SAR (measured) = 21.0 W/kg



0 dB = 21.7 W/kg = 13.36 dBW/kg

Unless otherwise stated the results shown in this test report refer only to the sample(s) tested and such sample(s) are retained for 90 days only.

除非另有說明，此報告結果僅對測試之樣品負責，同時此樣品僅保留90天。本報告未經本公司書面許可，不可部份複製。

This document is issued by the Company subject to its General Conditions of Service printed overleaf, available on request or accessible at <http://www.sgs.com.tw/Terms-and-Conditions> and for electronic format documents, subject to Terms and Conditions for Electronic Documents at <http://www.sgs.com.tw/Terms-and-Conditions>. Attention is drawn to the limitation of liability, indemnification and jurisdiction issues defined therein. Any holder of this document is advised that information contained hereon reflects the Company's findings at the time of its intervention only and within the limits of Client's instructions, if any. The Company's sole responsibility is to its Client and this document does not exonerate parties to a transaction from exercising all their rights and obligations under the transaction documents. This document cannot be reproduced except in full, without prior written approval of the Company. Any unauthorized alteration, forgery or falsification of the content or appearance of this document is unlawful and offenders may be prosecuted to the fullest extent of the law.

Report No. :TESA2303000153EN

Dipole 3500 MHz_SN:1009

Communication System: CW; Frequency: 3500 MHz; Duty cycle= 1:1

Medium parameters used: $f = 3500$ MHz; $\sigma = 2.901$ S/m; $\epsilon_r = 38.422$; $\rho = 1000$ kg/m³

Phantom section: Flat Section

Ambient temperature: 22.2°C; Liquid temperature: 22.0°C

DASY5 Configuration:

- Probe: EX3DV4 - SN7642; ConvF(6.96, 6.9, 6.91) @ 3500 MHz; Calibrated: 2023/2/20
- Sensor-Surface: 2mm (Mechanical Surface Detection)
- Electronics: DAE4 Sn1260; Calibrated: 2022/9/22
- Phantom: SAM
- DASY52 52.10.4(1527); SEMCAD X 14.6.14(7483)

Area Scan (71x81x1): Interpolated grid: dx=10 mm, dy=10 mm

Maximum value of SAR (interpolated) = 11.6 W/kg

Zoom Scan (7x7x12)/Cube 0: Measurement grid: dx=4mm, dy=4mm, dz=2mm

Reference Value = 63.35 V/m; Power Drift = -0.11 dB

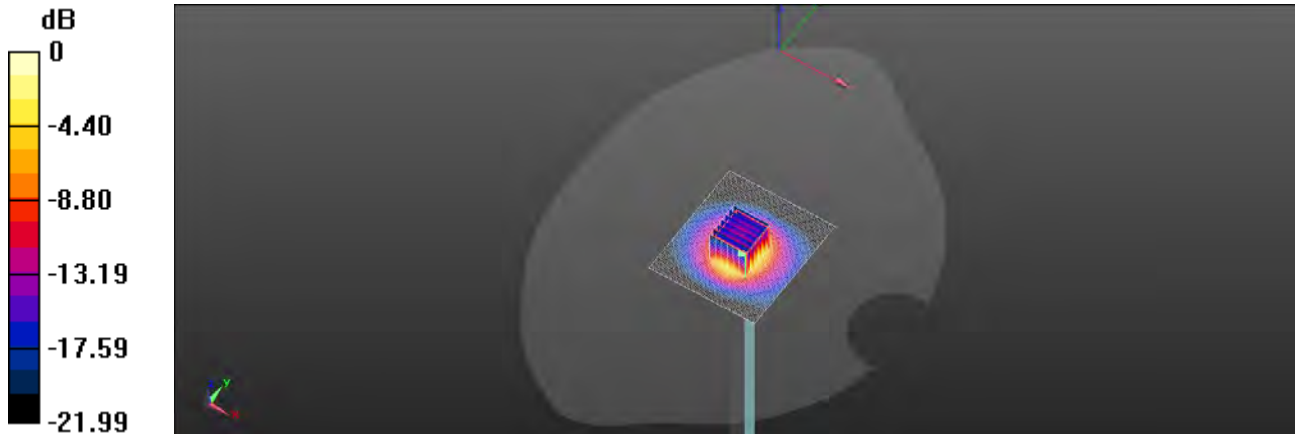
Peak SAR (extrapolated) = 15.7 W/kg

SAR(1 g) = 6.65 W/kg; SAR(10 g) = 2.62 W/kg

Smallest distance from peaks to all points 3 dB below = 8.4 mm

Ratio of SAR at M2 to SAR at M1 = 70.6%

Maximum value of SAR (measured) = 11.0 W/kg



0 dB = 11.0 W/kg = 10.41 dBW/kg

Unless otherwise stated the results shown in this test report refer only to the sample(s) tested and such sample(s) are retained for 90 days only.

除非另有說明，此報告結果僅對測試之樣品負責，同時此樣品僅保留90天。本報告未經本公司書面許可，不可部份複製。

This document is issued by the Company subject to its General Conditions of Service printed overleaf, available on request or accessible at <http://www.sgs.com.tw/Terms-and-Conditions> and for electronic format documents, subject to Terms and Conditions for Electronic Documents at <http://www.sgs.com.tw/Terms-and-Conditions>. Attention is drawn to the limitation of liability, indemnification and jurisdiction issues defined therein. Any holder of this document is advised that information contained hereon reflects the Company's findings at the time of its intervention only and within the limits of Client's instructions, if any. The Company's sole responsibility is to its Client and this document does not exonerate parties to a transaction from exercising all their rights and obligations under the transaction documents. This document cannot be reproduced except in full, without prior written approval of the Company. Any unauthorized alteration, forgery or falsification of the content or appearance of this document is unlawful and offenders may be prosecuted to the fullest extent of the law.

Report No. :TESA2303000153EN

Dipole 3500 MHz_SN:1009

Communication System: CW; Frequency: 3500 MHz; Duty cycle= 1:1

Medium parameters used: $f = 3500 \text{ MHz}$; $\sigma = 2.88 \text{ S/m}$; $\epsilon_r = 38.255$; $\rho = 1000 \text{ kg/m}^3$

Phantom section: Flat Section

Ambient temperature: 22.4°C; Liquid temperature: 22.1°C

DASY5 Configuration:

- Probe: EX3DV4 - SN7642; ConvF(6.96, 6.9, 6.91) @ 3500 MHz; Calibrated: 2023/2/20
- Sensor-Surface: 2mm (Mechanical Surface Detection)
- Electronics: DAE4 Sn1260; Calibrated: 2022/9/22
- Phantom: SAM
- DASY52 52.10.4(1527); SEMCAD X 14.6.14(7483)

Area Scan (71x81x1): Interpolated grid: dx=10 mm, dy=10 mm

Maximum value of SAR (interpolated) = 11.5 W/kg

Zoom Scan (7x7x12)/Cube 0: Measurement grid: dx=4mm, dy=4mm, dz=2mm

Reference Value = 67.18 V/m; Power Drift = -0.13 dB

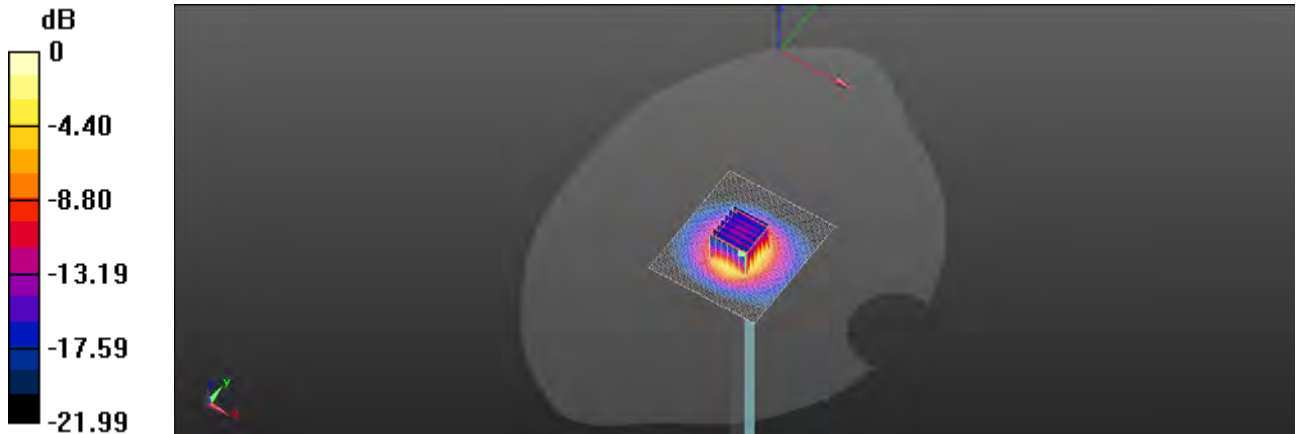
Peak SAR (extrapolated) = 15.6 W/kg

SAR(1 g) = 6.64 W/kg; SAR(10 g) = 2.61 W/kg

Smallest distance from peaks to all points 3 dB below = 8.5 mm

Ratio of SAR at M2 to SAR at M1 = 72.1%

Maximum value of SAR (measured) = 11.0 W/kg



0 dB = 11.0 W/kg = 10.41 dBW/kg

Unless otherwise stated the results shown in this test report refer only to the sample(s) tested and such sample(s) are retained for 90 days only.

除非另有說明，此報告結果僅對測試之樣品負責，同時此樣品僅保留90天。本報告未經本公司書面許可，不可部份複製。

This document is issued by the Company subject to its General Conditions of Service printed overleaf, available on request or accessible at <http://www.sgs.com.tw/Terms-and-Conditions> and for electronic format documents, subject to Terms and Conditions for Electronic Documents at <http://www.sgs.com.tw/Terms-and-Conditions>. Attention is drawn to the limitation of liability, indemnification and jurisdiction issues defined therein. Any holder of this document is advised that information contained hereon reflects the Company's findings at the time of its intervention only and within the limits of Client's instructions, if any. The Company's sole responsibility is to its Client and this document does not exonerate parties to a transaction from exercising all their rights and obligations under the transaction documents. This document cannot be reproduced except in full, without prior written approval of the Company. Any unauthorized alteration, forgery or falsification of the content or appearance of this document is unlawful and offenders may be prosecuted to the fullest extent of the law.

Report No. :TESA2303000153EN

Dipole 3700 MHz_SN:1057

Communication System: CW; Frequency: 3700 MHz; Duty cycle= 1:1

Medium parameters used: $f = 3700 \text{ MHz}$; $\sigma = 3.096 \text{ S/m}$; $\epsilon_r = 38.078$; $\rho = 1000 \text{ kg/m}^3$

Phantom section: Flat Section

Ambient temperature: 22.1°C ; Liquid temperature: 21.7°C

DASY5 Configuration:

- Probe: EX3DV4 - SN7642; ConvF(6.84, 6.77, 6.79) @ 3700 MHz; Calibrated: 2023/2/20
- Sensor-Surface: 2mm (Mechanical Surface Detection)
- Electronics: DAE4 Sn1260; Calibrated: 2022/9/22
- Phantom: SAM
- DASY52 52.10.4(1527); SEMCAD X 14.6.14(7483)

Area Scan (61x61x1): Interpolated grid: $dx=10 \text{ mm}$, $dy=10 \text{ mm}$

Maximum value of SAR (interpolated) = 12.5 W/kg

Zoom Scan (7x7x12)/Cube 0: Measurement grid: $dx=4\text{mm}$, $dy=4\text{mm}$, $dz=2\text{mm}$

Reference Value = 65.98 V/m ; Power Drift = -0.12 dB

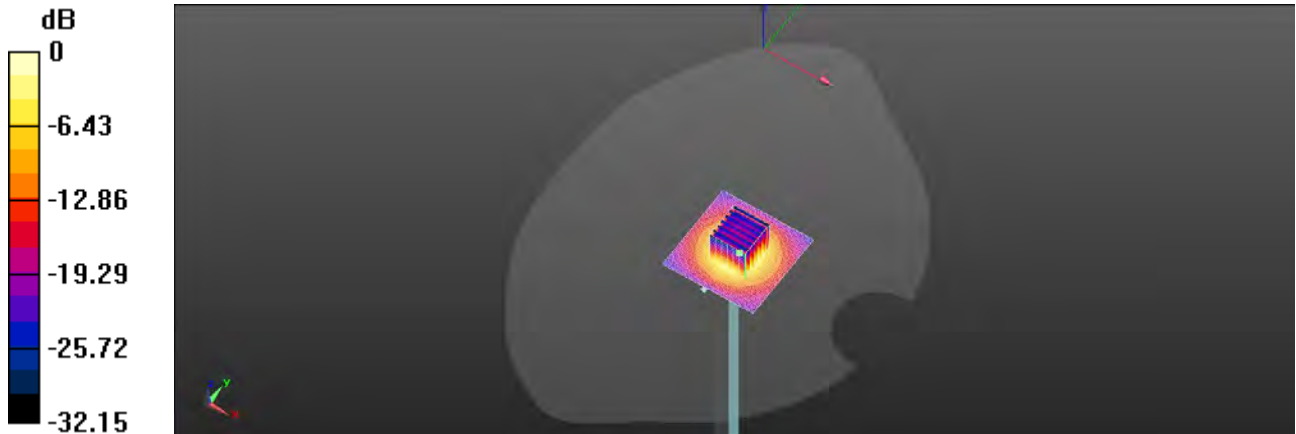
Peak SAR (extrapolated) = 21.1 W/kg

SAR(1 g) = 6.61 W/kg ; SAR(10 g) = 2.31 W/kg

Smallest distance from peaks to all points 3 dB below = 8.6 mm

Ratio of SAR at M2 to SAR at M1 = 60.5%

Maximum value of SAR (measured) = 12.5 W/kg



0 dB = 12.5 W/kg = 10.97 dBW/kg

Unless otherwise stated the results shown in this test report refer only to the sample(s) tested and such sample(s) are retained for 90 days only.

除非另有說明，此報告結果僅對測試之樣品負責，同時此樣品僅保留90天。本報告未經本公司書面許可，不可部份複製。

This document is issued by the Company subject to its General Conditions of Service printed overleaf, available on request or accessible at <http://www.sgs.com.tw/Terms-and-Conditions> and for electronic format documents, subject to Terms and Conditions for Electronic Documents at <http://www.sgs.com.tw/Terms-and-Conditions>. Attention is drawn to the limitation of liability, indemnification and jurisdiction issues defined therein. Any holder of this document is advised that information contained hereon reflects the Company's findings at the time of its intervention only and within the limits of Client's instructions, if any. The Company's sole responsibility is to its Client and this document does not exonerate parties to a transaction from exercising all their rights and obligations under the transaction documents. This document cannot be reproduced except in full, without prior written approval of the Company. Any unauthorized alteration, forgery or falsification of the content or appearance of this document is unlawful and offenders may be prosecuted to the fullest extent of the law.

Report No. :TESA2303000153EN

Dipole 3700 MHz_SN:1057

Communication System: CW; Frequency: 3700 MHz; Duty cycle= 1:1

Medium parameters used: $f = 3700 \text{ MHz}$; $\sigma = 3.073 \text{ S/m}$; $\epsilon_r = 38.91$; $\rho = 1000 \text{ kg/m}^3$

Phantom section: Flat Section

Ambient temperature: 21.9°C; Liquid temperature: 21.7°C

DASY5 Configuration:

- Probe: EX3DV4 - SN7642; ConvF(6.84, 6.77, 6.79) @ 3700 MHz; Calibrated: 2023/2/20
- Sensor-Surface: 2mm (Mechanical Surface Detection)
- Electronics: DAE4 Sn1260; Calibrated: 2022/9/22
- Phantom: SAM
- DASY52 52.10.4(1527); SEMCAD X 14.6.14(7483)

Area Scan (61x61x1): Interpolated grid: dx=10 mm, dy=10 mm

Maximum value of SAR (interpolated) = 12.4 W/kg

Zoom Scan (7x7x12)/Cube 0: Measurement grid: dx=4mm, dy=4mm, dz=2mm

Reference Value = 65.17 V/m; Power Drift = -0.03 dB

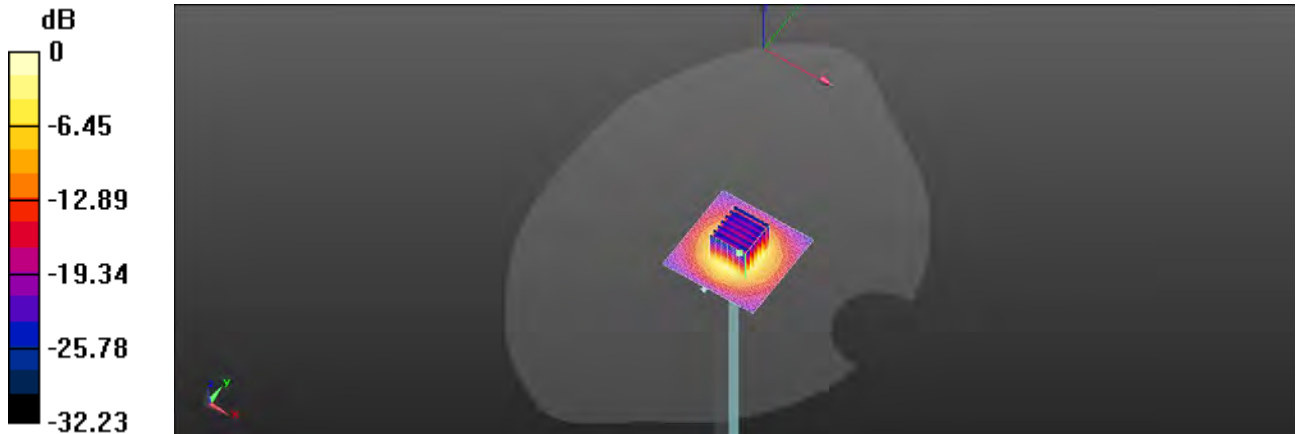
Peak SAR (extrapolated) = 20.8 W/kg

SAR(1 g) = 6.62 W/kg; SAR(10 g) = 2.34 W/kg

Smallest distance from peaks to all points 3 dB below = 8.8 mm

Ratio of SAR at M2 to SAR at M1 = 63.8%

Maximum value of SAR (measured) = 12.3 W/kg



0 dB = 12.3 W/kg = 10.90 dBW/kg

Unless otherwise stated the results shown in this test report refer only to the sample(s) tested and such sample(s) are retained for 90 days only.

除非另有說明，此報告結果僅對測試之樣品負責，同時此樣品僅保留90天。本報告未經本公司書面許可，不可部份複製。

This document is issued by the Company subject to its General Conditions of Service printed overleaf, available on request or accessible at <http://www.sgs.com.tw/Terms-and-Conditions> and for electronic format documents, subject to Terms and Conditions for Electronic Documents at <http://www.sgs.com.tw/Terms-and-Conditions>. Attention is drawn to the limitation of liability, indemnification and jurisdiction issues defined therein. Any holder of this document is advised that information contained hereon reflects the Company's findings at the time of its intervention only and within the limits of Client's instructions, if any. The Company's sole responsibility is to its Client and this document does not exonerate parties to a transaction from exercising all their rights and obligations under the transaction documents. This document cannot be reproduced except in full, without prior written approval of the Company. Any unauthorized alteration, forgery or falsification of the content or appearance of this document is unlawful and offenders may be prosecuted to the fullest extent of the law.

Report No. :TESA2303000153EN

Dipole 3700 MHz_SN:1057

Communication System: CW; Frequency: 3700 MHz; Duty cycle= 1:1

Medium parameters used: $f = 3700$ MHz; $\sigma = 3.089$ S/m; $\epsilon_r = 38.037$; $\rho = 1000$ kg/m³

Phantom section: Flat Section

Ambient temperature: 21.7°C; Liquid temperature: 21.5°C

DASY5 Configuration:

- Probe: EX3DV4 - SN7642; ConvF(6.84, 6.77, 6.79) @ 3700 MHz; Calibrated: 2023/2/20
- Sensor-Surface: 2mm (Mechanical Surface Detection)
- Electronics: DAE4 Sn1260; Calibrated: 2022/9/22
- Phantom: SAM
- DASY52 52.10.4(1527); SEMCAD X 14.6.14(7483)

Area Scan (61x61x1): Interpolated grid: dx=10 mm, dy=10 mm

Maximum value of SAR (interpolated) = 12.1 W/kg

Zoom Scan (7x7x12)/Cube 0: Measurement grid: dx=4mm, dy=4mm, dz=2mm

Reference Value = 64.97 V/m; Power Drift = -0.15 dB

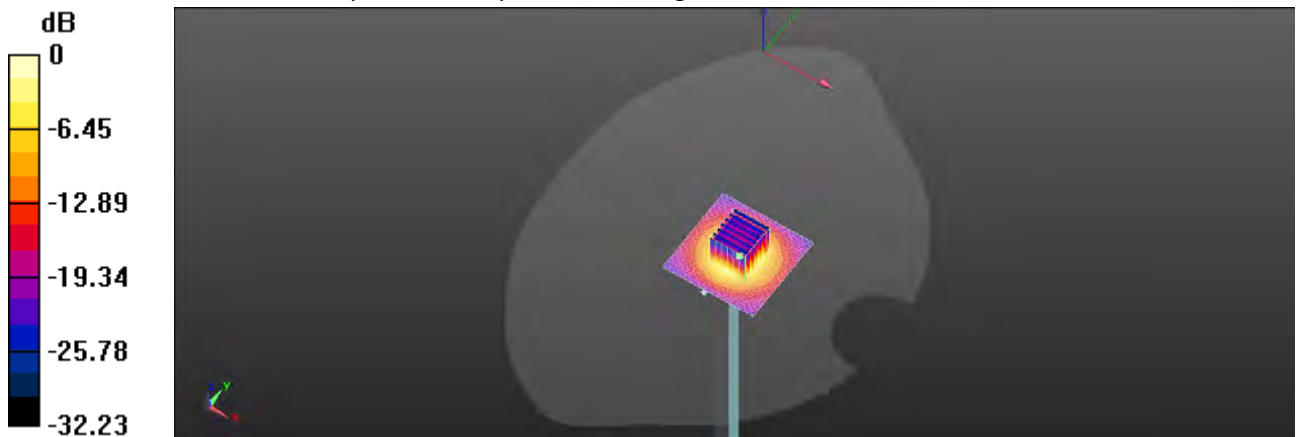
Peak SAR (extrapolated) = 20.3 W/kg

SAR(1 g) = 6.53 W/kg; SAR(10 g) = 2.32 W/kg

Smallest distance from peaks to all points 3 dB below = 8.8 mm

Ratio of SAR at M2 to SAR at M1 = 61.7%

Maximum value of SAR (measured) = 12.0 W/kg



0 dB = 12.0 W/kg = 10.79 dBW/kg

Unless otherwise stated the results shown in this test report refer only to the sample(s) tested and such sample(s) are retained for 90 days only.

除非另有說明，此報告結果僅對測試之樣品負責，同時此樣品僅保留90天。本報告未經本公司書面許可，不可部份複製。

This document is issued by the Company subject to its General Conditions of Service printed overleaf, available on request or accessible at <http://www.sgs.com.tw/Terms-and-Conditions> and for electronic format documents, subject to Terms and Conditions for Electronic Documents at <http://www.sgs.com.tw/Terms-and-Conditions>. Attention is drawn to the limitation of liability, indemnification and jurisdiction issues defined therein. Any holder of this document is advised that information contained hereon reflects the Company's findings at the time of its intervention only and within the limits of Client's instructions, if any. The Company's sole responsibility is to its Client and this document does not exonerate parties to a transaction from exercising all their rights and obligations under the transaction documents. This document cannot be reproduced except in full, without prior written approval of the Company. Any unauthorized alteration, forgery or falsification of the content or appearance of this document is unlawful and offenders may be prosecuted to the fullest extent of the law.

Date: 2023/5/12

Report No. : TESA2303000153EN

Dipole 3900 MHz_SN:1032

Communication System: CW; Frequency: 3900 MHz; Duty cycle= 1:1

Medium parameters used: $f = 3900 \text{ MHz}$; $\sigma = 3.293 \text{ S/m}$; $\epsilon_r = 37.784$; $\rho = 1000 \text{ kg/m}^3$

Phantom section: Flat Section

Ambient temperature: 21.8°C; Liquid temperature: 21.5°C

DASY5 Configuration:

- Probe: EX3DV4 - SN7642; ConvF(6.83, 6.72, 6.74) @ 3900 MHz; Calibrated: 2023/2/20
- Sensor-Surface: 2mm (Mechanical Surface Detection)
- Electronics: DAE4 Sn1260; Calibrated: 2022/9/22
- Phantom: SAM
- DASY52 52.10.4(1527); SEMCAD X 14.6.14(7483)

Area Scan (61x61x1): Interpolated grid: dx=10 mm, dy=10 mm

Maximum value of SAR (interpolated) = 11.7 W/kg

Zoom Scan (7x7x12)/Cube 0: Measurement grid: dx=4mm, dy=4mm, dz=2mm

Reference Value = 62.63 V/m; Power Drift = -0.11 dB

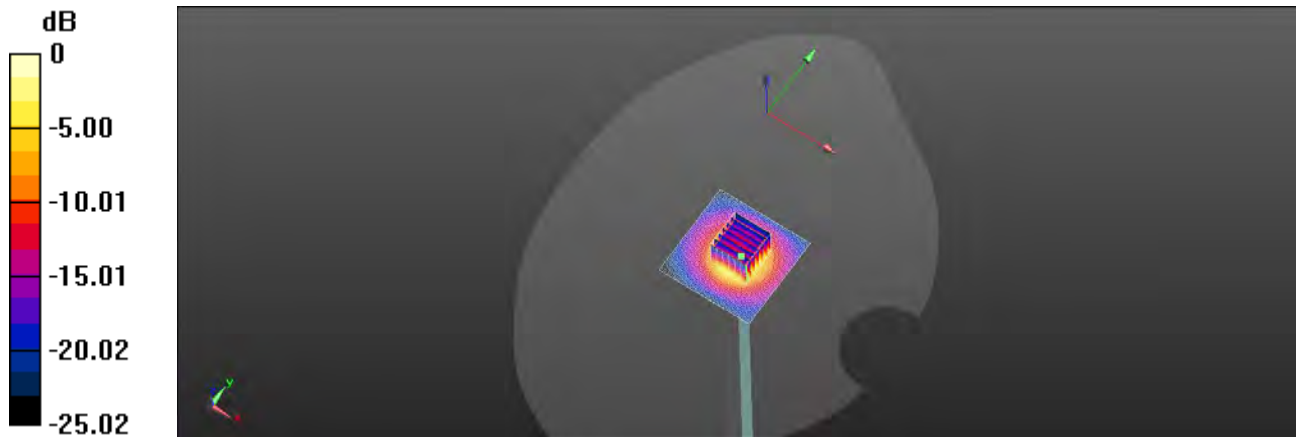
Peak SAR (extrapolated) = 17.3 W/kg

SAR(1 g) = 6.75 W/kg; SAR(10 g) = 2.51 W/kg

Smallest distance from peaks to all points 3 dB below = 8.4 mm

Ratio of SAR at M2 to SAR at M1 = 67.4%

Maximum value of SAR (measured) = 11.5 W/kg



0 dB = 11.5 W/kg = 10.61 dBW/kg

Unless otherwise stated the results shown in this test report refer only to the sample(s) tested and such sample(s) are retained for 90 days only.

除非另有說明，此報告結果僅對測試之樣品負責，同時此樣品僅保留90天。本報告未經本公司書面許可，不可部份複製。

This document is issued by the Company subject to its General Conditions of Service printed overleaf, available on request or accessible at <http://www.sgs.com.tw/Terms-and-Conditions> and for electronic format documents, subject to Terms and Conditions for Electronic Documents at <http://www.sgs.com.tw/Terms-and-Conditions>. Attention is drawn to the limitation of liability, indemnification and jurisdiction issues defined therein. Any holder of this document is advised that information contained hereon reflects the Company's findings at the time of its intervention only and within the limits of Client's instructions, if any. The Company's sole responsibility is to its Client and this document does not exonerate parties to a transaction from exercising all their rights and obligations under the transaction documents. This document cannot be reproduced except in full, without prior written approval of the Company. Any unauthorized alteration, forgery or falsification of the content or appearance of this document is unlawful and offenders may be prosecuted to the fullest extent of the law.

SGS Taiwan Ltd.

No.134,Wu Kung Road, New Taipei Industrial Park, Wuku District, New Taipei City, Taiwan/新北市五股區新北產業園區五工路 134 號

台灣檢驗科技股份有限公司

t (886-2) 2299-3279

f (886-2) 2298-0488

www.sgs.com.tw

Member of SGS Group

Date: 2023/4/18

Report No. :TESA2303000153EN

Dipole 2450 MHz_SN:727

Communication System: CW; Frequency: 2450 MHz; Duty cycle= 1:1

Medium parameters used: $f = 2450$ MHz; $\sigma = 1.783$ S/m; $\epsilon_r = 38.511$; $\rho = 1000$ kg/m³

Phantom section: Flat Section

Ambient temperature: 22.4°C; Liquid temperature: 22.1°C

DASY5 Configuration:

- Probe: EX3DV4 - SN7642; ConvF(7.89, 7.8, 7.84) @ 2450 MHz; Calibrated: 2023/2/20
- Sensor-Surface: 2mm (Mechanical Surface Detection)
- Electronics: DAE4 Sn1260; Calibrated: 2022/9/22
- Phantom: SAM
- DASY52 52.10.4(1527); SEMCAD X 14.6.14(7483)

Area Scan (51x51x1): Interpolated grid: dx=12 mm, dy=12 mm

Maximum value of SAR (interpolated) = 20.4 W/kg

Zoom Scan (7x7x7)/Cube 0: Measurement grid: dx=5mm, dy=5mm, dz=5mm

Reference Value = 107.6 V/m; Power Drift = 0.01 dB

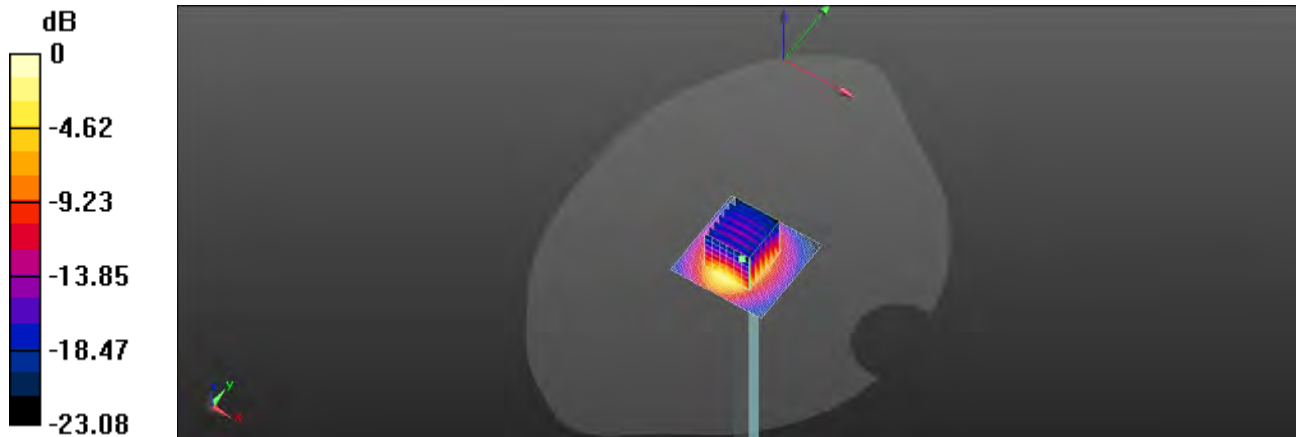
Peak SAR (extrapolated) = 26.6 W/kg

SAR(1 g) = 13 W/kg; SAR(10 g) = 6.2 W/kg

Smallest distance from peaks to all points 3 dB below = 10 mm

Ratio of SAR at M2 to SAR at M1 = 47.7%

Maximum value of SAR (measured) = 19.3 W/kg



0 dB = 20.4 W/kg = 13.09 dBW/kg

Unless otherwise stated the results shown in this test report refer only to the sample(s) tested and such sample(s) are retained for 90 days only.

除非另有說明，此報告結果僅對測試之樣品負責，同時此樣品僅保留90天。本報告未經本公司書面許可，不可部份複製。

This document is issued by the Company subject to its General Conditions of Service printed overleaf, available on request or accessible at <http://www.sgs.com.tw/Terms-and-Conditions> and for electronic format documents, subject to Terms and Conditions for Electronic Documents at <http://www.sgs.com.tw/Terms-and-Conditions>. Attention is drawn to the limitation of liability, indemnification and jurisdiction issues defined therein. Any holder of this document is advised that information contained hereon reflects the Company's findings at the time of its intervention only and within the limits of Client's instructions, if any. The Company's sole responsibility is to its Client and this document does not exonerate parties to a transaction from exercising all their rights and obligations under the transaction documents. This document cannot be reproduced except in full, without prior written approval of the Company. Any unauthorized alteration, forgery or falsification of the content or appearance of this document is unlawful and offenders may be prosecuted to the fullest extent of the law.

SGS Taiwan Ltd.

No.134,Wu Kung Road, New Taipei Industrial Park, Wuku District, New Taipei City, Taiwan/新北市五股區新北產業園區五工路 134 號

台灣檢驗科技股份有限公司

t (886-2) 2299-3279

f (886-2) 2298-0488

www.sgs.com.tw

Member of SGS Group

Date: 2023/4/18

Report No. :TESA2303000156EN

Dipole 2450 MHz_SN:727

Communication System: CW; Frequency: 2450 MHz; Duty cycle= 1:1

Medium parameters used: $f = 2450 \text{ MHz}$; $\sigma = 1.783 \text{ S/m}$; $\epsilon_r = 38.511$; $\rho = 1000 \text{ kg/m}^3$

Phantom section: Flat Section

Ambient temperature: 22.4°C; Liquid temperature: 22.1°C

DASY5 Configuration:

- Probe: EX3DV4 - SN7642; ConvF(7.89, 7.8, 7.84) @ 2450 MHz; Calibrated: 2023/2/20
- Sensor-Surface: 2mm (Mechanical Surface Detection)
- Electronics: DAE4 Sn1260; Calibrated: 2022/9/22
- Phantom: SAM
- DASY52 52.10.4(1527); SEMCAD X 14.6.14(7483)

Area Scan (51x51x1): Interpolated grid: dx=12 mm, dy=12 mm

Maximum value of SAR (interpolated) = 20.4 W/kg

Zoom Scan (7x7x7)/Cube 0: Measurement grid: dx=5mm, dy=5mm, dz=5mm

Reference Value = 107.6 V/m; Power Drift = 0.01 dB

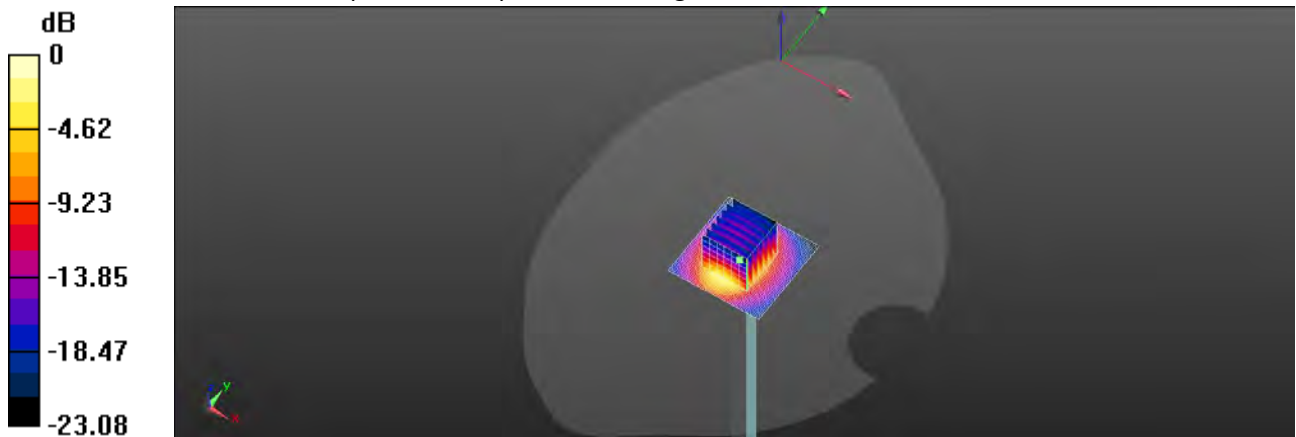
Peak SAR (extrapolated) = 26.6 W/kg

SAR(1 g) = 13 W/kg; SAR(10 g) = 6.2 W/kg

Smallest distance from peaks to all points 3 dB below = 10 mm

Ratio of SAR at M2 to SAR at M1 = 47.7%

Maximum value of SAR (measured) = 19.3 W/kg



0 dB = 20.4 W/kg = 13.09 dBW/kg

Unless otherwise stated the results shown in this test report refer only to the sample(s) tested and such sample(s) are retained for 90 days only.

除非另有說明，此報告結果僅對測試之樣品負責，同時此樣品僅保留90天。本報告未經本公司書面許可，不可部份複製。

This document is issued by the Company subject to its General Conditions of Service printed overleaf, available on request or accessible at <http://www.sgs.com.tw/Terms-and-Conditions> and for electronic format documents, subject to Terms and Conditions for Electronic Documents at <http://www.sgs.com.tw/Terms-and-Conditions>. Attention is drawn to the limitation of liability, indemnification and jurisdiction issues defined therein. Any holder of this document is advised that information contained hereon reflects the Company's findings at the time of its intervention only and within the limits of Client's instructions, if any. The Company's sole responsibility is to its Client and this document does not exonerate parties to a transaction from exercising all their rights and obligations under the transaction documents. This document cannot be reproduced except in full, without prior written approval of the Company. Any unauthorized alteration, forgery or falsification of the content or appearance of this document is unlawful and offenders may be prosecuted to the fullest extent of the law.

Report No. :TESA2303000156EN

Dipole 5250 MHz_SN:1023

Communication System: CW; Frequency: 5250 MHz; Duty cycle= 1:1

Medium parameters used: $f = 5250 \text{ MHz}$; $\sigma = 4.667 \text{ S/m}$; $\epsilon_r = 36.131$; $\rho = 1000 \text{ kg/m}^3$

Phantom section: Flat Section

Ambient temperature: 22.1°C; Liquid temperature: 21.9°C

DASY5 Configuration:

- Probe: EX3DV4 - SN7642; ConvF(5.84, 5.72, 5.77) @ 5250 MHz; Calibrated: 2023/2/20
- Sensor-Surface: 2mm (Mechanical Surface Detection)
- Electronics: DAE4 Sn1260; Calibrated: 2022/9/22
- Phantom: SAM
- DASY52 52.10.4(1527); SEMCAD X 14.6.14(7483)

Area Scan (61x61x1): Interpolated grid: dx=10 mm, dy=10 mm

Maximum value of SAR (interpolated) = 16.3 W/kg

Zoom Scan (7x7x12)/Cube 0: Measurement grid: dx=4mm, dy=4mm, dz=2mm

Reference Value = 61.57 V/m; Power Drift = -0.01 dB

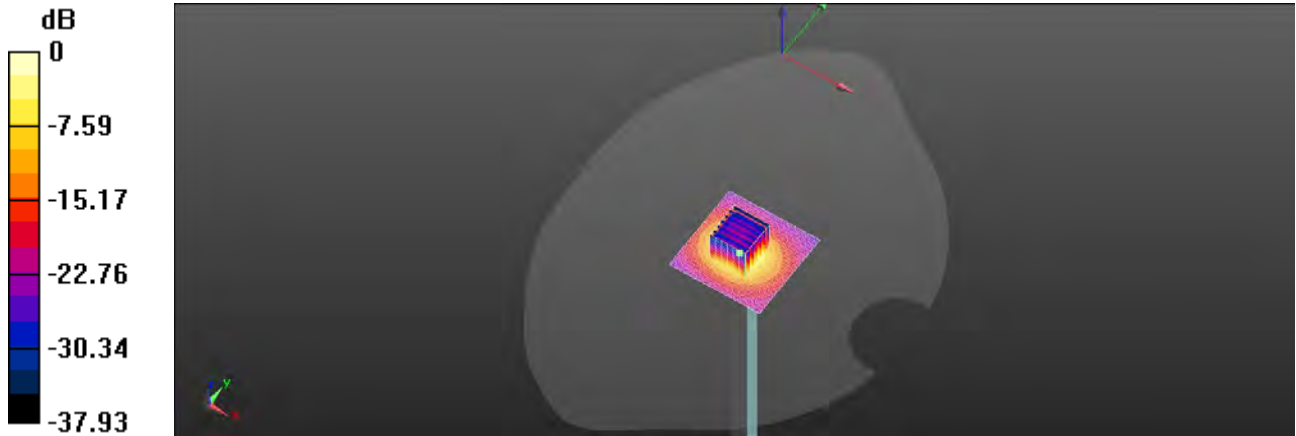
Peak SAR (extrapolated) = 30.9 W/kg

SAR(1 g) = 8.09 W/kg; SAR(10 g) = 2.35 W/kg

Smallest distance from peaks to all points 3 dB below = 7.4 mm

Ratio of SAR at M2 to SAR at M1 = 56.5%

Maximum value of SAR (measured) = 16.9 W/kg



0 dB = 16.9 W/kg = 12.28 dBW/kg

Unless otherwise stated the results shown in this test report refer only to the sample(s) tested and such sample(s) are retained for 90 days only.
 除非另有說明，此報告結果僅對測試之樣品負責，同時此樣品僅保留90天。本報告未經本公司書面許可，不可部份複製。

This document is issued by the Company subject to its General Conditions of Service printed overleaf, available on request or accessible at <http://www.sgs.com.tw/Terms-and-Conditions> and for electronic format documents, subject to Terms and Conditions for Electronic Documents at <http://www.sgs.com.tw/Terms-and-Conditions>. Attention is drawn to the limitation of liability, indemnification and jurisdiction issues defined therein. Any holder of this document is advised that information contained hereon reflects the Company's findings at the time of its intervention only and within the limits of Client's instructions, if any. The Company's sole responsibility is to its Client and this document does not exonerate parties to a transaction from exercising all their rights and obligations under the transaction documents. This document cannot be reproduced except in full, without prior written approval of the Company. Any unauthorized alteration, forgery or falsification of the content or appearance of this document is unlawful and offenders may be prosecuted to the fullest extent of the law.

Date: 2023/4/19

Report No. :TESA2303000156EN

Dipole 5750 MHz_SN:1023

Communication System: CW; Frequency: 5750 MHz; Duty cycle= 1:1

Medium parameters used: $f = 5750 \text{ MHz}$; $\sigma = 5.32 \text{ S/m}$; $\epsilon_r = 35.136$; $\rho = 1000 \text{ kg/m}^3$

Phantom section: Flat Section

Ambient temperature: 22.3°C; Liquid temperature: 22.1°C

DASY5 Configuration:

- Probe: EX3DV4 - SN7642; ConvF(5.44, 5.18, 4.93) @ 5750 MHz; Calibrated: 2023/2/20
- Sensor-Surface: 2mm (Mechanical Surface Detection)
- Electronics: DAE4 Sn1260; Calibrated: 2022/9/22
- Phantom: SAM
- DASY52 52.10.4(1527); SEMCAD X 14.6.14(7483)

Area Scan (61x61x1): Interpolated grid: dx=10 mm, dy=10 mm

Maximum value of SAR (interpolated) = 18.0 W/kg

Zoom Scan (7x7x12)/Cube 0: Measurement grid: dx=4mm, dy=4mm, dz=2mm

Reference Value = 54.34 V/m; Power Drift = -0.03 dB

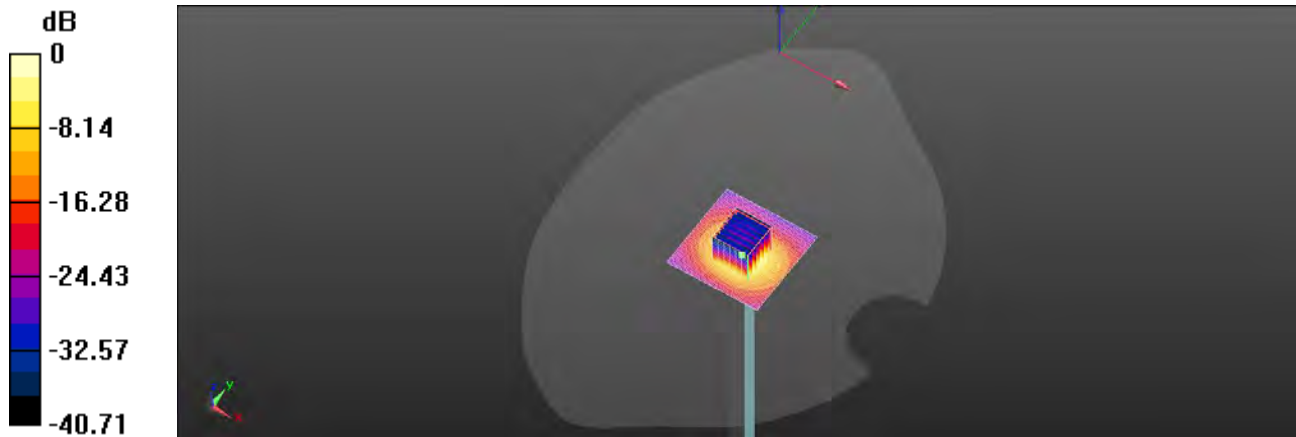
Peak SAR (extrapolated) = 41.4 W/kg

SAR(1 g) = 8.26 W/kg; SAR(10 g) = 2.23 W/kg

Smallest distance from peaks to all points 3 dB below = 7.5 mm

Ratio of SAR at M2 to SAR at M1 = 49.4%

Maximum value of SAR (measured) = 18.6 W/kg



0 dB = 18.6 W/kg = 12.70 dBW/kg

Unless otherwise stated the results shown in this test report refer only to the sample(s) tested and such sample(s) are retained for 90 days only.

除非另有說明，此報告結果僅對測試之樣品負責，同時此樣品僅保留90天。本報告未經本公司書面許可，不可部份複製。

This document is issued by the Company subject to its General Conditions of Service printed overleaf, available on request or accessible at <http://www.sgs.com.tw/Terms-and-Conditions> and for electronic format documents, subject to Terms and Conditions for Electronic Documents at <http://www.sgs.com.tw/Terms-and-Conditions>. Attention is drawn to the limitation of liability, indemnification and jurisdiction issues defined therein. Any holder of this document is advised that information contained hereon reflects the Company's findings at the time of its intervention only and within the limits of Client's instructions, if any. The Company's sole responsibility is to its Client and this document does not exonerate parties to a transaction from exercising all their rights and obligations under the transaction documents. This document cannot be reproduced except in full, without prior written approval of the Company. Any unauthorized alteration, forgery or falsification of the content or appearance of this document is unlawful and offenders may be prosecuted to the fullest extent of the law.

SGS Taiwan Ltd.

No.134,Wu Kung Road, New Taipei Industrial Park, Wuku District, New Taipei City, Taiwan/新北市五股區新北產業園區五工路 134 號

台灣檢驗科技股份有限公司

t (886-2) 2299-3279

f (886-2) 2298-0488

www.sgs.com.tw

Member of SGS Group

Refer to separated files for the following appendixes.

- 13.1 SAR_Appendix A Photographs**
- 13.2 SAR_Appendix B DAE & Probe Cal. Certificate**
- 13.3 SAR_Appendix C Phantom Description & Dipole Cal. Certificate**

- End of report -

Unless otherwise stated the results shown in this test report refer only to the sample(s) tested and such sample(s) are retained for 90 days only.

除非另有說明，此報告結果僅對測試之樣品負責，同時此樣品僅保留90天。本報告未經本公司書面許可，不可部份複製。

This document is issued by the Company subject to its General Conditions of Service printed overleaf, available on request or accessible at <http://www.sgs.com.tw/Terms-and-Conditions> and for electronic format documents, subject to Terms and Conditions for Electronic Documents at <http://www.sgs.com.tw/Terms-and-Conditions>. Attention is drawn to the limitation of liability, indemnification and jurisdiction issues defined therein. Any holder of this document is advised that information contained hereon reflects the Company's findings at the time of its intervention only and within the limits of Client's instructions, if any. The Company's sole responsibility is to its Client and this document does not exonerate parties to a transaction from exercising all their rights and obligations under the transaction documents. This document cannot be reproduced except in full, without prior written approval of the Company. Any unauthorized alteration, forgery or falsification of the content or appearance of this document is unlawful and offenders may be prosecuted to the fullest extent of the law.