



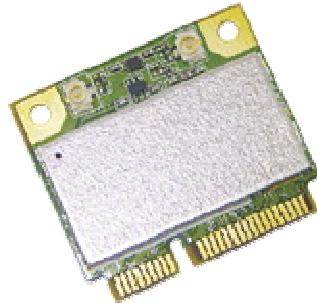
WPER-101GN(BT)

Feature

- Chipset: Ralink RT3090BC4
- Interface: Half Mini Card (PCIe: WLAN; USB: Bluetooth)
- Wireless connection up to 150Mbps
- Antenna: 2 x U.FL connectors, 1T1R
- Concurrent Wi-Fi (802.11n) and BT (3.0 HS) antenna diversity
- Enhanced wireless security: 64/128-bits WEP, WPA, WPA2
- Driver Support:
Wi-Fi: Windows XP/Vista/Win 7, Linux
Bluetooth: Windows XP/Vista/Win 7

Application

- Industrial PC
- Networking Equipment
- Automation
- Medical Device
- POS (Point-of-Sale) System
- Gaming Machine



Wireless-GN Bluetooth Half Mini Card

Highest Performance with Ralink RT3090BC4 Solution, up to 150Mbps

Superior Performance with Longer Range and Faster Speed

SparkLAN Wireless Half Mini Card, WPER-101GN(BT), is compliant with 802.11b/g/n standard that can support up to 150Mbps data rates. Comparing to 802.11g technology, 802.11n standard makes big improvement on speed and range.

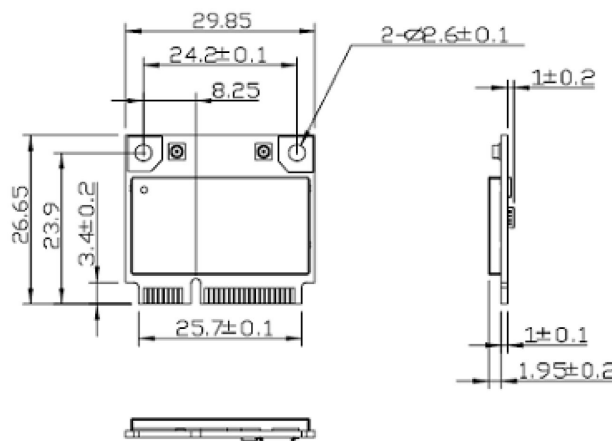
Bluetooth Transmission

WPER-101GN(BT), embedded with Ralink RT3090BC4 chipset, also integrates the Bluetooth transmission technology for voice and data transfers between devices in a short distance. WPER-101GN(BT) is designed properly for any wireless enabled devices with Half Mini Card slot.

Secure Wireless Connection

This Half Mini Card WPER-101GN(BT) with advanced security encryption, such as 64/128-bits WEP, WPA, and WPA2, helps prevent from malicious attacks.

Mechanical Dimension

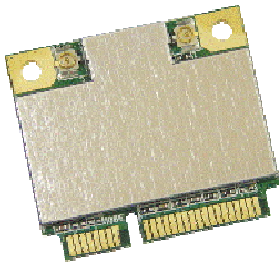




WPER-101GN(BT)

Related Product

- WPER-150GN
Wireless-GN USB Half Mini Card



Ordering Info

- WPER-101GN(BT)
Wireless-GN Bluetooth Half
Mini Card

Specifications

Standard

802.11b/g/n, Bluetooth 3.0 HS standard

Chipset

Mac/BB /RF Ralink RT3090BC4

Host Interface

Half Mini Card (PCIe: WLAN; USB: Bluetooth)

Radio

Antenna	2 x U.FL connectors (1T/1R) Support WLAN / BT diversity
Operating Frequency	Wi-Fi: b/g/n ISM Band: 2.412GHz ~ 2.4835GHz Bluetooth: 2402MHz ~ 2483MHz
Modulation	Wi-Fi: 802.11b: DSSS (DBPSK, DQPSK, CCK) 802.11g: OFDM (BPSK, QPSK, 16-QAM, 64-QAM) 802.11n: OFDM (BPSK, QPSK, 16-QAM, 64-QAM) Bluetooth: Header: GFSK Payload 2M: 4-DQPSK Payload 3M: 8-DPSK
Output Power	Wi-Fi: 802.11b: 17dBm ± 1.5dBm 802.11g: 14dBm ± 1.5dBm 802.11gn HT20: 14dBm ± 1.5dBm@MCS7 802.11gn HT40: 14dBm ± 1.5dBm@MCS7 Bluetooth: -6 ≤ Output PowerAvg ≤ +4dBm (Conductive)
Receive Sensitivity	Wi-Fi: 802.11b: -80dBm ± 1.5dBm@11Mbps 802.11g: -70dBm ± 1.5dBm@54Mbps 802.11gn HT20: -64dBm ± 1.5dBm@MCS7 802.11gn HT40: -61dBm ± 1.5dBm@MCS7 Bluetooth: BER < 0.1% (Anritsu 8852B, test equipment for BT) Tx: -70 dBm)

Power consumption

Continue TX	Wi-Fi: Max 297.6 mA Bluetooth: Max 114.9 mA
Continue RX	WiFi: Max 251.8 mA Bluetooth: Max 102.4 mA

Operating Voltage

DC 3.3V ± 5%

Environmental

Temperature Range	0 ~ 80°C (Operating) -40 ~ 85°C (Storing)
Humidity (Non-Condensing)	10 ~ 85% (Operating) 5 ~ 95% (Storing)

Physical Specification

Dimensions	29.85 x 26.65 x 3.95mm (± 0.15mm)
Weight	7g

Software

Driver	Wi-Fi: Windows XP/Vista/Win 7, Linux Bluetooth: Windows XP/Vista/Win 7
Security	64/128-bits WEP, WPA, WPA2