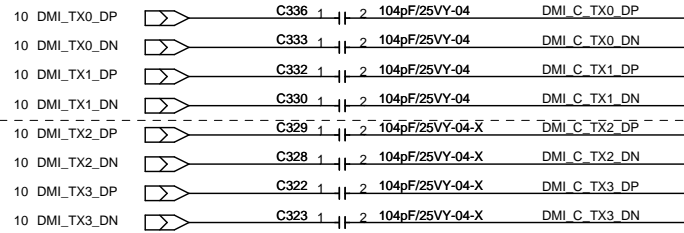
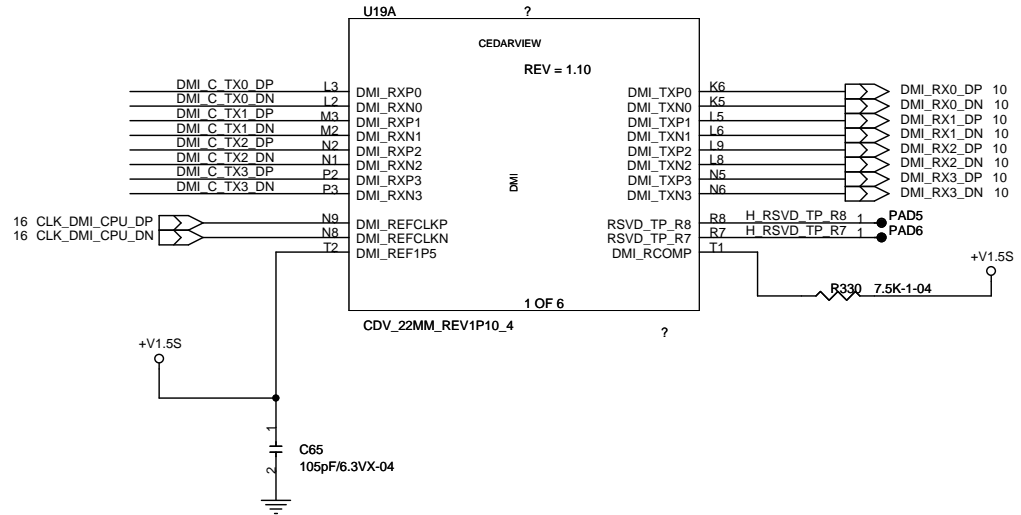


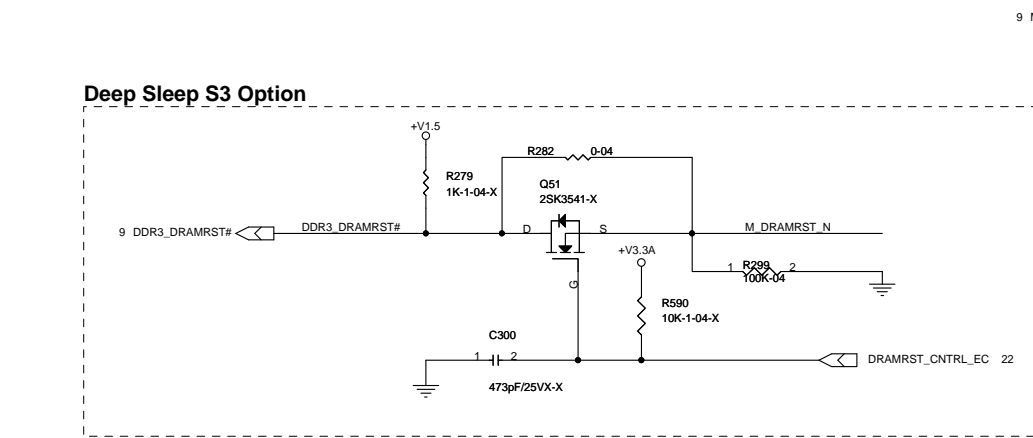
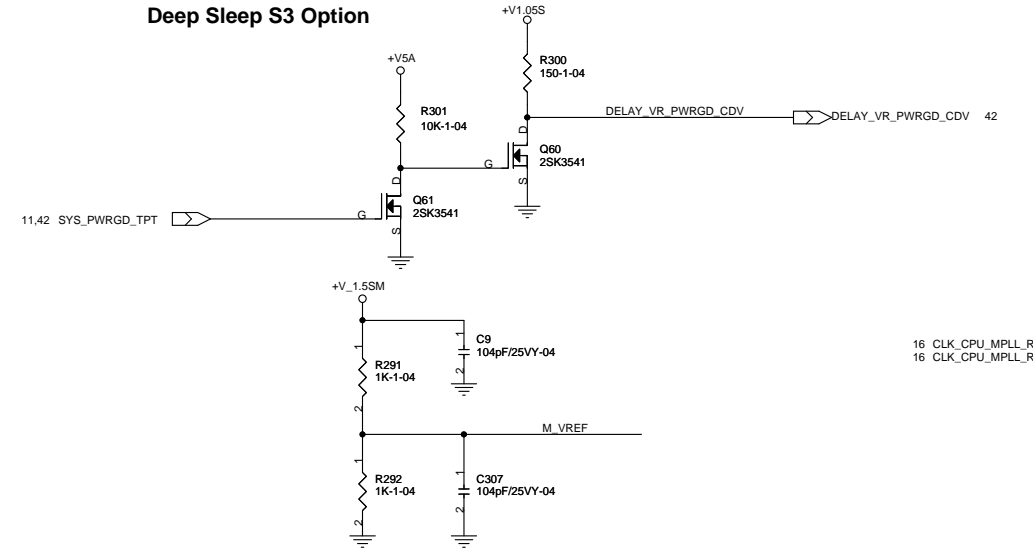
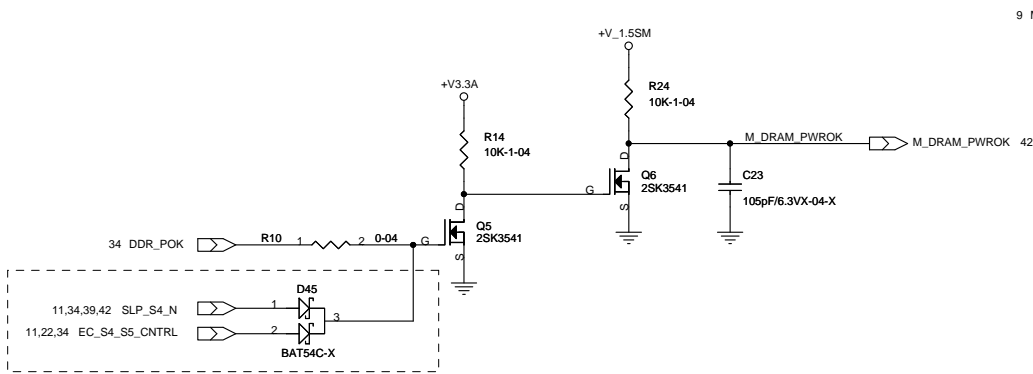
# CEDARVIEW PROCESSOR (DMI)



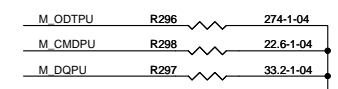
**Cedarview M:** remove these capacitors to support DMI x2.  
**Cedarview D:** Solder these capacitors to support DMI x4.



# CEDARVIEW PROCESSOR (DDR3)



U19B CEDARVIEW		REV = 1.10	
9 M_MA[15:0]	M MA0 AK14 M MA1 AK16 M MA2 AJ14 M MA3 AJ16 M MA4 AJ18 M MA5 AH18 M MA6 AJ18 M MA7 AK20 M MA8 AK20 M MA9 AH20 M MA10 AJ12 M MA11 AK21 M MA12 AJ21 M MA13 AJ8 M MA14 AH22 M MA15 AJ22	DDR3_MA0 DDR3_MA1 DDR3_MA2 DDR3_MA3 DDR3_MA4 DDR3_MA5 DDR3_MA6 DDR3_MA7 DDR3_MA8 DDR3_MA9 DDR3_MA10 DDR3_MA11 DDR3_MA12 DDR3_MA13 DDR3_MA14 DDR3_MA15	DDR3_DQ0 Y30 M DQ0 DDR3_DQ1 Y29 M DQ1 DDR3_DQ2 AC30 M DQ2 DDR3_DQ3 W31 M DQ4 DDR3_DQ4 W31 M DQ4 DDR3_DQ5 W28 M DQ5 DDR3_DQ6 AB28 M DQ6 DDR3_DQ7 AB30 M DQ6 DDR3_DQ8 AA24 M DQ7 DDR3_DQ9 AA22 M DQ9 DDR3_DQ10 AE27 M DQ10 DDR3_DQ11 AE26 M DQ11 DDR3_DQ12 AB27 M DQ12 DDR3_DQ13 AA25 M DQ13 DDR3_DQ14 AD25 M DQ14 DDR3_DQ15 AD27 M DQ15 DDR3_DQ16 AD29 M DQ16 DDR3_DQ17 AE29 M DQ17 DDR3_DQ18 AK29 M DQ19 DDR3_DQ19 AK29 M DQ19 DDR3_DQ20 AD28 M DQ20 DDR3_DQ21 AD30 M DQ21 DDR3_DQ22 AJ29 M DQ23 DDR3_DQ23 AJ29 M DQ23 DDR3_DQ24 AE24 M DQ24 DDR3_DQ25 AG24 M DQ25 DDR3_DQ26 AD22 M DQ26 DDR3_DQ27 AC21 M DQ27 DDR3_DQ28 AG27 M DQ28 DDR3_DQ29 AG25 M DQ29 DDR3_DQ30 AG21 M DQ30 DDR3_DQ31 AE21 M DQ31 DDR3_DQ32 AD13 M DQ32 DDR3_DQ33 AD13 M DQ33 DDR3_DQ34 AG8 M DQ34 DDR3_DQ35 AG7 M DQ35 DDR3_DQ36 AG13 M DQ36 DDR3_DQ37 AD10 M DQ38 DDR3_DQ38 AD10 M DQ38 DDR3_DQ39 AF8 M DQ39 DDR3_DQ40 AH2 M DQ40 DDR3_DQ41 AD2 M DQ42 DDR3_DQ42 AD3 M DQ43 DDR3_DQ43 AH4 M DQ44 DDR3_DQ44 AK3 M DQ45 DDR3_DQ45 AE2 M DQ46 DDR3_DQ46 AD4 M DQ47 DDR3_DQ47 AD7 M DQ48 DDR3_DQ48 AD6 M DQ49 DDR3_DQ49 AA6 M DQ50 DDR3_DQ50 AB5 M DQ51 DDR3_DQ51 AE8 M DQ52 DDR3_DQ52 AE5 M DQ53 DDR3_DQ53 AB9 M DQ54 DDR3_DQ54 AA8 M DQ55 DDR3_DQ55 AB2 M DQ56 DDR3_DQ56 AB4 M DQ57 DDR3_DQ57 W4 M DQ58 DDR3_DQ58 V3 M DQ59 DDR3_DQ59 AC2 M DQ60 DDR3_DQ60 AB3 M DQ61 DDR3_DQ61 Y2 M DQ62 DDR3_DQ62 W1 M DQ63 DDR3_DQ63
9 M_WE_N 9 M_CAS_N 9 M_RAS_N	AH10 AH10 AJ11	DDR3_WE# DDR3_MA9 DDR3_RAS#	2 OF 6
9 M_BS0 9 M_BS1 9 M_BS2	AK12 AH13 AK22	DDR3_BS0 DDR3_BS1 DDR3_BS2	
9 M_CS_N2 9 M_CS_N3	AH12 AH8 AK11 AK9	DDR3_CS#0 DDR3_CS#1 DDR3_CS#2 DDR3_CS#3	
9 M_CKE2 9 M_CKE3	AH23 AJ24 AK24 AH24	DDR3_CKE0 DDR3_CKE1 DDR3_CKE2 DDR3_CKE3	
9 M_ODT2 9 M_ODT3	AK10 AK7 AL9 AJ7	DDR3_ODT0 DDR3_ODT1 DDR3_ODT2 DDR3_ODT3	
9 M_CK_DP2 9 M_CK_DP1 9 M_CK_DP3 9 M_CK_DP3	AG15 AF15 AF17 AG17 AD17 AC17 AC15 AD15	DDR3_CK0 DDR3_CK#0 DDR3_CK1 DDR3_CK2 DDR3_CK#2 DDR3_CK3 DDR3_CK#3	
M_DRAMRST_N	AK25	DDR3_DRAMRST#	
M_VREF	AL28	DDR3_VREF DDR3_VREF_NCTF	
16 CLK_CPU_MPLL_R_DP 16 CLK_CPU_MPLL_R_DN	AC19 AB19	DDR3_REFP DDR3_REFN	
M_DRAM_PWROK DELAY_VR_PWRGD_CDV	AA5 W7	DDR3_DRAM_PWROK DDR3_VCCA_PWROK	
M_ODTPU M_CMDPU M_DQPU	AJ26 AJ25 AK27	DDR3_ODTPU DDR3_CMDPU DDR3_DQPU	
PAD3 PAD4 PAD2 PAD1	AB11 AB13 AF19 AG19	RSVD_TP_AB11 RSVD_TP_AB13 RSVD_TP_AF19 RSVD_TP_AG19	DDR3
9 M_DM[7:0]	M DM0 Y28 M DM1 AB26 M DM2 AE30 M DM3 AB21 M DM4 AG11 M DM5 AG2 M DM6 AB8 M DM7 AA3	DDR3_DM0 DDR3_DM1 DDR3_DM2 DDR3_DM3 DDR3_DM4 DDR3_DM5 DDR3_DM6 DDR3_DM7	
M_DQS#0 M_DQS#1 M_DQS#2 M_DQS#3 M_DQS#4 M_DQS#5 M_DQS#6 M_DQS#7	Y28 AB25 AE29 AE22 AF10 AF3 AB7 AA2	M_DQS_DP0 M_DQS_DP1 M_DQS_DP2 M_DQS_DP3 M_DQS_DP4 M_DQS_DP5 M_DQS_DP6 M_DQS_DP7	
M_DQS#0 M_DQS#1 M_DQS#2 M_DQS#3 M_DQS#4 M_DQS#5 M_DQS#6 M_DQS#7	AA31 AB25 AE29 AE22 AF10 AF3 AB7 AA2	M_DQS_DN0 M_DQS_DN1 M_DQS_DN2 M_DQS_DN3 M_DQS_DN4 M_DQS_DN5 M_DQS_DN6 M_DQS_DN7	



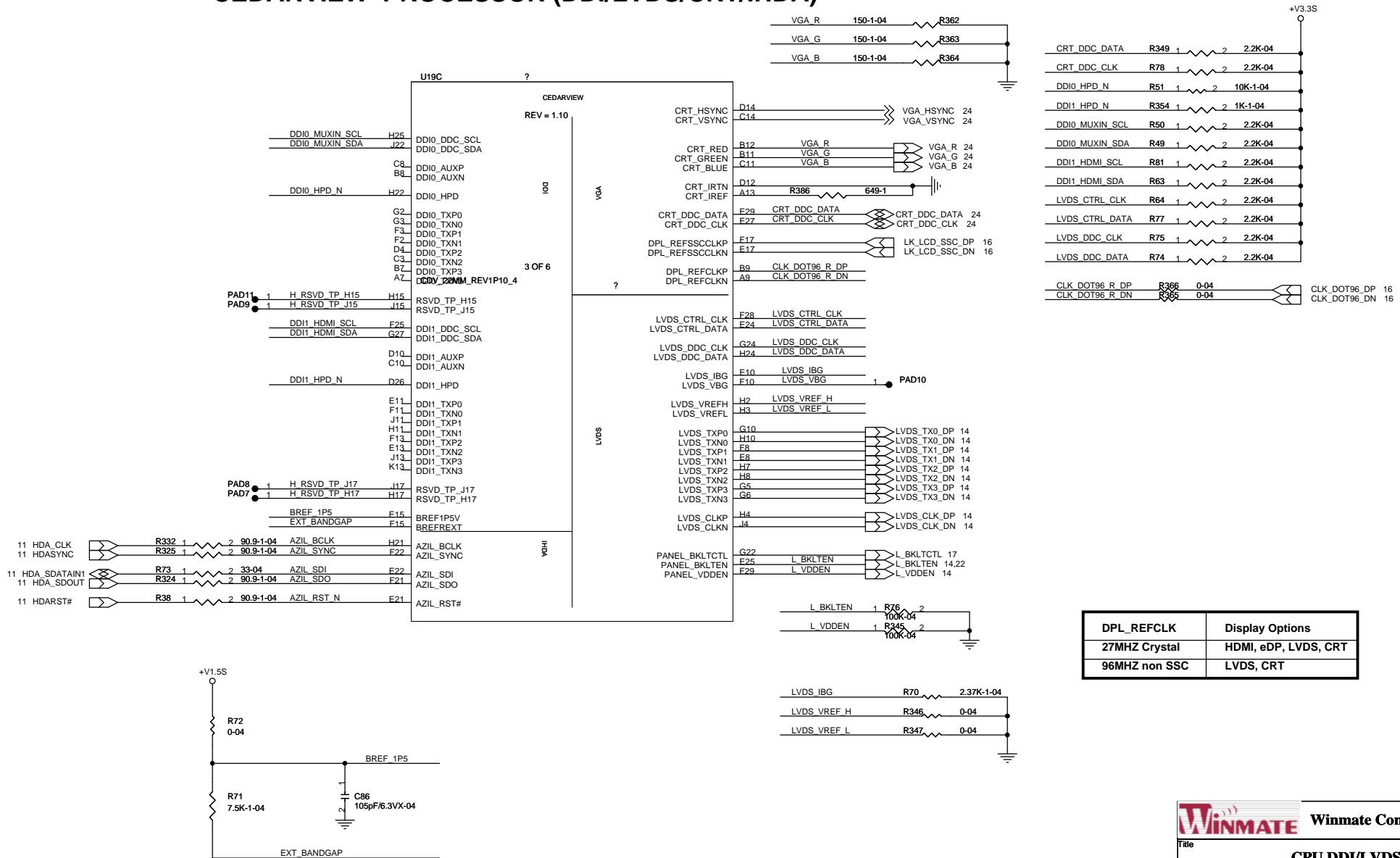
**WINMATE** Winmate Communication INC.

Title: CPU DDR3 MEMORY BUS

Size: Custom Document Number: ID8HH Rev: 100

Date: Friday, January 25, 2013 Sheet 4 of 44

# CEDARVIEW PROCESSOR (DDI/LVDS/CRT/IHDA)



DPL_REFCLK	Display Options
27MHZ Crystal	HDMI, eDP, LVDS, CRT
96MHZ non SSC	LVDS, CRT

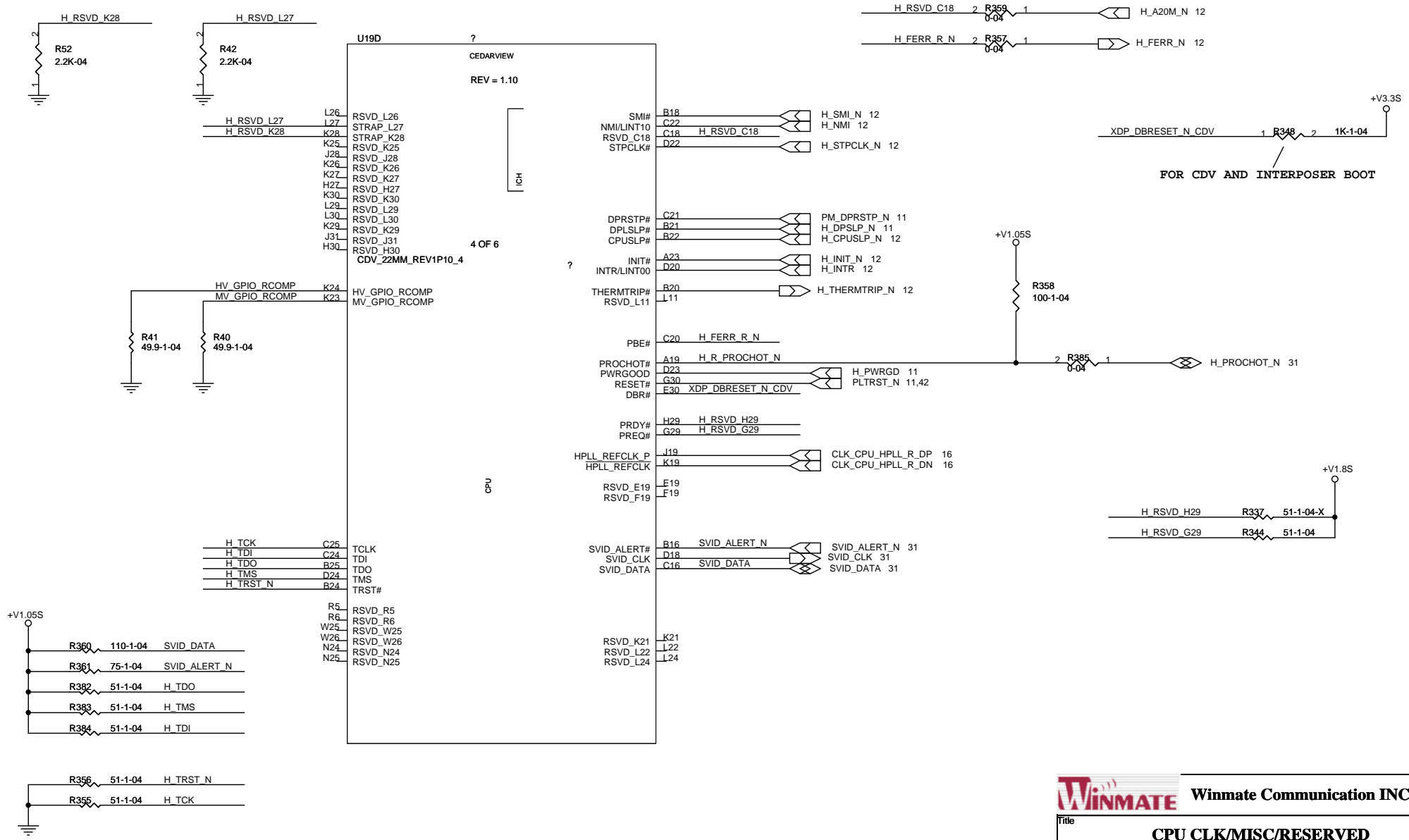
**Winmate** Winmate Communication INC.

Title: CPU DDI/LVDS/CRT/IHDA

Size: Custom Document Number: ID8HH Rev: 100

Date: Friday, January 25, 2013 Sheet: 5 of 44

# CEDARVIEW PROCESSOR (CLK/MISC/RESERVED)

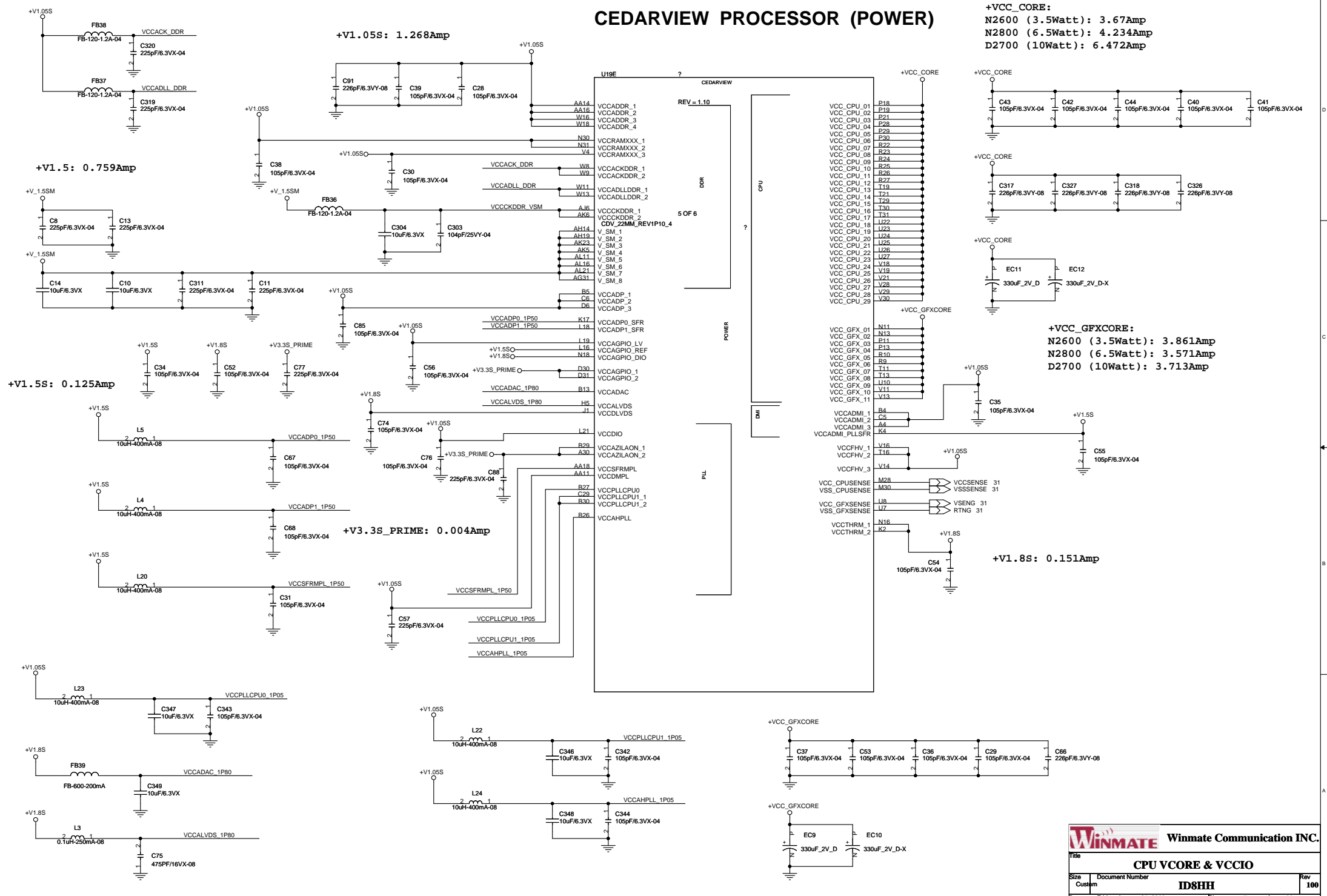


**WINMATE** Winmate Communication INC.

Title		
<b>CPU CLK/MISC/RESERVED</b>		
Size	Document Number	Rev
B	<b>ID8HH</b>	<b>100</b>
Date:	Friday, January 25, 2013	Sheet 6 of 44

# CEDARVIEW PROCESSOR (POWER)

**+VCC\_CORE:**  
 N2600 (3.5Watt): 3.67Amp  
 N2800 (6.5Watt): 4.234Amp  
 D2700 (10Watt): 6.472Amp



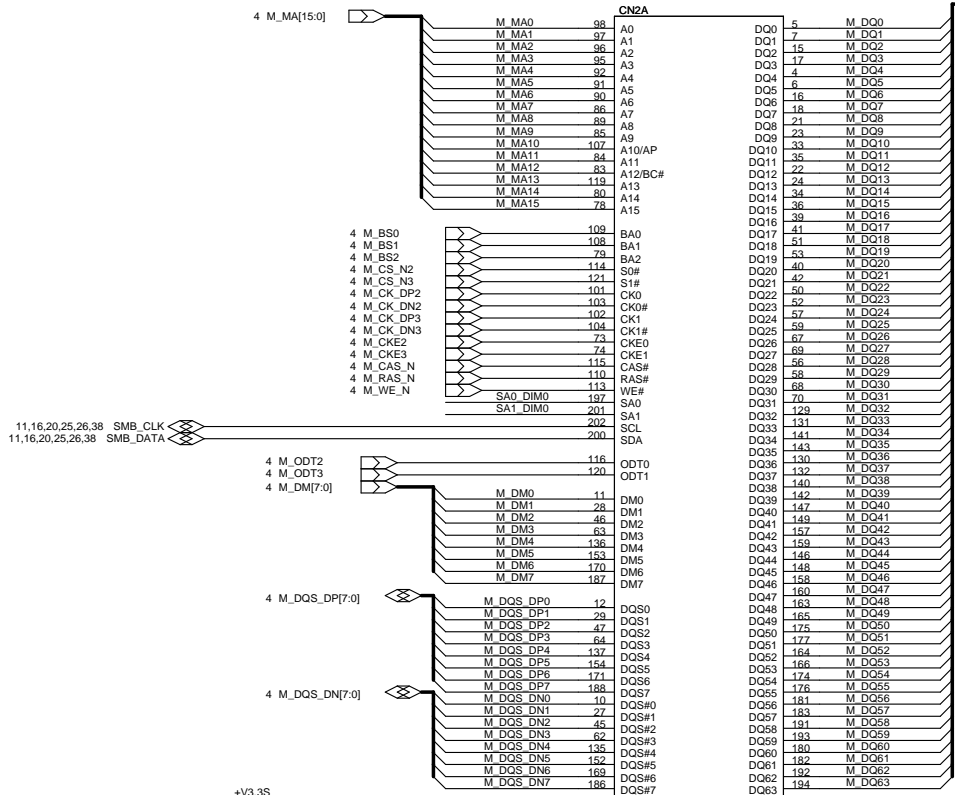
**Winmate Winmate Communication INC.**

Title: **CPU VCORE & VCCIO**

Size: Custom Document Number: **ID8HH** Rev: **100**

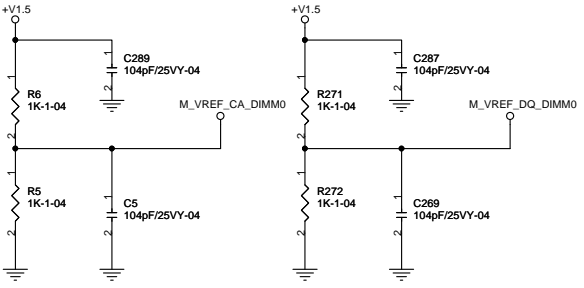
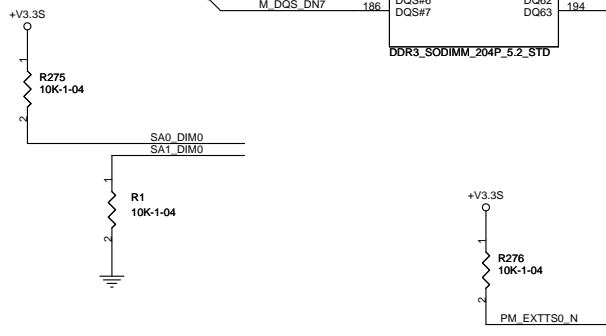
Date: Friday, January 25, 2013 Sheet: 7 of 44



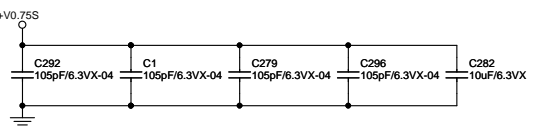
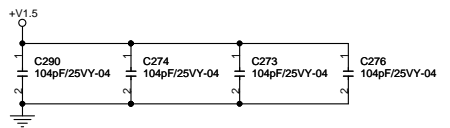
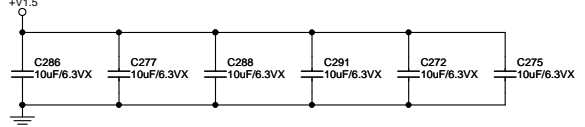
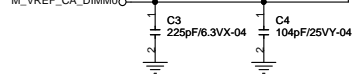
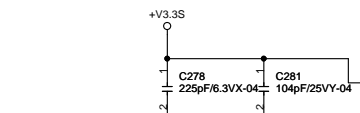
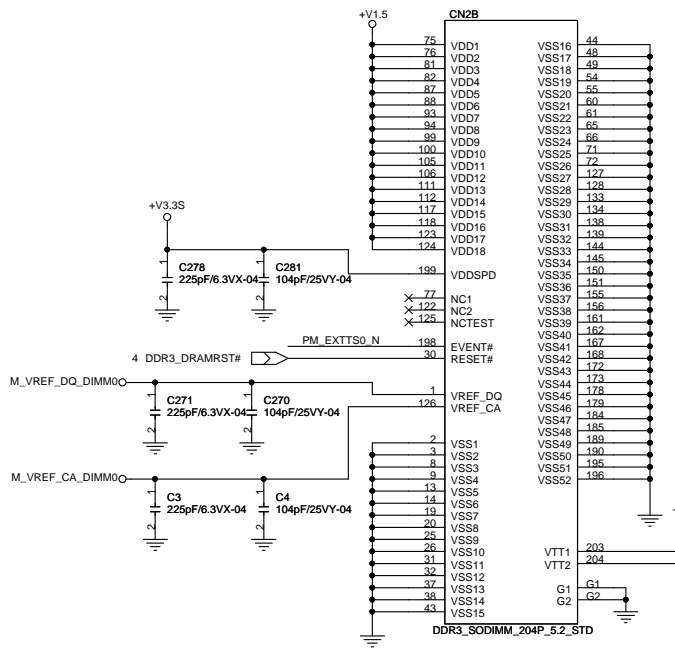


11,16,20,25,26,38 SMB\_CLK  
11,16,20,25,26,38 SMB\_DATA

SA0\_DIM0 = 1, SA1\_DIM0 = 0  
SO-DIMMA SPD Address is 0xA2



M\_DQ[63:0] 4

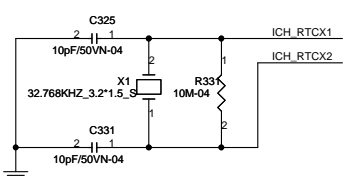


Winmate Communication INC.

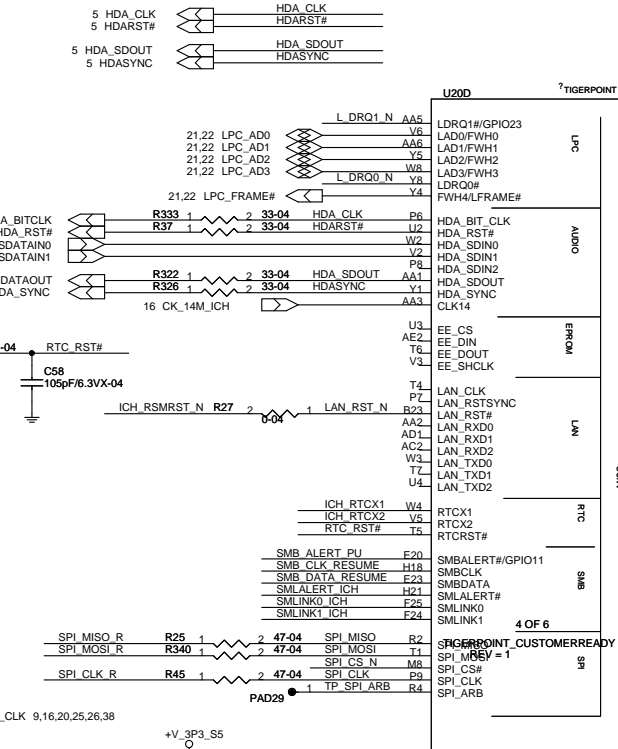
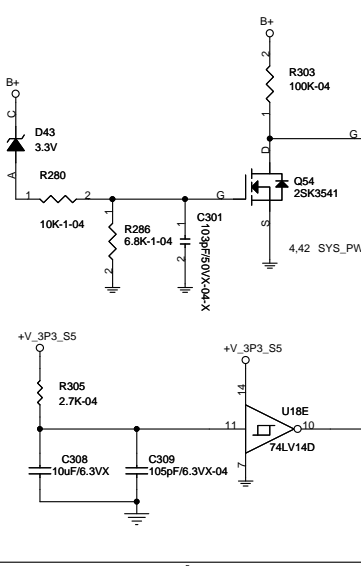
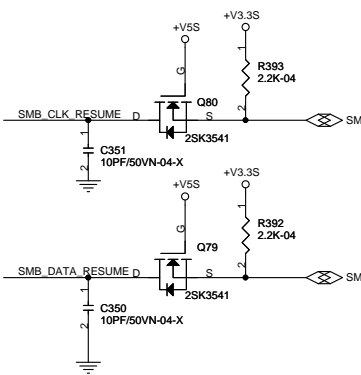
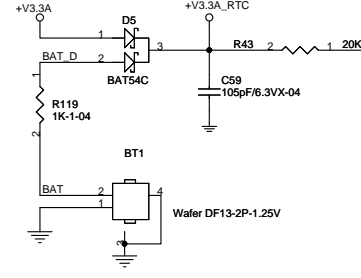
Title		
DDR3 SODIMM		
Size	Document Number	Rev
A	ID8HH	100
Date:	Friday, January 25, 2013	Sheet 9 of 44



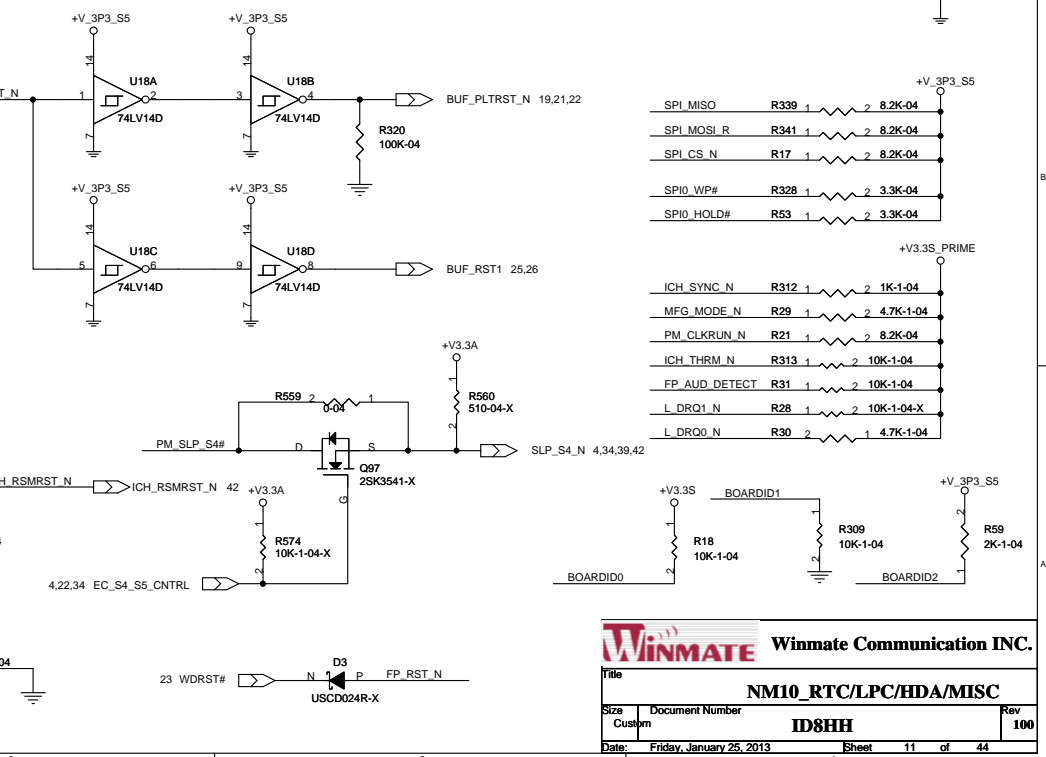
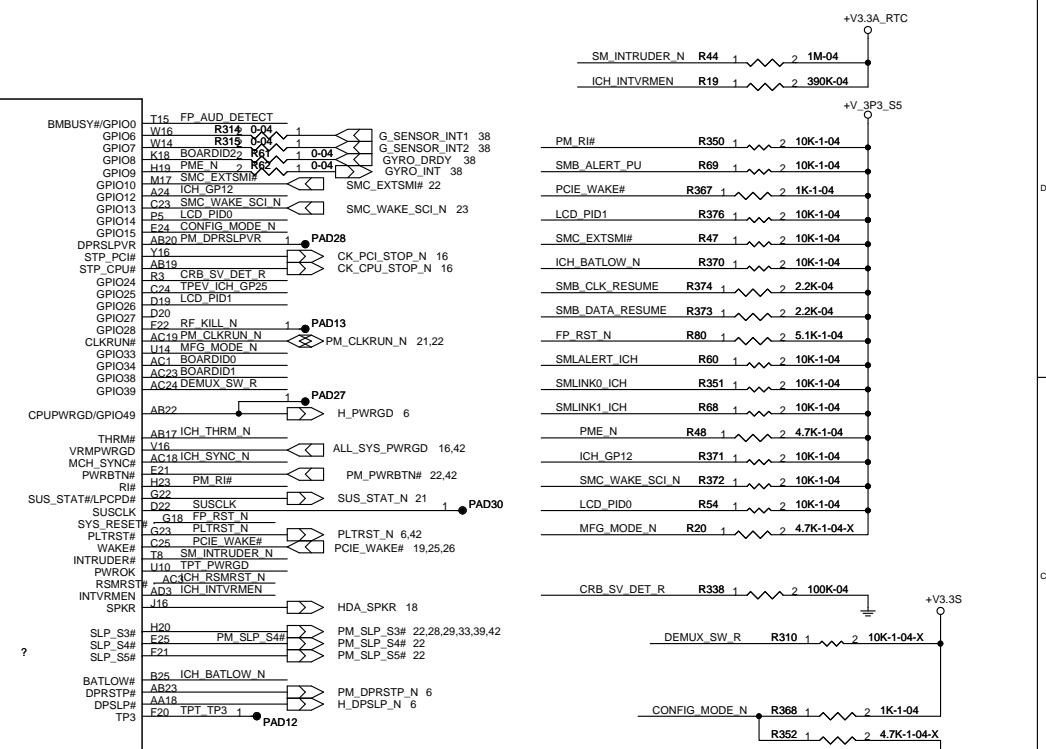
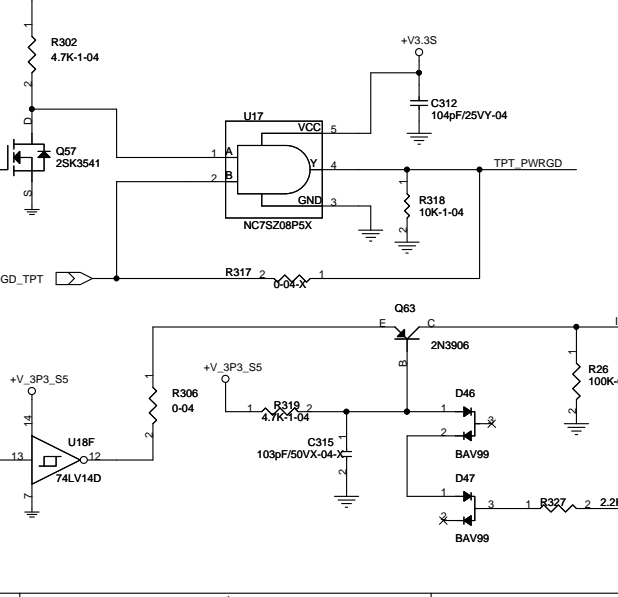


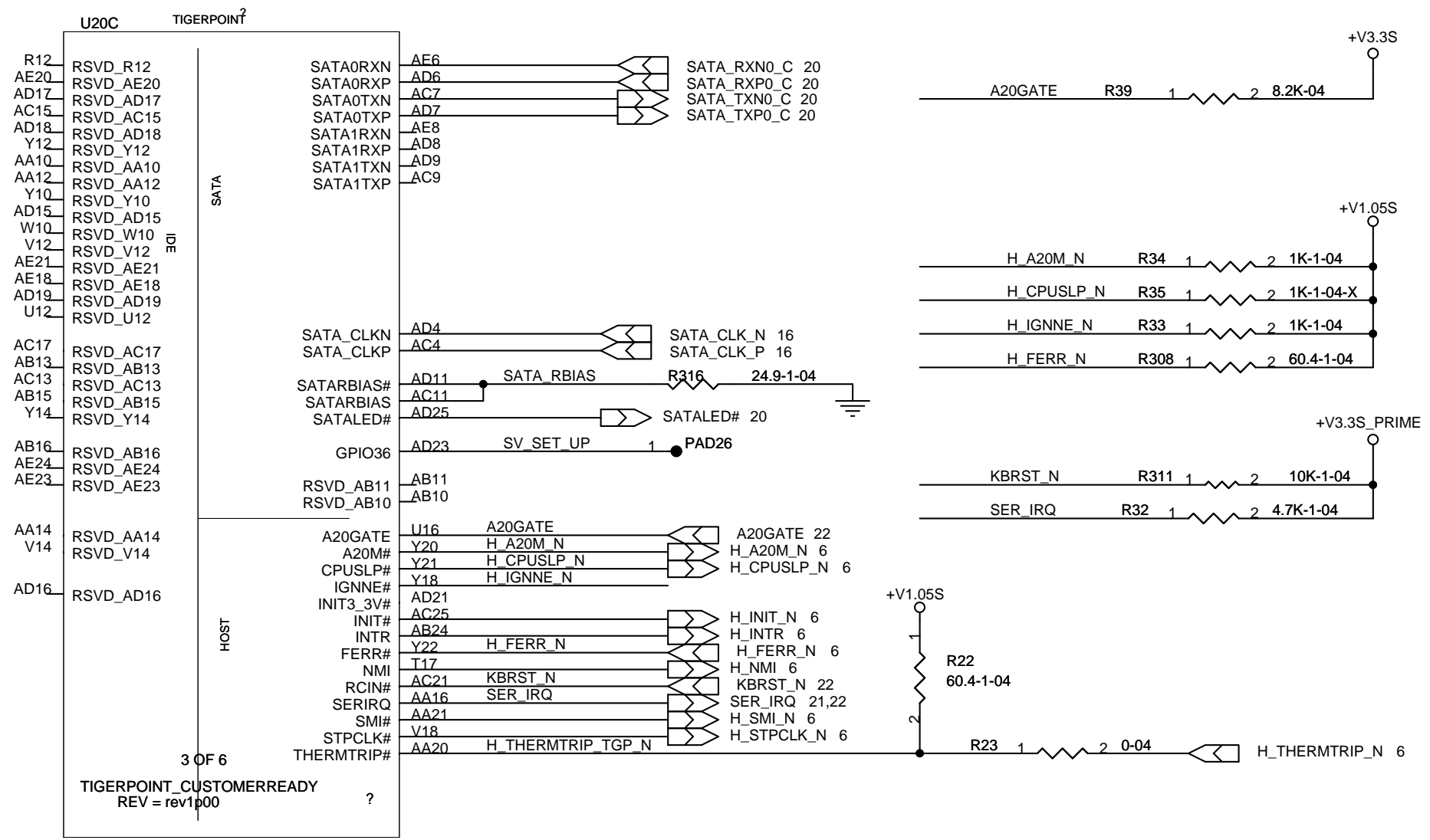


**RTC Circuitry**



**BIOS Flash: PCT25VF016B**





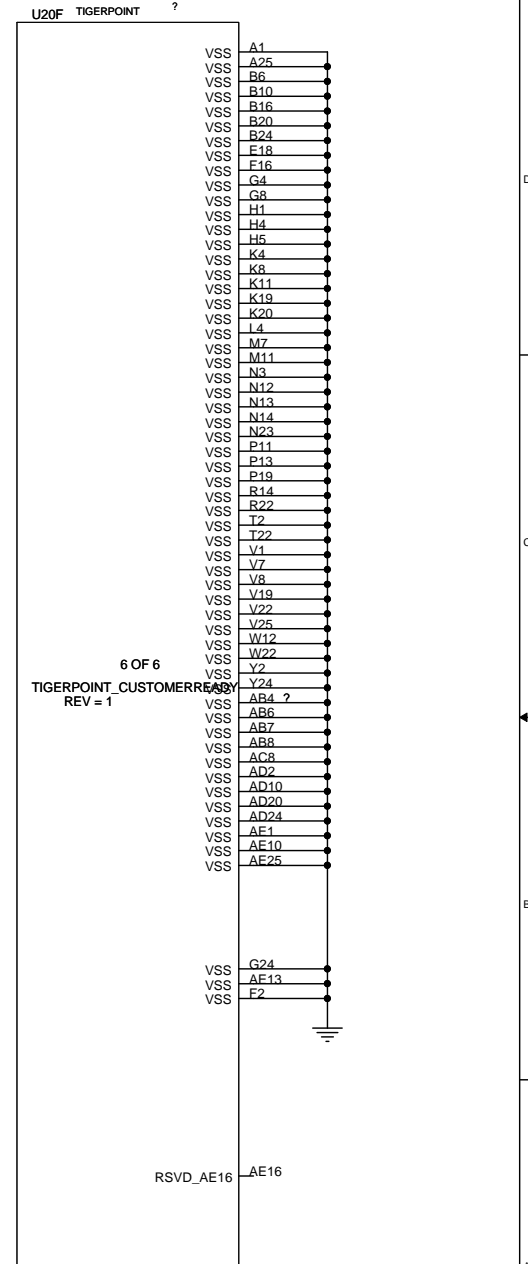
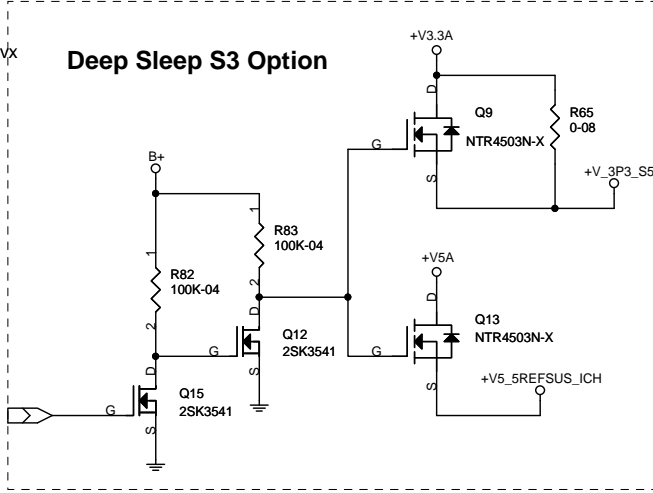
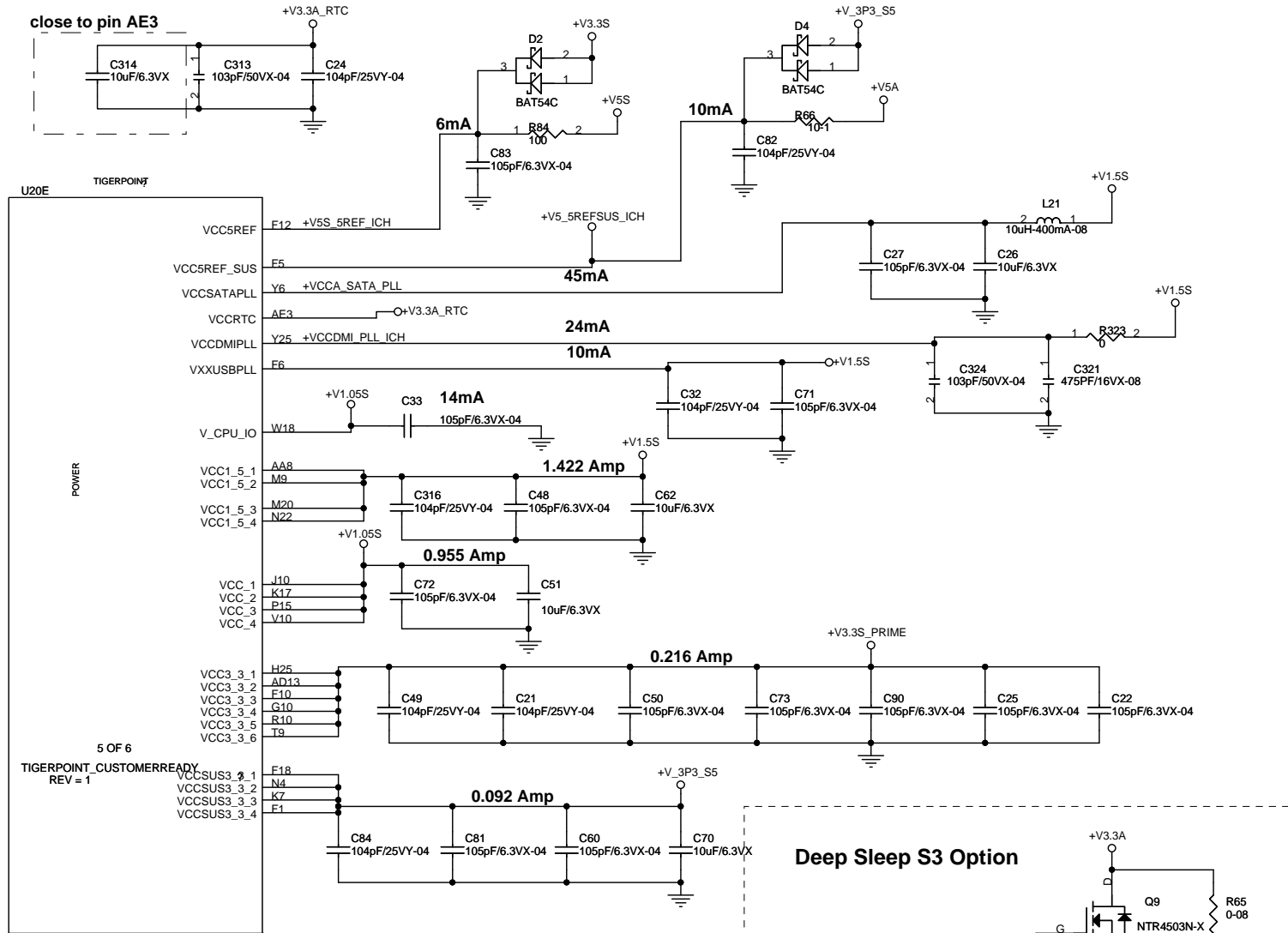
**WinMATE** Winmate Communication INC.

Title: **NM10\_HOST/SATA/RSVD**

Size A	Document Number	Rev
	<b>ID8HH</b>	<b>100</b>

Date: Friday, January 25, 2013 Sheet 12 of 44

close to pin AE3

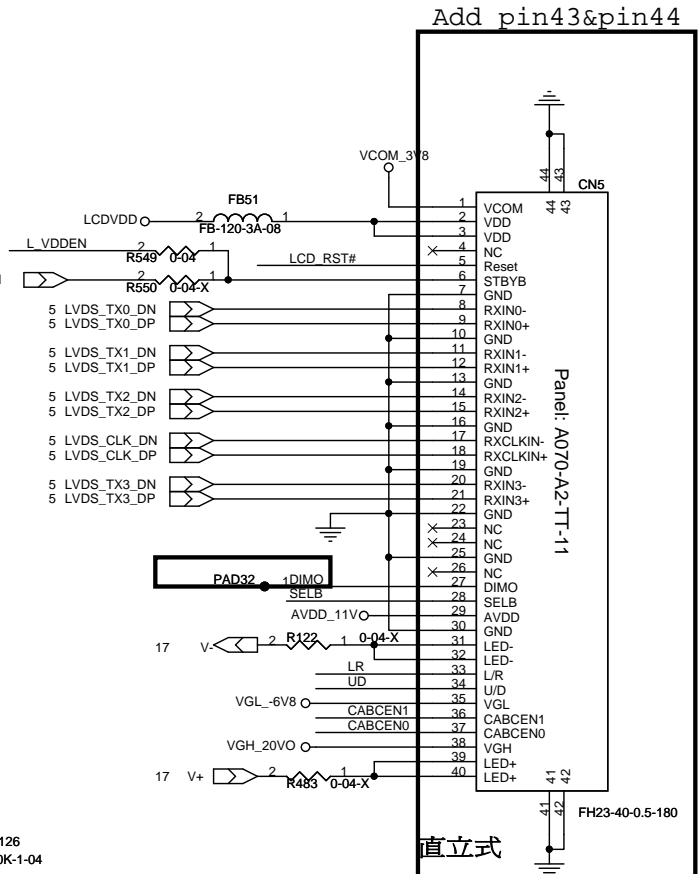
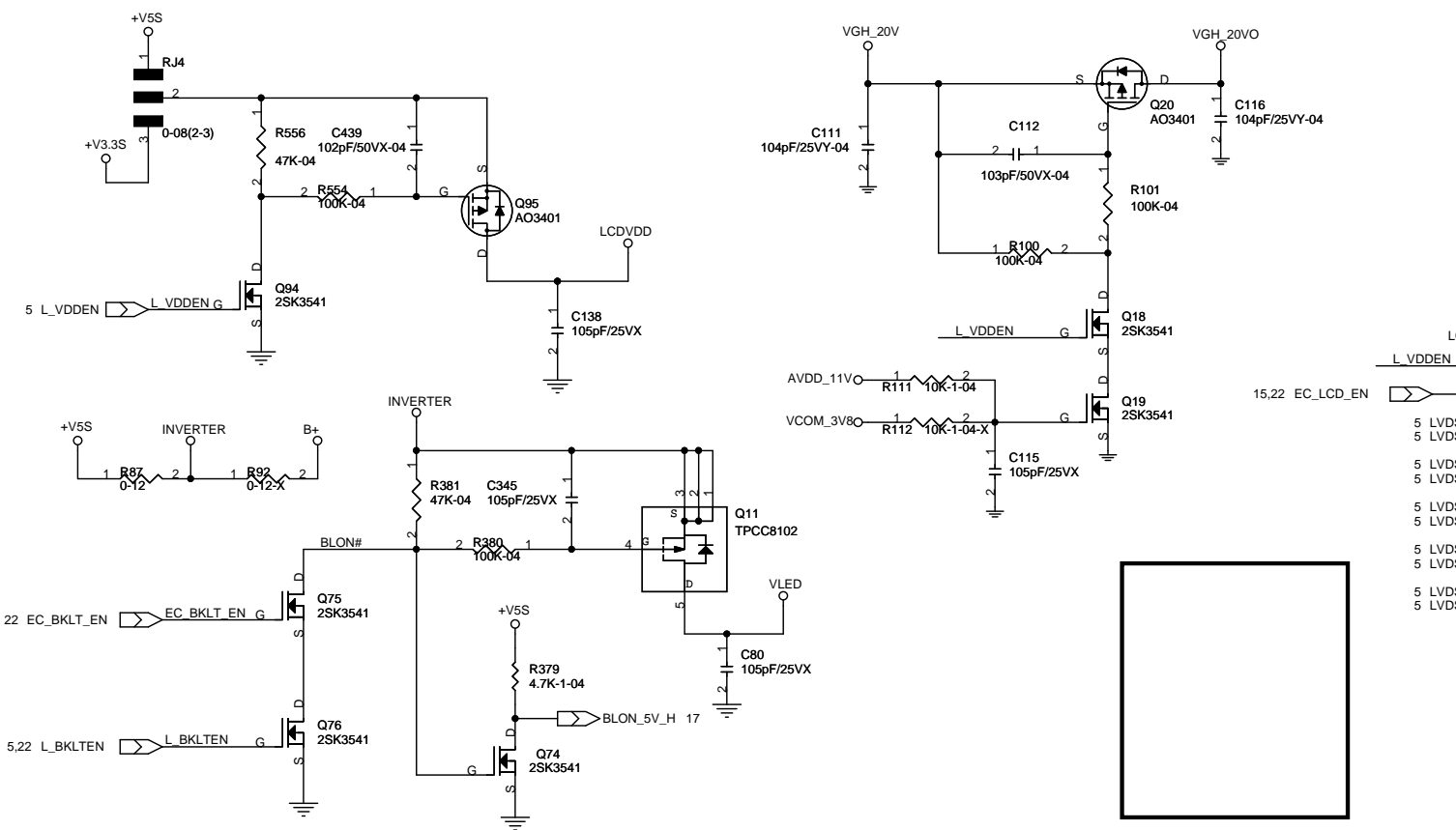


**Winmate Communication INC.**

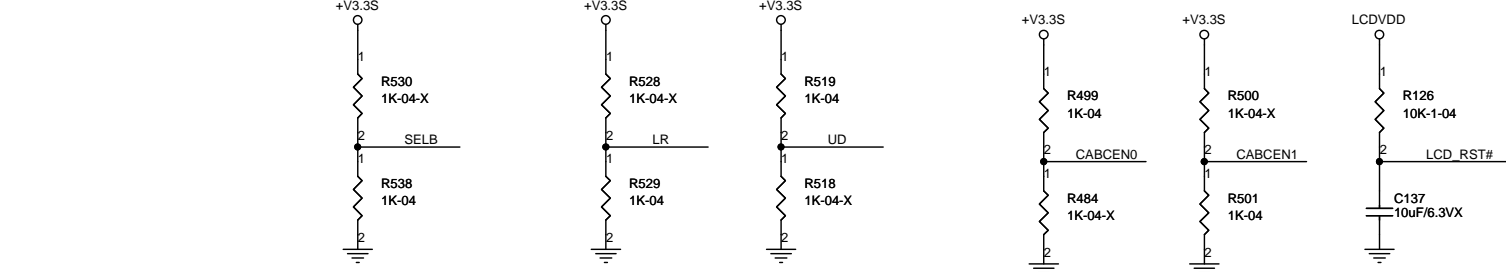
Winmate

Size Custom Document Number **ID8HH** Rev **100**

Date: Friday, January 25, 2013 Sheet 13 of 44



VDD: 3.3V/60mA  
 AVDD: 1.1V/30mA  
 VGH: 20V/1mA  
 VGL: -6.8V/1mA  
 VCOM: 3.8V



LCDRST# > 50ms

SELB	
H	6 Bits
L	8 Bits

LR	
H	Left to right scan
L	Right to left scan

UD	
H	Bottom to top scan
L	Top to bottom scan

CABCEN0	CABCEN1	
L	L	CABC OFF
L	H	still picture
H	L	user interface image
H	H	moving image

**WINMATE** Winmate Communication INC.

Title: **LVDS**

Size: Document Number **ID8HH** Rev: 100

Date: Friday, January 25, 2013 Sheet 14 of 44

直立式

Panel: A070-A2-TT-11

Panel: A070-A2-TT-11

Panel: A070-A2-TT-11

Panel: A070-A2-TT-11

Panel: A070-A2-TT-11

Panel: A070-A2-TT-11

Panel: A070-A2-TT-11

Panel: A070-A2-TT-11

Panel: A070-A2-TT-11

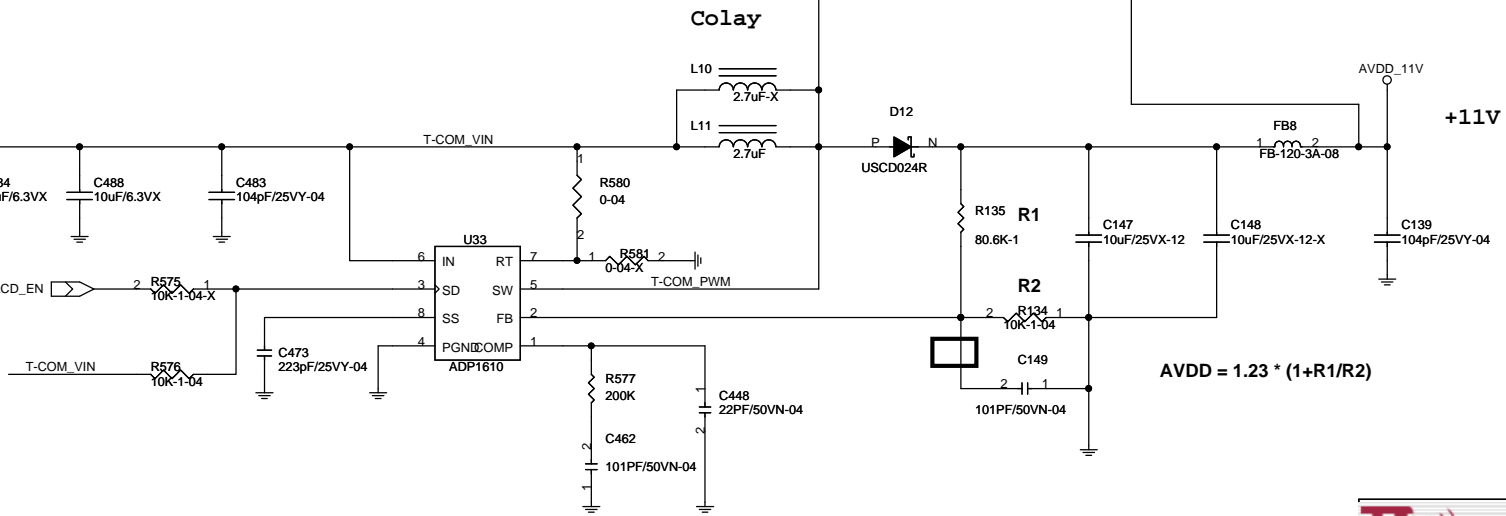
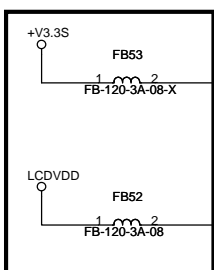
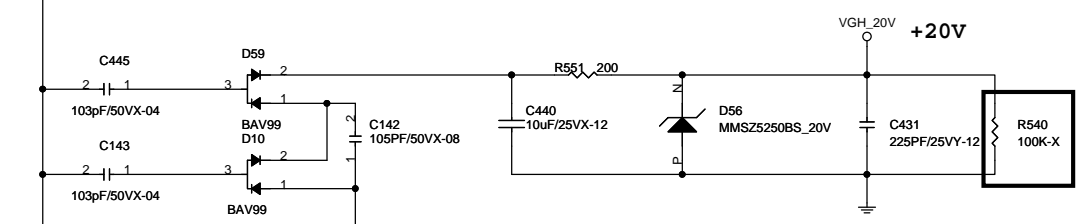
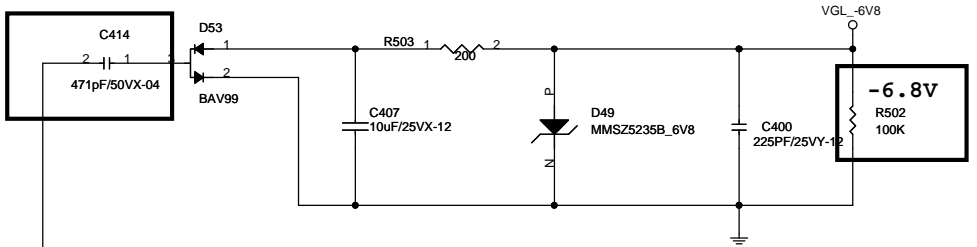
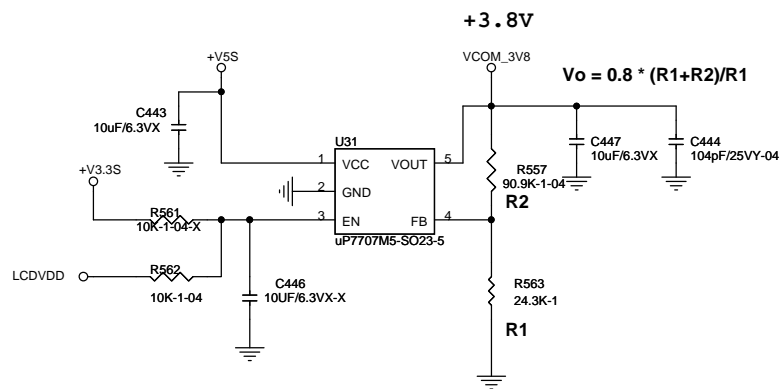
Panel: A070-A2-TT-11

Panel: A070-A2-TT-11

Panel: A070-A2-TT-11

Panel: A070-A2-TT-11

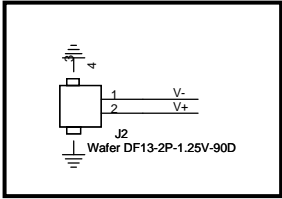
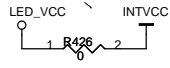
Panel: A070-A2-TT-11



<b>Winmate</b> Winmate Communication INC.		
Title: T-COM VR ADP1610		
Size: Custom	Document Number: ID8HH	Rev: 100
Date: Friday, January 25, 2013	Sheet: 15	of 44

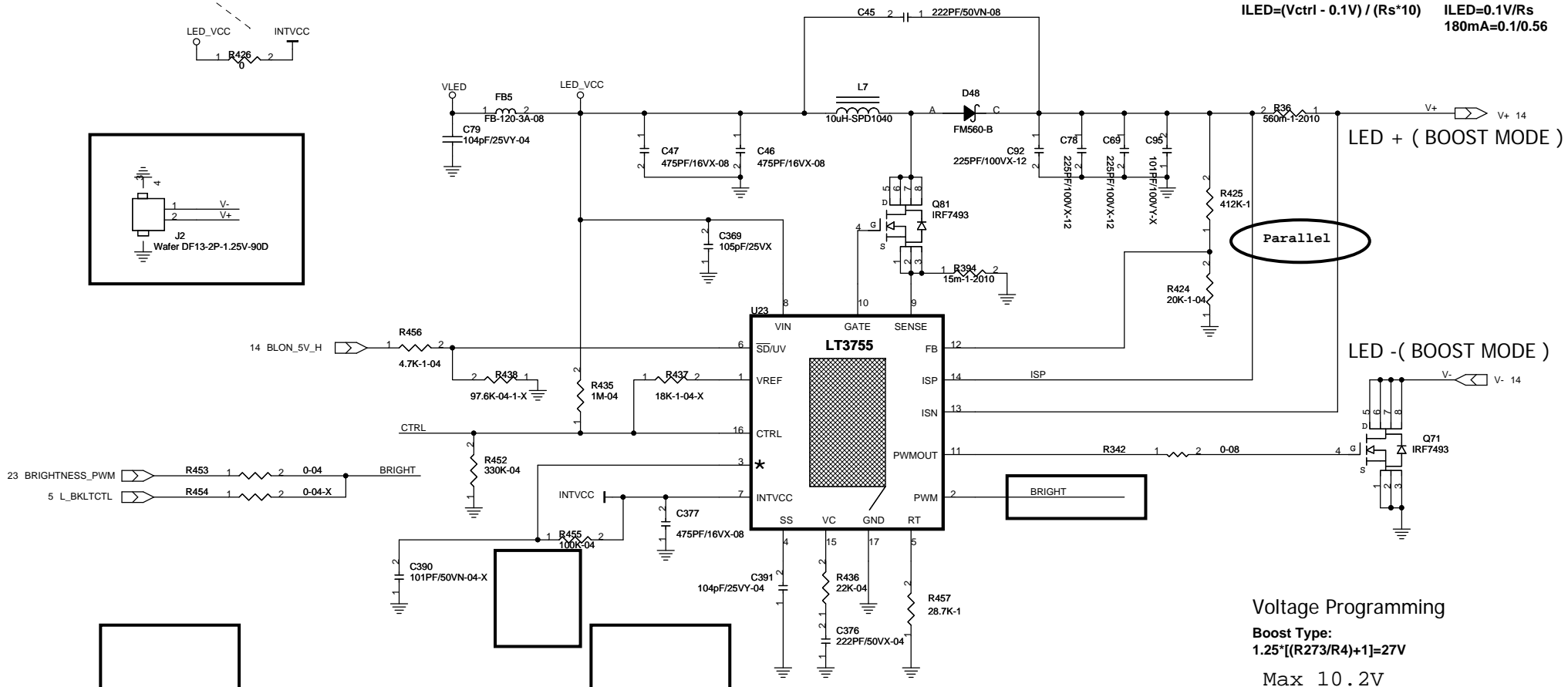


For VIN < 8 V Application



Current Programming

$V_{ctrl} < 1V$   
 $I_{LED} = (V_{ctrl} - 0.1V) / (R_s * 10)$   
 $V_{ctrl} > 1.2V$   
 $I_{LED} = 0.1V / R_s$   
 $180mA = 0.1 / 0.56$



LED + ( BOOST MODE )

LED - ( BOOST MODE )

Parallel

Voltage Programming

**Boost Type:**  
 $1.25 * [(R273/R4) + 1] = 27V$   
 Max 10.2V

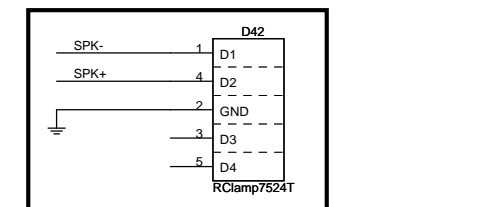
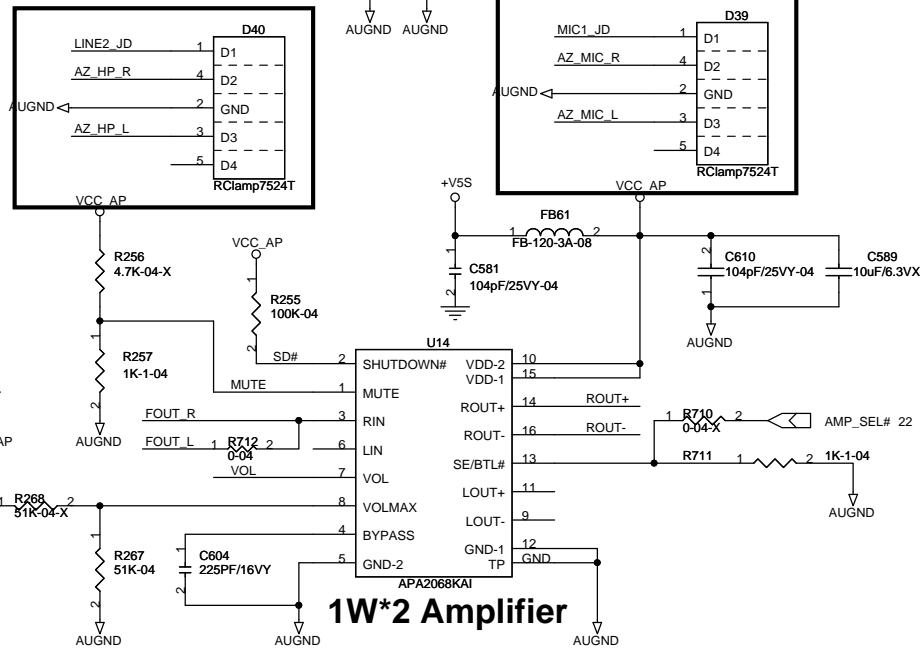
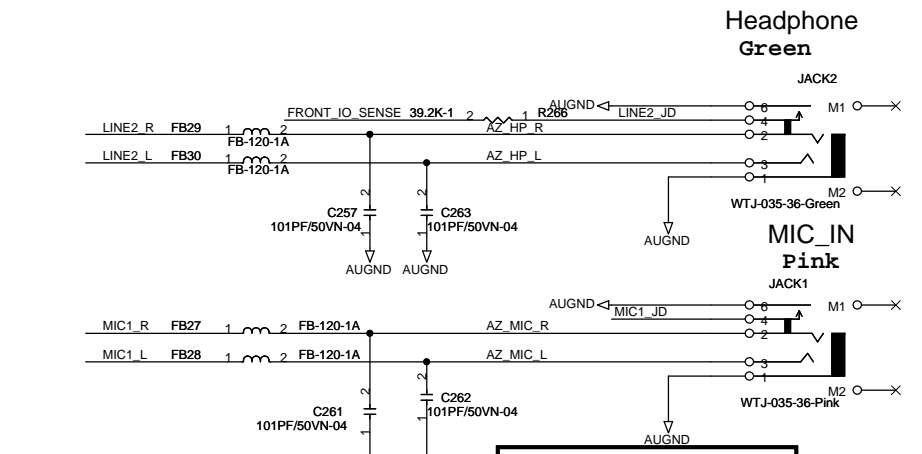
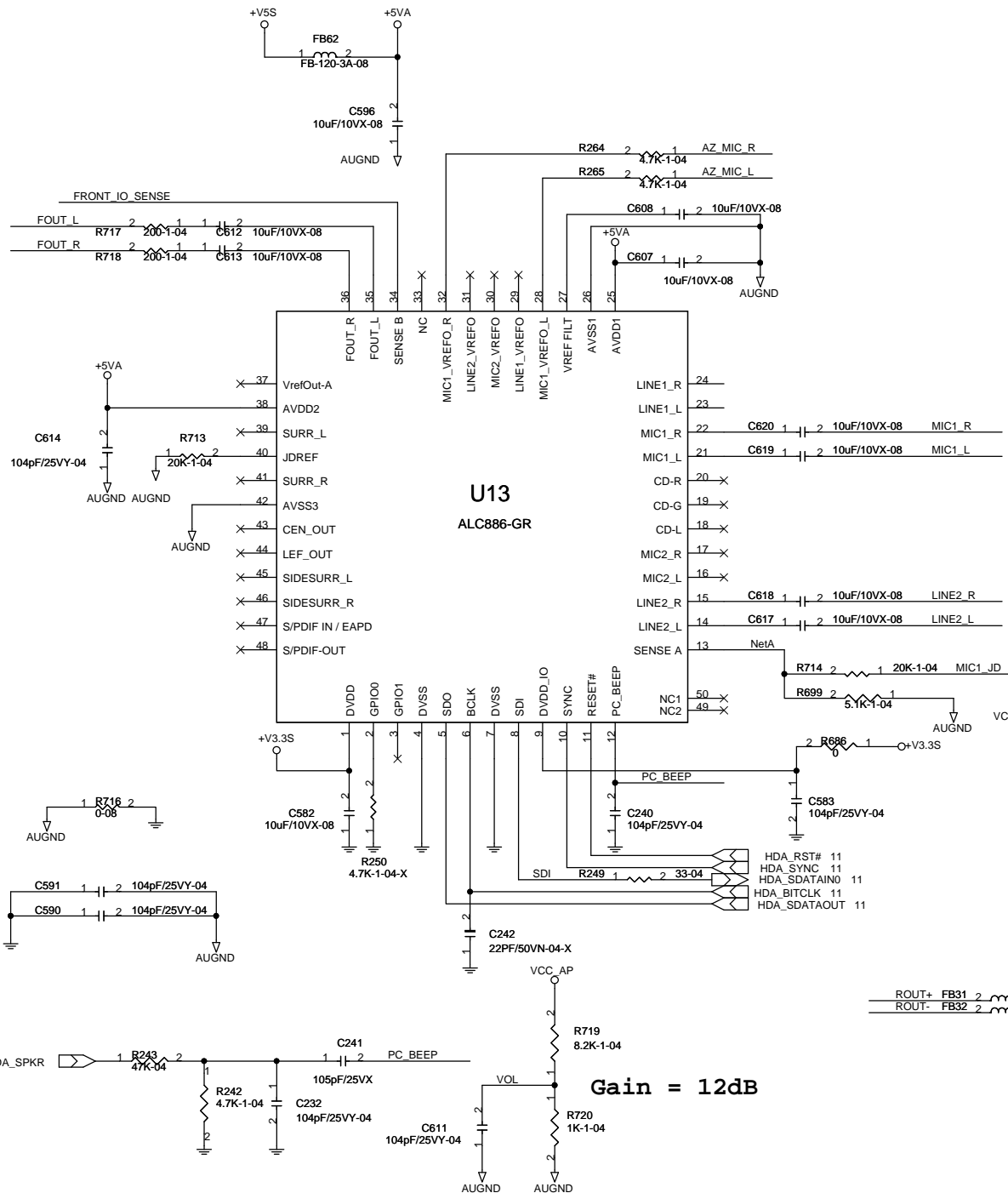
★	ASSY	U1(IC)	R15	R20	C23	E11 (Name)	U2-3 (Name)
	-A	LT3755EUD	100k	OPT	OPT	OPENLED	OPENLED
	-B	LT3755EUD-1	OPT	10k	100pF	SYNC	SYNC

**WINMATE** Winmate Communication INC.

Title: **LED Controller LT3755**

Size: Custom Document Number: **ID8HH** Rev: 100

Date: Friday, January 25, 2013 Sheet 17 of 44

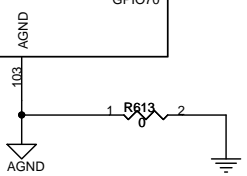
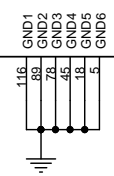
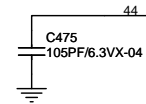
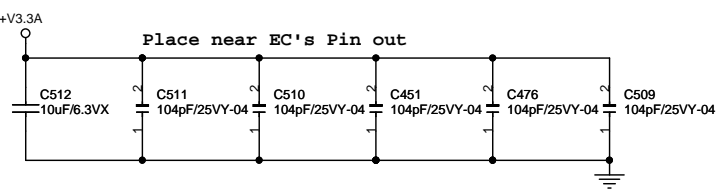
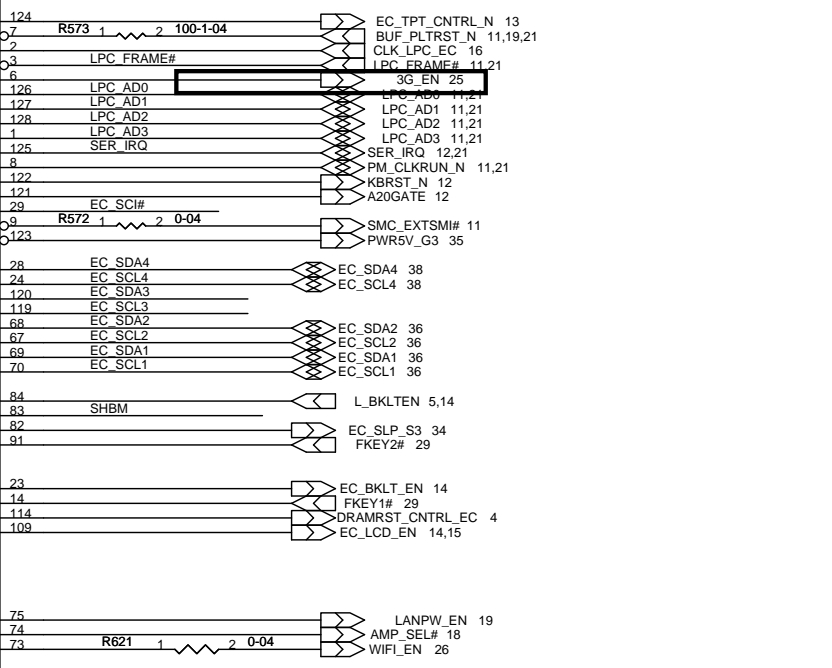
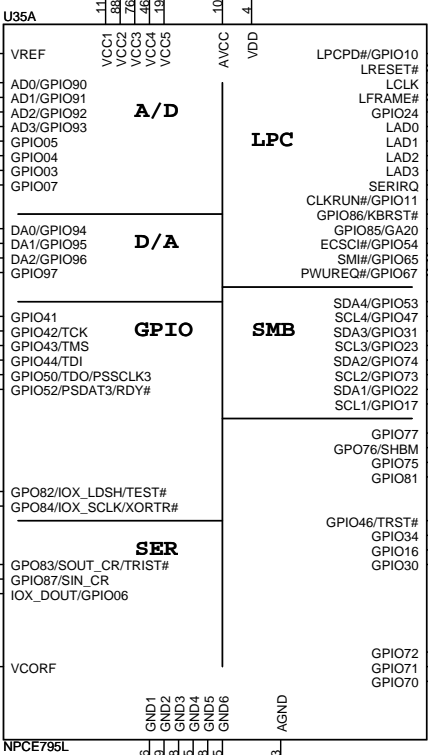
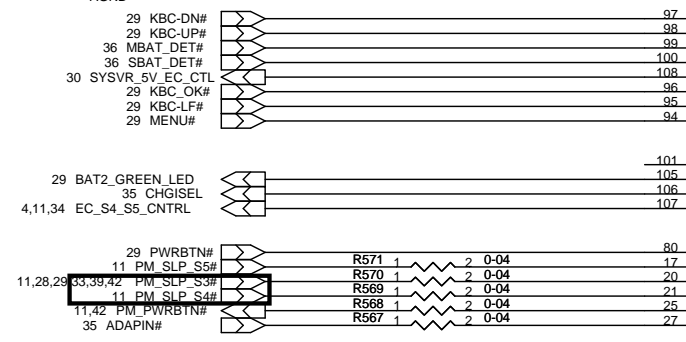
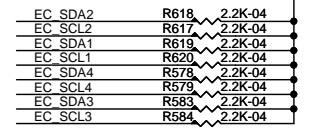
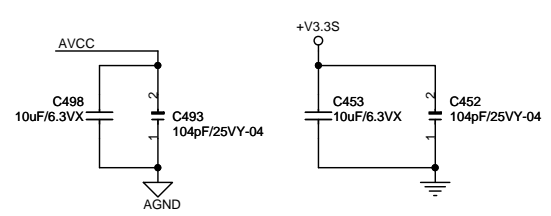
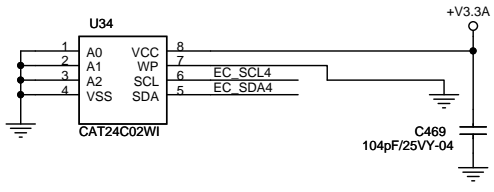
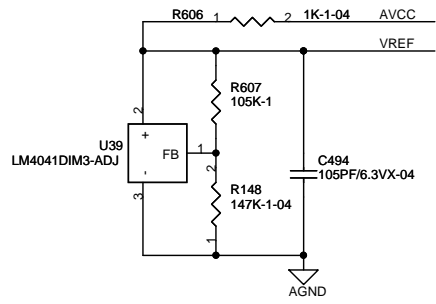




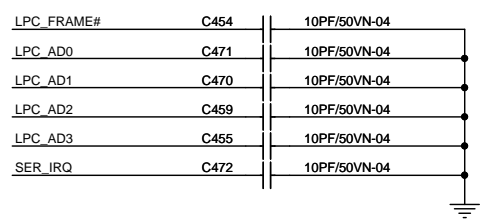
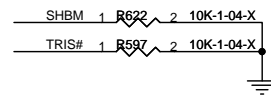








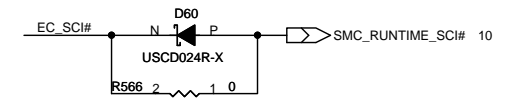
SHBM = 0 Shared BIOS memory is Enable  
 TRIS# = 0 Force all I/O pins to float



	WPCE775	NPCE795
TRIS#	NA	NA
BADDR0	L	NA
BADDR1	NA	NA

BADDR	SELECTION
1 0	
0 0	XOR-Tree Test Mode
0 1	Core Defined
1 0	2Eh - 2Fh(Default)
1 1	164Eh - 164Fh

'1' - pin is left open.  
 '0' - pin is pulled down.

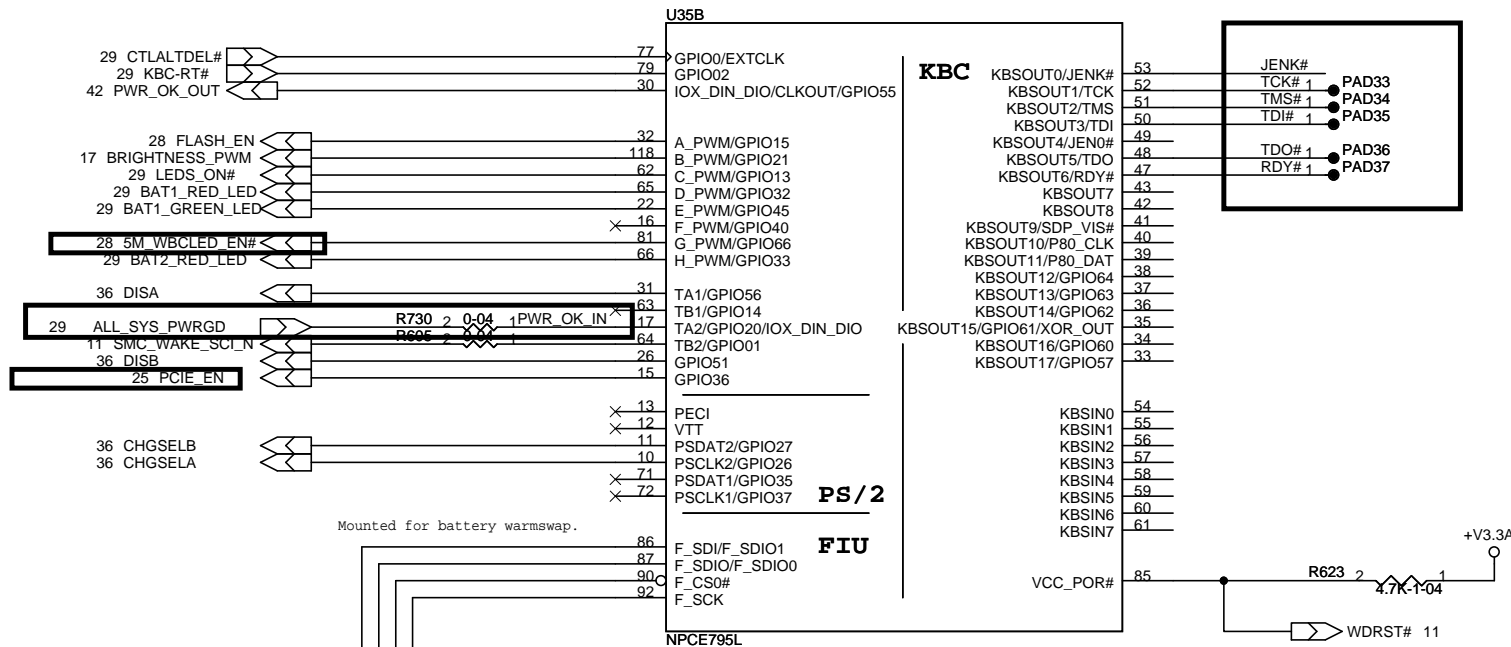


**Winmate Winmate Communication INC.**

Title **EC\_WPCE775x Peripherals**

Size Custom Document Number **ID8HH** Rev 100

Date: Friday, January 25, 2013 Sheet 22 of 44



Internally pulled low when the WPCE775x powers up for a period of min 93ms.

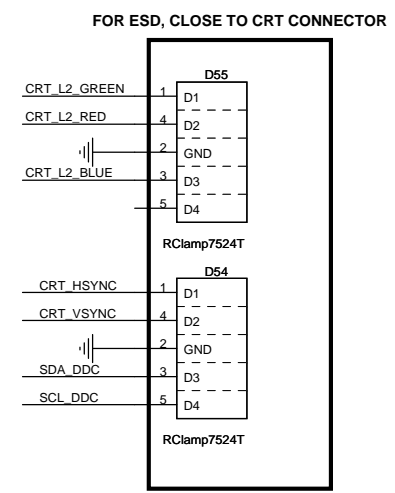
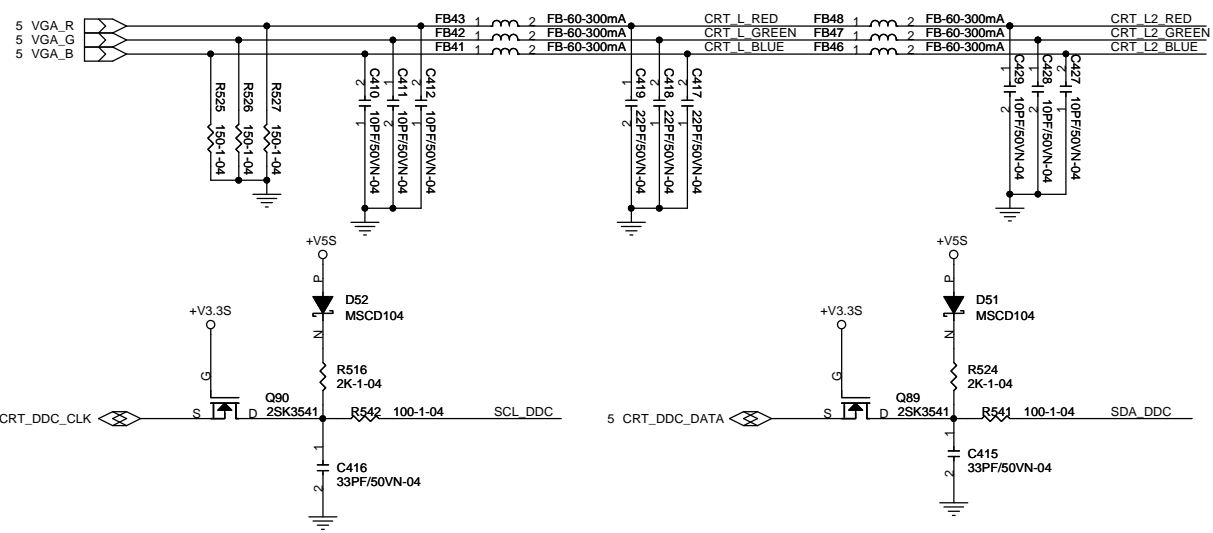
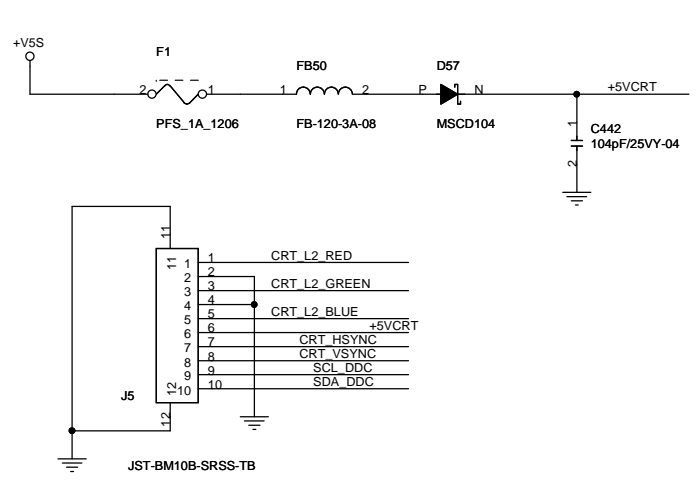
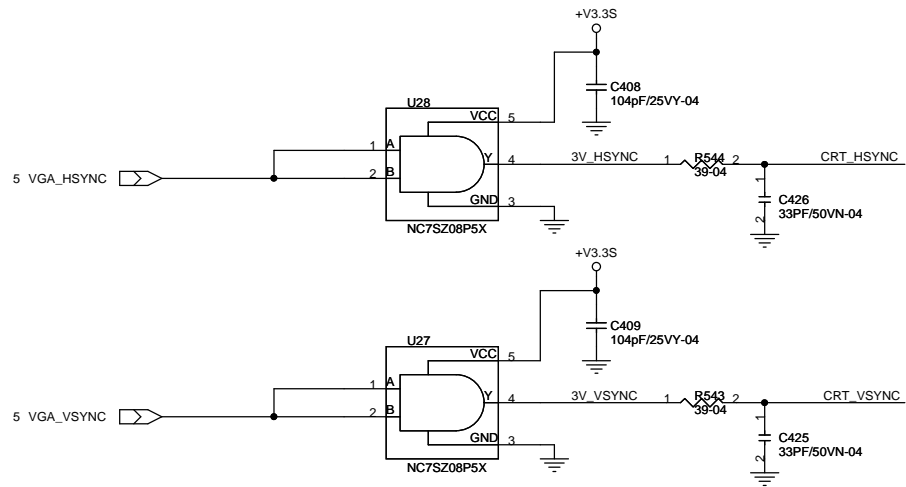
JTAG Enable	
JEN0# = 0	Pins:17,20,21,23,25,27
JENK# = 0	Pins:47,48,50,51,52
NC	Production

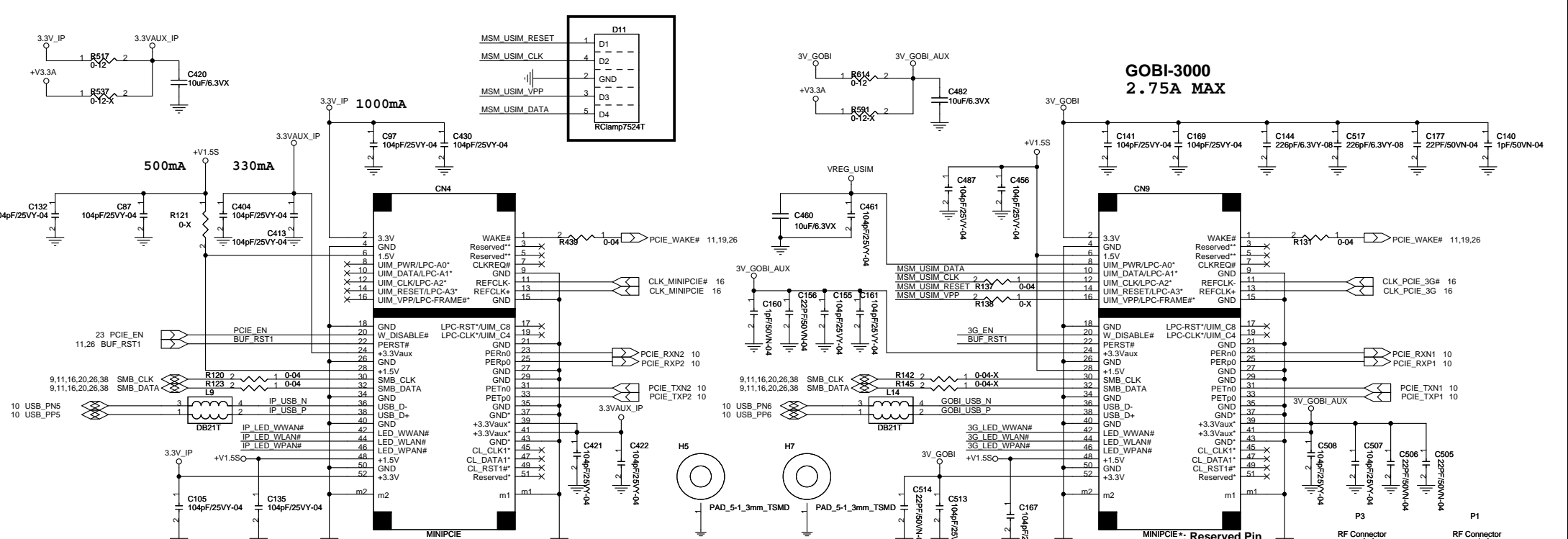
NOTE: Maximum flash address space is 4MByte.

**WINMATE** Winmate Communication INC.

Title: EC\_WPCE775x KBC & PS/2 & FIU

Size: Custom	Document Number: ID8HH	Rev: 100
Date: Friday, January 25, 2013		Sheet 23 of 44



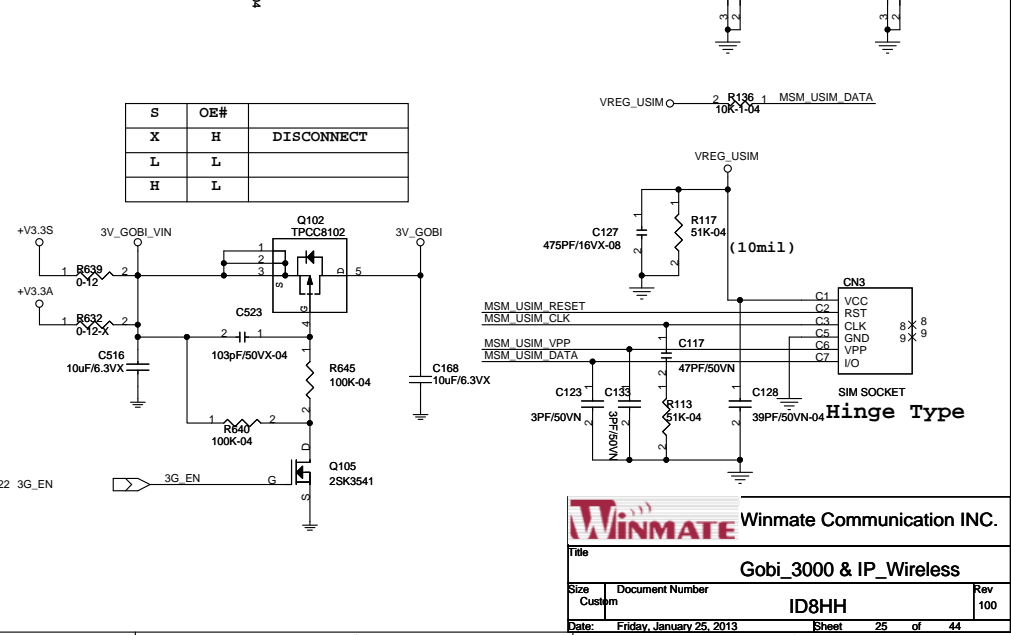
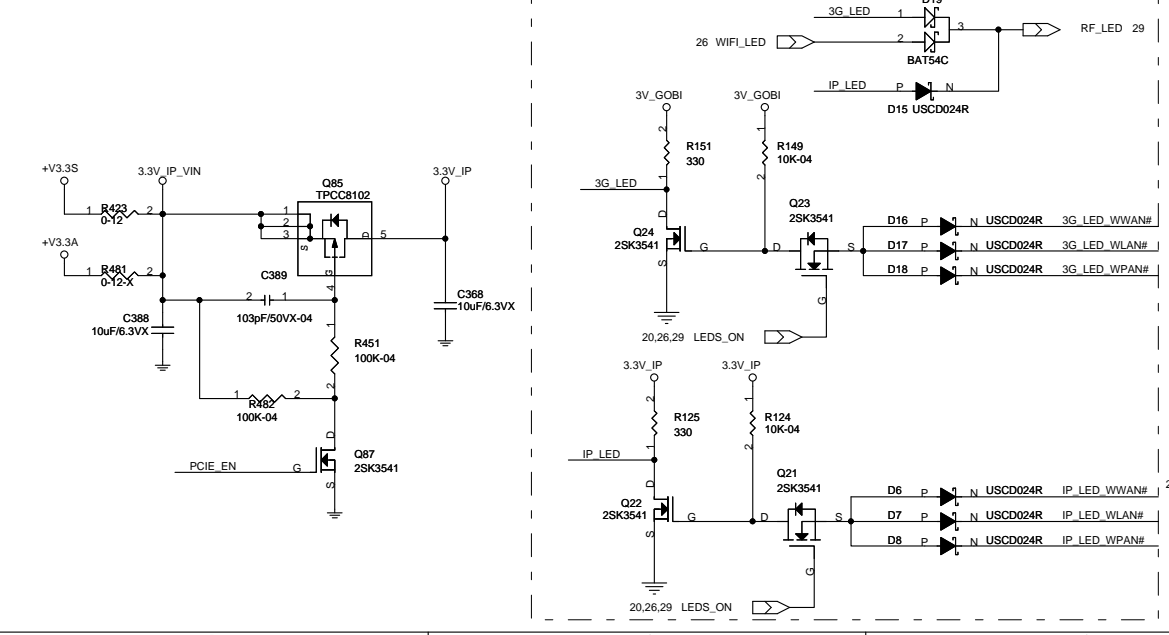


**GOBI-3000  
2.75A MAX**

\*: Reserved Pin

MINIPCIE\*: Reserved Pin

S	OE#	
X	H	DISCONNECT
L	L	
H	L	



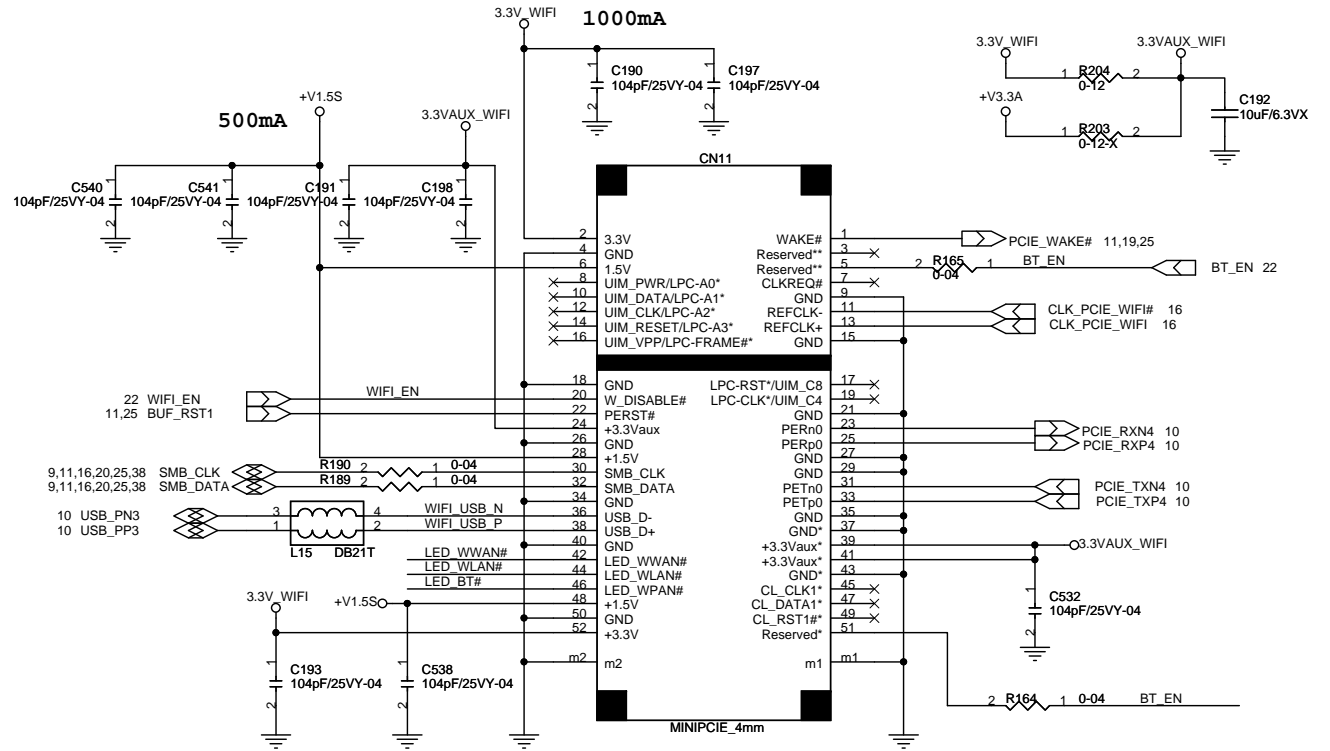
**Winmate** Winmate Communication INC.

Title: **Gobi\_3000 & IP\_Wireless**

Size: Custom Document Number: **ID8HH** Rev: 100

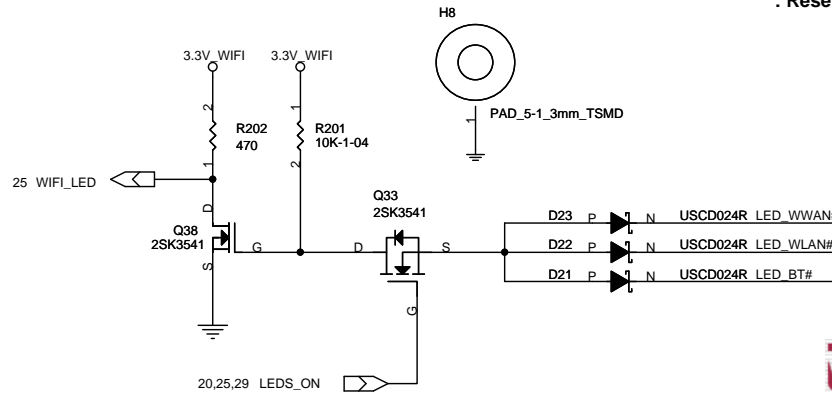
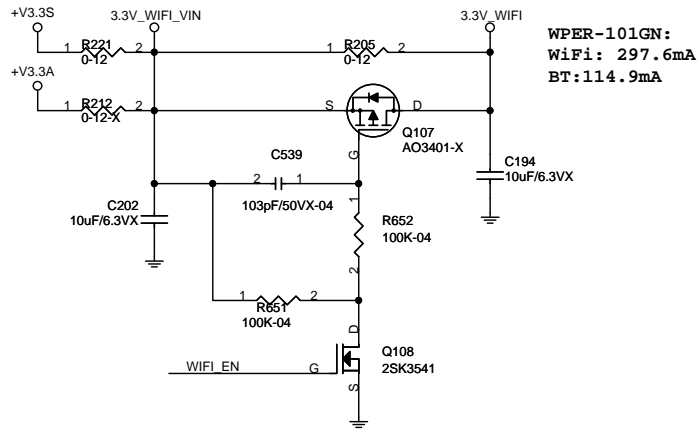
Date: Friday, January 25, 2013 Sheet: 25 of 44

# Half Mini PCI-E, USB Interface



\*: Reserved Pin

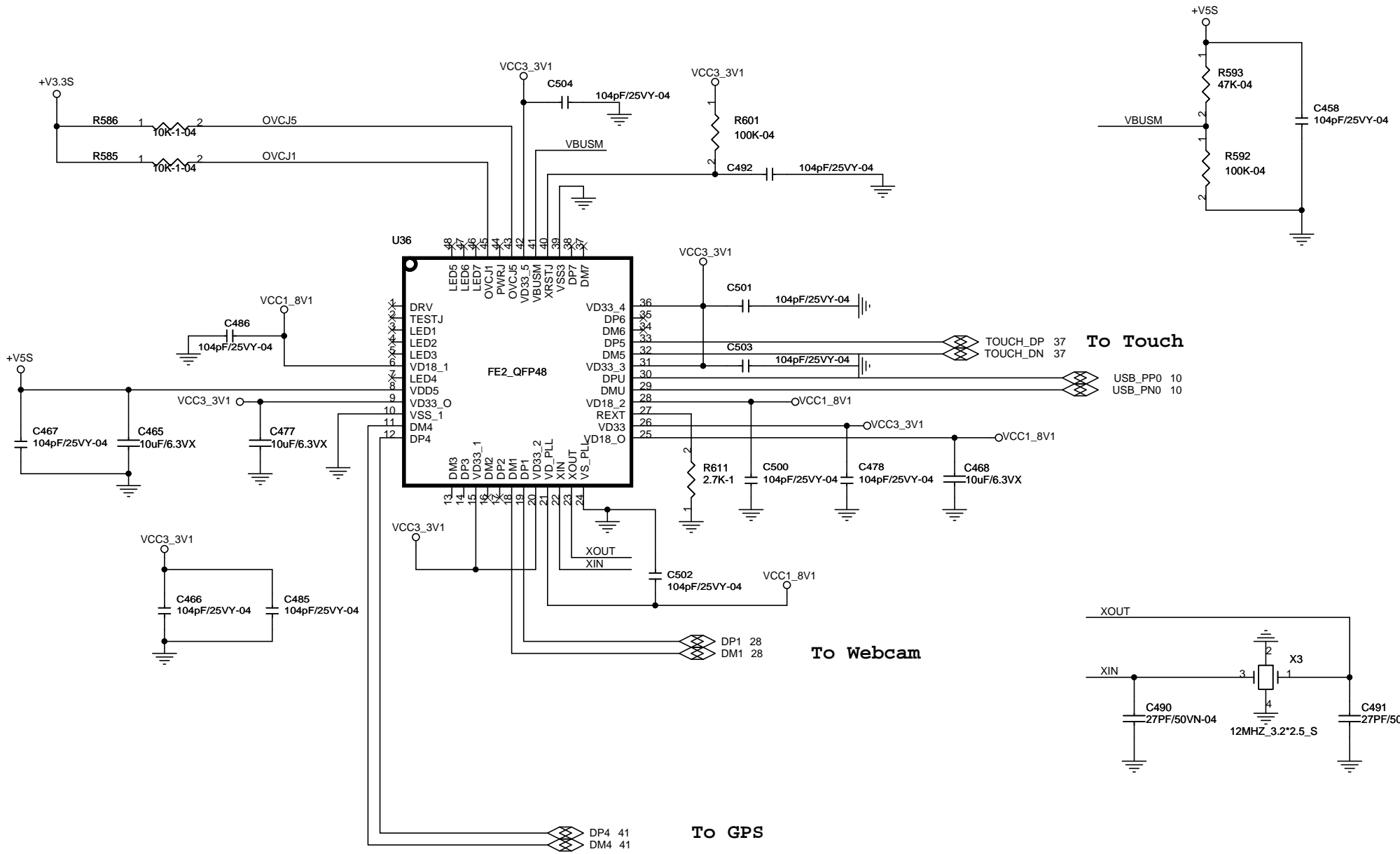
Half MiniPCI-e Module BOM Selection		
	WiFi only	WiFi+BT
Q5	O	NA
R739	NA	O
R740	NA	O



**WINMATE** Winmate Communication INC.

Title			Mini PCIE WIFI & Blue Tooth		
Size	Document Number				Rev
B	ID8HH				100
Date:	Friday, January 25, 2013	Sheet	26	of	44





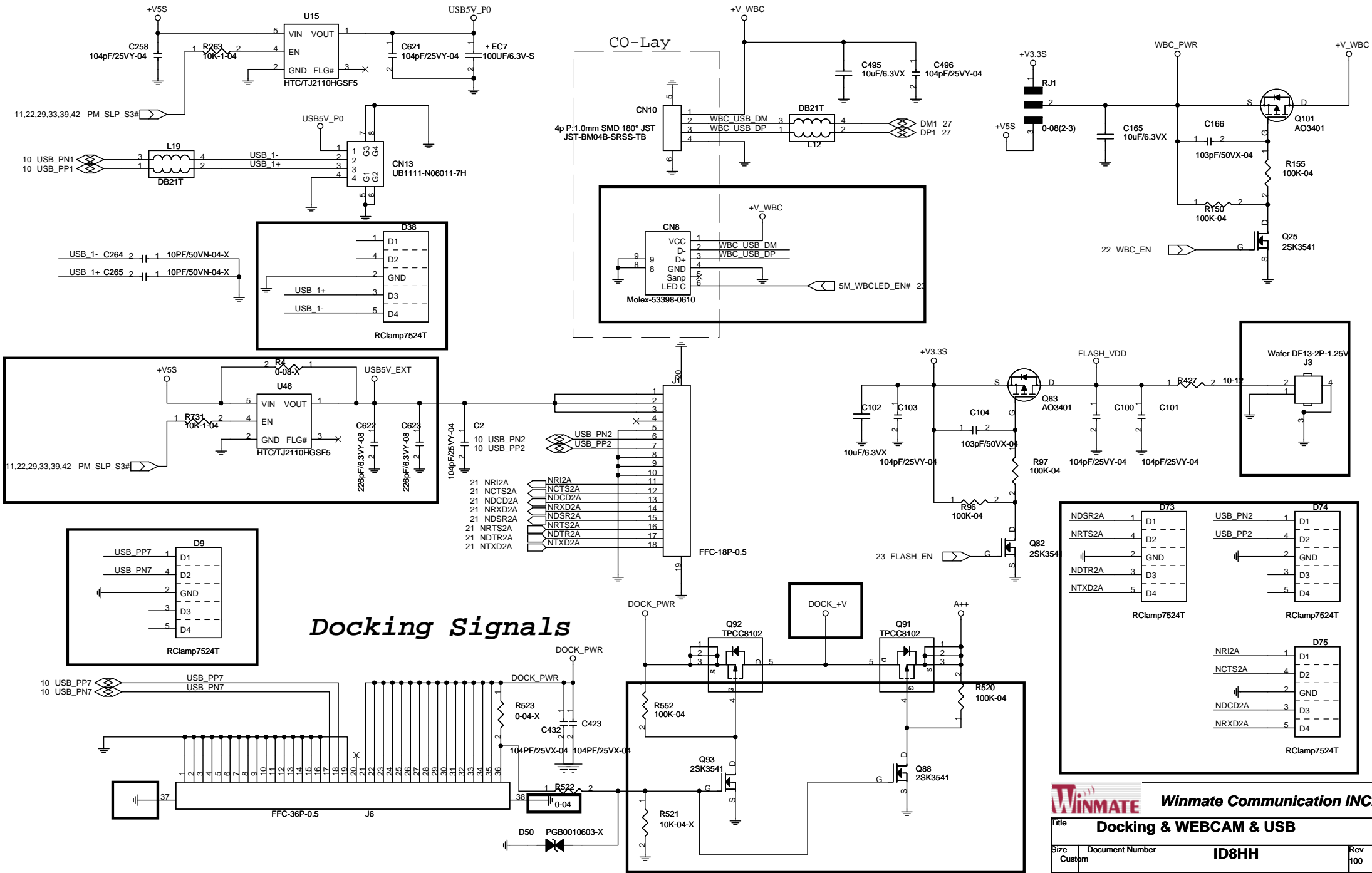
**WINMATE** Winmate Communication INC.

Title: **USB 7 Ports Hub FE.2.1**

Size Custom	Document Number	Rev 100
	<b>ID8HH</b>	

Date: Friday, January 25, 2013 Sheet 27 of 44

# USB for Web CAM



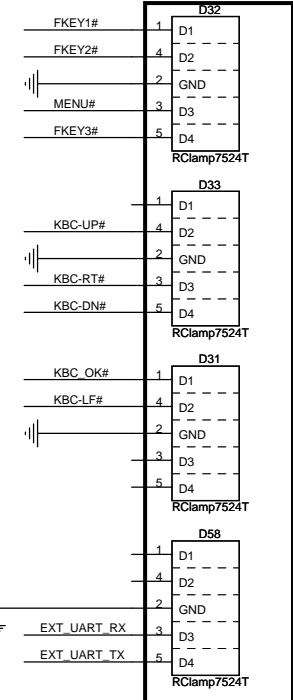
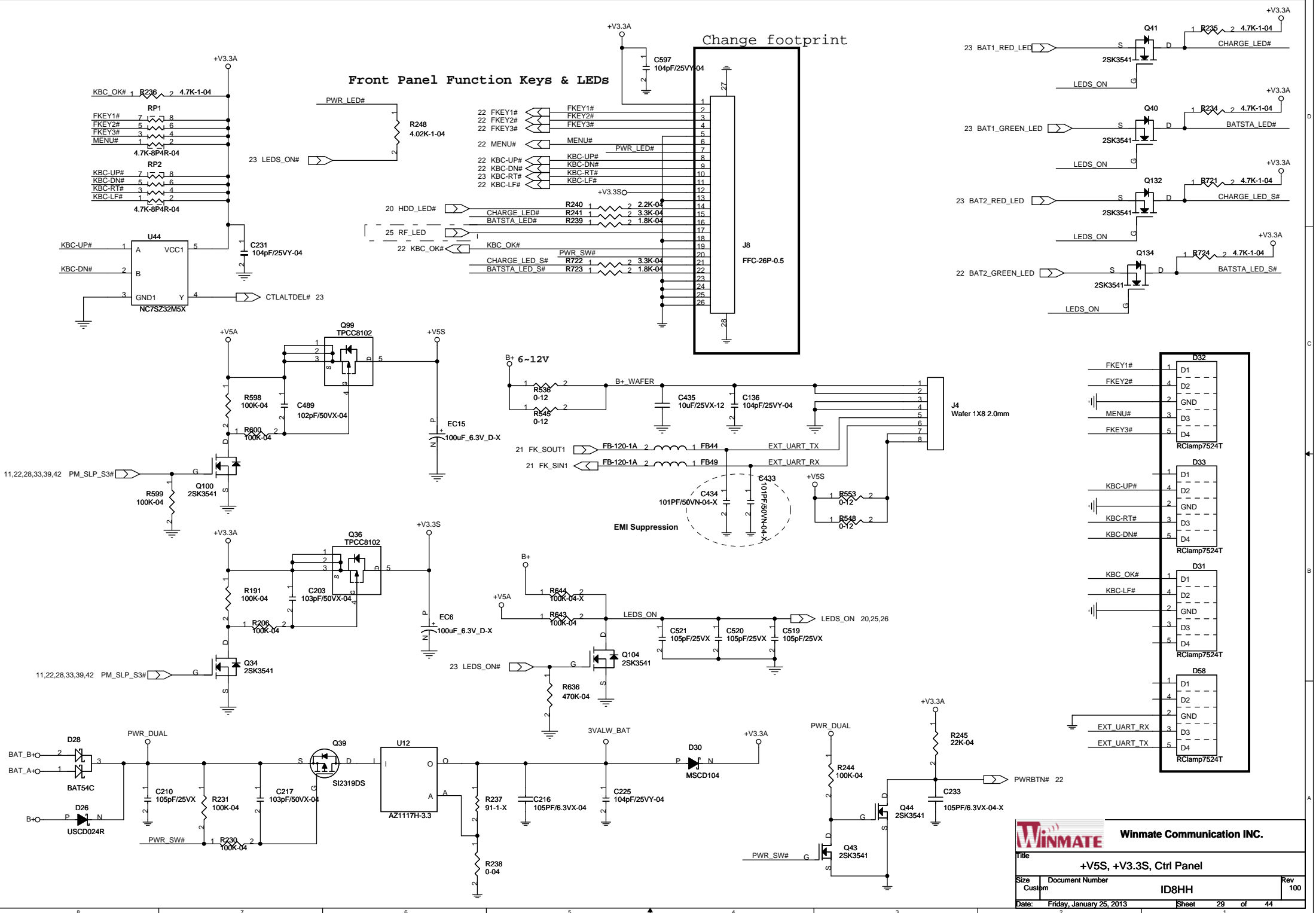
**WINMATE** Winmate Communication INC.

Title: **Docking & WEBCAM & USB**

Size: Custom	Document Number: ID8HH	Rev: 100
Date: Friday, January 25, 2013	Sheet: 28	of 44

Change footprint

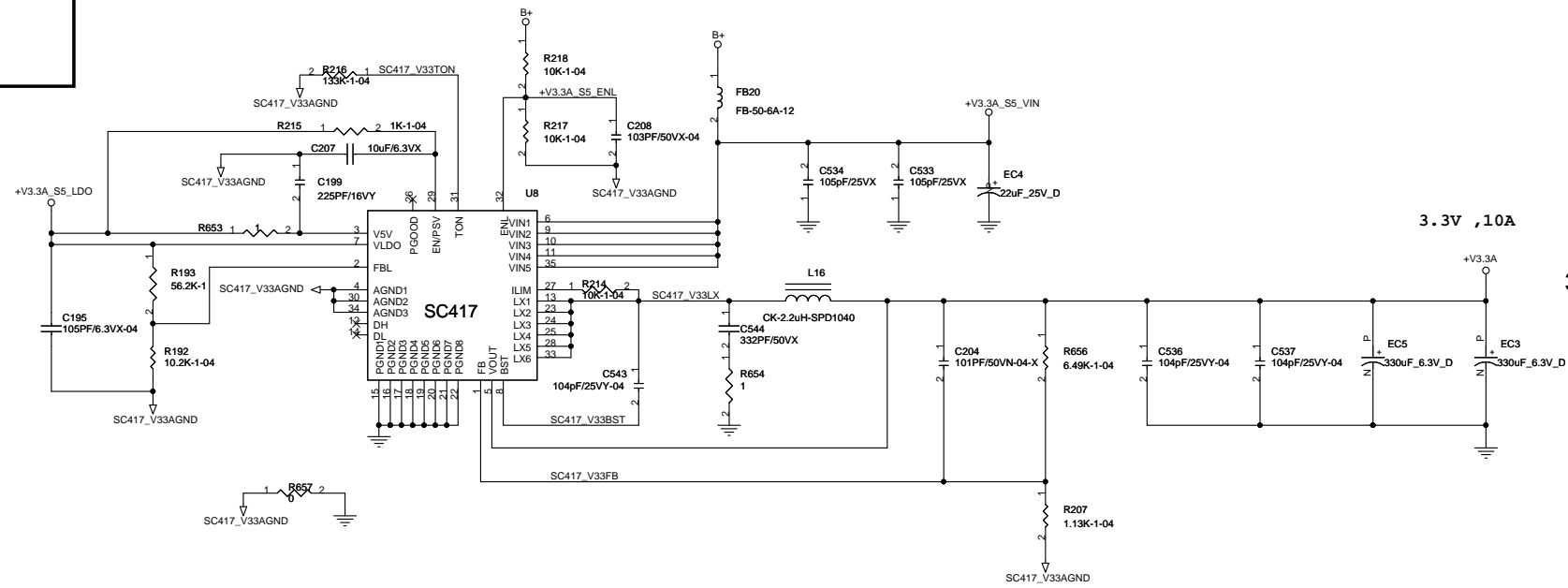
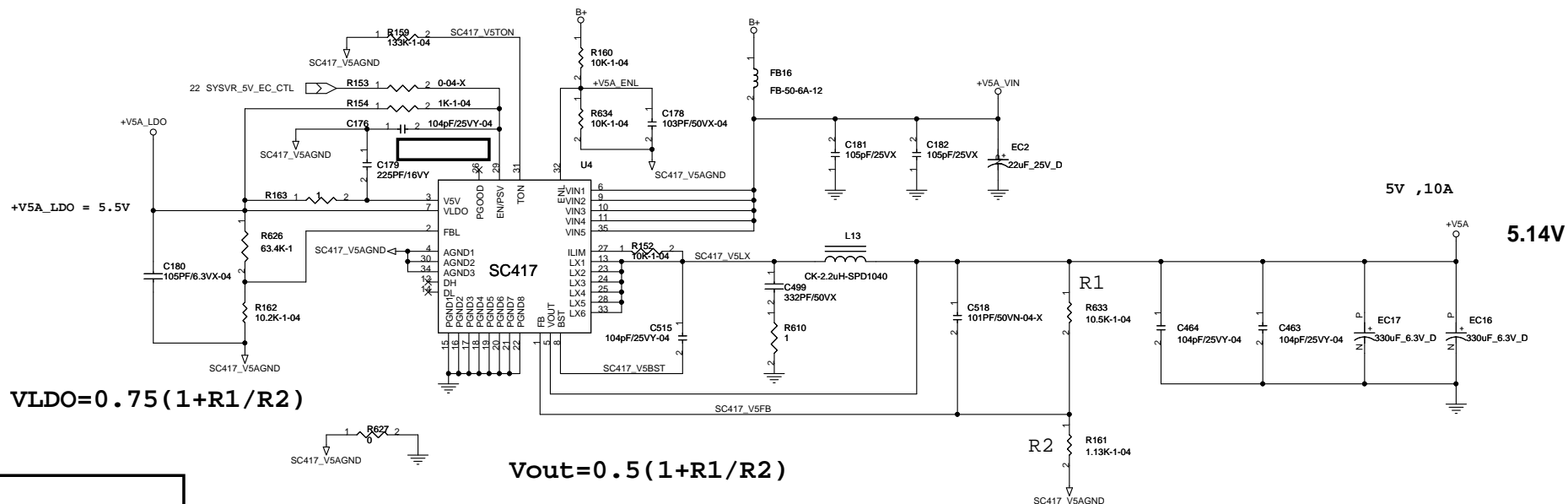
Front Panel Function Keys & LEDs



**Winmate Communication INC.**

Title: **+V5S, +V3.3S, Ctrl Panel**

Size: Custom	Document Number: ID8HH	Rev: 100
Date: Friday, January 25, 2013	Sheet: 29 of 44	

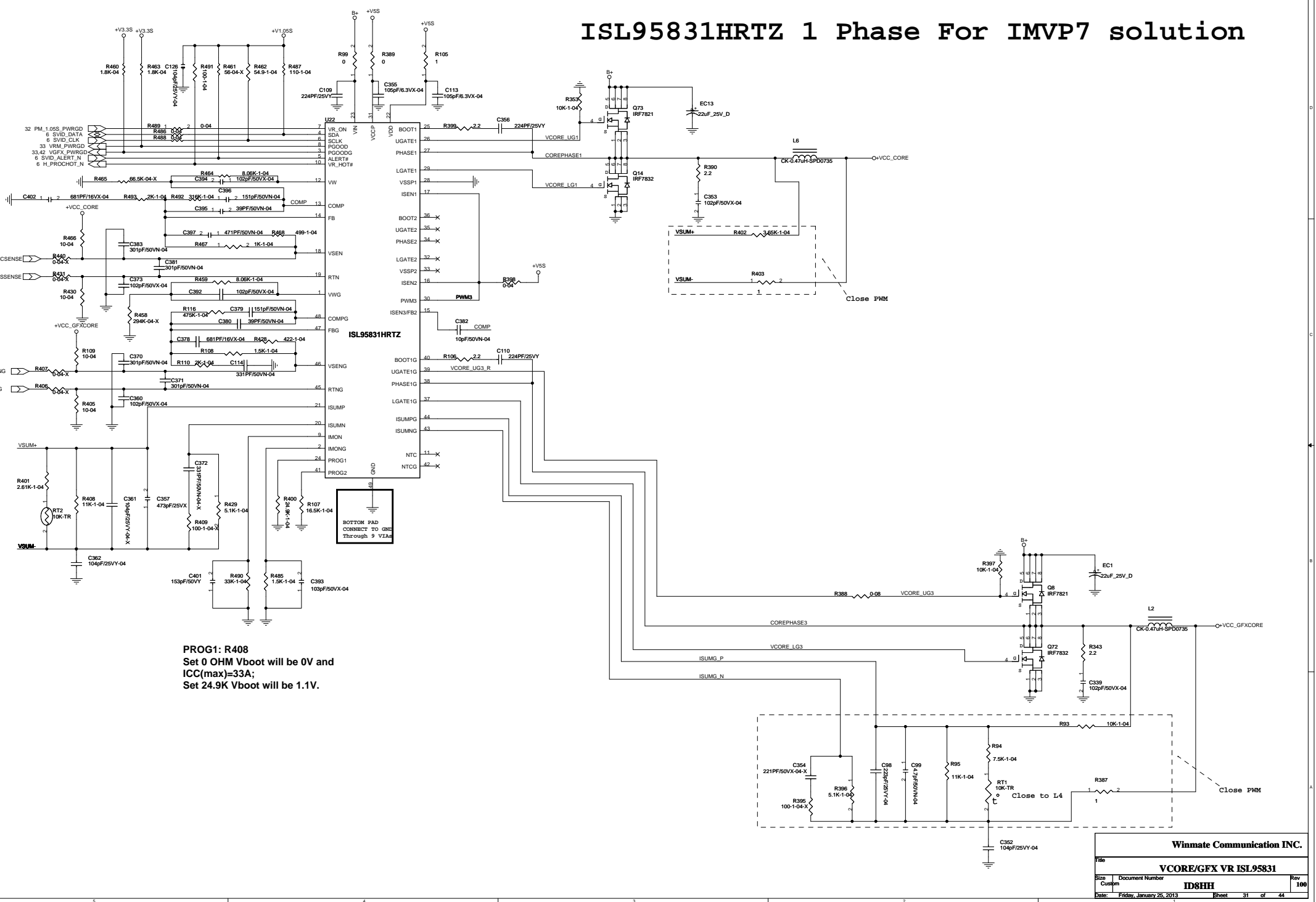


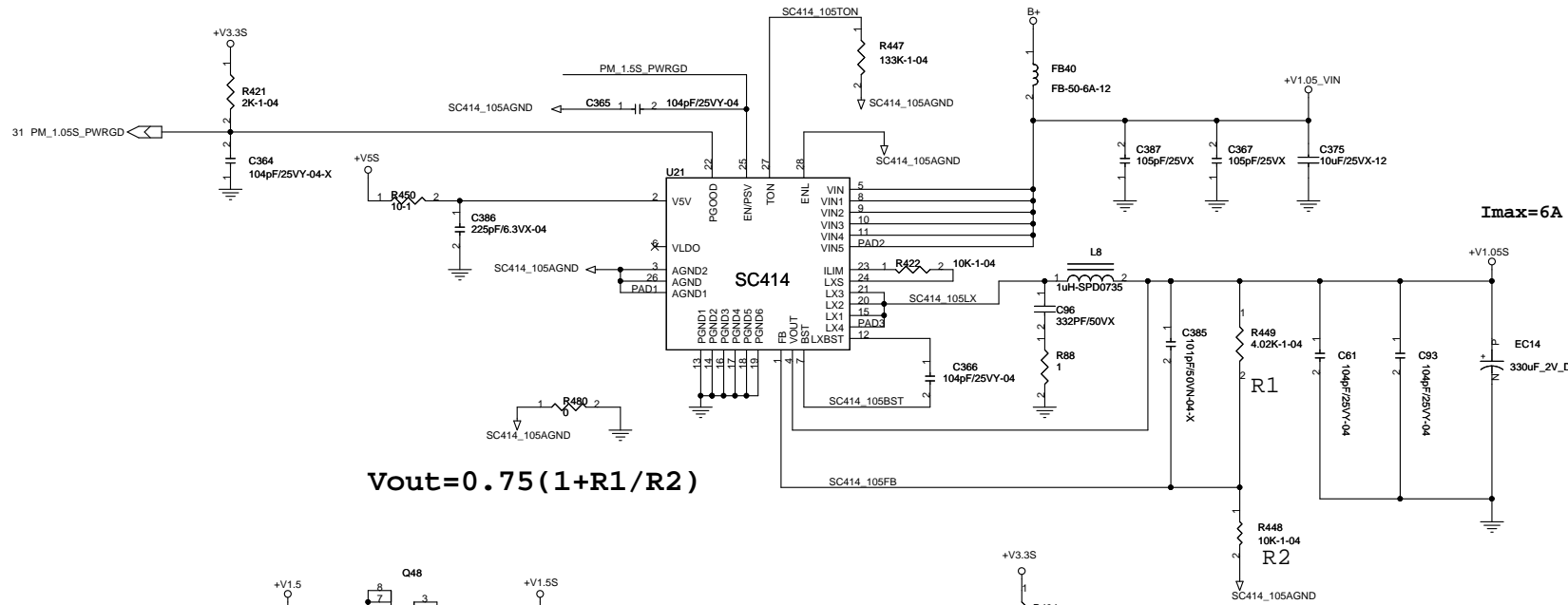
**Winmate** Winmate Communication INC.

System VR 3.3V & 5V

Size A	Document Number ID8HH	Rev 100
Date: Friday, January 25, 2013	Sheet 30 of 44	

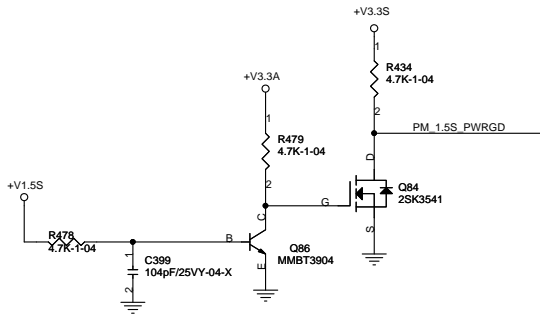
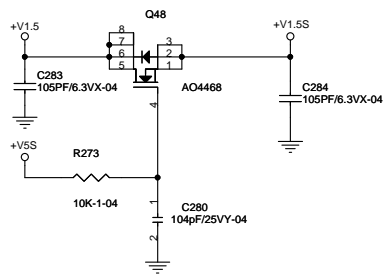
# ISL95831HRTZ 1 Phase For IMVP7 solution





$$V_{out} = 0.75(1 + R1/R2)$$

**+V1.05S:**  
 N2800: 1.130mA  
 N2600: 990mA  
 NM10: 969mA  
 Clock Gen: 46mA

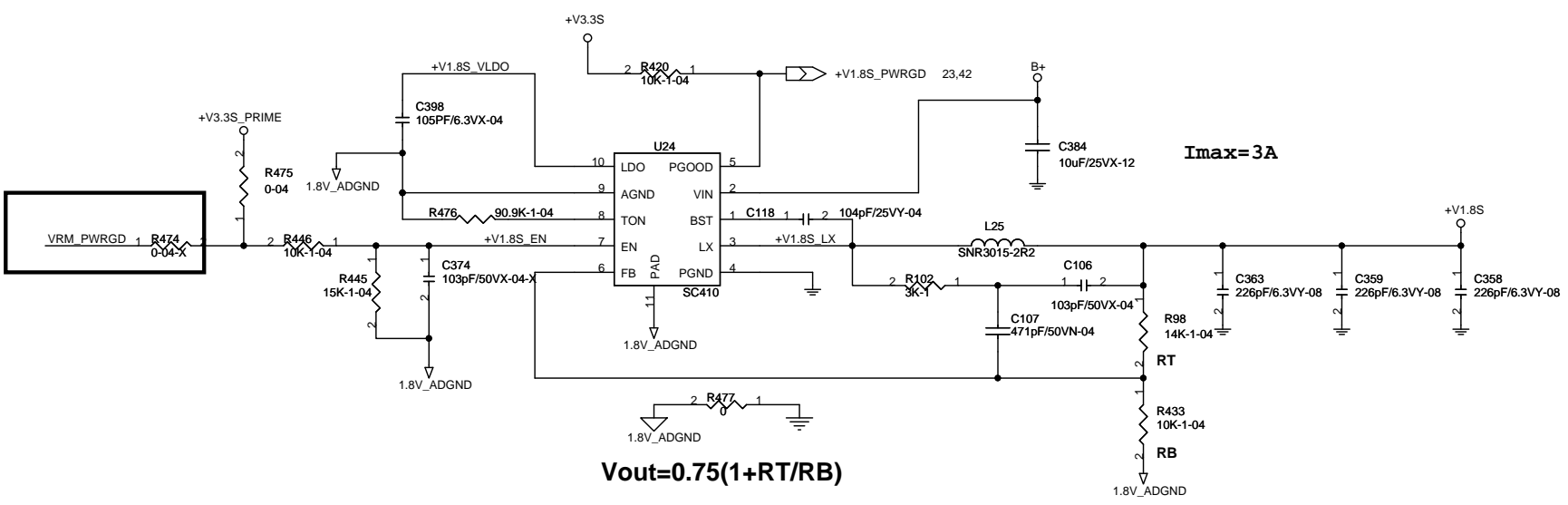
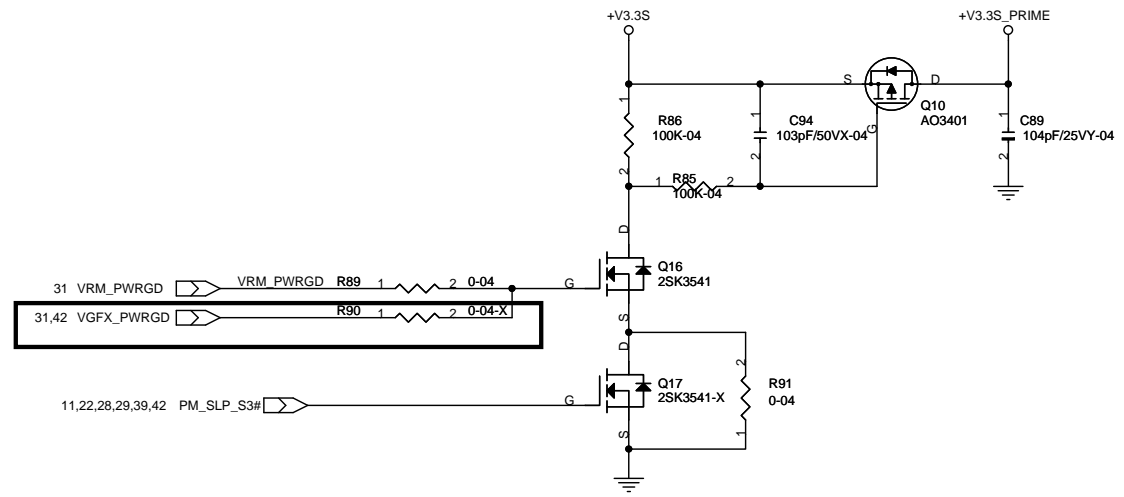


**+V1.5S:**  
 N2800: 125mA  
 N2600: 124mA  
 NM10: 1501mA  
 Mini PCI-e\*3: 1500mA



**Winmate Communication INC.**

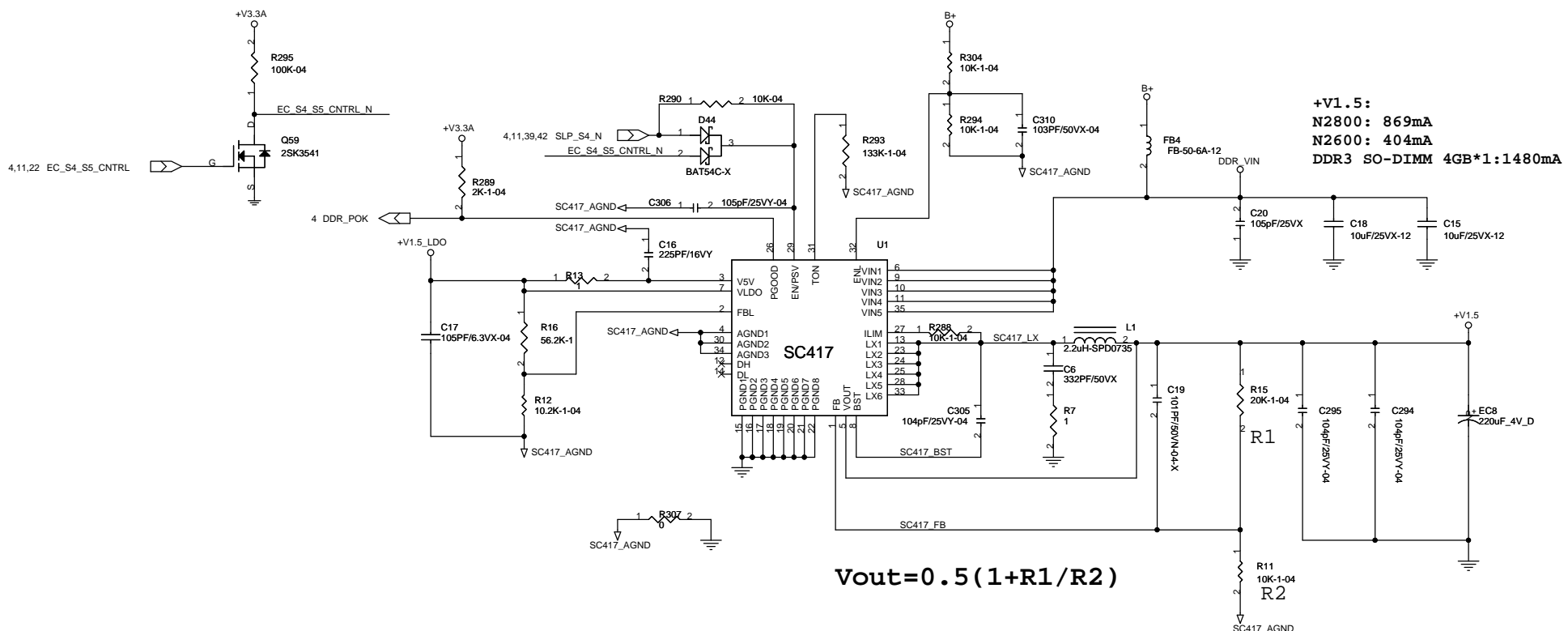
Title		VR 1.05V & 1.5V	
Size A	Document Number	ID8HH	Rev 100
Date:	Friday, January 25, 2013	Sheet 32	of 44



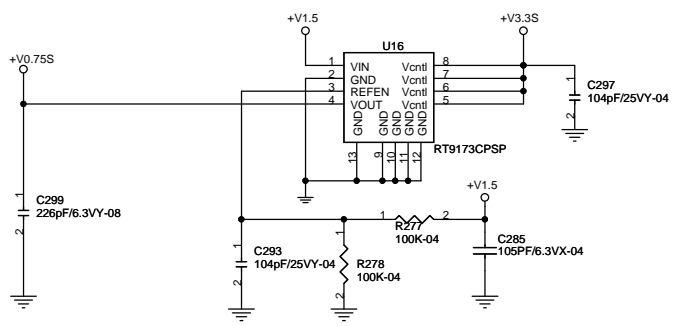
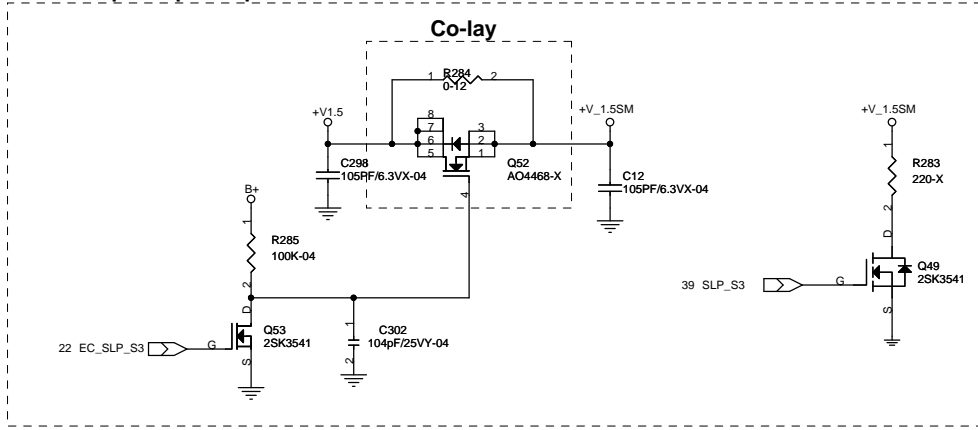
**Winmate** Winmate Communication INC.


Title: **+V3.3S\_PRIME,+V1.8S**

Size B	Document Number	ID8HH	Rev 100
Date:	Friday, January 25, 2013	Sheet 33	of 44



**Deep Sleep S3 Option**

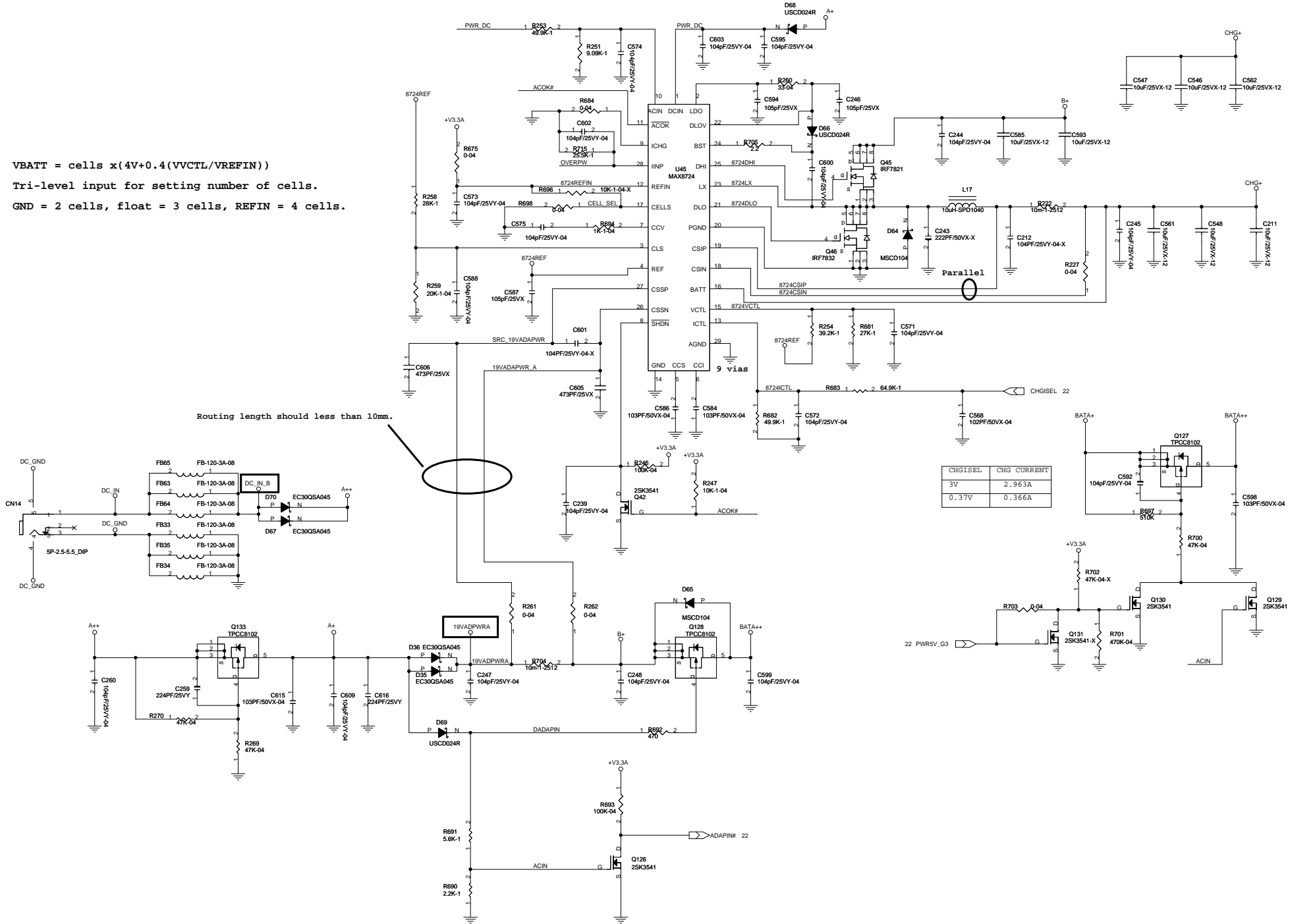


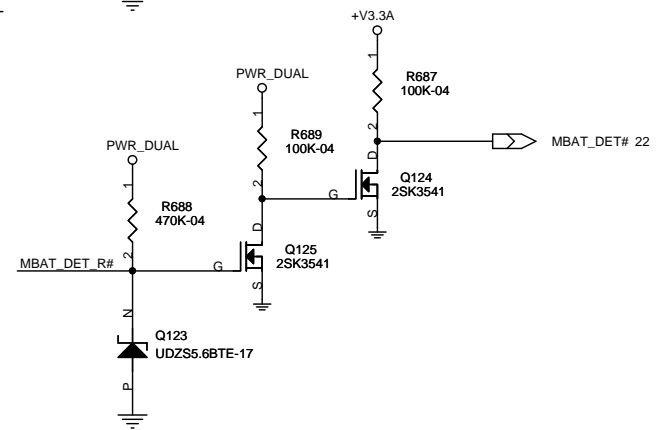
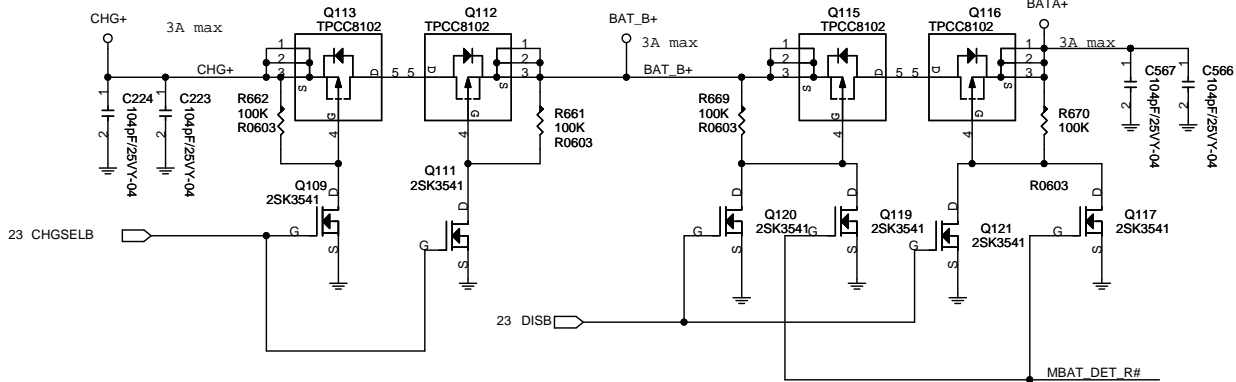
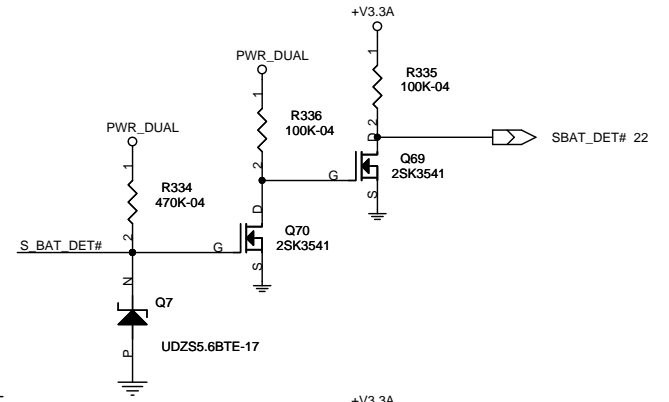
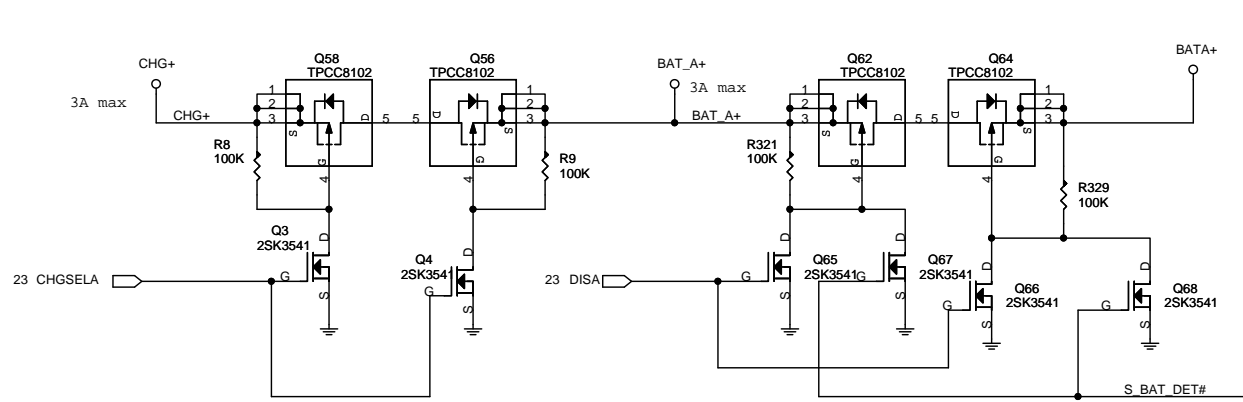
		<b>Winmate Communication INC.</b>	
		Title <b>DDR3 VR 1.5V &amp; 0.75V</b>	
Size Custom	Document Number <b>ID8HH</b>		Rev 100
Date: Friday, January 25, 2013	Sheet 34 of 44		



VBATT = cells x (4V + 0.4 (V<sub>VCTL</sub> / V<sub>REFIN</sub>))  
 Tri-level input for setting number of cells.  
 GND = 2 cells, float = 3 cells, REFIN = 4 cells.

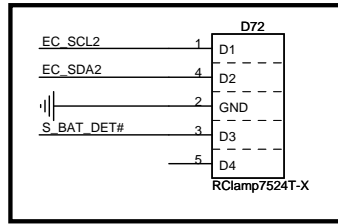
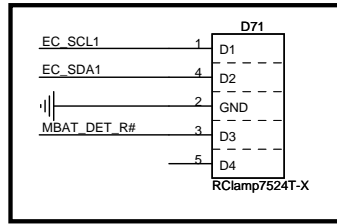
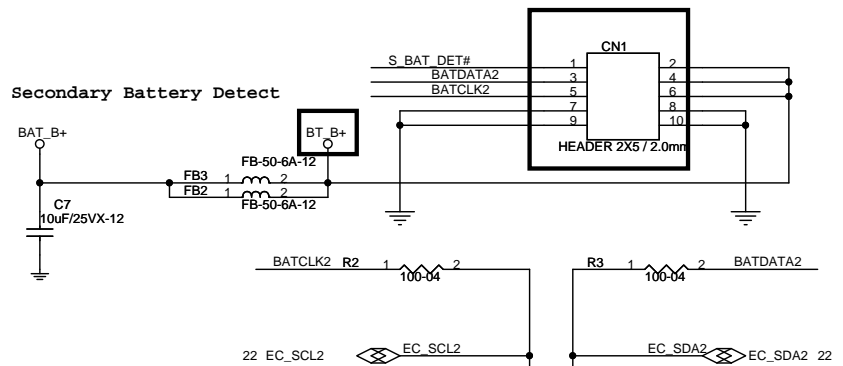
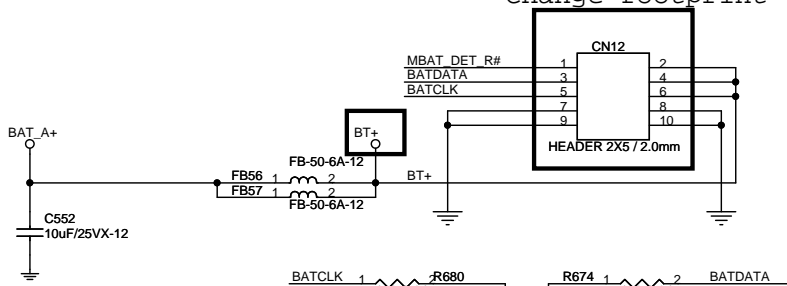
Routing length should less than 10mm.



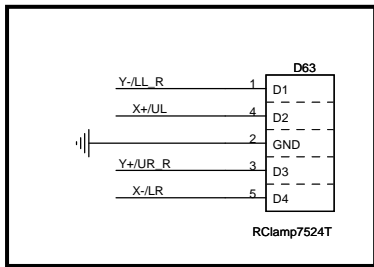


Change footprint

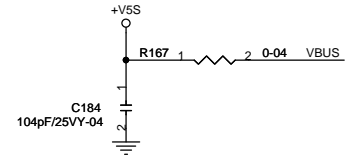
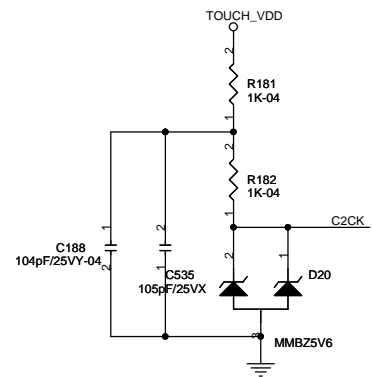
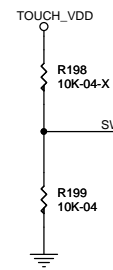
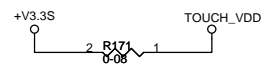
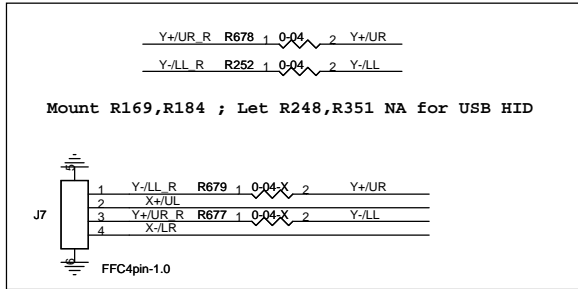
Change footprint



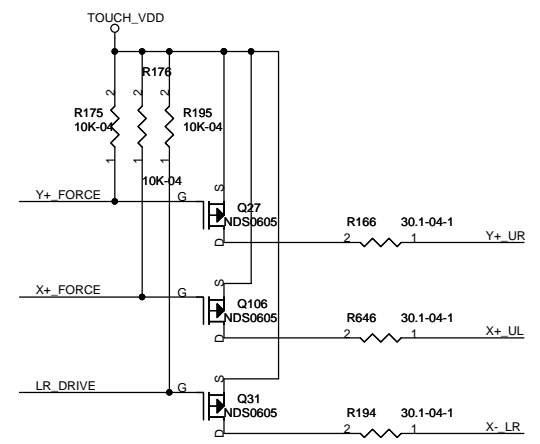
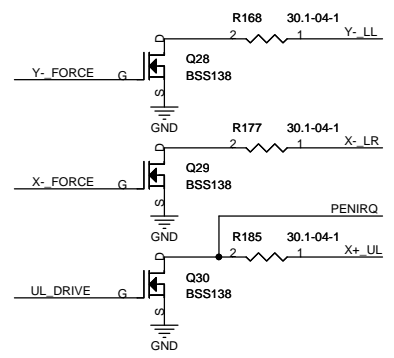
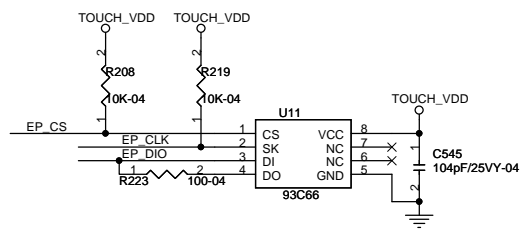
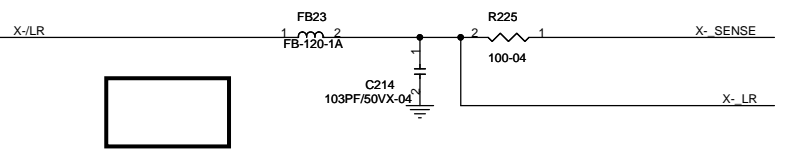
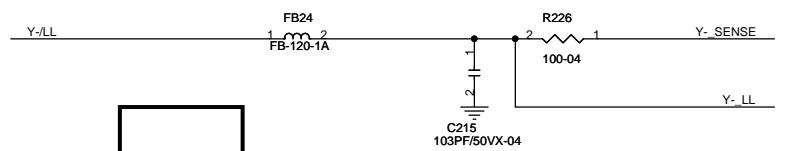
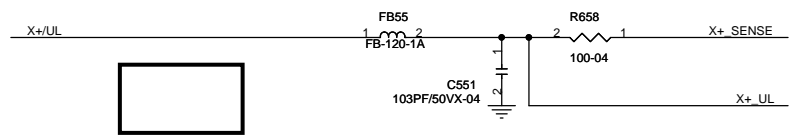
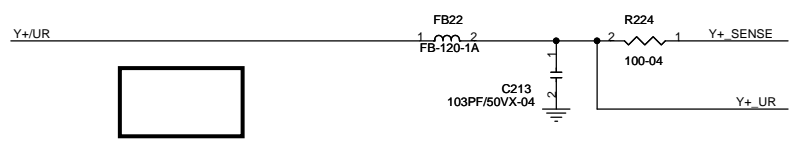
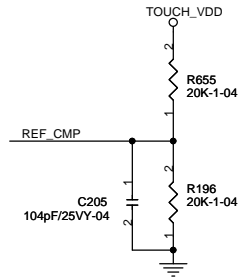
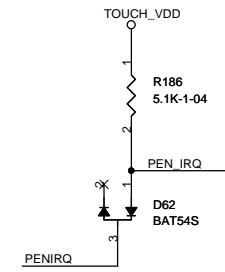
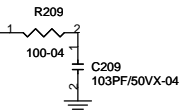
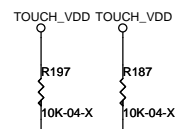
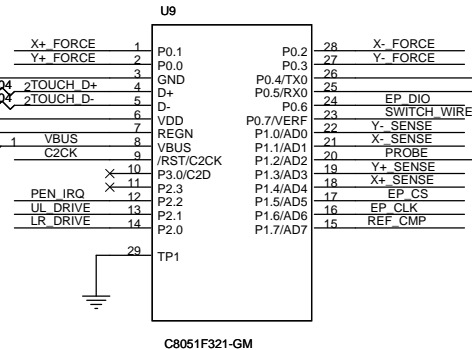
Title			Battery Hotswap		
Size	Document Number	ID8HH		Rev	100
Custom					
Date:	Friday, January 25, 2013	Sheet	36	of	44



TYPE_SW	
0	4-Wire Touch(default)
1	5-Wire Touch

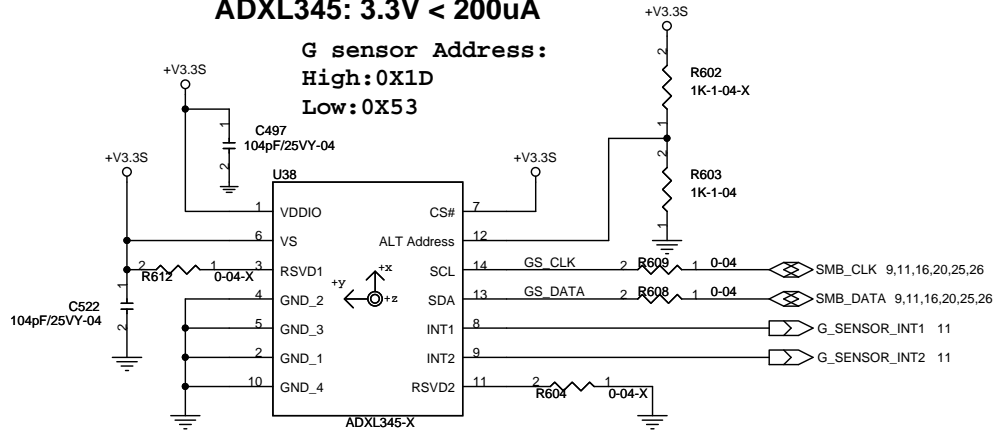


For 3M Touch only



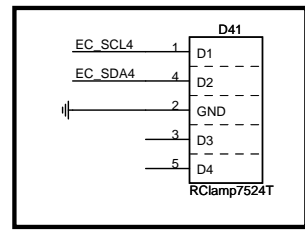
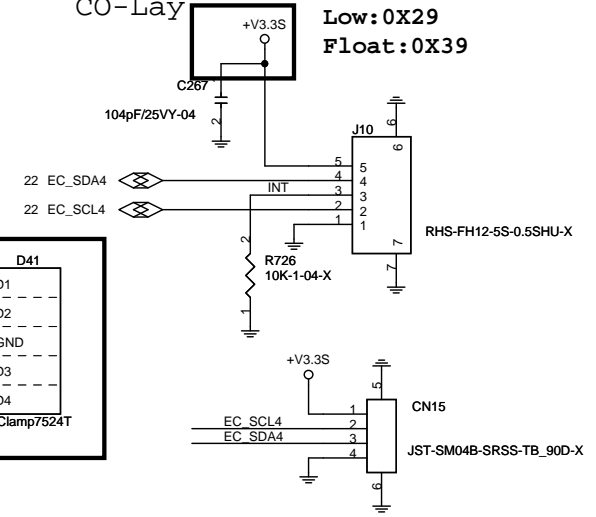
**ADXL345: 3.3V < 200uA**

**G sensor Address:**  
 High: 0X1D  
 Low: 0X53



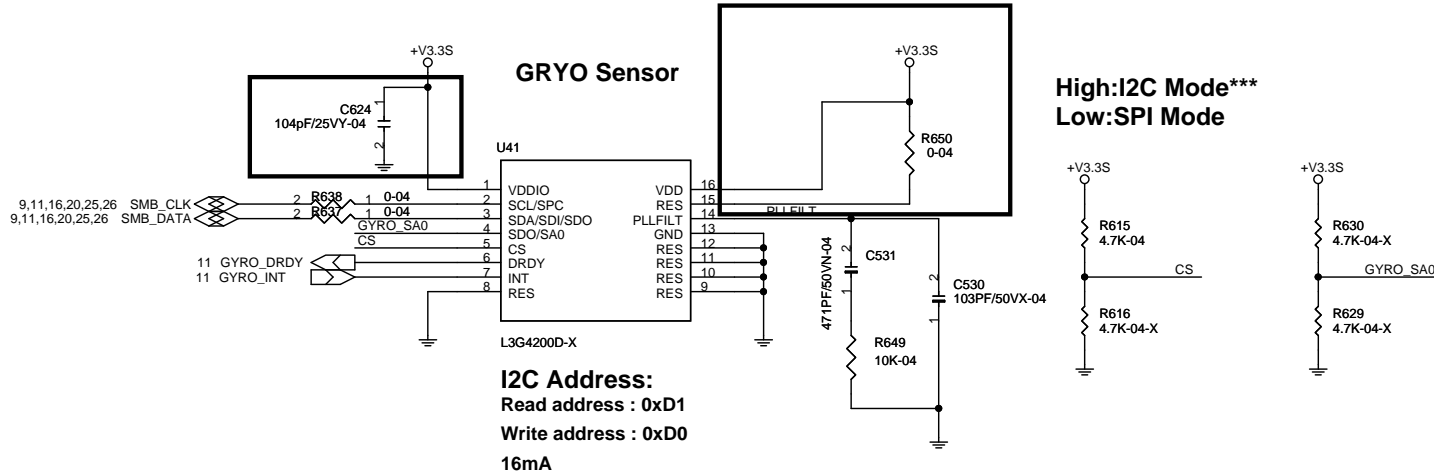
CO-Lay

**Light sensor Address:**  
 High: 0X49  
 Low: 0X29  
 Float: 0X39



**GRYO Sensor**

**High:I2C Mode\*\*\*  
 Low:SPI Mode**



**I2C Address:**  
 Read address : 0xD1  
 Write address : 0xD0  
 16mA



Title		
<b>G&amp;Light&amp;GryoSensor</b>		
Size	Document Number	Rev
B	<b>ID8HH</b>	<b>100</b>
Date:	Friday, January 25, 2013	Sheet 38 of 44

4,11,34,42 SLP\_S4\_N

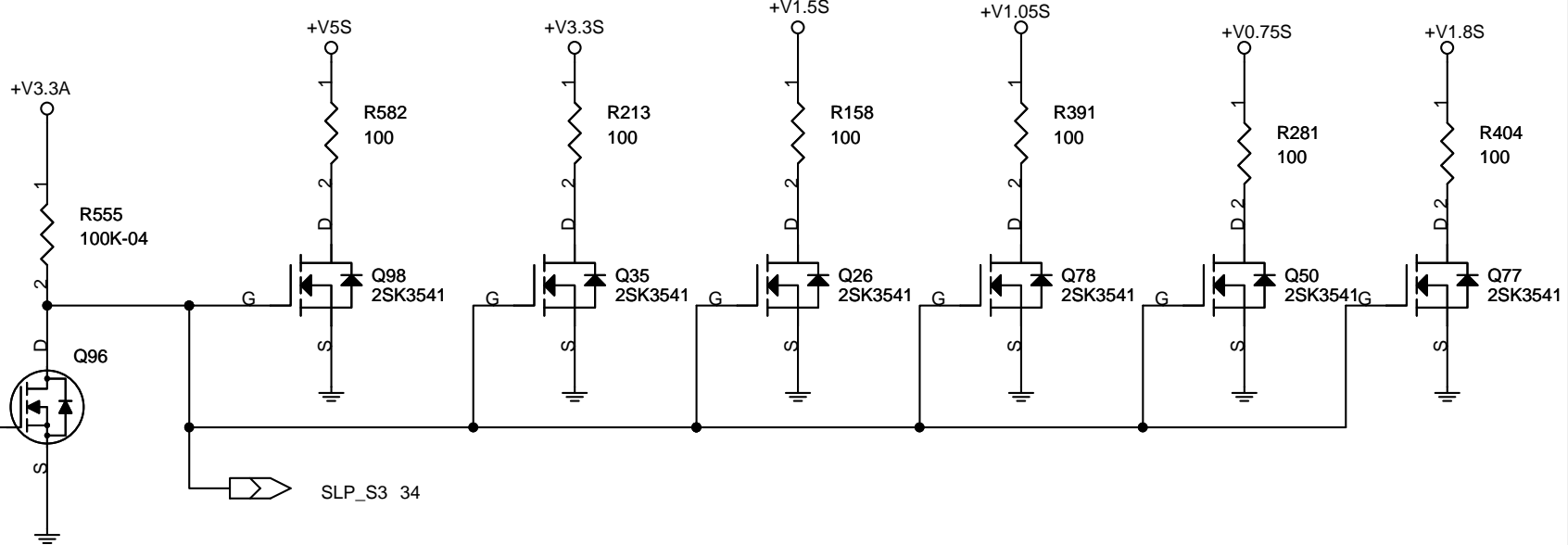


11,22,28,29,33,42 PM\_SLP\_S3#

FDN337N

Q96

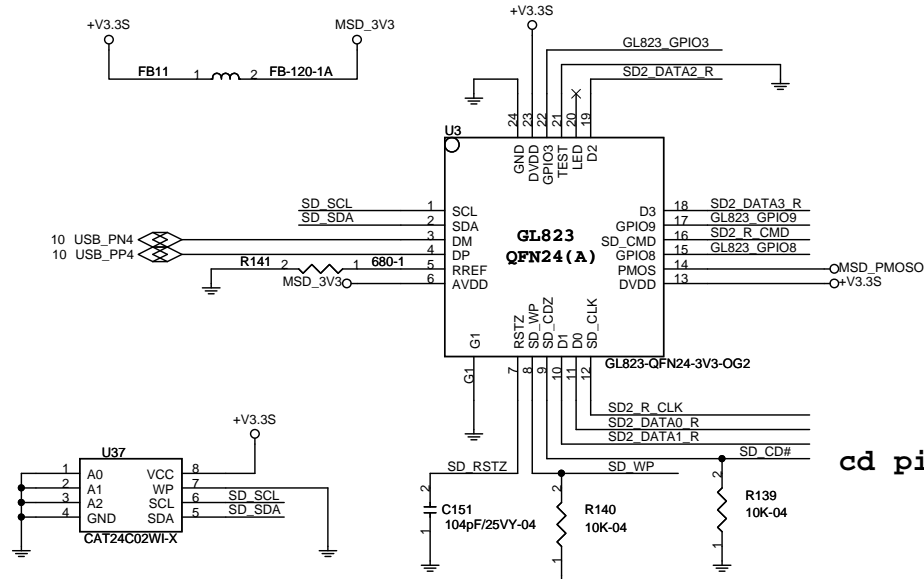
SLP\_S3 34



Winmate Communication INC.

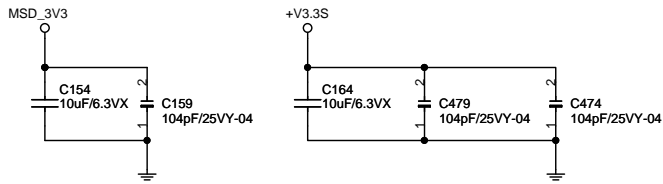
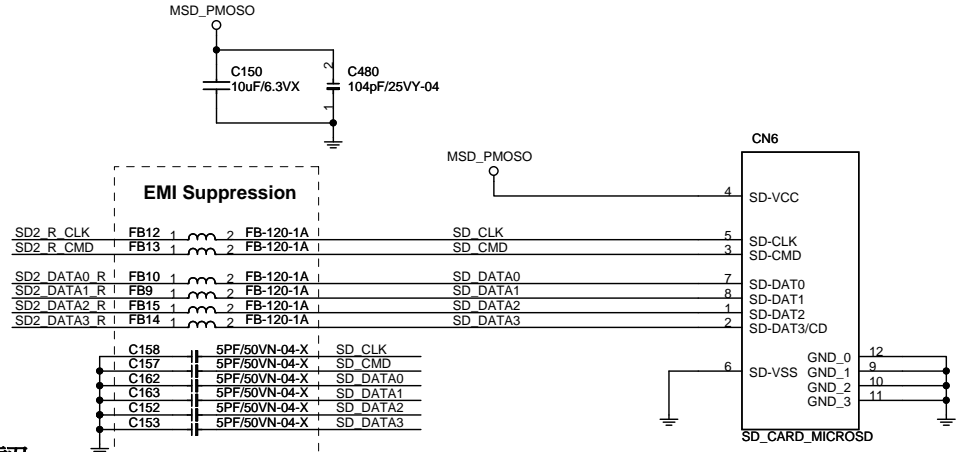
Title		
Discharge Circuit		
Size	Document Number	Rev
Custom	ID8HH	100
Date:	Friday, January 25, 2013	Sheet 39 of 44

# GL823L: Vcc = 50mA

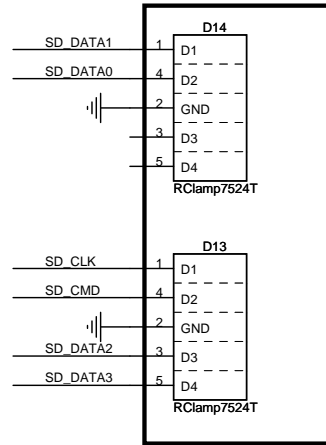


cd pin需確認

When use microSD Connector,  
SD\_WP need to connect to Ground



For ESD, Close to SD connector

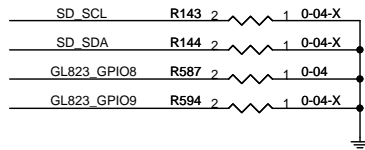


## Application Note

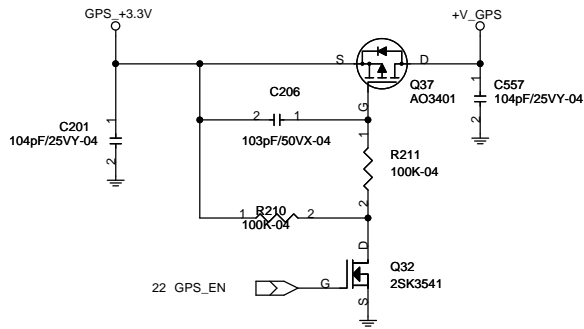
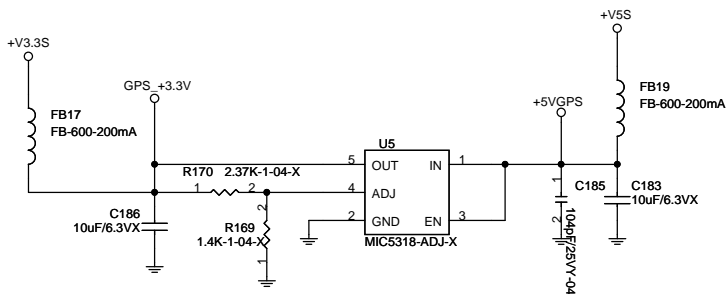
SCL	FUNCTION
NC	Default "Generic STORAGE DEVICE" String
GND	"USB Flash Disk" String

SDA	FUNCTION
NC	Default Support Serial Number
GND	Non Support Serial Number

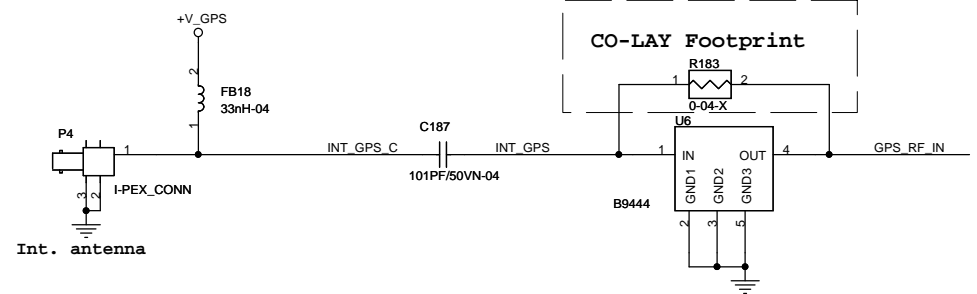
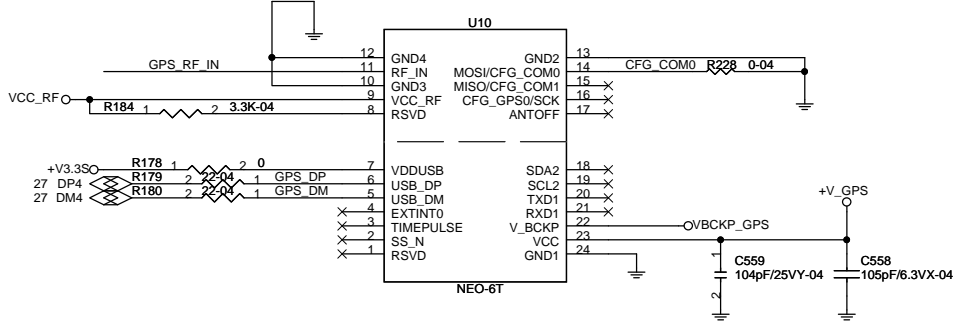
GPIO8	GPIO9	FUNCTION
NC	NC	Default Configuration
NC	GND	Remote wake up enable
GND	NC	Power saving enable
GND	GND	ESD mode enable



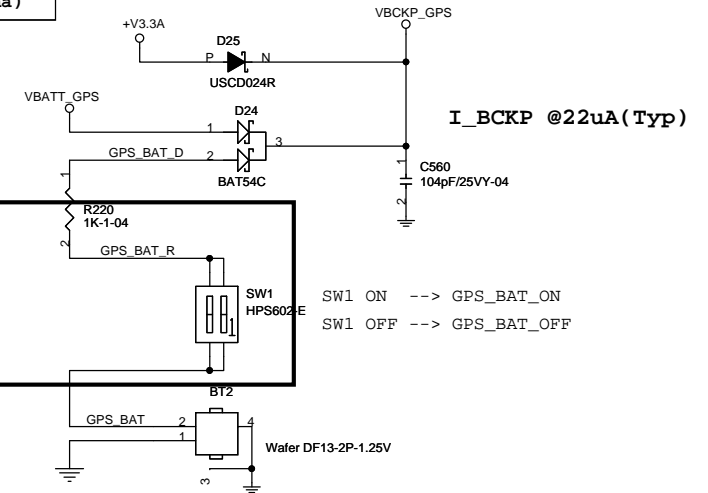
GL823L & SD Card		
Size B	Document Number	Rev 100
ID8HH		
Date: Friday, January 25, 2013	Sheet 40	of 44



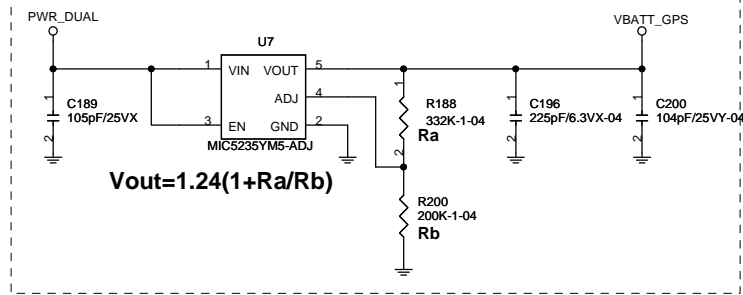
**GPS\_+3.3V @67mA (Max)**



V1	V2	PATH
H	L	J1-J3 (Ext. Antenna)
L	H	J1-J2 (Int. Antenna)



**AGPS option is reserved**

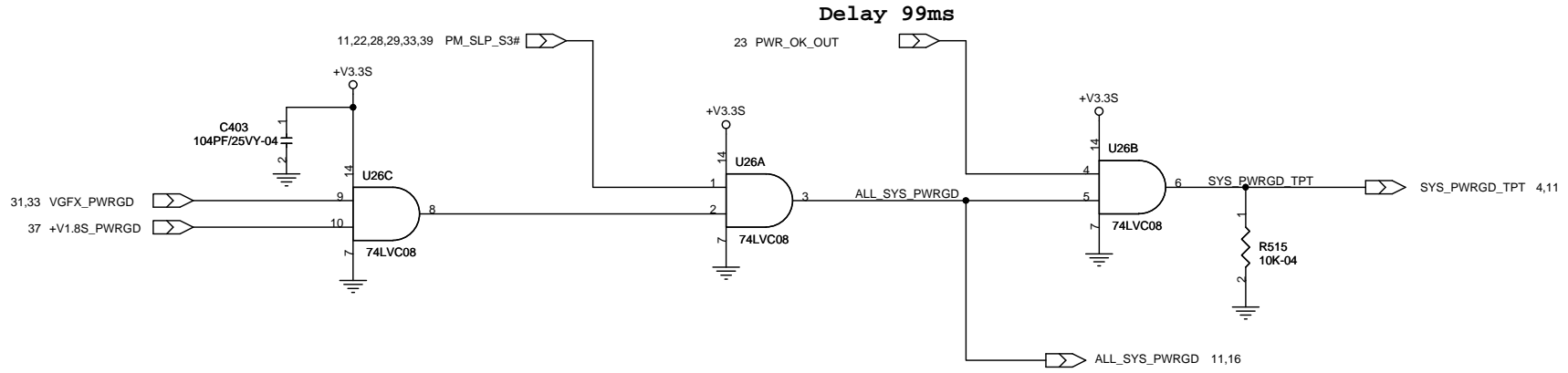


**WINMATE** Winmate Communication INC.

Title: **UBLOX GPS NEO-6Q**

Size: Custom Document Number: **ID8HH** Rev: 100

Date: Friday, January 25, 2013 Sheet 41 of 44



Place all pads together

Power sequence measure points

- 11 ICH\_RSMRST\_N 1 ● PAD17
- 11,22 PM\_PWRBTN# 1 ● PAD18
- 4,11,34,39 SLP\_S4\_N 1 ● PAD19
- 4 M\_DRAM\_PWROK 1 ● PAD20
- PM\_SLP\_S3# 1 ● PAD23
- ALL\_SYS\_PWRGD 1 ● PAD24
- SYS\_PWRGD\_TPT 1 ● PAD21
- 4 DELAY\_VR\_PWRGD\_CDV 1 ● PAD22
- 6,11 PLTRST\_N 1 ● PAD25

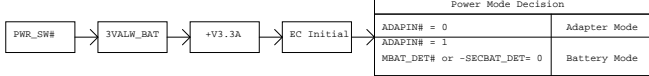


Winmate Communication INC.

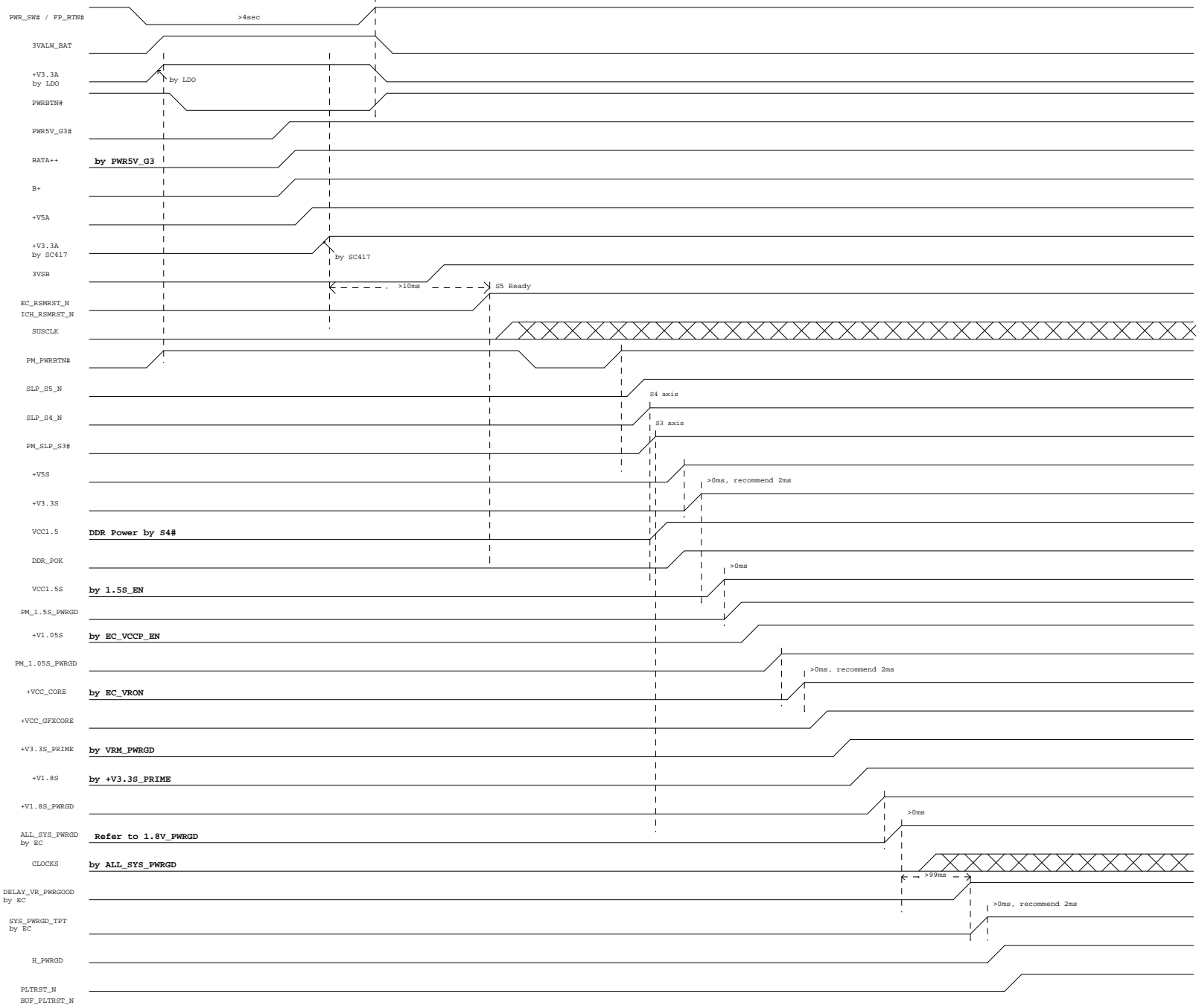
Title			POWER SEQUENCE CONTROL
Size B	Document Number	ID8HH	
Date:	Friday, January 25, 2013	Sheet	42 of 44
		Rev	100

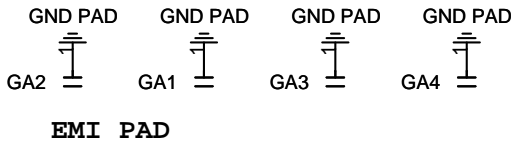
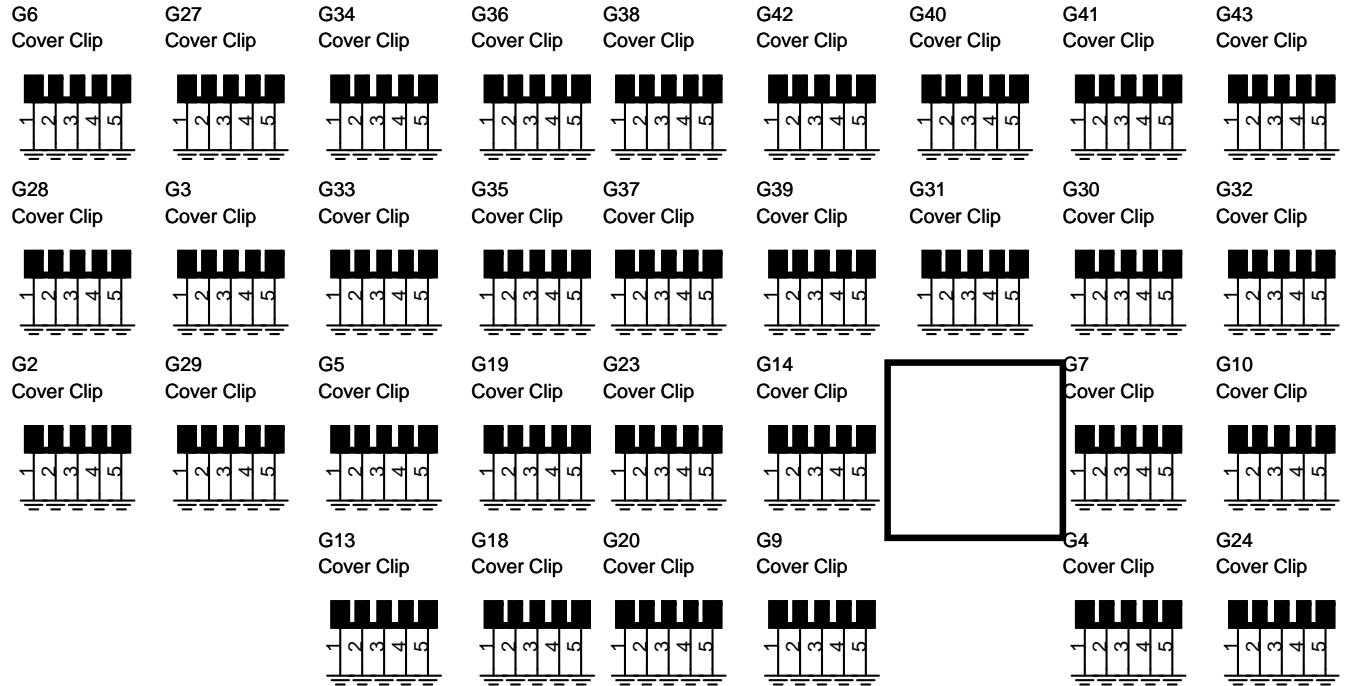
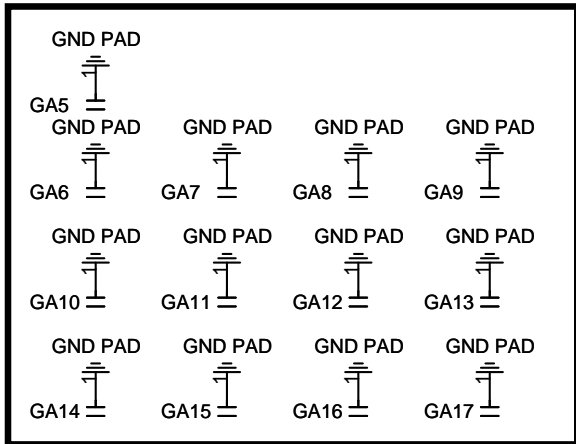
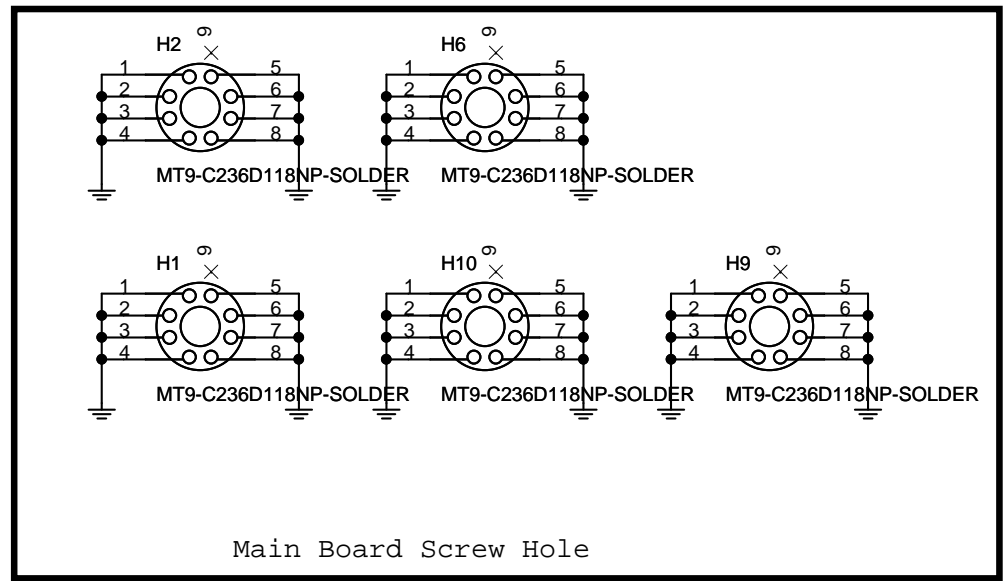
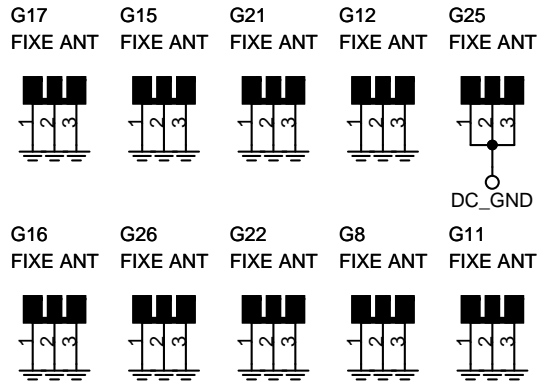


**Power Mode Decision Flow :**



**Power On Sequence Flow :**





**WINMATE** Winmate Communication INC.

Title			
Screw Hole			
Size	Document Number	ID8HH	Rev
A			100
Date:	Friday, January 25, 2013	Sheet	44 of 44