



Z-Wave[®] Controller

ES800ZWD (V3)

Incorporating Z-Wave[®] Devices into the We.R[™] System

Operational Description

The ES800ZWD is a Z-Wave[®] controller dongle integrating into the We.R[™] Control Panel (ES8000GP) to allow incorporation of 3rd party Z-Wave[®] devices into the We.R[™] system and thus integrating Smart Home applications with Essence security system.

It features:

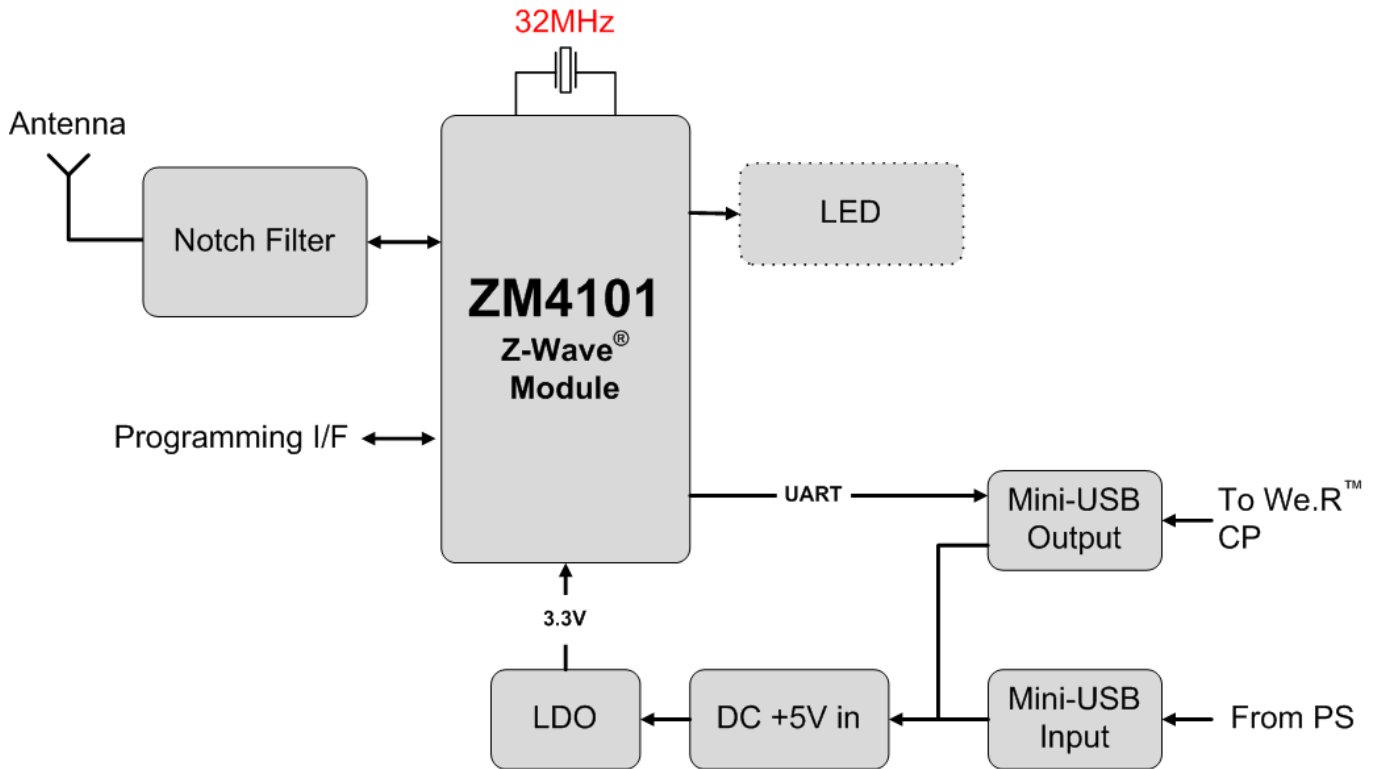
- Single element – A lightweight Z-Wave[®] controller
- Fully compatible with the We.R[™] system
- Powered by the We.R[™] Control Panel's power adaptor
- Low Power consuming
- Simple and fast pairing process
- Supported Z-wave[®] devices – binary switch (on/off/dimmer), thermostat and door lock
- Easy to install
- Utilizes cutting-edge technology
- Radio Modulation, Frequency, Data Rate and Nominal Radio Coverage:
 - 2FSK for 9.6/40 Kbps, 2GFSK for 100 Kbps
 - Main frequency – US 908.40/908.42MHz, EU 868.40/868.42MHz
 - SAW filter – US Center frequency = 908MHz with BW≤20MHz, EU 868MHz with BW≤20MHz
 - Data Rate – 9.6/40 Kbps (NRZ)
 - Nominal Radio Coverage – 400 meters

Certifications and approvals:



For more information, go to: www.essence-grp.com/pages/WeR/Home

© 2013 Essence Security International (E.S.I.) Ltd. Information contained within this document may change without notice



Block Diagram Description

The Control Panel's mains power adapter provides the power directly to the Z-Wave® Controller board and through the board – to the Control Panel.

The board's Z-Wave®-specific micro-controller communicates data with the We.R™ Control Panel through a UART serial port and interacts via the RF notch filter with the Z-Wave® end devices.