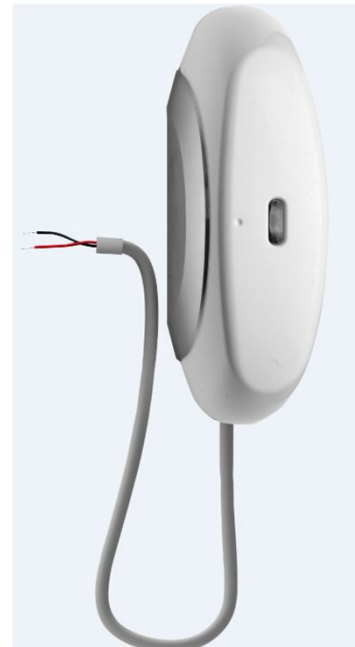




Universal Transmitter

ES800UT



Operational Description

The Universal Transmitter (UT) ES800UT is an interface onto legacy wired devices. It connects with ON/OFF type devices, enabling incorporation of 3rd party wired peripherals.

The Universal Transmitter features:

- Flexible application definition as Security Device, Flood/Fire/Gas detector, Panic, etc.
- Based on advanced proprietary technology
- Requires one (1) AA-size alkaline batteries
- Dual-LED (green/red) for open/close status indication
- Provide long operation period while powered by a single standard AA-size Alkaline
- Support automatic over-the-air software upgrade programming and configuration
- Fastened to the wall/frame by double-sided tape or optional screws

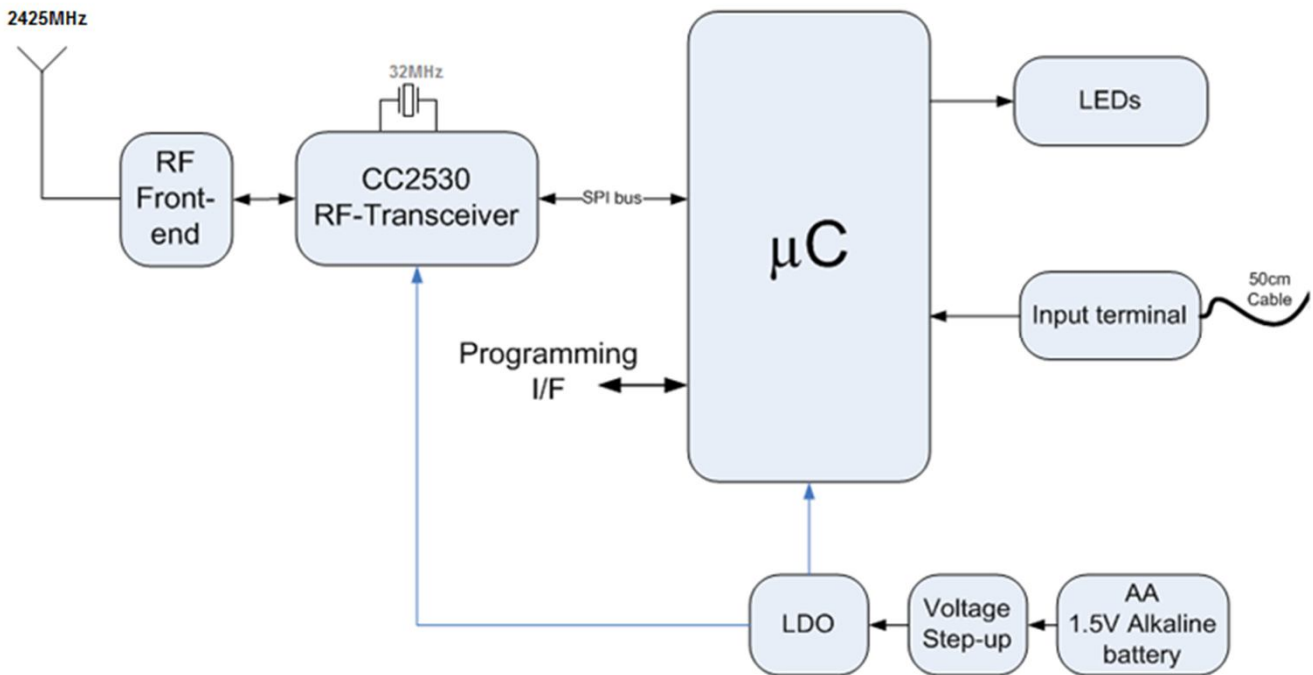
- With regards to communications:
 - Up to 500m RF range (open air)
 - ECOP bi-directional radio protocol (onboard)
 - Modulation and Frequency: DSSS, 2.4GHz

- With regards to security:
 - Data security is ensured with 128-bit AES encryption
 - Tamper alarm – when the Transmitter unit is ripped off its base
 - Unique electronic serial number

Certifications and approvals:



For more information, go to: www.essence-grp.com/pages/WeR/Home



Block Diagram Description

The single AA battery provide power to the step-up + LDO pair. This produce the right regulated voltage needed by the entire circuit.

The main micro-controller gets data from the 3rd party sensor and tamper switch.

It interacts with the RF-transceiver chip.

The product have dual-LED indication for open status (green) and close status (red)