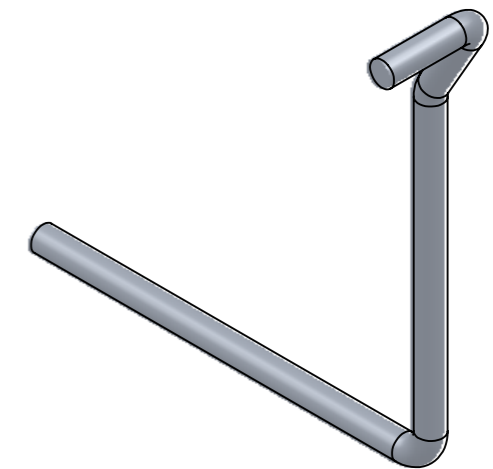
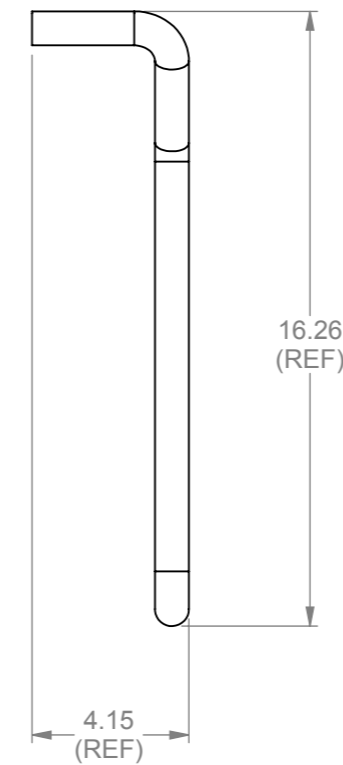
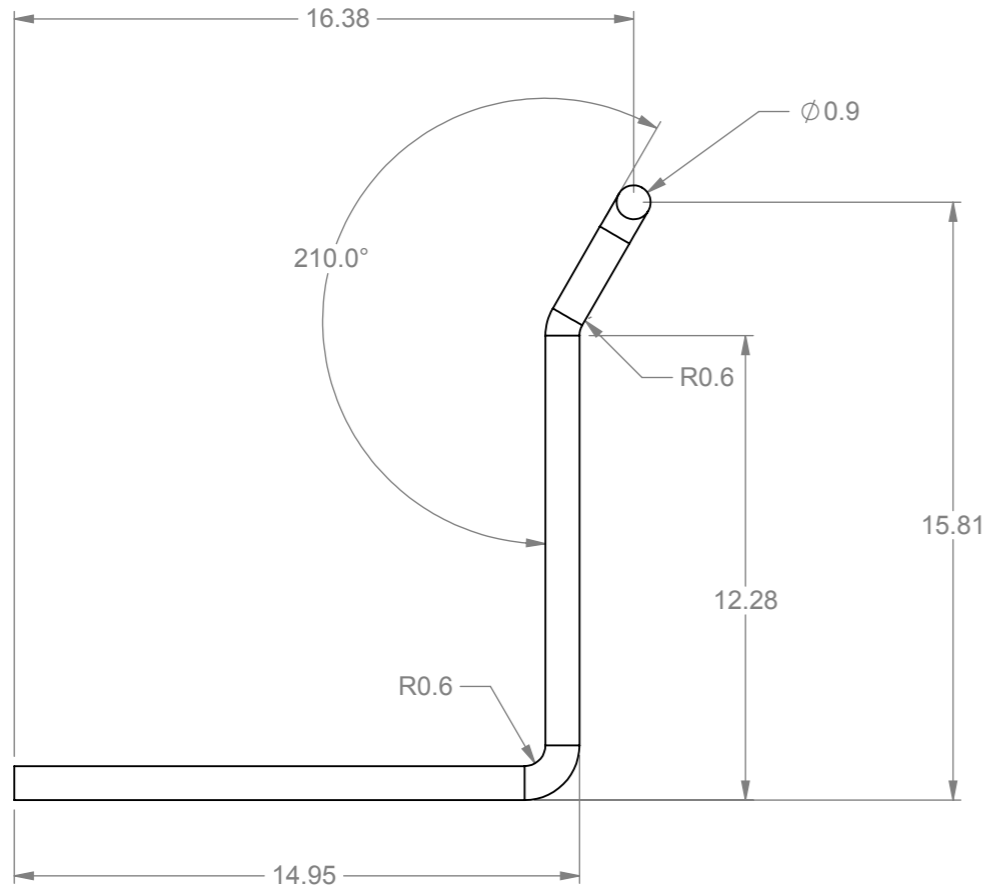


**NOTES:**

1. ▲ INDICATES CHANGES IN THIS REVISION.  
★ INDICATES CRITICAL SPECS/DIMS TO BE INSPECTED IN EACH LOT.  
■ INDICATES Cpk DIMENSIONS.
2. REFER TO 3D CAD DATA FILE FOR FULL DEFINITION OF THIS PART.
3. MATERIAL: SEE TABLE.
4. COLOR: SEE TABLE.
5. THIS PART MUST COMPLY WITH RoHS STANDARDS.
6. NO CHANGE ALLOWED FOR PRODUCTION MATERIAL, PROCESS OR MANUFACTURING LOCATION UNLESS OBTAIN ESI WRITTEN APPROVAL.

REVISIONS HISTORY				
ECN No.	REV.	DESCRIPTION	DATE	MODIFIED BY
	000	NUMERIC RELEASE	05/08/2012	S.MERON
	B00	UPDATE ANTENNA SHAPE, CHANGE DIM	28/10/2012	S.MERON



<b>MATERIAL</b>
SOURCE:
PHOSPHORE BRONZE TOTAL WIRE LENGTH: 33.2MM
PLATING
<b>PLATING NICKEL 5µM</b>

ANSI-METRIC THIRD ANGLE PROJECTION	NAME	SIGN.	DATE
INTERPRET DRAWING IN ACCORDANCE WITH ISO STANDARDS	DESIGNED	S.MERON	
UNLESS OTHERWISE SPECIFIED DIMENSION ARE IN MILLIMETERS	DRAWN	S.MERON	
	CHECKED	A.BOIM	
GENERAL TOLERANCES:	MODEL FILE NAME: M800TR5_2.4GHZ_RF-ANTENNA		
X = ±0.3	DO NOT SCALE THIS DRAWING		
XX = ±0.10	© 2012 BY ESSENCE GROUP. WHO OWNS THIS DOCUMENT AND THE CONFIDENTIAL AND PROPRIETARY INFORMATION CONTAINED HEREIN. YOU MAY NOT DISCLOSE OR DUPLICATE THIS DOCUMENT IN ANYWAY WITHOUT PRIOR WRITTEN CONSENT OF ESSENCE GROUP. NOR USE IT FOR ANY UNAUTHORIZED PURPOSE.		
ANGLES = ±0.5°			

		<b>9ggYbW GROUP</b> 12 Abba Even Avenue P.O. Box 2073 Herzliya, 46120	
TITLE		M800TR5 2.4GHZ RF ANTENNA	
SIZE	DWG NO.	REV.	
A3	MTP122-001	B00	
SCALE 2:1	DATE 28/10/2012	SHEET 1 OF 1	