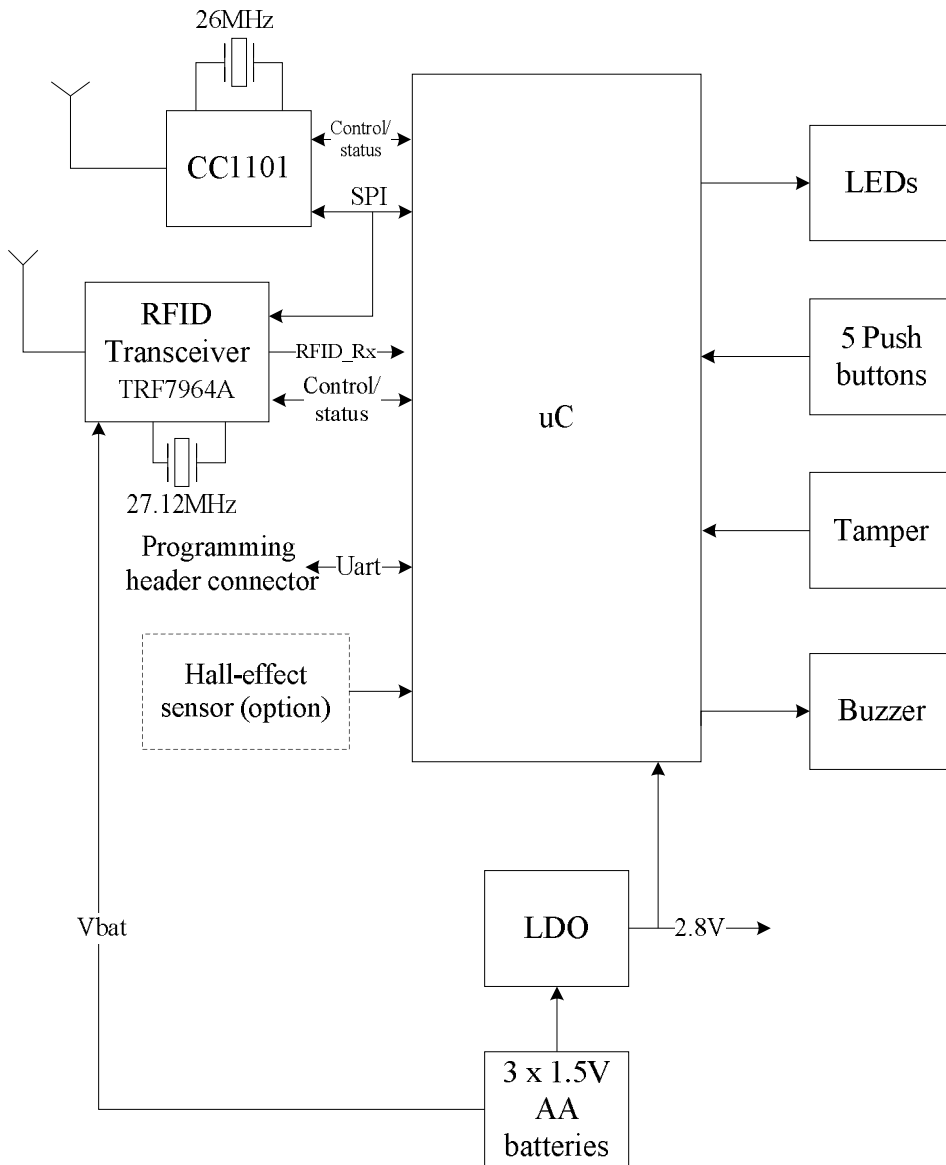


# Tag Reader

ES700TR5

Wireless Access Control RFID Tag Reader with 5 Buttons



## *Block Diagram Description*

The ES700TR5 requires 3x1.5V AA Alkaline (non-rechargeable batteries).

The ES700TG Tag requires no battery, due to its RFID passive technology.

The ES700TR5 has a range of 500 meters (1640 feet).

The ES700TR5 has four red /green LEDs. The LEDs can be configured to identify specific state. The light around the perimeter of the buttons can be either red or green depending whether it is an approve (green) or deny (red) indication.

The main micro-controller gets data from the RFID chip, buttons and tamper switch.

Modulation and Frequency: BFSK , 868.3 for Europe MHz or 916.5MHz for USA

RFID modulation: ASK, 13.56MHz



Essence Security International (E.S.I.) Ltd.  
[www.essence-grp.com](http://www.essence-grp.com) +972-73-244-7777 [info@essence-grp.com](mailto:info@essence-grp.com)