



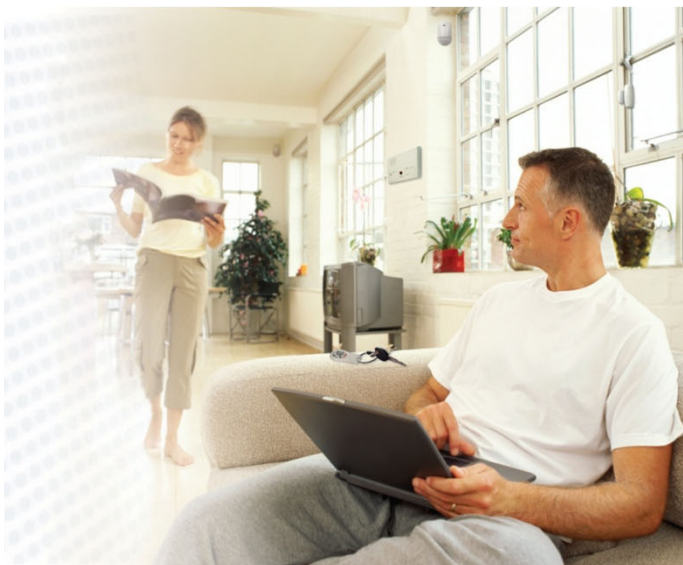
part of the **Essence Group**

# Panic Button

ES700SPB

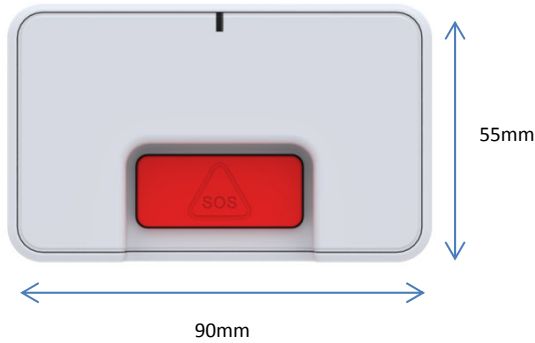
*S.O.S. Button for Retail Locations  
and Small/Medium-sized Enterprises*

- ✓ Sends a panic message to the central monitoring station for further action
- ✓ Fully-supervised device
- ✓ For shops, offices or private homes



*The ES700SPB Panic Button  
seamlessly integrates with the  
EverGuard and EverGuard Express  
control panels and other products  
from Essence Security*

*With millions of systems and security peripherals installed internationally, Essence Security is a technological and market leader in the field of advanced security solutions for homes, offices and full-service central monitoring stations*



## ES700SPB Panic Button

### DESCRIPTION

- When the panic button is pressed, a message is immediately sent to the Central Monitoring Station (CMS).
- Central Service response can be configured to various parameters and rules and corresponding actions

### WIRELESS

- Bi-directional: End-to-End Bi-Directional ESI protocol
- Advanced radio supervision algorithm
- Up to 700 meters RF range (open air)
- Modulation and Frequency: BFSK , 868.3 MHz (Europe) or 916.5 MHz (US)
- Encoding: 32-bit ID, over 4 billion combinations

### POWER CONSUMPTION

- Long operation period (over 36 months) without external power source
- Uses one 3V CR123A Lithium Battery

### SIZE & WEIGHT

- Size:  
H-25mm/ L-55mm/ W-90mm
- Weight:  
64 gr. + 17 gr. (battery)

### ENVIRONMENTAL

- Operating Ambient Temperature range  
-5° - 55° Celsius
- Humidity: Up to 95% non condensing

### CERTIFICATIONS AND APPROVALS

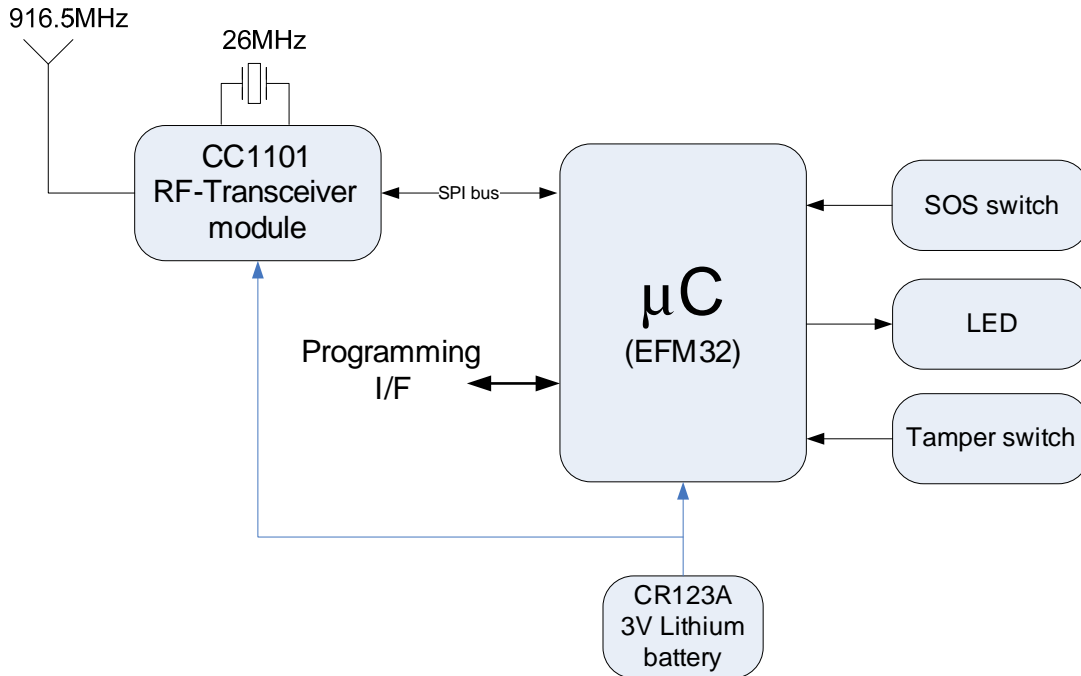
- CE: CE mark, EMC/EMI according to ETSI EN 301 489-4, ETSI EN 301 489-1, EN 50130-4:1996, EU Directive 1999/5/EC for R&TTE
- Radio: ETSI EN 300 220-3, ETSI EN 300 220-1, CEPT/ERC Recommendation 70-03, EN 50131-5-3:2005 + A1:2008
- Safety: EN/IEC 60950-1, TUV , NOM
- Security & Alarm systems: EN 50131-1:2006 + A1:2009 Class-II Grade-2, EN 50131-6:2008 Type-C
- Environmental Regulation: RoHS 2002/95/EC
- Reliability (Mechanical & Environmental conditions): EN 50130-5:1999 and IEC 60068
- Manufacturing and Materials Standards: ISO 9001:2008 , ISO 14000

### *Certifications and approvals:*



Essence Security International (E.S.I.) Ltd.

[www.essence-grp.com](http://www.essence-grp.com) +972-73-244-7777 [info@essence-grp.com](mailto:info@essence-grp.com)



### Block Diagram Description

Transmit a panic (SOS) message when pressed.

ES700SPB is a mountable solution that has user distress pushbutton.

Alerts are confirmed with LED indication.

In security application (and systems), send out a panic alarm when the pushbutton is pressed, unnoticeable to intruders (silent). This functionality is required mainly in shops and other retail environments.

In Healthcare application (and systems), that pressing trigger a voice announcement (where applicable) and medical emergency alarm.



Essence Security International (E.S.I.) Ltd.

[www.essence-grp.com](http://www.essence-grp.com) +972-73-244-7777 [info@essence-grp.com](mailto:info@essence-grp.com)