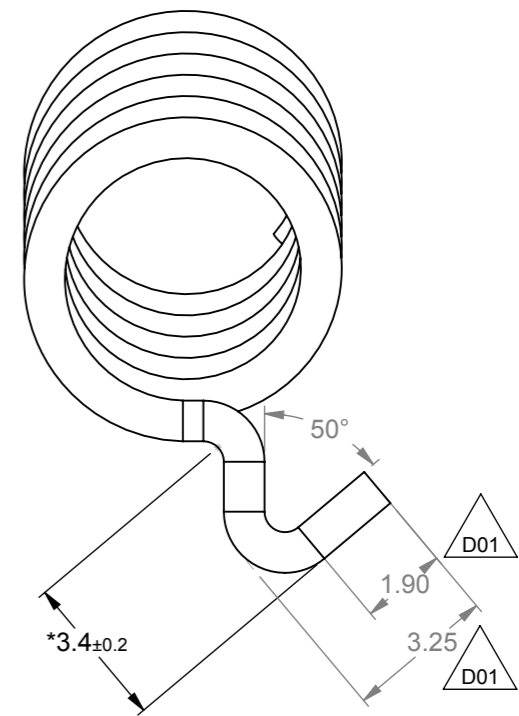
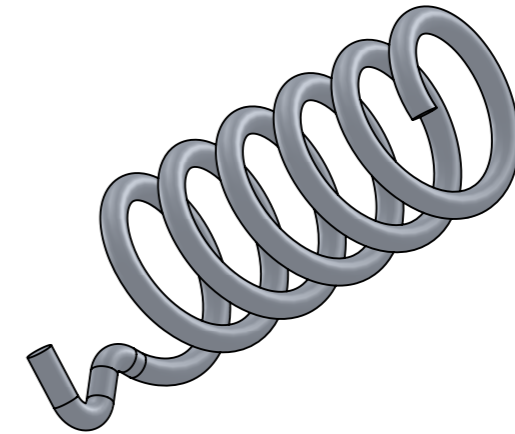
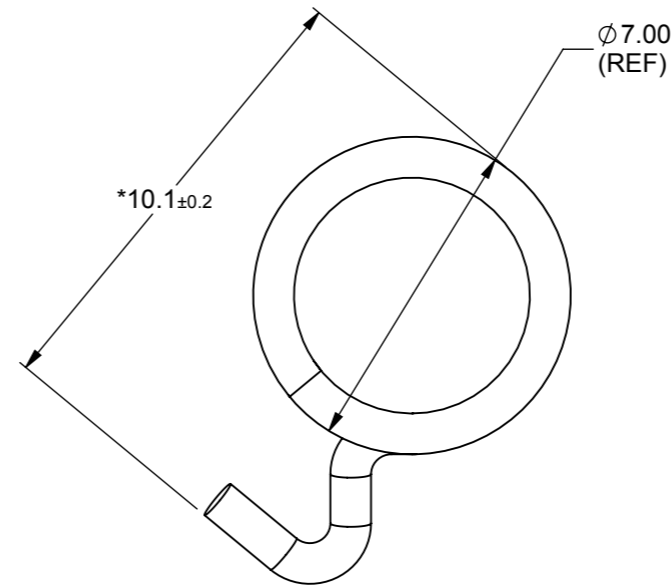
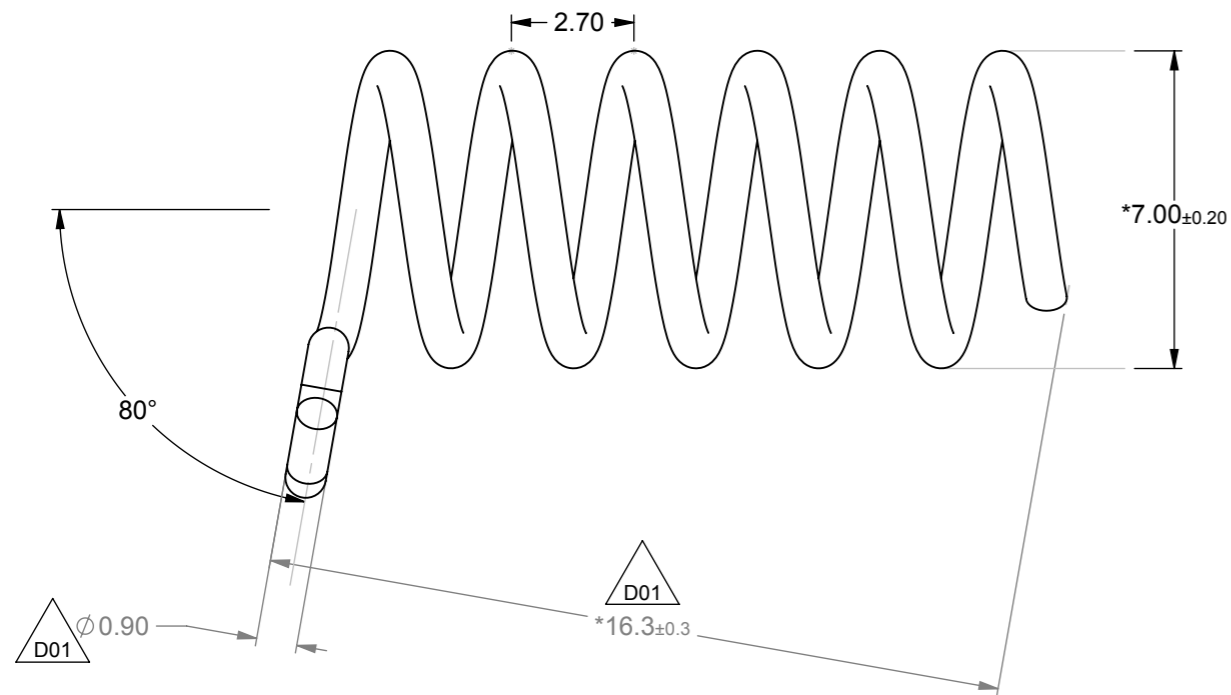


NOTES:

- ▲ INDICATES CHANGES IN THIS REVISION.
★ INDICATES CRITICAL SPECS/DIMS TO BE INSPECTED IN EACH LOT.
■ INDICATES Cpk DIMENSIONS.
- REFER TO 3D CAD DATA FILE FOR FULL DEFINITION OF THIS PART.
- MATERIAL: SEE TABLE.
- COLOR: SEE TABLE.
- THIS PART MUST COMPLY WITH RoHS STANDARDS.
- NO CHANGE ALLOWED FOR PRODUCTION MATERIAL, PROCESS OR MANUFACTURING LOCATION UNLESS OBTAIN ESI WRITTEN APPROVAL.

REVISIONS HISTORY		DATE	MODIFIED BY
ECN No.	REV.	DESCRIPTION	
	A00	PRODUCT RELEASE	
	B00	PRODUCT RELEASE CHANGE MATERIAL DEFINITION AND ANGEL	31/3/2011 JACOB
	C00	SHORTEN ANTENNA LENGTH BY 2mm	25/05/2011 JACOB
	D00	UPDATE DRAWING FORMAT AND NOTATIONS	14/03/2013 IGAL
ECN04718	D01	ADD TOTAL LENGHT, ADD WIRE DIA, ADD BENDING DIM	31/08/2014 SERGEY M



MATERIAL	
SOURCE:	
PHOSPHOR BRONZE TOTAL WIRE LENGHT: 22.5MM	
PLATING	
NICKEL SULFAMATE 3-5um	

ANSI-METRIC THIRD ANGLE PROJECTION	NAME	SIGN.	DATE
INTERPRET DRAWING IN ACCORDANCE WITH ISO STANDARDS	DESIGNED	SERGEY	
UNLESS OTHERWISE SPECIFIED DIMENSION ARE IN MILLIMETERS	DRAWN	IGAL	
GENERAL TOLERANCES: X = ± 0.3 XX = ± 0.10 ANGLES = ± 0.5°	CHECKED	SERGEY	
DO NOT SCALE THIS DRAWING	MODEL FILE NAME:	ES700MGLS_RF-ANTENNA	

TITLE		
ES700MGLS MGLS ANTENNA		
SIZE	DWG NO.	REV.
A3	MTP720-001	D01
SCALE 2:1	DATE 31/08/2014	SHEET 1 OF 1