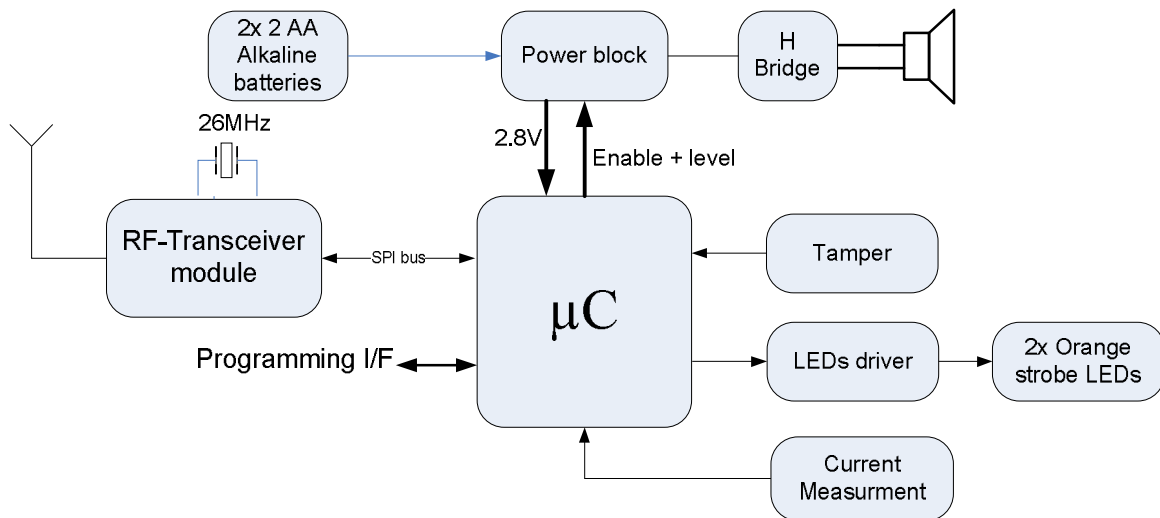


Indoor Siren

ES700ISN

Indoor, bi-directional, battery-operated RF siren



Block Diagram Description

The 4 AA batteries provide the power directly to the board components and through a switched LDO to the speaker.

The main micro-controller gets data from a tamper switch and interacts with the RF-transceiver chip in the RF-module.

It also control the activation and the volume of the siren emitting speaker.

The product have a red indication LED.

Modulation and Frequency: BFSK , 868.3 for Europe MHz or 916.5MHz for USA