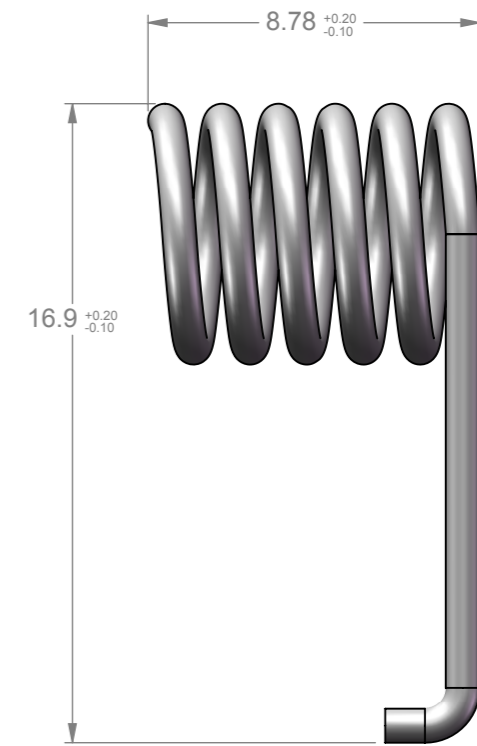
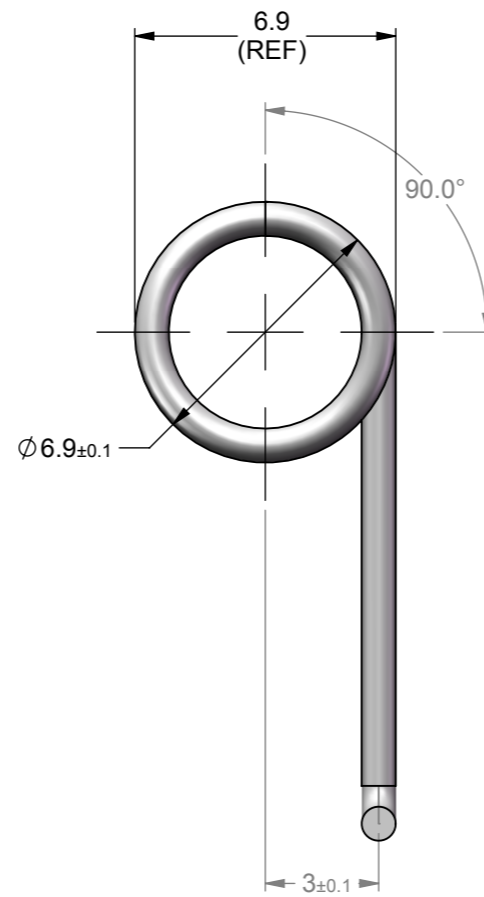
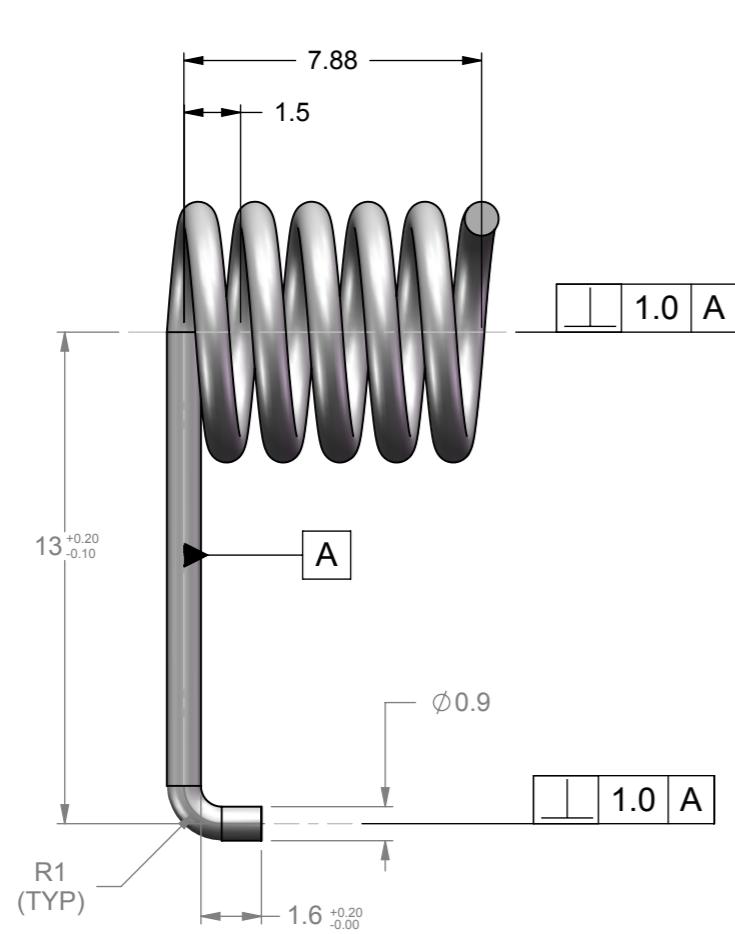


NOTES:

1. ▲ INDICATES CHANGES IN THIS REVISION.
★ INDICATES CRITICAL SPECS/DIMS TO BE INSPECTED IN EACH LOT.
■ INDICATES Cpk DIMENSIONS.
2. REFER TO 3D CAD DATA FILE FOR FULL DEFINITION OF THIS PART.
3. MATERIAL: SEE TABLE.
4. COLOR: SEE TABLE.
5. THIS PART MUST COMPLY WITH RoHS STANDARDS.
6. NO CHANGE ALLOWED FOR PRODUCTION MATERIAL, PROCESS OR MANUFACTURING LOCATION UNLESS OBTAIN ESI WRITTEN APPROVAL.

REVISIONS HISTORY				
ECN No.	REV.	DESCRIPTION	DATE	MODIFIED BY
ECN04535	C01	UPDATE DWG TEMPLATE, ADD GEOMETRIC TOLERANCES, ADD MATERIAL	05/08/2012	S.MERON



HELIX PROPERTIES	
PITCH	1.50mm
REVOLUTIONS	5.25
HEIGHT	7.88mm
DIA	6.00mm

MATERIAL
SOURCE:
PHOSPHORE BRONZE WIRE, DIA 0.90mm TOTAL WIRE LENGTH: 115MM
PLATING
ELECTRO-CHEMICAL PLATING, NICKEL 5µm

ANSI-METRIC THIRD ANGLE PROJECTION	NAME	SIGN.	DATE
INTERPRET DRAWING IN ACCORDANCE WITH ISO STANDARDS	DESIGNED	S.MERON	
UNLESS OTHERWISE SPECIFIED DIMENSION ARE IN MILLIMETERS	DRAWN	S.MERON	
	CHECKED	A.BOIM	
GENERAL TOLERANCES:	MODEL FILE NAME:		
X = ± 0.3	ES6500VSF_RF-ANTENNA		
XX = ± 0.10	DO NOT SCALE THIS DRAWING		
ANGLES = ± 0.5°	© 2012 BY ESSENCE GROUP. WHO OWNS THIS DOCUMENT AND THE CONFIDENTIAL AND PROPRIETARY INFORMATION CONTAINED HEREIN. YOU MAY NOT DISCLOSE OR DUPLICATE THIS DOCUMENT IN ANYWAY WITHOUT PRIOR WRITTEN CONSENT OF ESSENCE GROUP. NOR USE IT FOR ANY UNAUTHORIZED PURPOSE.		

		9ggYbW GROUP 12 Abba Even Avenue P.O. Box 2073 Herzliya, 46120	
TITLE			
ES6500VSF RF ANTENNA, D			
SIZE	DWG NO.	REV.	
A3	MTP704-002	C01	
SCALE 2:1	DATE 09/02/2014	SHEET 1 OF 1	