



part of the **Essence Group**



# EverGuard-Care Control Panel

**ES6502HC**

*Personalized Home Care Solution*

EverGuard-Care is a Personalized Home Care Solution designed for the growing population, disabled and people that suffer from dementia and that wishes to “age peacefully at home”.

- Long-Range Deployments** - over 2000 feet RF reach
- Remote Monitoring of System Status** - temperature report embedded in every peripheral
- Communication Modules- PSTN**
- Reduced Shipment Costs** - compact, light-weight design
- Less Maintenance** - Long battery life



*A discreet and passive monitoring of the individual's activities of daily living (ADL) assuring his/her wellbeing.*

*The system automatically learns the individual behavior and notifies upon any abnormality.*

*With millions of systems and peripherals installed internationally, Essence Security is a technological and market leader in the field of advanced machine to machine solutions for homes, offices and full-service central monitoring stations*

## ES6502HC Control Panel Specifications

### Wireless communication with the peripherals:

- Up to 1000 meters RF range (open air)
- End-to-end bidirectional ESI protocol
- Advanced radio supervision algorithm
- Modulation: BFSK
- Frequencies: 868.3 MHz or 916.5 MHz
- Encoding: 32-bit ID, over 4 billion combinations

### High quality, long range voice verification:

- Two-way Audio
- Enhanced echo canceling DSP-based algorithm
- Speaker programmable gain
- Ultra sensitive microphone

### Safety Functionality:

- Various Detectors (Water, Smoke, Gas, etc.)
- Extreme Temperature Detection
- Various panic (SOS) devices

### Video (external camera):

- High Resolution & Quality Color motion JPEG Video\* or JPEG Stills

### Remote Control:

- Automatic Software Upgrade
- Remote Programming and Configuration

### Electrical Power Supply:

- Input: 100-240 VAC, 50/60Hz - external AC adaptor
- Li-Polymer rechargeable backup battery for up to 36 hours - 3.7V, 1.4Ah



### Communication Module:

- PSTN phone line interface

### Communication Modules:

- Interfacing protocols: SIA or Essence Proprietary Protocol (ESI)

### Physical:

- Dimensions: 127x 127 x 72 mm (L x W x D)
- Weight: 560 grams (incl. battery)
- Color: White & Grey
- Mounting: Desktop, Wall, with Bracket

### Environmental:

- Operating Temperatures: 0°~ 49° Celsius

### General Features:

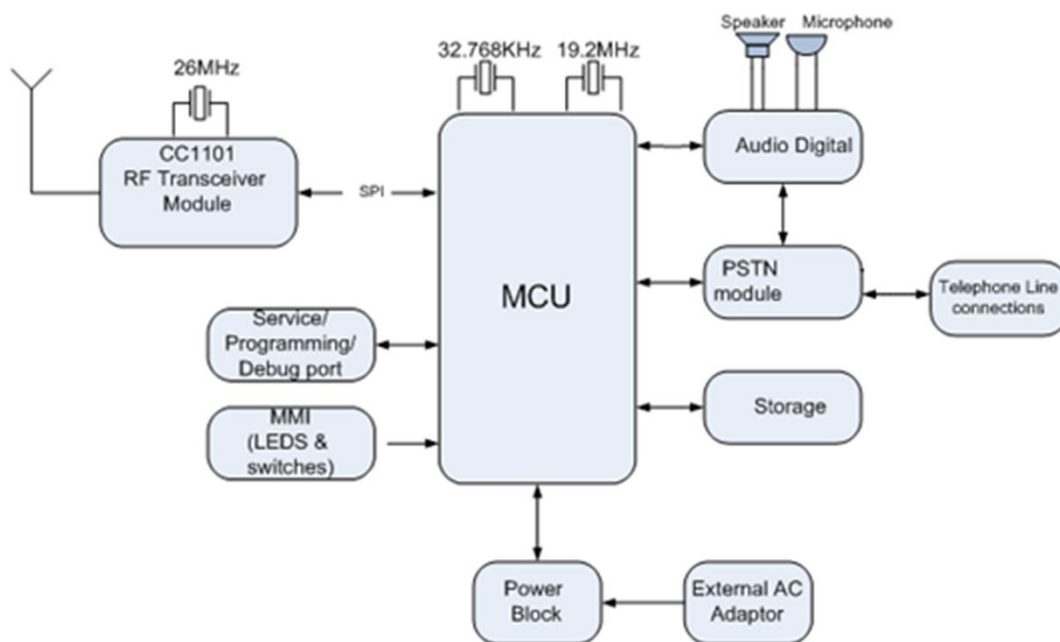
- Personal Security
- Multi language vocal reminders
- Onboard SOS and call CMS buttons
- LED indications for system status

### Certifications and approvals:



Essence Security International (E.S.I.) Ltd.

[www.essence-grp.com](http://www.essence-grp.com) +972-73-244-7777 [info@essence-grp.com](mailto:info@essence-grp.com)



## Block Diagram Description

Control panel consists of:

1. Microcontroller
2. PSTN module communicating with central operation station using telephone network respectively.
3. RF transceiver (915MHz) for communication with the peripherals
4. Speaker/microphone connected to CODEC
5. LEDs indicating system statuses
6. Power block providing all necessary voltages
7. Backup battery



Essence Security International (E.S.I.) Ltd.

[www.essence-grp.com](http://www.essence-grp.com) +972-73-244-7777 [info@essence-grp.com](mailto:info@essence-grp.com)