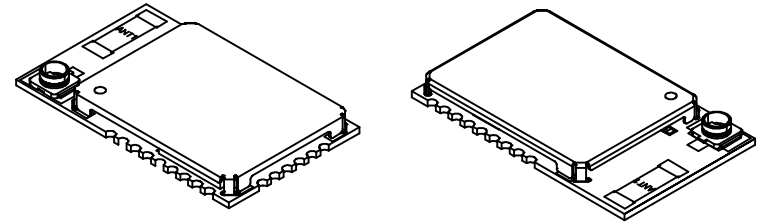
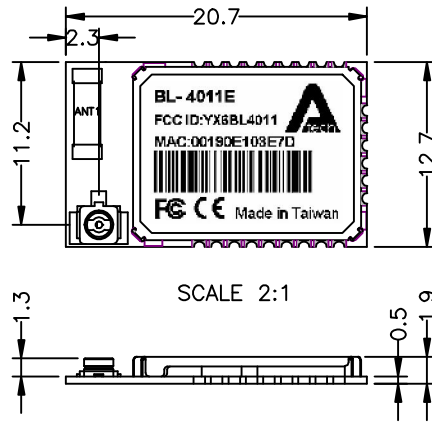
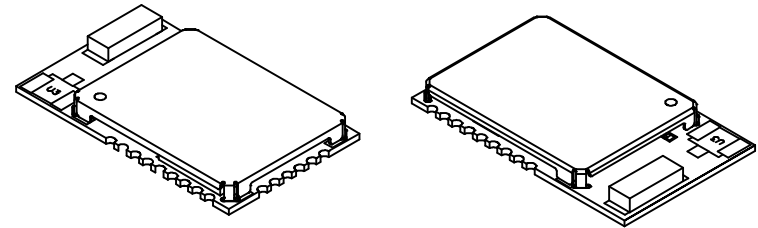
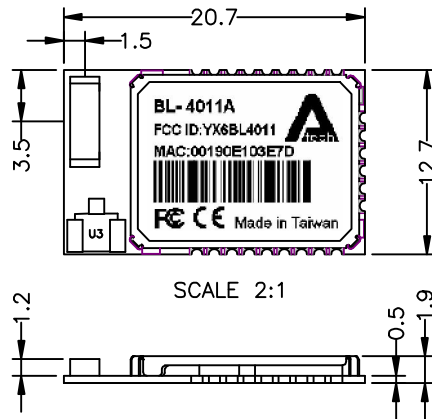


U.FL



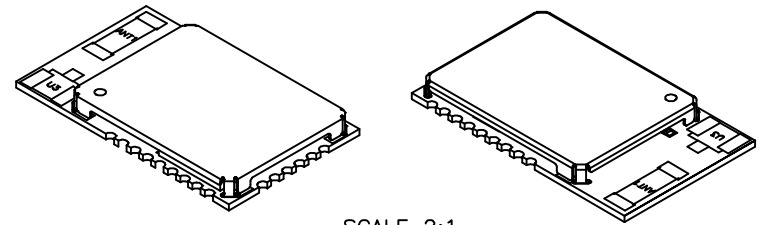
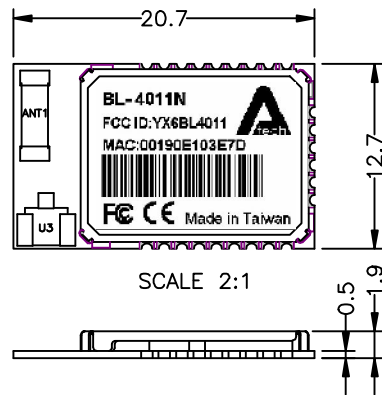
SCALE 2:1

Chip-Ant



SCALE 2:1

R.F-Pin



SCALE 2:1

								TITLE BL-4011-ASM	
								DWG. NO.	
RELEASE		03/19/2013	SHIRLEY	SHIRLEY	SHIRLEY	UNITS: M/M	SAFETY		SHEET 1 of 1
NO:	DESCRIPTION	DATE	BY	CHK	APPD	DATE	P/N:	DRAW Shirley	
REVISIONS						03/19/13			