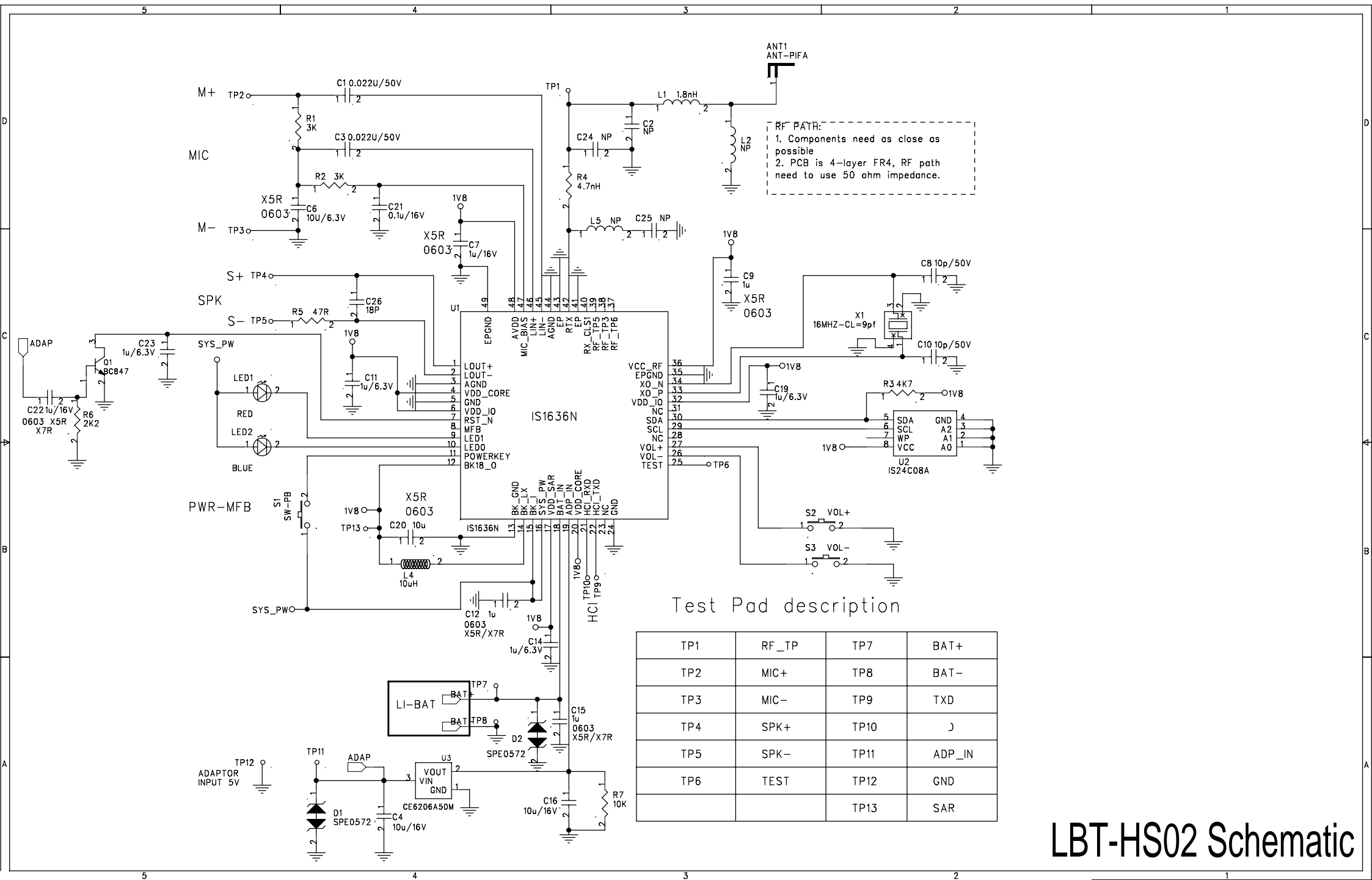
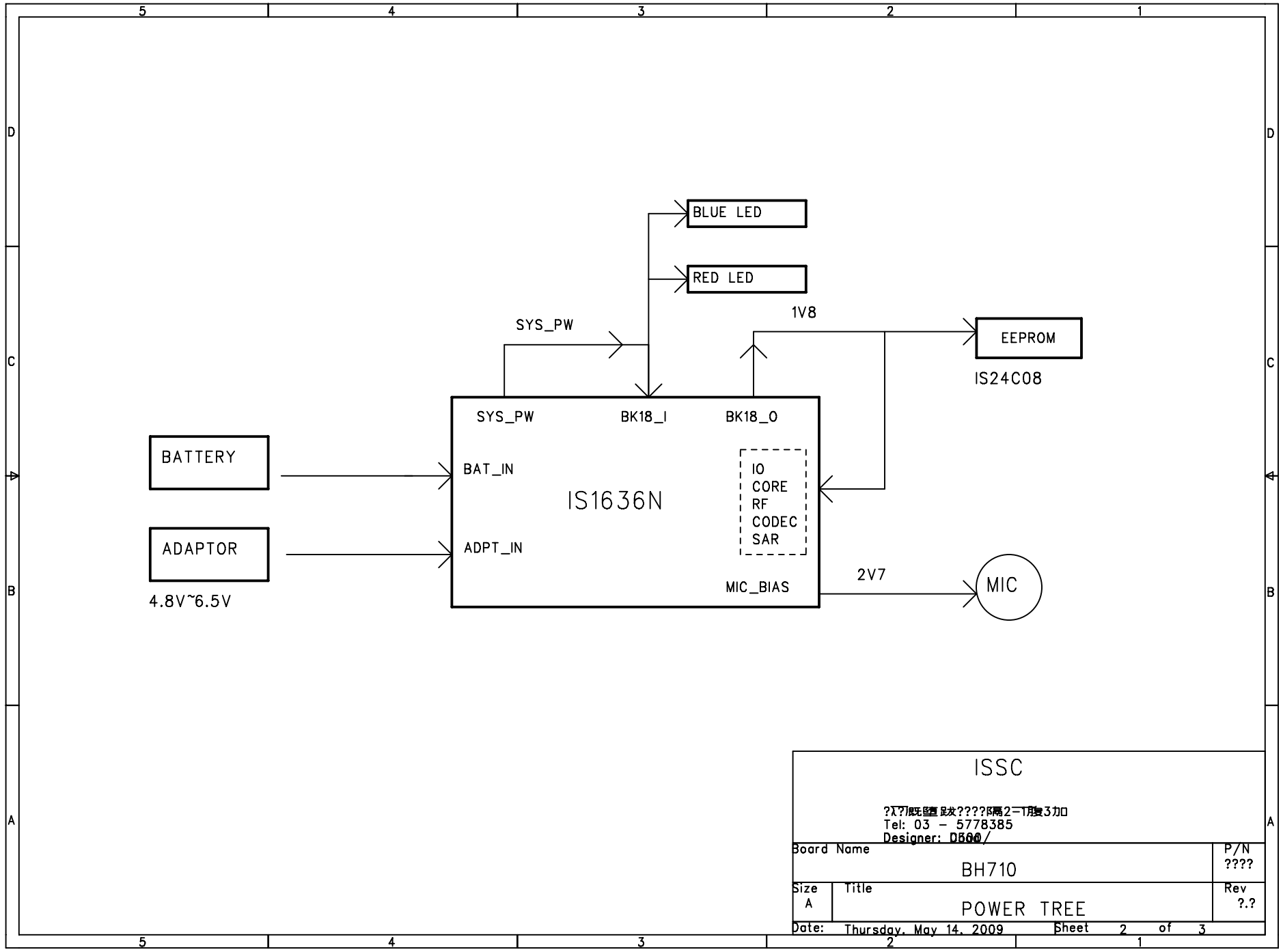


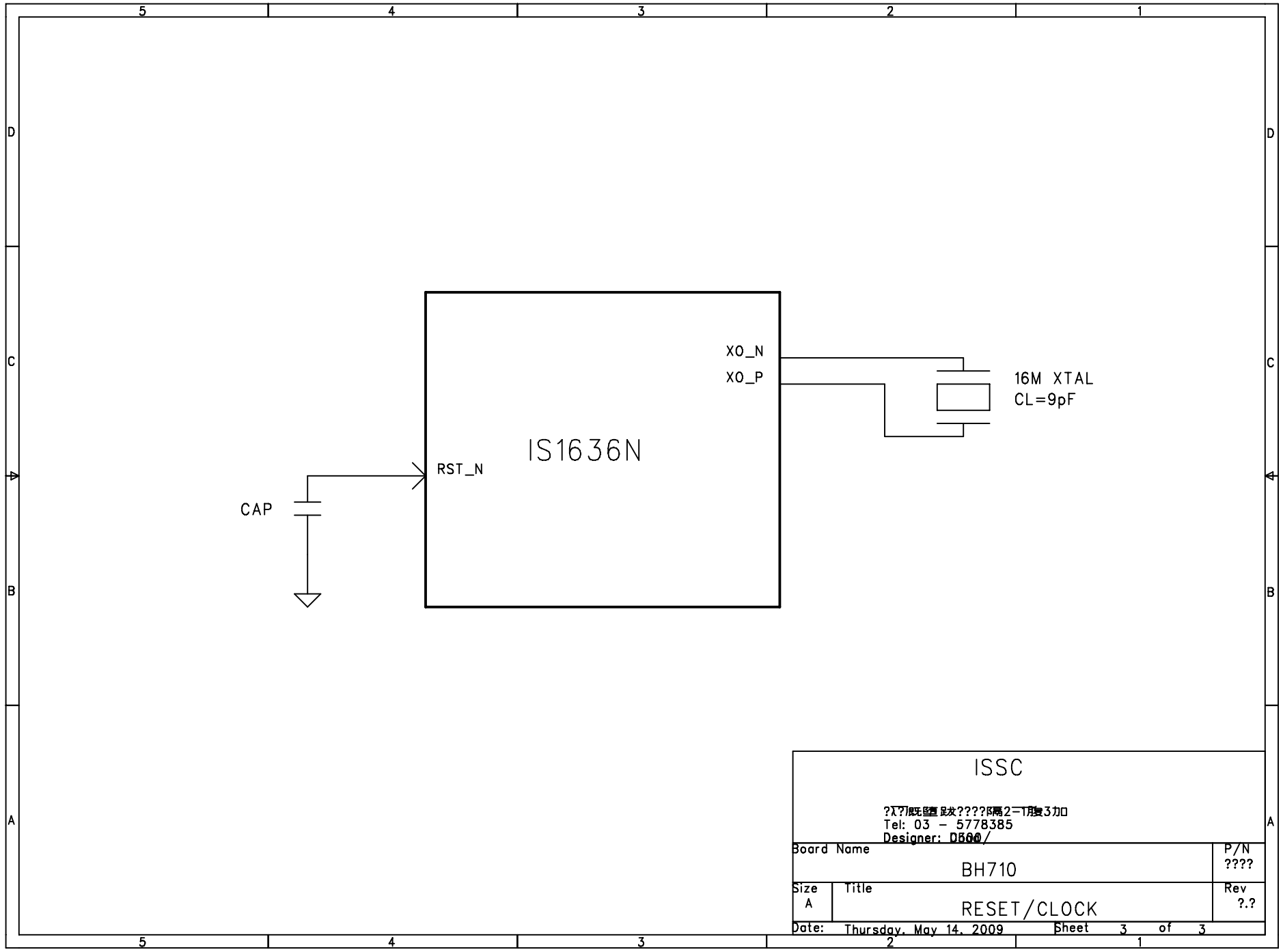
LBT-HS02 Schematic



LBT-HS02 Schematic



ISSC		
加3层1-2层??? Tel: 03 - 5778385 Designer: D560/		
Board Name		P/N
BH710		????
Size	Title	Rev
A	POWER TREE	?.
Date: Thursday, May 14, 2009		Sheet 2 of 3



ISSC		
加力三層二??? 加力三層二??? Tel: 03 - 5778385 Designer: 0560/		
Board Name		P/N
BH710		????
Size	Title	Rev
A	RESET/CLOCK	?.
Date: Thursday, May 14, 2009		Sheet 3 of 3