

This manual describes the important precautions you should take for safe operation of this product. Observe these precautions carefully to avoid personal injury, damage, fire, and other problems.

■ Meaning of symbols


WARNING


Failure to observe precautions carries the possibility of serious personal injury or death due to fire, electric shock, or other causes.


CAUTION

Failure to observe precautions may result in personal injury due to electric shock or other causes, and may damage other equipment.


 Prohibited action

 Mandatory action


 Situation that needs attention

 Notes and reference information

WARNING

 **If a foreign object (water, metal chips) enters the product, stop using the product immediately, remove the receiver unit from the PC, and remove the battery from the mouse.**

Continuing to use the product as it is may cause a fire or electric shock.

 **If the product is behaving abnormally, such as by generating heat, smoke, or giving off a strange smell, stop using the product immediately, shut down the PC, and then after sufficiently checking for whether the product is generating heat without being burned, remove the receiver unit from the PC, and remove the battery from the mouse. Afterwards, please contact your dealer.**

Continuing to use the product as it is may cause a fire or electric shock.

 **Please do not drop or hit this product.**

In the unlikely event that this product is damaged, stop using the product immediately, remove the receiver unit from the PC, and remove the battery from the mouse. Afterwards, please contact your dealer.

Fires or electric shocks may occur if this product is used when damaged.

 **Do not attempt to disassemble, modify or repair this product.**

Doing so may cause a fire, electric shock, or product damage.

Malfunctions are not covered under warranty.

 **Do not put this product in fire.**

Breakage may cause fire or injury.

 **CAUTION**

 **Do not place this product in any of the following environments:**

- In a car exposed to sunlight or a place exposed to direct sunlight.
 - In a place that becomes hot, such as around a heater.
 - In a moist place or a place where condensation may occur.
 - In an uneven place or a place exposed to vibration.
 - In a place where a magnetic field is generated (such as near a magnet.)
 - In a dusty place.
-

 **This product does not have a waterproof structure. Use or store in a place not exposed to liquids such as water.**


Any liquid such as rain, water spray, juice, coffee, steam, and sweat, may cause this product to breakdown.



- Only use this mouse with PCs, smartphones, tablets, and video game systems.
- Do not use this product with any device that may significantly be affected in the case of this product malfunctioning.
- If this product is used on a transparent surface such as glass or a highly reflective surface such as a mirror, the optical sensor will not function correctly and the mouse cursor movement will become unstable.
- * Although the sensor light is not visible, please note that looking directly into the sensor may hurt your eyes.
- When you no longer need to use this product and the battery, be sure to dispose of them in accordance with the local ordinances and laws of your area.

■ Battery

 **CAUTION**

-  Please use either an AA alkaline battery, an AA manganese battery or an AA nickel-metal hydride rechargeable battery.
-

 **Remove the battery when you are not using this product for long periods of time.**

Otherwise, this may cause leakage or malfunction.

■ **Cleaning the Product**

If the body of this product becomes dirty, wipe with a soft, dry cloth.



Using a volatile liquid such as paint thinner, benzene or alcohol may affect the material quality and/or discolor this product.

Please note the following for disinfection.



Gently soak a cleaning cloth, such as a microfiber cloth, in the disinfectant solution. Make sure there are no loose droplets and gently wipe the product using the cloth.

After wiping, dry thoroughly and wipe off any residual liquid.

* Do not spray any liquid onto the product directly. Doing so can cause electric malfunctions.



IMPORTANT



Do not spray any liquid onto the product directly.

Doing so can cause electric malfunctions.



Do not use organic solvents or ultraviolet lights.

Usage can result in deterioration of the housing components or paints, which can cause damage to the exterior.



We recommend the usage of disposable gloves.



Please unplug the USB connector from the PC.



When using any alcohol-based products, please check that it is appropriate for the specific purpose and that it is used properly.



Please note that in the event that damage or abnormal operation to the product is caused by the cleaning process, the customer will be fully responsible for the cost of repair.



We recommend that you disinfect your hands before and after using PCs and peripheral devices that are used by multiple people in order to prevent the spread of infection through the equipment.

! Please turn off any connected devices.

* Please turn off connected devices when in sleep or hibernation mode.

* Please unplug the AC adapter and power cable from the power outlet.


Cautions for Wireless Equipment

This product is a wireless device that can use the entire 2.4 GHz band, and is able to avoid the mobile entity identification device range. The GFSK method is adopted as the radio wave method, and the interference distance is 10 m. The 2.4 GHz band is also used in medical devices, Bluetooth, and wireless LAN devices of the IEEE 802.11b/11g/11n standards.

- Before using this product, check that there are no other "radio stations"* operating nearby.
- If electromagnetic interference occurs between this product and other "radio stations"*, move this product to another location or stop using this product.

* Other "radio stations" refer to industrial, scientific and medical devices using the 2.4 GHz band, the same as this product, other radio stations of this type, licensed radio station premises for a mobile object identification system that is used in factory production lines, certain non-licensed low power radio stations, and amateur radio stations.

WARNING

-  Do not use in equipment which may cause serious effects due to it malfunctioning. There are rare cases in which an external radio wave at the same frequency, or the radio wave emitted from a mobile phone, causes this product to malfunction, slow down, or fail to operate.
- Do not use this product in places where radio wave usage is prohibited, such as hospitals. Radio waves of this product may affect electronic devices and medical devices (for example pacemakers).
- Due to the possibility of hindering safe navigation of aircraft, use of wireless mouse in aircraft is prohibited by the Civil Aeronautics Act. Turn off the power of the wireless mouse before boarding and do not use after boarding.

* ELECOM is not liable for any accidents or any indirect or consequential damage incurred due to the failure of this product.

How to use

Items included in this package

The following are included in this package. Verify the package to ensure all items are accounted for prior to using this product. While every effort has been made to ensure proper packaging, in the event that

any shortage or damage is discovered, please contact the retailer where the product was purchased.

• **Mouse × 1**

• **Receiver unit × 1**



At the time of shipment, it is stored in the mouse. Please remove before use.

• **AA alkaline battery for confirming operability × 1**

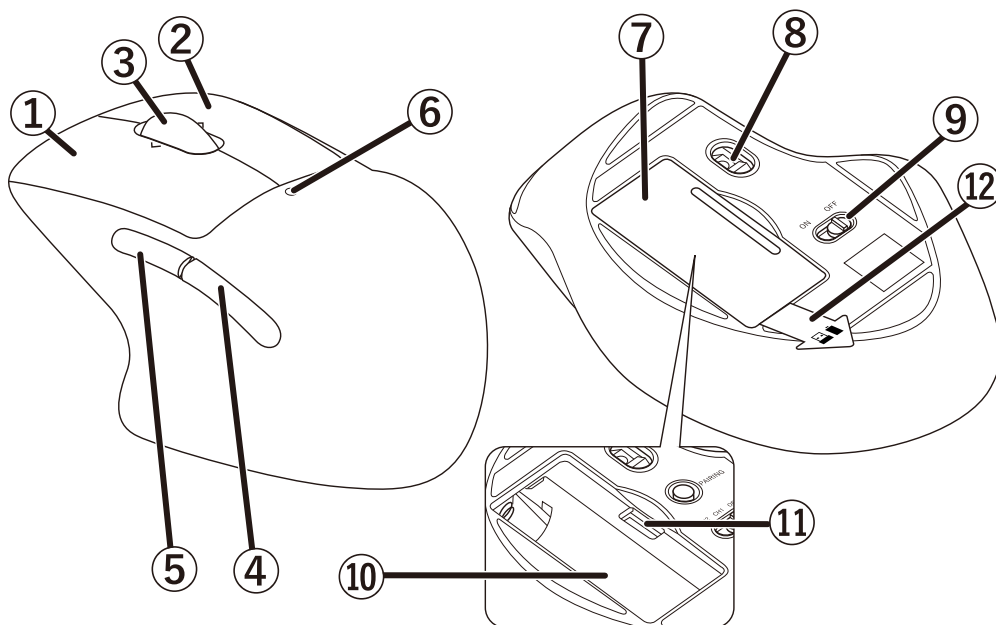


It is pre-inserted in the mouse body. Please remove the battery insulating pull tab before use.

Name and function of each part



■ Mouse



① **Left button**

To left click on your PC.

② **Right button**

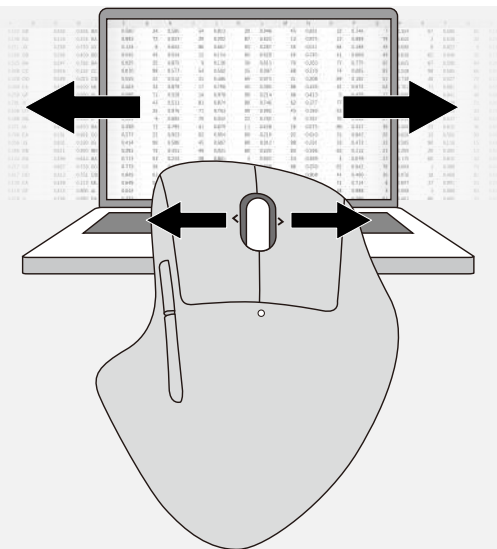
To right click on your PC.

③ **Tilt wheel**

Rotate forward and backward or click like a button to operate your PC.

You can scroll horizontally by tilting the wheel to the left or right.

* The screenshots will be replaced with the English version when it's ready.



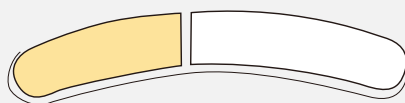
You will need to install the "ELECOM Mouse Assistant Windows version" from our website to use the left and right scroll function on Windows. Please refer to "[Install ELECOM Mouse Assistant](#)".

④ "Back" button

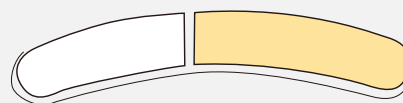
Perform the "Back" function on the Web browser.

⑤ "Forward" button

Perform the "Forward" function on the Web browser.



"Forward" button
Continue to next page.



"Back" button
Return to previous page.



You will need to install the "ELECOM Mouse Assistant Mac version" from our website to use the "Back" and "Forward" button on Mac. Please refer to "[Install ELECOM Mouse Assistant](#)".

⑥ LED light

- The LED will light up white for a period of time when the mouse is switched ON.
- The LED will blink white during use when the battery level is low.

⑦ Battery cover

Remove this cover and insert the battery.

⑧ Optical sensor

The LED will light up blue when the battery is inserted into the mouse.

This sensor will detect mouse movements when you move the mouse.

* Please note that looking directly into the sensor light may hurt your eyes.

⑨ Power switch

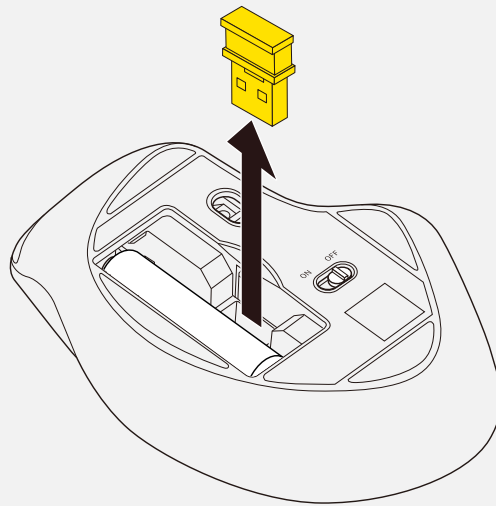
Turn the mouse power on (ON) and off (OFF).

⑩ Battery storage compartment

Holds the battery.

⑪ Receiver unit storage compartment

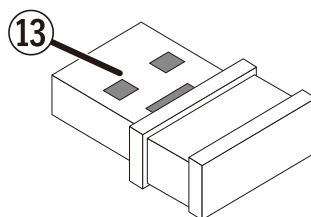
The receiver unit can be stored here when the mouse is not in use.



⑫ Battery insulating tab

Remove this tab before using.

■ Receiver unit



⑬ USB connector (male)

Connects to the PC USB-A port

Connecting and setting up the mouse

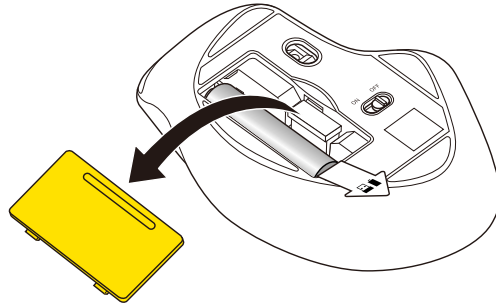


Windows®

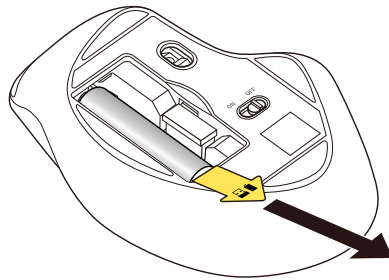


1. Turn the power ON

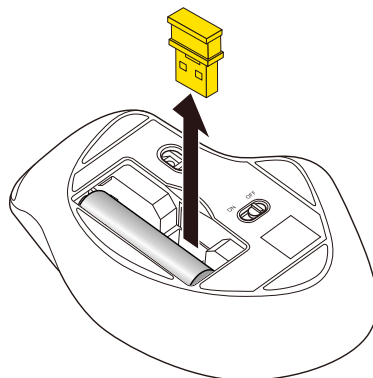
1) Remove the battery cover.



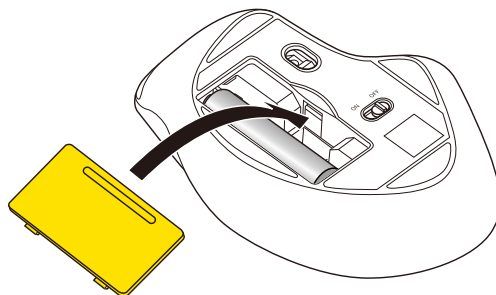
2) Remove the battery insulating tab.



3) Remove the receiver unit.

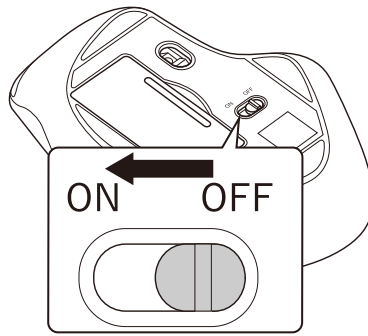


4) Put the battery cover back on.



5) Slide the power switch on the underside of the product to the ON position.





The LED will light up white for a period of time.

* When the battery level is running low, the LED will blink white for a period of time.



Power-saving mode

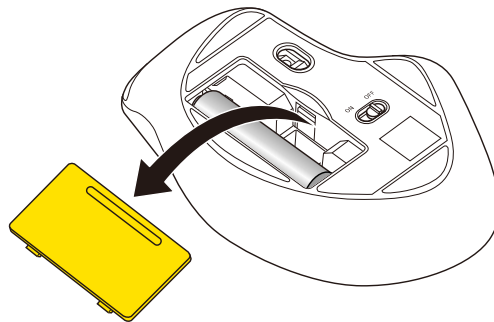
When the mouse is left untouched for a fixed period of time while the power is ON, it automatically shifts to power-saving mode.

The mouse returns from power-saving mode when it is moved.

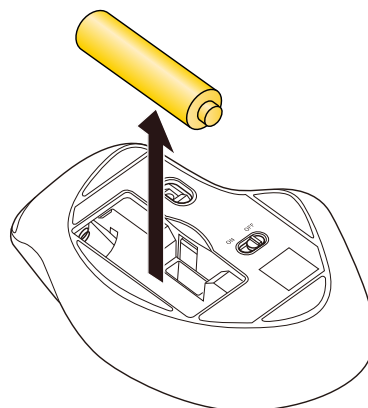
* Mouse operation may be unstable for 2-3 seconds after returning from the power-saving mode.

Replacing the battery...

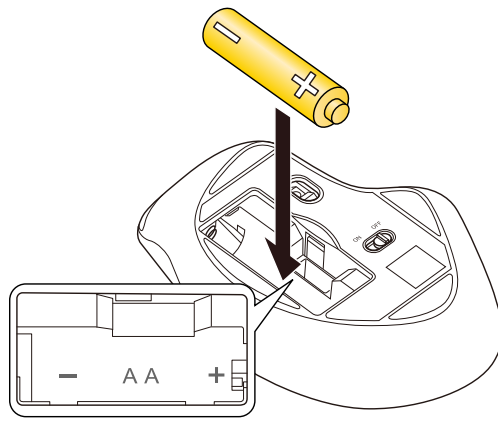
1) Remove the battery cover.



2) Remove the battery.

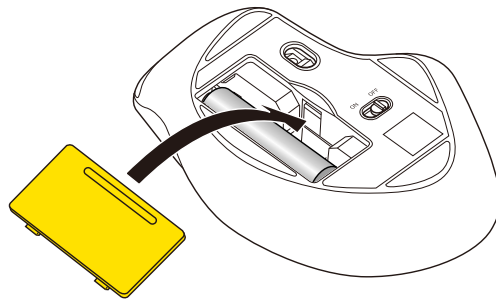


3) Insert the battery according to the instructions on the battery compartment.



Ensure that the battery is inserted with the positive (+) and negative (-) terminals oriented correctly.

4) Put the battery cover back on.

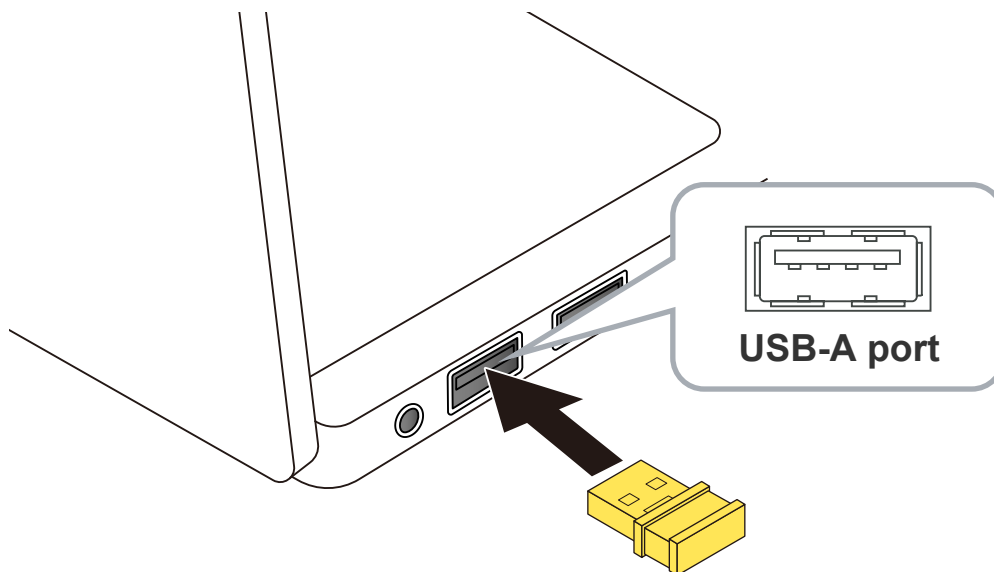


2. Connect to a PC

1) Start up your PC.

Please wait until your PC has started up and can be operated.

2) Insert the receiver unit into the PC's USB-A port.



You may use any USB-A port.



• Ensure that the connector is correctly oriented to the port.

* The screenshots will be replaced with the English version when it's ready.

- If there is strong resistance when inserting, check the shape and orientation of the connector. Forcibly inserting the connector may damage the connector, and there is a risk of injury.
- Do not touch the terminal portion of the USB connector.



When removing the receiver unit

This product supports hot plugging. The receiver unit can be removed while the PC is on.

3) The driver will be automatically installed, and you will then be able to use the mouse.

You can now use the mouse.

By downloading and installing the "ELECOM Mouse Assistant" from our company website, functions such as button assignment function and presentation mode can be used. Please proceed to "[Install ELECOM Mouse Assistant](#)".

Change the mouse pointer speed

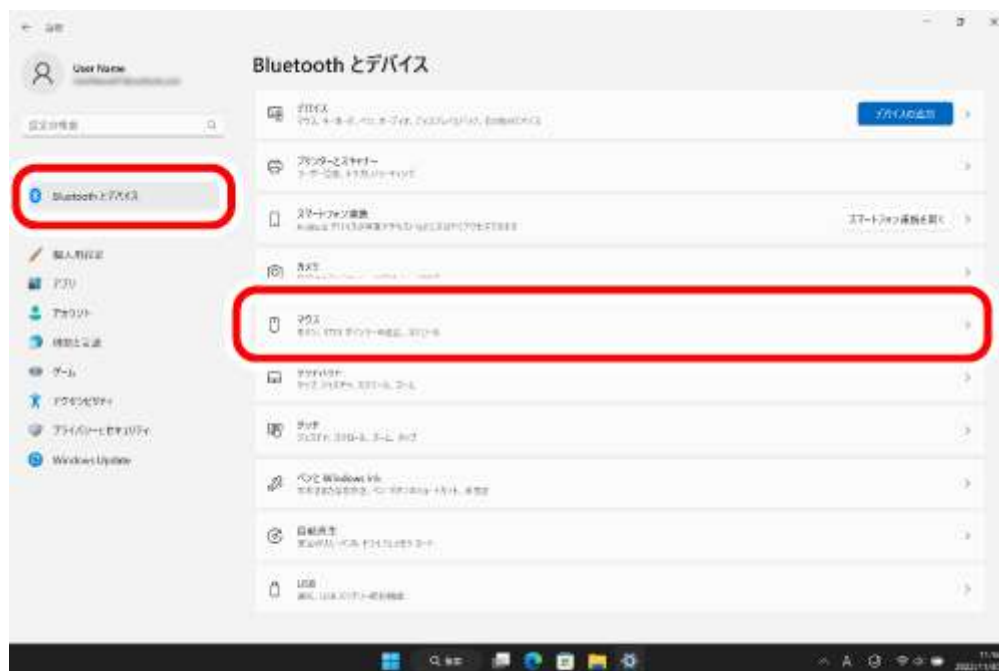
Adjust the mouse pointer movement speed on your PC if the mouse pointer moves too fast or too slow.

■ For Windows 11

1) Click on "Start" on the bottom of the screen and click on "Settings".

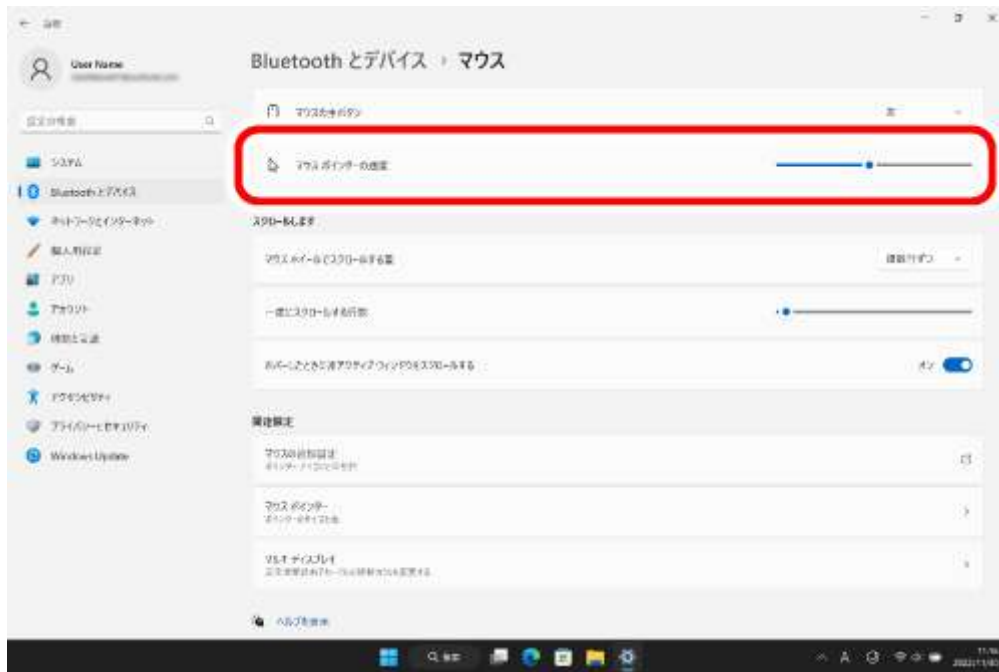
The "Settings" page will appear.

2) Click on "Bluetooth & devices" and then "Mouse".



* The screenshots will be replaced with the English version when it's ready.

3) Adjust the “Mouse pointer speed” slider bar to adjust the mouse pointer movement speed.



■ For Windows 10/8.1

1) Open “Mouse” properties.

• For Windows 10

From the Start menu, click the Settings icon, select “Devices” → “Mouse”, then click “Additional mouse options” under “Related Settings”.

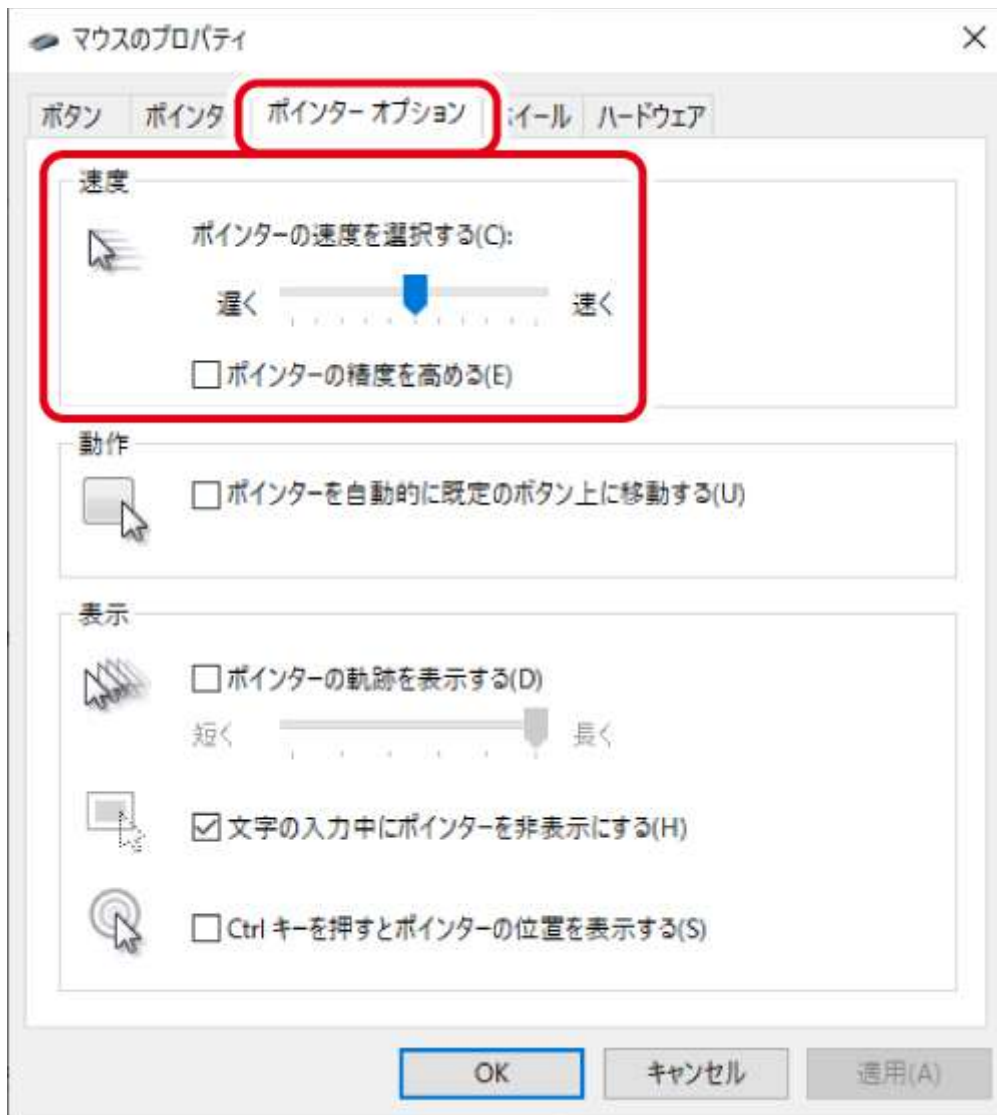
• For Windows 8.1

Right-click the Start button in the bottom left-hand corner of the screen and select "Control Panel" → "Hardware and Sound", then click on “Mouse” under “Devices and Printers”.

2) Select the “Pointer Options” tab.

3) Adjust the “Select a pointer speed” slider bar to adjust the mouse pointer movement speed.

* The screenshots will be replaced with the English version when it's ready.



Change the number of lines scrolled in one wheel turn

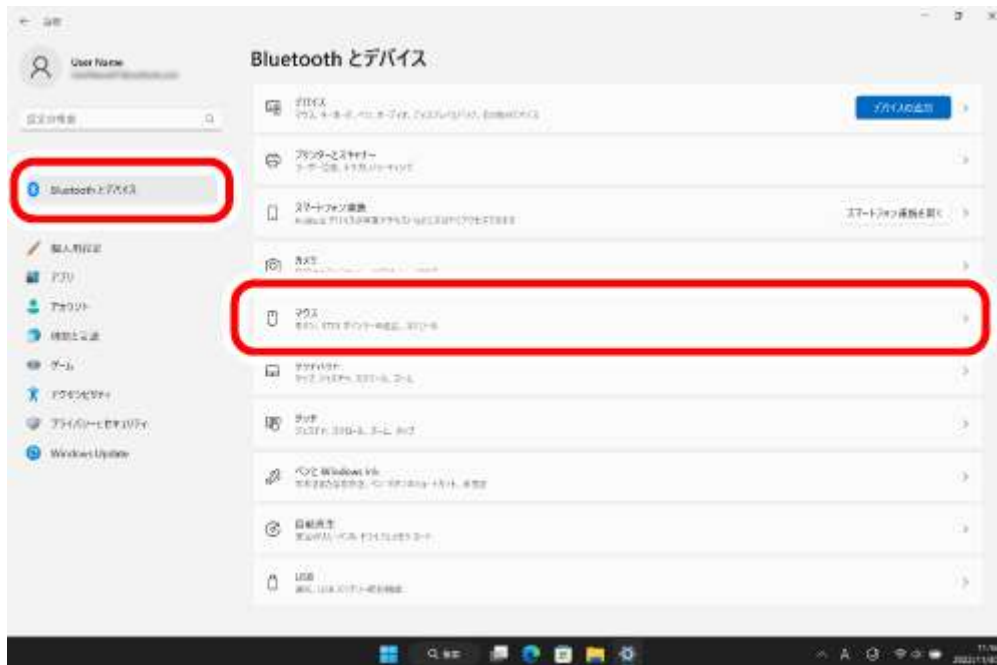
■ For Windows 11

1) Click on "Start" on the bottom of the screen and click on "Settings".

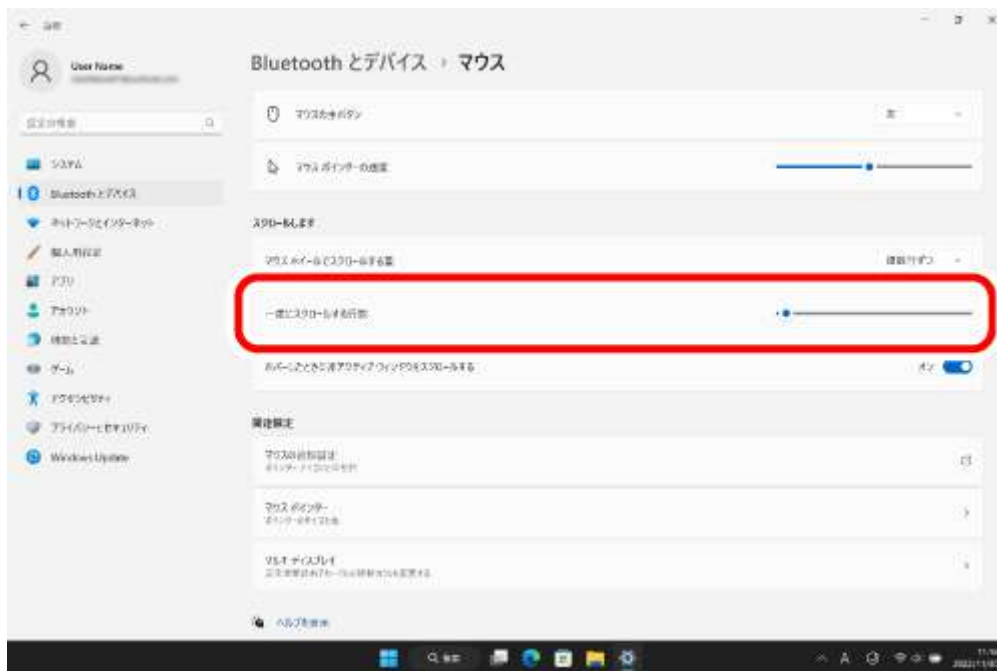
The "Settings" page will appear.

2) Click on "Bluetooth & devices" and then "Mouse".

* The screenshots will be replaced with the English version when it's ready.



3) Adjust the "Lines to scroll at a time" slider bar to adjust the number of lines per scroll.



■ For Windows 10/8.1

1) Open "Mouse" properties.

• For Windows 10

From the Start menu, click the Settings icon, select "Devices" → "Mouse", then click "Additional mouse options" under "Related Settings".

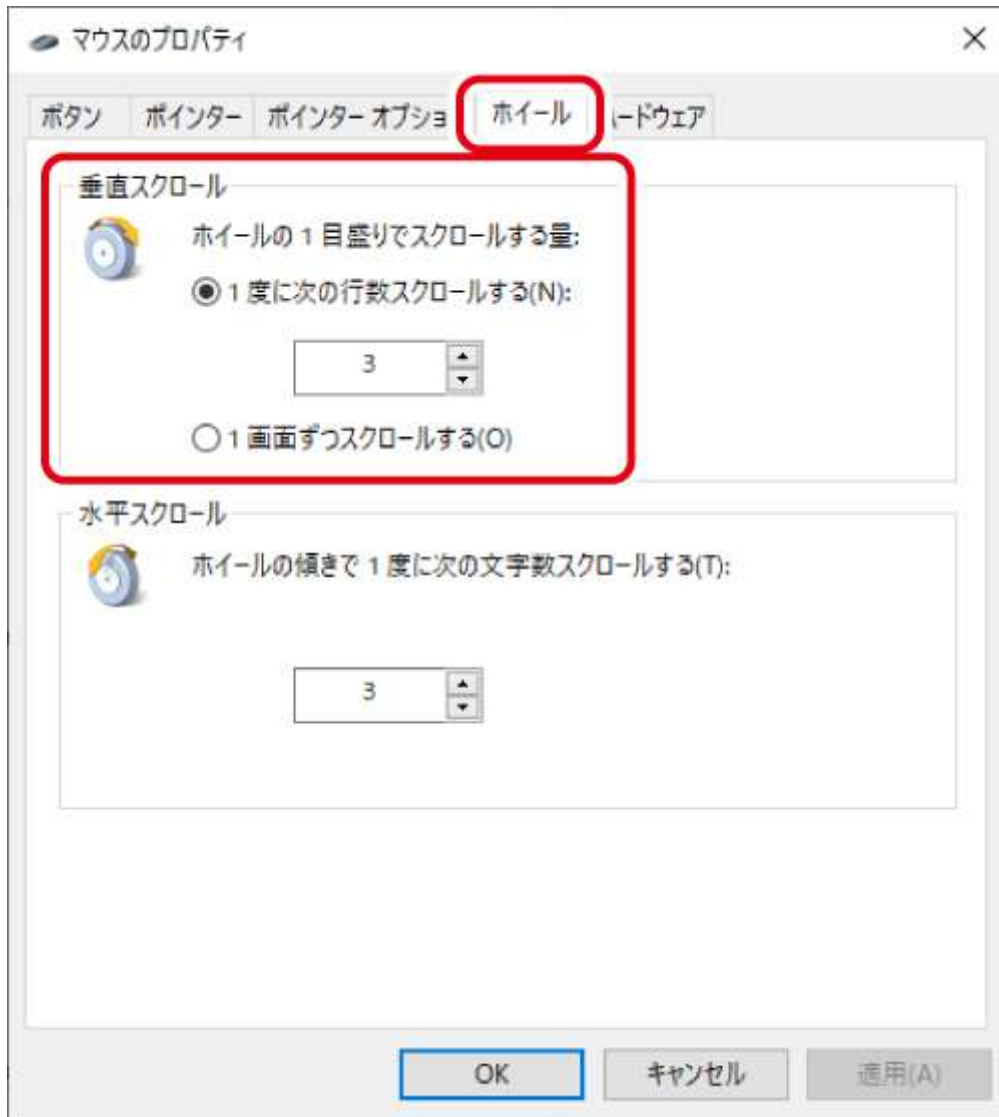
• For Windows 8.1

Right-click the Start button in the bottom left-hand corner of the screen and select "Control Panel" → "Hardware and Sound", then click on "Mouse" under "Devices and Printers".

2) Select the "Wheel" tab.

* The screenshots will be replaced with the English version when it's ready.

3) Change the value of "The following number of lines at a time" under "Roll the wheel one notch to scroll"

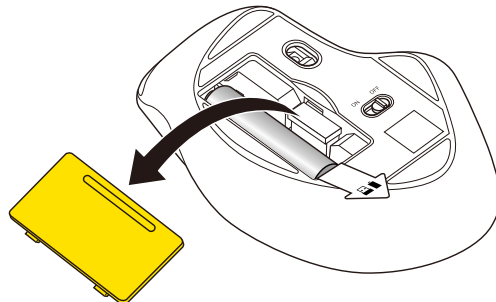


Mac

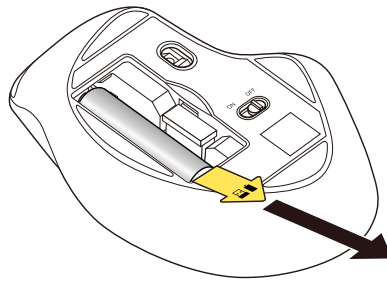


1. Turn the power ON

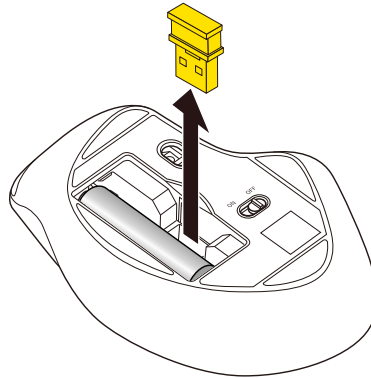
1) Remove the battery cover.



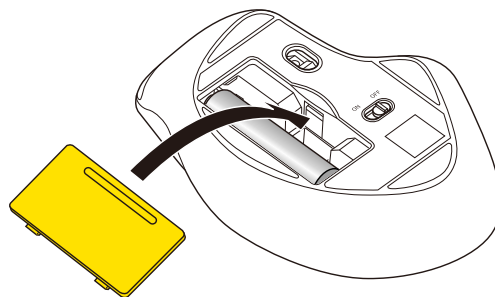
2) Remove the battery insulating tab.



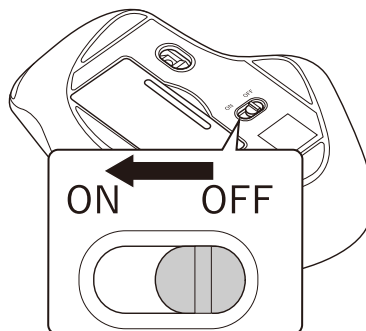
3) Remove the receiver unit.



4) Put the battery cover back on.



5) Slide the power switch on the underside of the product to the ON position.



The LED will light up white for a period of time.

* When the battery level is running low, the LED will blink white for a period of time.



Power-saving mode

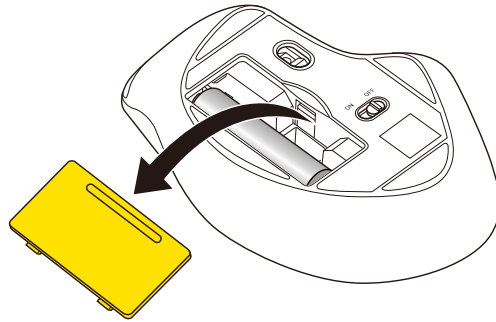
When the mouse is left untouched for a fixed period of time while the power is ON, it automatically shifts to power-saving mode.

The mouse returns from power-saving mode when it is moved.

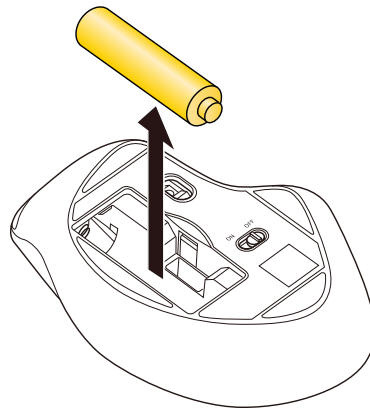
* Mouse operation may be unstable for 2-3 seconds after returning from the power-saving mode.

Replacing the battery...

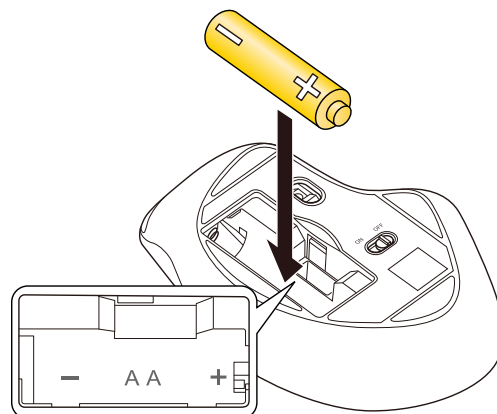
1) Remove the battery cover.



2) Remove the battery.

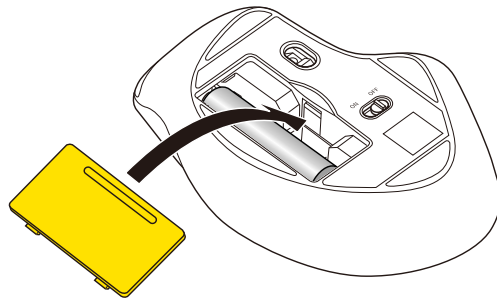


3) Insert the battery according to the instructions on the battery compartment.



Ensure that the battery is inserted with the positive (+) and negative (-) terminals oriented correctly.

4) Put the battery cover back on.

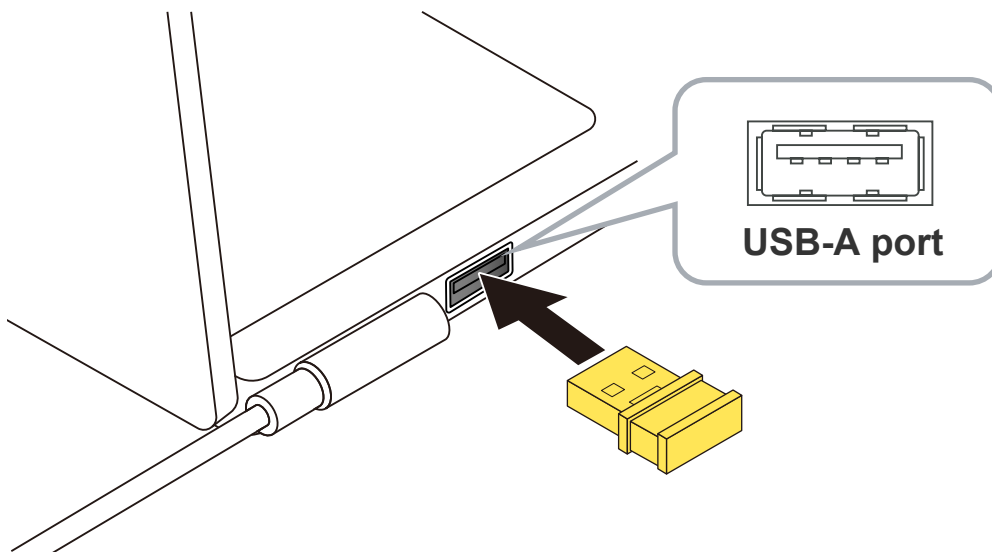


2. Connect to a PC

1) Start up your PC.

Please wait until your PC has started up and can be operated.

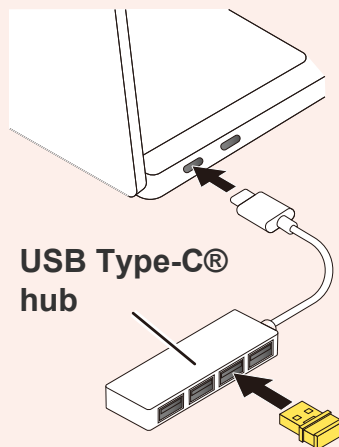
2) Insert the receiver unit into the PC's USB-A port.



You may use any USB-A port.



For terminals that do not have a USB-A port, such as a MacBook, use the USB Type-C® hub.



- Ensure that the connector is correctly oriented to the port.
- If there is strong resistance when inserting, check the shape and orientation of the connector. Forcibly inserting the connector may damage the connector, and there is a risk of injury.
- Do not touch the terminal portion of the USB connector.

* The screenshots will be replaced with the English version when it's ready.



When removing the receiver unit

This product supports hot plugging. The receiver unit can be removed while the PC is on.

3) The driver will be automatically installed, and you will then be able to use the mouse.

You can now use the mouse.

By downloading and installing the "ELECOM Mouse Assistant" from our company website, functions such as button assignment function and presentation mode can be used. Please proceed to "[Install ELECOM Mouse Assistant](#)".

Change the mouse pointer speed

Adjust the mouse pointer movement speed on your PC if the mouse pointer moves too fast or too slow.

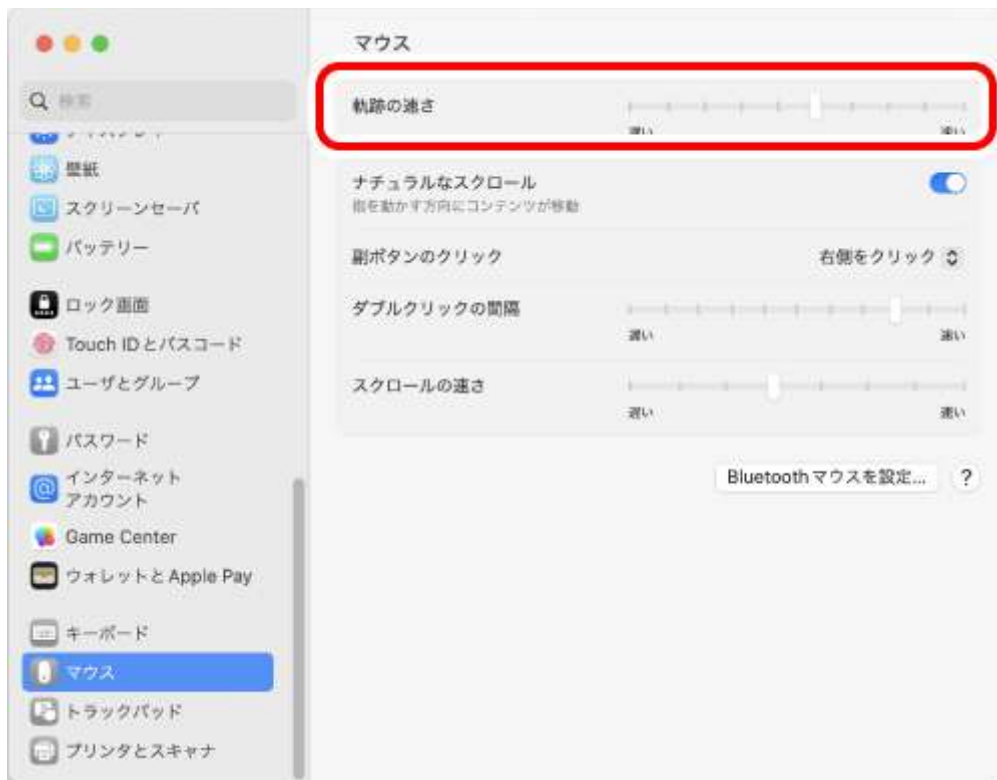
1) Click "Mouse" under "System Settings".

The "Mouse" settings page will load up.



2) Adjust the "Tracking speed" slider to adjust the speed of the mouse pointer.

* The screenshots will be replaced with the English version when it's ready.



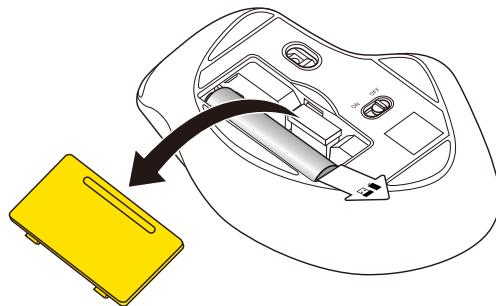
Unchecking "Natural scrolling" will cause the scroll direction to be reversed.

Chrome OS

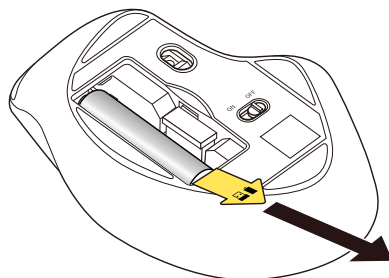


1. Turn the power ON

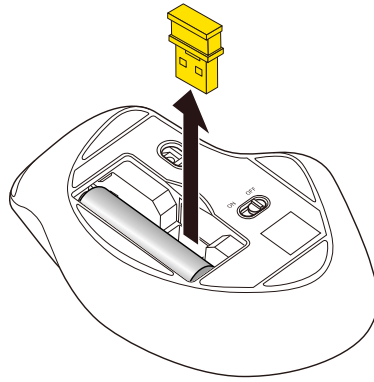
1) Remove the battery cover.



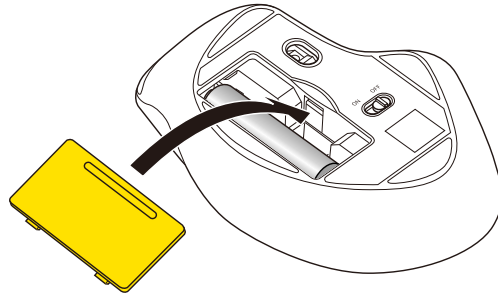
2) Remove the battery insulating tab.



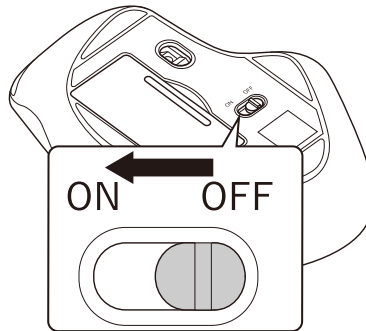
3) Remove the receiver unit.



4) Put the battery cover back on.



5) Slide the power switch on the underside of the product to the ON position.



The LED will light up white for a period of time.

* When the battery level is running low, the LED will blink white for a period of time.



Power-saving mode

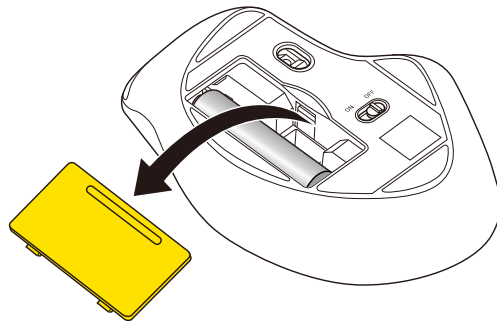
When the mouse is left untouched for a fixed period of time while the power is ON, it automatically shifts to power-saving mode.

The mouse returns from power-saving mode when it is moved.

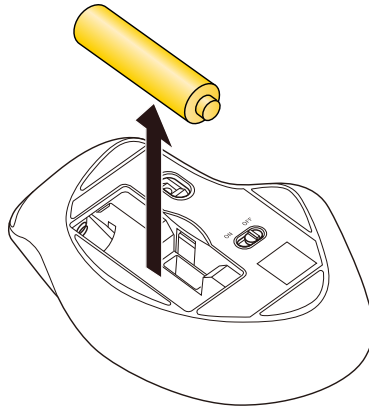
* Mouse operation may be unstable for 2-3 seconds after returning from the power-saving mode.

Replacing the battery...

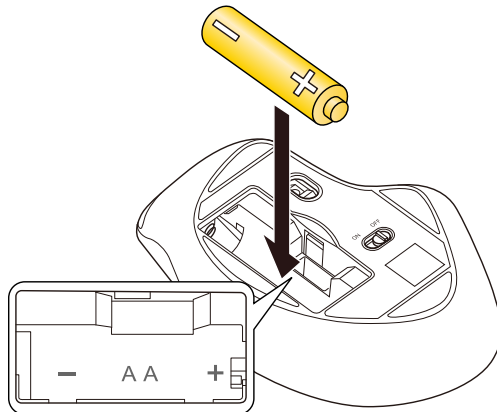
1) Remove the battery cover.



2) Remove the battery.

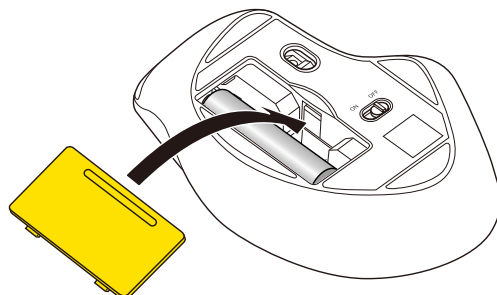


3) Insert the battery according to the instructions on the battery compartment.



Ensure that the battery is inserted with the positive (+) and negative (-) terminals oriented correctly.

4) Put the battery cover back on.

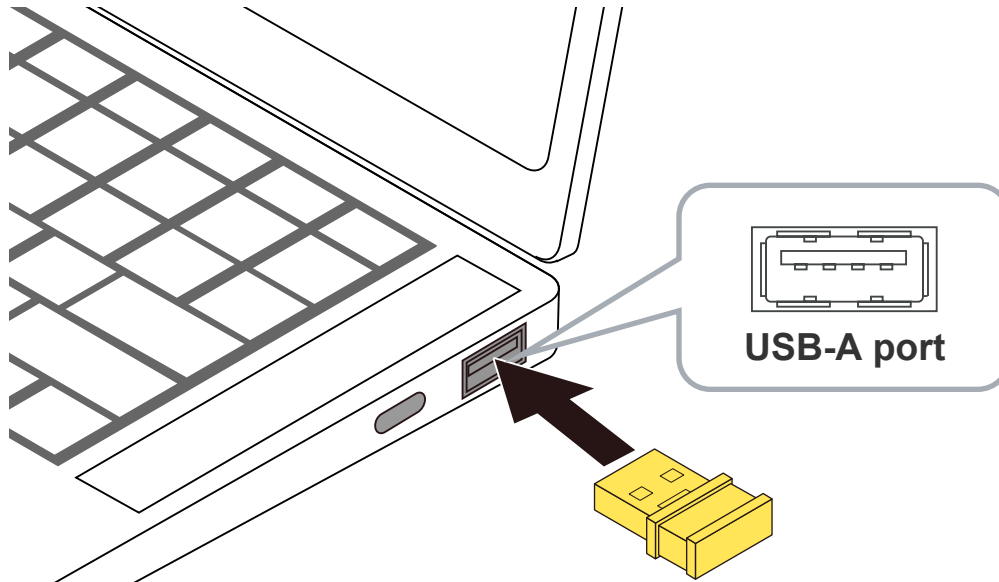


2. Connect to a PC

1) Start up your PC.

Please wait until your PC has started up and can be operated.

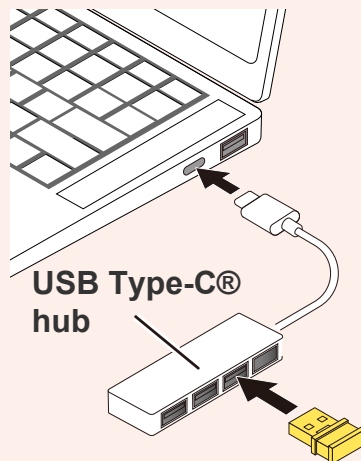
2) Insert the receiver unit into the PC's USB-A port.



You may use any USB-A port.



For terminals that do not have a USB-A port, such as a MacBook, use the USB Type-C® hub.



- Ensure that the connector is correctly oriented to the port.
- If there is strong resistance when inserting, check the shape and orientation of the connector. Forcibly inserting the connector may damage the connector, and there is a risk of injury.
- Do not touch the terminal portion of the USB connector.



When removing the receiver unit

This product supports hot plugging. The receiver unit can be removed while the PC is on.

3) The driver will be automatically installed, and you will then be able to use the mouse.

You can now use the mouse.

* The screenshots will be replaced with the English version when it's ready.

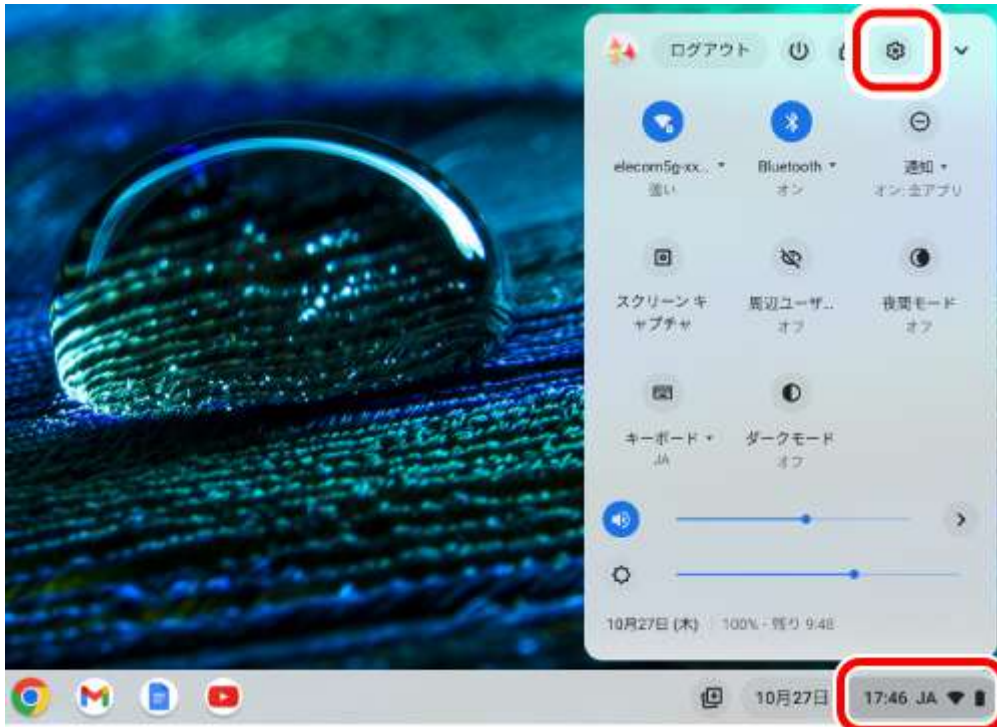
Change the mouse pointer speed

Adjust the mouse pointer movement speed on your PC if the mouse pointer moves too fast or too slow.

1) Click on the quick settings panel on the bottom right.

2) Click on "Settings".

The settings page will appear.



3) Click on "Mouse and touchpad" under "Device".



4) Adjust the "Mouse speed" slider to adjust the speed of the mouse pointer.

* The screenshots will be replaced with the English version when it's ready.



Install ELECOM Mouse Assistant



To use the function assignment function, fast scroll function and presentation mode with this product, the ELECOM Mouse Assistant must be installed.

"ELECOM Mouse Assistant" is a software that allows you to use the mouse more effectively.

Using ELECOM Mouse Assistant, users can set the functions they want to the unique buttons and use them to perform the operations they want.

■ Get ELECOM Mouse Assistant

Please visit our homepage below and download the latest version of the application.

> The download page is [here](#)

Product specifications



Compatible models	USB port-equipped Windows OS, macOS, and Chrome OS devices
Supported OS	Windows 11, Windows 10, macOS Ventura (13), Chrome OS * Update for each new version of the OS or the installation of a service pack might be required. * Please see the table of supported devices for the latest information.
Resolution	2000 DPI

Communication method	GFSK
Radio frequency	2.4 GHz
Radio wave range	When used on magnetic surfaces such as metal desks: 3 m, When used on non-magnetic surfaces such as wooden desks: 10 m * These values were obtained in ELECOM's test environment and are not guaranteed.
Sensor type	IR optical sensor
LED color	Blue
Buttons	7 * including wheel button
Number of wheels	1
Continuous operating time	Approximately 643 hours
Continuous standby time	Approximately 757 days
Projected battery lifespan	Approximately 20 months (When alkaline battery is used) * Projected battery lifespan may vary depending on the environment you use this product.
Power source	Any 1 of AA alkaline battery, AA manganese battery or AA nickel-metal hydride rechargeable battery
Rated voltage	1.5 V
External dimensions (main unit)	approximately W 86 × D 115 × H 48 mm (approximately W 3.4 × D 4.5 × H 1.9 inch)
External dimensions (receiver)	approximately W 7 × D 20 × H 16 mm (approximately W 0.3 × D 0.8 × H 0.6 inch)
Weight (main unit)	Approximately 102 g / 3.6 oz (* including battery) Approximately 80 g / 2.8 oz (*excluding battery)
Mass (receiver unit)	Approximately 2 g / 0.07 oz
Operating environment conditions	Temperature: 5 °C to 40 °C / 41 °F ~ 104 °F, humidity: 90 % RH (without condensation)

Storage environment conditions	Temperature -10 °C to 60 °C / 14 °F~ 140 °F, humidity: 90 % RH (without condensation)
Accessories	AA alkaline battery for confirming operability × 1

Compliance status



* XXX will be determined when it's fixed.

Model: M-SH30DBS, ELECOM01B

▼ China / 中国

RoHS Compliance (产品中有毒有害物质或元素的名称及含量)

▼ EU

Model: M-SH30DBS



CE Declaration of Conformity

RoHS Compliance

Importer EU Contact (For CE matters only)

Around the World Trading, Ltd.

5th floor, Koenigsallee 2b, Dusseldorf, Nordrhein-Westfalen, 40212, Germany



WEEE Disposal and Recycling Information

This symbol means that waste of electrical and electronic equipment (WEEE) should not be disposed as general household waste. WEEE should be treated separately to prevent possible harm to the environment or human health. Consult your retailer or local municipal office for collection, return, recycle or reuse of WEEE.

▼ Korea / 대한민국



모델명: M-SH30DBS

인증번호: R-R-ELJ-M-SH30DBS

모델명: ELECOM01B

인증번호: R-R-ELJ-ELECOM01B

제작자 및 설치자는 해당 무선설비가 전파혼신 가능성이 있으므로 인명안전과 관련된 서비스는 할 수 없습니다.

▼ Singapore

Model: M-SH30DBS

Complies with
IMDA standards
DA106058.

Operating Frequencies: XXXX-XXXX MHz

Maximum field intensity / RF Output power: X.XX dBm / X.XX mW

▼ Taiwan / 台灣

型式: M-SH30DBS



BSMI RoHS statement (限用物質含有情況標示聲明書)



型號 M-SH30DBS: XXXXXXXXXXXXXXXX

型號 ELECOM01B: CCAH20LP8510T5

取得審驗證明之低功率射頻器材，非經核准，公司、商號或使用者均不得擅自變更頻率、加大功率或變更原設計之特性及功能。低功率射頻器材之使用不得影響飛航安全及干擾合法通信；經發現有干擾現象時，應立即停用，並改善至無干擾時方得繼續使用。前述合法通信，指依電信管理法規定作業之無線電通信。低功率射頻器材須忍受合法通信或工業、科學及醫療用電波輻射性電機設備之干擾。

▼ UK



UK Declaration of Conformity

RoHS Compliance

Importer UK Contact (For UKCA matters only)

Around the World Trading, Ltd.

25 Clarendon Road Redhill, Surrey RH1 1QZ, United Kingdom



WEEE Disposal and Recycling Information

This symbol means that waste of electrical and electronic equipment (WEEE) should not be disposed as general household waste. WEEE should be treated separately to prevent possible harm to the environment or human health. Consult your retailer or local municipal office for collection, return, recycle or reuse of WEEE.

▼ US

M-SH30DBS

FCC ID: YWO-M-SH30DBS

ELECOM01B

FCC ID: YWO-ELECOM01B

This device complies with Part 15 of the FCC Rules. Operation is subject to the following two conditions: (1) this device may not cause harmful interference, and (2) this device must accept any interference received, including interference that may cause undesired operation.

NOTE; This equipment has been tested and found to comply with the limits for a Class B Digital Device, pursuant to part 15 of the FCC Rules. These limits are designed to provide reasonable protection against harmful interference in a residential installation. This equipment generates, uses and can radiated radio frequency energy and, if not installed and used in accordance with the instruction, may cause harmful interference to radio communication. However, there is no guarantee that interference will not occur in a particular installation. If this equipment does cause harmful interference to radio or television reception, which can be determined by tuning the equipment off and on, the user is encouraged to try to correct the interference by one or more of the following measures:

- Reorient or relocate the receiving antenna
- Increase the separation between the equipment and receiver
- Connect the equipment into an outlet on a circuit different from that to which the receiver is connected
- Consult the dealer or an experienced radio/TV technician for help

NOTICE: The manufacture is not responsible for any radio or TV interference caused by unauthorized modification to this equipment. Such modifications could void the user's authority to operate the equipment.

In order to make improvements to this product, the design and specifications are subject to change without prior notice.

FCC Caution: To assure continued compliance, any changes or modifications not expressly approved by the party responsible for compliance could void the user's authority to operate this equipment. (Example - use only shielded interface cables when connecting to computer or peripheral devices).

FCC Radiation Exposure Statement

This equipment complies with FCC RF radiation exposure limits set forth for an uncontrolled environment. This equipment should be installed and operated with a minimum distance of 0.5 cm between the radiator and your body.

This transmitter must not be co-located or operating in conjunction with any other antenna or transmitter.

The antennas used for this transmitter must be installed to provide a separation distance of at least 0.5 cm from all persons and must not be co-located or operating in conjunction with any other antenna or transmitter.

Responsible party

ELECOM USA, Inc.

18575 Jamboree Road Suite 600, Irvine CA 92612 USA

elecomus.com