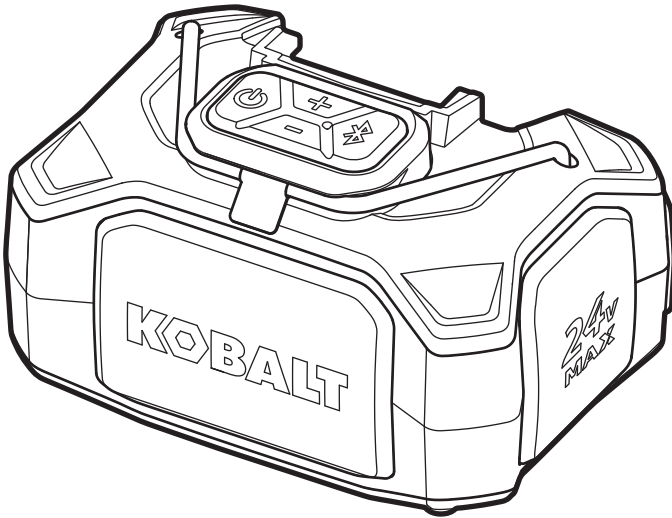


# KOBALT™



ITEM #XXXXXX

## BLUETOOTH SPEAKER

MODEL #KBTS124B-03

Español p. 11

---

ATTACH YOUR RECEIPT HERE

Serial Number \_\_\_\_\_ Purchase Date \_\_\_\_\_



**Questions, problems, missing parts?** Before returning to your retailer, call our customer service department at 1-888-3KOBALT (1-888-356-2258), 8 a.m. - 8 p.m., EST, Monday - Friday.

ABXXXX

## TABLE OF CONTENTS

---

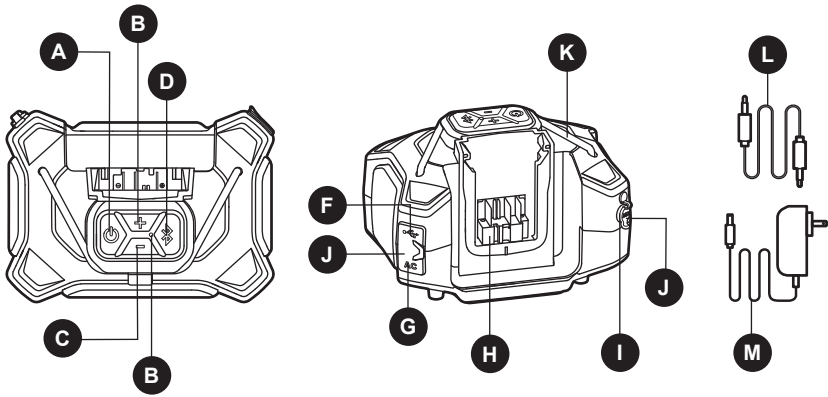
Product Specifications.....	2
Package Contents.....	3
Safety Information.....	4
Preparation.....	6
Operating Instructions.....	7
Care and Maintenance.....	9
Troubleshooting.....	10
Warranty.....	10

## PRODUCT SPECIFICATIONS

---

COMPONENT	SPECIFICATION
Rated input	24V d.c.
USB output voltage	5 V d.c.
USB output current	Max. 2.1 A

## PACKAGE CONTENTS



PART	DESCRIPTION
A	ON/OFF button
B	Volume + button
C	Volume – button
D	Bluetooth-pairing button
E	Indicator
F	USB power port
G	DC IN jack

PART	DESCRIPTION
H	Electric contacts
I	Audio IN jack
J	Dustproof cover(2)
K	Lanyard
L	Audio wire
M	AC adaptor

### **⚠** WARNING

- Remove the tool from the package and examine it carefully. Do not discard the carton or any packaging material until all parts have been examined.
- If any part of the tool is missing or damaged, do not attach the battery pack or use the tool until the part has been repaired or replaced. Failure to heed this warning could result in serious injury.

## SAFETY INFORMATION

Please read and understand this entire manual before attempting to assemble or operate this product. If you have any questions regarding the product, please call customer service at 1-888-3KOBALT, 8 a.m. - 8 p.m., EST, Monday - Friday.

### Know the Tool




To operate this tool, carefully read this manual and all labels affixed to the tool before using it. Keep this manual available for future reference.

### Important

This tool should be serviced only by a qualified service technician.

### Read All Instructions Thoroughly

Some of the following symbols may be used on this tool. Please study them and their meaning. Proper interpretation of these symbols will allow you to operate the tool better and more safely.

SYMBOL	DEFINITION	SYMBOL	DEFINITION
V	Volts	 or d.c.	Direct Current
	WARNING – To reduce the risk of injury, user must read instruction manual.		A danger, warning or caution. It means 'Attention! Your safety is involved.'

## IMPORTANT SAFETY INSTRUCTIONS

### WARNING

- **Read all safety warnings, instructions, illustrations and specifications provided with this power tool.** Failure to follow all instructions listed below may result in electric shock, fire and/or serious injury.
- **To reduce the risk of fire or electric shock, do not expose this apparatus to rain or moisture. Dry location use only.**
- **Only operate this apparatus in a well ventilated area.**
- **Read these instructions.**
- **Keep these instructions.**
- **Heed all warnings.**
- **Follow all instructions.**
- **Do not use this apparatus near water.**
- **Clean only with dry cloth.**
- **Do not block any ventilation openings.** Install in accordance with the manufacturer's instructions.
- **Do not install near any heat sources such as radiators, heat registers, stoves, or other apparatus (including amplifiers) that produce heat.**



## SAFETY INFORMATION

---

- **Do not defeat the safety purpose of the polarized or grounding-type plug.** A polarized plug has two blades with one wider than the other. A grounding type plug has two blades and a third grounding prong. The wide blade or the third prong is provided for your safety. If the provided plug does not fit into your outlet, consult an electrician for replacement of the obsolete outlet.
- **Protect the power cord from being walked on or pinched particularly at plugs, convenience receptacles, and the point where they exit from the apparatus.**
- **Only use attachments/accessories specified by the manufacturer.**
- **Use only with the cart, stand, tripod, bracket, or table specified by the manufacturer, or sold with the apparatus. When a cart is used, use caution when moving the cart/apparatus combination to avoid injury from tip-over.**
- **Unplug this apparatus during lightning storms or when unused for long periods of time.**
- **Refer all servicing to qualified service personnel.** Servicing is required when the apparatus has been damaged in any way, such as power-supply cord or plug is damaged, liquid has been spilled or objects have fallen into the apparatus, the apparatus has been exposed to rain or moisture, does not operate normally, or has been dropped. Service or maintenance performed by unqualified personnel could result in a risk of injury.
- **A battery operated apparatus with integral batteries or a separate battery pack must be recharged only with the specified charger for the battery.** A charger that may be suitable for one type of battery may create a risk of fire when used with another battery.
- **Never disassemble the apparatus or try to do any rewiring on the apparatus's electrical system.**
- **Maintain the apparatus. Check for misalignment, breakage of parts and any other condition that may affect the apparatus operation. If damaged, have the apparatus repaired before use. Use the apparatus in accordance with these instructions, taking into account the working conditions and the work to be performed.** Use of the apparatus for operations different from those intended could result in a hazardous situation.
- **Keep the apparatus away from other metal objects, such as paper clips, coins, keys, nails, screws, or other small metal objects that can make a connection from one terminal to another.** Shorting the terminals together may cause burns or a fire.
- **Do not use the apparatus if it has been dropped or received a sharp blow. A damaged apparatus will increase the risk of fire.**
- **Dispose of a used battery promptly. Keep away from children.** Do not disassemble and do not dispose of in fire.
- **For use with KOBALT 24V battery packs. Use of any other battery packs may create a risk of injury and fire.**
- **Save these instructions.** Refer to them frequently and use them to instruct others who may use this product. If you loan someone this product, loan them these instructions also.

### Federal Communications Commission



#### WARNING

- Changes or modifications to this unit not expressly approved by the party responsible for compliance could void the user's authority to operate the equipment.
- This device complies with Part 15 of the FCC Rules. Operation is subject to the following two conditions: (1) this device may not cause harmful interference, and (2) this device must accept any interference received, including interference that may cause undesired operation.

## SAFETY INFORMATION

---

**NOTE:** This equipment has been tested and found to comply with the limits for a Class B digital device, pursuant to Part 15 of the FCC Rules. These limits are designed to provide reasonable protection against harmful interference in a residential installation. This equipment generates, uses and can radiate radio frequency energy and, if not installed and used in accordance with the instructions, may cause harmful interference to radio communications. However, there is no guarantee that interference will not occur in a particular installation. If this equipment does cause harmful interference to radio or television reception, which can be determined by turning the equipment off and on, the user is encouraged to try to correct the interference by one or more of the following measures:

- Reorient or relocate the receiving antenna.
- Increase the separation between the equipment and receiver.
- Connect the equipment into an outlet on a circuit different from that to which the receiver is connected.
- Consult the dealer or an experienced radio/TV technician for help.

### DANGER:

- People with electronic devices, such as pacemakers, should consult their physician(s) before using this product. Operation of electrical equipment in close proximity to a heart pacemaker could cause interference or failure of the pacemaker.

RF warning statement:

The device has been evaluated to meet general RF exposure requirement. The device can be used in portable exposure condition without restriction.

## PREPARATION

---

### Know Your Bluetooth Speaker

Before attempting to use the Bluetooth speaker, familiarize yourself with all of its operating features and safety requirements.

### WARNING

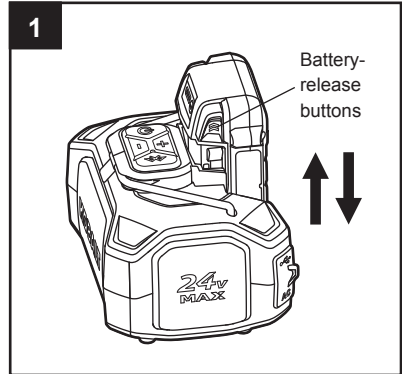
- Do not allow familiarity with the apparatus to cause carelessness. Remember that one careless moment is enough to cause severe injury. Before attempting to use any apparatus, be sure to become familiar with all of the operating features and safety instructions.
- Do not attempt to modify this apparatus or create accessories not recommended for use with this apparatus. Any such alteration or modification is misuse and could result in a hazardous condition leading to possible serious personal injury.

## OPERATING INSTRUCTIONS

### 1. To Attach Battery Pack

- a. Align the raised portion on the battery pack with the grooves on the bottom of the Bluetooth speaker, then slide the Bluetooth speaker onto the battery, as shown.
- b. Make sure that the battery-release buttons on the battery pack snap into place and the battery pack is secured to the Bluetooth speaker before beginning operation.

**NOTICE:** When placing the battery pack on the tool, be sure that the raised rib on the battery pack aligns with the groove on the tool and the latches snap into place properly. Improper assembly of the battery pack can cause damage to internal components.



### To Detach Battery Pack

- a. Press the battery-release buttons to release the battery pack.
- a. Pull forward on the Bluetooth speaker to remove it from the battery.

### 2. DC IN Jacket

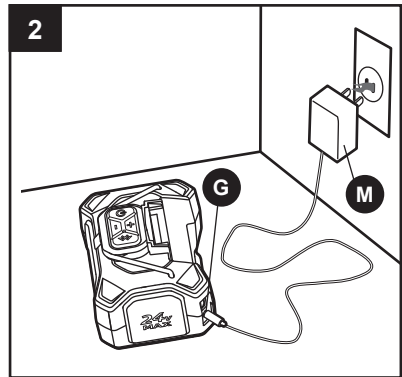
The Bluetooth speaker can be also powered by an AC power supply (normal household current). To connect the Bluetooth speaker to an AC power supply:

Insert the charging plug of the AC adaptor (M) into the DC IN jack (G); make sure that they are properly connected.

Connect the AC adaptor to the power outlet.

**NOTE:** Turn off the unit before connecting or disconnecting the AC adaptor. Otherwise, it may cause malfunction.

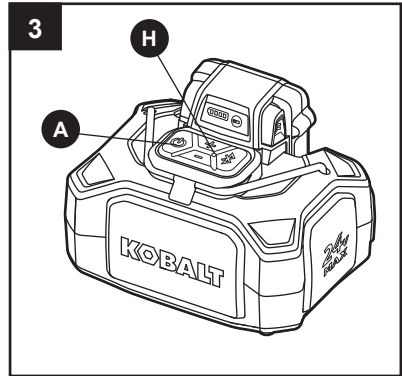
**NOTE:** Do not insert any small objects into the jacks or ventilation hole on the unit. The unit may short out or malfunction.



## OPERATING INSTRUCTIONS

### 3. Turn the speaker ON/OFF

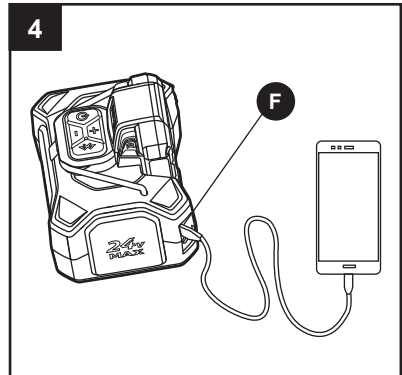
- To turn on the Bluetooth speaker, press and hold the ON/OFF button (A) for approximately 3 seconds; the indicator (E) will illuminate a blue light and begin to flash to indicate that the Bluetooth speaker is active.
- To turn off the Bluetooth speaker, press and hold the ON/OFF for button approximately 3 seconds; the blue light will be off to indicate that the Bluetooth speaker is deactivated.
- When the Bluetooth speaker is not in use for about 10 minutes, the Bluetooth speaker will automatically turn off, and the blue light will be off.



### 4. USB Power Port

When a battery pack is installed or the speaker is connected to an AC power supply, and the speaker is turned on, the USB power port (F) on the Bluetooth speaker supplies a charging site for your cell phone or other small USB device (5 Volt DC, up to 2.1 Amp).

**NOTE:** Any device that uses more than 2.1 A of DC electrical current will trip a self-resetting overload switch and disable the output. To reactivate the Bluetooth speaker, remove the device and turn on the Bluetooth speaker.



### 5. Volume

Use the Volume + button (B) and Volume - button (C) to increase or decrease the volume of the speaker.

**NOTE:** To control the volume by using the paired device's controls, first turn the speaker volume to max (a beep will sound).



## OPERATING INSTRUCTIONS

---

### 6. Connecting to Bluetooth

- a. Press and hold the ON/OFF button (A) approximately 3 seconds to turn the Bluetooth speaker on. The speaker will default to Bluetooth pairing mode, and the indicator (E) will flash blue light continuously.
- b. If previously paired to the desired device, the speaker will automatically reconnect to the same device when the speaker is turned on.
- c. If no Bluetooth device was previously paired, the speaker will continue to search for a signal for 10 minutes.
- d. Once the device has successfully paired with the speaker, use the device controls to move through tracks and to control volume.
- e. To pair the speaker to a different device, press and hold the Bluetooth pair button (D) for 3 seconds until the indicator light flashes. The speaker will then be in Bluetooth pair mode and can be connected to a different device. Consult the instructions for your device.

### 7. Connecting to AUX Device

- a. Insert the plug of audio wire into the audio IN jack (I), and make sure that they are properly connected.
- b. Press and hold the ON/OFF button (A) approximately 3 seconds to turn the Bluetooth speaker on. The speaker will be in AUX mode and the indicator (E) will illuminate a blue light.
- c. Connect an MP3 player, CD player, or other audio device directly to the speaker, using the audio wire.

**NOTE:** In the absence of a connection to an audio wire, the speaker will enter into the Bluetooth pairing mode. When connected to an audio wire, the speaker will change from Bluetooth pairing mode to audio mode.

## CARE AND MAINTENANCE

---



All maintenance should only be carried out by a qualified service technician.



### WARNING

- To reduce the risk of personal injury and damage, never immerse your speaker, battery pack or charger in liquid or allow a liquid to flow inside them.

### Cleaning

Before cleaning or performing any maintenance, remove the battery from the Bluetooth speaker. For safe and proper operation, always keep the Bluetooth speaker clean.

Always use only a soft, dry cloth to clean the Bluetooth speaker never use detergent or alcohol. Clean dust and debris from vents. Keep the speaker handle clean, dry and free of oil or grease.

Never use flammable or combustible solvents around tools.

## TROUBLESHOOTING

---



### WARNING

- Remove battery from the Bluetooth speaker before performing troubleshooting procedures.

PROBLEM	POSSIBLE CAUSE	CORRECTIVE ACTION
The Bluetooth speaker does not work.	1. Low battery capacity.	1. Charge the battery.
	2. The device draws more than the rated output of the ports.	2. Remove the device and turn the Bluetooth speaker on again.
Bluetooth speaker is not properly paired with audio device by Bluetooth.	1. Out of Bluetooth pairing range.	1. Move your device or speaker into 30m connecting range.
	2. The speaker is connected to the audio wire.	2. Unplug the wire and connect the speaker by Bluetooth.
	3. Wrong action of pairing operation.	3. Refer to Connecting to Bluetooth and correctly pair the audio device to the speaker.

## WARRANTY

---

For 5 years from the date of purchase, the power tool is warranted for the original purchaser to be free from defects in material and workmanship. This guarantee does not cover damage due to abuse, normal wear, improper maintenance, neglect, unauthorized repair/alteration, or expendable parts and accessories expected to become unusable after a reasonable period of use.

If you think your product meets the above guarantee criteria, please return it to the place of purchase with valid proof of purchase and the defective product will be repaired or replaced at no charge. This guarantee gives you specific legal rights, and you may also have other rights that vary from state to state.

L G Sourcing, Inc. N. Wilkesboro, NC 28659

Printed in China