

Old number	
Number	
Signature	
Date	

main PCB Schematic		4640307001	
VERSION	A	WEIGHT	9
SCALE	1:1	IMP DEGREE	
DESIGNED BY	冯继丰	SHEET	
CHECKED BY			
APPROVED BY	杨德中		
REV NO	ZONE	REVISION NOTE	

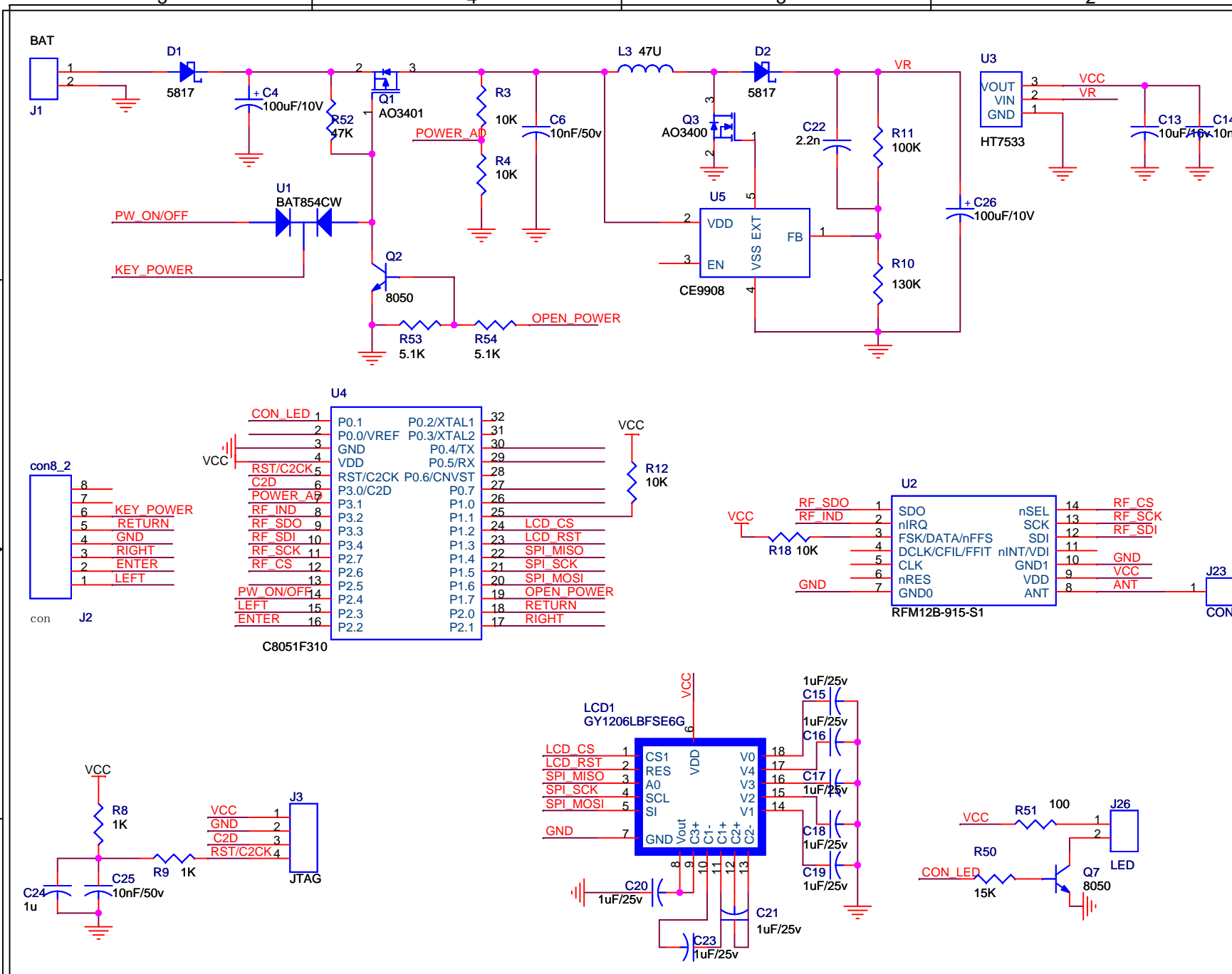


D

C

B

A



4640309001	g																	
telecontrol PCB Schematic	WEIGHT		IMP DEGREE															
	VERSION	A	SCALE	1:1	SHEET													
	DESIGNED BY		冯继丰		CHECKED BY		杨德中		APPROVED									
OLD NUMBER	NUMBER		SIGNATURE		DATE		REVISION NOTE		ZONE		REV NO							



杨德中

冯继丰

REVISION NOTE

ZONE

REV NO

DATE

SIGNATURE

NUMBER

OLD NUMBER