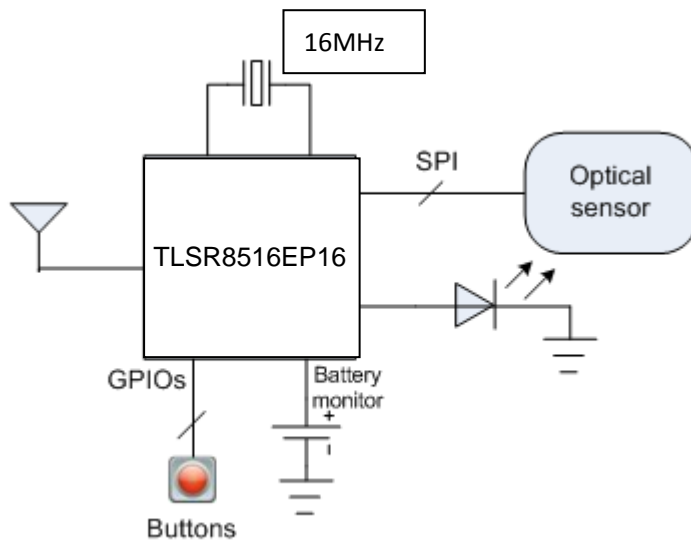


## CIRCUIT DESCRIPTION

### 1. Mouse Block Diagram



2. The SOC chip of TL8516EP16 integrates an advanced RF transceiver, a powerful MCU. Which in charge of RF transceiver, system control.
3. Y1 provide a clock signal 16MHz for the MCU and RF
4. Power Supply: DC 1.5V By battery ,which via a DC/DC conversion circuit to supply system Voltage.
5. Modulation type: MSK ( Minimum frequency Shift Keying )
6. Frequency: 2405MHz- 2470MHz
7. The PCB Antenna gain: -1dBi.
8. RF link data rate up to 2Mbps
9. Number of Working channels: 8channels

Frequency list			
Channel	Frequency (MHz)	Channel	frequency (MHz)
1	2405	5	2440
2	2413	6	2450
3	2422	7	2460
4	2430	8	2470

10. Into EMI mode for mouse has three step:

- 1 Push left & right & middle three buttons.
- 2 power on.
- 3 release the three buttons.

Channel 1, 4, 8 were selected to test.

- 1: 2405
- 4: 2430
- 8: 2470