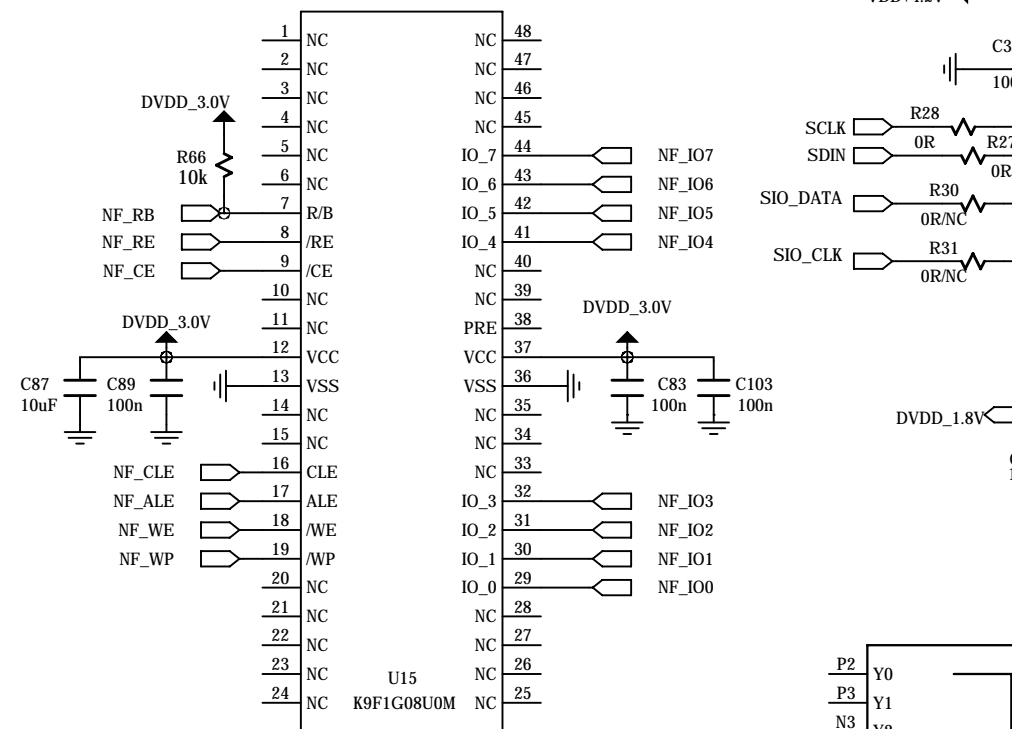
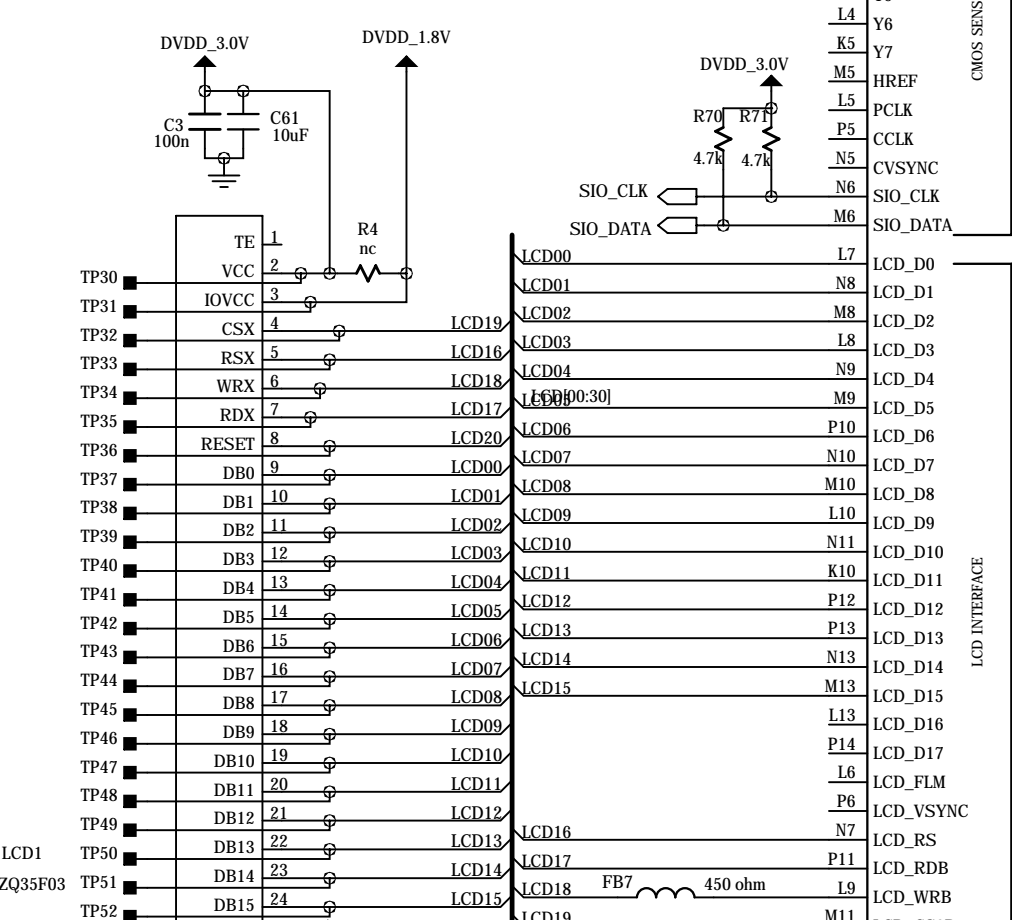
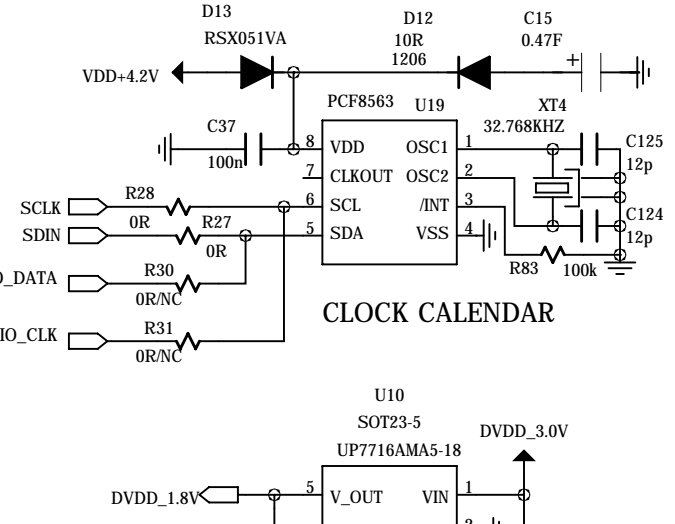


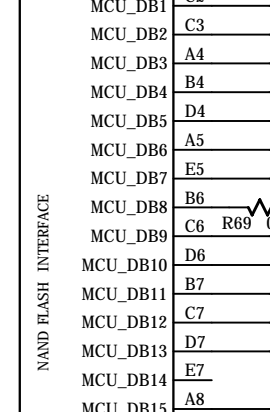
128M NANDFLASH



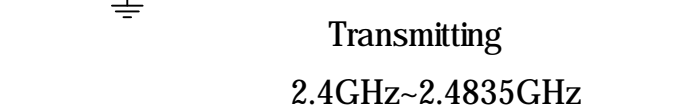
CLOCK CALENDAR



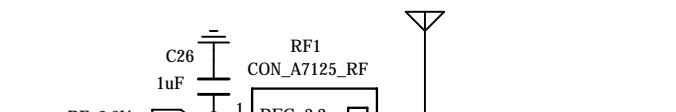
U11-A OV782



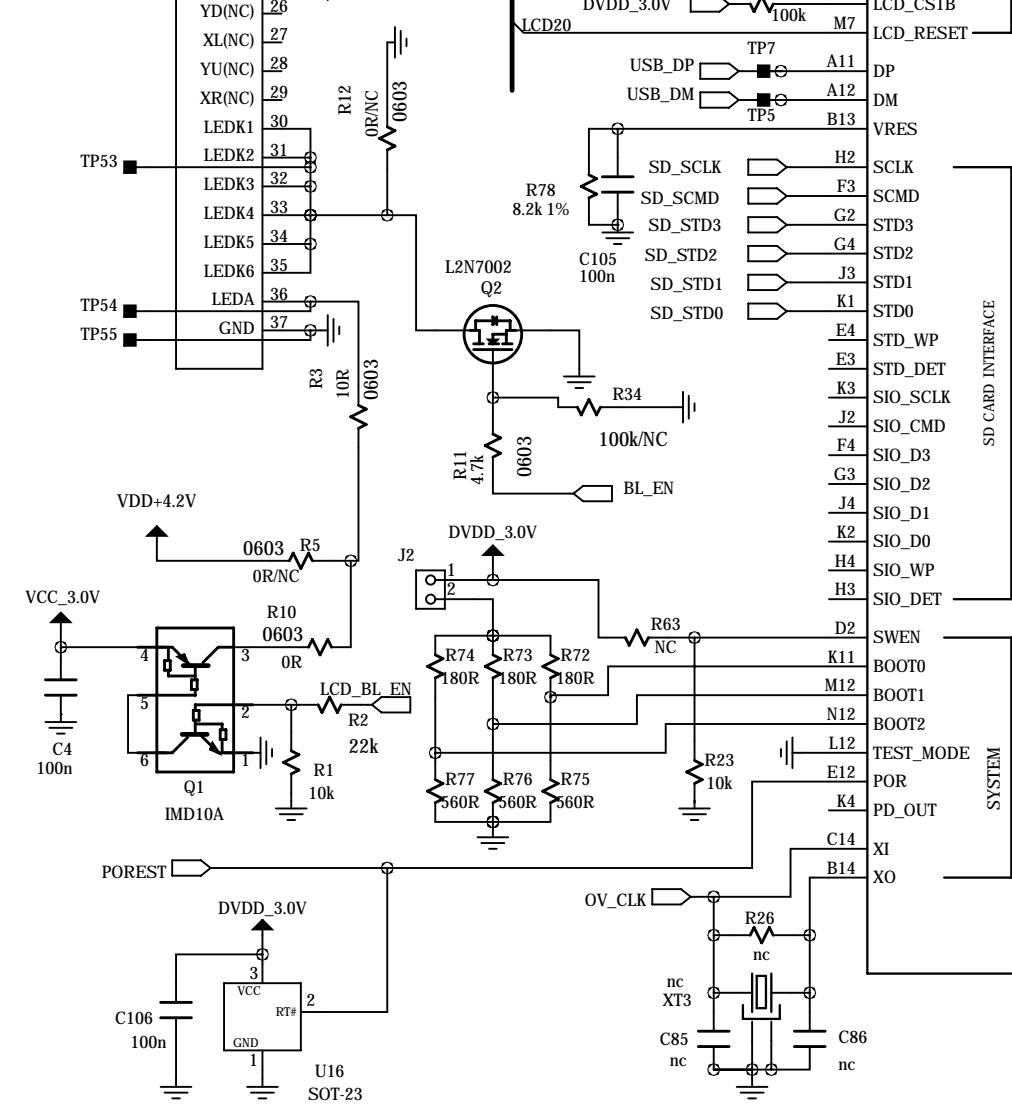
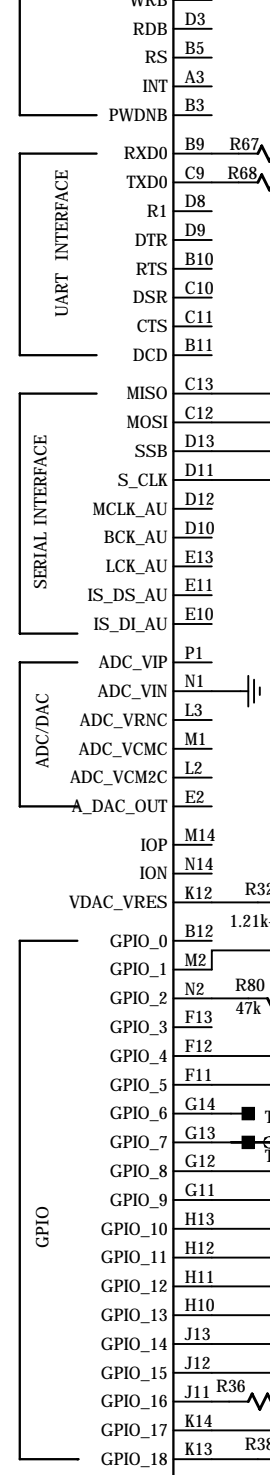
Transmitting



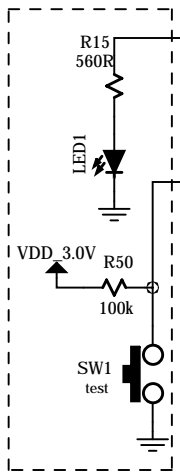
Receiving



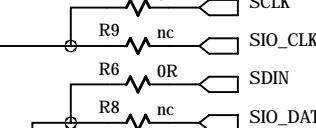
QC Mode Test Selection



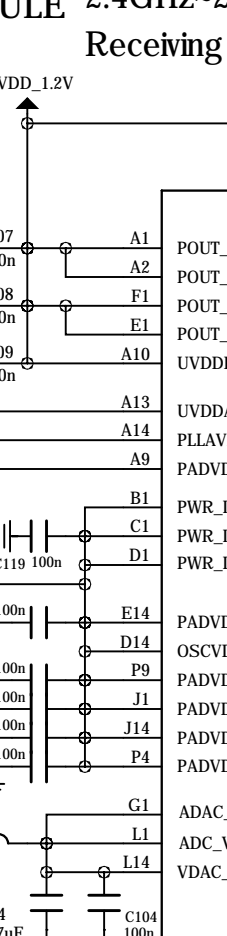
Test use



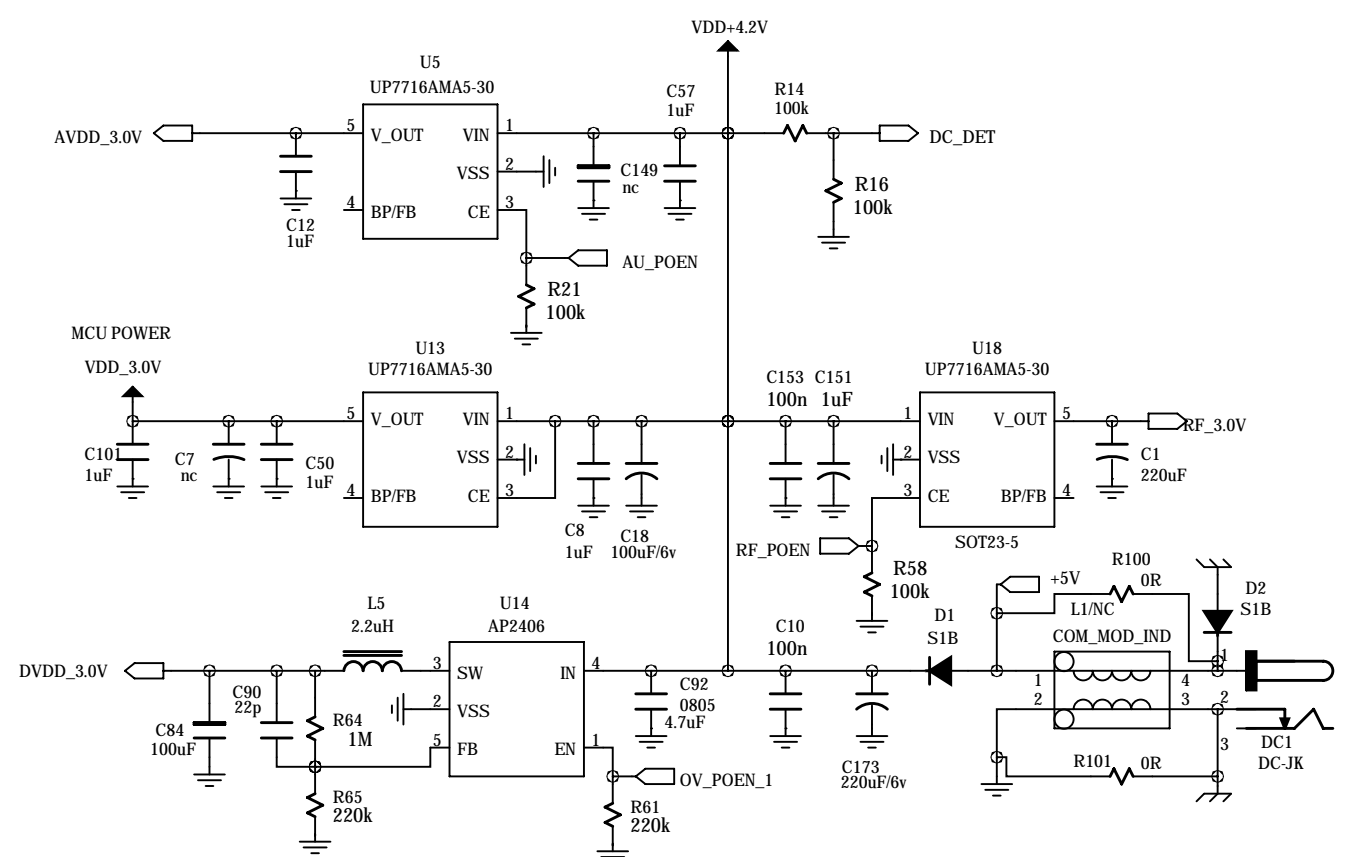
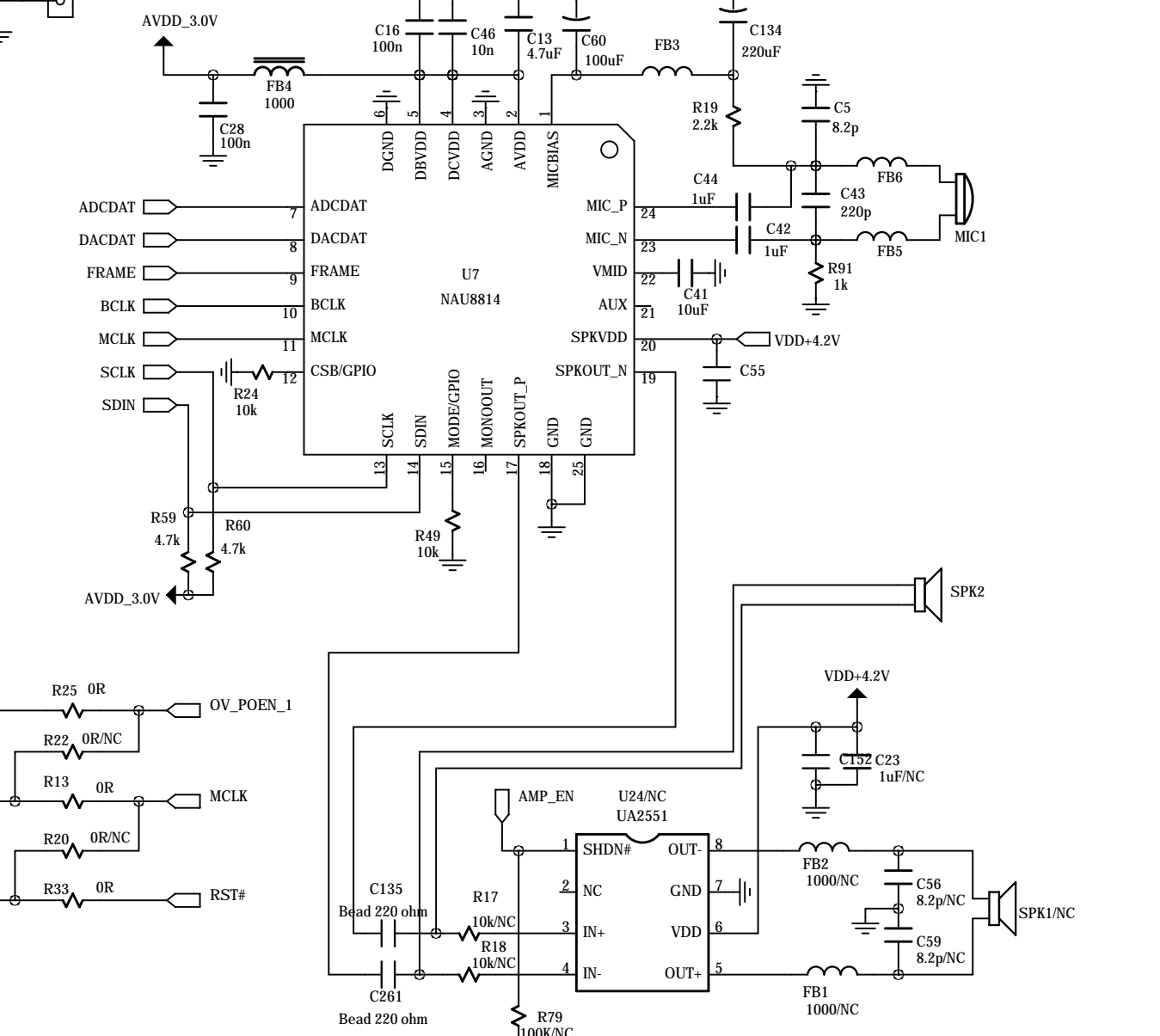
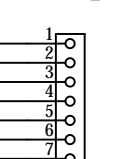
Connect to touch key board



CON1



J1 CON7_2.0



DRAWN: Cary TSOI		DATED: 2013.02.26		TITLE: Legrand Wireless Video Door Phone	
CHECKED: <Checked By>	DATED: <Checked Date>	CODE: <Code>	SIZE: A2	DRAWING NO: VDP1188H-1.1	REV:
QUALITY CONTROL: <QC By>	DATED: <QC Date>	SCALE: <Scale>		SHEET: 1	1
RELEASED:	DATED: <Release Date>				

COMPANY: **VOCENTRIX (SZ) LTD**