

## Notes for all manufacturers' alarm panels

To relay signals from the BAT to a Central Station, please visit 'AlarmDealer.Com' -> 'Device Profile' for the specified BAT and enter the following information:

IpDatatel suggests a daily or weekly test signal be generated from the control panel to verify functionality of all related communication systems.

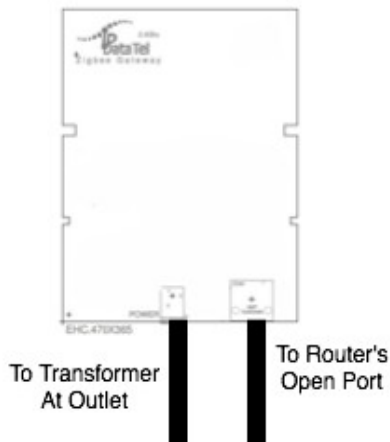
Warranty Information: Please see "BAT Troubleshooting Guide / Warranty Information."

'Station Phone' = Central Station Receiver Number.

'Caller Phone' = Caller ID information for tracking. Ipdatatel recommends using the customer's main or cell number.

**This step must be performed for signals to be sent to the Central Station.**

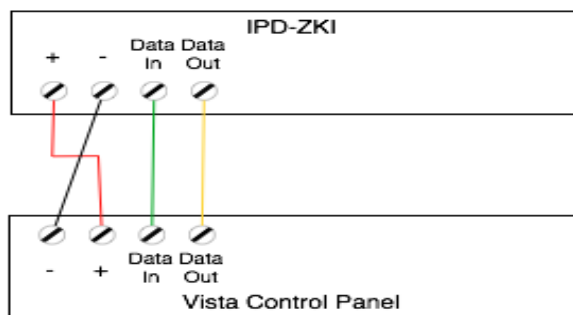
## ZGW Wiring Diagram



## Vista Installation and Programming

### Wiring Diagram:

## KZI Wiring Diagram



## Vista Programming Guide

Ipdatatel suggests that any GSM modules used in conjunction with a BAT be configured in dialer-capture or bell-follower mode. If this is not available, BAT must be set in 'Vista Passive' mode in 'AlarmDealer.Com' -> 'Device Profile' for the selected BAT.

### Vista Programming Guide, Continued For BAT as Sole Communicator

Program Position \*29: Enter 1  
 Program Position \*43: Enter Account Number  
 Program Position \*49: Enter 5  
 Program Position \*54: Enter 0  
 Program Position \*55: Enter 1  
 Program Position \*65: Enter 1  
 Program Position \*66: Enter 1,1  
 Program Position \*193: Enter 10

### FOR BAT in use with another comm. device

For Failover ( Not Dual Reporting )

Program Position \*29: Enter 1  
 Program Position \*42: Enter Central Station Receiver Number  
 Program Position \*43: Enter Account Number  
 Program Position \*49: Please refer to panel manual for your particular application requirements.  
 Program Position \*54: Enter 2  
 Program Position \*55: Enter 1  
 Program Position \*65: Enter 1  
 Program Position \*66: Enter 1,1  
 Program Position \*193: Enter 10

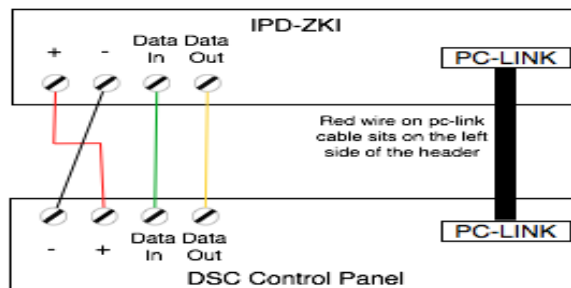
For Dual Reporting ( Not Failover, Built-In Redundancy )

Program Position \*29: Enter 1  
 Program Position \*42: Enter Central Station Receiver Number  
 Program Position \*43: Enter Account Number  
 Program Position \*49: Please refer to panel manual for your particular application requirements.  
 Program Position \*54: Enter 0  
 Program Position \*55: Enter 0  
 Program Position \*65: Enter 1  
 Program Position \*66: Enter 1,1  
 Program Position \*193: Enter 10

## DSC Installation and Programming

### Wiring Diagram:

## KZI Wiring Diagram



## DSC Programming Guide

### For BAT as Sole Communicator

Section 015: Disable Option 7  
 Section 167: Set '060' Seconds  
 Section 301: Set 'DCAAF' \*  
 Section 310: Set 'six digit account number' \*\*  
 Section 350: Set '04' / '04'  
 Section 351: Enable Option 1  
 Section 359: Enable Option 1  
 Section 367: Enable Option 1  
 Section 375: Enable Option 1  
 Section 376: Enable Option 1  
 Section 380: Enable Option 1  
 Section 381: Disable Option 3, Enable Option 5  
 Section 382: Enable Option 5  
 Section 389: Set '003' Seconds  
 Section 401: Enable Option 1

### FCC Warning

This equipment has been tested and found to comply with the limits for a Class A digital device, pursuant to Part 15 of the FCC Rules. These limitations are designed to provide reasonable protection against harmful interference in residential installation. This equipment generates, uses and can radiate radio frequency energy and, if not installed and used in accordance with the instructions, may cause harmful interference to radio communications. However, there is no guarantee that interference will not occur in a particular installation. If this equipment does cause harmful interference to radio or television reception, which can be determined by turning the equipment off and on, the user is encouraged to try to correct the interference by one or more of the following measures:

- Reorient or relocate the receiving antenna.
- Increase the separation between the equipment and receiver.
- Connect the equipment into a different outlet from that the receiver is connected.
- Consult your local distributors or and experiences radio/TV technician for help.
- Shielded interference cables must be used in order to comply with emission limits.

Changes or modifications to the equipment, which are not approved by the party responsible for compliance could affect the user's authority to operate the equipment.

(Continued)

### DSC Programming Guide, Continued

#### FOR BAT in use with another comm. device

For Failover ( Not Dual Reporting )

If GSM is used, it must be in dialer capture mode

Section 015: If GSM, Disable Option 7. If Phone Line, Enable Option 7

Section 167: Set '060' Seconds

Section 301: Set 'DCAAF' \*

Section 303: Set 'Central Station Phone #'

Section 310: Set 'six digit account number' \*\*

Section 350: Set '04' / '03 for ContactID, 04 for SiaFSK' (See GSM Manual or Central Station information)

Section 351: Enable Options 1,5

Section 359: Enable Options 1,5

Section 367: Enable Options 1,5

Section 375: Enable Options 1,5

Section 376: Enable Options 1,5

Section 380: Enable Options 1,5

Section 381: Disable Option 3, Enable Options 5,6

Section 382: Enable Option 5

Section 389: Set '003' Seconds

Section 401: Enable Option 1

For Dual Reporting ( Not Failover, Built-In Redundancy )

BAT plus GSM or Phone Line

If GSM is used, it must be in dialer capture mode

Section 015: If GSM, Disable Option 7. If Phone Line, Enable Option 7

Section 167: Set '060' Seconds

Section 301: Set 'DCAAF' (First character 'D' is usually default, check panel manual)

Section 302: Set 'Central Station Phone #'

Section 303: Set 'Central Station Phone #'

Section 310: Set 'six digit account number' \*\*

Section 350: Set '04' / '03 for ContactID, 04 for SiaFSK' (See GSM Manual or Central Station information)

Section 351: Enable Options 1,2,5

Section 359: Enable Options 1,2,5

Section 367: Enable Options 1,5 ( For Sending Open / Close to Central Station, Enable 2)

Section 375: Enable Options 1,2,5

Section 376: Enable Options 1,2,5

Section 380: Enable Options 1,5

Section 381: Disable Option 3, Enable Options 5,6

Section 382: Enable Option 5

Section 389: Set '003' Seconds

Section 401: Enable Option 1

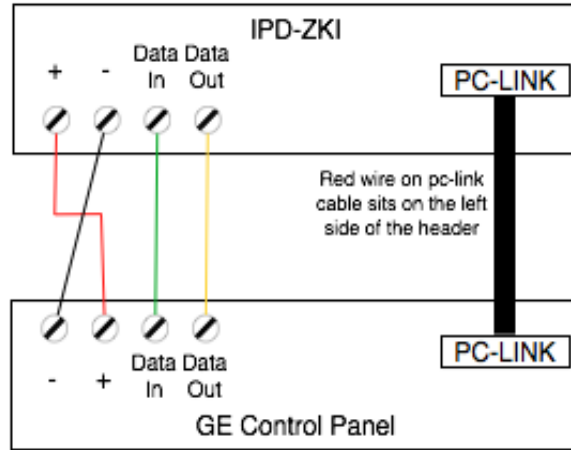
\* Please note that the leading 'D' is usually pre-programmed as an unchangeable first character. In this instance, you would only input 'CAAF'. Please consult your panel programming guide to verify your particular panel's configuration.

\*\* Some Central Station receivers have problems supporting a four-digit account number with SiaFSK. If alarm signals are not acknowledged correctly, please edit the account number field in the panel and add leading zero's in front of the account number, i.e. 001234.

## GE Networkx Installation and Programming

### Wiring Diagram:

### KZI Wiring Diagram



### GE Programming Guide

As with existing devices in the Networkx family, the BAT is automatically enrolled with the control panel when the panel exits programming mode. BAT registers as a keypad and a communications device on addresses 240 and 76, respectively.

All signals are read directly from the panel memory, so any call directions and / or reporting codes programmed are specifically for other communication devices, such as the panel dialer. For Central Station monitoring, the account number for the customer **MUST** be entered into 'AlarmDealer.Com' -> 'Device Profile' and the box labeled 'Override Account No.' must be checked. **If this is not done, all alarm signals sent to the Central Station will arrive with an incorrect account number attached.** BAT must be power-cycled after making this change.

#### For BAT as Sole Communicator

Device 0, Location 0: Enter '14' ( No phone number needed)  
Device 0, Location 1: Enter Account Number  
Device 0, Location 2: Enter '0'  
Device 0, Location 37, Segment 1: Disable Options 1,2  
Device 0, Location 37, Segment 3: Disable Option 6  
Device 0, Location 39, Segment 1: Disable Options 1,2  
Device 0, Location 40, Segment 5: Enter '0'  
For Failover and / or Dual Reporting  
Configure the panel as normal for phone line communications.  
The BAT will receive all signals from the panel regardless of reporting codes.

Designed By IpDatatel, Inc.

Broadband Alarm Transmitter



13110 Southwest Freeway, Sugar Land, Texas 77478  
Toll Free 866-896-1818  
www.ipdatatel.com

### BAT Installation Guide

Doc# V4R5

#### Digital Security Controls LTD. (DSC)

DSC PowerSeries  
PC1616/PC1832/PC1864  
Version 4.13 and above REV 03 Hardware

#### Honeywell (ECP MODE, Fully Supervised)

Vista 10P / Vista 10Psia REV 4.0/ Vista 15P  
Vista 20P / Vista 20PS / Vista 20PCN/  
Vista 20Psia REV-7.0 / Vista-128B /  
Vista-128BP / Vista-128FB / Vista-128FBP / Vista-250BP/  
Vista-250FBP /

#### GE

Networkx NX-4V2 / NX-6V2 / NX-8V2

#### First Alert

FA130 / FA148 / FA168

Honeywell Vista® is a trademark of Honeywell, Inc.  
DSC is a registered trademark of Digital Security Controls Ltd.  
First Alert is a registered trademark of BRK Brands, Inc.  
GE is a registered trademark of General Electric Company