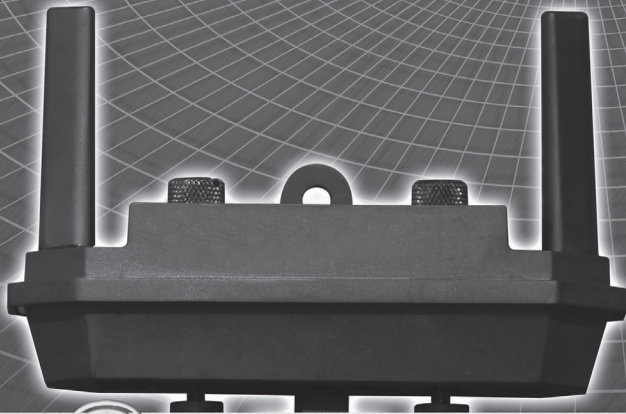



MODEL # YN1


FIELDNET™
WiFiTechnology



DIGITAL GAME SCOUTING CAMERAS



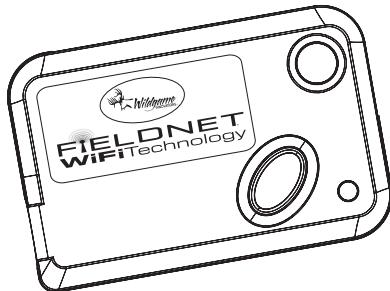
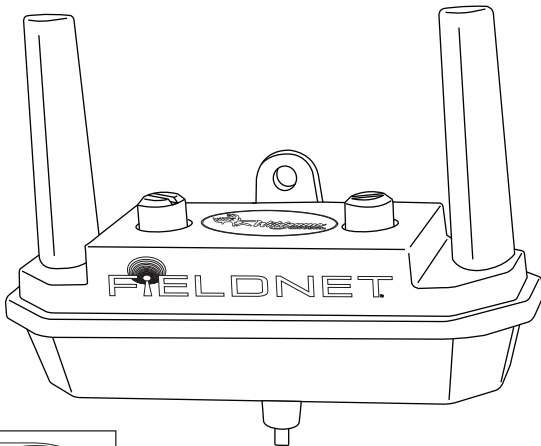

FIELDNET™
WiFiTechnology
MODULE
with Remote Trigger

PRODUCT INFORMATION GUIDE

INCLUDED PARTS

- 1) YN1 Module – (1)
- 2) Remote Control Unit – (1)
- 3) Product Information Guide – (1)

Note: Can only be used with Fieldnet™ WiFi Technology capable cameras.



HOW DOES FIELDNET™ WORK?



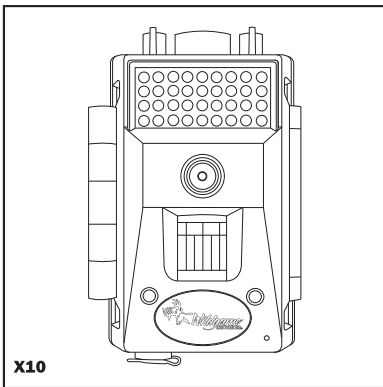
**ACCESS YOUR
CAMERA FROM
UP TO 300 FEET AWAY!**

**DETERMINE CAMERA MODEL
YOU ARE INSTALLING ONTO**

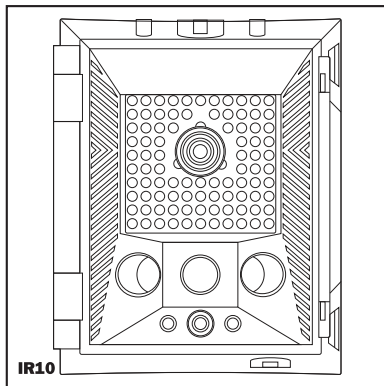
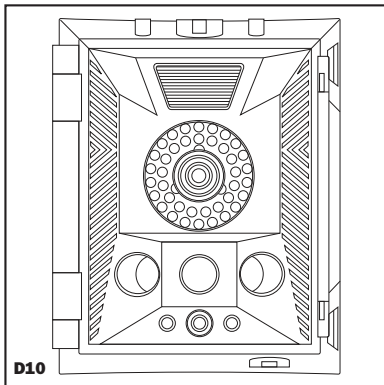
**YOU MUST DETERMINE THE
MODEL YOU ARE INSTALLING THE
YN1 UNIT ON, AS INSTALLATION
INSTRUCTIONS ARE DIFFERENT FOR
DIFFERENT MODELS.**

**MAKE SURE YOUR CAMERA IS POWERED OFF
BEFORE INSTALLING YN1 UNIT.**

**IF YOU ARE INSTALLING THE YN1 WIFI MODULE
ONTO THE X10 CAMERA, OR ANY VARIATION
THEREIN, PLEASE CONTINUE TO NEXT PAGE**

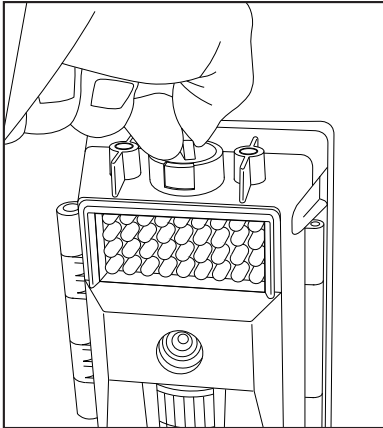


**IF YOU ARE INSTALLING THE YN1 WIFI MODULE
ONTO THE D10 OR IR10 CAMERA, , OR ANY
VARIATIONS THEREIN, PLEASE SKIP TO PAGE 6.**



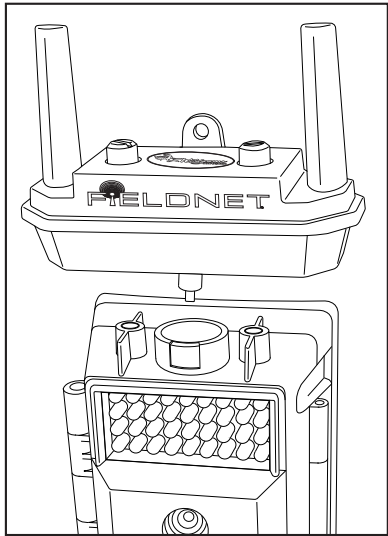
INSTALLATION ONTO X10 CAMERA

- 1 Unscrew and remove USB port protective cap from top of camera. (Illustration A)



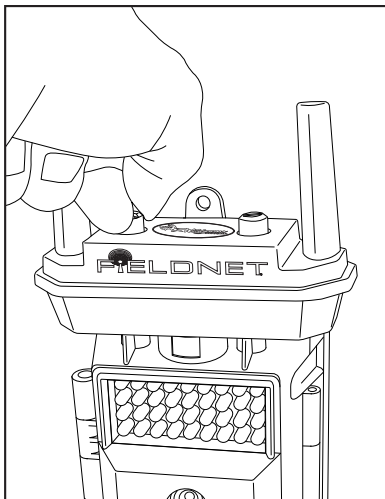
(Illustration A)

- 2 With the YN1 Wifi Module facing forward (mounting tab to back), as illustrated below, securely place onto the top of the camera so that the USB prong fits snugly into the USB insert. (Illustration B) **Note: Do not force the USB plug into port.**



(Illustration B)

- 3 Securely mount the YN1 module to camera by tightening the stabilizer screws on either side of the YN1 module. (Illustration C)

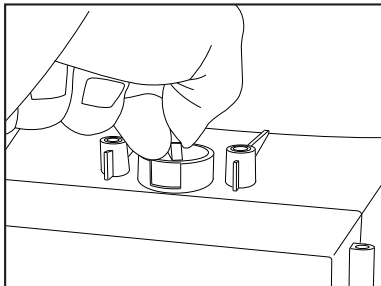


(Illustration C)

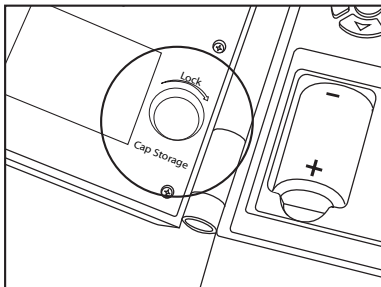
Note: If you uninstall the YN1 module, you must replace the USB port protective cap, or damage to the camera will occur. This damage will not be covered by warranty.

INSTALLATION ONTO D10 & IR10 CAMERAS

1 Unscrew and remove cap from top of camera and store the cap on the inside of the camera in the provided space. (Illustrations D&E)

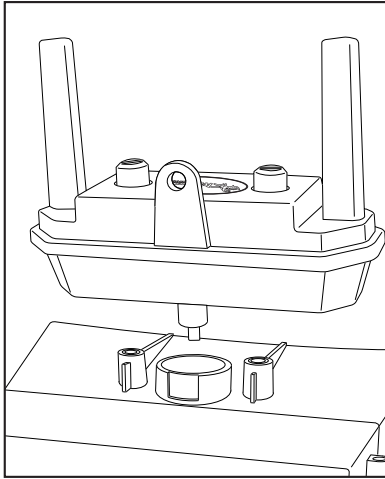


(Illustration D)



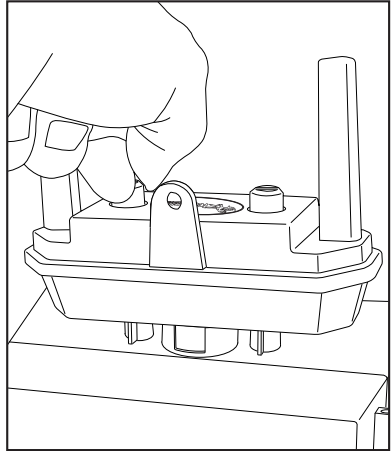
(Illustration E)

2 With the YN1 Wifi Module facing backwards, as illustrated below, place it onto the top of the camera so that the USB prong fits into the USB insert. (Illustration F) **Note: Do not force the USB plug into port.**



(Illustration F)

3 Screw the stabilizer screws on either side of the YN1 module into the camera. (Illustration G)



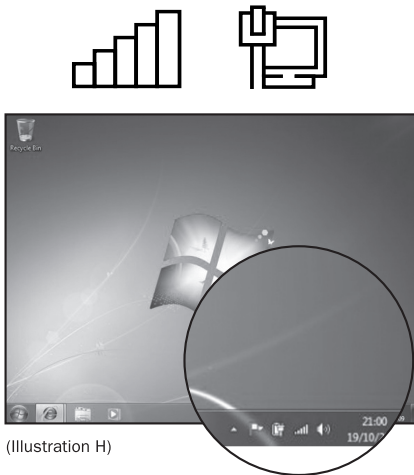
(Illustration G)

Note: If you uninstall the YN1 module, you must replace the USB port protective cap, or damage to the camera will occur. This damage will not be covered by warranty.

Note: To insure that the YN1 module is installed correctly, power on camera and make sure the LED on the YN1 module is on.

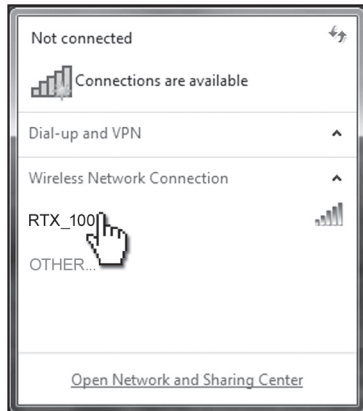
WINDOWS WIFI CONNECT

1 Click on the Connect to a Network icon in the notification area on the bottom right-hand corner of the screen. (Illustration H) Illustration is of Windows 7 default screen.



(Illustration H)

2 In the window that appears, you can now see the YN1 equipped camera. Here it is named "RTX_100." Click on the name to connect to the YN1 module. (Illustration I)



(Illustration I)

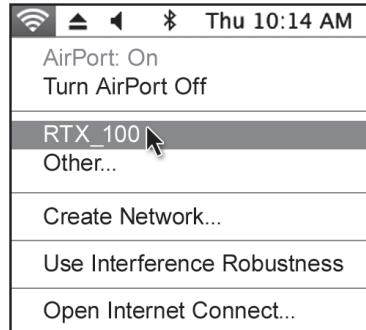
MAC OS X WIFI CONNECT

1 Click on the “AirPort” icon on the top right-hand corner of the screen. (Illustration J) Illustration is of Windows 7 default screen.



(Illustration J)

2 In the window that appears, you can now see the YN1 equipped camera. Here it is named “RTX_100.” Click on the name to connect to the YN1 module. (Illustration K)



(Illustration K)

NEXT STEPS

Go to www.wildgameinnovations.com to download the interface and information on how to use your computer with your YN1 equipped camera.

If using an iPhone or android phone with YN1, you must go to either iTunes or The Android Market to download the Fieldnet app. If you have trouble locating the app, please visit www.wildgameinnovations.com and go to the download section for more information.

IMPORTANT NOTES

Note: Can only be used with Fieldnet™ WiFi Technology capable cameras.

Note: If you unstage the YN1 module, you must replace the USB port protective cap, or damage to the camera will occur. This damage will not be covered by warranty.

Note: Do not force the USB plug into the port when installing.

Note: To insure that the YN1 module is installed correctly, power on camera and make sure the LED on the YN1 module is on.

DISCLAIMERS

WGI Innovations, LTD is not responsible for damage, expense or injury caused by the unauthorized use of, alterations to, improper connection of and abuse or neglect of the Wildgame Innovations™ YN1 WiFi Module.

WARRANTY

You must register your product warranty on line at www.wildgameinnovations.com. Follow the onscreen directions to complete the process.

WGI Innovations, LTD will repair all material or workmanship defects free of charge for ONE (1) YEAR after the date of purchase and thereafter the cost will vary per incident.

This warranty DOES NOT COVER damage, expense or injury caused by unauthorized repairs, alterations, improper connection, shipping, abuse, theft, accident, neglect or collateral loss.

When returning product for service you MUST obtain a Return Merchandise Authorization (RMA) number from WGI Innovations, LTD. Please include name, UPS address (no PO. Box), telephone number, RMA number and a complete description of the problem on all enclosed correspondence.

When possible pack product carefully in original carton. We are not responsible for damage incurred in returning items for repair.

CUSTOMER SERVICE

WGI Innovations, LTD stands behind every product we manufacture for a one year product workmanship warranty and a strong commitment to customer service. If you are in need of customer service for missing parts or need assistance with the operation or assembly of your product, we encourage you to call one of our customer service representatives and let us assist you with your Wildgame Innovations™ YN1 WiFi Module.

DISCLAIMER

WGI Innovations, LTD reserves the right to make changes to features, functionality and physical design at its sole discretion. As a result, such changes may not be reflected in this version of the manual.

FCC STATEMENT

Product Name: WiFi Module

Trade Name: Wildgame Innovations

Model# YN1

This device complies with Part 15 of the FCC Rules.

Operation is subject to the following two criteria: (1) This device may not cause harmful interference, and (2) This device must accept any interference received, including interference that may cause undesired operation.

Shielded USB cables with ferrite must be used with this unit to ensure compliance with the Class B FCC limits

Warning: Changes or modifications to this unit not expressly approved by the party responsible for compliance could void the user's authority to operate the equipment.

NOTE: This equipment has been tested and found to comply with the limits for a Class B digital device, pursuant to Part 15 of the FCC Rules. These limits are designed to provide reasonable protection against harmful interference in a residential installation. This equipment generates, uses and can radiate radio frequency energy and, if not installed and used in accordance with the instructions, may cause harmful interference to radio communications.

However, there is no guarantee that interference will not occur in a particular installation. If this equipment does cause harmful interference to radio or television reception, which can be determined by turning the equipment off and on, the user is encouraged to try to correct the interference by one or more of the following measures:

- Reorient or relocate the receiving antenna.
- Increase the separation between the equipment and receiver.

- Connect the equipment into an outlet on a circuit different from that to which the receiver is connected.
- Consult the dealer or an experienced radio/TV technician for help.

FCC Radiation Exposure Statement

This equipment complies with FCC radiation exposure limits set forth for an uncontrolled environment. This equipment should be installed and operated with minimum distance 20cm between the radiator & your body

WGI Innovations, LTD

602 Fountain Parkway, Grand Prairie, Texas 75050

Telephone: (800) 847-8269 Fax: (972) 352-6633

www.wildgameinnovations.com

"Wildgame Innovations" and the "Button Logo" are TM trademarks of Wildgame Innovations, LLC.

"FIELDNET" is a TM trademark of WGI Innovations, LTD.

"Sport Responsible" is a TM trademark of WGI Innovations, LTD.

***Sport
Responsible™***

