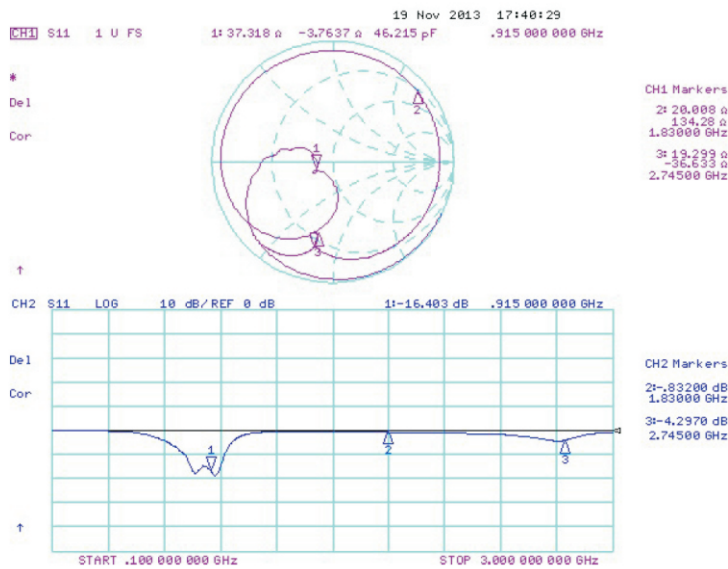
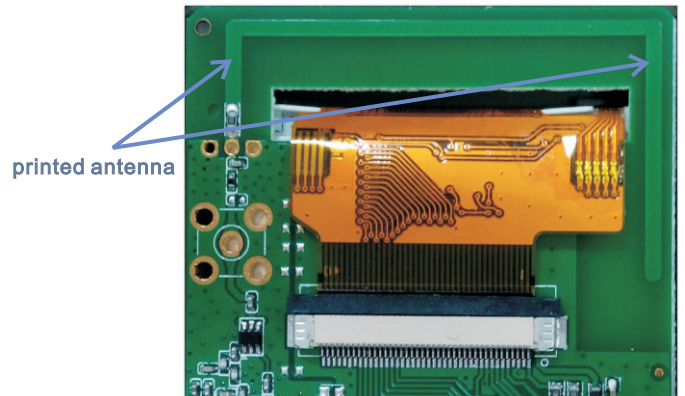
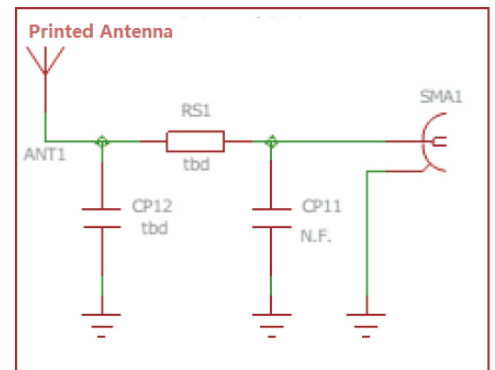


FLX500/1000 Remote controller antenna specification

1. Antenna Description: Printed Antenna on board
2. Antenna Type: MonoPole Antenna
3. Gain: -1 dBi max.
3. Impedance: 50 ohm

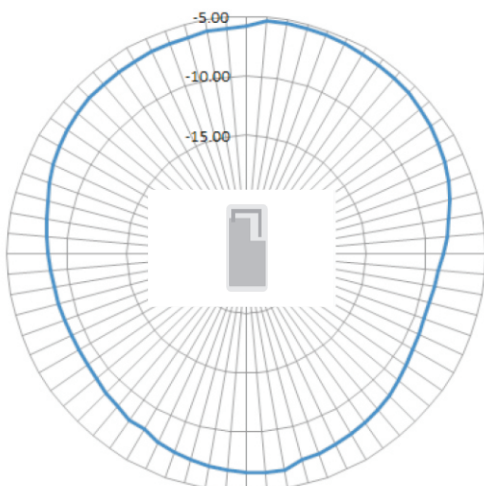


Measured Impedance (up to 3GHz) on the board



Antenna matching network s

Radiation Pattern in dBi, Medium size ILA XYV



Radiation pattern in dBi, Medium size ILA XZV

