

Specification for Approval

Customer: _____ **Synergy** _____

Project: _____ **FLX500** _____

Part No.: _____ **M15.0024-R0A** _____

Product: _____ **915MHz Antenna** _____

Dimensions: _____ **51.45*Ø5.0** _____

Sample: _____ **Mold kind** _____

Version: _____ **A** _____

Sample Delivery Date: _____ **2015-06-18** _____

Sample Confirmed Date: _____

Customer			Supplier		
Design & Development	Audit	Approval	R & D	Structure	Approval
Approval Date :			Approval Date : 2015-06-18		

Contents

1.Cover	1
2.Contents	2
3.Engineering Drawing.....	3
4.Testing & Processing	4
4.1 Matching Circuit.....	4
4.2 Antenna Performance Testing	5
5. Inspection Report.....	6
6.ROHS Report.....	7

ShenZhen MyAntenna RF Technology Co.,Ltd

R&D: RM 1501, Overseas Chinese Scholars Venture Building,
Shenzhen High-Tech Park, Nanshan, Shenzhen, P.R.China

Tel: 0755-86503881

Fax: 0755-27801677

Mail: nfc@imyantenna.com

Zip code: 518057

4. Testing & Processing

4.1 Matching Circuit

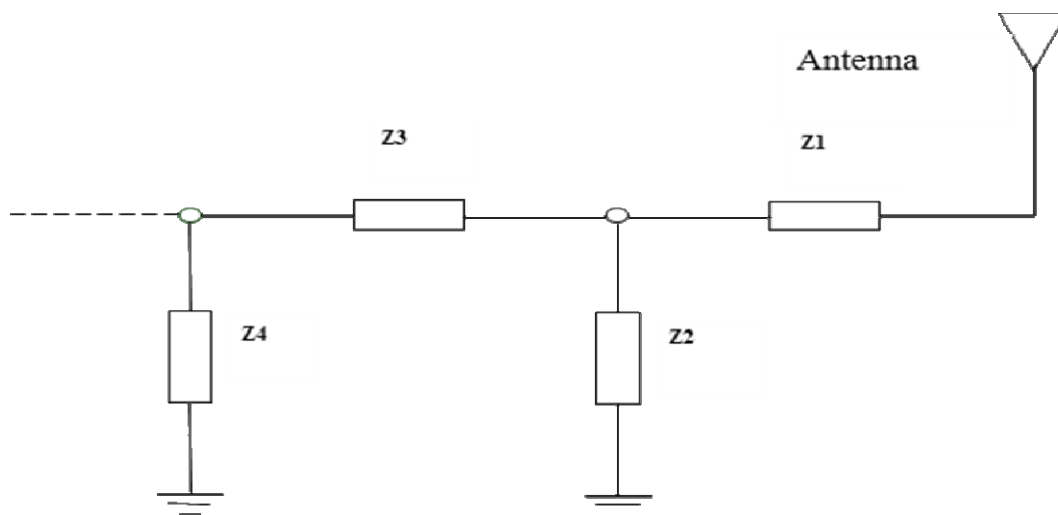
Matching Network Values

Z1: short

Z2: open

Z3: short

Z4: open



ShenZhen MyAntenna RF Technology Co.,Ltd

R&D: RM 1501, Overseas Chinese Scholars Venture Building,
Shenzhen High-Tech Park, Nanshan, Shenzhen, P. R. China

Tel: 0755-86503881

Fax: 0755-27801677

Mail: nfc@imyantenna.com

Zip code: 518057

4.2 Antenna Performance Testing

VSWR Parameters



Frequency MHz	VSWR
915	1.22

ShenZhen MyAntenna RF Technology Co.,Ltd

R&D: RM 1501, Overseas Chinese Scholars Venture Building, Shenzhen High-Tech Park, Nanshan, Shenzhen, P.R.China

Tel: 0755-86503881

Fax: 0755-27801677

Mail: nfc@imyantenna.com

Zip code: 518057

5. Inspection Report

Project	FLX500	Antenna Type	915MHz Antenna	Inspection Date	2015-06-18				
Appearance Standard			1. No abnormalities on the antenna surface.						
Dimension Standard			2. Within the required tolerances based on the drawing.						
No.	Inspection type	Standard	Inspection Method	Inspection Quantity	Result	Remark			
1	Appearance	As Above	Visually	6PCS	OK				
2	Dimension	As Below Chart	Vernier Caliper	6PCS	OK				
No.	Inspection type	Dimension	Tool	Test Results (Recorded six groups of testing data includes the highest & lowest values)					
				1	2	3	4	5	6
1	Dimension	54.26 ± 0.5	Caliper	54.26	54.26	54.26	54.26	54.26	54.26
2		$\phi 5.0 \pm 0.2$		5.1	5.95	5.1	5.95	5.1	5.1
3									
4									
5									
Remarks									
Supervisor : Sam		Audit : Ivan		Inspector : Bill					

6. ROHS Report

Project	Part No.	Tested Material	Testing Institution	Date of Testing	Test Report No.	Test Results	Remarks
FLX500	M15.0024-R0A	Spring Wire	SGS	2015-01-09	CANEC1500118102	OK	
Recorder : EC		Audit : Ivan		Date : 2015-06-18		Stamp :	

ShenZhen MyAntenna RF Technology Co.,Ltd

R&D: RM 1501, Overseas Chinese Scholars Venture Building,
Shenzhen High-Tech Park, Nanshan, Shenzhen, P.R.China

Tel: 0755-86503881

Fax: 0755-27801677

Mail: nfc@imyantenna.com

Zip code: 518057