

INTENSIA DR 154

The document titled 'cover letter FCC for question 8' indicates that model DR 154 and DR 9550 are similar devices, with the major difference being the radiated header.

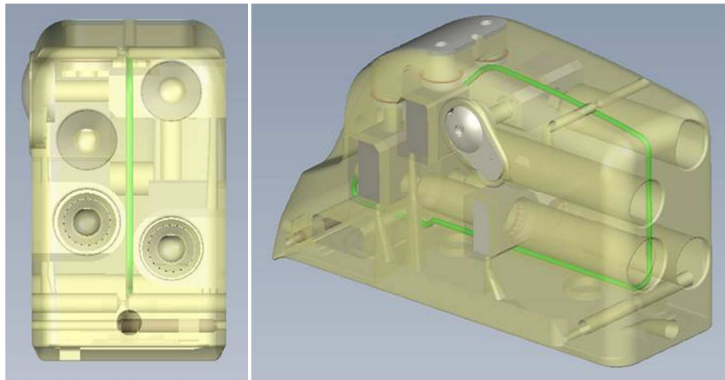
The 2 devices share the same electronics, battery, shock capacitors, main and RF feedthroughs and titanium cases. The only differences are the wire routing inside the headers, as the connector blocks do not have the same location in the Tecothane moulded headers, and the radiated headers and the silicone caps glued on the headers. The aim of the new header is to propose DF-4 connection to the physicians and the patients, which allow lowering the connection time of the leads during implantation (2 ports vs 4).

Paradyum RF DR 9550 has 4 ports: Atrium: IS-1, Ventricle: IS-1, DF-1.

INTENSIA DR 154 has 2 ports: Atrium: IS-1, Right ventricle: DF-4.

Paradyum RF DR 9550 (header with IS-1 & DF-1 lead cavities):

The DF-1 RF antenna plane is flat and located in the middle of the radiated header (highlighted in green in below 3D pictures), as the 4 lead cavities have roughly the same diameters 3,7 mm and located both sides of the 11,5 mm width header.



Intensia DR 154 (header with IS-1 & DF-4 lead cavities):

The DF-4 cavity diameter being bigger (6,35 mm), we had to route RF antenna wire around the DF-4 cavity. Please refer to the 2 pictures below (RF antenna highlighted in green in below 3D pictures).

