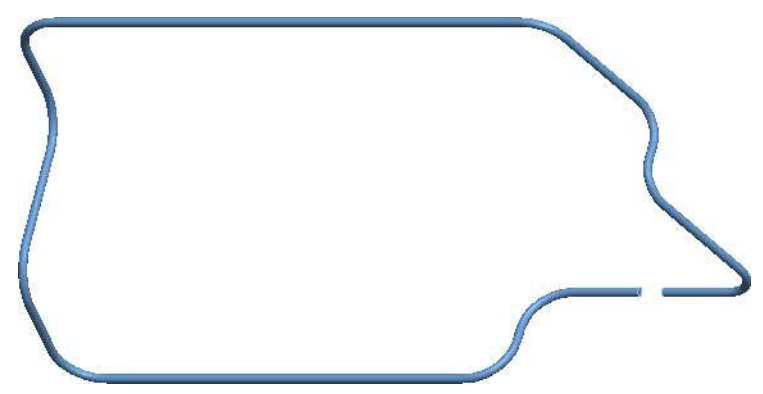
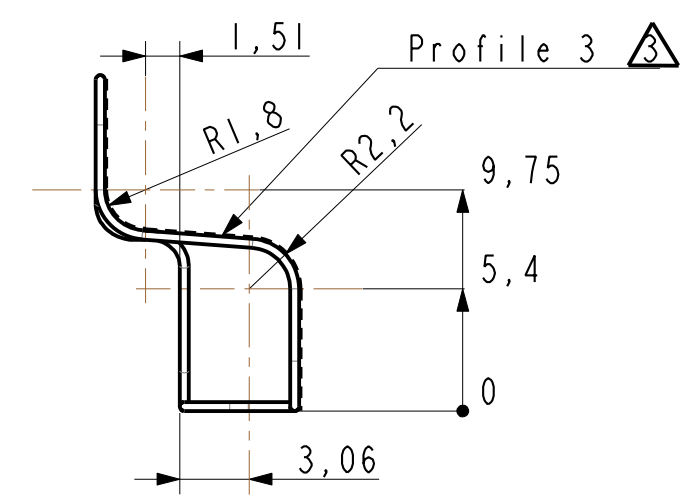
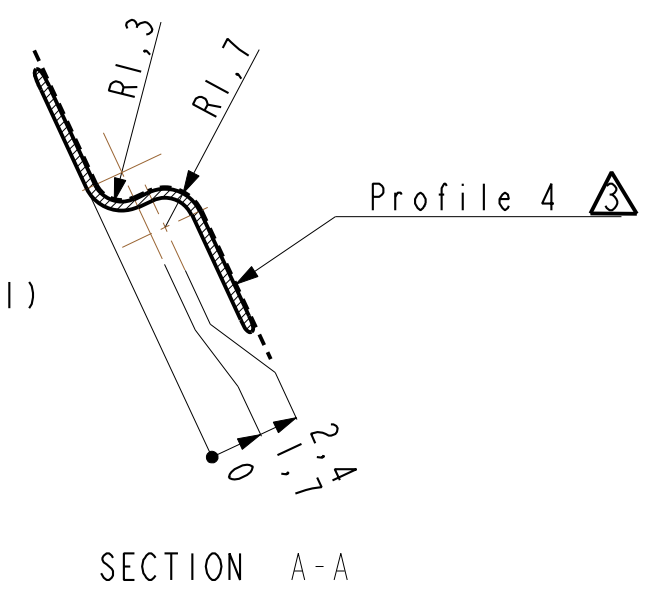
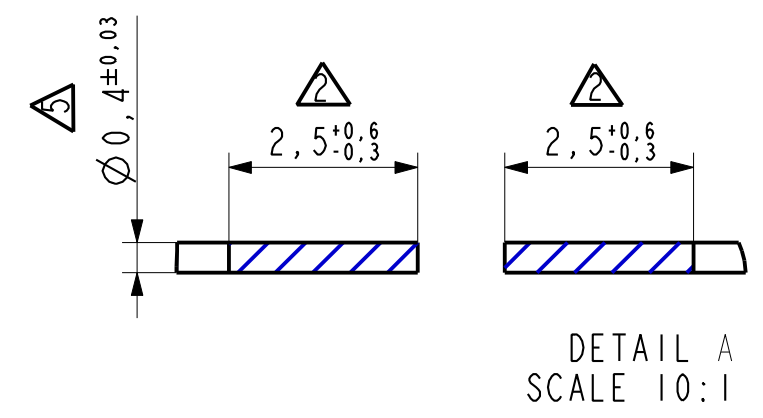
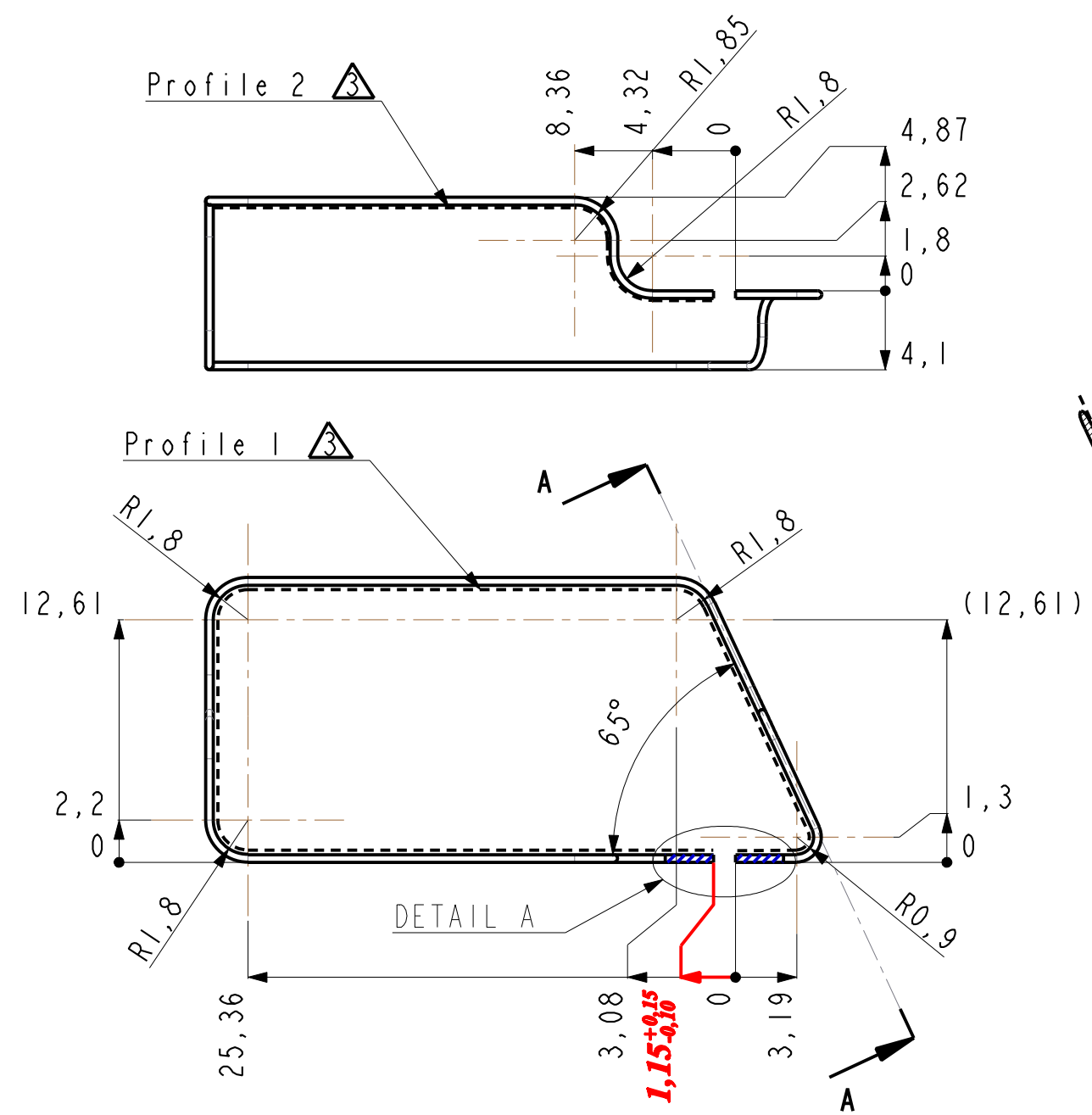


"ELECTRONIC DISTRIBUTION, CERTIFIED CONFORMING TO THE SIGNED AND APPROVED ORIGINAL"



DRAWING NOTES

- 1 The antenna shall be gold plated everywhere unless otherwise specified. Gold plate according to ASTM B488-11, Type I, Code C, Class 5.0. Plating thickness: min 5µm , max 11µm.
- 2 The hatched area (2,5 mm) shall be free of gold plating and any deposit used for surface preparation such as nickel strikes.
- 3 Dimensional control of the antenna (profile 1, 2 , 3 and 4) will be realized after final molding in the header. When visually inspected in molded header, antenna needs to remain located by antenna supports.
- 4 Scratches in the plating are allowed except where the continuity of the plating around the section circumference is not maintained.
- 5 Supplier shall provide as annex of the header CoC the used bare wire CoC with the indication of the wire dimensions and tolerances for each shipped lot.

This document is SORIN's property. It can not be copied or forwarded without prior agreement of SORIN group.					
A 02/04/15 AM020564	B ..16/06/2016 AM021651	D	E	F	G
MATERIAL : SMCS711; ASTM B488-11			REMARKS : For dimension modified, the text must be : Bold, Italic and in Red Color. ex: 2.66±0.05		
OVERALL TOLERANCES : ±0,1 mm			ANGLES : ±2°		
CARDIAC RHYTHM MANAGEMENT			RF Antenna DF4/IS4		
			Mechanical Studies and Development (MSD)		
PREPARED BY: A.Lombardi DATE 17-May-16	CHECKED BY: L.Di Maio DATE	APPROVED BY: R.Cicerone DATE	Scale 3:1 	A3	GA25
				B	1/1

FF00892A