

INTENSIA CRT-D 174

The document titled 'cover letter FCC for question 8' indicates that model CRT-D 174 and CRT-D 9750 are similar devices, with the major difference being the radiated header.

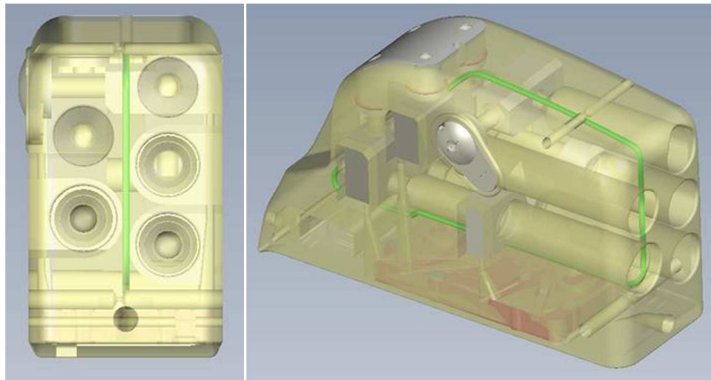
The 2 devices share the same electronics, battery, shock capacitors, main and RF feedthroughs and titanium cases. The only differences are the wire routing inside the headers, as the connector blocks do not have the same location in the Tecothane moulded headers, and the radiated headers and the silicone caps glued on the headers. The aim of the new header is to propose DF-4 connection to the physicians and the patients, which allow lowering the connection time of the leads during implantation (3 ports vs 5).

Paradym RF CRT-D 9750 has 5 ports: Atrium: IS-1, Right ventricle: IS-1, DF-1, Left ventricle: IS-1.

INTENSIA CRT-D 174 has 3 ports: Atrium: IS-1, Right ventricle: DF-4, Left ventricle: IS-1.

The DF-1 RF antenna plane is flat and located in the middle of the radiated header (highlighted in green in below 3D pictures), as the 5 lead cavities have roughly the same diameters 3,7 mm and located both sides of the 11,5 mm width header.

Paradym RF CRT-D 9750 (header with IS-1 & DF-1 lead cavities):



The DF-4 cavity diameter being bigger (6,35 mm), we had to route RF antenna wire around the DF-4 cavity. Please refer to the 2 pictures below (RF antenna highlighted in green in below 3D pictures).

Intensia CRT-D 174 (header with IS-1 & DF-4 lead cavities):

