

Infinea Tab M Lite
User Manual



THE INFORMATION IN THIS DOCUMENT CANNOT BE REPRODUCED IN ANY MECHANICAL, ELECTRICAL OR ELECTRONIC WAY AND UNDER ANY CIRCUMSTANCES WITHOUT THE WRITTEN CONSENT FROM DATECS LTD.

Address: 4 Datecs Street, Sofia 1592, Bulgaria
Phone: +359 2 816 55 50
Fax: +359 2 816 55 65
E-mail: export@datecs.bg

REVISION HISTORY

Version	Data	Change description
1.0.0	19.07.2018	First Release
2.0.0	28.06.2019	Added Section "REGULATORY"

REGULATORY

FCC ID: YRWITML

This device complies with part 15 of the FCC Rules. Operation is subject to the following two conditions: (1) This device may not cause harmful interference, and (2) this device must accept any interference received, including interference that may cause undesired operation.

No changes shall be made to the equipment without the manufacturer's permission as this may void the user's authority to operate the equipment.

This device has been designed and complies with the safety requirements for portable RF exposure in accordance with FCC rule part 2.1093 and KDB 447498 D01.

LEGAL NOTICE

“Made for iPhone” mean that an electronic accessory has been designed to connect specifically to the iPhone and has been certified by the developer to meet Apple performance standards. Apple is not responsible for the operation of this device or its compliance with safety and regulatory standards. Please note that the use of this accessory with an iPhone may affect wireless performance

CONTENTS

- TECHNICAL SPECIFICATIONS 7**
- GENERAL VIEW 9**
- GETTING STARTED..... 10**
- PERIODIC INSPECTION AND MAINTENANCE 11**
- ATTACHING APPLE DEVICE TO INFINEA TAB M LITE 12**
- OPERATION MODES 13**
 - APPLICATION DOWNLOAD MODE AND SYSTEM MODE..... 13
 - STATUS LEDS..... 13
 - MAGNETIC CARDS READING 15
 - CONTACTLESS CARDS READING..... 16
 - POWER MANAGEMENT 17
- CARE, MAINTENANCE AND WARRANTY..... 18**
- SERVICE AND SUPPORT..... 18**

TECHNICAL SPECIFICATIONS

Processor	ARM Cortex® M3 Security Microcontroller	
Memory	64KB Internal ROM 256KB Internal RAM 1MB Internal Flash	
Application Memory	4MB Serial Flash	
Keypad	<ul style="list-style-type: none"> • 1 button for device turning ON/OFF 	
Magnetic Card Reader	<ul style="list-style-type: none"> • 3-track bi-directional reading • ISO 7810, 7811 and 7813 	
Contactless Card Reader (option)	ISO/IEC 14443 Type-A/MIFARE: <ul style="list-style-type: none"> - MIFARE MINI - MIFARE CLASSIC-1K, MIFARE CLASSIC-4K - MIFARE ULTRALIGHT, ULTRALIGHT-C - MIFARE PLUS 2K/4K - MIFARE DESFire - and others 	ISO/IEC 14443 Type-B <ul style="list-style-type: none"> - supports most of the cards ISO/IEC 15693 <ul style="list-style-type: none"> - supports most of the cards JIS X 6319-4 <ul style="list-style-type: none"> - compatible with FeliCa
Contactless Card Reader for payment applications (option)	<ul style="list-style-type: none"> • AMEX ExpressPay MagStripe and EMV • Discover ZIP and D-PAS • MasterCard PayPass MagStripe and M/Chip • VISA PayWave MSD and qVSDC 	
Battery	Rechargeable Li-Po Battery 3.7V / 500 mAh	
Connectivity	<ul style="list-style-type: none"> • Serial communication (with Apple device) • Pass-through sync through Lightning connector • USB (via Lightning Receptacle) 	
Audio indication	Electro-Magnetic Buzzer	
Apple devices compatibility	iPhone 8 Plus	
Reliability	<ul style="list-style-type: none"> • 1 000 000 magnetic card swipes 	
Certifications	PCI PTS 5.x	
Dimensions (LxWxH),	102.5 x 75 x 25	
Weight, g	95	
Environmental	Operating: -10°C to +40°C / 5 to 90% RH Storage: -15°C to +50°C/ 5 to 90% RH	
Drop Test	1.5 m, 6 faces + 4 edges on concrete	
Power Supply	<ul style="list-style-type: none"> • 5V through Lightning connector • 5V through single or 5 station charger 	
Accessories	<ul style="list-style-type: none"> • Single station charger - SC-1 • 5 stations charger - GC-5 • Holster 	

** Specification can be change without any notice.*



Use only original Apple cable Lightning to USB Cable

Use only UL approved USB adapters. The minimum requirements of USB adapter is 5V/1.5A.



Waste Electrical & Electronic Equipment

The symbol means that according to local laws and regulations your product shall be disposed of separately from household waste at the end of its working life. To prevent possible harm to the environment or human health from uncontrolled waste disposal, please separate this from other types of wastes and recycle it responsibly to promote the sustainable reuse of material resources.

GENERAL VIEW

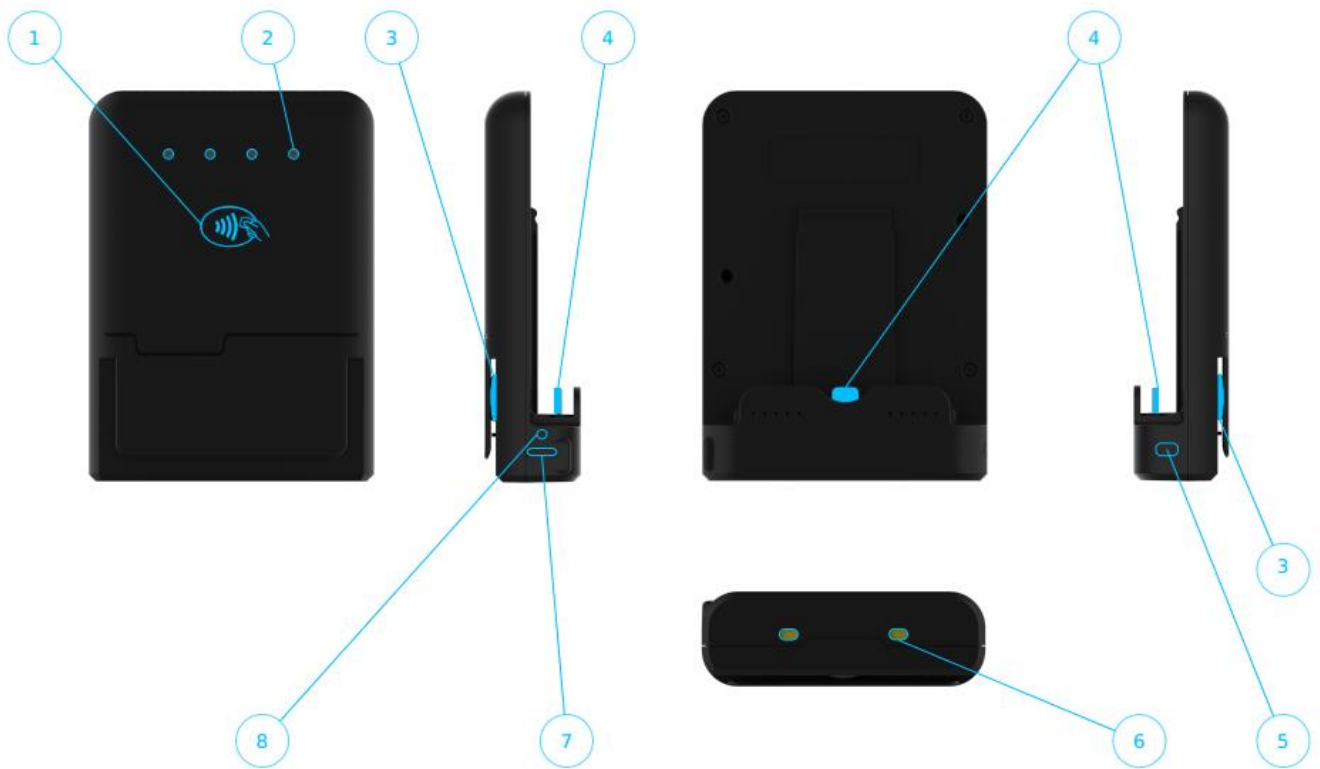


Fig. 1

- 1. Contactless reader**
- 2. Indication for Contactless transaction / LEDs indication for device status**
- 3. Magnetic Card Reader**
- 4. Lightning connector**
- 5. On/Off button**
- 6. Charging pads**
- 7. USB communication port (Lightning Receptacle port)**
- 8. Indication for battery charging**

GETTING STARTED

Infinea Tab M Lite has rechargeable Li-Po battery. Battery can be recharged from Lightning Receptacle port or charging pads.



Before first use, battery must be fully charged.
If the device is fully discharged, charging time to fully charged would be less than 1 hour and 30min.

Charging form USB adapter:

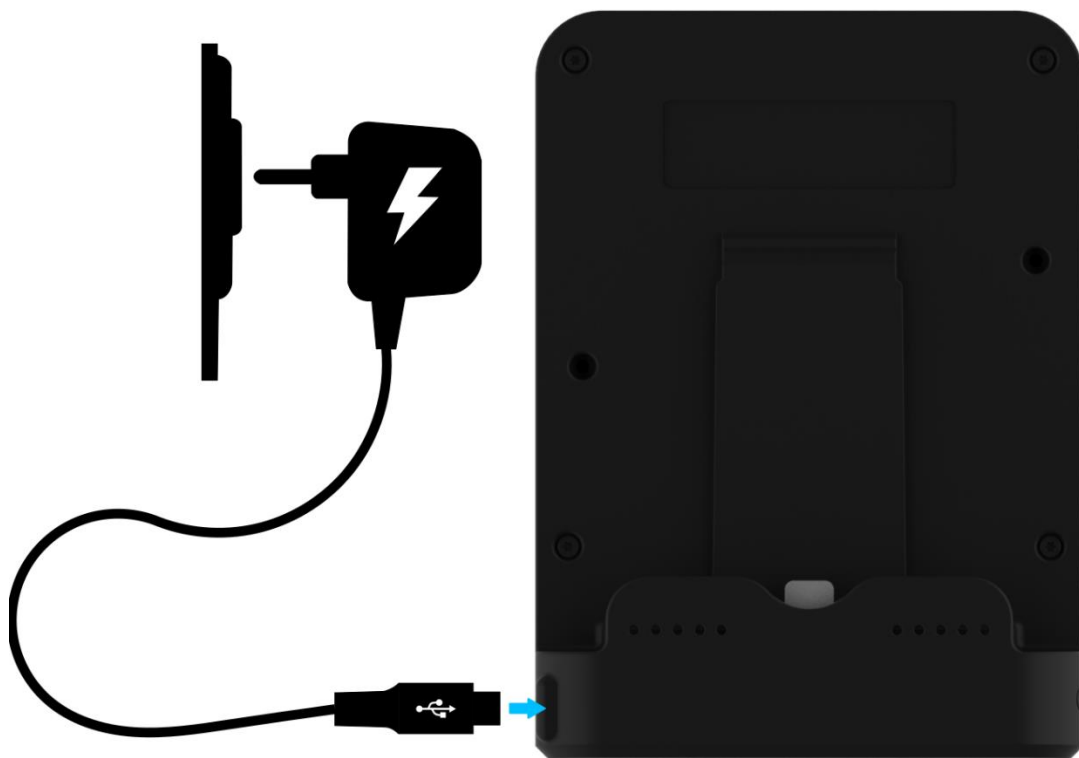


Fig. 2



Main battery replacement:
To replace the main battery of Infinea Tab M Lite, please contact with your local Datecs Ltd. representative or service provider.

PERIODIC INSPECTION AND MAINTENANCE

The following inspections must be performed on a regular basis after initial receipt and installation of Infinea Tab M Lite:

- There are no visual indications for trying unauthorized opening of the device
- There are no unusual wires connected to any of the ports on the terminal.
- The terminal serial number (on the label) corresponds to the one in the inventory paperwork.

ATTACHING APPLE DEVICE TO INFINEA TAB M LITE

First Apple device must be inserted to the case. Then Infinea Tab M Lite and Apple device must be turned to top side, then Apple device must be slid to Infinea Tab M Lite lightning connector.



OPERATION MODES




For start operating with Infinea Tab M Lite is need to be attached Apple device with installed application for iOS. For downloading the latest SDKs for iOS, please contact with your distributor.

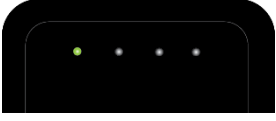
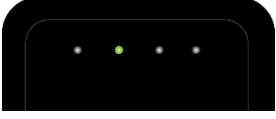
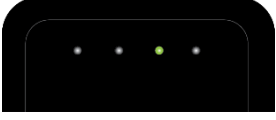

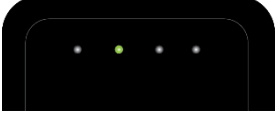
Application download mode and System mode

Boot loader mode - to enter application/firmware download mode on the Infinea Tab M Lite, the power button has to be maintained pressed. A characteristic sound is played and first LED will start to light. Power button must be hold until second white LED is light on, then releasing the power button. When device is in Boot Loader/Application download mode will be played characteristic sound.

System mode - to enter in "SYSTEM MODE" on the Infinea Tab M Lite, the power button has to be maintained pressed. A characteristic sound is played and first LED will start to light. Power button must be hold until third LED is light on, then releasing the power button.

Status LEDs

LED indication	
	LED is turned off
	Green LED continuously light on
	Green LED flashing

LED indication	Description	
Operating modes when is press power button		
	First LED is continuously light on	Device will go to normal operating mode
	Second LED is continuously light on	Device will enter in Boot loader
	Third LED is continuously light on	Device will enter in System mode
System errors		
	First LED continuously light on and fourth LED flashing continuously	Device is TAMPERED
	Second LED continuously light on	Device error (General Exception)

Magnetic cards reading

The Infinea Tab M Lite has a built-in magnetic card reader. The card reader incorporates a (3) track magnetic read head, requiring a single swipe to read field data from all three tracks.

The magnetic reading head faces down, towards the top of the bottom cover of the cradle. When swiping the card into the reader, the magnetic stripe must be facing as shown in the figure below. Keep the edge of the card flat on the inner base of the reader to ensure that the magnetic stripe passes over the reading head evenly.



Fig. 8

Contactless cards reading

The contactless card transaction procedure can vary depending on the application loaded on the Infinea Tab M Lite. Verify the proper procedure with your application provider before performing a contactless card transaction.

In order to use the Contactless card reading function, special software must be used. Please contact your distributor in order to get the latest demo application and SDK.

To Conduct a Contactless Credit/Debit Card Transaction

1. Place a contactless card to shown on the Infinea Tab M Lite contactless logo.
2. Remove the card when the display indicates the transaction is completed.



Fig. 9

Power management

The Infinea Tab M Lite can charge the attached Apple device. This can be done when is attached to charging station or USB cable is plugged to Lightning Receptacle port. Charging current is depends from the connected power source:

- can provide 500mA when power source is Lightning Receptacle port
- can provide 1000mA when power source is charging pads

CARE, MAINTENANCE AND WARRANTY



- Keep the Infinea Tab M Lite side of the reach of small children.
- Keep the Infinea Tab M Lite dry. Precipitation, humidity and liquid contain minerals that will corrode electronic circuits.
- Do not use or store in dusty or dirty areas.
- Do not drop or knock Infinea Tab M Lite.



- Do not open the Infinea Tab M Lite. Only qualified personnel can open the device and make repair. If the Infinea Tab M Lite is not working, please contact with your dealer.
- Forbidden is allowing unqualified personnel to service your Infinea Tab M Lite!

SERVICE AND SUPPORT

Service and Support:

For **Infinea Tab M Lite** problems, product service, and repair information, contact your local Datecs representative or service provider.

- International – Contact your local Datecs Ltd. Distributor.

Service Returns:

All customers, please contact your local Datecs Ltd. representative or distributor for assistance with your service, return, or replacement.