

USER'S MANUAL

WiConnect
System



Velodyne®

Enjoy.

We here at Velodyne want to thank you for selecting our product.

Get ready to experience the highest quality and amazing low-distortion bass that Velodyne is world famous for. Relax as you enhance your home entertainment experience with our easy setup instructions.

*Welcome . . . **enjoy** your new Velodyne!*

1 Safety Notice

SET UP

3 Box Contents

5 Connect Wireless Transmitter to Audio Receiver

7 Select Audio Receiver Options Optimal Subwoofer Performance

8 Connect Subwoofer

8 Select Wireless Broadcast Channel

8 — Wireless Broadcast Considerations

9 Connect Multiple Wireless Subwoofers

9 — In a Single Audio System

9 — In Separate Audio Systems

10 Mount Wireless Transmitter on Wall (Optional)

MAINTAIN

11 Protect Transmitter and Receiver from Damage

11 Clean

11 Service

12 Troubleshoot

12 Packaging

RESOURCES

13 Specifications

14 Regulatory Information

14 — FCC Compliance Statement

14 — FCC Warning

14 — European Union (EU) Declaration of Conformity

14 Radio Frequency Exposure Limit Requirements

14 Listen Responsibly

14 Legal Notice

14 — Electronics Recycling

14 — Trademarks

15 Warranty

IMPORTANT SAFETY INSTRUCTIONS



SAFETY NOTICE

CAUTION: To reduce the risk of electric shock, do not remove cover (or back). No user-serviceable parts inside. Refer servicing to qualified service personnel.

THE LIGHTNING FLASH WITH ARROWHEAD SYMBOL is intended to alert the user to the presence of uninsulated “dangerous voltage” within the product’s enclosure that may be of sufficient magnitude to constitute a risk of electric shock to persons.

THE EXCLAMATION POINT SYMBOL is intended to alert the user to the presence of important operating and maintenance (servicing) instructions in the literature accompanying the subwoofer.

1. READ INSTRUCTIONS — All safety and operating instructions should be read before the product is operated.
 2. RETAIN INSTRUCTIONS — The safety and operating instructions should be retained for future reference.
 3. HEED WARNINGS — All warnings on the product and in the operating instructions should be adhered to.
 4. FOLLOW INSTRUCTIONS — All operating and use instructions should be followed.
 5. WATER AND MOISTURE — The product should not be used near water — for example, near a bathtub, washbowl, kitchen sink, laundry tub, in a wet basement, near a swimming pool or the like.
 6. CARTS AND STANDS — The product should be used only with a cart or stand recommended by the manufacturer.
 7. WALL OR CEILING MOUNTING — The product should be mounted to a wall or ceiling only as recommended by the manufacturer.
 8. VENTILATION — The product should be situated so that its location or position does not interfere with its proper ventilation. For example, the product should not be situated on a bed, sofa, rug, or similar surface that may block the ventilation openings; or placed in a built-in installation such as a bookcase or cabinet that may impede the flow of air through the ventilation openings.
 9. HEAT — The product should be situated away from heat sources such as radiators, heat registers, stoves, or other products that produce heat.
 10. POWER SOURCES — The product should be connected to a power supply only of the type described in the operating instructions or as marked on the product.
 11. GROUNDING OR POLARIZATION — This product may be equipped with a polarized alternating-current line plug (a plug having one blade wider than the other). This plug will fit into the power outlet only one way. This is a safety feature. If you are unable to insert the plug fully into the outlet, try reversing the plug. If the plug should still fail to fit, contact your electrician to replace your obsolete outlet. Do not defeat the safety purpose of the polarized plug.
-

12. POWER-CORD PROTECTION — Power-supply cords should be routed so that they are not likely to be walked on or pinched by items placed upon or against them, paying particular attention to cords at plugs, convenience receptacles, and the point at which they exit from the product.
13. CLEANING — The product should be cleaned only as recommended by the manufacturer.
14. NONUSE PERIODS — The power cord of the product should be unplugged from the outlet when left unused for a long period of time.
15. OBJECT AND LIQUID ENTRY — Care should be taken so that objects do not fall and liquids are not spilled onto the enclosure.
16. DAMAGE REQUIRING SERVICE — The product should be serviced by qualified service personnel when:
 - a. The power-supply cord or plug has been damaged.
 - b. Objects have fallen or liquid has been spilled into the product.
 - c. The product has been exposed to rain.
 - d. The product does not appear to operate normally or exhibits a marked change in performance.
 - e. The product has been dropped or damaged.
17. SERVICING — The user should not attempt to service the product beyond what is described in the operating instructions. All other servicing should be referred to qualified service personnel.
18. LIGHTNING — For added protection for the product during a lightning storm or when it is left unattended and unused for long periods of time, unplug it from the wall outlet.
19. OVERLOADING — Do not overload wall outlets, extension cords or integral convenience receptacles as this can result in a risk of fire or electric shock.
20. ATTACHMENTS — Only use attachments and accessories specified by the manufacturer.
21. VOLTAGE — Insure that the product is only connected to the rated source voltage. Do not connect the 120-volt version to 230-volts or vice-versa. This will result in damage to the product and possible injury to the user.



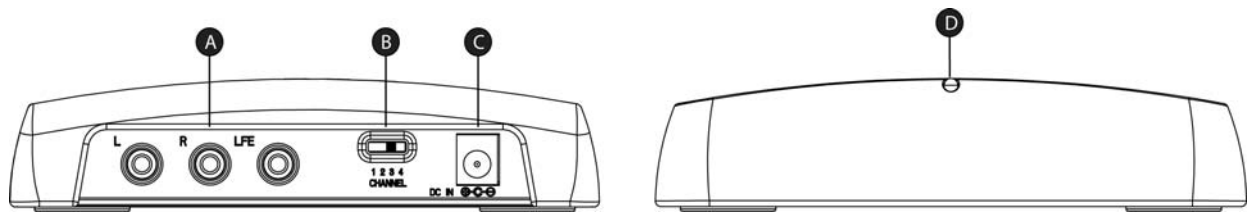
CAUTION: To prevent electrical shock, match wide blade of plug to wide slot, fully inserted.

Box Contents

Now that you've unpacked the WiConnect System, make sure you have the components and Velodyne supplied accessories shown below. If any components or Velodyne supplied accessories are missing or damaged, contact the retailer where you purchased this product.

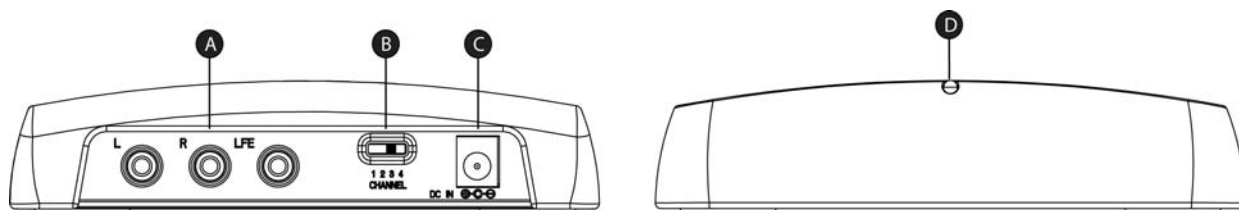


<p>Components</p> <ul style="list-style-type: none"> A. Wireless transmitter B. Wireless receiver 	<p>Velodyne Supplied Accessories</p> <ul style="list-style-type: none"> • (2) 5V DC power adapters for wireless transmitter. • Self-tapping wood screws (2) for wireless transmitter mounting. 	<ul style="list-style-type: none"> • (2) 1 meter RCA cables. One for connecting wireless transmitter to receiver, and the second for connecting wireless receiver to subwoofer.
--	---	--



Wireless Transmitter

<p>A. INPUTS</p> <ul style="list-style-type: none"> • L and R: Inputs for connecting to your receiver's RCA output. • LFE: Output for connecting to your receiver's LFE output. 	<p>B. CHANNEL SELECTOR: Switch for choosing the broadcast frequency by CHANNEL. This CHANNEL selector switch of the WiConnect System receiver should be set to the same CHANNEL as the transmitter.</p>	<p>C. 5V DC Power adapter socket</p> <p>D. BLUE LED: Indicates transmitter is active.</p>
--	--	---



Wireless Receiver

A. OUTPUTS

- L and R: Outputs for connecting to your subwoofer's RCA input.
- LFE: Output for connecting to your subwoofer's LFE input.

B. CHANNEL SELECTOR: Switch for choosing the broadcast frequency by CHANNEL. This CHANNEL selector switch of the WiConnect System receiver should be set to the same CHANNEL as the transmitter.

C. 5V DC Power adapter socket

D. GREEN LED: Indicates receiver is active.

Connect Wireless Transmitter to Audio Receiver

Use one of the following two setups to connect the wireless transmitter to receiver:

SETUP #1:

MOST COMMON
(RECEIVER LFE/SUB OUTPUT)



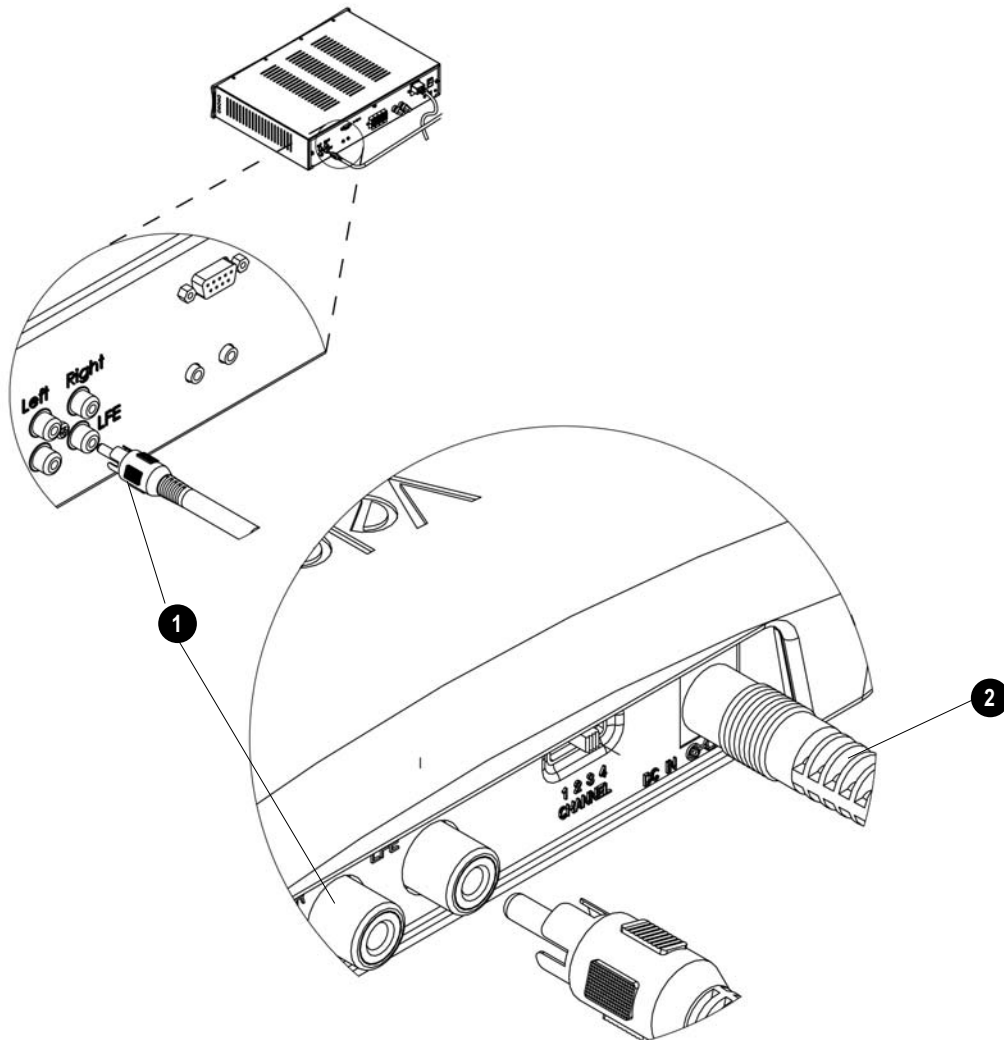
This setup requires one RCA cable.

SETUP #2:

LESS COMMON
(NO RECEIVER LFE/SUB OUTPUT)



This setup requires one RCA cable for each of the L and R channels.



SETUP #1: MOST COMMON (RECEIVER HAS LFE/SUB OUTPUT)

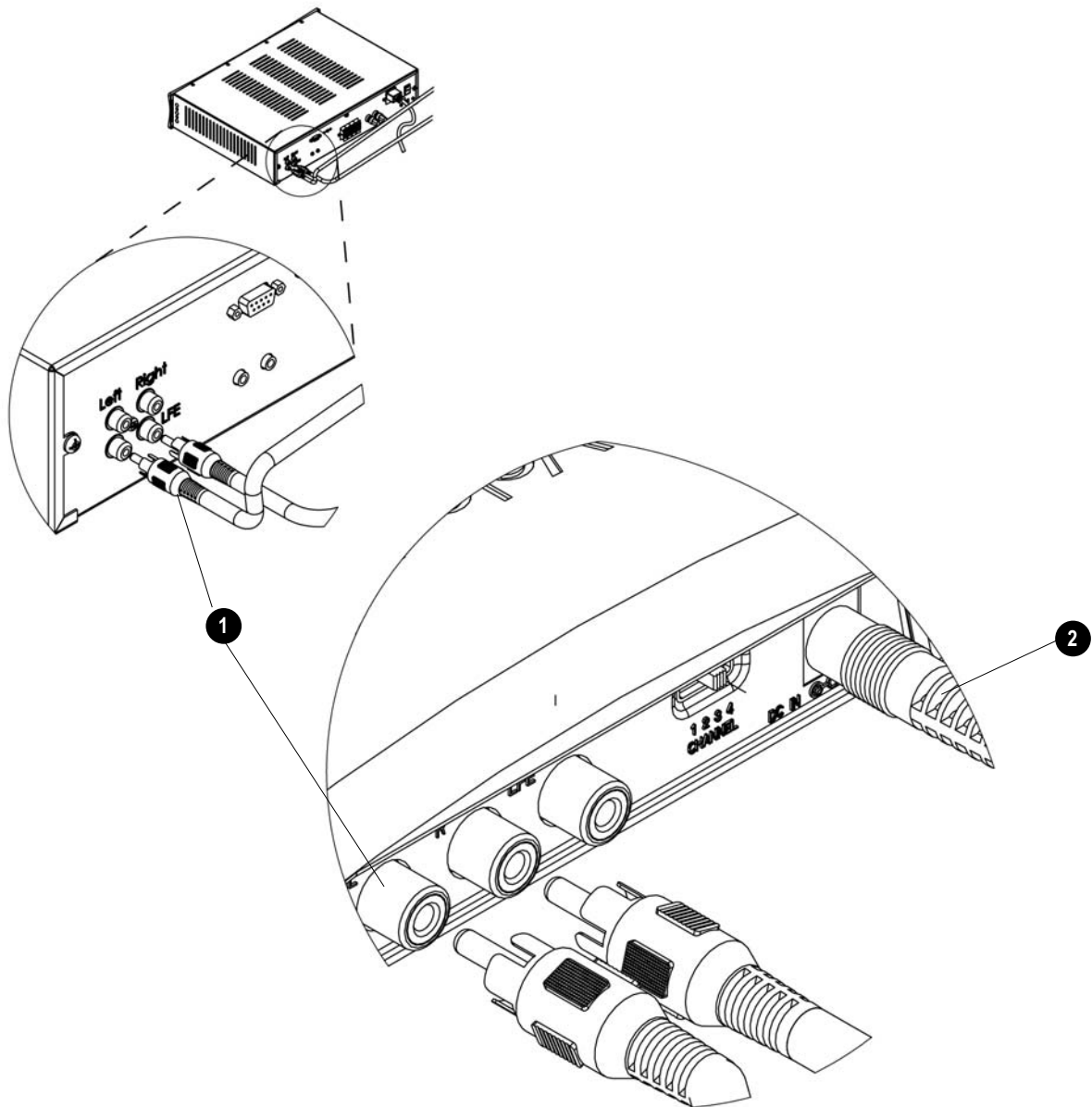
1. Use one of the RCA cables supplied to connect the wireless transmitter's LFE input to your receiver's LFE or SUB output. Connect with one lead only.

2. Plug the wireless transmitter's 5V DC power adapter into the back of the wireless transmitter. Plug the other end of the adapter into a power outlet.

3. Go to the **Select Receiver Options for Optimal Subwoofer Performance instructions next.**



The WiConnect System receiver must be within 50 feet (15 meters) from its transmitter to be able to receive the wireless signal. Also, make sure that the same CHANNEL is selected on both the transmitter and receiver.



SETUP #2: LESS COMMON (RECEIVER HAS NO LFE/SUB OUTPUT)

1. Use one of the RCA cables supplied to connect the wireless transmitter's R and L inputs to your receiver's R and L outputs.

2. Plug the wireless transmitter's 5V DC power adapter into the back of the

wireless transmitter. Plug the other end of the adapter into a power outlet.

3. Go to the **Select Receiver Options for Optimal Subwoofer Performance instructions next.**



The WiConnect receiver must be within 50 feet (15 meters) from its transmitter to be able to receive the wireless signal. Also, make sure that the same CHANNEL is selected on both the transmitter and receiver.

Select Audio Receiver Options For Optimal Subwoofer Performance

It is important that the audio receiver is set up correctly to work in concert with the WiConnect System. To set up the audio receiver refer to its instruction manual and use one of the following three options:

	AUDIO RECEIVER OPTIONS		
	OPTION #1 (MOST COMMON)	OPTION# 2 (LESS COMMON)	OPTION #3 (LESS COMMON)
Wireless Transmitter SETUP	SETUP #1: (MOST COMMON)	SETUP #1: (MOST COMMON)	SETUP #2: (LESS COMMON)
Audio Receiver has LFE or SUB output	Yes	Yes	No
Use receiver's LFE or SUB output as subwoofer's input	Yes	No	No
Use audio receiver's unfiltered/full frequency range R and L outputs as subwoofer's inputs	No This setup uses the audio receiver's lowpass crossover filter instead of your subwoofer's filter.	Yes This setup uses your subwoofer's lowpass crossover filter instead of the audio receiver's filter.	Yes This setup uses your subwoofer's lowpass crossover filter instead of the audio receiver's filter.

AUDIO RECEIVER OPTION #1

The audio receiver's LFE or SUB output is the input to the subwoofer (most common case). Use the audio receiver's speaker menu and set as follows:

1. Select that you have a subwoofer.
2. Select the number of speakers.
3. Select the speaker size as SMALL.
4. If you don't know the low frequency limit of your main speakers, use 80 Hz as the crossover point. The lower limit of the main speaker's frequency response is usually listed in the speaker specifications as, for example, "3 dB down at 45 Hz."
In this example, double the value (45 Hz) and use the doubled-value (90 Hz) as the crossover frequency.
5. Adjust the LFE /SUB output level to 0 dB.
6. Go to the **Connect Subwoofer** instructions next.

AUDIO RECEIVER OPTION #2

The audio receiver's unfiltered/full frequency range R and L output channels, not its LFE or SUB output, is the input to the WiConnect System (less common case). Use the audio receiver's speaker menu and set as follows:

1. Select that you have NO subwoofer.
2. Select the number of speakers.
3. Select the speaker size as LARGE.
4. If the crossover frequency option is available, double your main speakers specified low frequency response value and select the result as the crossover frequency. If you don't know the low frequency response value, use 80 Hz.
5. Go to the **Connect Subwoofer** instructions next.

AUDIO RECEIVER OPTION #3

The audio receiver has no LFE or SUB output:

1. No selections to make in the receiver's speaker menu.
2. Go to the **Connect Subwoofer** instructions next.

Connect Subwoofer

1. Place WiConnect System RF receiver near your subwoofer. Do not place in a metal cabinet — this may degrade reception performance.
2. Attach included 5V DC power adapter to WiConnect System receiver.
3. Attach the appropriate RCA cables, depending on the audio receiver option chosen between the WiConnect System receiver and your subwoofer.
4. Plug RF receiver or WiConnect System power adapter into wall outlet.
5. Turn the VOLUME knob to MIN to prevent blasting music when you first use the subwoofer. You can increase the VOLUME to the correct level later.
6. Turn on subwoofer.
7. You're done. No more wires to connect!
7. Go to the **Select Wireless Broadcast Channel** instructions next.

Select Wireless Broadcast Channel

The wireless transmitter can broadcast your audio signals on one of four selectable channels. Multiple channels are made available in case other devices in your home are using some of the channels for communication, or if you plan to use more than one WiConnect System (only up to four total WiConnect Systems can be used within 50 feet of each other).

To select the broadcast channel:

1. Review the **Wireless Broadcast Considerations** below.
2. Use the CHANNEL switch on the back of the wireless transmitter to select "1", "2", "3", or "4" as the broadcast channel.
3. Use the CHANNEL switch on the back of the wireless receiver to select the same broadcast channel as you selected on the wireless transmitter.

Wireless Broadcast Considerations

All wireless devices like the WiConnect System may be susceptible to radio frequency (RF) interference from other devices, depending on frequency used. Other RF devices include WiFi Internet access, computer equipment and routers; WiFi solar panel monitoring systems; video game consoles, cordless telephones, blue tooth devices, baby monitors and microwave ovens. In particular, any devices operating in the 2.4 GHz band may cause intermittent wireless connections between the wireless transmitter and wireless receiver.

To prevent wireless broadcast interference problems, keep wireless transmitters at least 2' apart. Any interference effects from a microwave oven will cease once the oven stops operating and may be resolved on a long-term basis by increasing the physical distance between the WiConnect System and the microwave oven.

If the WiConnect System sound is intermittent, check that another wireless device isn't within 2' of either the wireless transmitter or the wireless receiver. Also, try one of the other broadcast channels of the WiConnect System as it may be free of the RF interference.

Connect Multiple Wireless Subwoofers

In a Single Audio System

If you are using more than one WiConnect System in a single audio system, or in two audio systems close together, the following two setup options exist.

OPTION #1: All subwoofers receive the same audio signal. This is the most common setup. For this setup:

1. Connect only one wireless transmitter to your audio receiver. Follow the instructions for **OPTION #1** or **OPTION #2** in the **Connect Wireless Transmitter Section**.
2. Follow the instructions for **SETUP #1** in the **Select Audio Receiver Options for Optimal Subwoofer Performance** section.
3. Set the same wireless broadcast channel on the wireless transmitter and all RF receivers. Follow the instructions in the **Select Wireless Broadcast Channel** section.

OPTION #2: Subwoofers receive different audio signals. This is a less common setup. Usually, this setup uses one subwoofer for the R audio channel and one subwoofer for the L audio channel, or for two differently purposed audio systems on either side of a wall. If using separate R and L channel subwoofers, place each subwoofer within a couple of feet of the appropriate main speaker for the channel. If the system's crossover frequency is high, each subwoofer should be even closer to its channel's main speaker. For this setup:

1. Connect a wireless transmitter to each signal you want to transmit to a receiver. Usually, one for the R and one for the L channel. Follow instructions for **SETUP #2** in the **Connect Wireless Transmitter Section**, except pair one transmitter's R input to the R channel receiver output and the other transmitter's L channel input to the L channel receiver output.
2. Follow the instructions for **OPTION #3** in the **Select Audio Receiver Options for Optimal Subwoofer Performance** section.
3. Follow the instructions in the **Select Wireless Broadcast Channel** section, except:
 - a. Select a unique wireless broadcast channel for each wireless transmitter.
 - b. Match the wireless broadcast channel on each WiConnect receiver to that of the WiConnect transmitter that broadcasts the audio signal that WiConnect receiver is to output.
4. Follow the instructions in the **Adjust Subwoofer Controls** section for each subwoofer.

In Separate Audio Systems

If you have multiple audio systems in your home, such as one in the family movie room and another in a bedroom or office, you can use a separate wireless transmitter in each system. In this case, use a different wireless broadcast channel for each system, to avoid the subwoofers from getting input from multiple systems due to the close proximity of the systems.

Mount Wireless Transmitter or Receiver on Wall (Optional)

Optionally, you can mount the wireless transmitter or receiver on the wall or place in a location that better organizes your audio components. The WiConnect System doesn't have to be visually in view in the room to function properly

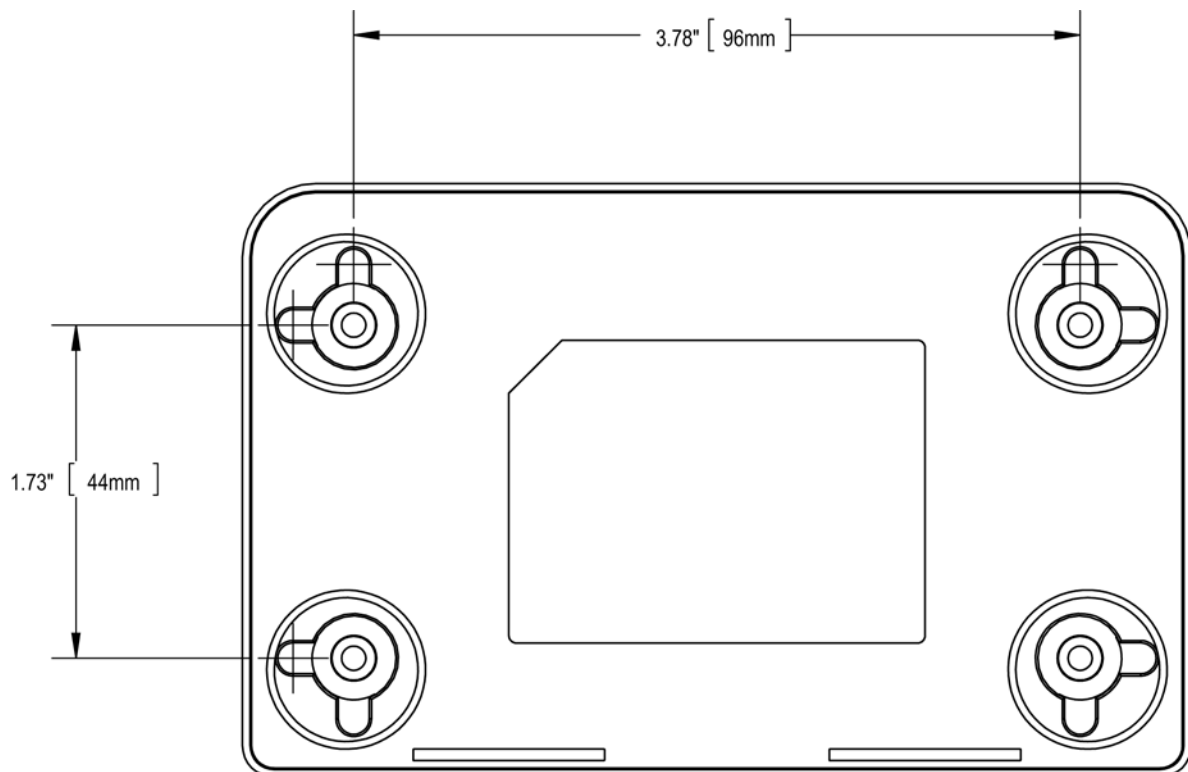
1. Use the template below to mark the mounting locations on the wall. Mark the two screw locations for either the horizontal or vertical mounting orientation.

2. Hand turn one of the included self-tapping wood screws into each marked location. Tighten the screws until about 1/8" (3.17mm) of the screw shank is exposed.

3. Hook two of the slotted holes on back of the wireless transmitter to the two screws. There is no right way up for the transmitter. It can be mounted in any orientation.



The provided wood screws aren't suitable for stone or other hard wall surfaces. If you can't hand drive the screws, you may need to drill holes and provide other wall anchors.



Wireless Transmitter Mounting Template

MAINTAIN



Protect Transmitter and Receiver from Damage

DO NOT PUT OBJECTS ON TOP of the transmitter or receiver case that could scratch or otherwise damage the case.

DO NOT ALLOW OBJECTS TO FALL ON OR LIQUIDS TO SPILL ON THE TRANSMITTER OR RECEIVER CASE.

DO NOT EXPOSE TRANSMITTER OR RECEIVER TO DRIPPING OR SPLASHING FROM LIQUIDS.

DO NOT PLACE LIQUID-FILLED OBJECTS ON OR NEAR THE TRANSMITTER OR RECEIVER. Examples of liquid-filled objects include flower vases, beverages and liquid-fueled lamps.

DO NOT PUSH OBJECTS OF ANY KIND into the transmitter or receiver openings.

DO NOT PLACE BURNING CANDLES, INCENSE, OR SMOKING PRODUCTS ON TOP OF OR NEAR THE TRANSMITTER OR RECEIVER.



Clean

USE A CLEAN, SOFT DAMP CLOTH to remove dust or fingerprints from the transmitter or receiver case. Unplug the power cord from the power outlet before cleaning to prevent static electricity from damaging the transmitter or receiver during cleaning.

DO NOT CLEAN THE WIRELESS TRANSMITTER OR RECEIVER CASE with detergents, soaps, abrasives, aerosol sprays, chemical solvents, alcohol, or other cleaning solutions.



Service

DO NOT ATTEMPT TO SERVICE THE WIRELESS TRANSMITTER OR RECEIVER YOURSELF beyond what is described in this owner's manual.

ONLY USE QUALIFIED SERVICE TECHNICIANS TO REPAIR DAMAGED PARTS. Service the transmitter or receiver using qualified service technicians when:

- A power cord or plug is damaged
- The power socket on the transmitter or receiver is damaged
- Objects have fallen on, or liquid has spilled into the transmitter or receiver
- The transmitter or receiver was rained on or has become partially or fully submerged in water
- The transmitter or receiver does not operate normally or exhibits a marked change in performance
- The transmitter and receiver has been dropped or is damaged

Troubleshoot

THE TRANSMITTER OR RECEIVER LED IS NOT LIT:

1. Verify that the power adapter is plugged into a live power outlet.
2. Verify that the power adapter is not damaged.

IF YOUR SUBWOOFER ISN'T PRODUCING SOUND, BUT THE TRANSMITTER ACTIVE LIGHT IS BLUE AND THE RECEIVER LIGHT IS SOLID GREEN:

1. Verify that the wireless transmitter is plugged into a live power outlet. The receiver's green LED will blink if it does not receive the transmitter's signal.
2. Verify that the wireless transmitter's inputs are connected to the audio receiver's output. This wire may have become accidentally disconnected.
3. Increase the subwoofer's VOLUME level.
4. Increase the receiver's LFE or SUB OUT volume level, if it is adjustable.
5. If your receiver has a switch or menu to enable its LFE or SUB OUT, make sure this switch or menu is set to ON or YES.
6. Verify that the wireless transmitter's light is on solid. If the transmitter's light isn't on solid and the same CHANNEL is selected on both the wireless transmitter and receiver, select another matching CHANNEL for the wireless transmitter and receiver.

IF THE BASS DOESN'T SOUND LOUD ENOUGH TO YOU:

1. Increase the subwoofer's VOLUME level.
2. Increase the receiver's LFE or SUB OUT volume level, if it is adjustable.
3. Put the subwoofer closer to a corner of your room.

OR

The transmitter and receiver may have lost their broadcast connection.

1. Turn off power to the subwoofer, wireless transmitter, and wireless receiver.
2. Turn back on power to the wireless transmitter, then the wireless receiver, and then the subwoofer.
3. If cycling the power doesn't re-establish the broadcast connection, select another matching CHANNEL for the wireless transmitter and receiver.
4. If selecting another CHANNEL doesn't re-establish the broadcast connection, decrease the distance between the wireless receiver and the wireless transmitter to increase the broadcast signal strength between them.
5. Verify that the transmitter and wireless receiver aren't in close proximity to other electronic devices that could interfere with the wireless transmission and reception.

Packaging

Save the carton and packing materials for future use. Using other packaging for this unit may result in severe damage when shipping or moving. You can use this packaging should you ever move or need to return the WiConnect System to Velodyne for service. To save storage space, you can flatten the box and put the other packing material in a plastic bag.

**RESOURCES****Specifications**

Model	WiConnect System
Frequency Response	20 Hz – 16k Hz (+/- 0.5 dB)
Speaker-level Pass-through	Full range
Input Impedence	10k ohm
LED Power Indicator	Yes
Case (H x W x D)	1.0312" x 5.125" x 3.25" (29.4 mm x 130.2 mm x 82.6 mm)
Shipping Weight (approximate)	5 lbs. (2 Kg)
Wireless Transmitter Range	50' (15 m)
Wireless Transmitter Frequency	2.4 GHz
Warranty (North America)	3 years electronics (parts and labor)

A Note on Bandwidth:

Although this manual is written from the perspective of wireless signal transmission for subwoofers, you will see when reviewing the specifications that the WiConnect System has a very wide bandwidth (20-16k Hz +/- 0.5 dB). Thus, it could be used in some cases for full range signals as well.

Regulatory Information

FCC Compliance Statement

1. This device complies with Part 15 of the FCC Rules. Operation is subject to the following two conditions:

- (1) This device may not cause harmful interference.
- (2) This device must accept any interference received, including interference that may cause undesired operation.

2. Changes or modifications not expressly approved by the party responsible for compliance could void the user's authority to operate the equipment.

Note:

This equipment has been tested and found to comply with the limits for a Class B digital device, pursuant to Part 15 of the FCC Rules. These limits are designed to provide reasonable protection against harmful interference in a residential installation. This equipment generates, uses and can radiate radio frequency energy and, if not installed and used in accordance with the instructions, may cause harmful interference to radio communications. However, there is no guarantee that interference will not occur in a particular installation. If this equipment does cause harmful interference to radio or television reception, which can be determined by turning the equipment off and on, the user is encouraged to try to correct the interference by one or more of the following measures:

- Reorient or relocate the receiving antenna.
- Increase the separation between the equipment and the receiver.
- Connect the equipment into an outlet different from that to which the receiver is connected.
- Consult the dealer or an experienced radio/TV technician for help.

FCC Radiation Exposure Statement

This equipment complies with FCC radiation exposure limits set forth for an uncontrolled environment. This equipment should be installed and operated with minimum distance 20cm between the radiator & your body



Listen Responsibly

REFRAIN FROM LISTENING TO MUSIC AT HIGH VOLUMES for long periods of time to protect you from permanent hearing damage. The United States Occupational Health and Safety Administration (OSHA) standards recommend not listening to sound levels of 85 dB for more than 8 hours and to wear hearing protection if sound levels exceed 85 dB. Refer to the OSHA website for more information and updated recommendations about sound levels and hearing damage: www.osha.gov/dts/osta/otm/noise/standards_more.html

Legal Notice

Electronics Recycling



These products should not be treated as household waste. Instead, the transmitter, receiver, and power supplies should be taken to a certified collection point so that the electrical and electronic components can be recycled. By recycling these products through a certified collection point, you prevent potential environmental damage and help to conserve natural resources used in these products. Certain international, national and/or local laws and/or regulations may also apply regarding the disposal of this subwoofer. For further information, contact your local waste disposal service, your local city government office, or the retailer where you purchased this subwoofer.

Trademarks

The Velodyne logo is a trademark of Velodyne Acoustics, Inc.

FOR YOUR RECORDS. . .

Date Purchased _____

Dealer _____

Serial # _____

*NOTE: Please complete and return your warranty card within ten (10) days or

Register. . . ON LINE . . . It's faster . . . and easier www.velodyne.com**LIMITED WARRANTY - U.S. AND CANADA ONLY**

VELODYNE ACOUSTICS, Inc. ("VELODYNE") warrants all electronics for a period of three years, drivers for a period of five years, and full range speakers for a period of five years. All VELODYNE products have a warranty from the date of purchase against defects in materials and workmanship subject to the following conditions:

1. VELODYNE is not responsible for defects which result from the use of an amplifier or controller other than the one originally supplied with the unit (subwoofer) or defects which result from modifications or repairs made by any component of the system by anyone other than a VELODYNE factory authorized service representative.
2. This warranty is void if any repairs or service covered by the terms of this warranty are made to any component of the system by anyone other than a VELODYNE factory authorized service representative.
3. VELODYNE is not responsible for damage caused by accidents, abuse, misuse, natural or personal disaster or unauthorized modification. The VELODYNE products are not intended for professional or commercial use and VELODYNE is not responsible for damage resulting from such use.
4. The VELODYNE product warranty is limited to units that are purchased from authorized VELODYNE dealers and finalized within authorized dealer locations.
5. This warranty is nontransferable under any condition.
6. Use of this product outside the U.S. and Canada voids this warranty.

TO OBTAIN SERVICE

Information regarding service may be obtained from the dealer from whom you purchased the unit, or by contacting VELODYNE customer service. Warranty service must be performed by a VELODYNE factory authorized service representative within the warranty period set forth above. If VELODYNE determines the unit is defective, VELODYNE will, at VELODYNE's option, repair or replace the product at no charge if the product is forwarded prepaid to a factory authorized service representative. Products forwarded to the factory authorized service representative should be shipped securely and properly packaged, insured and freight prepaid.

WARRANTY OUTSIDE THE UNITED STATES AND CANADA

The Warranty of this product if it is sold to a consumer outside of the United States or Canada shall comply with applicable law and shall be the sole responsibility of the distributor that supplied this product. To obtain any applicable warranty service, please contact the dealer from which you purchased this product, or the distributor that supplied this product.