

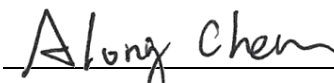
FCC C2PC Test Report

FCC ID : YQMLLS090
Equipment : Focus Premium ; Focus Core
(Refer to item 1.1.1 for more details.)
Model No. : Focus Premium ; Focus Core
(Refer to item 1.1.1 for more details.)
Brand Name : FARO
Applicant : FARO Technologies, Inc.
Address : 250 Technology Park, Lake Mary, Florida,
United States, 32746
Standard : 47 CFR FCC Part 15.247
Received Date : Aug. 10, 2022
Tested Date : Aug. 17, 2022

We, International Certification Corporation, would like to declare that the tested sample has been evaluated and in compliance with the requirement of the above standards. The test results contained in this report refer exclusively to the product. It shall not be reproduced except in full without the written approval of our laboratory.

Reviewed by:

Approved by:



Along Chen / Assistant Manager



Gary Chang / Manager

Table of Contents

1	GENERAL DESCRIPTION	5
1.1	Information.....	5
1.2	Local Support Equipment List	8
1.3	Test Setup Chart	8
1.4	Test Equipment List and Calibration Data.....	9
1.5	Test Standards	9
1.6	Reference Guidance	9
1.7	Deviation from Test Standard and Measurement Procedure.....	9
1.8	Measurement Uncertainty	9
2	TEST CONFIGURATION.....	10
2.1	Testing Facility	10
2.2	The Worst Test Modes and Channel Details	10
3	TRANSMITTER TEST RESULTS	11
3.1	Emissions in Restricted Frequency Bands.....	11
4	TEST LABORATORY INFORMATION	15

Release Record

Report No.	Version	Description	Issued Date
FR1D1602-02AE	Rev. 01	Initial issue	Sep. 27, 2022

Summary of Test Results

FCC Rules	Test Items	Measured	Result
15.247(d) 15.209	Radiated Emissions	[dBuV/m at 3m]: 475.25MHz 42.19 (Margin -3.81dB) - PK	Pass

Declaration of Conformity:

The test results with all measurement uncertainty excluded are presented in accordance with the regulation limits or requirements declared by manufacturers.

Comments and Explanations:

The declared of product specification for EUT presented in the report are provided by the manufacturer, and the manufacturer takes all the responsibilities for the accuracy of product specification.

1 General Description

1.1 Information

This is a Class II Permissive Change report (C2PC).

This report is issued as a supplementary report to original report no. FR1D1602AE. The modification is adding one model **Focus Core**. Differences between two models are listed in 1.1.1.

1.1.1 Product Details

The following models are provided to this EUT. **(New addition is marked in boldface.)**

Model Name	Product Name	Description
Focus Premium	Focus Premium	Two model names with same hardware, RF function and user's manual. The difference is listed as below: 1. Focus Premium - The scanner is designed to scan objects at distances between 0.5 meters and approximately 70, 150, or 350 meters, depending on your license. Focus Core - The scanner is designed to scan objects at distances between 0.5 meters and approximately 70 meters. 2. Focus Premium - "Status indicator" is accessory Focus Core - "Status indicator" is not accessory, user needs to buy it from FARO company.
Focus Core	Focus Core	

1.1.2 Specification of the Equipment under Test (EUT)

RF General Information				
Frequency Range (MHz)	Bluetooth Mode	Ch. Freq. (MHz)	Channel Number	Data Rate
2400-2483.5	V5.0 LE	2402-2480	0-39 [40]	1 Mbps
Note 1: Bluetooth LE (Low energy) uses GFSK modulation.				

1.1.3 Antenna Details

Ant. No.	Type	Connector	Gain (dBi)
1	Dipole	UFL	2.55

1.1.4 Power Supply Type of Equipment under Test (EUT)

Power Supply Type	14.4Vdc from battery
-------------------	----------------------

1.1.5 Accessories

Accessories		
No.	Equipment	Description
1	Battery	Brand: Akku Power GmbH Model: ACCS-PWR-0014 Power Rating: Nom. Voltage: 14.4V Capacity: 6.8Ah Watt Hour: 97.92Wh Serial Number: 01562
2	3D_AC_LS_SD Card Reader	Brand: Transcend Model: G23758
3	SD Card	Brand: SanDisk Extreme PRO (170MB/s) Capacity: 64GB
4	Status Indicator	Model: 900-000038-001

1.1.6 Test Sample Information

Serial Number of Test Sample	Radiated Emission: LLS092125026
-------------------------------------	---------------------------------

1.1.7 Channel List

Frequency band (MHz)				2400~2483.5			
Channel	Frequency (MHz)	Channel	Frequency (MHz)	Channel	Frequency (MHz)	Channel	Frequency (MHz)
37	2402	9	2422	18	2442	28	2462
0	2404	10	2424	19	2444	29	2464
1	2406	38	2426	20	2446	30	2466
2	2408	11	2428	21	2448	31	2468
3	2410	12	2430	22	2450	32	2470
4	2412	13	2432	23	2452	33	2472
5	2414	14	2434	24	2454	34	2474
6	2416	15	2436	25	2456	35	2476
7	2418	16	2438	26	2458	36	2478
8	2420	17	2440	27	2460	39	2480

1.1.8 Test Tool and Duty Cycle

Test Tool	QRCT_CONN, Version: v30161	
Duty Cycle and Duty Factor	Duty Cycle (%)	Duty Factor (dB)
	68.52	1.64

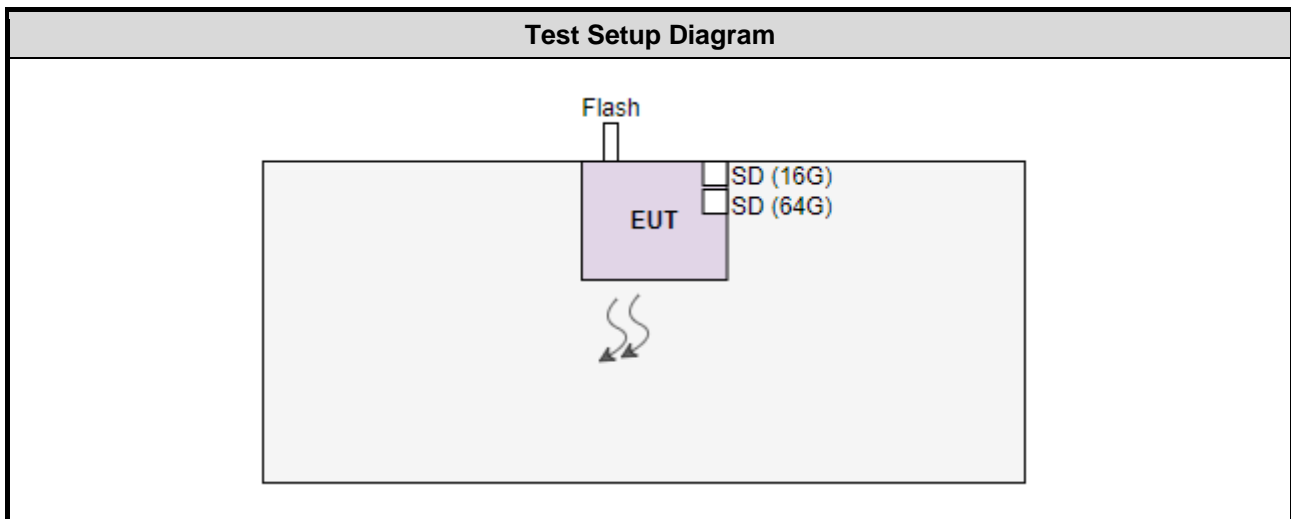
1.1.9 Power Index of Test Tool

Modulation Mode	Test Frequency (MHz)		
	2402	2440	2480
BT LE-1Mbps	Default	Default	Default

1.2 Local Support Equipment List

Support Equipment List					
No.	Equipment	Brand	Model	FCC ID	Remarks
1	Notebook	DELL	Latitude 5400	DoC	---
2	USB to RJ45	---	---	---	Provided by applicant.
3	USB 3.1 Flash	pqi	Connect 313/16GB	---	---
4	SD Card	SanDisk	16GB	---	Provided by applicant.

1.3 Test Setup Chart



Note: The notebook & USB to RJ45 cable is disconnected from EUT and removed from test table when EUT is set to transmit continuously.

1.4 Test Equipment List and Calibration Data

Test Item	Radiated Emission Below 1GHz				
Test Site	966 chamber3 / (03CH03-WS)				
Tested Date	Aug. 17, 2022				
Instrument	Brand	Model No.	Serial No.	Calibration Date	Calibration Until
Receiver	R&S	ESR3	101657	Mar. 15, 2022	Mar. 14, 2023
Loop Antenna	R&S	HFH2-Z2	100330	Nov. 08, 2021	Nov. 07, 2022
Bilog Antenna	SCHWARZBECK	VULB9168	VULB9168-685	Jun. 28, 2022	Jun. 27, 2023
Preamplifier	EMC	EMC02325	980187	Jul. 16, 2022	Jul. 15, 2023
Loop Antenna Cable	KOAX KABEL	101354-BW	101354-BW	Oct. 05, 2021	Oct. 04, 2022
LF cable-0.8M	EMC	EMC8D-NM-NM-800	EMC8D-NM-NM-800-001	Sep. 24, 2021	Sep. 23, 2022
LF cable-3M	EMC	EMC8D-NM-NM-3000	131103	Sep. 24, 2021	Sep. 23, 2022
LF cable-13M	EMC	EMC8D-NM-NM-13000	131104	Sep. 24, 2021	Sep. 23, 2022
Measurement Software	AUDIX	e3	6.120210g	NA	NA
Note: Calibration Interval of instruments listed above is one year.					

1.5 Test Standards

47 CFR FCC Part 15.247
ANSI C63.10-2013

1.6 Reference Guidance

FCC KDB 558074 D01 15.247 Meas Guidance v05r02

1.7 Deviation from Test Standard and Measurement Procedure

None

1.8 Measurement Uncertainty

The measurement uncertainties given below are based on a 95% confidence level (based on a coverage factor (k=2)).

Measurement Uncertainty	
Parameters	Uncertainty
Radiated emission \leq 1GHz	\pm 3.96 dB

2 Test Configuration

2.1 Testing Facility

Test Laboratory	International Certification Corporation
Test Site	03CH03-WS
Address of Test Site	No.14-1, Lane 19, Wen San 3rd St., Kwei Shan Dist., Tao Yuan City 333, Taiwan (R.O.C.)

- FCC Designation No.: TW0009
- FCC site registration No.: 207696
- ISED#: 10807C
- CAB identifier: TW2732

2.2 The Worst Test Modes and Channel Details

Test item	Mode	Test Frequency (MHz)	Test Configuration
Radiated Emissions \leq 1GHz	BT-LE(1Mbps)	2480	---

3 Transmitter Test Results

3.1 Emissions in Restricted Frequency Bands

3.1.1 Limit of Emissions in Restricted Frequency Bands

Restricted Band Emissions Limit			
Frequency Range (MHz)	Field Strength (uV/m)	Field Strength (dBuV/m)	Measure Distance (m)
0.009~0.490	2400/F(kHz)	48.5 - 13.8	300
0.490~1.705	24000/F(kHz)	33.8 - 23	30
1.705~30.0	30	29	30
30~88	100	40	3
88~216	150	43.5	3
216~960	200	46	3
Above 960	500	54	3

Note 1:
Qusai-Peak value is measured for frequency below 1GHz except for 9–90 kHz, 110–490 kHz frequency band. Peak and average value are measured for frequency above 1GHz. The limit on average radio frequency emission is as above table. The limit on peak radio frequency emissions is 20 dB above the maximum permitted average emission limit

Note 2:
Measurements may be performed at a distance other than what is specified provided. When performing measurements at a distance other than that specified, the results shall be extrapolated to the specified distance using an extrapolation factor as below, Frequency at or above 30 MHz: 20 dB/decade Frequency below 30 MHz: 40 dB/decade.

3.1.2 Test Procedures

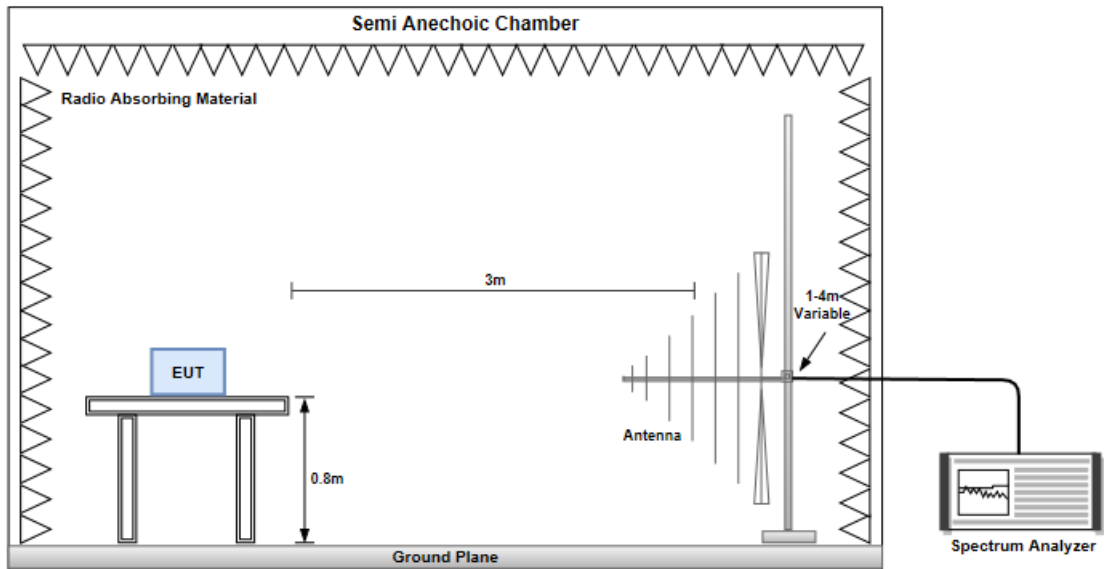
1. Measurement is made at a semi-anechoic chamber that incorporates a turntable allowing a EUT rotation of 360°. A continuously-rotating, remotely-controlled turntable is installed at the test site to support the EUT and facilitate determination of the direction of maximum radiation for each EUT emission frequency. The EUT is placed at test table. For emissions testing at or below 1 GHz, the table height is 80 cm above the reference ground plane. For emission measurements above 1 GHz, the table height is 1.5 m
2. Measurement is made with the antenna positioned in both the horizontal and vertical planes of polarization. The measurement antenna is varied in height (1m ~ 4m) above the reference ground plane to obtain the maximum signal strength. Distance between EUT and antenna is 3 m.
3. This investigation is performed with the EUT rotated 360°, the antenna height scanned between 1 m and 4 m, and the antenna rotated to repeat the measurements for both the horizontal and vertical antenna polarizations.

Note:

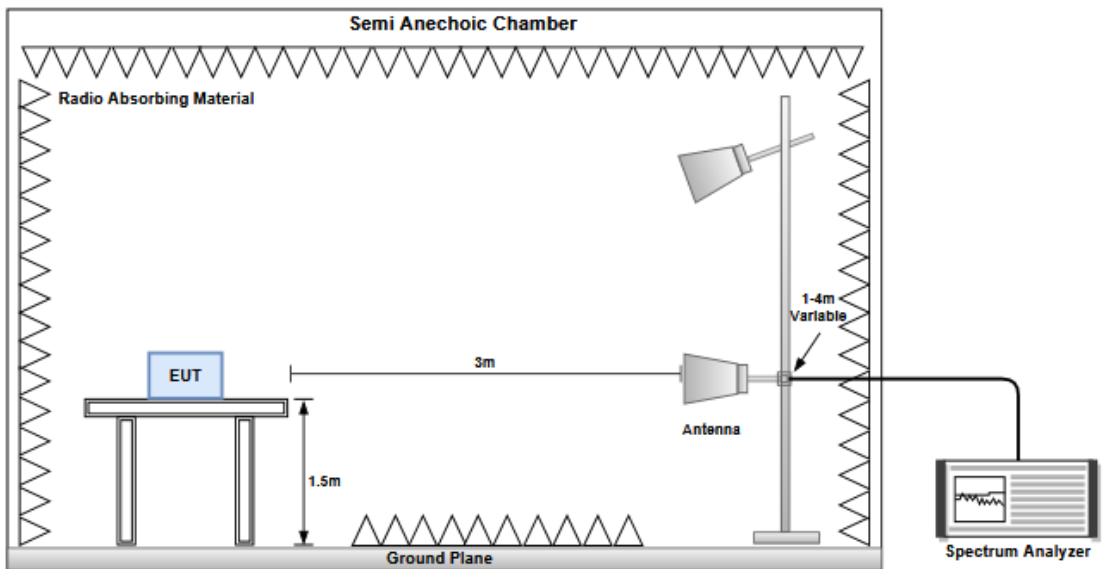
1. 120kHz measurement bandwidth of test receiver and Quasi-peak detector is for radiated emission below 1GHz.
2. RBW=1MHz, VBW=3MHz and Peak detector is for peak measured value of radiated emission above 1GHz.
3. RBW=1MHz, VBW=1/T and Peak detector is for average measured value of radiated emission above 1GHz.

3.1.3 Test Setup

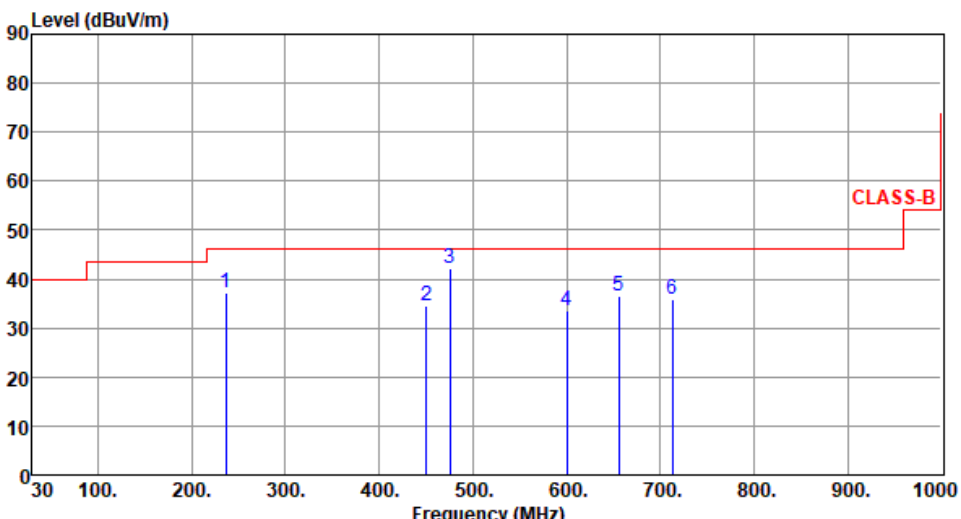
Radiated Emissions below 1 GHz



Radiated Emissions above 1 GHz



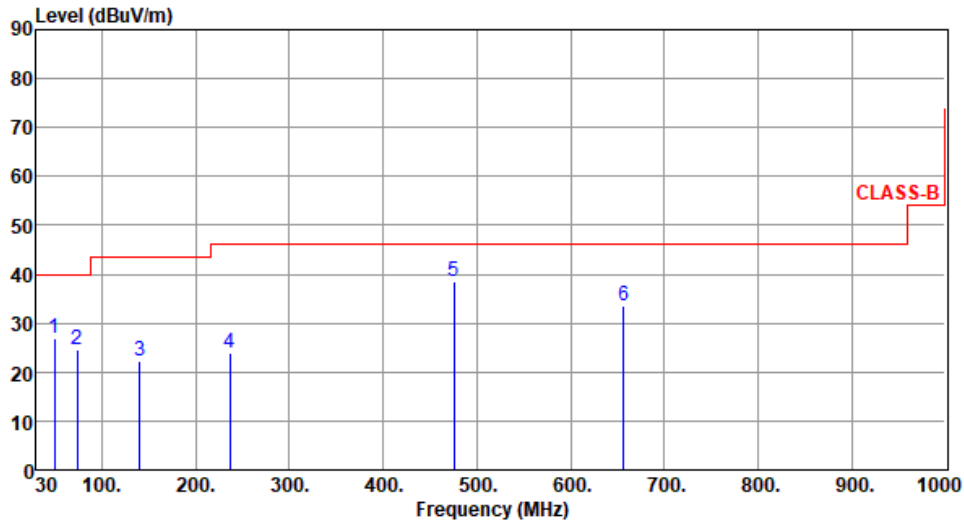
3.1.4 Transmitter Radiated Unwanted Emissions (Below 1GHz)

Modulation	BT LE-1Mbps	Test Freq. (MHz)	2480						
Polarization	Horizontal								
Test By :Roger Lu- Temperature(°C):26 Humidity(%):61									
									
	Freq.	Emission level	Limit	Margin	SA reading	Factor	Remark	ANT High cm	Turn Table deg
	MHz	dBuV/m	dBuV/m	dB	dBuV	dB/m			
1	236.18	37.27	46.00	-8.73	47.55	-10.28	Peak	---	---
2	450.18	34.62	46.00	-11.38	38.18	-3.56	Peak	---	---
3	475.25	42.19	46.00	-3.81	45.28	-3.09	Peak	---	---
4	600.52	33.62	46.00	-12.38	33.72	-0.10	Peak	---	---
5	656.17	36.48	46.00	-9.52	35.68	0.80	Peak	---	---
6	712.72	35.94	46.00	-10.06	34.08	1.86	Peak	---	---

Note 1: Emission Level (dBuV/m) = SA Reading (dBuV) + Factor* (dB/m)
*Factor includes antenna factor , cable loss and amplifier gain
Note 2: Margin (dB) = Emission level (dBuV/m) – Limit (dBuV/m).
Note 3: All spurious emissions below 30MHz are more than 20 dB below the limit.

Modulation	BT LE-1Mbps	Test Freq. (MHz)	2480
Polarization	Vertical		

Test By :Roger Lu- Temperature(°C):26 Humidity(%):61



	Freq. MHz	Emission level dBuV/m	Limit dBuV/m	Margin dB	SA reading dBuV	Factor dB/m	Remark	ANT High cm	Turn Table deg
1	49.28	26.92	40.00	-13.08	35.26	-8.34	Peak	---	---
2	73.48	24.61	40.00	-15.39	36.53	-11.92	Peak	---	---
3	140.72	22.15	43.50	-21.35	31.35	-9.20	Peak	---	---
4	236.58	23.78	46.00	-22.22	34.02	-10.24	Peak	---	---
5	475.26	38.42	46.00	-7.58	41.51	-3.09	Peak	---	---
6	656.72	33.59	46.00	-12.41	32.79	0.80	Peak	---	---

Note 1: Emission Level (dBuV/m) = SA Reading (dBuV) + Factor* (dB/m)

*Factor includes antenna factor , cable loss and amplifier gain

Note 2: Margin (dB) = Emission level (dBuV/m) – Limit (dBuV/m).

Note 3: All spurious emissions below 30MHz are more than 20 dB below the limit.

4 Test laboratory information

Established in 2012, ICC provides foremost EMC & RF Testing and advisory consultation services by our skilled engineers and technicians. Our services employ a wide variety of advanced edge test equipment and one of the widest certification extents in the business.

International Certification Corporation (EMC and Wireless Communication Laboratory), it is our definitive objective is to institute long term, trust-based associations with our clients. The expectation we set up with our clients is based on outstanding service, practical expertise and devotion to a certified value structure. Our passion is to grant our clients with best EMC / RF services by oriented knowledgeable and accommodating staff.

Our Test sites are located at Linkou District and Kwei Shan District. Location map can be found on our website <http://www.icertifi.com.tw>.

Linkou

Tel: 886-2-2601-1640

No.30-2, Ding Fwu Tsuen, Lin Kou
District, New Taipei City, Taiwan
(R.O.C.)

Kwei Shan

Tel: 886-3-271-8666

No.3-1, Lane 6, Wen San 3rd
St., Kwei Shan Dist., Tao Yuan
City 33381, Taiwan (R.O.C.)
No.2-1, Lane 6, Wen San 3rd
St., Kwei Shan Dist., Tao Yuan
City 33381, Taiwan (R.O.C.)

Kwei Shan Site II

Tel: 886-3-271-8640

No.14-1, Lane 19, Wen San 3rd
St., Kwei Shan Dist., Tao Yuan
City 333, Taiwan (R.O.C.)

If you have any suggestion, please feel free to contact us as below information.

Tel: 886-3-271-8666

Fax: 886-3-318-0155

Email: ICC_Service@icertifi.com.tw

==END==