

GV57MG V2 User Manual

EGPRS/LTE Cat-M1/LTE Cat-NB2/GNSS Tracker

TRACGV57MGV2UM001



Document Title	GV57MG V2 User Manual
Version	1.00
Date	April 23, 2023
Status	Release
Document Control ID	TRACGV57MGV2UM001

General Notes

Queclink offers this information as a service to its customers, to support application and engineering efforts that use the products designed by Queclink. The information provided is based upon requirements specifically provided to Queclink by the customers. Queclink has not undertaken any independent search for additional relevant information, including any information that may be in the customer's possession. Furthermore, system validation of this product designed by Queclink within a larger electronic system remains the responsibility of the customer or the customer's system integrator. All specifications supplied herein are subject to change.

Copyright

This document contains proprietary technical information which is the property of Queclink Wireless Solutions Co., Ltd. The copying of this document, distribution to others, and communication of the content thereof, are forbidden without express authority. Offenders are liable to the payment of damages. All rights are reserved in the event of a patent grant or registration of a utility model or design. All specifications supplied herein are subject to change without notice at any time.

Contents

Table Index.....	4
Figure Index.....	5
History.....	6
1. Introduction.....	7
1.1 Reference.....	7
1.2 Terms and Abbreviations.....	7
2. Product Overview.....	8
2.1 Overview.....	8
2.2 Parts List.....	8
2.3 Interface Definition.....	10
3. Getting Started.....	11
3.1 Installing a SIM Card.....	11
3.2 USB Interface.....	12
3.3 UART Interface.....	13
3.4 Power Connection.....	14
3.5 Ignition Detection.....	15
3.6 Digital Input.....	15
3.7 Digital Output.....	16
3.8 LED Status.....	17
3.9 Motion Sensor Direction.....	18
4. Troubleshooting and Safety Information.....	20
4.1 Troubleshooting.....	20
4.2 Safety Information.....	20

Table Index

Table 1: GV57MG V2 Protocol Reference	7
Table 2: Terms and Abbreviations	7
Table 3: GV57MG V2 Parts List	8
Table 4: Description of 5-PIN Connections.....	10
Table 5: Electrical Characteristics of Ignition Detection.....	15
Table 6: Electrical Characteristics of Digital Input	15
Table 7: Electrical Characteristics of Digital Output.....	16
Table 8. Definition of Device Status and LED.....	18

Figure Index

FIGURE 1. APPEARANCE OF GV57MG V2	8
FIGURE 2. GV57MG V2 5-PIN PITCH CONNECTOR CABLE	10
FIGURE 4. TYPICAL IGNITION DETECTION.....	15
FIGURE 5.TYPICAL DIGITAL INPUT CONNECTION.....	16
FIGURE 6. INTERNAL DRIVER CIRCUIT FOR DIGITAL OUTPUT	16
FIGURE 7. TYPICAL CONNECTION WITH A RELAY	17
FIGURE 8. GV57MG V2 LEDS ON THE CASE	17
FIGURE 9. MOTION SENSOR DIRECTION.....	19

History

Version	Date	Author	Description of Change
1.00	April 27, 2023	Oliver Ding	Initial.

1. Introduction

The GV57MG V2 is a compact GNSS vehicle tracking device that supports EGPRS and LTE Cat M1/NB2. It is designed for a wide variety of applications such as stolen vehicle recovery, motorcycle monitoring and other basic tracking applications. The built-in GNSS receiver has superior sensitivity and fast initial positioning. The full-featured @Track Air Interface Protocol provides the complete documentation, so it's easy to learn system integration. The protocol supports a wide variety of reports including emergency alarm, geo-fence boundary crossings, external power supply monitoring and position reports.

1.1 Reference

Table 1: GV57MG V2 Protocol Reference

SN	Document Name	Remark
[1]	GV57MG V2 @Track Air Interface Protocol	The air protocol interface between GV57MG V2 and backend server.

1.2 Terms and Abbreviations

Table 2: Terms and Abbreviations

Abbreviation	Description
IN1	Digital Input1
VIN	External DC Power Input
GND	Ground
OUT	Digital Output
IGN	Ignition

2. Product Overview

2.1 Overview


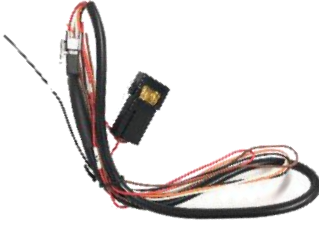
To get started, we recommend to check the parts list first. If anything is missing, please contact your sales representative.



Figure 1. Appearance of GV57MG V2

2.2 Parts List

Table 3: GV57MG V2 Parts List

Name	Picture
GV57MG V2 Locator	
User Cable	

GV57MG V2 UART Cable (Optional)



GV57MG V2 USB Cable (Optional)



Note: The GV57MG V2 UART cable and the USB cable are optional accessories and may not be delivered along.

2.3 Interface Definition

The GV57MG V2 has a 5-PIN pitch connector cable that is used to connect to the power and I/Os. You can find the cable in Figure 2, and its sequence and description in Table 4.

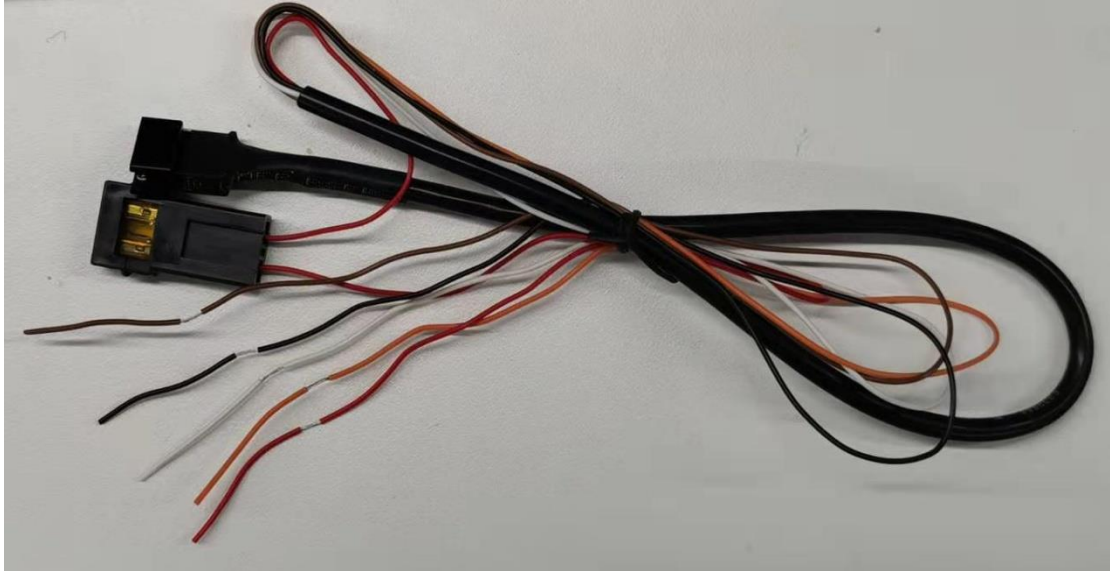


Figure 2. GV57MG V2 5-PIN Pitch Connector Cable

Table 4: Description of 5-PIN Connections

Index	Description	Color	Remark
1	IN1	Orange	Digital Input1,negative trigger
2	VIN	Red	External DC Power Input, 8-32V
3	GND	Black	Ground
4	OUT	Brown	Digital Output, open drain, 150mA max
5	IGN	White	Ignition input, positive trigger

3. Getting Started

3.1 Installing a SIM Card

Step 1

Open the top cover.



Note: Please unplug the 5-PIN pitch connector cable and make ensure the device is not powered up. Don't disassemble the device repeatedly, otherwise it may affect the waterproof performance of the device.

Step 2

Make sure the small notch in the corner of the SIM card matches the one in the SIM card tray so that it fits properly. The words or logo on the SIM card should be facing up. Slide the SIM card tray back into the SIM card slot.



Step 3

Press to close the top and bottom covers until you hear a snap. Make sure that there is a

tight fit between the covers and the seal ring.



Step 4

Screw down the device covers.



3.2 USB Interface

The GV57MG V2 has a USB interface that is used for firmware download by using the USB cable .



3.3 UART Interface

The GV57MG V2 has an optional UART cable for configuration. The physical interface used by it is the same as that used by as the USB interface.



Note: The UART cable and USB cable of the GV57MG V2 are oriented when plugged into the corresponding connector. The cables need to be vertically down and the connector direction of the cables needs to be as shown below.



3.4 Power Connection

The PIN 2 (VIN, red) and the PIN 3 (GND, black) are used for power input. The power source you connect to the PINs has to be 8V to 32V for the GV57MG V2 to work. The device is designed to be installed in vehicles that operate on 12V/24V systems without the need to use external transformers.

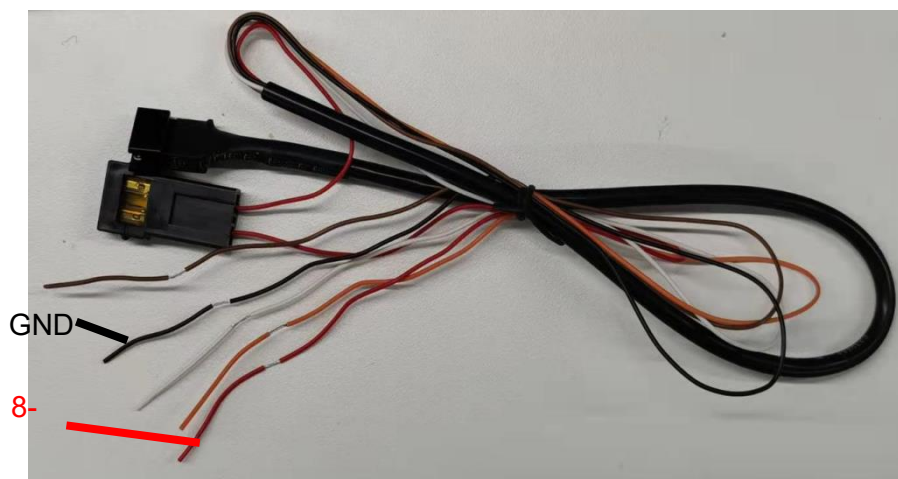


Figure 3. Typical Power Connection

3.5 Ignition Detection

Table 5: Electrical Characteristics of Ignition Detection

Logical Status	Electrical Characteristics
Active	5.0V to 32V
Inactive	0V to 3V or open

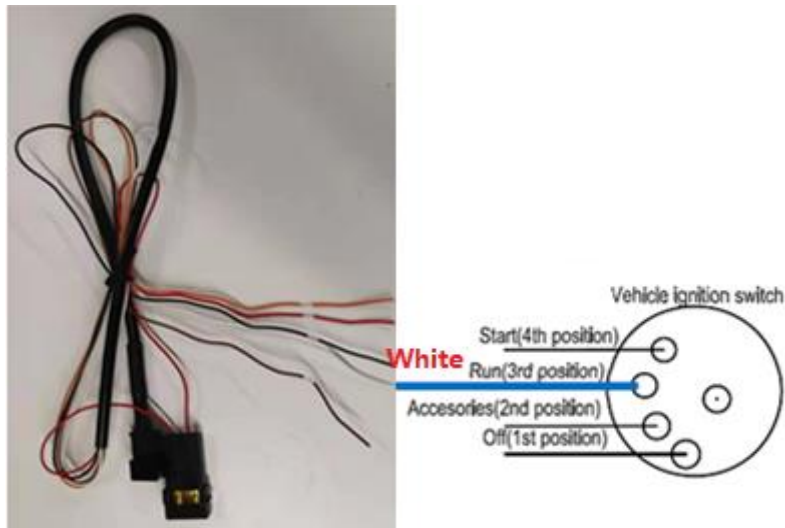


Figure 4. Typical Ignition Detection

The PIN 5 (IGN, white) is used for ignition detection. We recommend that you connect it to the RUN position of the vehicle ignition switch as shown (Figure 4).

If you look for an alternative, we recommend that you find a power source that is available only when the vehicle is started, for example, the power source for the FM radio. The device will send messages to the backend server as the IGN signal completes configuration when the ignition is on, and switch to the power saving mode when the ignition is off.

3.6 Digital Input

There is one general purpose digital input on GV57MG V2. It is a negative trigger.

Table 6: Electrical Characteristics of Digital Input

Logical Status	Electrical Characteristics
Active	0V to 0.8V
Inactive	Open

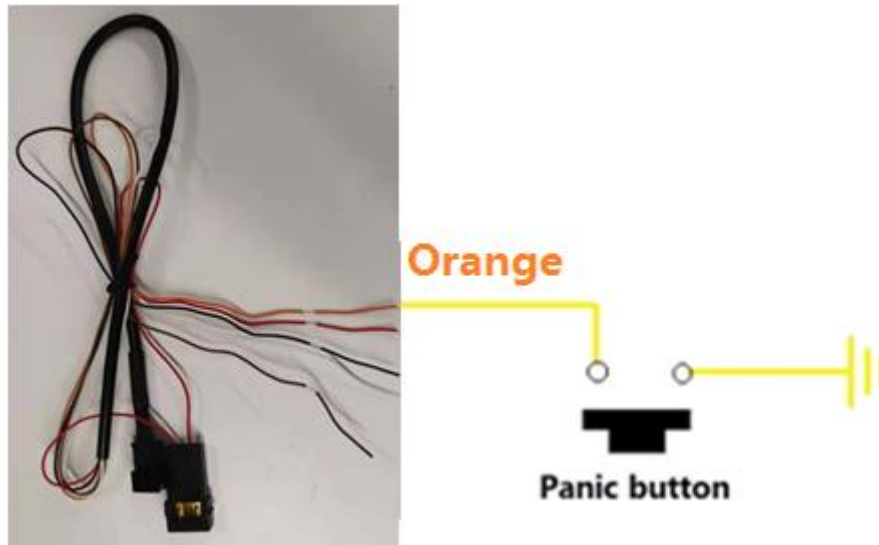


Figure 5. Typical Digital Input Connection

3.7 Digital Output

The PIN 4 (OUT, brown) is an open-drain digital output. The maximum drain current for the device is 150mA.

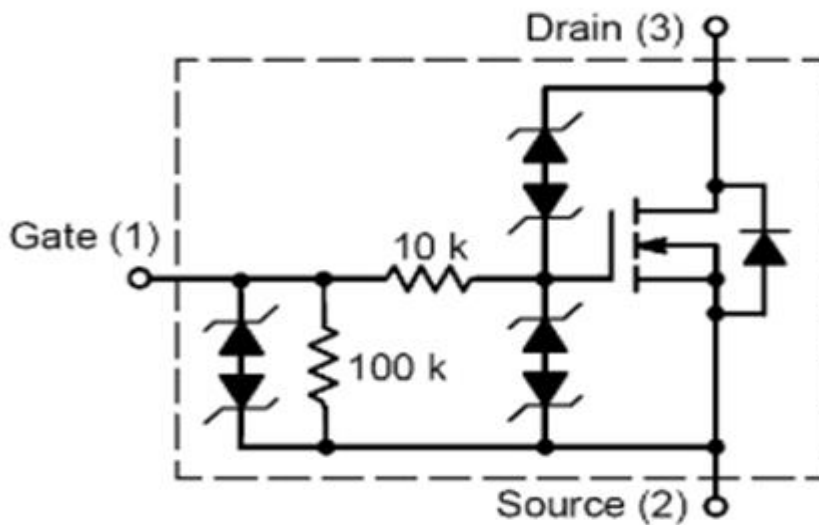


Figure 6. Internal Driver Circuit for Digital Output

Table 7: Electrical Characteristics of Digital Output

Index	Description	Remark
1	Enable	<1.5V @ 150mA
2	Disable	Open drain

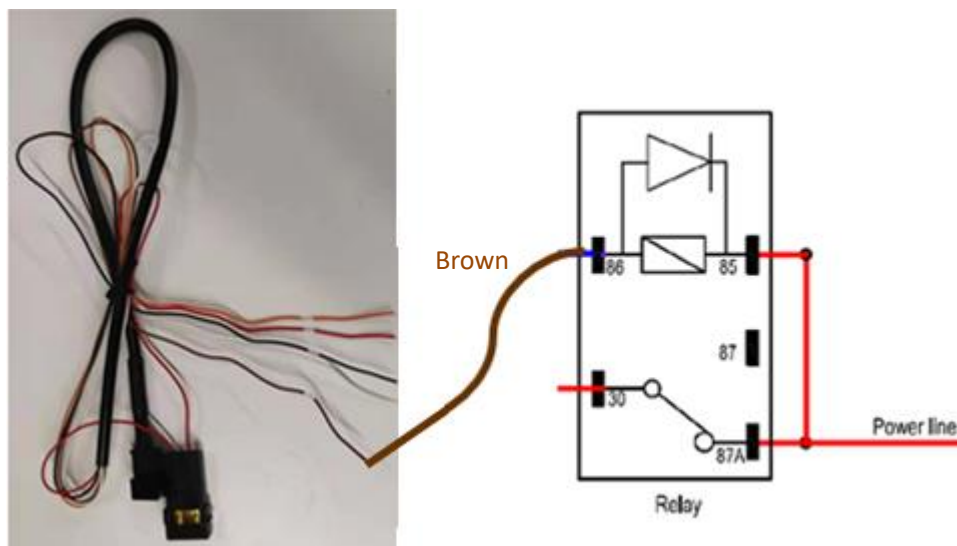


Figure 7. Typical Connection with a Relay

Note:

1. Many modern relays already have the freewheeling diodes inside. If the relay has this diode, make ensure the polarity of the relay is connected correctly when using it. If not built in, the diode should be added outside the relay. A common diode such as a 1N4004 will work in most circumstances.

3.8 LED Status

The GV57MG V2 has two status LEDs that are Cellular LED and GNSS LED respectively.



Figure 8. GV57MG V2 LEDs on the Case

Table 8. Definition of Device Status and LED

LED	Device Status	LED Status
Cellular LED (Green)	The device is searching for network.	Fast flashing
	The device has been registered to on network.	Slow flashing
	The SIM card needs pin code to unlock.	Solid green
	The device is connected to another device via Bluetooth for the first time, when <i><Target Mac Address></i> is set by the AT+GTSVR command.	2000ms ON/2000ms OFF(last 40s)
GNSS LED (Red)	GNSS is turned off.	OFF
	The device has got GNSS location information.	Solid red
	The device is searching for GNSS signal.	Fast flashing
	GNSS sends no data or data format error occurs.	Slow flashing

Note:

1. The fast flashing of the Cellular LED is about 100ms when the LED indicator is on and 800ms when it is off.
2. The slow flashing of the Cellular LED is about 100ms when the LED indicator is on and 2000ms when it is off.
3. The fast flashing of the GNSS LED is about 100ms when the LED indicator is on and 100ms when it is off.
4. The slow flashing of the GNSS LED is about 600ms when the LED indicator is on and 600ms when it is off.

3.9 Motion Sensor Direction

The GV57MG V2 has an internal 3-axis accelerometer that supports motion detection. The following screenshot shows the directions of the motion sensor. The z-axis points vertically inward.



Figure 9. Motion Sensor Direction

4. Troubleshooting and Safety Information

4.1 Troubleshooting

Problem	Possible Reason	Solution
The Cellular LED flashes fast all the time when the device is on.	1. The cellular signal strength is weak; Or 2. The device isn't registered on network.	Please place the device in an area with good network coverage.
Messages can't be reported to the backend server.	The IP address or port of the backend server is wrong.	Please check and make sure the IP address is identified by the internet.
The device can't power off.	The device is connected to the ignition wire.	Please disconnect the ignition wire and try again.
The device can't get successful GNSS fix.	The GNSS signal is weak.	1. Please place the device in an open area. Or
		2. Let the side without LED indicators face up.

4.2 Safety Information

- Don't disassemble the device by yourself.
- Don't place the device in an environment with high temperature and high humidity. Avoid exposure to direct sunlight. The high temperature will damage the device and even cause a battery explosion.
- Don't use the device on the airplane or near the medical equipment.

This device complies with part 15 of the FCC rules . Operation is subject to the following two conditions: (1) this device may not cause harmful interference, and (2) this device must accept any interference received, including interference that may cause undesired operation.

NOTE: The manufacturer is not responsible for any radio or TV interference caused by unauthorized modifications to this equipment. Such modifications could void the user's authority to operate the equipment.

NOTE: This equipment has been tested and found to comply with the limits for a Class B digital device, pursuant to part 15 of the FCC Rules. These limits are designed to provide reasonable protection against harmful interference in a residential installation. This equipment generates uses and can radiate radio frequency energy and, if not installed and used in accordance with the instructions, may cause harmful interference to radio communications. However, there is no guarantee that interference will not occur in a particular installation. If this equipment does cause harmful interference to radio or television reception, which can be determined by turning the equipment off and on, the user is encouraged to try to correct the interference by one or more of the following measures:

- Reorient or relocate the receiving antenna.
- Increase the separation between the equipment and receiver.
- Connect the equipment into an outlet on a circuit different from that to which the receiver is connected.
- Consult the dealer or an experienced radio/TV technician for help
- This device and its antenna(s) must not be co-located or operating in conjunction with any other antenna or transmitter.

This equipment complies with FCC radiation exposure limits set forth for an uncontrolled environment. This equipment should be installed and operated with minimum distance of 20 cm between the radiator and your body. This transmitter must not be co-located or operating in conjunction with any other antenna or transmitter.