



中认信通

CHINA CERTIFICATION ICT CO., LTD (DONGGUAN)



TEST REPORT

Applicant: Queclick Wireless Solutions Co.,Ltd

Address: No.30, Lane 500, Xinlong Road, Minhang District, Shanghai, China 201101

FCC ID: YQD-GV50

Product Name: GPS Tracker

Model Number: GV50, GV50N, GV50Plus

Standard(s): 47 CFR Part 2

47 CFR Part 22, Subpart H

47 CFR Part 24, Subpart E

ANSI C63.26-2015

KDB 971168 D01 Power Meas License Digital Systems

v03r01

The above equipment has been tested and found compliant with the requirement of the relative standards by China Certification ICT Co., Ltd (Dongguan)

Report Number: CR22070062-00

Date Of Issue: 2022-08-19

Reviewed By: Sun Zhong

Sun Zhong

Title: Manager

Test Laboratory: China Certification ICT Co., Ltd (Dongguan)

No. 113, Pingkang Road, Dalang Town, Dongguan,

Guangdong, China

Tel: +86-769-82016888

Test Facility

The Test site used by China Certification ICT Co., Ltd (Dongguan) to collect test data is located on the No. 113, Pingkang Road, Dalang Town, Dongguan, Guangdong, China.

The lab has been recognized as the FCC accredited lab under the KDB 974614 D01 and is listed in the FCC Public Access Link (PAL) database, FCC Registration No. : 442868, the FCC Designation No. : CN1314.

The lab has been recognized by Innovation, Science and Economic Development Canada to test to Canadian radio equipment requirements, the CAB identifier: CN0123.

Declarations

China Certification ICT Co., Ltd (Dongguan) is not responsible for the authenticity of any test data provided by the applicant. Data included from the applicant that may affect test results are marked with a triangle symbol “▲”. Customer model name, addresses, names, trademarks etc. are not considered data.

Unless otherwise stated the results shown in this test report refer only to the sample(s) tested.

This report cannot be reproduced except in full, without prior written approval of the Company.

This report is valid only with a valid digital signature. The digital signature may be available only under the Adobe software above version 7.0.

This report may contain data that are not covered by the accreditation scope and shall be marked with an asterisk “★”.

CONTENTS

TEST FACILITY	2
DECLARATIONS.....	2
1. GENERAL INFORMATION	4
1.1 PRODUCT DESCRIPTION FOR EQUIPMENT UNDER TEST (EUT)	4
1.2 DESCRIPTION OF TEST CONFIGURATION.....	5
1.2.2 Support Equipment List and Details	6
1.2.3 Support Cable List and Details	6
1.2.4 Block Diagram of Test Setup.....	6
1.3 MEASUREMENT UNCERTAINTY	7
2. SUMMARY OF TEST RESULTS	8
3. REQUIREMENTS AND TEST PROCEDURES	9
3.1 Applicable Standard For Part 22 Subpart H:.....	9
3.1.1 RF Output Power	9
3.1.2 Spurious Emissions	9
3.1.3 Frequency stability.....	9
3.2 Applicable Standard For Part 24 Subpart E:	10
3.2.1 RF Output Power	10
3.2.2 Spurious Emissions	10
3.2.3 Frequency stability.....	10
3.3 Test Method:.....	11
3.3.1 RF Output Power	11
Test Setup Block:.....	11
3.3.2 Occupied Bandwidth.....	12
Test Setup Block:.....	12
3.3.3 Spurious emissions at antenna terminals.....	13
Test Setup Block:.....	13
3.3.4 Out of band emission	14
Test Setup Block:.....	14
3.3.5 Frequency stability.....	15
Test Setup Block:.....	15
3.3.6 Field strength of spurious radiation.....	16
4. Test DATA AND RESULTS.....	18
4.1 ANTENNA PORT TEST DATA AND RESULTS FOR GSM 850 BAND:.....	18
4.2 ANTENNA PORT TEST DATA AND RESULTS FOR GSM 1900 BAND:.....	23
4.3 SPURIOUS EMISSIONS	28
5. RF EXPOSURE EVALUATION	31
5.1 APPLICABLE STANDARD.....	31
5.2 MEASUREMENT RESULT	32

1. GENERAL INFORMATION

1.1 Product Description for Equipment under Test (EUT)

EUT Name:	GPS Tracker
EUT Model:	GV50
Multiple Model:	GV50N, GV50Plus
Operation Bands and modes:	GSM/GPRS: 850/1900
Modulation Type:	GMSK
Rated Input Voltage:	DC 3.7V from battery or DC 8-32V
Serial Number:	CR22070062-RF-S1
EUT Received Date:	2022.7.30
EUT Received Status:	Good

Accessory Information:

Accessory Description	Manufacturer	Model	Parameters
/	/	/	/

Antenna Information ▲:

Antenna Manufacturer	Antenna Type	input impedance (Ohm)	Antenna Gain /Operation Band
Quealink Wireless Solutions Co.,Ltd	PCB	50	1.78 dBi(PCS1900) -0.32 dBi(GSM 850)

1.2 Description of Test Configuration

1.2.1 EUT Operation Condition:

EUT Operation Mode:	The system was configured for testing in each operation mode: transmitting
Equipment Modifications:	No
EUT Exercise Software:	No
The maximum power was configured per 3GPP Standard for each operation modes as below setting:	
GSM/GPRS/EGPRS	
Function: Menu select > GSM Mobile Station > GSM 850/1900	
Press Connection control to choose the different menus	
Press RESET > choose all the reset all settings	
Connection Press Signal Off to turn off the signal and change settings	
Network Support > GSM + GPRS or GSM + EGSM	
Main Service > Packet Data	
Service selection > Test Mode A – Auto Slot Config. off	
MS Signal Press Slot Config Bottom on the right twice to select and change the number of time slots and power setting	
<ul style="list-style-type: none"> > Slot configuration > Uplink/Gamma > 33 dBm for GPRS 850 > 30 dBm for GPRS 1900 > 27 dBm for EGPRS 850 > 26 dBm for EGPRS 1900 	
BS Signal Enter the same channel number for TCH channel (test channel) and BCCH channel	
Frequency Offset > + 0 Hz	
Mode > BCCH and TCH	
BCCH Level > -85 dBm (May need to adjust if link is not stable)	
BCCH Channel > choose desire test channel [Enter the same channel number for TCH channel (test channel) and BCCH channel]	
Channel Type > Off	
P0 > 4 dB	
Slot Config > Unchanged (if already set under MS signal)	
TCH > choose desired test channel	
Hopping > Off	
Main Timeslot > 3	
Network Coding Scheme > CS4 (GPRS) and MCS5 (EGPRS)	
Bit Stream > 2E9-1 PSR Bit Stream	
AF/RF Enter appropriate offsets for Ext. Att. Output and Ext. Att. Input	
Connection Press Signal on to turn on the signal and change settings	

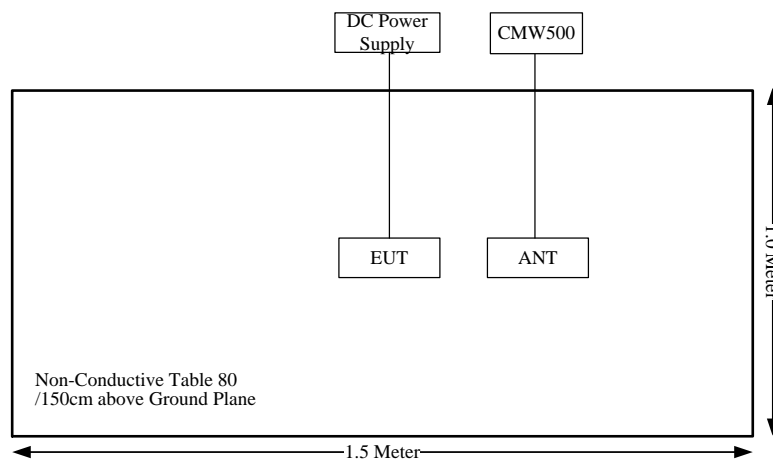
1.2.2 Support Equipment List and Details

Manufacturer	Description	Model	Serial Number
R&S	Wideband Radio Communication Tester	CMW500	149218
Unknown	ANTENNA	Unknown	Unknown
ZHAOXIN	DC Power Supply	RXN-6010D	21R6010D0912386

1.2.3 Support Cable List and Details

Cable Description	Shielding Type	Ferrite Core	Length (m)	From Port	To
/	/	/	/	/	/

1.2.4 Block Diagram of Test Setup



1.3 Measurement Uncertainty

Otherwise required by the applicant or Product Regulations, Decision Rule in this report did not consider the uncertainty. The extended uncertainty given in this report is obtained by combining the standard uncertainty times the coverage factor K with the 95% confidence interval.

Parameter	Measurement Uncertainty
Occupied Channel Bandwidth	±5 %
RF output power, conducted	±0.61dB
Power Spectral Density, conducted	±0.61 dB
Unwanted Emissions, radiated	30M~200MHz: 4.15 dB,200M~1GHz: 5.61 dB,1G~6GHz: 5.14 dB, 6G~18GHz: 5.93 dB,18G~26.5G:5.47 dB,26.5G~40G:5.63 dB
Unwanted Emissions, conducted	±1.26 dB
Temperature	±1 °C
Humidity	±5%
DC and low frequency voltages	±0.4%
Duty Cycle	1%
RF Frequency	±0.082 ×10 ⁻⁶

2. SUMMARY OF TEST RESULTS

Rules	Description of Test	Result
FCC §2.1046; § 22.913 (a); § 24.232 (c);	RF Output Power	Compliant
FCC § 2.1047	Modulation Characteristics	Not Applicable
FCC § 2.1049; § 22.905 § 22.917; § 24.238	Occupied Bandwidth	Compliant
FCC § 2.1051, § 22.917 (a); § 24.238 (a)	Spurious Emissions at Antenna Terminal	Compliant
FCC § 22.917 (a); § 24.238 (a)	Out of band emission, Band Edge	Compliant
FCC § 2.1055 § 22.355; § 24.235	Frequency stability vs. temperature Frequency stability vs. voltage	Compliant
FCC § 2.1053 § 22.917 (a); § 24.238 (a)	Field Strength of Spurious Radiation	Compliant
FCC § 1.1307	RF Exposure Evaluation	Compliant

3. REQUIREMENTS AND TEST PROCEDURES

3.1 Applicable Standard For Part 22 Subpart H:

3.1.1 RF Output Power

FCC §22.913(a)

(5) The ERP of mobile transmitters and auxiliary test transmitters must not exceed 7watts.

3.1.2 Spurious Emissions

FCC §22.917

(a) Out of band emissions. The power of any emission outside of the authorized operating frequency ranges must be attenuated below the transmitting power (P) by a factor of at least $43 + 10 \log(P)$ dB.

(b) Measurement procedure. Compliance with these rules is based on the use of measurement instrumentation employing a reference bandwidth as follows:

(1) In the spectrum below 1 GHz, instrumentation should employ a reference bandwidth of 100 kHz or greater. In the 1 MHz bands immediately outside and adjacent to the frequency block, a resolution bandwidth of at least one percent of the emission bandwidth of the fundamental emission of the transmitter may be employed. A narrower resolution bandwidth is permitted in all cases to improve measurement accuracy, provided that the measured power is integrated over the full required reference bandwidth (i.e., 100 kHz or 1 percent of emission bandwidth, as specified). The emission bandwidth is defined as the width of the signal between two points, one below the carrier center frequency and one above the carrier center frequency, outside of which all emissions are attenuated at least 26 dB below the transmitter power.

(2) In the spectrum above 1 GHz, instrumentation should employ a reference bandwidth of 1 MHz

3.1.3 Frequency stability

FCC §22.355

Except as otherwise provided in this part, the carrier frequency of each transmitter in the Public Mobile Services must be maintained within the tolerances given in Table C-1 of this section.

Table C-1 - Frequency Tolerance for Transmitters in the Public Mobile Services

Frequency range (MHz)	Base, fixed (ppm)	Mobile >3 watts (ppm)	Mobile ≤3 watts (ppm)
25 to 50	20	20	50
50 to 450	5	5	50
450 to 512	2.5	5	5
821 to 896	1.5	2.5	2.5
928 to 929	5	n/a	n/a
929 to 960	1.5	n/a	n/a
2110 to 2220	10	n/a	n/a

3.2 Applicable Standard For Part 24 Subpart E:

3.2.1 RF Output Power

FCC §24.232(c)

Mobile and portable stations are limited to 2 watts EIRP and the equipment must employ a means for limiting power to the minimum necessary for successful communications.

3.2.2 Spurious Emissions

FCC §24.238

The rules in this section govern the spectral characteristics of emissions in the Broadband Personal Communications Service.

(a) Out of band emissions. The power of any emission outside of the authorized operating frequency ranges must be attenuated below the transmitting power (P) by a factor of at least $43 + 10 \log(P)$ dB.

(b) Measurement procedure. Compliance with these rules is based on the use of measurement instrumentation employing a resolution bandwidth of 1 MHz or greater. However, in the 1 MHz bands immediately outside and adjacent to the frequency block a resolution bandwidth of at least one percent of the emission bandwidth of the fundamental emission of the transmitter may be employed. A narrower resolution bandwidth is permitted in all cases to improve measurement accuracy provided the measured power is integrated over the full required measurement bandwidth (i.e. 1 MHz or 1 percent of emission bandwidth, as specified). The emission bandwidth is defined as the width of the signal between two points, one below the carrier center frequency and one above the carrier center frequency, outside of which all emissions are attenuated at least 26 dB below the transmitter power.

(c) Alternative out of band emission limit. Licensees in this service may establish an alternative out of band emission limit to be used at specified band edge(s) in specified geographical areas, in lieu of that set forth in this section, pursuant to a private contractual arrangement of all affected licensees and applicants. In this event, each party to such contract shall maintain a copy of the contract in their station files and disclose it to prospective assignees or transferees and, upon request, to the FCC.

(d) Interference caused by out of band emissions. If any emission from a transmitter operating in this service results in interference to users of another radio service, the FCC may require a greater attenuation of that emission than specified in this section.

3.2.3 Frequency stability

FCC §24.235

The frequency stability shall be sufficient to ensure that the fundamental emission stays within the authorized frequency block.

3.3 Test Method:

3.3.1 RF Output Power

According to CFR Part 2.1046, ANSI C63.26-2015 Section 5.2.5.5 and KDB 971168 D01 Power Meas License Digital Systems v03r01:

The relevant equation for determining the ERP or EIRP from the conducted RF output power measured using the guidance provided above is:

$$\text{ERP or EIRP} = P_{\text{Meas}} + G_T - L_C$$

where:

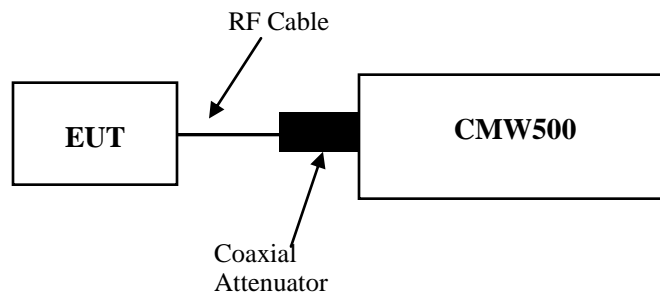
ERP or EIRP = effective radiated power or equivalent isotropically radiated power, respectively (expressed in the same units as P_{Meas} , typically dBW or dBm);

P_{Meas} = measured transmitter output power or PSD, in dBm or dBW;

G_T = gain of the transmitting antenna, in dBd (ERP) or dBi (EIRP);

L_C = signal attenuation in the connecting cable between the transmitter and antenna, in dB.

Test Setup Block:



Note: The Insertion loss of the RF cable and Coaxial Attenuator was offset into the Reading of CMW500.

3.3.2 Occupied Bandwidth

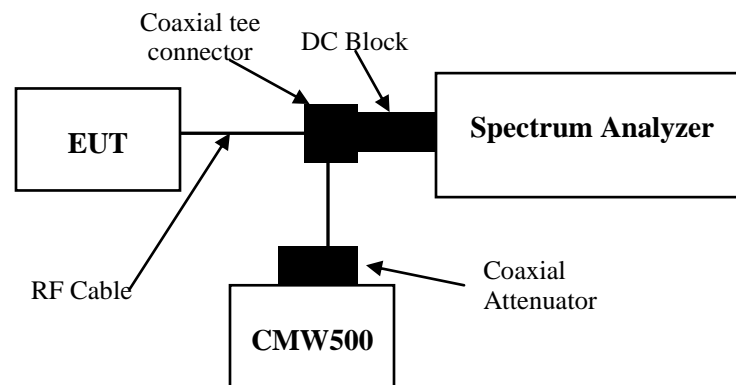
According to CFR Part 2.1049, ANSI C63.26-2015 Section 5.4.4

The OBW is the frequency bandwidth such that, below its lower and above its upper frequency limits, the mean powers are each equal to 0.5% of the total mean power of the given emission.

The following procedure shall be used for measuring (99%) power bandwidth:

- a) The spectrum analyzer center frequency is set to the nominal EUT channel center frequency. The frequency span for the spectrum analyzer shall be set wide enough to capture all modulation products including the emission skirts (typically a span of $1.5 \times \text{OBW}$ is sufficient).
- b) The nominal IF filter 3 dB bandwidth (RBW) shall be in the range of 1% to 5% of the anticipated OBW, and the VBW shall be set $\geq 3 \times \text{RBW}$.
- c) Set the reference level of the instrument as required to prevent the signal amplitude from exceeding the maximum spectrum analyzer input mixer level for linear operation. See guidance provided in 4.2.3.
NOTE—Step a), step b), and step c) may require iteration to adjust within the specified tolerances.
- d) Set the detection mode to peak, and the trace mode to max-hold.
- e) If the instrument does not have a 99% OBW function, recover the trace data points and sum directly in linear power terms. Place the recovered amplitude data points, beginning at the lowest frequency, in a running sum until 0.5% of the total is reached. Record that frequency as the lower OBW frequency. Repeat the process until 99.5% of the total is reached and record that frequency as the upper OBW frequency. The 99% power OBW can be determined by computing the difference these two frequencies.
- f) The OBW shall be reported and plot(s) of the measuring instrument display shall be provided with the test report. The frequency and amplitude axis and scale shall be clearly labeled. Tabular data can be reported in addition to the plot(s).

Test Setup Block:



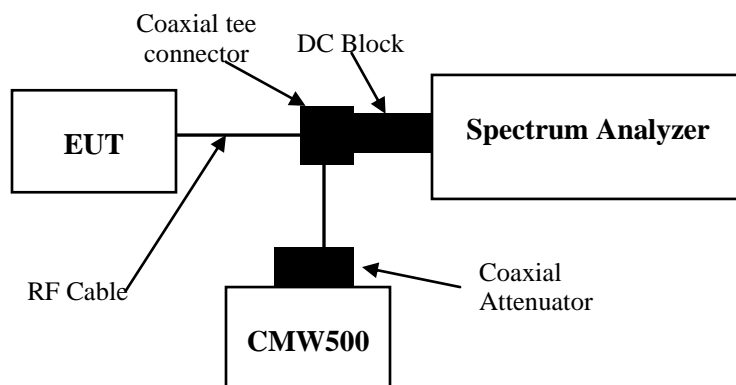
Note: 4.5dB is the Insertion loss of the RF cable, Coaxial tee connector and DC Block, which was offset into the Spectrum Analyzer.

3.3.3 Spurious emissions at antenna terminals

According to CFR Part 2.1051, 22.917(a), 24.238(a) and/or 27.53, 90, ANSI C63.26-2015 Section 5.7.4, KDB 971168 D01 Power Meas License Digital Systems v03r01:

the applicable rule part specifies the reference bandwidth for measuring unwanted emission levels (typically, 100 kHz if the authorized frequency band/block is at or below 1 GHz and 1 MHz if the authorized frequency band/block is above 1 GHz),8 effectively depicting the unwanted emission limit in terms of a power spectral density. In those cases where no reference bandwidth is explicitly specified, the values in the preceding sentence should be used.

Test Setup Block:



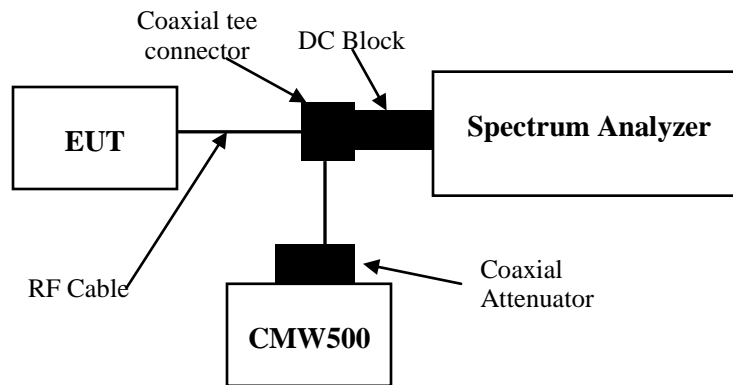
Note: 4.5dB is the Insertion loss of the RF cable, Coaxial tee connector and DC Block, which was offset into the Spectrum Analyzer.

3.3.4 Out of band emission

According to CFR Part 2.1051, 22.917(a), 24.238(a), 27.53,90, ANSI C63.26-2015 Section 5.7.3, KDB 971168 D01 Power Meas License Digital Systems v03r01:

Typically, a measurement (resolution) bandwidth smaller than the reference bandwidth is allowed for measurements within a specified frequency range at the edge of the authorized frequency block/band (e.g., within the first Y MHz outside of the authorized frequency band/block, where the value of Y is specified in the relevant rule part). Some FCC out-of-band emission rules permit the use of a narrower RBW (typically limited to a minimum RBW of 1 % of the OBW) for measuring the out-of-band emissions without a requirement to integrate the result over the full reference bandwidth. Beyond the specified frequency range in which this relaxation of the uniform reference bandwidth is permitted, it typically is also acceptable to use a narrower RBW (again limited to a minimum of 1 % of OBW) to increase accuracy, but the measurement result must subsequently be integrated over the full reference bandwidth.

Test Setup Block:



Note: The 4.5dB is the Insertion loss of the RF cable, Coaxial tee connector and DC Block, which was offset into the Spectrum Analyzer.

3.3.5 Frequency stability

According to CFR Part 2.1055, ANSI C63.26-2015 Section 5.6, KDB 971168 D01 Power Meas License Digital Systems v03r01:

Frequency stability is a measure of the frequency drift due to temperature and supply voltage variations, with reference to the frequency measured at +20 °C and rated supply voltage.

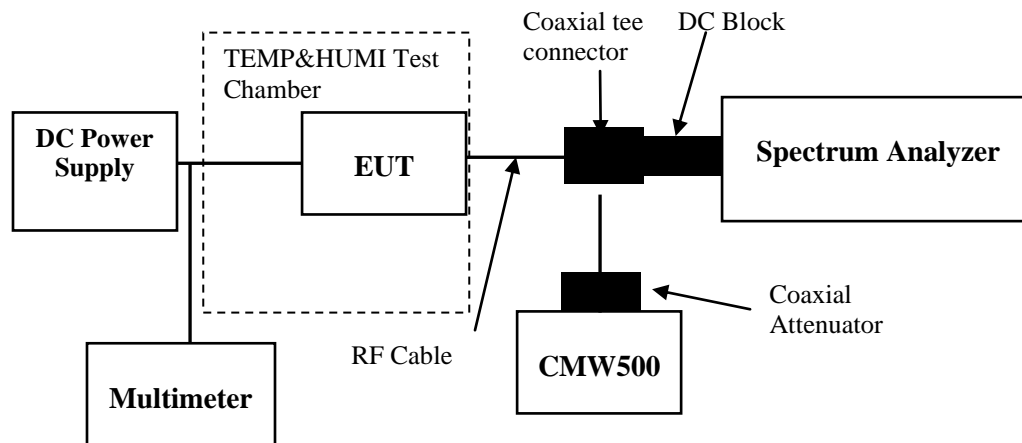
The operating carrier frequency shall be set up in accordance with the manufacturer's published operation and instruction manual prior to the commencement of these tests. No adjustment of any frequency determining circuit element shall be made subsequent to this initial set-up. Frequency stability is tested:

- a) At 10 °C intervals of temperatures between -30 °C and +50 °C at the manufacturer's rated supply voltage, and
- b) At +20 °C temperature and $\pm 15\%$ supply voltage variations. If a product is specified to operate over a range of input voltage then the -15% variation is applied to the lowermost voltage and the +15% is applied to the uppermost voltage.

During the test all necessary settings, adjustments and control of the EUT have to be performed without disturbing the test environment, i.e., without opening the environmental chamber. The frequency stabilities can be maintained to a lesser temperature range provided that the transmitter is automatically inhibited from operating outside the lesser temperature range. For handheld equipment that is only capable of operating from internal batteries and the supply voltage cannot be varied, the frequency stability tests shall be performed at the nominal battery voltage and the battery end point voltage specified by the manufacturer. An external supply voltage can be used and set at the internal battery nominal voltage, and again at the battery operating end point voltage which shall be specified by the equipment manufacturer.

If an unmodulated carrier is not available, the mean frequency of a modulated carrier can be obtained by using a frequency counter with gating time set to an appropriately large multiple of bit periods (gating time depending on the required accuracy). Full details on the choice of values shall be included in the test report.

Test Setup Block:



3.3.6 Field strength of spurious radiation

According to CFR Part 2.1053, 22.917(a), 24.238(a), ANSI C63.26-2015 Section 5.5.3:

Test setup:

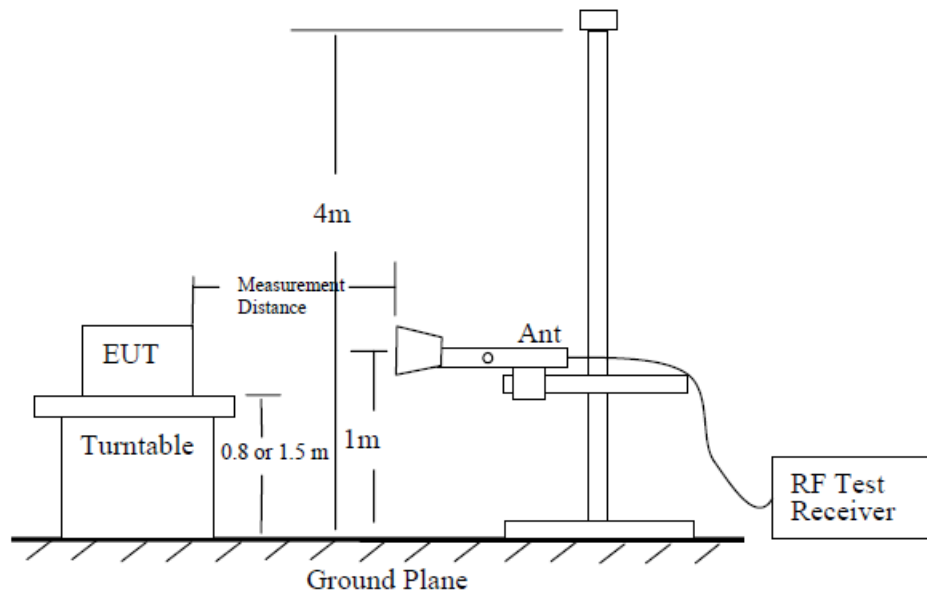


Figure 6—Test site-up for radiated ERP and/or EIRP measurements

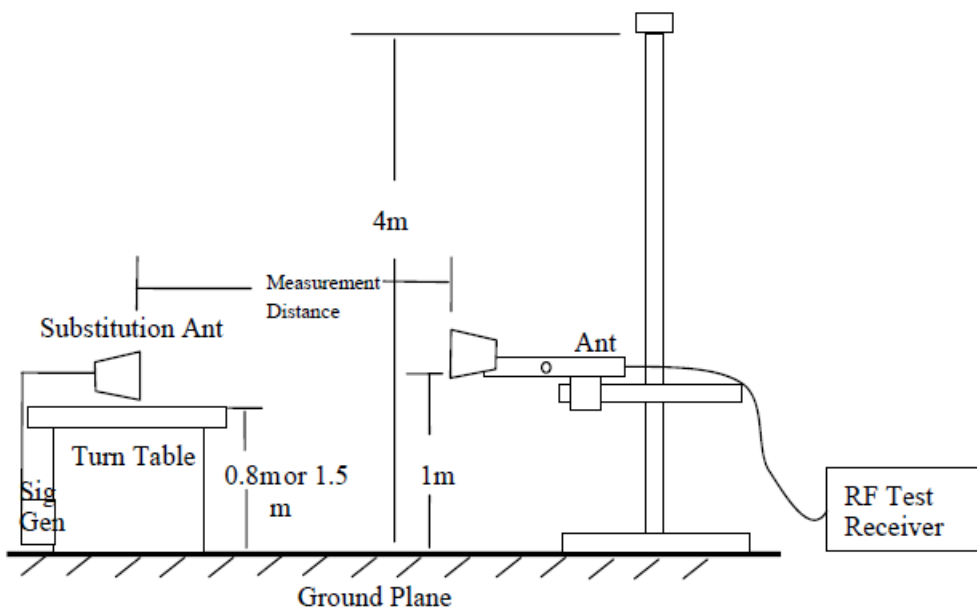


Figure 7—Substitution method set-up for radiated emission

Test Procedure:

- a) Place the EUT in the center of the turntable. The EUT shall be configured to transmit into the standard non-radiating load (for measuring radiated spurious emissions), connected with cables of minimal length unless specified otherwise. If the EUT uses an adjustable antenna, the antenna shall be positioned to the length that produces the worst case emission at the fundamental operating frequency.
- b) Each emission under consideration shall be evaluated:
 - 1) Raise and lower the measurement antenna in accordance 5.5.2, as necessary to enable detection of the maximum emission amplitude relative to measurement antenna height.
 - 2) Rotate the EUT through 360° to determine the maximum emission level relative to the axial position.
 - 3) Return the turntable to the azimuth where the highest emission amplitude level was observed.
 - 4) Vary the measurement antenna height again through 1 m to 4 m again to find the height associated with the maximum emission amplitude.
 - 5) Record the measured emission amplitude level and frequency using the appropriate RBW.
- c) Repeat step b) for each emission frequency with the measurement antenna oriented in both the horizontal and vertical polarizations to determine the orientation that gives the maximum emissions amplitude.
- d) Set-up the substitution measurement with the reference point of the substitution antenna located as near as possible to where the center of the EUT radiating element was located during the initial EUT measurement.
- e) Maintain the previous measurement instrument settings and test set-up, with the exception that the EUT is removed and replaced by the substitution antenna.
- f) Connect a signal generator to the substitution antenna; locate the signal generator so as to minimize any potential influences on the measurement results. Set the signal generator to the frequency where emissions are detected, and set an output power level such that the radiated signal can be detected by the measurement instrument, with sufficient dynamic range relative to the noise floor.
- g) For each emission that was detected and measured in the initial test [i.e., in step b) and step c)]:
 - 1) Vary the measurement antenna height between 1 m to 4 m to maximize the received (measured) signal amplitude.
 - 2) Adjust the signal generator output power level until the amplitude detected by the measurement instrument equals the amplitude level of the emission previously measured directly in step b) and step c).
 - 3) Record the output power level of the signal generator when equivalence is achieved in step 2).
- h) Repeat step e) through step g) with the measurement antenna oriented in the opposite polarization.
- i) Calculate the emission power in dBm referenced to a half-wave dipole using the following equation:
$$P_e = P_s(\text{dBm}) - \text{cable loss (dB)} + \text{antenna gain (dBd)}$$
where
 - P_e = equivalent emission power in dBm
 - P_s = source (signal generator) power in dBmNOTE—dBd refers to the measured antenna gain in decibels relative to a half-wave dipole.
- j) Correct the antenna gain of the substitution antenna if necessary to reference the emission power to a half-wave dipole. When using measurement antennas with the gain specified in dBi, the equivalent dipole-referenced gain can be determined from: $\text{gain (dBd)} = \text{gain (dBi)} - 2.15 \text{ dB}$. If necessary, the antenna gain can be calculated from calibrated antenna factor information
- k) Provide the complete measurement results as a part of the test report.

4. Test DATA AND RESULTS

4.1 Antenna Port Test Data and Results for GSM 850 band:

Serial Number:	CR22070062-RF-S1	Test Date:	2022-08-11
Test Site:	RF	Test Mode:	Transmitting
Tester:	Rinka Li	Test Result:	Pass

Environmental Conditions:

Temperature: (°C)	27.3	Relative Humidity: (%)	48	ATM Pressure: (kPa)	100.5
----------------------	------	---------------------------	----	------------------------	-------

Test Equipment List and Details:

Manufacturer	Description	Model	Serial Number	Calibration Date	Calibration Due Date
R&S	Spectrum Analyzer	FSV40	101474	2022-07-15	2023-07-14
zhuoxiang	Coaxial Cable	SMA-178	211002	Each time	N/A
YINSAIGE	Coaxial Cable	SS402	SJ0100004	Each time	N/A
Mini-Circuits	DC Block	BLK-18-S+	1554404	2022-08-07	2023-08-06
R&S	Wideband Radio Communication Tester	CMW500	149218	2022-07-15	2023-07-21
UNI-T	Multimeter	UT39A+	C210582554	2021-09-30	2022-09-29
ZHAOXIN	DC Power Supply	RXN-6010D	21R6010D0912386	N/A	N/A
Unknown	Coaxial tee connector	Unknown	2204006	Each time	N/A

* Statement of Traceability: China Certification ICT Co., Ltd (Dongguan) attests that all calibrations have been performed, traceable to National Primary Standards and International System of Units (SI).

EUT Information@ GSM 850 Band▲:

Antenna Gain (dBi):	-0.32	Antenna Gain (dBd):	-2.47	Path Loss LC (dB):	0
Operation Voltage(V _{DC}):					
Lowest:	3.2	Normal:	3.7	Highest:	4.3

Test Frequency For Each Mode:

Operation Modes	Lowest Frequency (MHz)	Middle Frequency (MHz)	Highest Frequency (MHz)
GPRS	824.2	836.6	848.8

Test Data:**FCC §2.1046; § 22.913 (a):RF Output Power**

Test Mode	Conducted Peak Output Power(dBm)			Maximum ERP (dBm)	ERP Limit (dBm)
	Lowest Channel	Middle Channel	Highest Channel		
GPRS 1 Slot	34.24	34.32	34.14	31.85	38.45
GPRS 2 Slots	32.17	32.26	32.27	29.80	38.45
GPRS 3 Slots	30.48	30.34	30.41	28.01	38.45
GPRS 4 Slots	28.65	28.28	28.46	26.18	38.45
Note: ERP=Conducted Power(dBm) - Cable loss(dB) + Antenna Gain(dBd)					
				Result:	Pass

FCC §2.1049, §22.917, §22.905:Occupied Bandwidth

Operation Mode	99% Occupied Bandwidth (MHz)			26 dB Occupied Bandwidth (MHz)		
	Low Channel	Middle channel	High Channel	Low Channel	Middle Channel	High Channel
GSM	0.246	0.243	0.245	0.317	0.316	0.318
Note: The test plots please refer to the Plots of Occupied Bandwidth						

FCC §2.1051, §22.917(a):Spurious Emissions at Antenna Terminal

Result:	Pass, Please refer to the test plots of Spurious Emissions at Antenna Terminal.
----------------	--

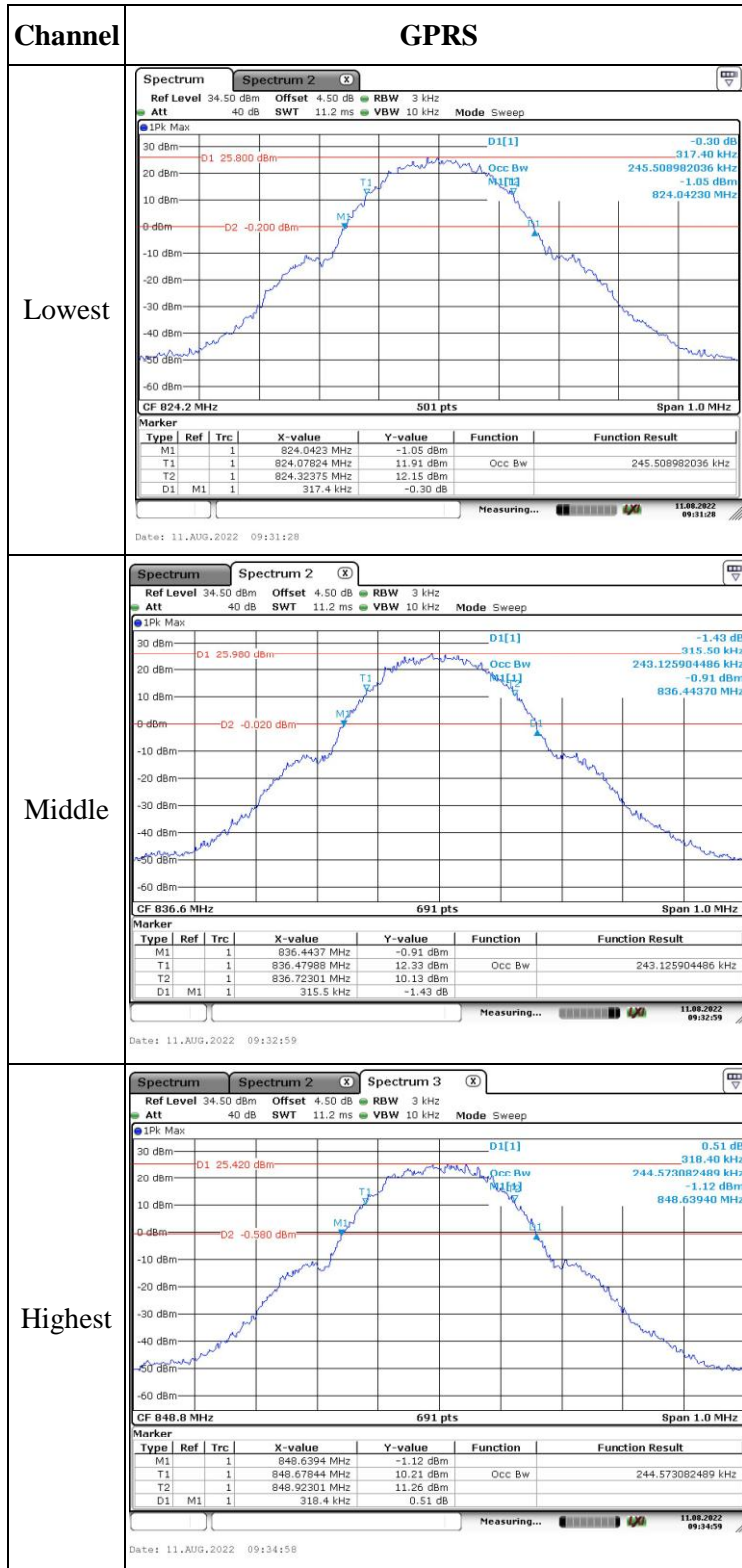
FCC §2.1051, §22.917(a):Out of band emission, Band Edge

Result:	Pass, Please refer to the test plots of Out of band emission, Band Edge.
----------------	---

FCC §2.1055, §22.355: Frequency Stability

Test Modulation:	GMSK		Test Channel:	836.6	MHz
Test Item	Temperature (°C)	Voltage (Vdc)	Frequency Error		Limit
			(Hz)	(ppm)	(ppm)
Frequency Stability vs. Temperature	-30	3.7	9	0.011	2.5
	-20	3.7	52	0.062	2.5
	-10	3.7	42	0.050	2.5
	0	3.7	1	0.001	2.5
	10	3.7	-8	-0.010	2.5
	20	3.7	12	0.014	2.5
	30	3.7	-7	-0.008	2.5
	40	3.7	24	0.029	2.5
Frequency Stability vs. Voltage	20	3.2	31	0.037	2.5
	20	4.3	11	0.013	2.5
				Result:	Pass

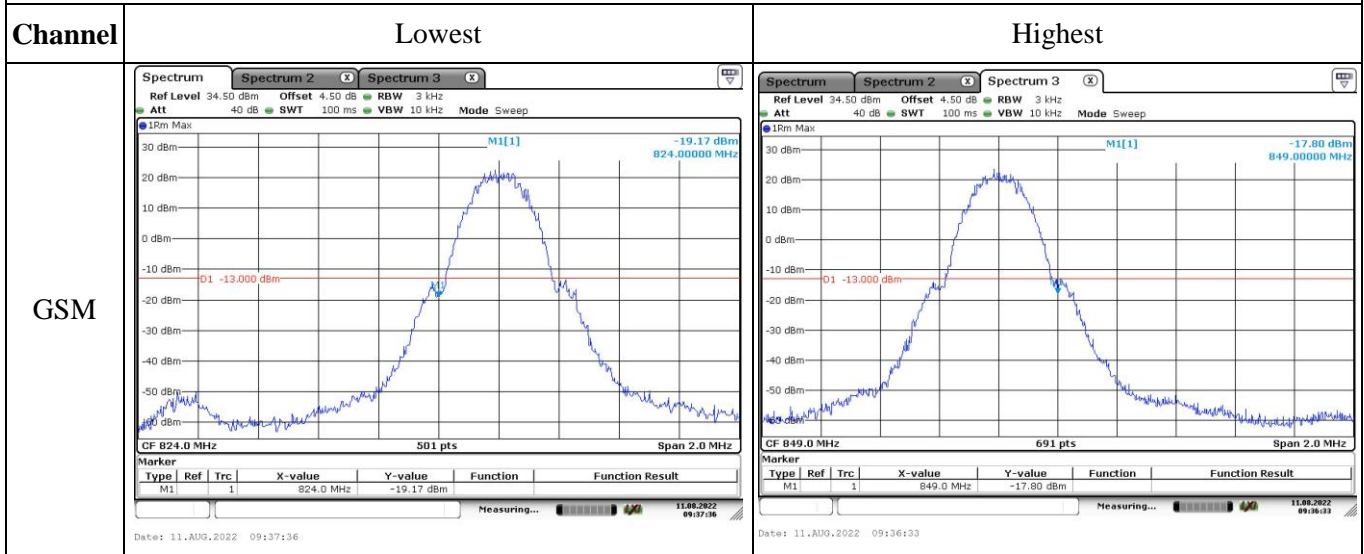
Test Plots:



Spurious Emissions at Antenna Terminal

Channel	GSM	
Lowest		
Middle		
Highest		

Out of band emission, Band Edge



4.2 Antenna Port Test Data and Results for GSM 1900 band:

Serial Number:	CR22070062-RF-S1	Test Date:	2022-08-11
Test Site:	RF	Test Mode:	Transmitting
Tester:	Rinka Li	Test Result:	Pass

Environmental Conditions:

Temperature: (°C)	27.3	Relative Humidity: (%)	48	ATM Pressure: (kPa)	100.5
----------------------	------	---------------------------	----	------------------------	-------

Test Equipment List and Details:

Manufacturer	Description	Model	Serial Number	Calibration Date	Calibration Due Date
R&S	Spectrum Analyzer	FSV40	101474	2022-07-15	2023-07-14
zhuoxiang	Coaxial Cable	SMA-178	211002	Each time	N/A
YINSAIGE	Coaxial Cable	SS402	SJ0100004	Each time	N/A
Mini-Circuits	DC Block	BLK-18-S+	1554404	2022-08-07	2023-08-06
R&S	Wideband Radio Communication Tester	CMW500	149218	2022-07-15	2023-07-21
UNI-T	Multimeter	UT39A+	C210582554	2021-09-30	2022-09-29
ZHAOXIN	DC Power Supply	RXN-6010D	21R6010D0912386	N/A	N/A
Unknown	Coaxial tee connector	Unknown	2204006	Each time	N/A

* Statement of Traceability: China Certification ICT Co., Ltd (Dongguan) attests that all calibrations have been performed, traceable to National Primary Standards and International System of Units (SI).

EUT Information@PCS1900 Band▲:

Antenna Gain (dBi):	1.78	Path Loss LC (dB):	0
Operation Voltage(V _{DC}):			
Lowest:	3.2	Normal:	3.7
		Highest:	4.3

Test Frequency For Each Mode:

Operation Modes	Lowest Frequency (MHz)	Middle Frequency (MHz)	Highest Frequency (MHz)
GSM	1850.2	1880	1909.8
GPRS	1850.2	1880	1909.8
EDGE	1850.2	1880	1909.8

Test Data:

FCC §2.1046; § 24.232 (c):RF Output Power					
Test Mode	Conducted Peak Output Power(dBm)			Maximum EIRP (dBm)	EIRP Limit (dBm)
	Lowest Channel	Middle Channel	Highest Channel		
GPRS 1 Slot	29.16	29.23	29.33	31.11	33
GPRS 2 Slots	27.4	27.51	27.54	29.32	33
GPRS 3 Slots	25.38	25.47	25.48	27.26	33
GPRS 4 Slots	23.46	23.39	23.56	25.34	33
Note: EIRP=Conducted Power(dBm) - Cable loss(dB) + Antenna Gain(dBi)					
				Result:	Pass

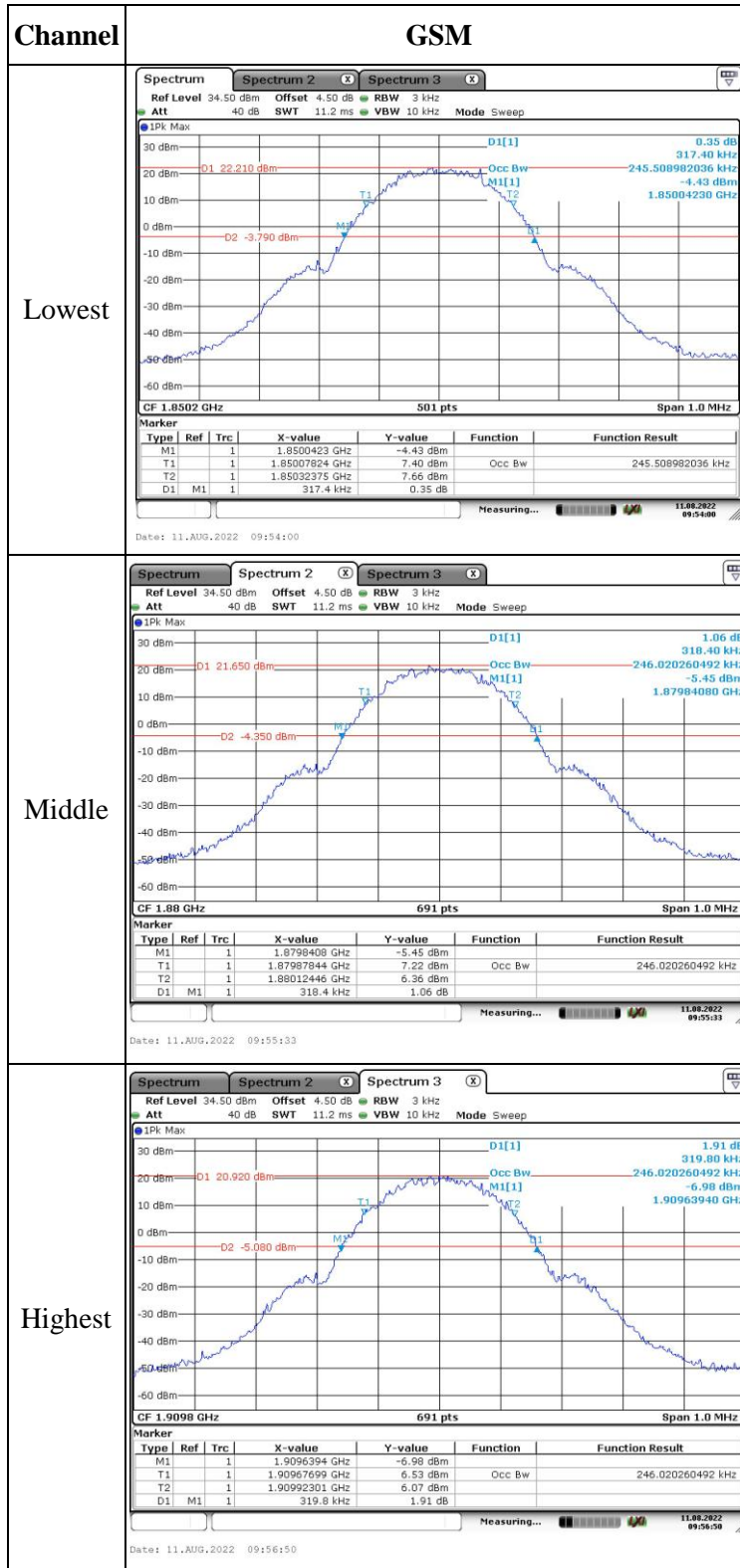
FCC §2.1049, §24.238:Occupied Bandwidth						
Operation Mode	99% Occupied Bandwidth (MHz)			26 dB Occupied Bandwidth (MHz)		
	Low Channel	Middle channel	High Channel	Low Channel	Middle Channel	High Channel
GSM	0.246	0.246	0.246	0.317	0.318	0.32
Note: The test plots please refer to the Plots of Occupied Bandwidth						

FCC §2.1051, § 24.238 (a):Spurious Emissions at Antenna Terminal	
Result:	Pass, Please refer to the test plots of Spurious Emissions at Antenna Terminal.

FCC §2.1051, § 24.238 (a):Out of band emission, Band Edge	
Result:	Pass, Please refer to the test plots of Out of band emission, Band Edge.

FCC §2.1055, §24.235: Frequency Stability					
Test Modulation:	GMSK		Test Channel:	1880	MHz
Test Item	Temperature (°C)	Voltage (V _{DC})	Frequency Error		Result
			(Hz)	(ppm)	
Frequency Stability vs. Temperature	-30	3.7	5	0.003	Pass
	-20	3.7	-7	-0.004	Pass
	-10	3.7	12	0.006	Pass
	0	3.7	3	0.002	Pass
	10	3.7	5	0.003	Pass
	20	3.7	11	0.006	Pass
	30	3.7	-3	-0.002	Pass
	40	3.7	24	0.013	Pass
Frequency Stability vs. Voltage	50	3.7	15	0.008	Pass
	20	3.2	-9	-0.005	Pass
	20	4.3	22	0.012	Pass
				Result:	Pass

Test Plots:

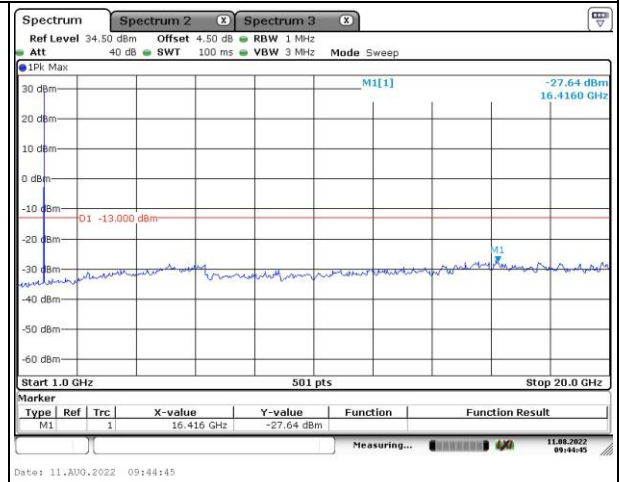
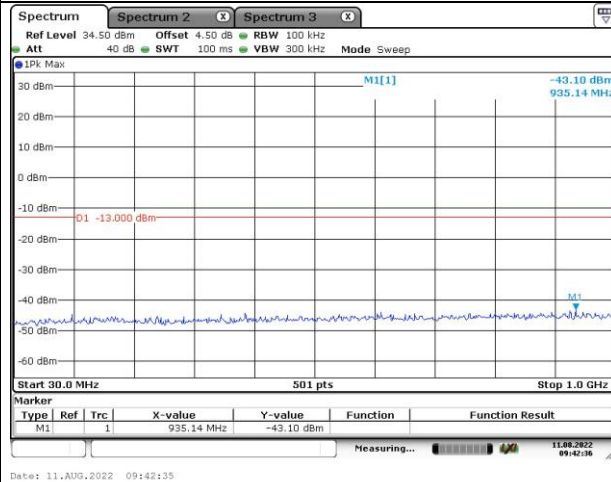


Spurious Emissions at Antenna Terminal

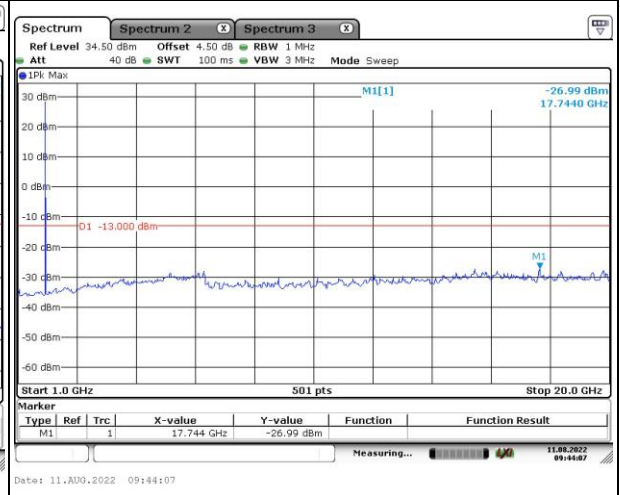
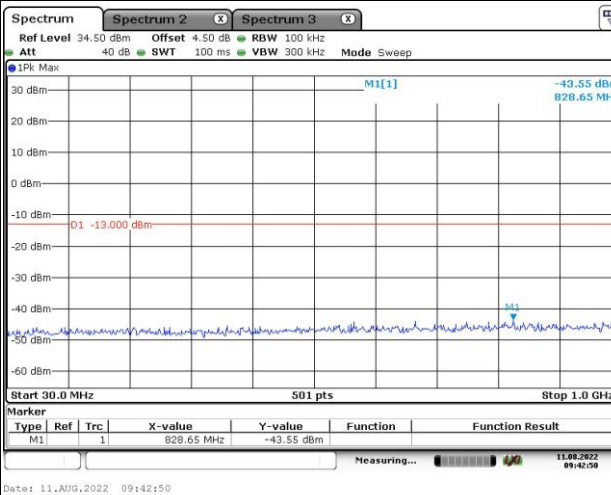
Channel

GSM

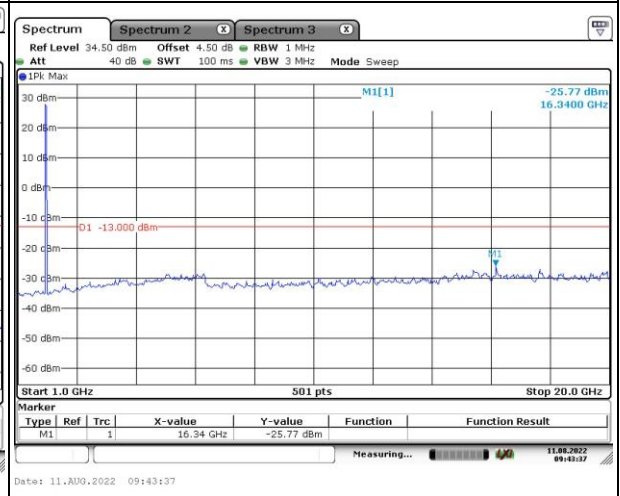
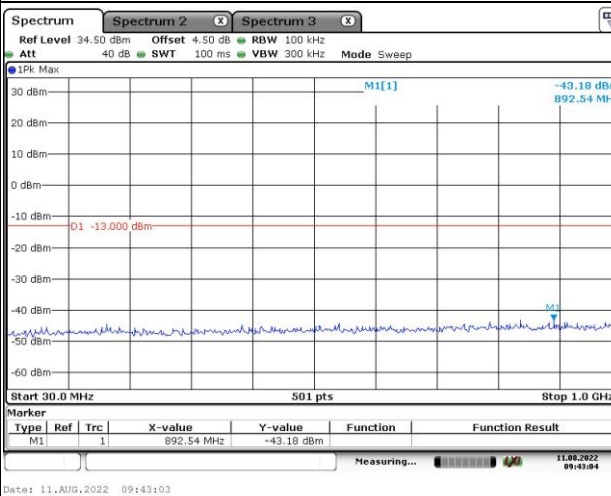
Lowest



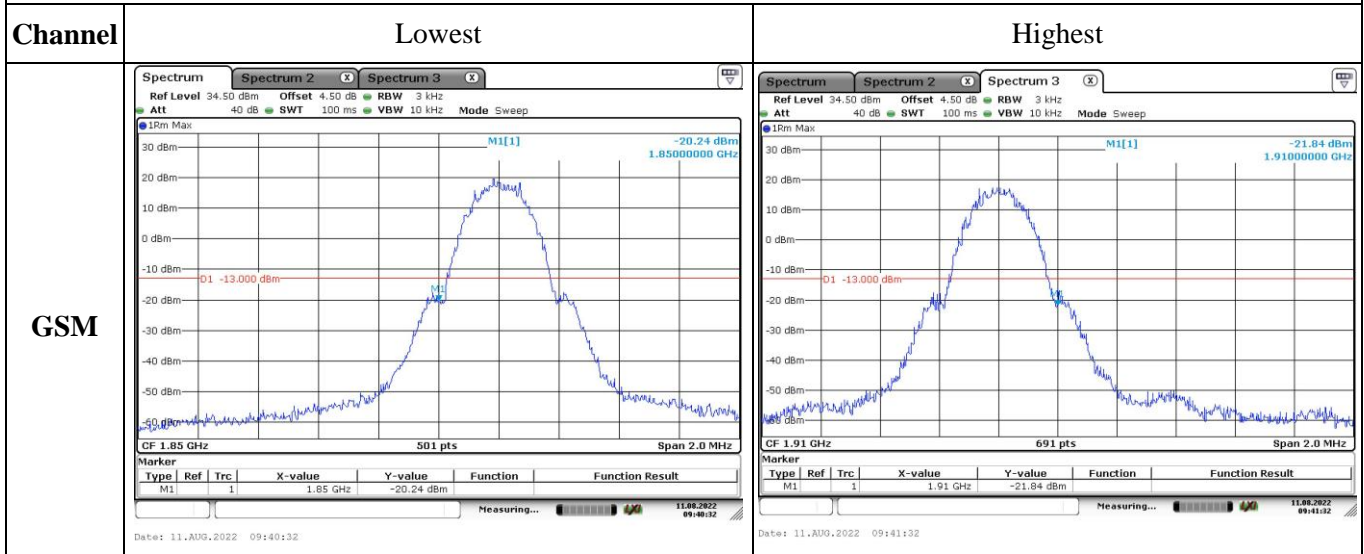
Middle



Highest



Out of band emission, Band Edge



4.3 Spurious Emissions

Serial Number:	CR22070062-RF-S1	Test Date:	2022.8.17
Test Site:	966-2, 966-1	Test Mode:	GV50N,GV50Plus
Tester:	Carl Xue,	Test Result:	Pass

Environmental Conditions:

Temperature: (°C)	28.2	Relative Humidity: (%)	55	ATM Pressure: (kPa)	100
----------------------	------	---------------------------	----	------------------------	-----

Test Equipment List and Details:

Manufacturer	Description	Model	Serial Number	Calibration Date	Calibration Due Date
Sunol Sciences	Antenna	JB6	A082520-5	2020-10-19	2023-10-18
R&S	EMI Test Receiver	ESR3	102724	2022-07-15	2023-07-14
TIMES MICROWAVE	Coaxial Cable	LMR-600-UltraFlex	C-0470-02	2022-07-17	2023-07-16
TIMES MICROWAVE	Coaxial Cable	LMR-600-UltraFlex	C-0780-01	2022-07-17	2023-07-16
Sonoma	Amplifier	310N	186165	2022-07-17	2023-07-16
EMCO	Adjustable Dipole Antenna	3121C	9109-756	N/A	N/A
ETS-Lindgren	Horn Antenna	3115	9912-5985	2020-10-13	2023-10-12
R&S	Spectrum Analyzer	FSV40	101591	2022-07-15	2023-07-14
MICRO-COAX	Coaxial Cable	UFA210A-1-1200-70U300	217423-008	2022-08-07	2023-08-06
MICRO-COAX	Coaxial Cable	UFA210A-1-2362-300300	235780-001	2022-08-07	2023-08-06
Mini	Pre-amplifier	ZVA-183-S+	5969001149	2021-11-10	2022-11-09
AH	Double Ridge Guide Horn Antenna	SAS-571	1396	2021-10-18	2024-10-17
MICRO-COAX	Coaxial Cable	UFA210B-0-0720-300300	99G1448	2022-07-17	2023-07-16
Agilent	Signal Generator	E8247C	MY43321352	2022-04-01	2023-03-31
PASTERNAK	Horn Antenna	PE9852/2F-20	112002	2021-02-05	2024-02-04
AH	Preamplifier	PAM-1840VH	190	2021-11-19	2022-11-18
PASTERNAK	Horn Antenna	PE9852/2F-20	112001	2021-02-05	2024-02-04
MICRO-COAX	Coaxial Cable	UFB142A-1-2362-200200	235772-001	2022-08-07	2023-08-06

* Statement of Traceability: China Certification ICT Co., Ltd (Dongguan) attests that all calibrations have been performed, traceable to National Primary Standards and International System of Units (SI).

Test Data:

Please refer to the below table and plots.

Note: The device can be mounted in multiple orientations, test was performed with X,Y, Z Axis according to C63.26 figure 5, the worst orientation was photographed and it's data was recorded.

Cellular Band (PART 22H)**30 MHz-10 GHz:**

Frequency (MHz)	Polar (H/V)	Receiver Reading (dB μ V)	Substituted Method			Absolute Level (dBm)	Limit (dBm)	Margin (dB)
			Substituted Level (dBm)	Antenna Gain (dBd/dBi)	Cable Loss (dB)			
GSM 850 Frequency:824.2MHz								
1648.40	H	59.30	-45.03	8.68	0.80	-37.15	-13.00	24.15
1648.40	V	51.26	-53.15	8.68	0.80	-45.27	-13.00	32.27
2472.60	H	40.98	-59.80	9.38	1.00	-51.42	-13.00	38.42
2472.60	V	39.75	-60.98	9.38	1.00	-52.60	-13.00	39.60
3296.80	H	36.36	-60.32	10.32	1.15	-51.15	-13.00	38.15
3296.80	V	36.07	-60.37	10.32	1.15	-51.20	-13.00	38.20
249.38	H	43.82	-68.09	0.00	0.30	-68.39	-13.00	55.39
350.10	V	41.43	-66.08	0.00	0.36	-66.44	-13.00	53.44
GSM 850 Frequency:836.6MHz								
1673.20	H	60.52	-43.79	8.71	0.85	-35.93	-13.00	22.93
1673.20	V	52.48	-51.93	8.71	0.85	-44.07	-13.00	31.07
2509.80	H	41.55	-59.06	9.42	1.01	-50.65	-13.00	37.65
2509.80	V	40.36	-60.26	9.42	1.01	-51.85	-13.00	38.85
3346.40	H	37.85	-59.32	10.34	1.16	-50.14	-13.00	37.14
3346.40	V	37.61	-59.42	10.34	1.16	-50.24	-13.00	37.24
249.02	H	43.66	-68.26	0.00	0.30	-68.56	-13.00	55.56
350.29	V	41.67	-65.83	0.00	0.36	-66.19	-13.00	53.19
GSM 850 Frequency:848.8MHz								
1697.60	H	60.78	-43.51	8.74	0.90	-35.67	-13.00	22.67
1697.60	V	52.79	-51.63	8.74	0.90	-43.79	-13.00	30.79
2546.40	H	40.80	-59.53	9.47	1.01	-51.07	-13.00	38.07
2546.40	V	39.49	-60.79	9.47	1.01	-52.33	-13.00	39.33
3395.20	H	38.53	-59.16	10.36	1.19	-49.99	-13.00	36.99
3395.20	V	38.35	-59.31	10.36	1.19	-50.14	-13.00	37.14
249.51	H	43.42	-68.49	0.00	0.30	-68.79	-13.00	55.79
350.83	V	41.44	-66.05	0.00	0.36	-66.41	-13.00	53.41

PCS Band (PART 24E)

30 MHz-20 GHz:

Frequency (MHz)	Polar (H/V)	Receiver Reading (dB μ V)	Substituted Method			Absolute Level (dBm)	Limit (dBm)	Margin (dB)
			Substituted Level (dBm)	Antenna Gain (dBd/dBi)	Cable Loss (dB)			
GSM 1900 Frequency:1850.2MHz								
3700.40	H	43.52	-53.80	10.60	1.25	-44.45	-13.00	31.45
3700.40	V	41.47	-55.83	10.60	1.25	-46.48	-13.00	33.48
5550.60	H	38.98	-54.28	11.44	1.49	-44.33	-13.00	31.33
5550.60	V	38.53	-54.57	11.44	1.49	-44.62	-13.00	31.62
249.22	H	41.99	-69.93	0.00	0.30	-70.23	-13.00	57.23
274.44	V	42.89	-67.02	0.00	0.32	-67.34	-13.00	54.34
GSM 1900 Frequency:1880MHz								
3760.00	H	43.01	-53.40	10.66	1.24	-43.98	-13.00	30.98
3760.00	V	40.97	-55.32	10.66	1.24	-45.90	-13.00	32.90
5640.00	H	39.61	-53.84	11.33	1.54	-44.05	-13.00	31.05
5640.00	V	39.17	-54.16	11.33	1.54	-44.37	-13.00	31.37
249.36	H	42.34	-69.57	0.00	0.30	-69.87	-13.00	56.87
274.67	V	43.05	-66.85	0.00	0.32	-67.17	-13.00	54.17
GSM 1900 Frequency:1909.8MHz								
3819.60	H	42.71	-53.15	10.72	1.29	-43.72	-13.00	30.72
3819.60	V	40.70	-55.02	10.72	1.29	-45.59	-13.00	32.59
5729.40	H	39.72	-53.76	11.22	1.59	-44.13	-13.00	31.13
5729.40	V	39.25	-54.11	11.22	1.59	-44.48	-13.00	31.48
249.86	H	42.19	-69.71	0.00	0.30	-70.01	-13.00	57.01
274.36	V	42.78	-67.14	0.00	0.32	-67.46	-13.00	54.46

Note:

- 1) The unit of Antenna Gain is dBd for frequency below 1GHz, and the unit of Antenna Gain is dBi for frequency above 1GHz.
- 2) Absolute Level = Substituted Level - Cable loss + Antenna Gain
- 3) Margin = Limit-Absolute Level

5. RF EXPOSURE EVALUATION

5.1 Applicable Standard

According to §1.1307(b)(3)(i)

(B) Or the available maximum time-averaged power or effective radiated power (ERP), whichever is greater, is less than or equal to the threshold P_{th} (mW) described in the following formula. This method shall only be used at separation distances (cm) from 0.5 centimeters to 40 centimeters and at frequencies from 0.3 GHz to 6 GHz (inclusive). P_{th} is given by:

$$P_{th} \text{ (mW)} = \begin{cases} ERP_{20 \text{ cm}} (d/20 \text{ cm})^x & d \leq 20 \text{ cm} \\ ERP_{20 \text{ cm}} & 20 \text{ cm} < d \leq 40 \text{ cm} \end{cases}$$

Where

$$x = -\log_{10} \left(\frac{60}{ERP_{20 \text{ cm}} \sqrt{f}} \right) \text{ and } f \text{ is in GHz;}$$

and

$$ERP_{20 \text{ cm}} \text{ (mW)} = \begin{cases} 2040f & 0.3 \text{ GHz} \leq f < 1.5 \text{ GHz} \\ 3060 & 1.5 \text{ GHz} \leq f \leq 6 \text{ GHz} \end{cases}$$

d = the separation distance (cm);

5.2 Measurement Result

Radio Mode	Maximum Conducted Power including Tune-up Tolerance (dBm)	Maximum Conducted Time-averaged including Tune-up Tolerance Power (dBm)
GSM850 1 Slot	35	25.97
GSM850 2 Slot	33	26.98
GSM850 3 Slot	31	26.74
GSM850 4 Slot	29	25.99
GSM1900 1 Slot	30	20.97
GSM1900 2 Slot	28	21.98
GSM1900 3 Slot	26	21.74
GSM1900 4 Slot	24	20.99

Note:

To average-time power, the division factor is as follows:

1TX-slot = 1 transmit time slot out of 8 time slots=> conducted power divided by (8/1) => -9.03dB

2TX-slots = 2 transmit time slots out of 8 time slots=> conducted power divided by (8/2) => -6.02dB

3TX-slots = 3 transmit time slots out of 8 time slots=> conducted power divided by (8/3) => -4.26dB

4TX-slots = 4 transmit time slots out of 8 time slots=> conducted power divided by (8/4) => -3.01dB

Radio	Frequency (MHz)	Distance (mm)	P _{th} (mW)	Maximum Conducted Time-averaged Power including Tune-up Tolerance (dBm)	Antenna Gain (dBi)	Conducted Power or ERP		SAR-Based Exemption
						dBm	mW	
GSM850	824-849	200	1681	26.98	-0.32	26.98	498.88	Compliant
GSM1900	1850-1910	200	3060	21.98	1.78	21.98	157.76	Compliant

Result: The device compliant the SAR-Based Exemption at 20cm distances.

==== END OF REPORT =====