

TEST REPORT

Applicant: Queclink Wireless Solutions Co., Ltd.
Address: No.30, Lane 500, Xinlong Road, Minhang District, Shanghai, China
Equipment Type: Intelligent 4G Dash Camera with Full Featured Telematics
Model Name: CV200XNA
Brand Name: QUECLINK
FCC ID: YQD-CV200XNA
Test Standard: 47 CFR Part 15 Subpart E(refer section 3.1)
Sample Arrival Date: Jul. 31, 2023
Test Date: Aug. 22, 2023
Date of Issue: Aug. 31, 2023

ISSUED BY:

Kunshan Balun Communications Technology Co., Ltd.

Tested by: Li Yupeng

Checked by: Ye Feng

Approved by: Luo Biao

(General Manager)

Li Yupeng

Ye Feng

Luo Biao

Revision History		
Version	Issue Date	Revisions
<u>Rev. 01</u>	<u>Aug. 31, 2023</u>	<u>Initial Issue</u>

TABLE OF CONTENTS

1	Administrative Data (GENERAL INFORMATION).....	4
1.1	Identification of the Testing Laboratory	4
1.2	Identification of the Responsible Testing Location	4
2	PRODUCT INFORMATION	5
2.1	Applicant Information	5
2.2	Manufacturer Information.....	5
2.3	Factory Information.....	5
2.4	General Description for Equipment under Test (EUT).....	5
2.5	Technical Information	6
3	SUMMARY OF TEST RESULTS	7
3.1	Test Standards	7
3.2	Test Verdict	7
3.3	Measurement Uncertainty.....	7
4	GENERAL TEST CONFIGURATIONS	8
4.1	Test Environments.....	8
4.2	Test Equipment List	8
4.3	Test Software List.....	8
4.4	Description of Test Setup.....	9
5	TEST ITEMS	10
5.1	DFS.....	10
ANNEX A TEST RESULT		16
A.1	CHANNEL CLOSING TRANSMISSION AND CHANNEL MOVE TIME.....	16
A.2	NON- OCCUPANCY PERIOD	16
ANNEX B TEST SETUP PHOTOS		17
ANNEX C EUT EXTERNAL PHOTOS.....		17

ANNEX D EUT INTERNAL PHOTOS..... 17

1 Administrative Data (GENERAL INFORMATION)

1.1 Identification of the Testing Laboratory

Company Name	Kunshan Balun Communications Technology Co., Ltd.
Address	Room 101, Building 5, No. 1689 Zizhu Road, Yushan, Kunshan, Jiangsu, China

1.2 Identification of the Responsible Testing Location

Test Location	Kunshan Balun Communications Technology Co., Ltd.
Address	Room 101, Building 5, No. 1689 Zizhu Road, Yushan, Kunshan, Jiangsu, China
Accreditation Certificate	The laboratory is a testing organization accredited by FCC as a accredited testing laboratory. The designation number is CN1352.

2 PRODUCT INFORMATION

2.1 Applicant Information

Applicant	Queclink Wireless Solutions Co., Ltd.
Address	No.30, Lane 500, Xinlong Road, Minhang District, Shanghai, China

2.2 Manufacturer Information

Manufacturer	Queclink Wireless Solutions Co., Ltd.
Address	No.30, Lane 500, Xinlong Road, Minhang District, Shanghai, China

2.3 Factory Information

Factory	N/A
Address	N/A

2.4 General Description for Equipment under Test (EUT)

EUT Name	Intelligent 4G Dash Camera with Full Featured Telematics
Model Name Under Test	CV200XNA
Series Model Name	N/A
Description of Model name differentiation	N/A
Sample No.	SC-EC2360729-S03
Hardware Version	N/A
Software Version	N/A

2.5 Technical Information

Network and Wireless connectivity	3G Network WCDMA/HSDPA/HSUPA/DC-HSDPA/HSPA+ Band 2/4/5 4G Network FDD LTE Band 2/4/5/7/12/13/14/17/25/26/66/71 TDD LTE Band 41 Bluetooth (BR+EDR+BLE) WIFI 802.11a, 802.11b, 802.11g, 802.11n and 802.11ac U-NII-1/2A/2C/3, GPS, GLONASS, BDS
-----------------------------------	--

The requirement for the following technical information of the EUT was tested in this report:

Frequency Range	5250 MHz to 5350 MHz, 5470 MHz to 5725 MHz
Product Type	<input checked="" type="checkbox"/> Mobile <input type="checkbox"/> Portabl <input type="checkbox"/> Fix Location
Maximum Output Power	5250 MHz to 5350 MHz: 13.20 dBm 5470 MHz to 5725 MHz: 13.60 dBm
Antenna Type	FPC Antenna
Antenna Gain	5250 MHz to 5350 MHz: 2.6 dBi 5470 MHz to 5725 MHz: 2.6 dBi (In test items related to antenna gain, the final results reflect this figure. This value is provided by the applicant.)
Note: This device (Client) is without radar detection, then the manufacturer statement confirming that information regarding the parameters of the detected Radar Waveforms is not available to the end user. And the device doesn't have Ad Hoc mode on DFS frequency band.	

3 SUMMARY OF TEST RESULTS

3.1 Test Standards

No.	Identity	Document Title
1	47 CFR Part 15 Subpart E	Unlicensed National Information Infrastructure Devices
2	KDB Publication 905462 D02v02	UNII DFS Compliance Procedures New Rules
3	KDB Publication 905462 D03v01r02	UNII Clients Without Radar Detection New Rules
4	KDB Publication 789033 D02v02r01	Guidelines for Compliance Testing of Unlicensed National Information Infrastructure (U-NII) Devices Part 15, Subpart E

3.2 Test Verdict

No.	Description	FCC Part No.	Verdict	Remark
1	Channel Move Time	15.407	Pass	Applicable
2	Channel Closing Transmission Time	15.407	Pass	Applicable
3	Non- Occupancy Period	15.407	Pass	Applicable

Note : Compared with the EUT of test report No. DDT-B21122007-1E05 (FCC ID: XMR2019SC600NA), the EUT of this report the RF module installed is electronically and mechanically identical, Therefore, all test data please refer to test report No. DDT-B21122007-1E05 (FCC ID: XMR2019SC600NA) which issued by TianJin Dongdian Testing Service Co.,Ltd. on Jan. 10, 2022.

3.3 Measurement Uncertainty

The following measurement uncertainty levels have been estimated for tests performed on the EUT as specified in CISPR 16-4-2. This uncertainty represents an expanded uncertainty expressed at approximately the 95% confidence level using a coverage factor of $k=2$.

Parameters	Uncertainty
Occupied Channel Bandwidth	2.4 %
RF output power, conducted	0.408 dB
Power Spectral Density, conducted	1.739 dB
Unwanted Emissions, conducted	1.738 dB
All emissions, radiated	4.568 dB
Temperature	0.82 °C
Humidity	4.08 %

4 GENERAL TEST CONFIGURATIONS

4.1 Test Environments

During the measurement, the normal environmental conditions were within the listed ranges:

Relative Humidity	42% to 57%	
Atmospheric Pressure	100 kPa to 102 kPa	
Temperature	NT (Normal Temperature)	+23.3°C to +27.8°C
	LT (Low Temperature)	-20°C
	HT (High Temperature)	+70°C
Working Voltage of the EUT	NV (Normal Voltage)	12 V
	LV (Low Voltage)	8 V
	HV (High Voltage)	32 V

4.2 Test Equipment List

N/A

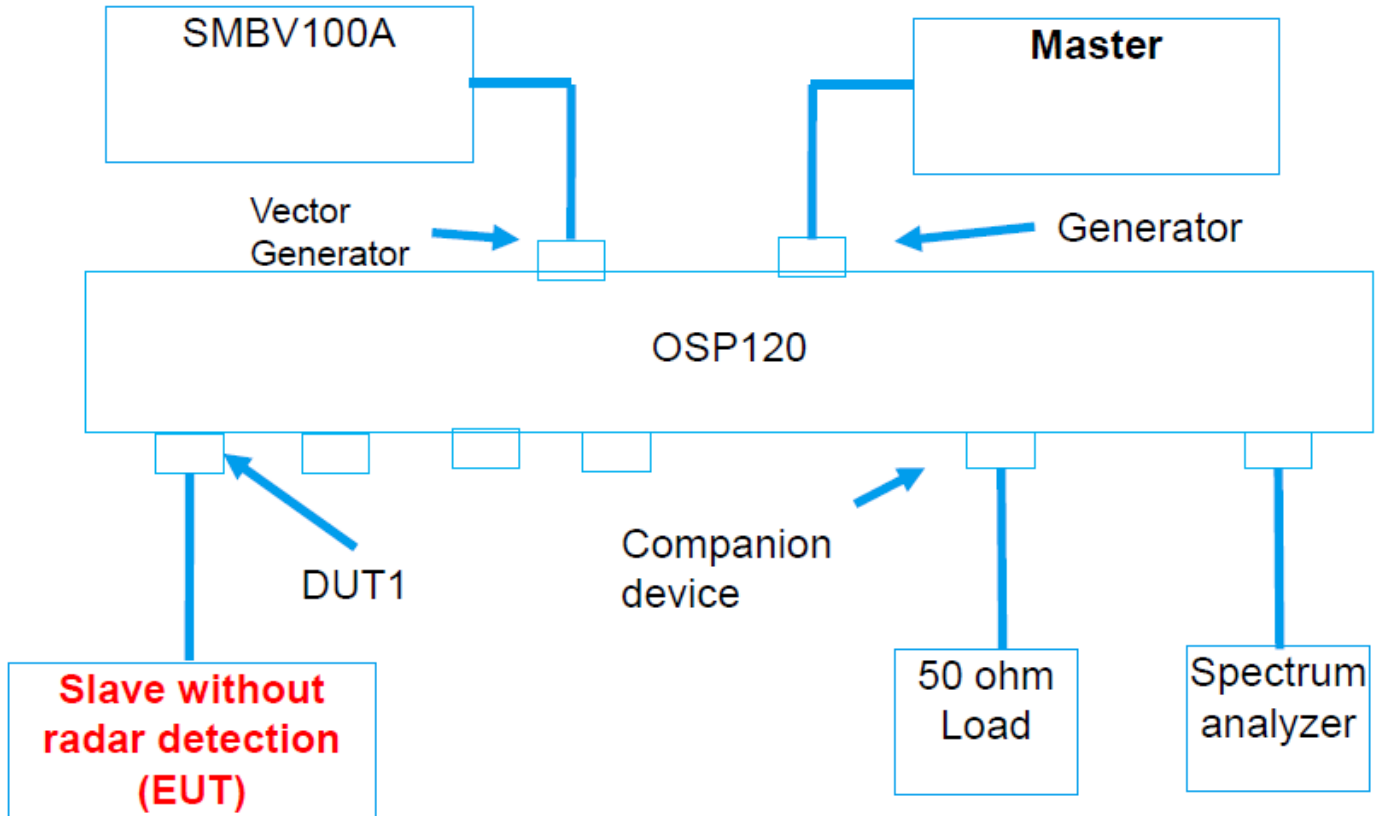
4.3 Test Software List

Description	Manufacturer	Software Version	Serial No.
BL410R	BALUN	V2.1.1.496	N/A

4.4 Description of Test Setup

4.4.1 Conducted Test Setup Configuration

Client without Radar Detection Mode



The UUT is a U-NII Device operating in Client mode without radar detection. The radar test signals are injected into the Master Device.

(Diagram 1)

5 TEST ITEMS

5.1 DFS

5.1.1 U-NII DFS Rule Requirements

5.1.1.1 Working Mode and Required Test Items

The manufacturer shall state whether the UUT is capable of operating as a Master and/or a Client. If the UUT is capable of operating in more than one operating mode then each operating mode shall be tested separately. See tables 1 and 2 for the applicability of DFS requirements for each of the operational modes.

APPLICABILITY OF DFS REQUIREMENTS PRIOR TO USE A CHANNEL

Requirement	Operational Mode		
	Master	Client without radar detection	Client with radar detection
Non-Occupancy Period	✓	✓	✓
DFS Detection Threshold	✓	Not required	✓
Channel Availability Check Time	✓	Not required	Not required
Uniform Spreading	✓	Not required	Not required
U-NII Detection Bandwidth	✓	Not required	✓

APPLICABILITY OF DFS REQUIREMENTS DURING NORMAL OPERATION

Requirement	Operational Mode		
	Master	Client without radar detection	Client with radar detection
DFS Detection Threshold	✓	Not required	✓
Channel Closing Transmission Time	✓	✓	✓
Channel Move Time	✓	✓	✓
U-NII Detection Bandwidth	✓	Not required	✓

5.1.2 Test Limits and Radar Signal Parameters

Detection Threshold Values

DFS DETECTION THRESHOLDS FOR MASTER DEVICES AND CLIENT DEVICES WITH RADAR DETECTION

Maximum Transmit Power	Value (See Note ¹ & ²)
≥ 200 milliwatt	-64 dBm
< 200 milliwatt	-62 dBm

Note ¹: This is the level at the input of the receiver assuming a 0 dBi receive antenna.

Note ²: Throughout these test procedures an additional 1 dB has been added to the amplitude of the test transmission waveforms to account for variations in measurement equipment. This will ensure that the test signal is at or above the detection threshold level to trigger a DFS response.

DFS RESPONSE REQUIREMENT VALUES

Parameter	Value
Non-occupancy period	Minimum 30 minutes
Channel Availability Check Time	60 seconds
Channel Move Time	10 seconds See Note ¹ .
Channel Closing Transmission Time	200 milliseconds + an aggregate of 60 milliseconds over remaining 10 second period. See Note ^{1&2} .
U-NII Detection Bandwidth	100% of the UNII transmission power bandwidth. See Note ³ .

Note ¹: The instant that the Channel Move Time and the Channel Closing Transmission Time begins is as follows:

- For the Short Pulse Radar Test Signals this instant is the end of the Burst.
- For the Frequency Hopping radar Test Signal, this instant is the end of the last radar Burst generated.
- For the Long Pulse Radar Test Signal this instant is the end of the 12 second period defining the Radar Waveform.

Note ²: The Channel Closing Transmission Time is comprised of 200 milliseconds starting at the beginning of the Channel Move Time plus any additional intermittent control signals required to facilitate a Channel move (an aggregate of 60 milliseconds) during the remainder of the 10 second period. The aggregate duration of control signals will not count quiet periods in between transmissions.

Note ³: During the U-NII Detection Bandwidth detection test, radar type 1 is used and for each frequency step the minimum percentage of detection is 90 percent. Measurements are performed with no data traffic.

Parameters of DFS Test Signals

Step intervals of 0.1 microsecond for Pulse Width, 1 microsecond for PRI, 1 MHz for chirp width and 1 for the number of pulses will be utilized for the random determination of specific test waveforms.

SHORT PULSE RADAR TEST WAVEFORMS

Radar Type	Pulse Width (μsec)	PRI (μsec)	Number of Pulses	Minimum Percentage of Successful Detection	Minimum Number of Trials
0	1	1428	18	See Note	See Note
1	1	Test A: 15 unique PRI values randomly selected from the list of 23 PRI values in Table 5a	$\text{Roundup} \left\{ \left(\frac{1}{360} \right) \cdot \left(\frac{19 \cdot 10^6}{\text{PRI}_{\mu\text{sec}}} \right) \right\}$	60%	30
		Test B: 15 unique PRI values randomly selected within the range of 518-3066 μsec, with a minimum increment of 1 μsec, excluding PRI values selected in Test A			
2	1-5	150-230	23-29	60%	30
3	6-10	200-500	16-18	60%	30
4	11-20	200-500	12-16	60%	30
Aggregate (Radar Types 1-4)				80%	120

Note: Short Pulse Radar Type 0 should be used for the detection bandwidth test, channel move time, and channel closing time tests.

LONG PULSE RADAR TEST WAVEFORM

Radar Type	Pulse Width (μsec)	Chirp Width (MHz)	PRI (μsec)	Number of Pulses per Burst	Number of Bursts	Minimum Percentage of Successful Detection	Minimum Number of Trials
5	50-100	5-20	1000-2000	1-3	8-20	80%	30

FREQUENCY HOPPING RADAR TEST WAVEFORM

Radar Type	Pulse Width (μsec)	PRI (μsec)	Pulses per Hop	Hopping Rate (kHz)	Hopping Sequence Length (msec)	Minimum Percentage of Successful Detection	Minimum Number of Trials
6	1	333	9	0.333	300	70%	30

5.1.2.1 Test Setup

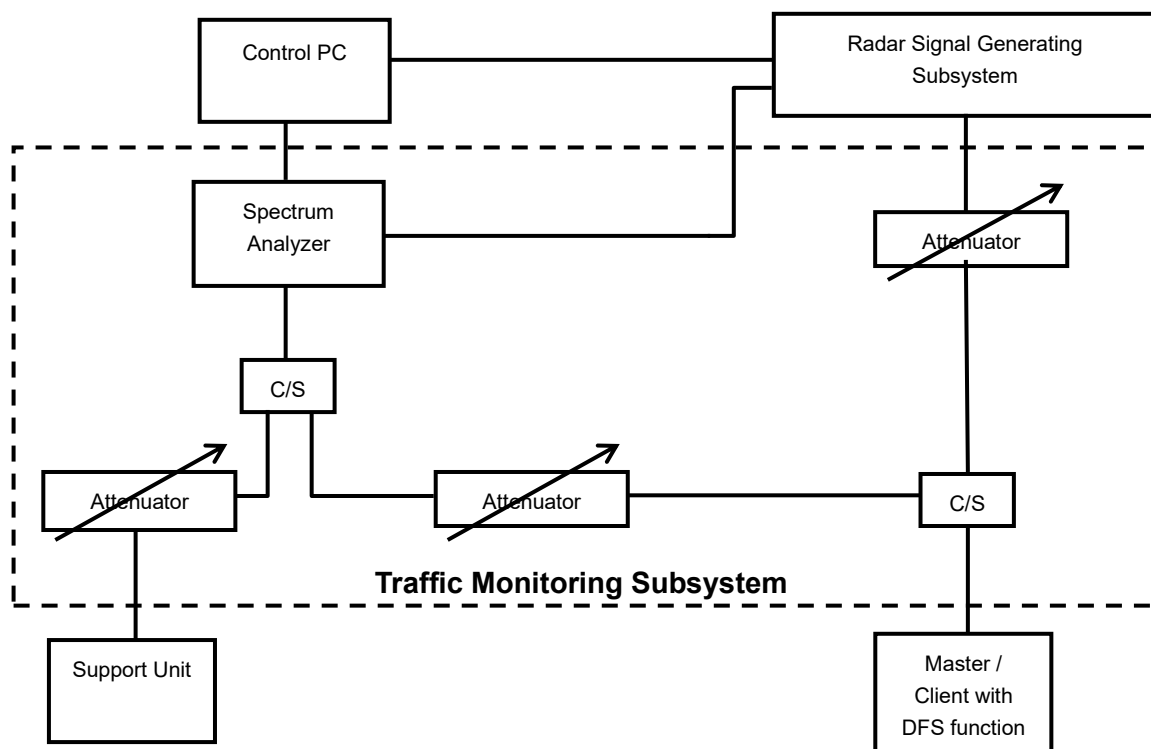
See 4.4 for test setup description for the radiated test. The photo of test setup please refer to ANNEX B.

5.1.2.2 Test Procedure

DFS MEASUREMENT SYSTEM:

A complete DFS Measurement System consists of two subsystems: (1) the Radar Signal Generating Subsystem and (2) the Traffic Monitoring Subsystem. The control PC is necessary for generating the Radar waveforms in Table 6, 7 and 8. The traffic monitoring subsystem is specified to the type of unit under test (UUT).

Conducted setup configuration of ADT DFS Measurement System

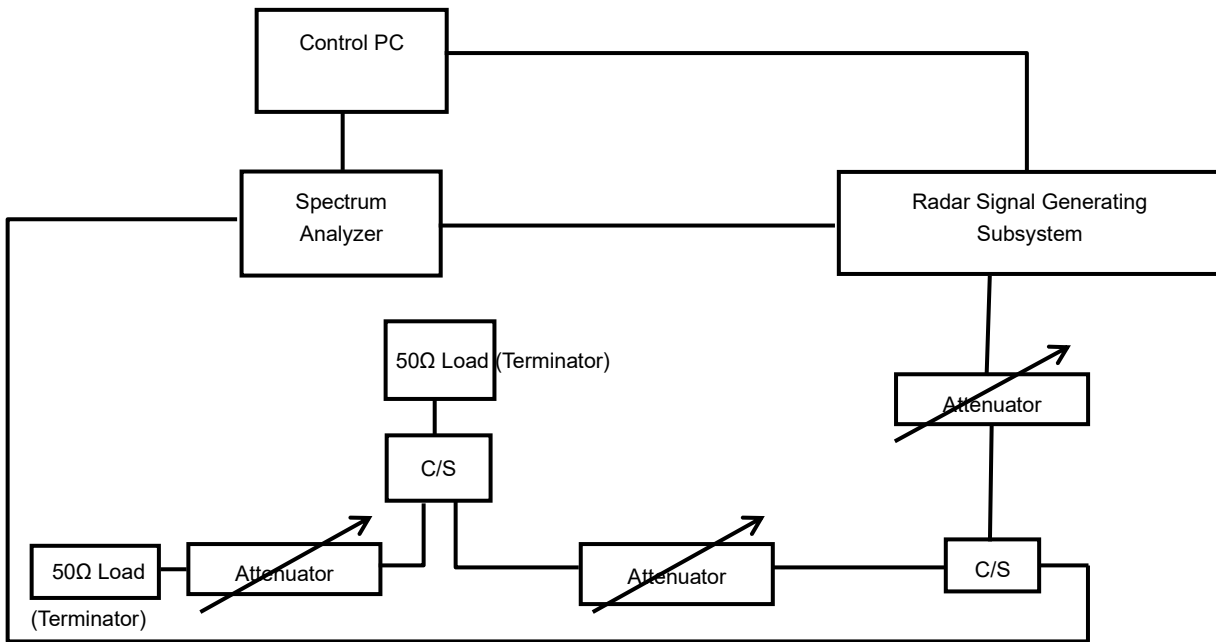


The test transmission will always be from the Master Device to the Client Device. While the Client device is set up to associate with the Master device and play the MPEG file (6 ½ Magic Hours) from Master device, the designated MPEG test file and instructions are located at: <http://ntiacsd.ntia.doc.gov/dfs/>.

CALIBRATION OF DFS DETECTION THRESHOLD LEVEL:

The measured channel is 5500 MHz in 20MHz Bandwidth and 5530MHz in 80MHz Bandwidth. The radar signal was the same as transmitted channels, and injected into the antenna port of AP (master) or Client Device with Radar Detection, measured the channel closing transmission time and channel move time. The Master antenna gain is 6.57dBi and required detection threshold is -54.43dBm (= -62 +1 +6.57)dBm. The calibrated conducted detection threshold level is set to -54.43 dBm.

Conducted setup configuration of Calibration of DFS Detection Threshold Level



Radar Waveform Calibration Result

Note: The Radar Waveform Calibration Result please refer to the test report No. DDT-B21122007-1E05 issued by TianJin Dongdian Testing Service Co.,Ltd. on Jan. 10, 2022, **Appendix 9 Dynamic**

Frequency Selection.

5.1.2.3 Test Result

Please refer to ANNEX A.

ANNEX A TEST RESULT

A.1 CHANNEL CLOSING TRANSMISSION AND CHANNEL MOVE TIME

Note: The CHANNEL CLOSING TRANSMISSION AND CHANNEL MOVE TIME please refer to the test report No. DDT-B21122007-1E05 issued by TianJin Dongdian Testing Service Co.,Ltd. on Jan. 10, 2022, **Appendix 9 Dynamic Frequency Selection.**

A.2 NON- OCCUPANCY PERIOD

Note: The NON- OCCUPANCY PERIOD please refer to the test report No. DDT-B21122007-1E05 issued by TianJin Dongdian Testing Service Co.,Ltd. on Jan. 10, 2022, **Appendix 9 Dynamic Frequency Selection.**

ANNEX B TEST SETUP PHOTOS

Please refer the document “BL-EC2370017-AR.PDF”.

ANNEX C EUT EXTERNAL PHOTOS

Please refer the document “BL-EC2370017-AW.PDF”.

ANNEX D EUT INTERNAL PHOTOS

Please refer the document “BL-EC2370017-AI.PDF”.

Statement

1. The laboratory guarantees the scientificity, accuracy and impartiality of the test, and is responsible for all the information in the report, except the information provided by the customer. The customer is responsible for the impact of the information provided on the validity of the results.
2. The report without China inspection body and laboratory Mandatory Approval (CMA) mark has no effect of proving to the society.
3. For the report with CNAS mark or A2LA mark, the items marked with "☆" are not within the accredited scope.
4. This report is invalid if it is altered, without the signature of the testing and approval personnel, or without the "inspection and testing dedicated stamp" or test report stamp.
5. The test data and results are only valid for the tested samples provided by the customer.
6. This report shall not be partially reproduced without the written permission of the laboratory.
7. Any objection shall be raised to the laboratory within 30 days after receiving the report.

--END OF REPORT--