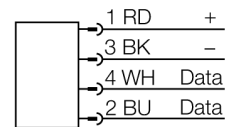
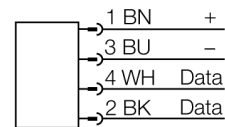


- Rectangular, height 60 mm
- Active face in front
- Plastic, ABS
- Every read/write head can communicate with a number of different TURCK data carriers.
- Powered and operated only via BL ident interface module
- Male M12 x 1, only for use with BL ident extension cable

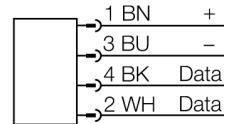
Connectors .../S2503



Connectors .../S2500



Connectors .../S2501



Functional principle

The UHF read/write heads form a transmission zone, the size of which varies depending on the combination of read/write head and data carrier.

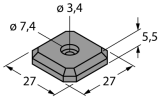
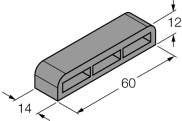
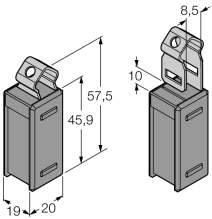
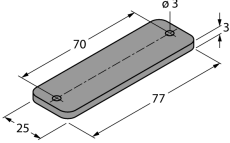
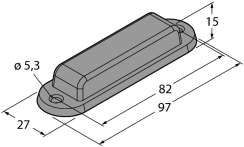
The read/write distances mentioned here only represent standard values measured under laboratory conditions.

Due to component tolerances, mounting conditions, ambient conditions and material influences (especially metal), attainable distances may deviate.

Therefore testing of the application under real operating conditions is indispensable (especially with read/write on-the-fly)!

Type	TN902-Q175L200-H1147
Ident-No.	7030457
Mounting condition	non-flush
Ambient temperature	-25...+50 °C
Operating voltage	12...24VDC
Data transfer	alternating electromagnetic field
Working frequency	902 ... 928 MHz
Radio communication and protocol standards	ISO 18000-6C EPCglobal Gen 2
Channel spacing	500 kHz
Output power	1 W (ERP), adjustable
Antenna polarization	RHCP
Antenna HPBW	90°
Read/write distance max.	4000 mm
Output function	4-wire, read/write
Design	rectangular
Dimensions	200x 175x 60mm
Housing material	aluminium, AL, silver
Material active face	Plastic, ABS, black
Connection	male, M12 x 1
Vibration resistance	55 Hz (1 mm)
Shock resistance	30 g (11 ms)
Protection class	IP67
MTTF	51 years acc. to SN 29500 (Ed. 99) 40 °C
Operating voltage	LED green / yellow / red
Diagnostic display	different settings

Data carrier

Dimensions	Type designation	Max. read distance [m]	
		air	On metal
	TW902-928-Q27-M-B112 7030406		
	TW902-928-Q14L60-M-B110 7030408		
	TW865-928-Q20L58-B110 7030375		
	TW860-960-Q25L77-B-B112 7030458		
	TW860-960-Q27L97-M-B112 7030464		

Data carrier

Dimensions	Type designation	Max. read distance [m]	
		air	On metal
	TW902-928-Q47L51-M-B110 7030407		
	TW902-928-R50-B110 7030404		
	TW860-960-L73-14-C-B110 7030378		
	TW860-960-L97-15-F-B44 7030524		
	TW865-928-L76-18-21-F-M-B110 7030380		

Accessories

Type code	Ident-No.		Dimension drawing
RH-Q240L280/ Q280L640	7030296	Mounting bracket for UHF RFID read/write heads TNxxx-Q240L280-H1147 and TNxxx-Q280L640- H1147	