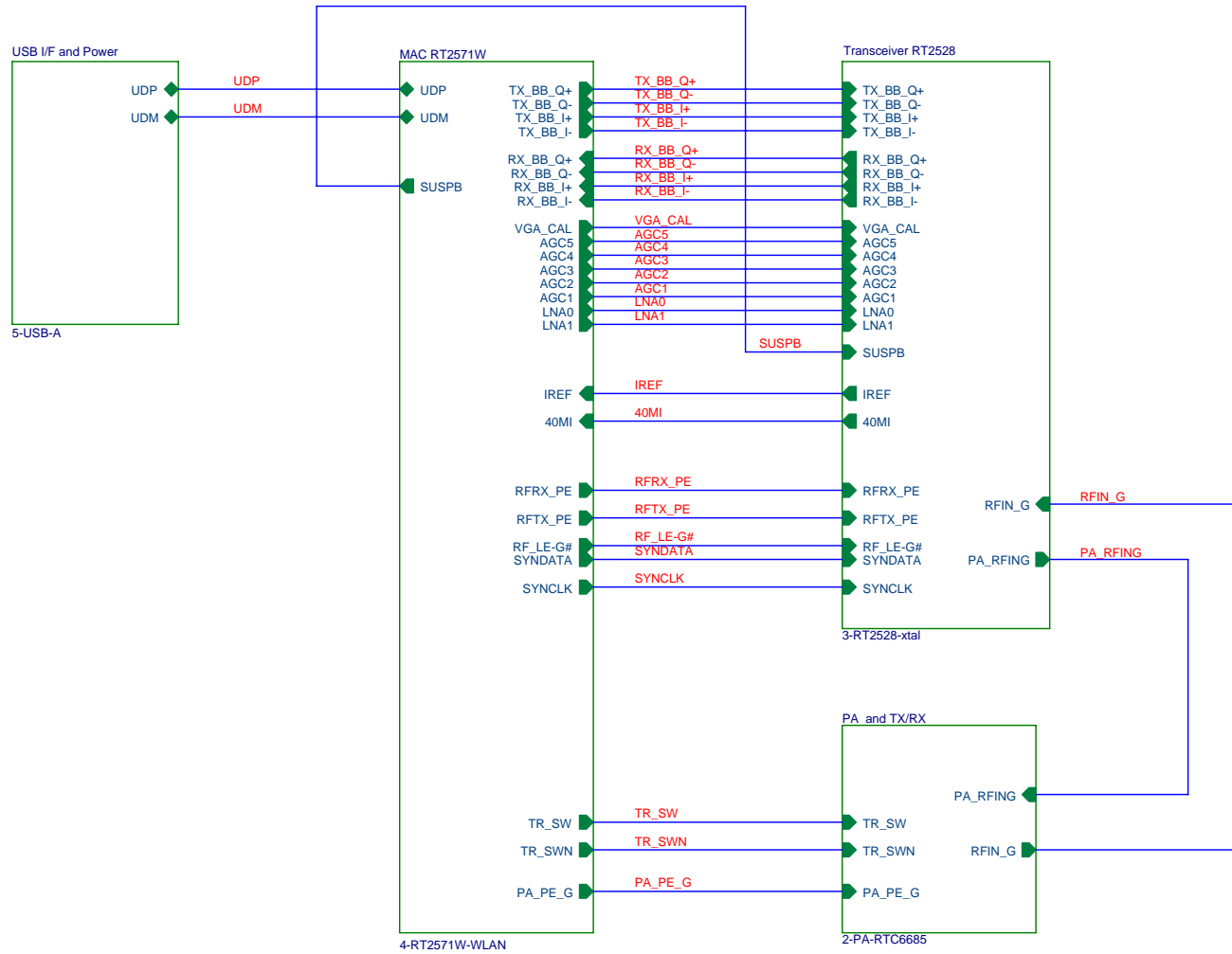

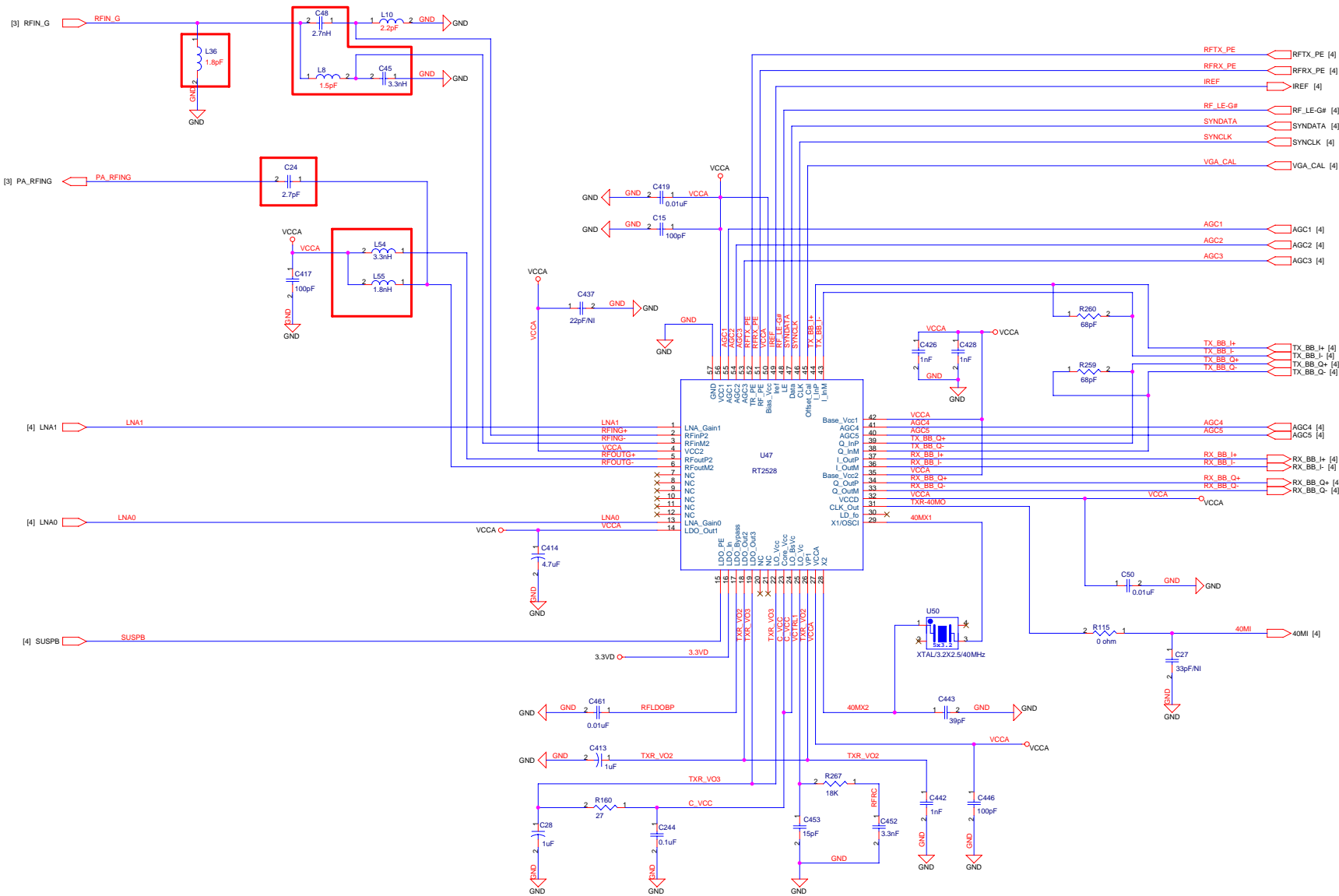


Size B	PCSM No.	DWG No.	Rev
Scale	Sheet 0 of 0		




Filename:  
 USB-PEN-RT2501W-V40RW-4L-D1741-070725.DSN

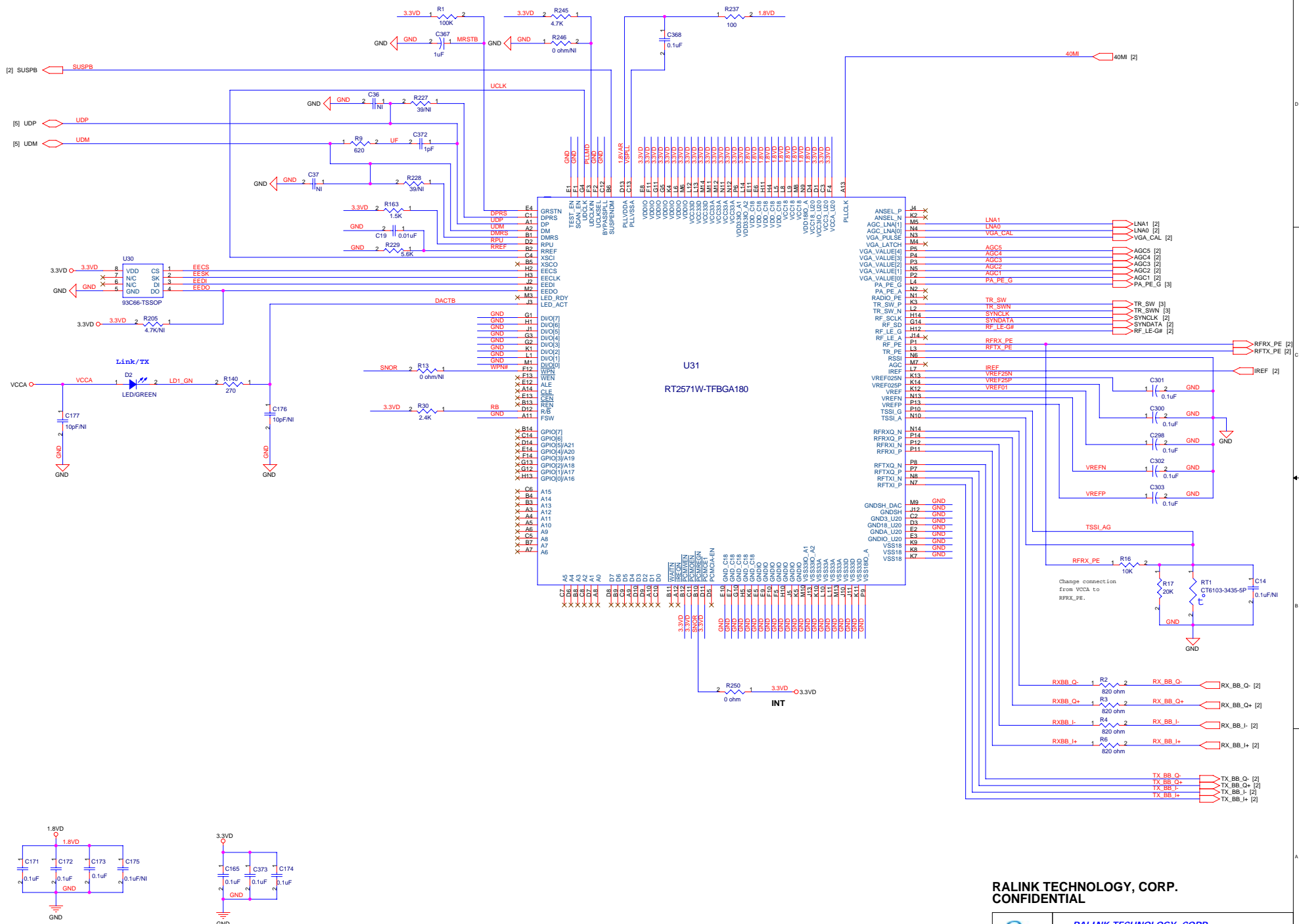
	<b>RALINK TECHNOLOGY, CORP.</b>		
	Title USB 2.0 PEN TYPE System - RT2571W + RT2528		
	Size B	Document Number USB-RT2501WUSB-V40RW-X.SCH	Rev 4.0
Date:	Friday, October 26, 2007	Sheet	1 of 6



RALINK TECHNOLOGY, CORP.  
CONFIDENTIAL

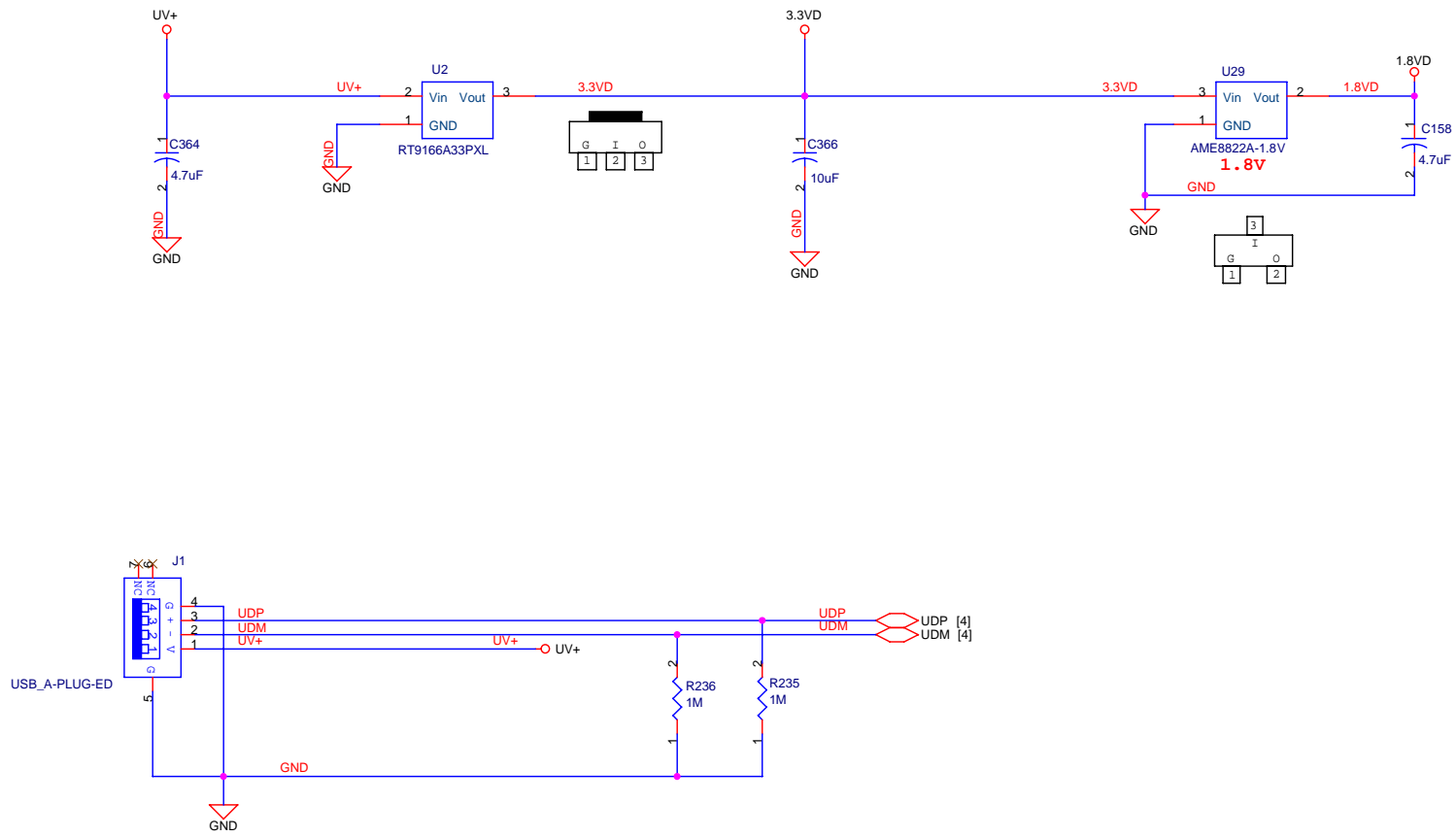
			<b>RALINK TECHNOLOGY, CORP.</b>		
			Transceiver - RT2528		
File	3-RT2528-xtal.SCH			Rev	4.0
Size	Document Number				
C	3-RT2528-xtal.SCH				
Date	Friday, October 26, 2007	Sheet	2	of	6






RALINK TECHNOLOGY, CORP.  
CONFIDENTIAL

<b>RALINK TECHNOLOGY, CORP.</b>		
File	WLAN MAC+BBP - RT2571W	
Size	Document Number	Rev
C	4-RT2571W-WLAN.SCH	4.0
Date	Friday, October 26, 2007	Sheet 4 of 6



**RALINK TECHNOLOGY, CORP.**  
**CONFIDENTIAL**

			<b>RALINK TECHNOLOGY, CORP.</b>	
			Title PEN USB Interface and Power	
Size B	Document Number 5-USB-A.SCH			Rev 4.0
Date:	Friday, October 26, 2007	Sheet	5	of 6