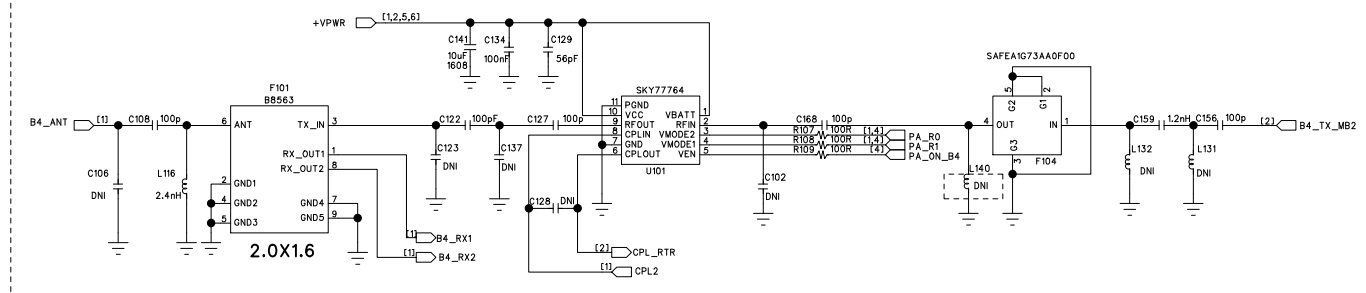


MIMO

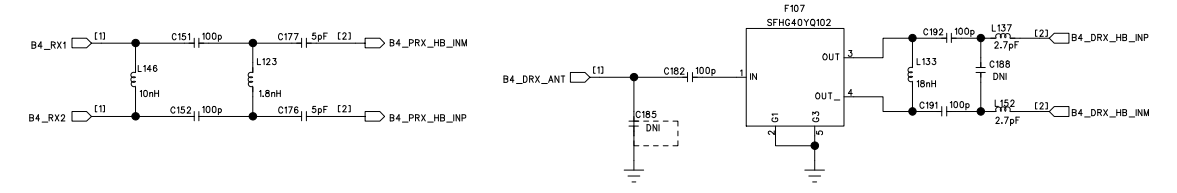
BAND 4

TX PATH

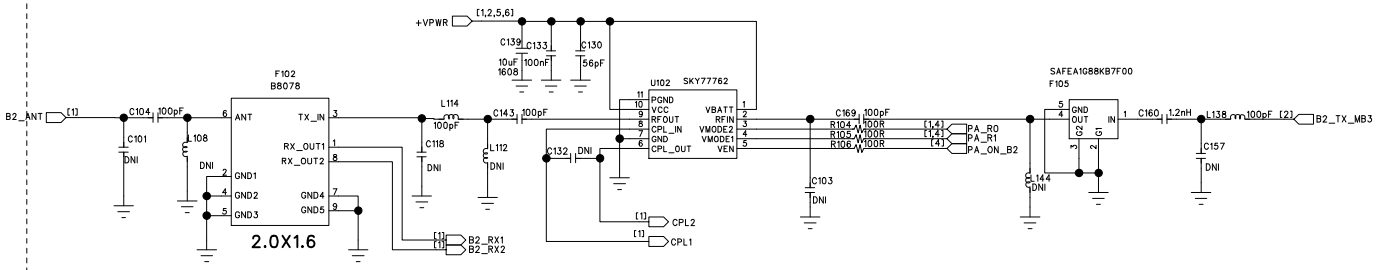


BAND 4 2110~2170MHz

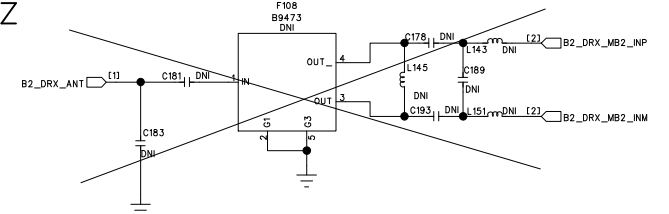
RX PATH



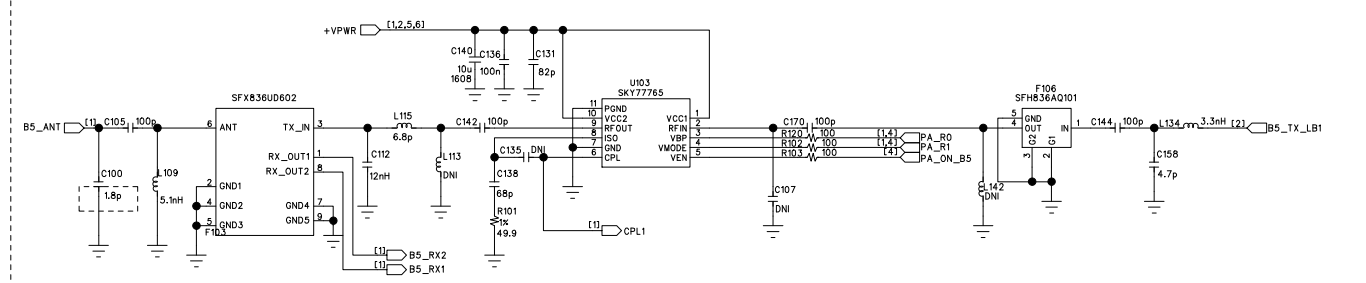
BAND 2



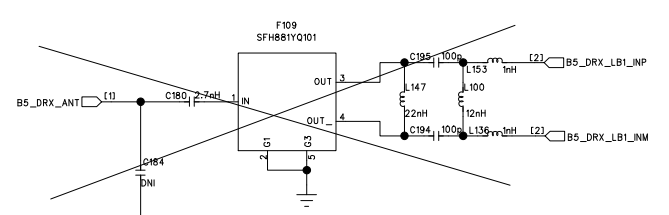
BAND 2 1930~1990MHz



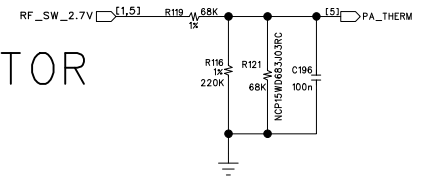
BAND 5



BAND 5 869~894MHz



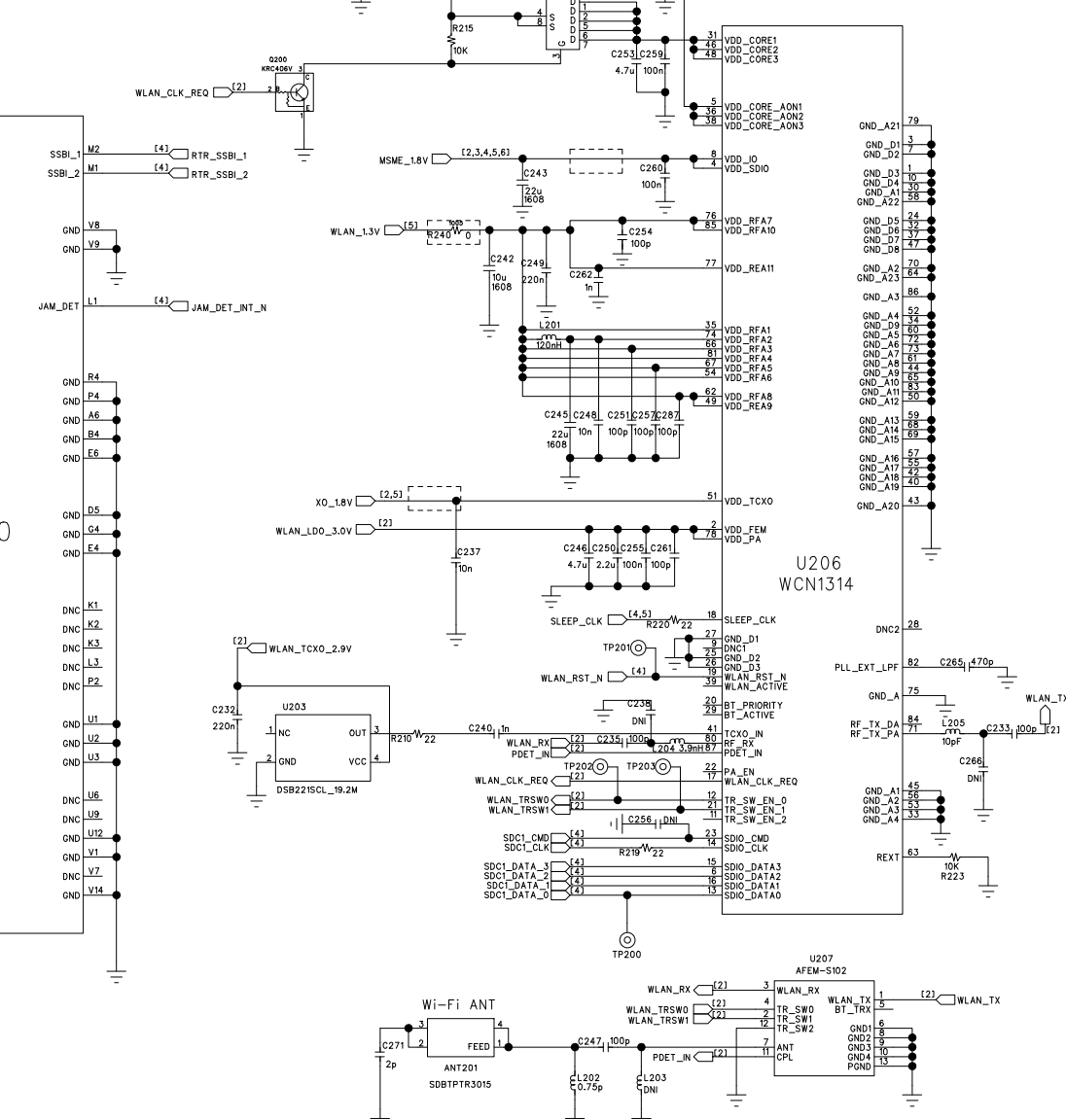
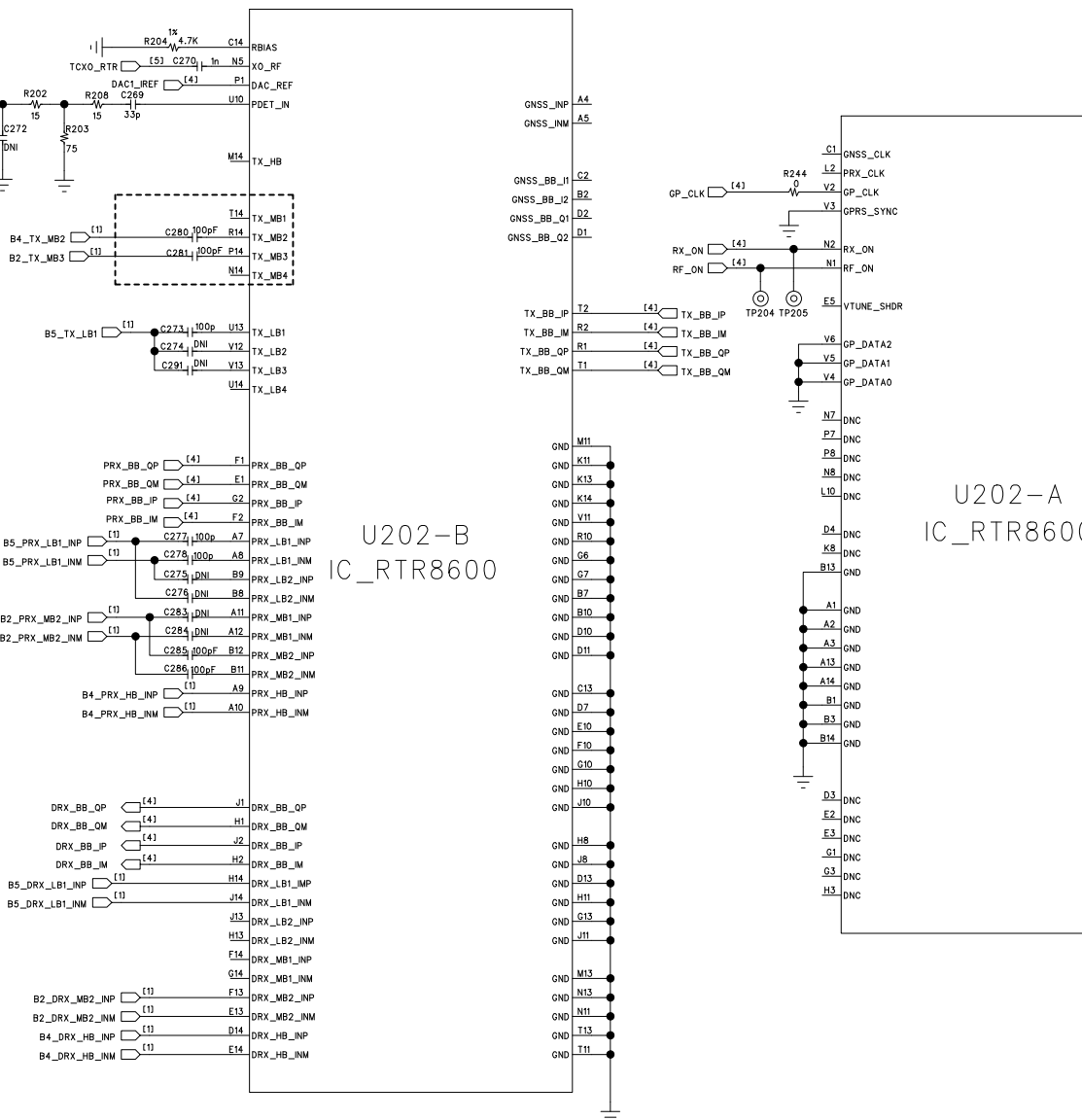
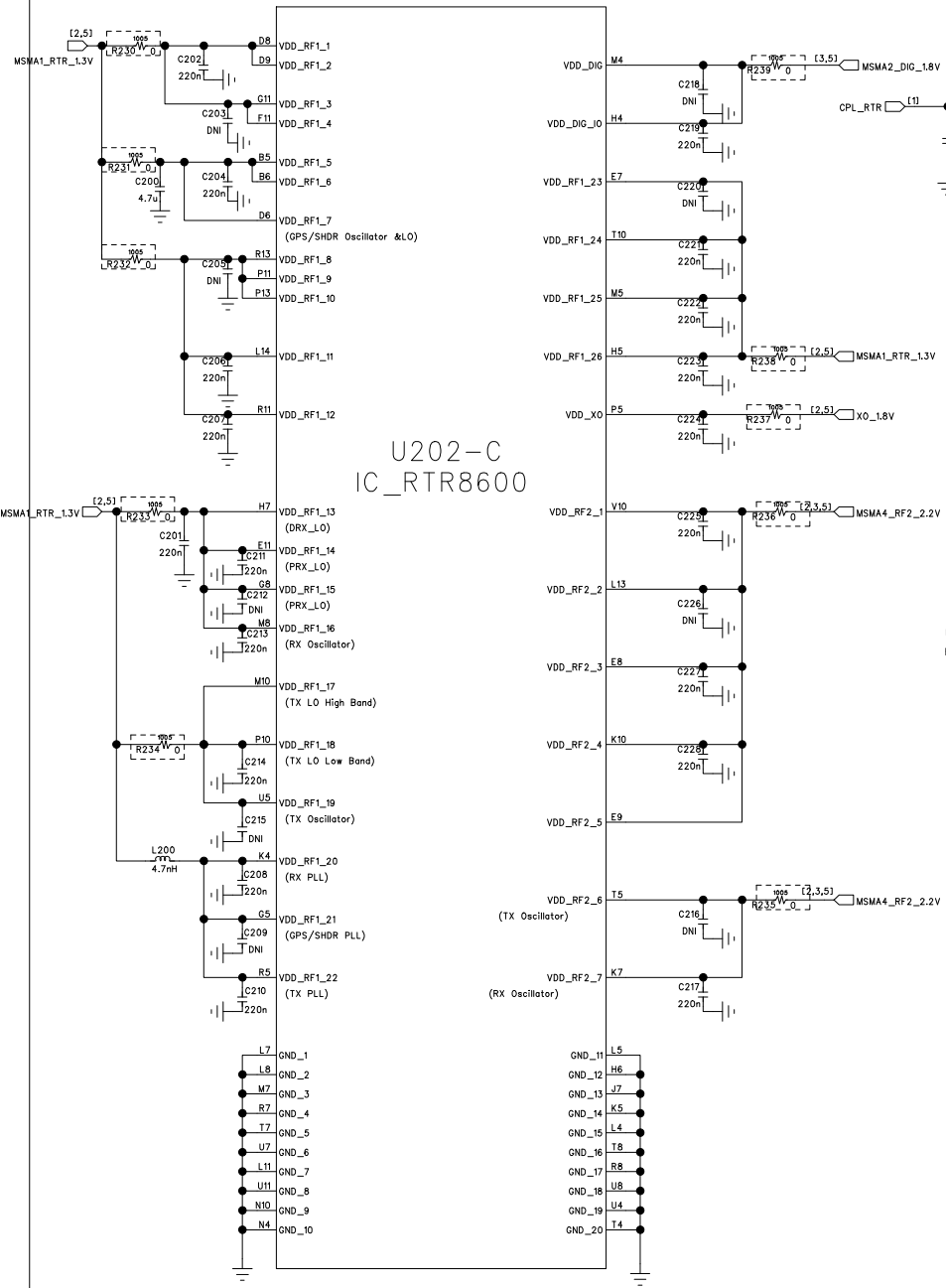
THERMISTOR



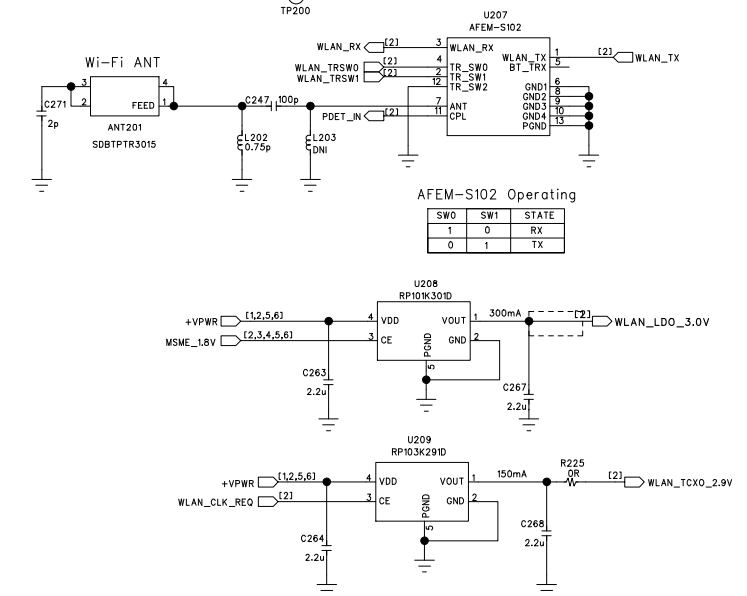
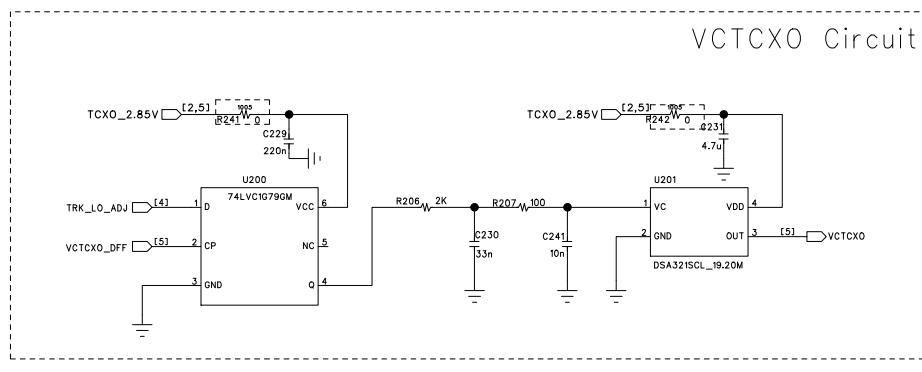
	NAME	DATE	SIGN	DRAWING NAME	AMR510T
DESIGNER	S.W.HAN	2013.03.20		TITLE	RF
CHECKED				Documentation No	REV 1.0
APPROVED	S.M.HAN	2013.03.20		SHEET: 1 OF 6	

RTR8600_Circuit

WCN1314 Circuit

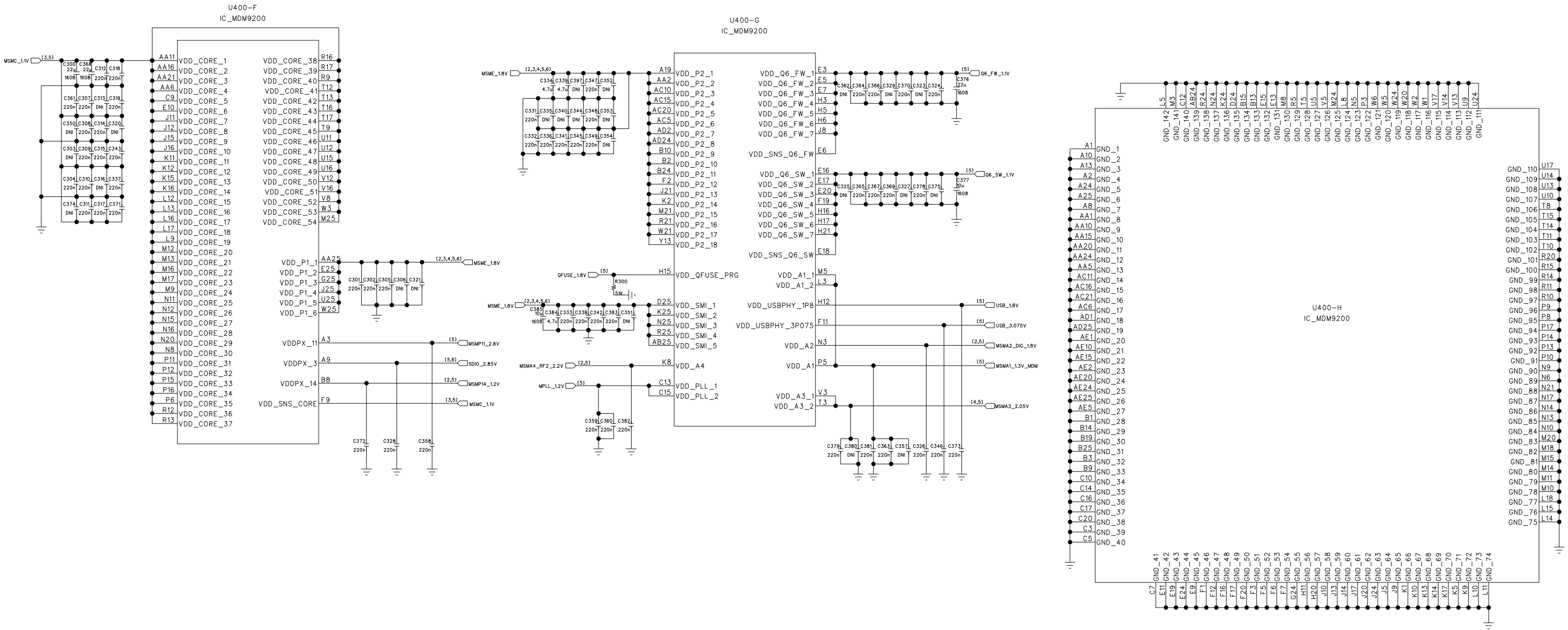


	RX	TX	DRX	TELCEL
B4	PRX_HB	TX_MB2	DRX_HB	LTE
B2	PRX_MB2	TX_MB3	DRX_MB2	WCDMA
B5	PRX_LB1	TX_LB1	DRX_LB2	WCDMA



	NAME	DATE	SIGN	DRAWING NAME	AMR510T
DESIGNER	S.W.HAN	2013.03.20		TITLE	RTR8600&Wi-Fi
CHECKED				Documentation No	REV 1.0
APPROVED	S.M.HAN	2013.03.20		SHEET: 2 OF 6	

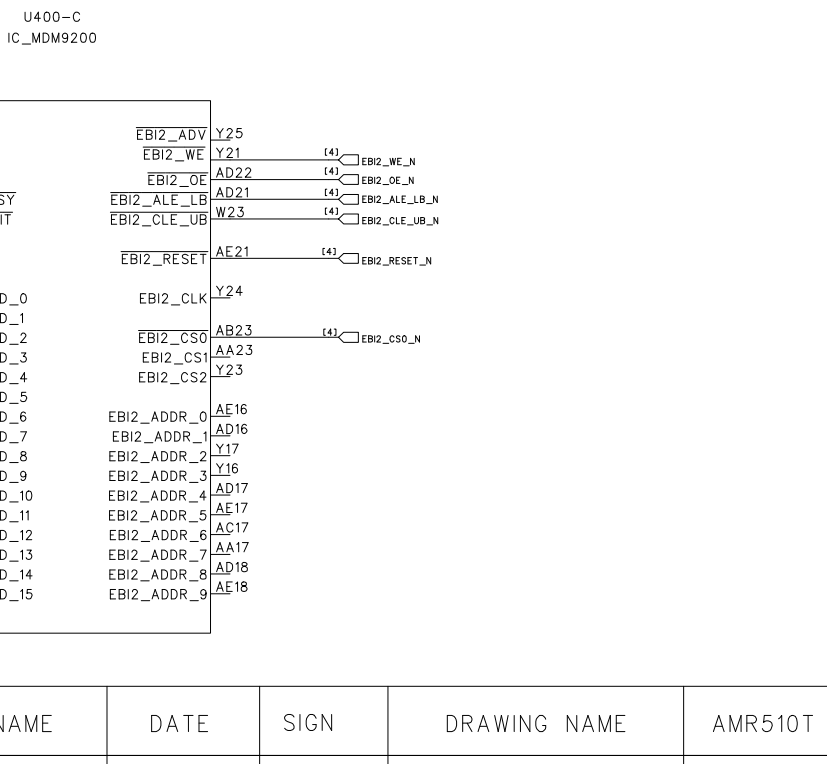
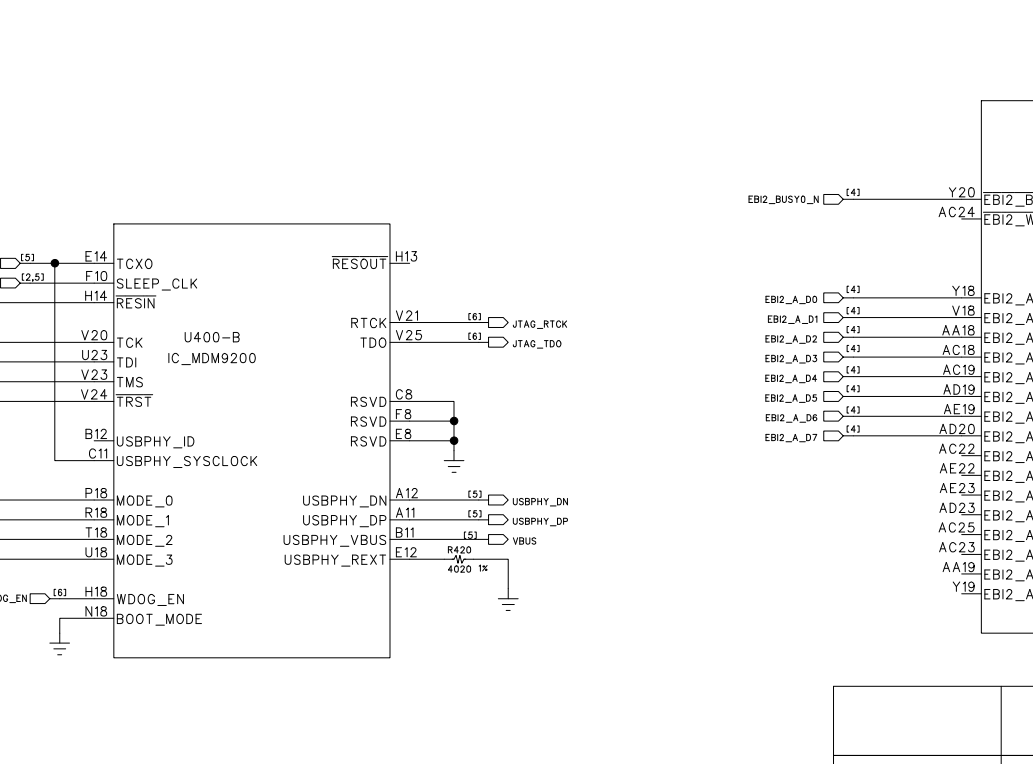
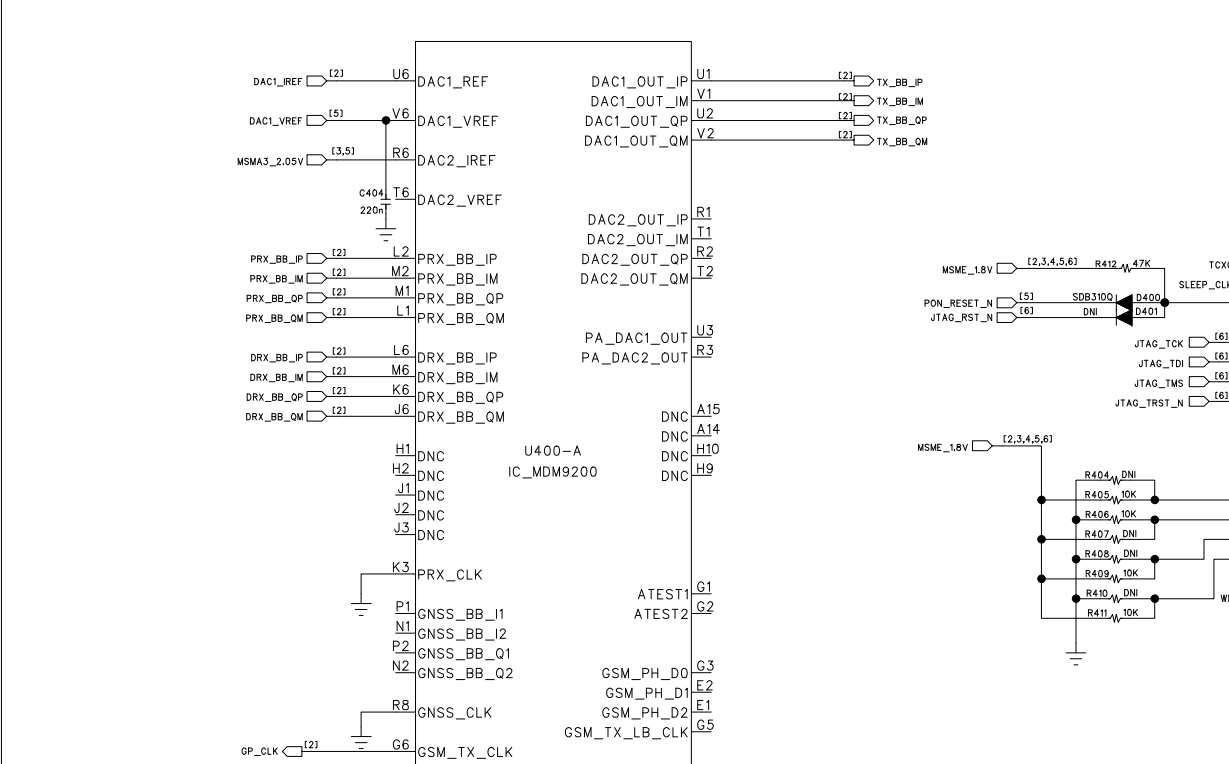
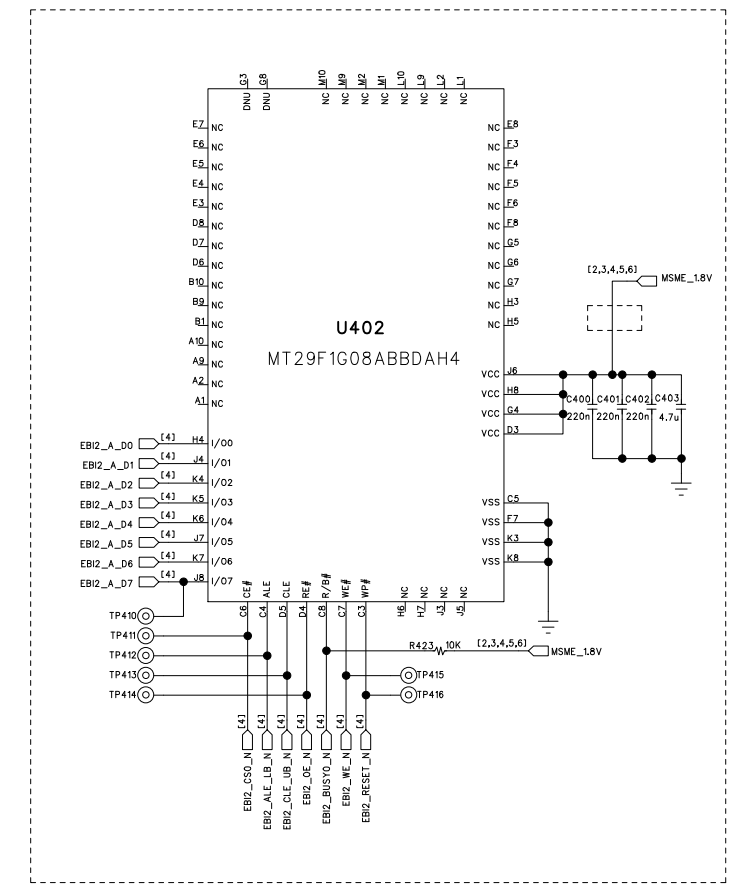
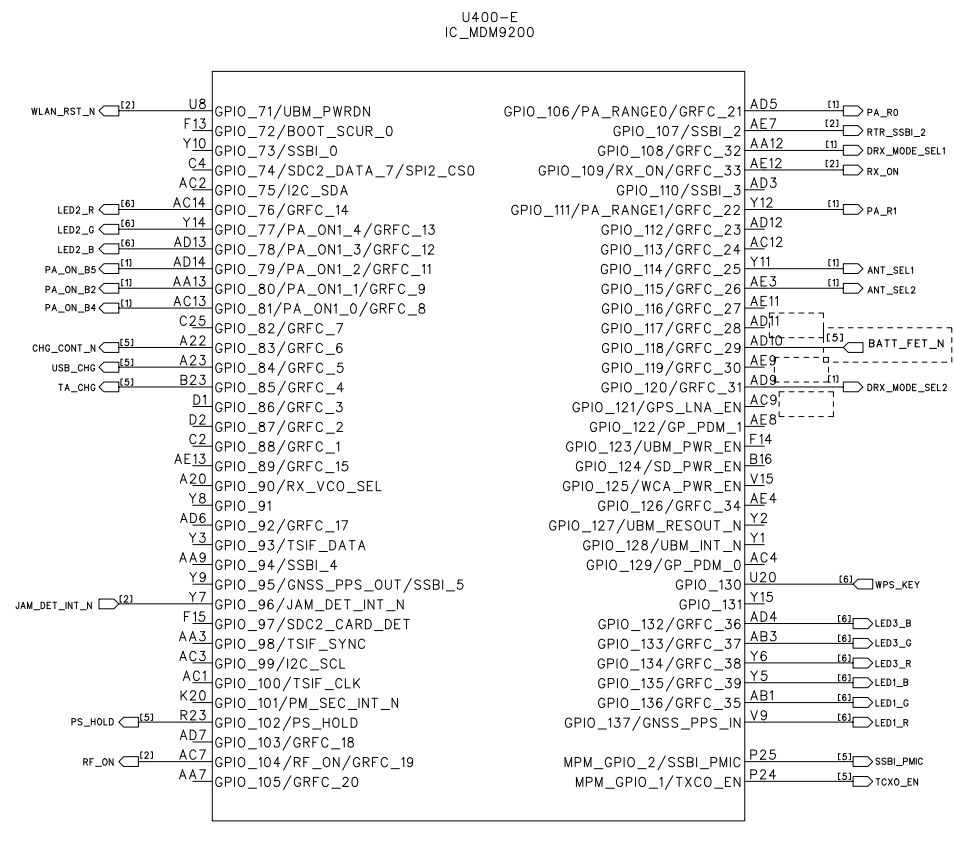
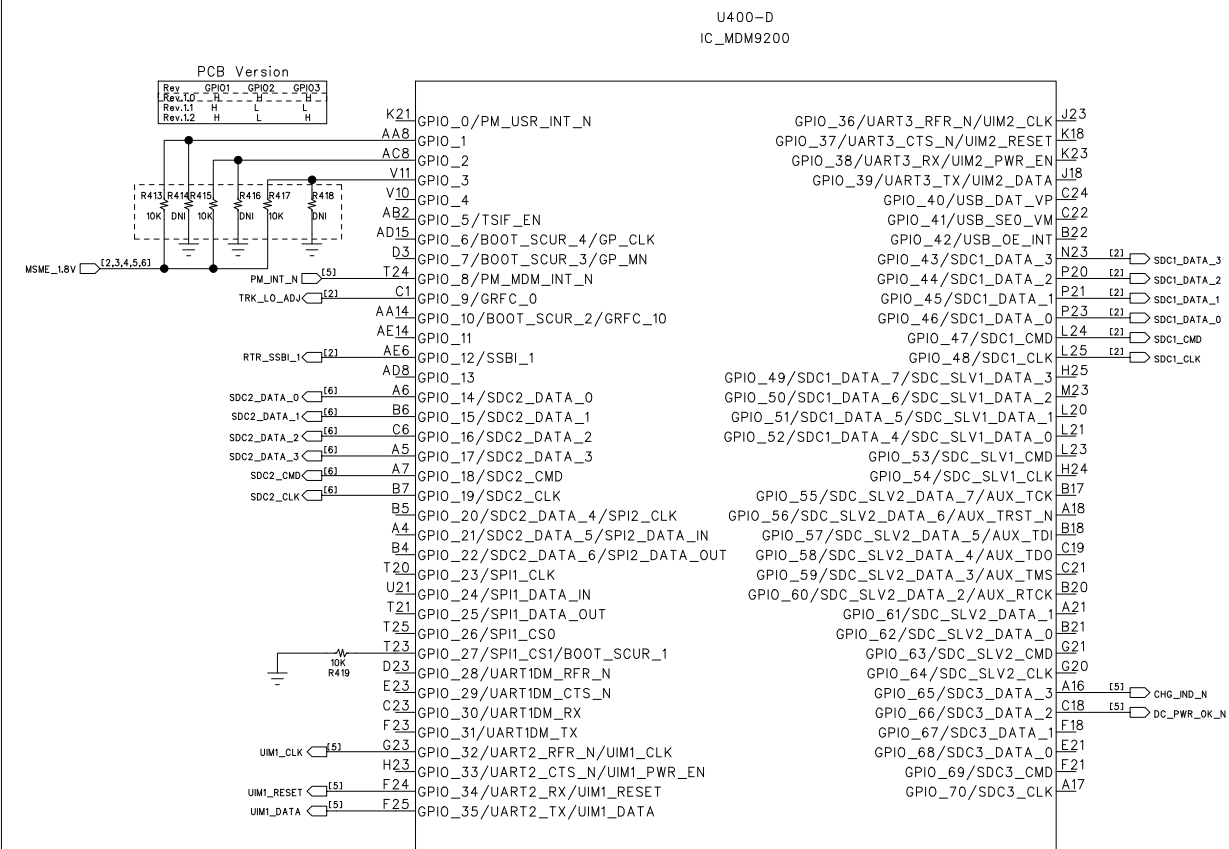
MDM9200_POWER_Circuit



	NAME	DATE	SIGN	DRAWING NAME	AMR510T
DESIGNER	S.W.HAN	2013.03.20		TITLE	MDM_PWR
CHECKED				Documentation No	REV 1.0
APPROVED	S.M.HAN	2013.03.20		SHEET: 3 OF 6	

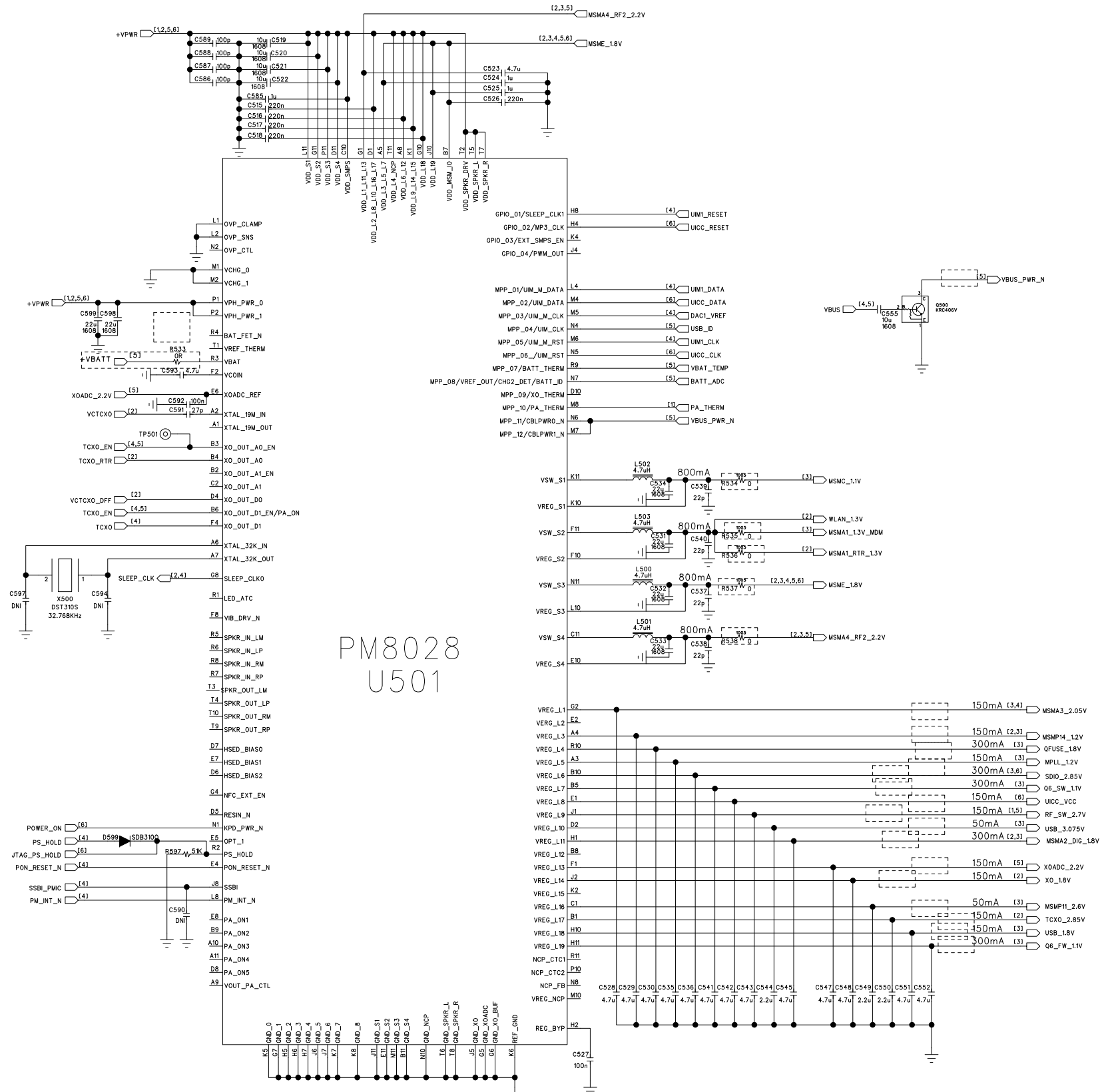
MDM9200_IF_Circuit

MEMORY Circuit



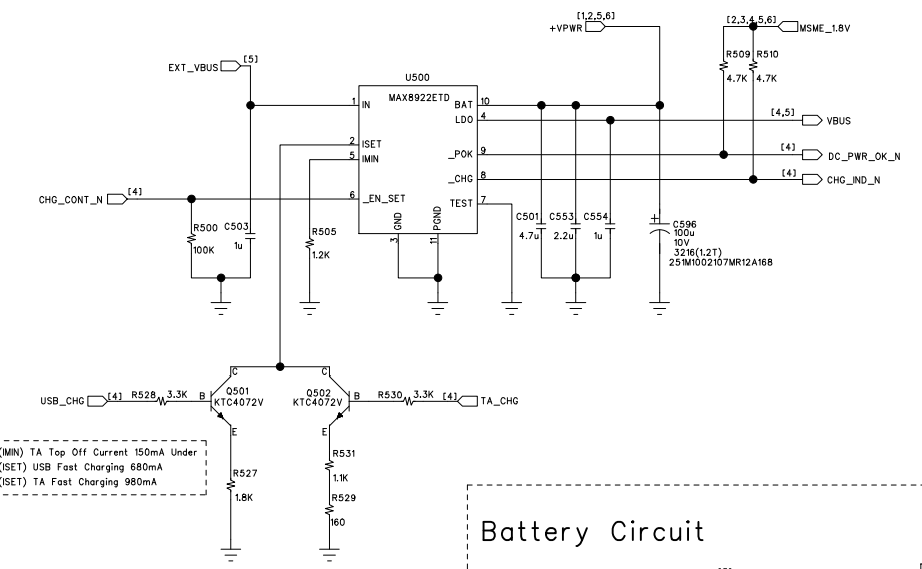
	NAME	DATE	SIGN	DRAWING NAME	AMR510T
DESIGNER	S.W.HAN	2013.03.20		TITLE	MDM_MEMORY
CHECKED				Documentation No	REV 1.0
APPROVED	S.M.HAN	2013.03.20		SHEET: 4 OF 6	

PMIC8028 Circuit

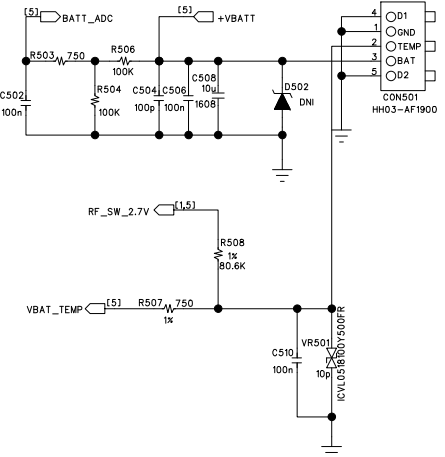


PM8028
U501

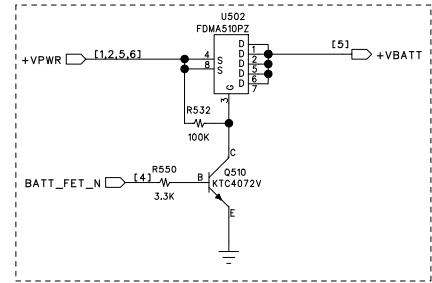
Charger Circuit



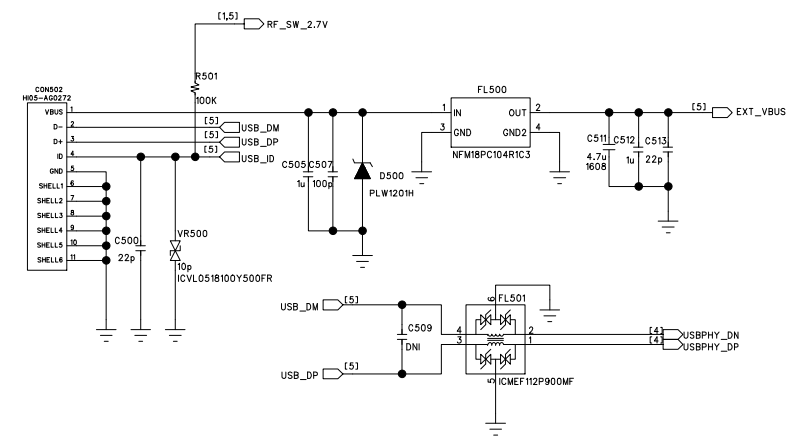
Battery Circuit



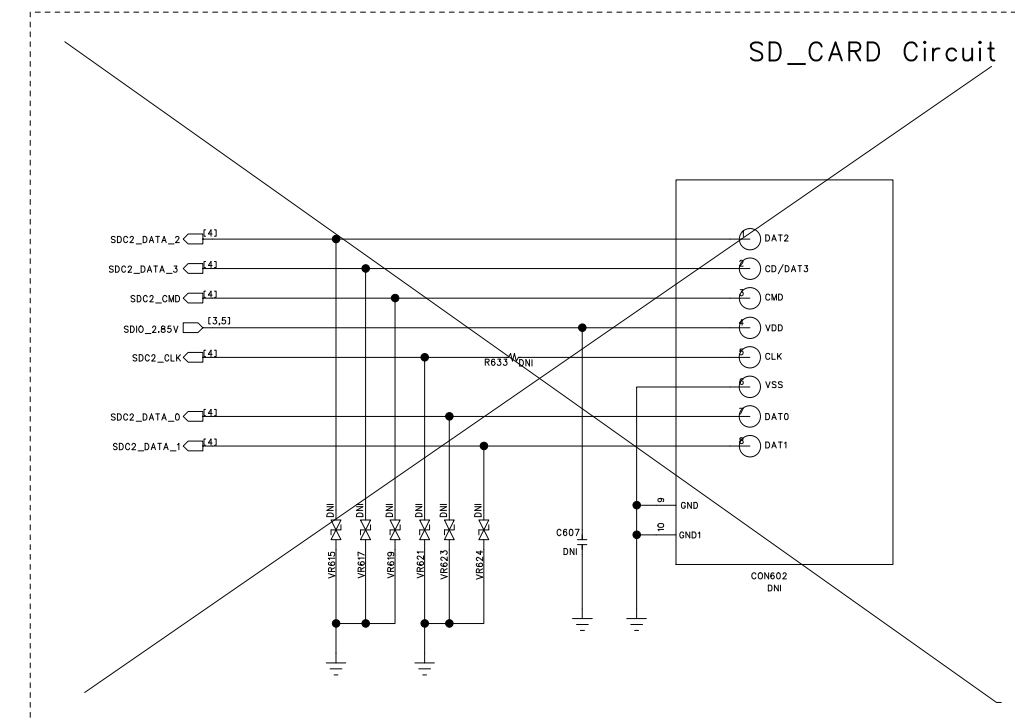
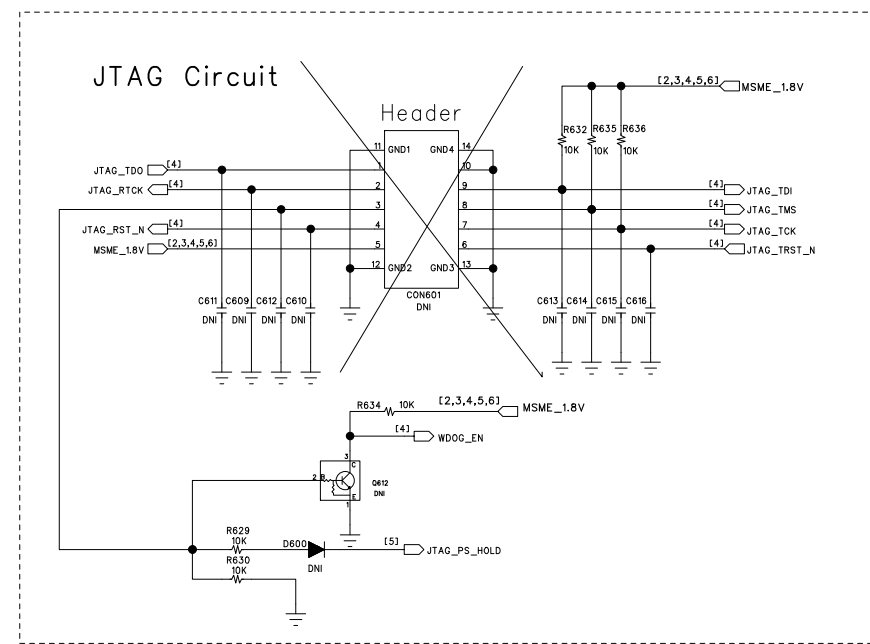
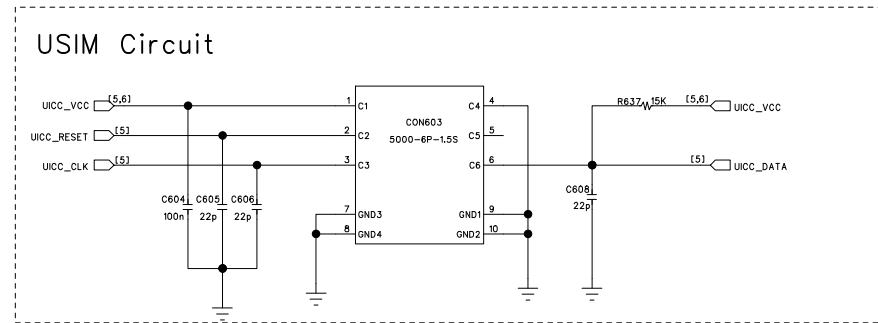
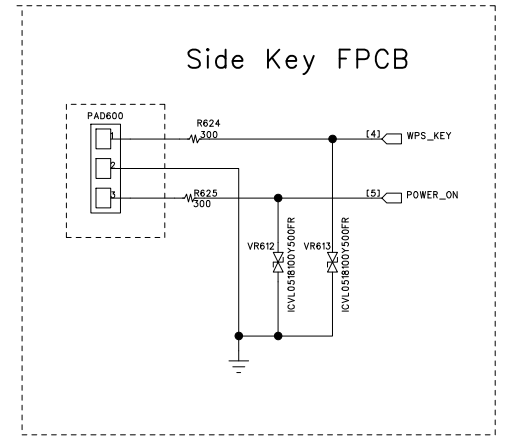
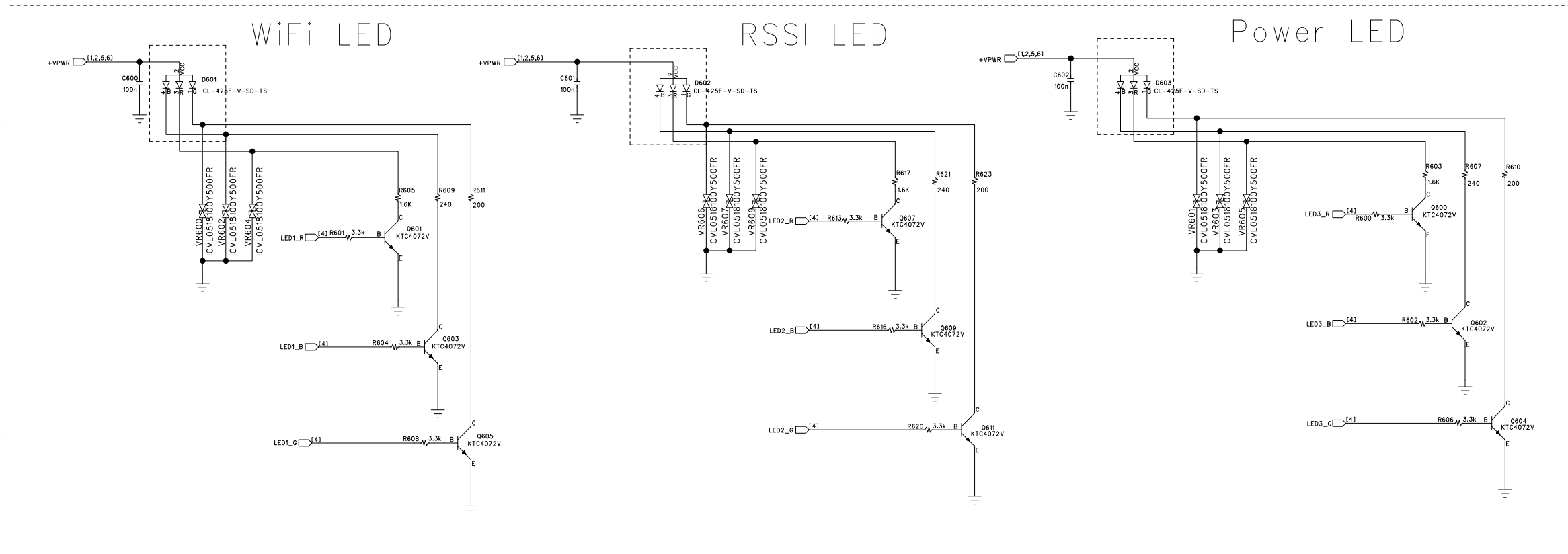
FET Control TR Circuit Add



Micro 5Pin USB Circuit



NAME	DATE	SIGN	DRAWING NAME	AMR510T
DESIGNER	S.W.HAN	2013.03.20	TITLE	PMIC&POWER
CHECKED			Documentation No	REV 1.0
APPROVED	S.M.HAN	2013.03.20	SHEET: 5 OF 6	



	NAME	DATE	SIGN	DRAWING NAME	AMR510T
DESIGNER	S.W.HAN	2013.03.20		TITLE	INTERFACE
CHECKED				Documentation No	REV 1.0
APPROVED	S.M.HAN	2013.03.20		SHEET: 6 OF 6	