



## FCC TEST REPORT

### 47 CFR FCC Part 15 Subpart B

**Report Reference No.**.....: **TRE1401002106 R/C: 88877**

**FCC ID**.....: **YPVITALCOMZEUZ-HD**

Compiled by  
 ( position+printed name+signature)..: File administrators Eric Wang

*Eric Wang*

Supervised by  
 ( position+printed name+signature)..: Test Engineer Yuchao Wang

*yuchao.wang*

Approved by  
 ( position+printed name+signature)..: Manager Wenliang Li

*Wenliang Li*

Date of issue.....: Jan 15, 2014

**Testing Laboratory Name** .....: **Shenzhen Huatongwei International Inspection Co., Ltd**

Address .....: Keji Nan No.12 Road, Hi-tech Park, Shenzhen, China

**Applicant's name** .....: **ITALCOM GROUP**

Address .....: 1728 Coral Way, Coral Gables, Miami, Florida, United States

**Test specification** .....

Standard .....: **47 CFR FCC Part 15 Subpart B - Unintentional Radiators**  
**ANSI C63.4: 2009**

TRF Originator.....: Shenzhen Huatongwei International Inspection CO., Ltd

Master TRF.....: Dated 2006-06

**Shenzhen Huatongwei International Inspection Co., Ltd. All rights reserved.**

This publication may be reproduced in whole or in part for non-commercial purposes as long as the Shenzhen Huatongwei International Inspection Co., Ltd is acknowledged as copyright owner and source of the material. Shenzhen Huatongwei International Inspection Co., Ltd takes no responsibility for and will not assume liability for damages resulting from the reader's interpretation of the reproduced material due to its placement and context.

**Test item description** .....: mobile phone

Trade Mark .....: NYX

Model/Type reference.....: ZEUZ-HD

Listed Models .....: /

**Manufacturer** .....: **ITALCOM GROUP**

Rating .....: DC 3.70V

Hardware version .....: MT6582\_K28\_ZeuzHD

Software version .....: ZEUZ\_HD\_AMXNYX\_V001R

Android version .....: 4.2.2

Result.....: **PASS**

**T E S T   R E P O R T**

<b>Test Report No. :</b>	<b>TRE1401002106</b>	Jan 15, 2014
		Date of issue

Equipment under Test : mobile Phone

Model /Type : ZEUZ-HD

Listed Models : /

**Applicant** : **ITALCOM GROUP**

Address : 1728 Coral Way,Coral Gables,Miami,Florida,United States

**Manufacturer** : **ITALCOM GROUP**

Address : 1728 Coral Way,Coral Gables,Miami,Florida,United States

<b>Test Result</b>	<b>PASS</b>
--------------------	-------------

The test report merely corresponds to the test sample.

It is not permitted to copy extracts of these test result without the written permission of the test laboratory.

## Contents

<b>1.</b>	<b><u>TEST STANDARDS</u></b> .....	<b>4</b>
<b>2.</b>	<b><u>SUMMARY</u></b> .....	<b>5</b>
2.1.	General Remarks	5
2.2.	Product Description	5
2.3.	Equipment Under Test	5
2.4.	EUT operation mode	6
2.5.	Related Submittal(s) / Grant (s)	6
2.6.	Internal Identification of AE used during the test	6
2.7.	Modifications	6
2.8.	EUT configuration	6
2.9.	Configuration of Tested System	6
2.10.	NOTE	7
<b>3.</b>	<b><u>TEST ENVIRONMENT</u></b> .....	<b>8</b>
3.1.	Address of the test laboratory	8
3.2.	Test Facility	8
3.3.	Environmental conditions	9
3.4.	Statement of the measurement uncertainty	9
3.5.	Equipments Used during the Test	9
<b>4.</b>	<b><u>TEST CONDITIONS AND RESULTS</u></b> .....	<b>10</b>
4.1.	Conducted Emissions Test	10
4.2.	Radiated Emission Test	12
<b>5.</b>	<b><u>TEST SETUP PHOTOS OF THE EUT</u></b> .....	<b>16</b>
<b>6.</b>	<b><u>EXTERNAL AND INTERNAL PHOTOS OF THE EUT</u></b> .....	<b>17</b>

## 1. TEST STANDARDS

The tests were performed according to following standards:

[47 CFR FCC Part 15 Subpart B](#) - Unintentional Radiators

[ANSI C63.4: 2009](#) – American National Standard for Methods of Measurement of Radio-Noise Emissions from Low-Voltage Electrical and Electronic Equipment in the Range of 9 kHz to 40GHz

## 2. SUMMARY

### 2.1. General Remarks

Date of receipt of test sample	:	Jan 07, 2014
Testing commenced on	:	Jan 07, 2014
Testing concluded on	:	Jan 15, 2014

### 2.2. Product Description

The **ITALCOM GROUP**'s Model: ZEUZ-HD or the "EUT" as referred to in this report; more general information as follows, for more details, refer to the user's manual of the EUT.

Name of EUT	mobile phone
Model Number	ZEUZ-HD
FCC ID	YPVITALCOMZEUZ-HD
Modulation Type	QPSK for WCDMA,GMSK for GSM/GPRS/EGPRS,8PSK only supported downlink
Antenna Type	Internal
Hardware version	MT6582_K28_ZeuzHD
Software version	ZEUZ_HD_AMXNYX_V001R
Android version	4.2.2
WLAN FCC Operation frequency	IEEE 802.11b: 2412MHz—2462MHz IEEE 802.11g: 2412MHz—2462MHz IEEE 802.11n HT20: 2412MHz—2462MHz IEEE 802.11n HT40: 2422MHz—2452MHz
Bluetooth FCC Operation frequency	2402MHz-2480MHz
WLAN Modulation	IEEE 802.11b: DSSS(CCK,DQPSK,DBPSK) IEEE 802.11g: OFDM(64QAM, 16QAM, QPSK, BPSK) IEEE 802.11n HT20: OFDM (64QAM, 16QAM, QPSK,BPSK) IEEE 802.11n HT40: OFDM (64QAM, 16QAM, QPSK,BPSK)
Bluetooth Modulation	GFSK,8PSK, $\pi$ /4DQPSK
GSM/EDGE/GPRS	Supported GSM/GPRS/EDGE
WCDMA Operation Frequency Band	FDD Band II, FDD Band V
HSDPA Release Version	Release 8
HSUPA Release Version	Release 6
WCDMA Release Version	R99
Bluetooth	Supported BT v2.1+EDR and BT 4.0
Extreme temp. Tolerance	-30°C to +60°C
Extreme vol. Limits	3.40VDC to 4.20VDC (nominal: 3.70VDC)
GSM/GPRS Operation Frequency Band	GSM850/PCS1900
GSM Release Version	R99
GPRS operation mode	Class B
GPRS Multislot Class	12
EGPRS Multislot Class	12

### 2.3. Equipment Under Test

#### Power supply system utilised

Power supply voltage	:	<input type="radio"/> 120V / 60 Hz	<input type="radio"/> 115V / 60Hz
		<input type="radio"/> 12 V DC	<input type="radio"/> 24 V DC
		<input checked="" type="radio"/> Other (specified in blank below)	

DC 3.70V/DC 5V From Adapter AC 120V/60Hz

## 2.4. EUT operation mode

The EUT has been tested under typical operating condition.

## 2.5. Related Submittal(s) / Grant (s)

This submittal(s) (test report) is intended for **FCC ID: YPVITALCOMZEUZ-HD** filing to comply with the FCC Part 15, Subpart B Rules.

## 2.6. Internal Identification of AE used during the test

AE ID*	Description
AE1	Battery
AE2	Charger and USB cable

### AE1

Model: NYX1800A69X58  
 Manufacturer: ITALCOM GROUP.  
 Capacitance: 1800mAh  
 Nominal Voltage: 3.70V

### AE2:

Model: ZEUZ-HD  
 Manufacturer: ITALCOM GROUP.  
 Input: 100-240V ~ 50/60Hz 0.15A  
 Output: OUTPUT: 5.0V DC 1.0A  
 Power Cable Length: 90cm  
 Shielded       Unshielded

\*AE ID: is used to identify the test sample in the lab internally.

Note: We not used Charger when FCC Part 15B test.

## 2.7. Modifications

No modifications were implemented to meet testing criteria.

## 2.8. EUT configuration

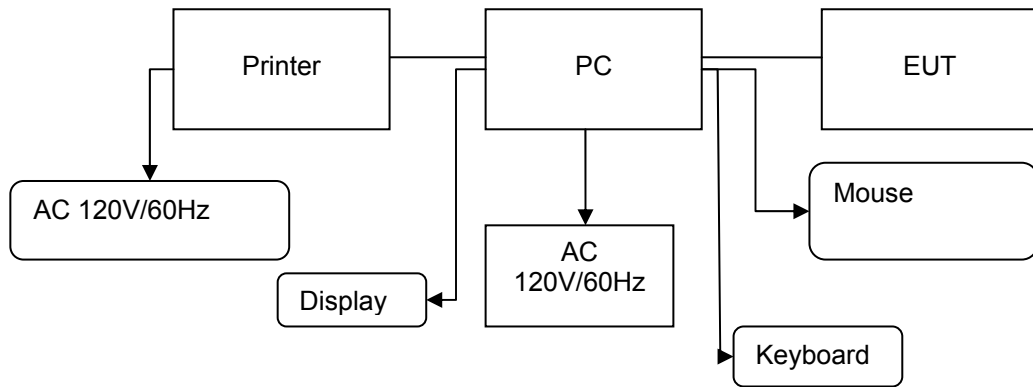
The following peripheral devices and interface cables were connected during the measurement:

- supplied by the manufacturer
- supplied by the lab

<input type="radio"/>	Power Cable	Length (m) :	/
		Shield :	/
		Detachable :	/
<input type="radio"/>	Multimeter	Manufacturer :	/
		Model No. :	/

## 2.9. Configuration of Tested System

## Configuration of Tested System



## Equipment Used in Tested System

No.	Equipment	Manufacturer	Model No.	Serial No.	Length	shielded/unshielded	Notes
1	PC	DELL	DIMENSION E520	1RNN42X	/	/	DOC
2	Printer	ESPON	C3990	C3990A	/	/	DOC
3	Mouse	DELL	MO56U OA	G0E02SY7	1.00m	unshielded	DOC
4	Display	DELL	1707FPt	CN-OFC237-71618-65G-AAKC	/	/	DOC
5	Keyboard	DELL	L100	CNRH65665890726009L	/	/	DOC
6	USB Cable (EUT to PC)	ITALCOM GROUP	USB 2.0	N/A	0.80m	unshielded	N/A
7	USB Cable (Printer to PC)	Genshuo	USB 2.0	N/A	1.20m	unshielded	N/A
8	Power line	/	/	N/A	1.00m	unshielded	N/A

## 2.10. NOTE

- The EUT is a mobile Phone WCDMA/HSUPA/HSDPA/GPRS/GSM,WLAN and Bluetooth function,The functions of the EUT listed as below:

	Test Standards	Reference Report
GSM/GPRS/EGPRS	FCC Part 22/FCC Part 24	TRE1401002101
WCDMA/HSUPA/HSDPA	FCC Part 22/FCC Part 24	TRE1401002102
WLAN	FCC Part 15 C 15.247	TRE1401002103
Bluetooth v2.1+EDR	FCC Part 15 C 15.247	TRE1401002104
Bluetooth 4.0	FCC Part 15 C 15.247	TRE1401002105
USB Port	FCC Part 15 B	TRE1401002106
SAR	FCC Part 2 §2.1093	TRE1401002107

### **3. TEST ENVIRONMENT**

#### **3.1. Address of the test laboratory**

Shenzhen Huatongwei International Inspection Co., Ltd  
Keji Nan No.12 Road, Hi-tech Park, Shenzhen, China  
Phone: 86-755-26715686 Fax: 86-755-26748089

The sites are constructed in conformance with the requirements of ANSI C63.7, ANSI C63.4 (2003) and CISPR Publication 22.

#### **3.2. Test Facility**

The test facility is recognized, certified, or accredited by the following organizations:

##### **CNAS-Lab Code: L1225**

Shenzhen Huatongwei International Inspection Co., Ltd. has been assessed and proved to be in compliance with CNAS-CL01 Accreditation Criteria for Testing and Calibration Laboratories (identical to ISO/IEC 17025: 2005 General Requirements) for the Competence of Testing and Calibration Laboratories, Date of Registration: Mar. 29, 2012. Valid time is until Feb. 28, 2015.

##### **A2LA-Lab Cert. No. 2243.01**

Shenzhen Huatongwei International Inspection Co., Ltd. EMC Laboratory has been accredited by A2LA for technical competence in the field of electrical testing, and proved to be in compliance with ISO/IEC 17025: 2005 General Requirements for the Competence of Testing and Calibration Laboratories and any additional program requirements in the identified field of testing. Valid time is until Sept. 30, 2015.

##### **FCC-Registration No.: 662850**

Shenzhen Huatongwei International Inspection Co., Ltd. EMC Laboratory has been registered and fully described in a report filed with the FCC (Federal Communications Commission). The acceptance letter from the FCC is maintained in our files. Registration 662850, Renewal date June. 01, 2012, valid time is until June. 01, 2015.

##### **IC-Registration No.: 5377A**

The 3m Alternate Test Site of Shenzhen Huatongwei International Inspection Co., Ltd has been registered by Certification and Engineering Bureau of Industry Canada for the performance of radiated measurements with Registration No. 5377 on Dec 31, 2013. Valid time is until Dec 31, 2016.

##### **ACA**

Shenzhen Huatongwei International Inspection Co., Ltd. EMC Laboratory can also perform testing for the Australian C-Tick mark as a result of our A2LA accreditation.

##### **VCCI**

The 3m Semi-anechoic chamber (12.2m×7.95m×6.7m) and Shielded Room (8m×4m×3m) of Shenzhen Huatongwei International Inspection Co., Ltd has been registered in accordance with the Regulations for Voluntary Control Measures with Registration No.: R-2484. Date of Registration: December 20, 2013. Valid time is until December 19, 2016.

Main Ports Conducted Interference Measurement of Shenzhen Huatongwei International Inspection Co., Ltd has been registered in accordance with the Regulations for Voluntary Control Measures with Registration No.: C-2726. Date of Registration: December 20, 2013. Valid time is until December 19, 2016.

##### **DNV**

Shenzhen Huatongwei International Inspection Co., Ltd. has been found to comply with the requirements of DNV towards subcontractor of EMC and safety testing services in conjunction with the EMC and Low voltage Directives and in the voluntary field. The acceptance is based on a formal quality Audit and follow-ups according to relevant parts of ISO/IEC Guide 17025 (2005), in accordance with the requirements of the DNV Laboratory Quality Manual towards subcontractors. Valid time is until Aug. 24, 2016.



### 3.3. Environmental conditions

During the measurement the environmental conditions were within the listed ranges:

Temperature:	<u>15-35 ° C</u>
Humidity:	<u>30-60 %</u>
Atmospheric pressure:	<u>950-1050mbar</u>

### 3.4. Statement of the measurement uncertainty

The data and results referenced in this document are true and accurate. The reader is cautioned that there may be errors within the calibration limits of the equipment and facilities. The measurement uncertainty was calculated for all measurements listed in this test report acc. to CISPR 16 - 4 „Specification for radio disturbance and immunity measuring apparatus and methods – Part 4: Uncertainty in EMC Measurements“ and is documented in the Shenzhen Huatongwei International Inspection Co., Ltd quality system acc. to DIN EN ISO/IEC 17025. Furthermore, component and process variability of devices similar to that tested may result in additional deviation. The manufacturer has the sole responsibility of continued compliance of the device.

Hereafter the best measurement capability for Shenzhen Huatongwei laboratory is reported:

Test	Range	Measurement Uncertainty	Notes
Radiated Emission	30~1000MHz	4.24 dB	(1)
Radiated Emission	1~18GHz	5.16 dB	(1)
Radiated Emission	18-40GHz	5.54 dB	(1)
Conducted Disturbance	0.15~30MHz	3.39 dB	(1)

- (1) This uncertainty represents an expanded uncertainty expressed at approximately the 95% confidence level using a coverage factor of k=2.

### 3.5. Equipments Used during the Test

Conducted Emission					
Item	Test Equipment	Manufacturer	Model No.	Serial No.	Cal Due
1	EMI TEST RECEIVER	Rohde & Schwarz	ESCI	100106	2014/10/25
2	ARTIFICIAL MAINS	Rohde & Schwarz	ESH2-Z5	100028	2014/10/25
3	PULSE LIMITER	Rohde & Schwarz	ESHSZ2	100044	2014/10/25
4	EMI TEST SOFTWARE	Rohde & Schwarz	ES-K1	N/A	N/A

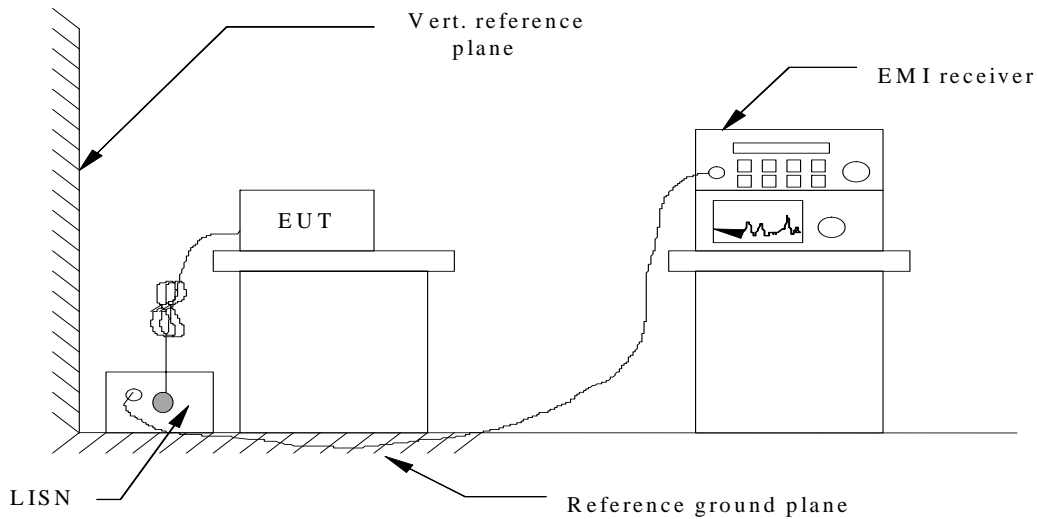
Radiated Emission					
Item	Test Equipment	Manufacturer	Model No.	Serial No.	Cal Due
1	ULTRA-BROADBAND ANTENNA	ShwarzBeck	VULB9163	538	2014/10/25
2	EMI TEST RECEIVER	Rohde & Schwarz	ESI 26	100009	2014/10/25
3	EMI TEST Software	Audix	E3	N/A	N/A
4	TURNTABLE	MATURO	TT2.0	----	N/A
5	ANTENNA MAST	MATURO	TAM-4.0-P	----	N/A
6	EMI TEST Software	Rohde & Schwarz	ESK1	N/A	N/A
7	ULTRA-BROADBAND ANTENNA	Rohde&Schwarz	HL562	100015	2014/10/25
8	Amplifer	Sonoma	310N	E009-13	2014/10/25
9	JS amplifer	Rohde & Schwarz	JS4-00101800-28-5A	F201504	2014/10/25
11	TURNTABLE	ETS	2088	2149	N/A
12	ANTENNA MAST	ETS	2075	2346	N/A
13	HORN ANTENNA	Rohde&Schwarz	HF906	100039	2014/10/25

The calibration interval was one year.

## 4. TEST CONDITIONS AND RESULTS

### 4.1. Conducted Emissions Test

#### TEST CONFIGURATION



#### TEST PROCEDURE

1. The equipment was set up as per the test configuration to simulate typical actual usage per the user's manual. The EUT is a tabletop system; a wooden table with a height of 0.8 meters is used and is placed on the ground plane as per ANSI C63.4-2009.
2. Support equipment, if needed, was placed as per ANSI C63.4-2009.
3. All I/O cables were positioned to simulate typical actual usage as per ANSI C63.4-2009.
4. The EUT received DC 5.0 from USB powered from AC120V/60Hz power through a Line Impedance Stabilization Network (LISN) which supplied power source and was grounded to the ground plane.
5. All support equipments received AC power from a second LISN, if any.
6. The EUT test program was started. Emissions were measured on each current carrying line of the EUT using a spectrum Analyzer / Receiver connected to the LISN powering the EUT. The LISN has two monitoring points: Line 1 (Hot Side) and Line 2 (Neutral Side). Two scans were taken: one with Line 1 connected to Analyzer / Receiver and Line 2 connected to a 50 ohm load; the second scan had Line 1 connected to a 50 ohm load and Line 2 connected to the Analyzer / Receiver.
7. Analyzer / Receiver scanned from 150 KHz to 30MHz for emissions in each of the test modes.
8. During the above scans, the emissions were maximized by cable manipulation.

#### CONDUCTED POWER LINE EMISSION LIMIT

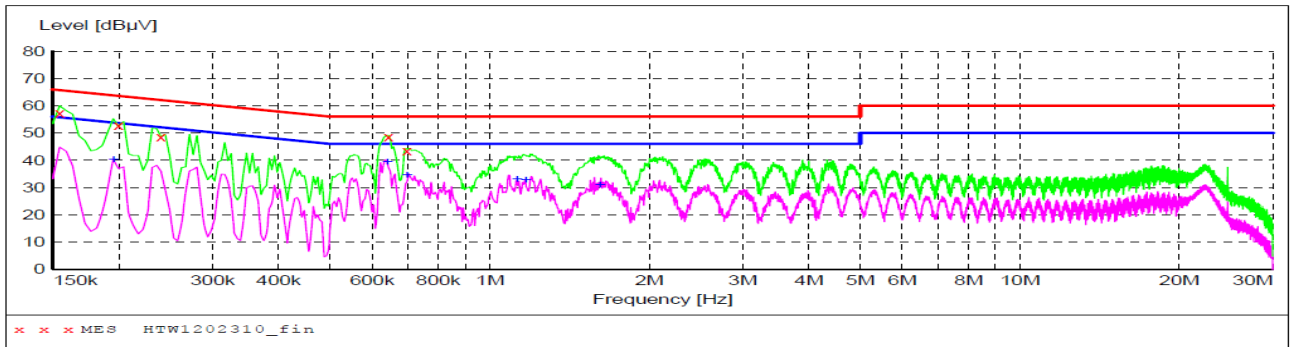
For unintentional device, according to § 15.107(a) Line Conducted Emission Limits is as following :

Frequency (MHz)	Maximum RF Line Voltage (dBµV)			
	CLASS A		CLASS B	
	Q.P.	Ave.	Q.P.	Ave.
0.15 - 0.50	79	66	66-56*	56-46*
0.50 - 5.00	73	60	56	46
5.00 - 30.0	73	60	60	50

\* Decreasing linearly with the logarithm of the frequency

#### TEST RESULTS

**SCAN TABLE: "Voltage (9K-30M)FIN"**  
 Short Description: 150K-30M Voltage



**MEASUREMENT RESULT: "HTW1202310\_fin"**

1/8/2014 2:26PM

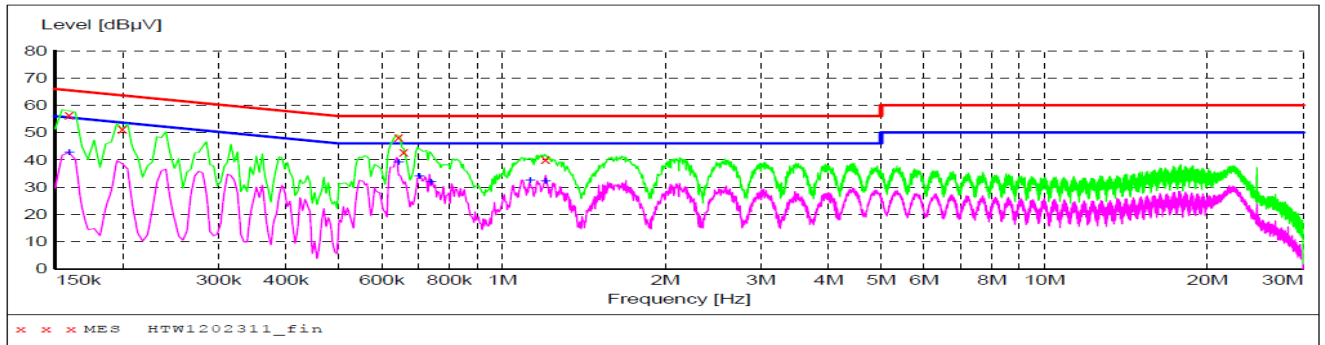
Frequency MHz	Level dBµV	Transd dB	Limit dBµV	Margin dB	Detector	Line	PE
0.154500	57.40	10.3	66	8.4	QP	N	GND
0.199500	52.70	10.4	64	10.9	QP	N	GND
0.240000	48.70	10.5	62	13.4	QP	N	GND
0.645000	48.60	10.3	56	7.4	QP	N	GND
0.699000	43.60	10.3	56	12.4	QP	N	GND

**MEASUREMENT RESULT: "HTW1202310\_fin2"**

1/8/2014 2:26PM

Frequency MHz	Level dBµV	Transd dB	Limit dBµV	Margin dB	Detector	Line	PE
0.195000	40.30	10.4	54	13.5	AV	N	GND
0.640500	39.30	10.3	46	6.7	AV	N	GND
0.699000	34.30	10.3	46	11.7	AV	N	GND
1.126500	33.00	10.3	46	13.0	AV	N	GND
1.171500	32.70	10.3	46	13.3	AV	N	GND
1.612500	30.90	10.3	46	15.1	AV	N	GND

**SCAN TABLE: "Voltage (9K-30M)FIN"**  
 Short Description: 150K-30M Voltage



**MEASUREMENT RESULT: "HTW1202311\_fin"**

1/8/2014 2:31PM

Frequency MHz	Level dBµV	Transd dB	Limit dBµV	Margin dB	Detector	Line	PE
0.159000	56.40	10.3	66	9.1	QP	L1	GND
0.199500	51.40	10.4	64	12.2	QP	L1	GND
0.645000	48.30	10.3	56	7.7	QP	L1	GND
0.658500	43.00	10.3	56	13.0	QP	L1	GND
1.203000	40.20	10.3	56	15.8	QP	L1	GND

**MEASUREMENT RESULT: "HTW1202311\_fin2"**

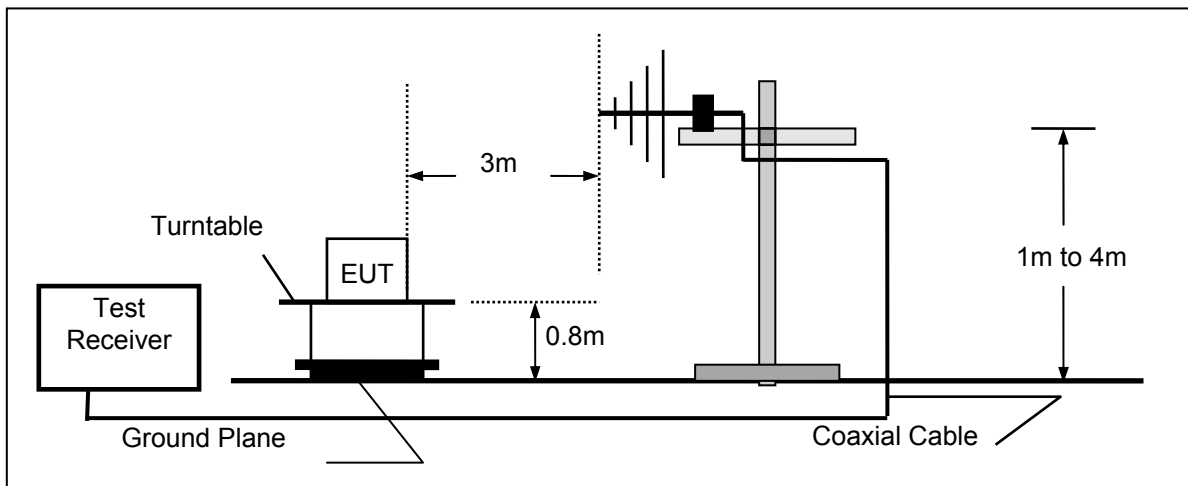
1/8/2014 2:31PM

Frequency MHz	Level dBµV	Transd dB	Limit dBµV	Margin dB	Detector	Line	PE
0.159000	42.50	10.3	56	13.0	AV	L1	GND
0.645000	38.90	10.3	46	7.1	AV	L1	GND
0.703500	33.70	10.3	46	12.3	AV	L1	GND
0.739500	31.80	10.2	46	14.2	AV	L1	GND
1.126500	32.30	10.3	46	13.7	AV	L1	GND
1.203000	32.10	10.3	46	13.9	AV	L1	GND

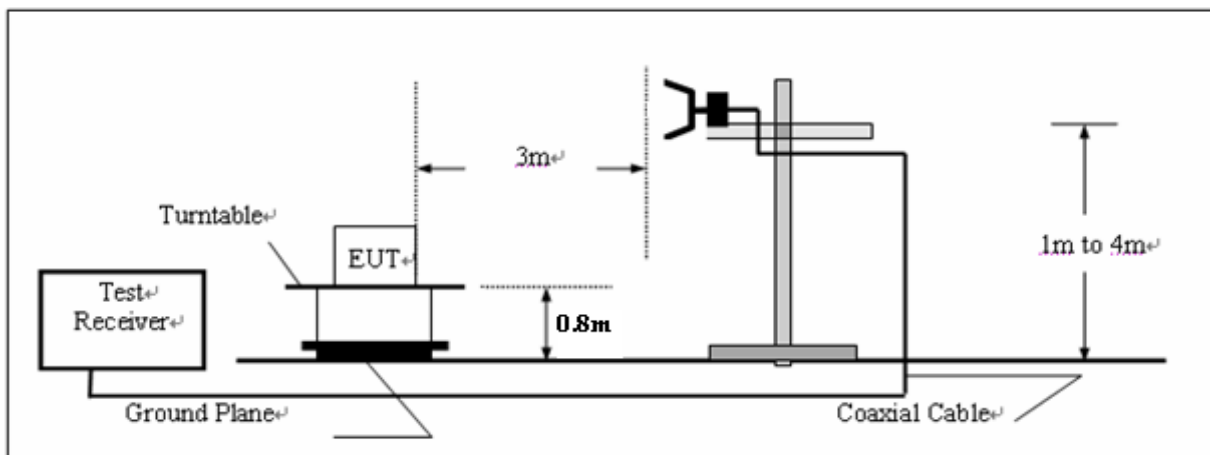
## 4.2. Radiated Emission Test

### TEST CONFIGURATION

- a) Radiated Emission Test Set-Up, Frequency below 1000MHz



- b) Radiated Emission Test Set-Up, Frequency above 1000MHz



### TEST PROCEDURE

1. The EUT is placed on a turntable, which is 0.8m above ground plane.
2. The turntable shall be rotated for 360 degrees to determine the position of maximum emission level.
3. EUT is set 3m away from the receiving antenna, which is varied from 1m to 4m to find out the highest emissions.
4. Maximum procedure was performed on the six highest emissions to ensure EUT compliance.
5. And also, each emission was to be maximized by changing the polarization of receiving antenna both horizontal and vertical.
6. Repeat above procedures until the measurements for all frequencies are complete.
7. The maximum operation frequency was 512MHz, the radiated emission test frequency from 30MHz to 18GHz.

**FIELD STRENGTH CALCULATION**

The field strength is calculated by adding the Antenna Factor and Cable Factor and subtracting the Amplifier Gain and Duty Cycle Correction Factor (if any) from the measured reading. The basic equation with a sample calculation is as follows:

$$FS = RA + AF + CL - AG$$

Where FS = Field Strength	CL = Cable Attenuation Factor (Cable Loss)
RA = Reading Amplitude	AG = Amplifier Gain
AF = Antenna Factor	

For example

Frequency (MHz)	FS (dB $\mu$ V/m)	RA (dB $\mu$ V/m)	AF (dB)	CL (dB)	AG (dB)	Transd (dB)
300.00	40	58.1	12.2	1.6	31.90	-18.1

$$\text{Transd} = \text{AF} + \text{CL} - \text{AG}$$

**RADIATION LIMIT**

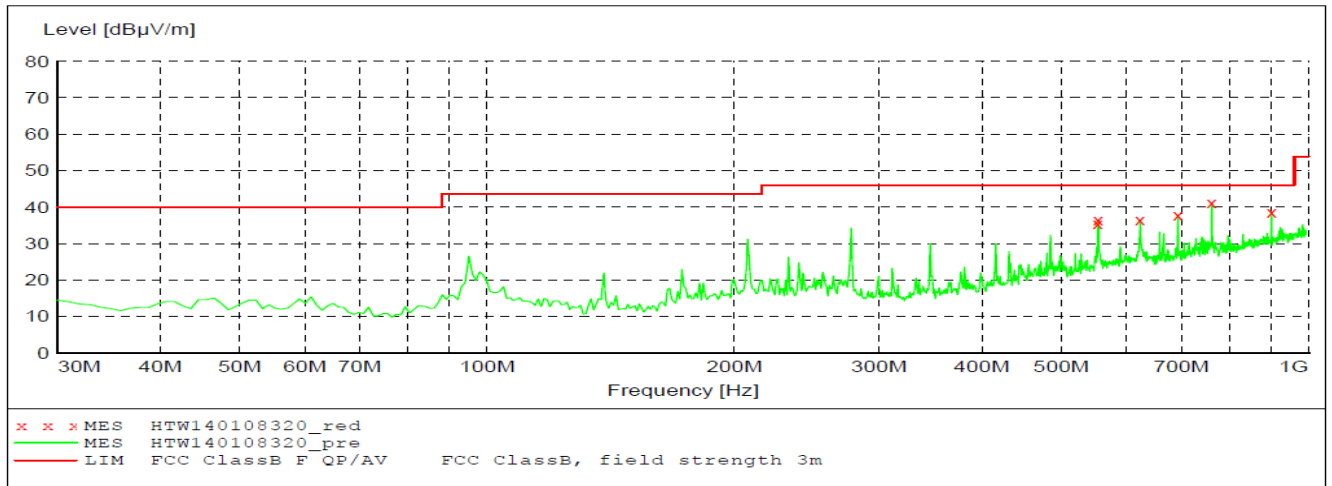
For unintentional device, according to § 15.109(a), except for Class A digital devices, the field strength of radiated emissions from unintentional radiators at a distance of 3 meters shall not exceed the following values:

Frequency (MHz)	Distance (Meters)	Radiated (dB $\mu$ V/m)	Radiated ( $\mu$ V/m)
30-88	3	40.0	100
88-216	3	43.5	150
216-960	3	46.0	200
Above 960	3	54.0	500

**TEST RESULTS**

**SWEEP TABLE: "test (30M-1G)"**

Short Description: Field Strength  
 Start Stop Detector Meas. IF Transducer  
 Frequency Frequency Time Bandw.  
 30.0 MHz 1.1 GHz MaxPeak Coupled 100 kHz VULB9163



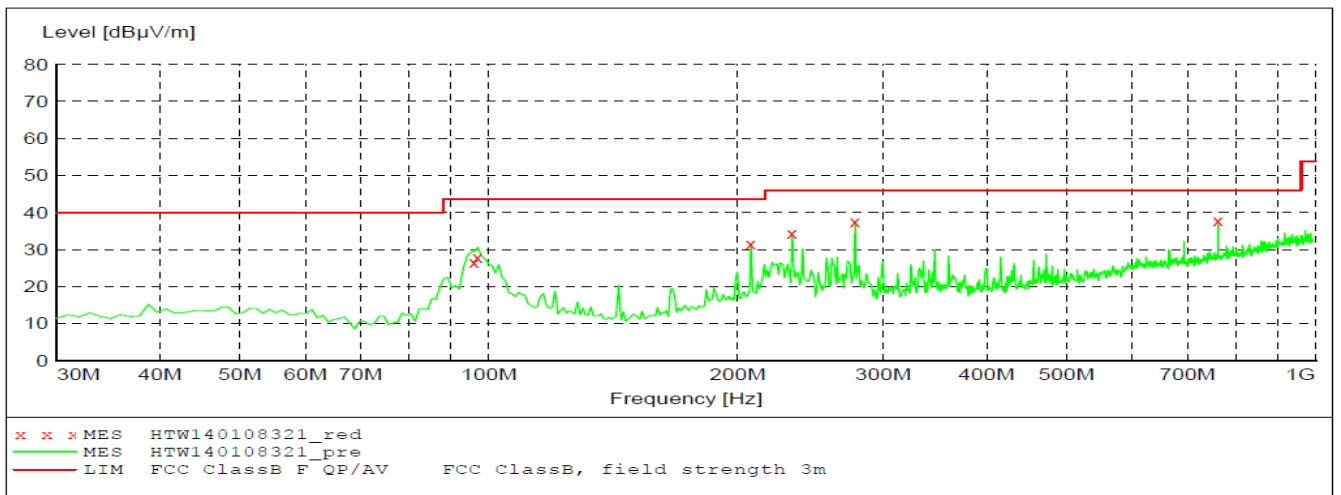
**MEASUREMENT RESULT: "HTW140108320\_red"**

1/8/2014 3:06PM

Frequency MHz	Level dBµV/m	Transd dB	Limit dBµV/m	Margin dB	Det.	Height cm	Azimuth deg	Polarization
553.800000	35.50	-5.3	46.0	10.5	Q P	100.0	156.00	VERTICAL
554.770000	36.50	-5.3	46.0	9.5	Q P	100.0	156.00	VERTICAL
623.640000	36.60	-2.7	46.0	9.4	Q P	100.0	156.00	VERTICAL
693.480000	37.90	-1.8	46.0	8.1	Q P	100.0	126.00	VERTICAL
762.350000	41.20	-0.2	46.0	4.8	Q P	100.0	156.00	VERTICAL
901.060000	38.60	2.5	46.0	7.4	Q P	100.0	111.00	VERTICAL

**SWEEP TABLE: "test (30M-1G)"**

Short Description: Field Strength  
 Start Stop Detector Meas. IF Transducer  
 Frequency Frequency Time Bandw.  
 30.0 MHz 1.1 GHz MaxPeak Coupled 100 kHz VULB9163

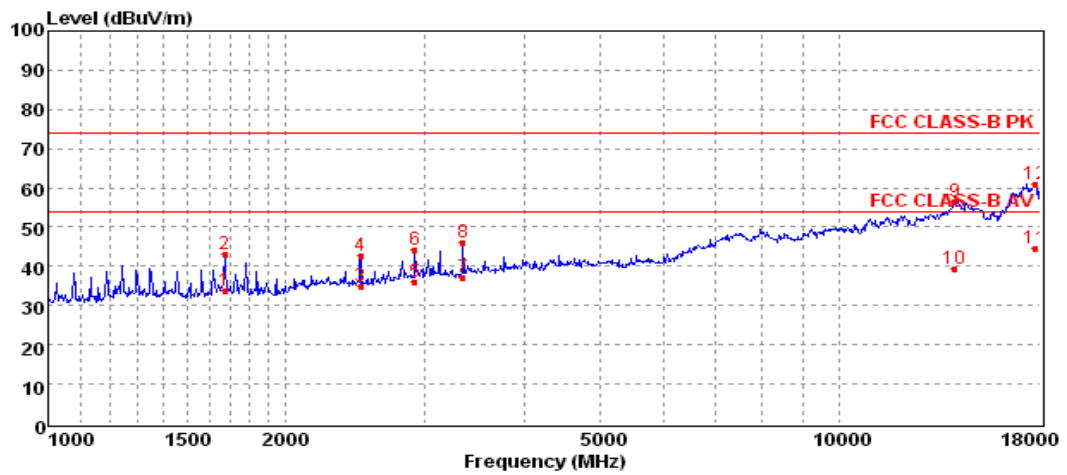


**MEASUREMENT RESULT: "HTW140108321\_red"**

1/8/2014 3:09PM

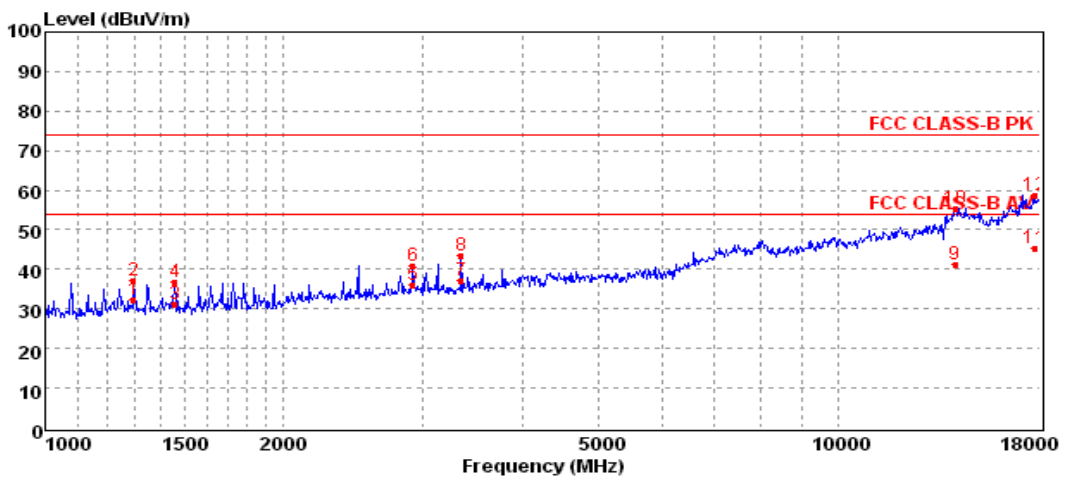
Frequency MHz	Level dBµV/m	Transd dB	Limit dBµV/m	Margin dB	Det.	Height cm	Azimuth deg	Polarization
95.960000	26.40	-14.2	43.5	17.1	Q P	300.0	156.00	HORIZONTAL
96.930000	28.70	-14.1	43.5	14.8	Q P	300.0	360.00	HORIZONTAL
207.510000	31.60	-14.9	43.5	11.9	Q P	100.0	51.00	HORIZONTAL
232.730000	34.30	-15.2	46.0	11.7	Q P	100.0	82.00	HORIZONTAL
277.350000	37.60	-14.7	46.0	8.4	Q P	100.0	51.00	HORIZONTAL
762.350000	37.90	-0.2	46.0	8.1	Q P	100.0	51.00	HORIZONTAL

Data: 7



Mark	Frequency MHz	Level dBuV/m	Factor dB	Reading dBuV/m	Limit dBuV/m	Margin dB	Polarization	Det.
1	1672.78	33.87	-8.39	42.26	54.00	20.13	HORIZONTAL	Average
2	1672.78	43.17	-8.39	51.56	74.00	30.83	HORIZONTAL	Peak
3	2485.48	34.91	-5.22	40.13	54.00	19.09	HORIZONTAL	Average
4	2485.48	42.68	-5.22	47.90	74.00	31.32	HORIZONTAL	Peak
5	2913.74	36.17	-3.35	39.52	54.00	17.83	HORIZONTAL	Average
6	2913.74	44.30	-3.35	47.65	74.00	29.70	HORIZONTAL	Peak
7	3347.37	37.31	-2.95	40.26	54.00	16.69	HORIZONTAL	Average
8	3347.37	46.16	-2.95	49.11	74.00	27.84	HORIZONTAL	Peak
9	14038.45	56.56	19.42	37.14	74.00	17.44	HORIZONTAL	Peak
10	14038.45	39.54	19.42	20.12	54.00	14.46	HORIZONTAL	Average
11	17690.53	44.54	24.17	20.37	54.00	9.46	HORIZONTAL	Average
12	17690.53	61.06	24.17	36.89	74.00	12.94	HORIZONTAL	Peak

Data: 11



Mark	Frequency MHz	Level dBuV/m	Factor dB	Reading dBuV/m	Limit dBuV/m	Margin dB	Polarization	Det.
1	1293.36	32.20	-8.01	40.21	54.00	21.80	VERTICAL	Average
2	1293.36	37.12	-8.01	45.13	74.00	36.88	VERTICAL	Peak
3	1456.08	31.29	-8.24	39.53	54.00	22.71	VERTICAL	Average
4	1456.08	36.95	-8.24	45.19	74.00	37.05	VERTICAL	Peak
5	2913.74	36.22	-3.35	39.57	54.00	17.78	VERTICAL	Average
6	2913.74	40.81	-3.35	44.16	74.00	33.19	VERTICAL	Peak
7	3347.37	37.31	-2.95	40.26	54.00	16.69	VERTICAL	Average
8	3347.37	43.51	-2.95	46.46	74.00	30.49	VERTICAL	Peak
9	14079.08	41.31	19.11	22.20	54.00	12.69	VERTICAL	Average
10	14079.08	55.55	19.11	36.44	74.00	18.45	VERTICAL	Peak
11	17690.53	45.43	24.17	21.26	54.00	8.57	VERTICAL	Average
12	17690.53	58.86	24.17	34.69	74.00	15.14	VERTICAL	Peak

## 5. Test Setup Photos of the EUT

Conducted Emission (AC Mains)



Radiated Emission (30MHz-1GHz)



Radiated Emission (1GHz-6GHz)





## 6. External and Internal Photos of the EUT

### External photos of the EUT

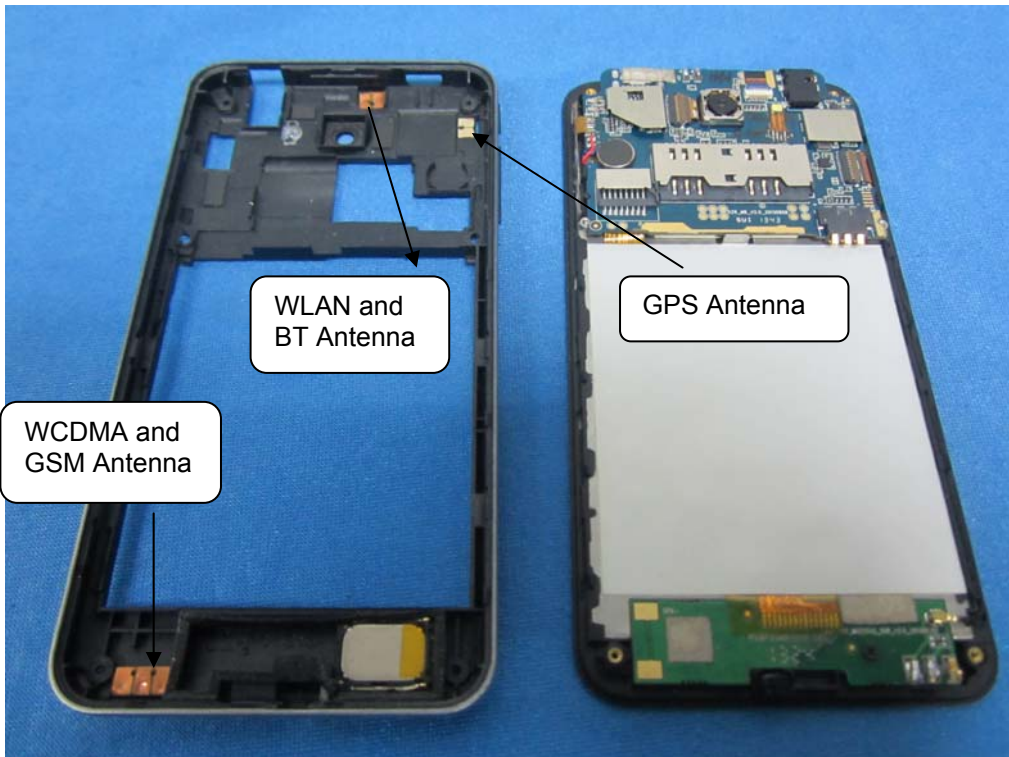




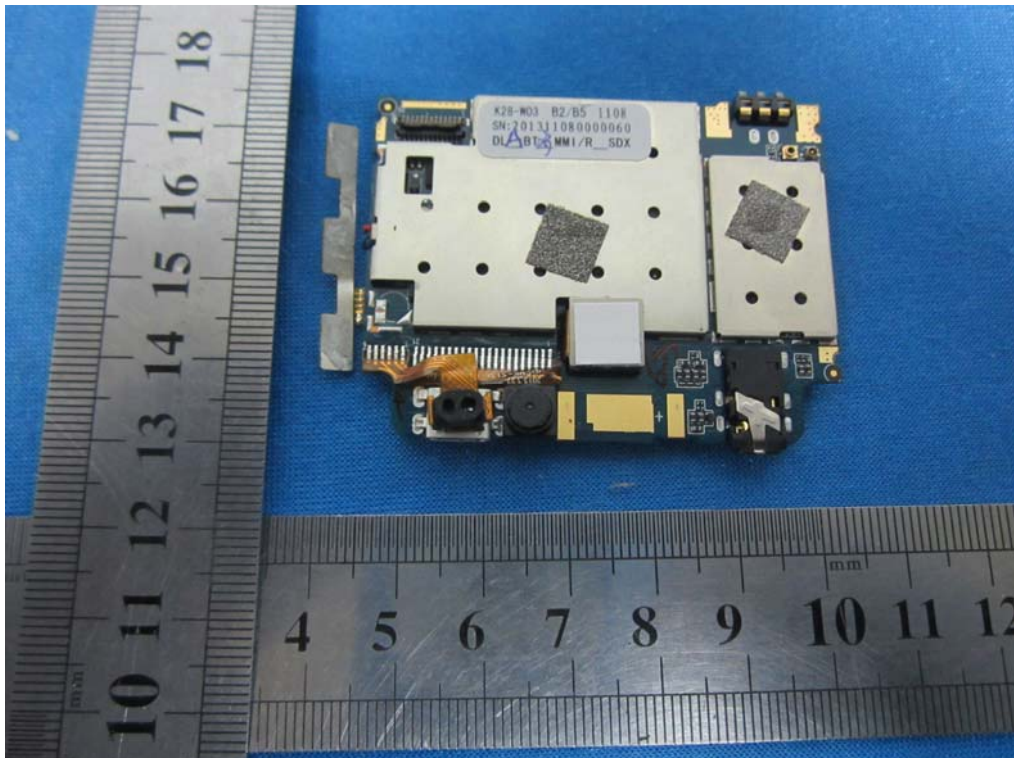
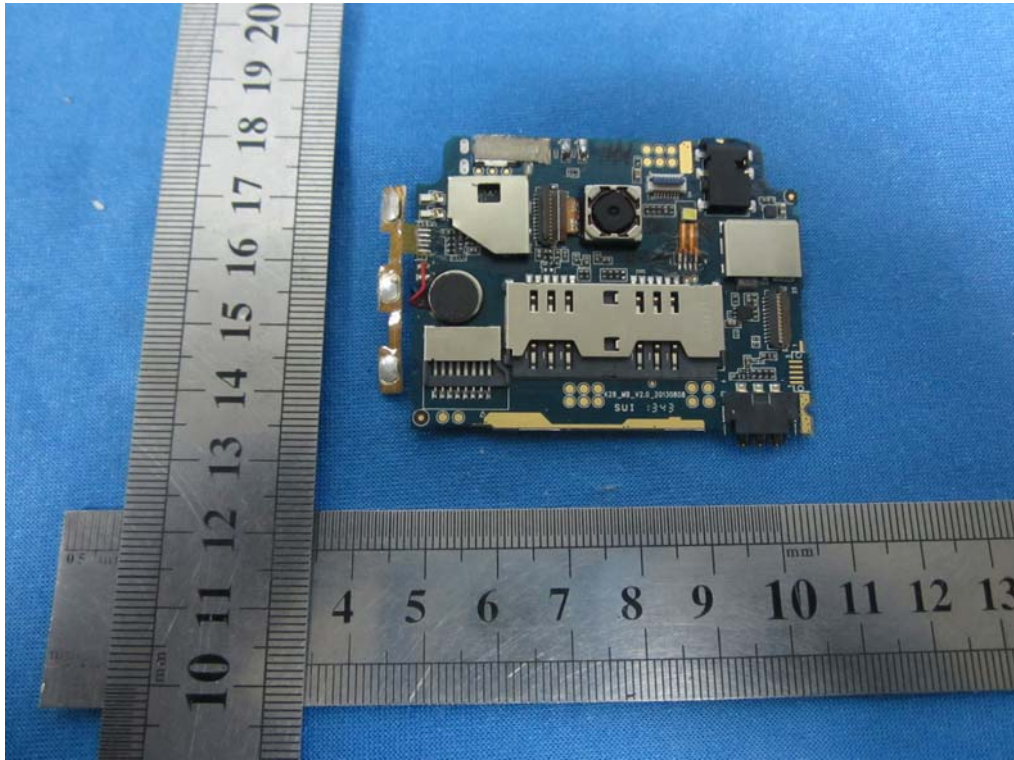


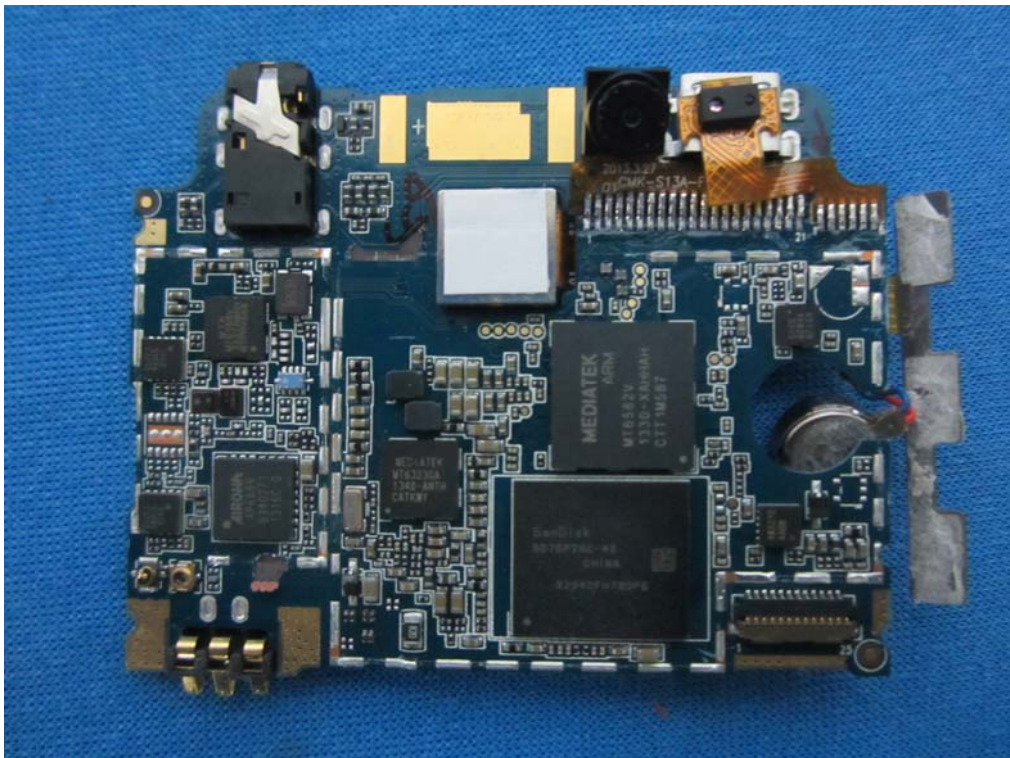
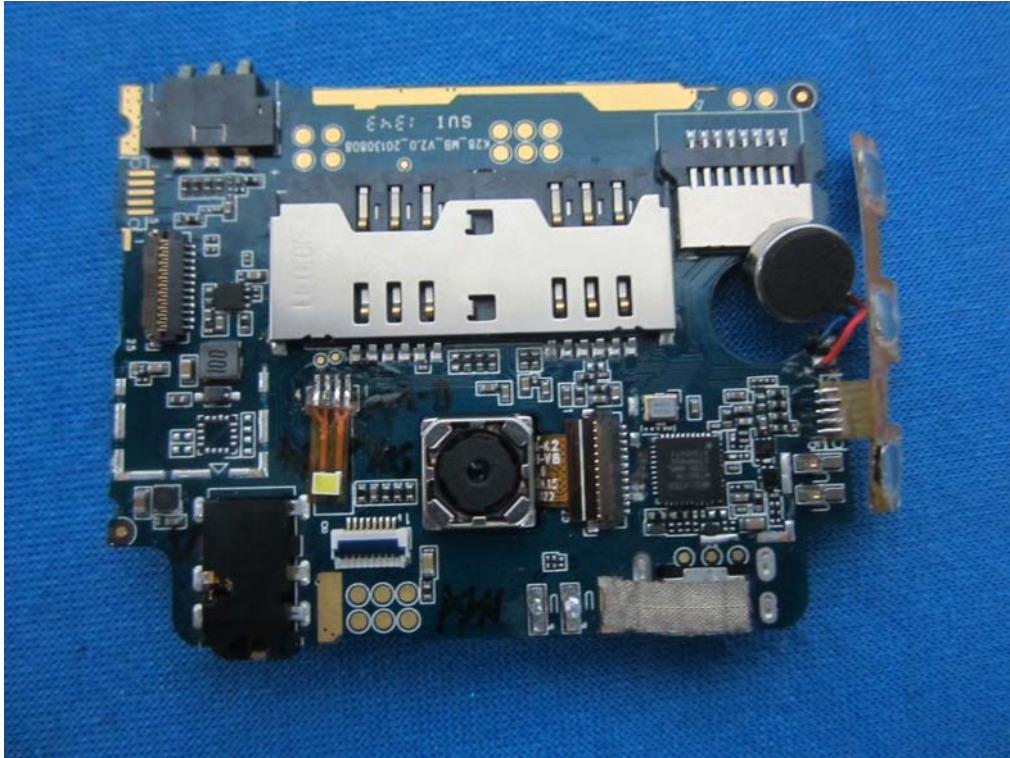


**Internal photos of the EUT**









.....End of Report.....