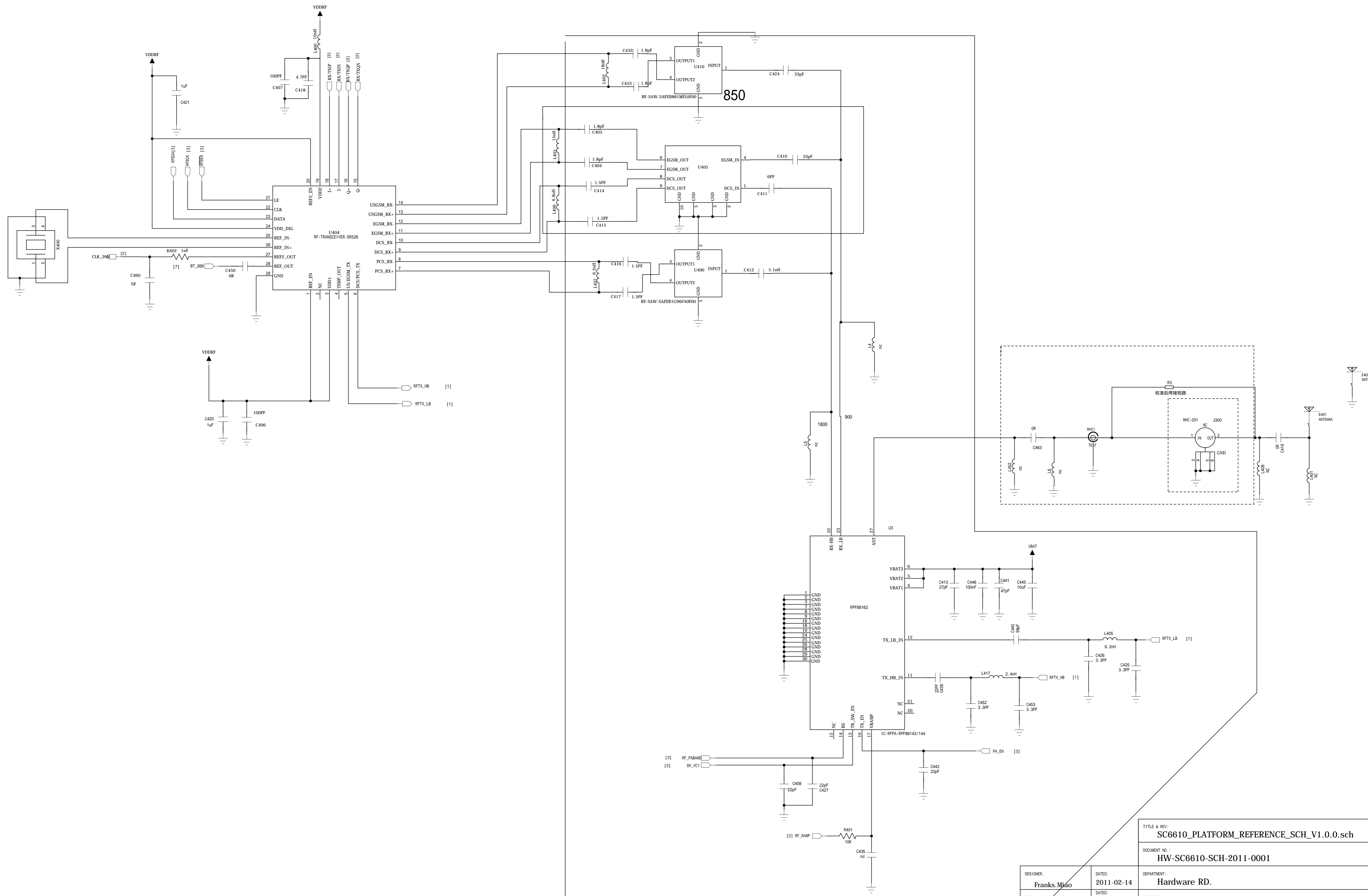


REVISION RECORD			
LTR	ECO NO.	APPROVED	DATE

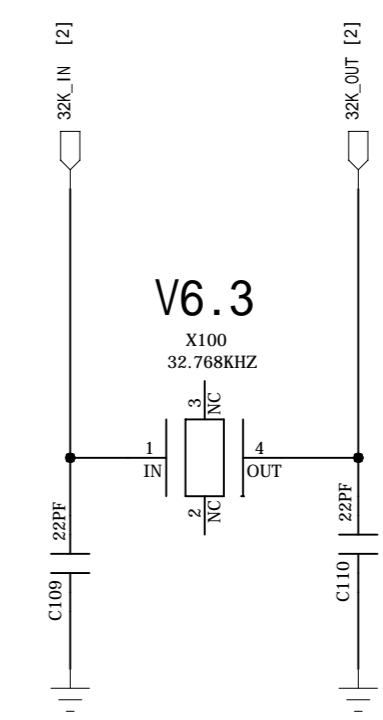
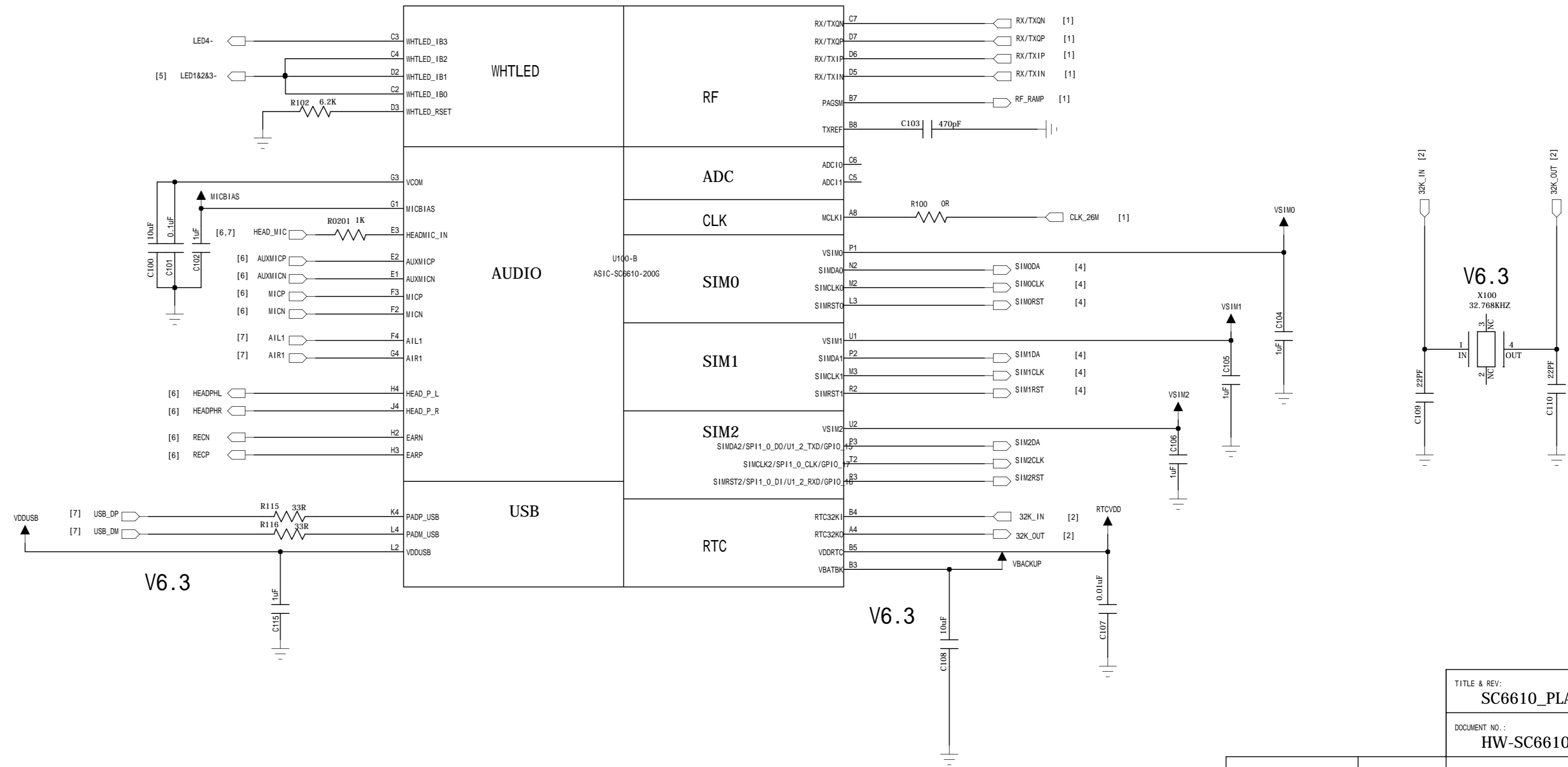
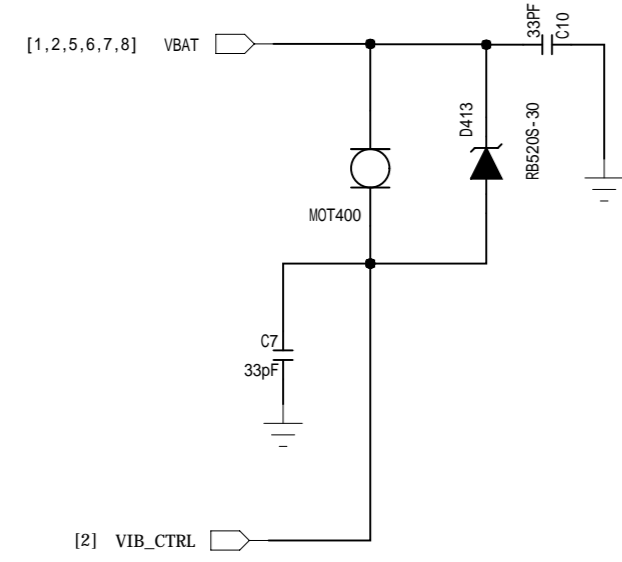
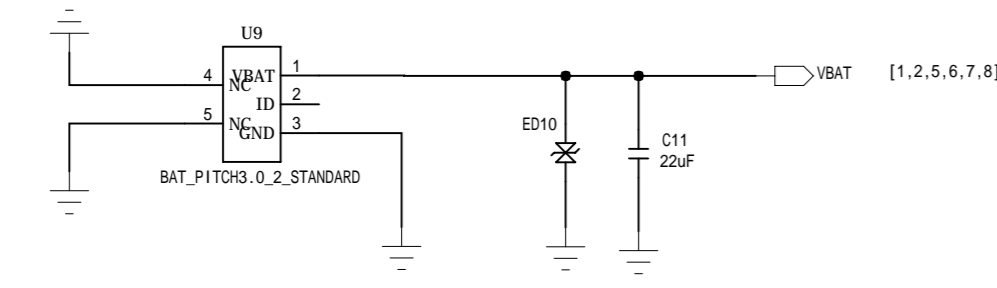
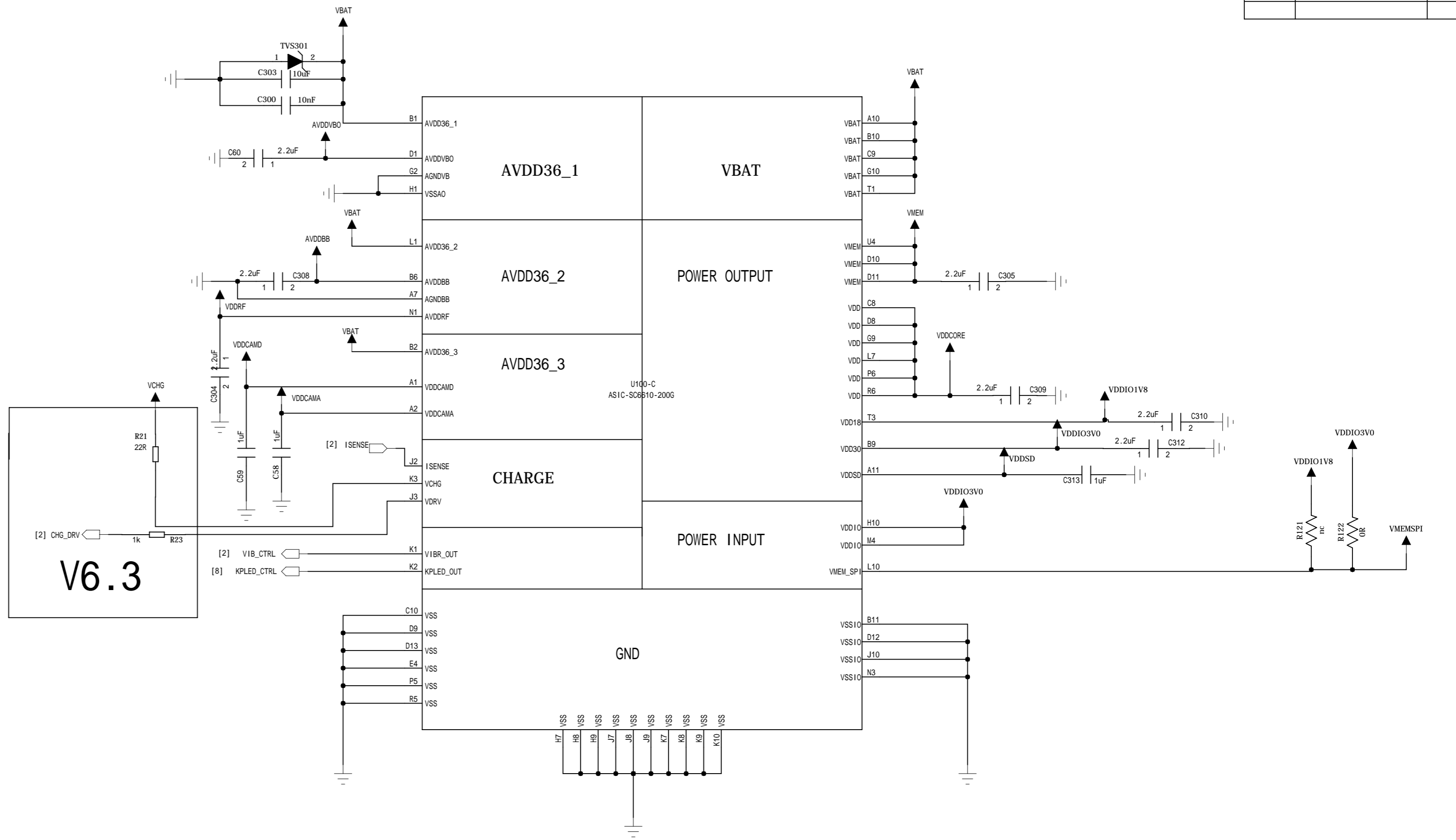
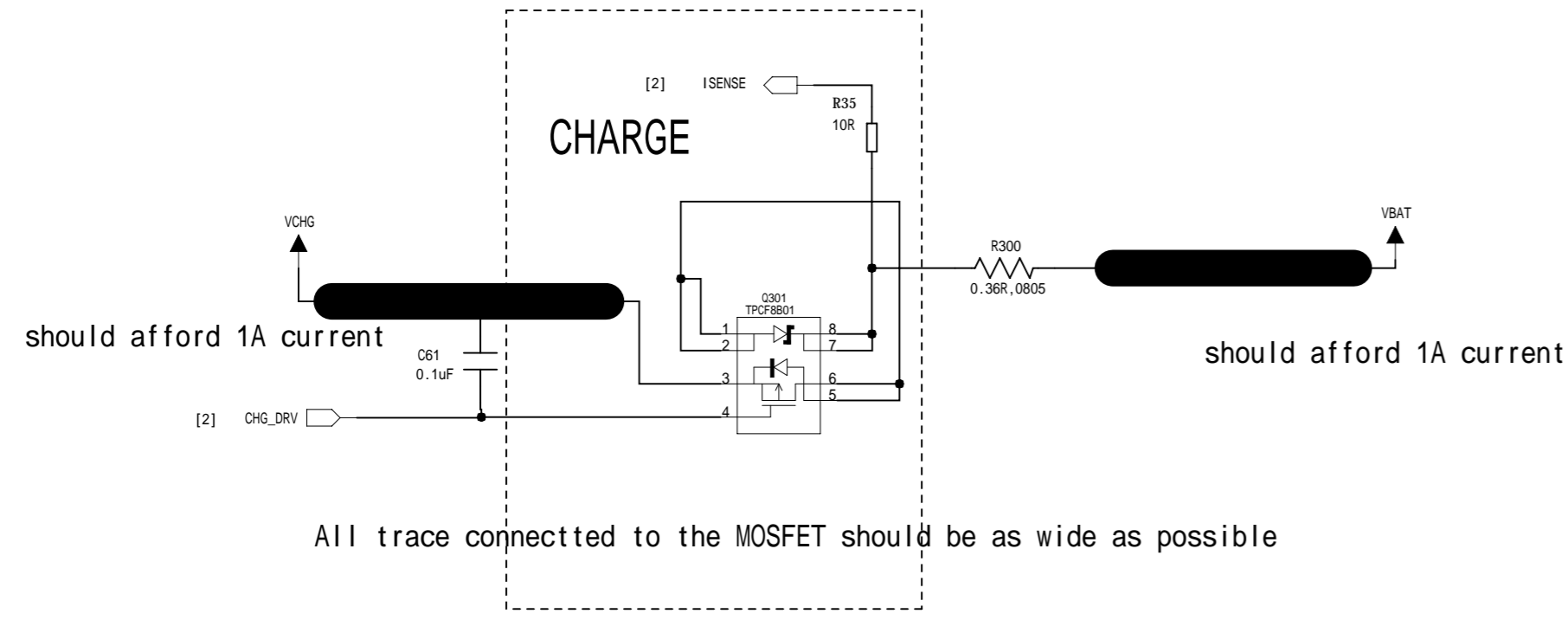


TITLE & REV:
SC6610_PLATFORM_REFERENCE_SCH_V1.0.0.sch

DOCUMENT NO.:
HW-SC6610-SCH-2011-0001

DESIGNER: Franks.Miao	DATED: 2011-02-14	DEPARTMENT: Hardware RD.
EDA: Robin.Zhang	DATED: 2011-02-14	COMPANY:
APPROVED: Guobing.Luan	DATED: 2011-02-14	

REVISION RECORD			
LTR	ECC NO.	APPROVED:	DATE:

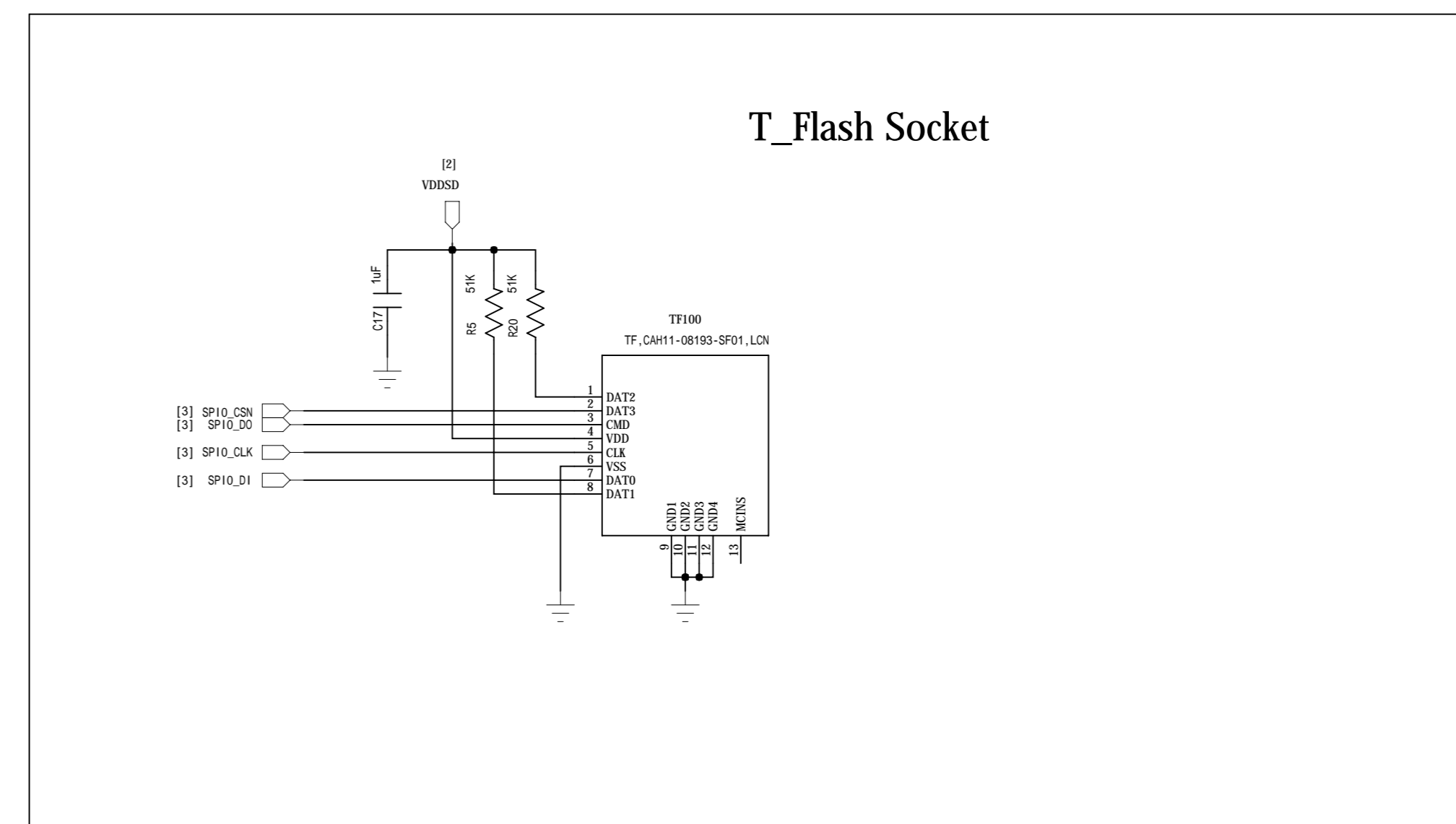
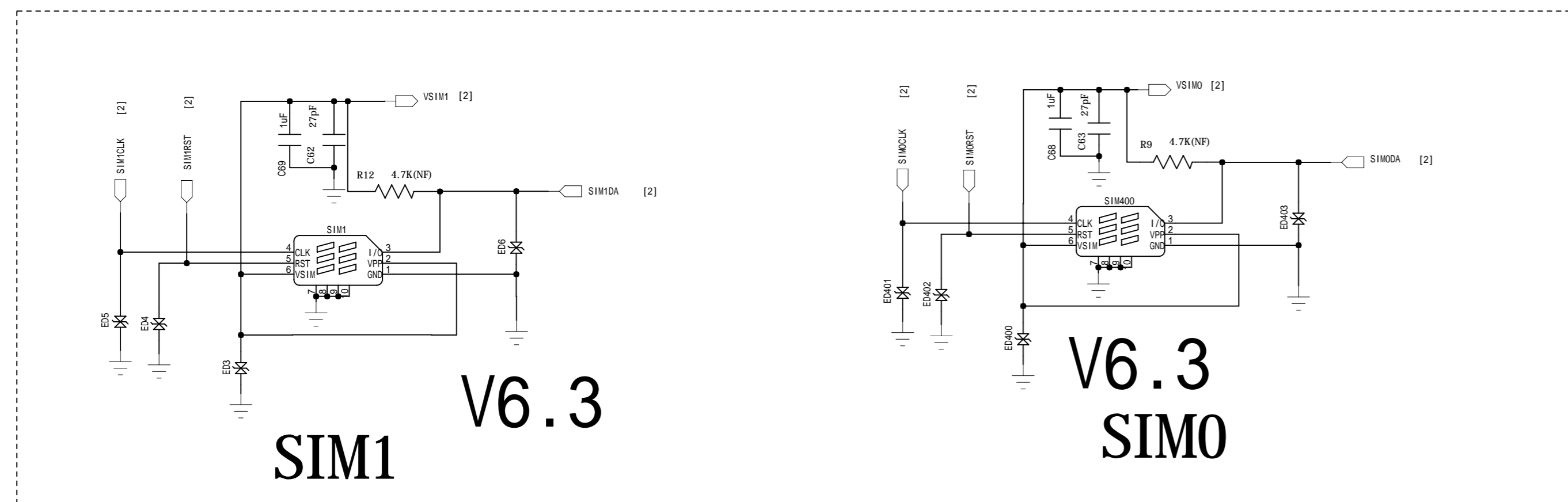


TITLE & REV:
SC6610_PLATFORM_REFERENCE_SCH_V1.0.0.sch

DOCUMENT NO.:
HW-SC6610-SCH-2011-0001

DESIGNER: Franks.Miao	DATED: 2011-02-14	DEPARTMENT: Hardware RD.
EQA: Robin.Zhang	DATED: 2011-02-14	COMPANY:
APPROVED: Guobing.Luan	DATED: 2011-02-14	

REVISION RECORD			
LTR	ECO NO.	APPROVED:	DATE:

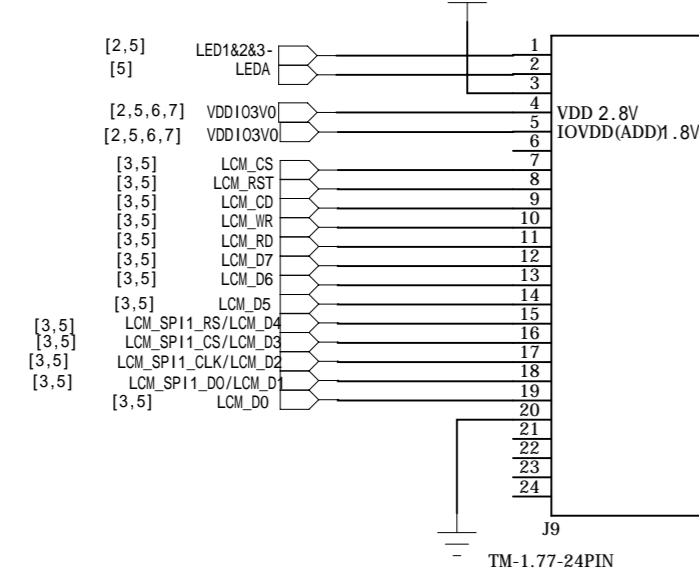


TITLE & REV:
SC6600L_SP6601L_SCH_V1.0.3

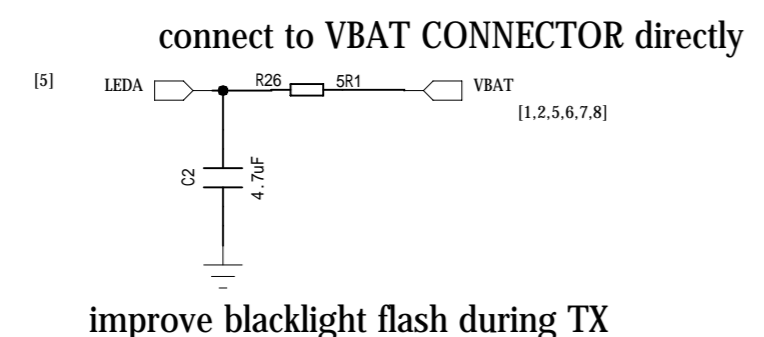
DOCUMENT NO.:

DESIGNER:	DATED:	DEPARTMENT: Hardware RD.
EGP:	DATED:	COMPANY:
APPROVED:	DATED:	

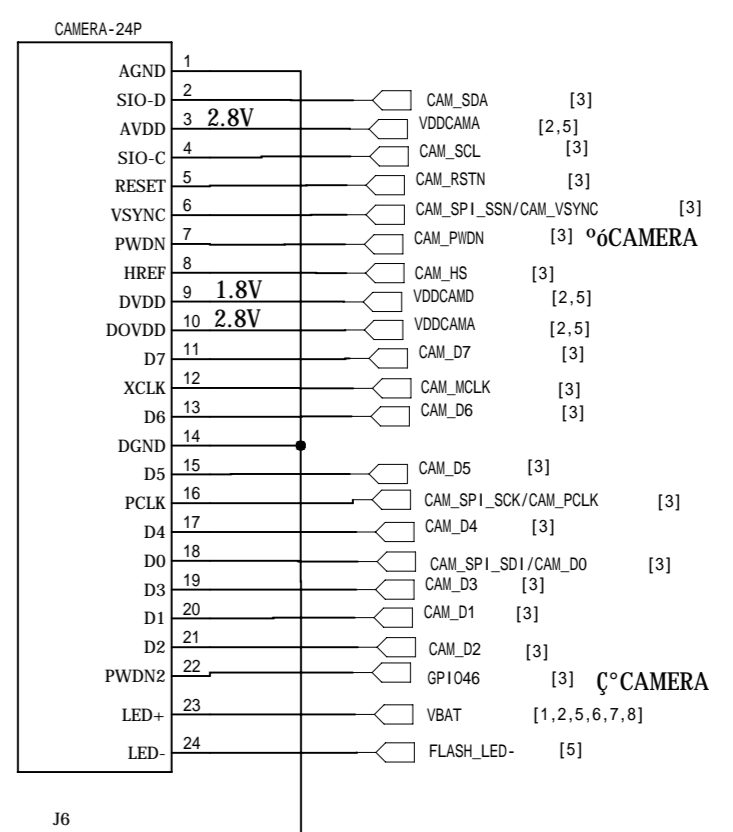
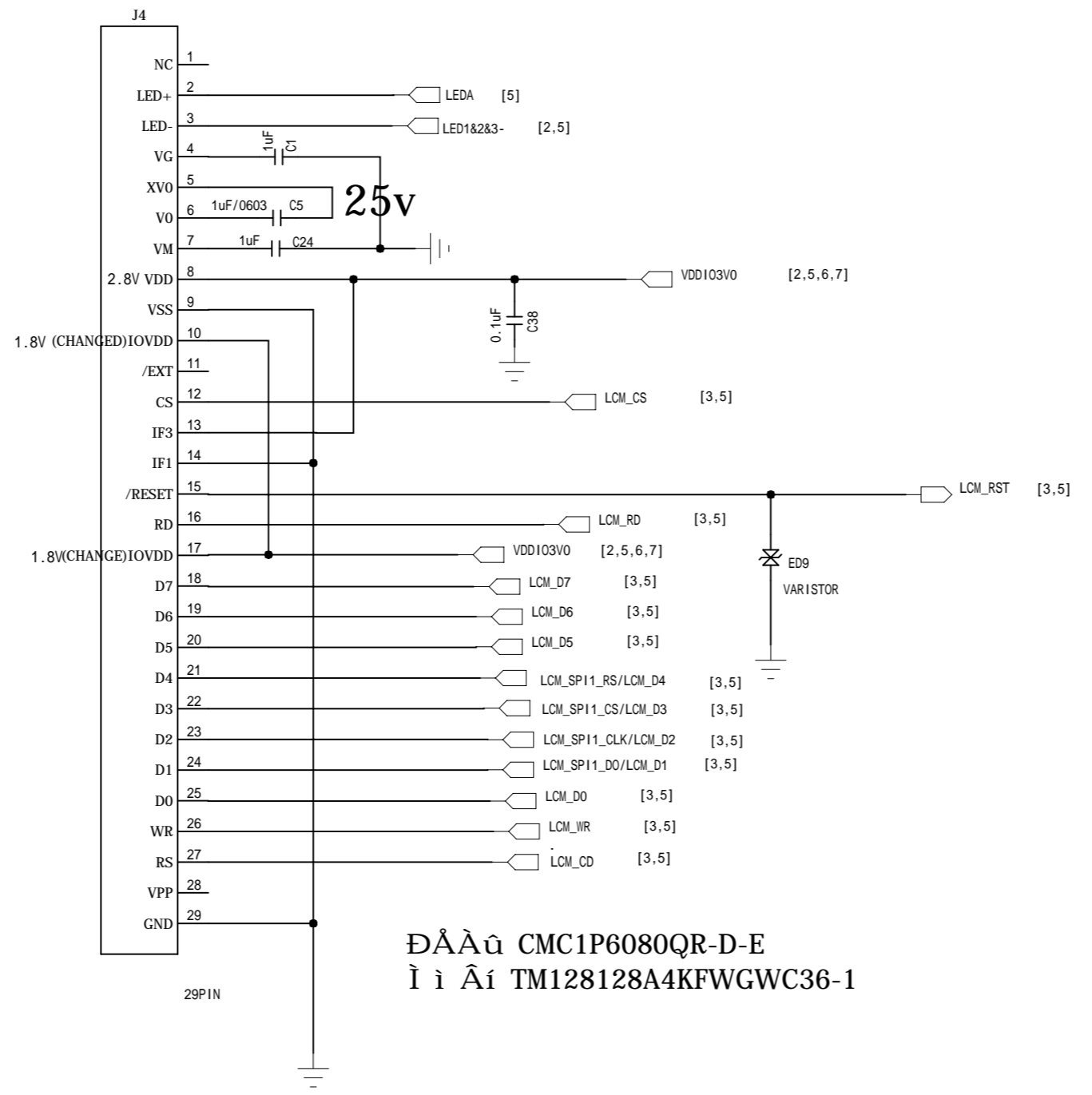
REVISION RECORD			
LTR	ECO NO.	APPROVED:	DATE:



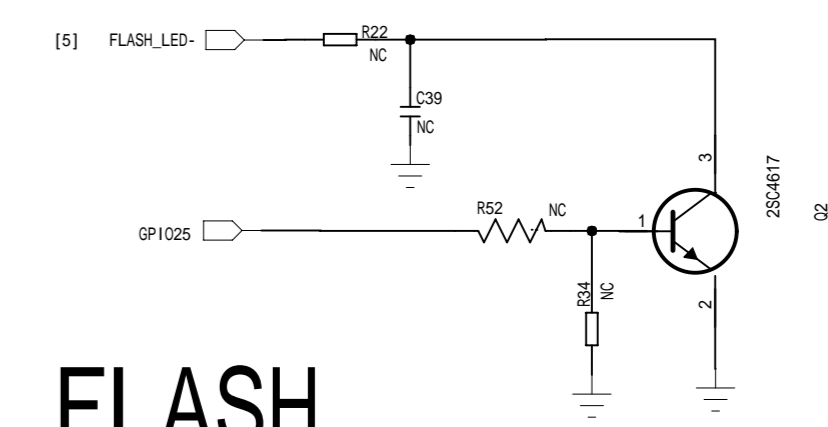
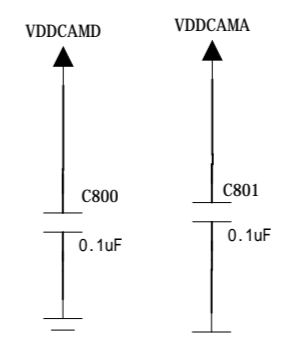
F100 LCD



LCD



CAMERA

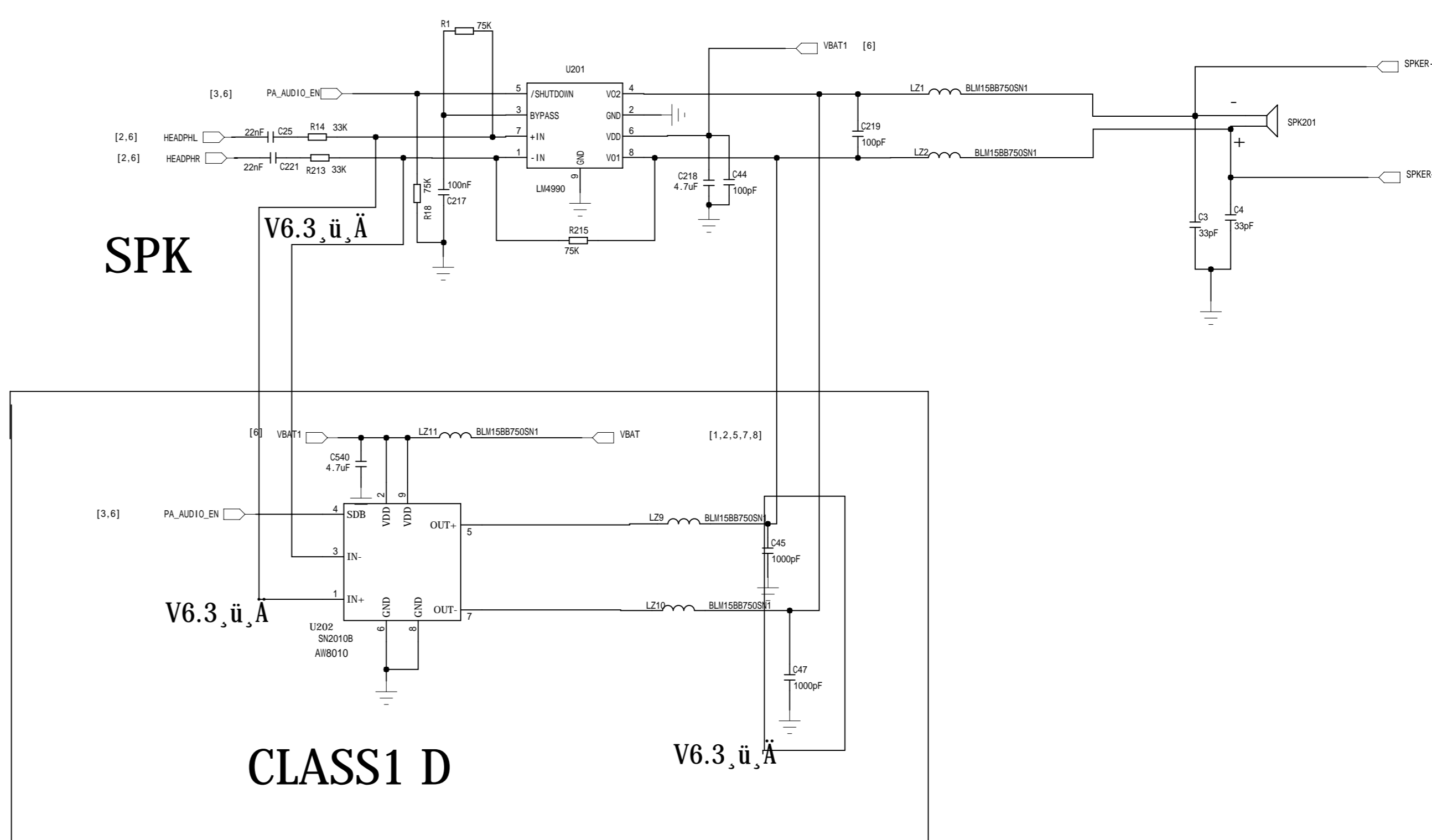
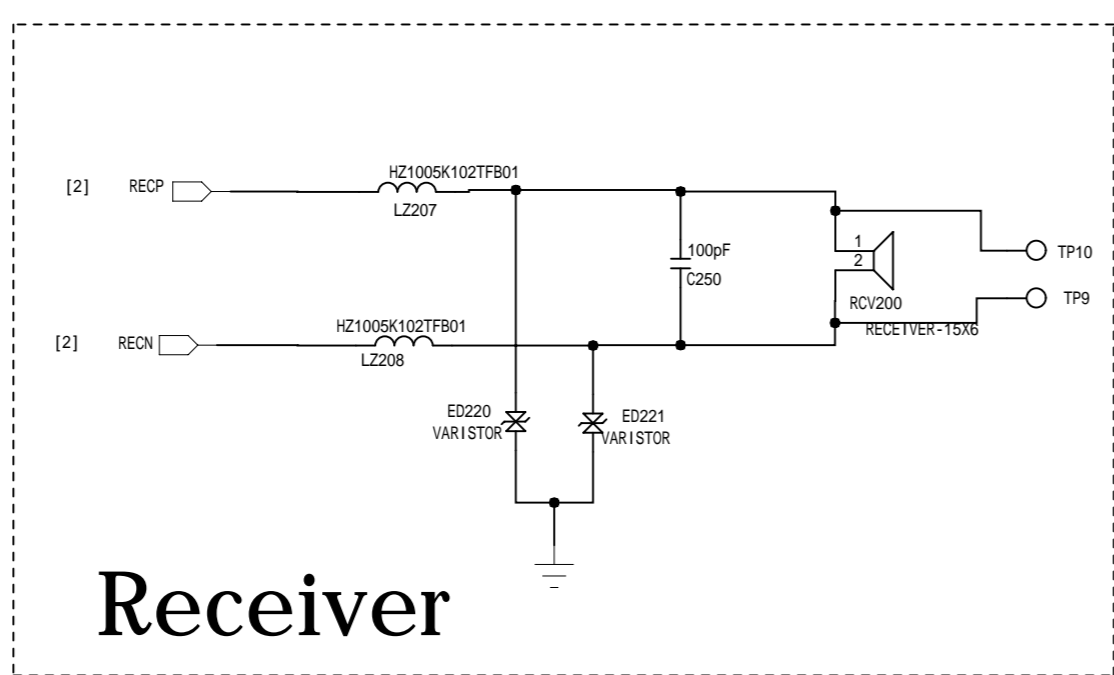
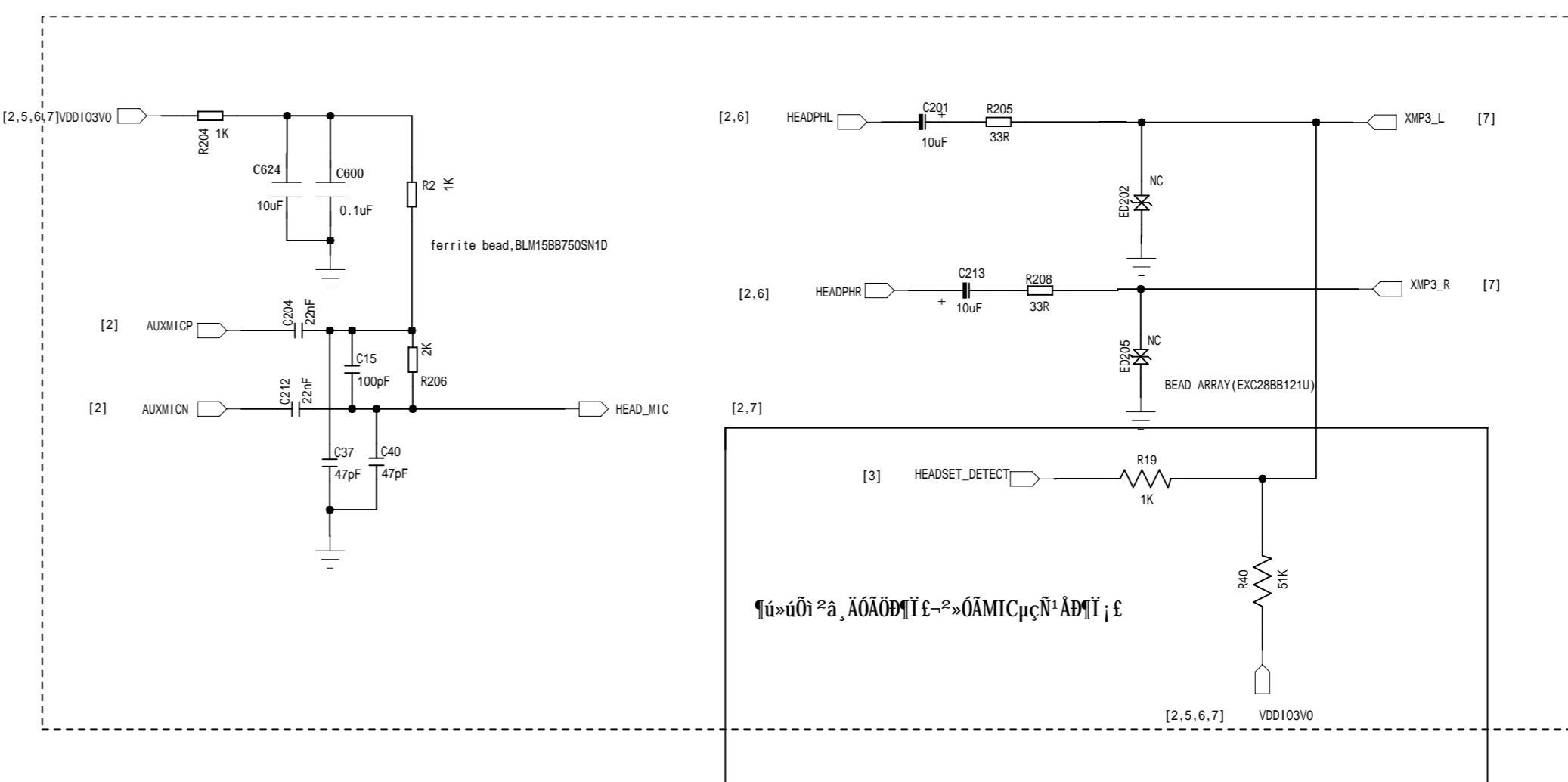
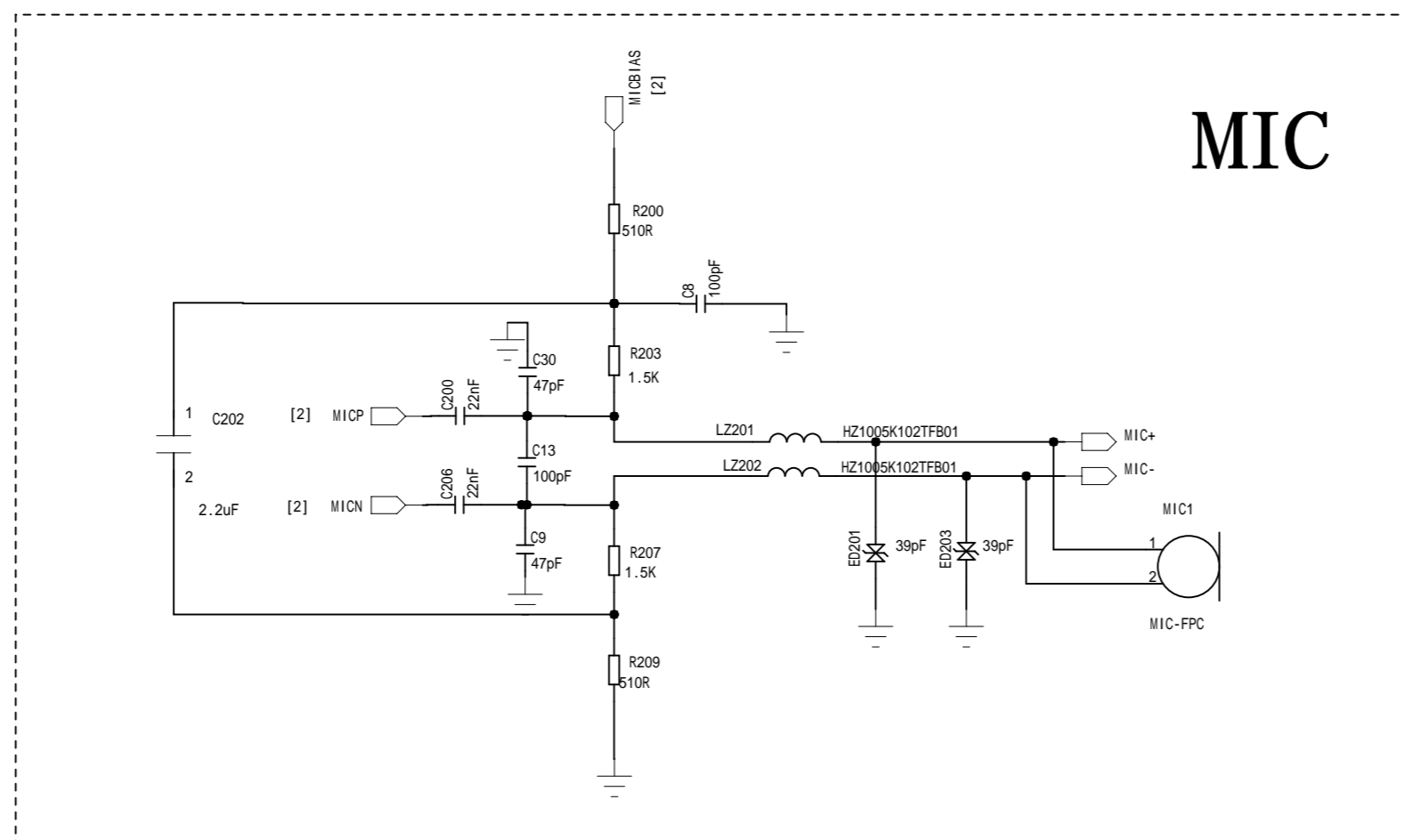


TITLE & REV: SC6600L_SP6601L_SCH_V1.0.3

DOCUMENT NO.:

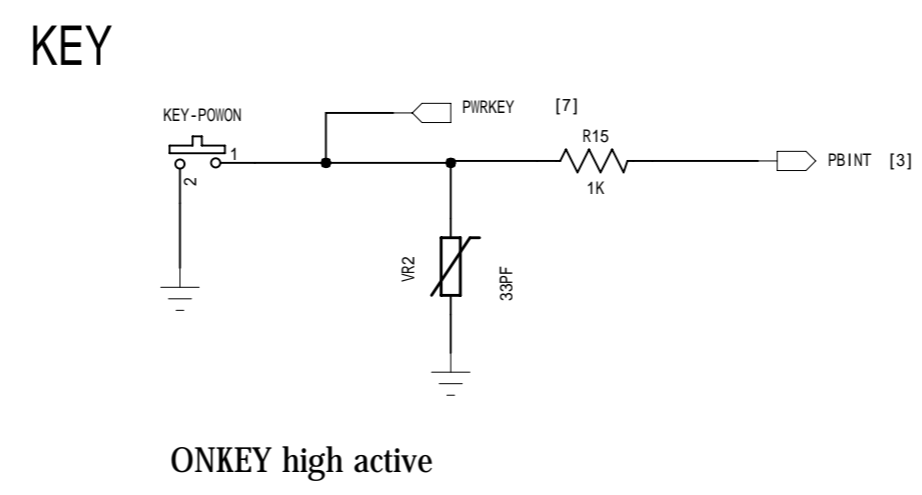
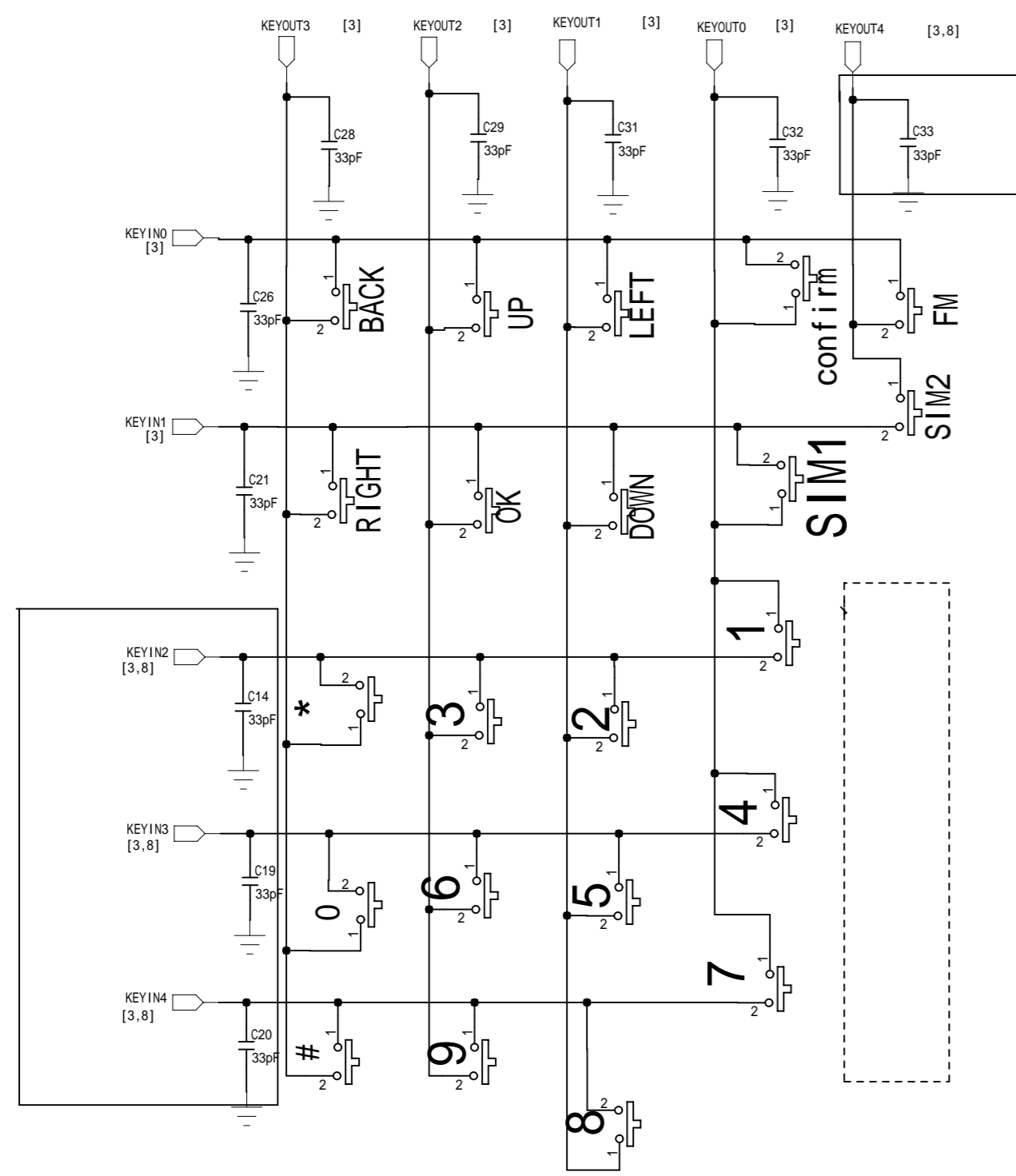
DESIGNER:	DATED:	DEPARTMENT: Hardware RD.
EDA:	DATED:	COMPANY:
APPROVED:	DATED:	

REVISION RECORD			
LTR	EOD NO.	APPROVED:	DATE:



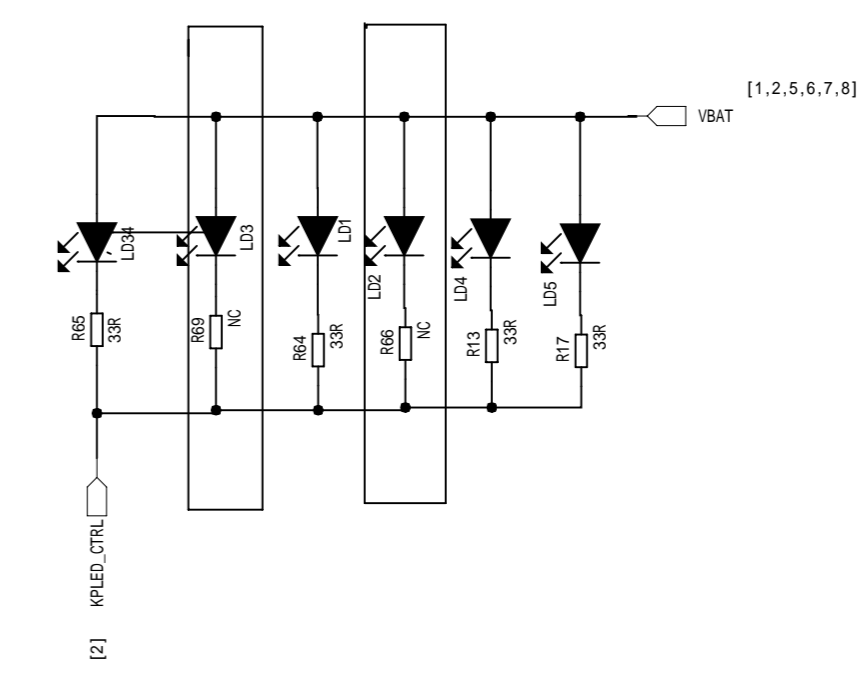
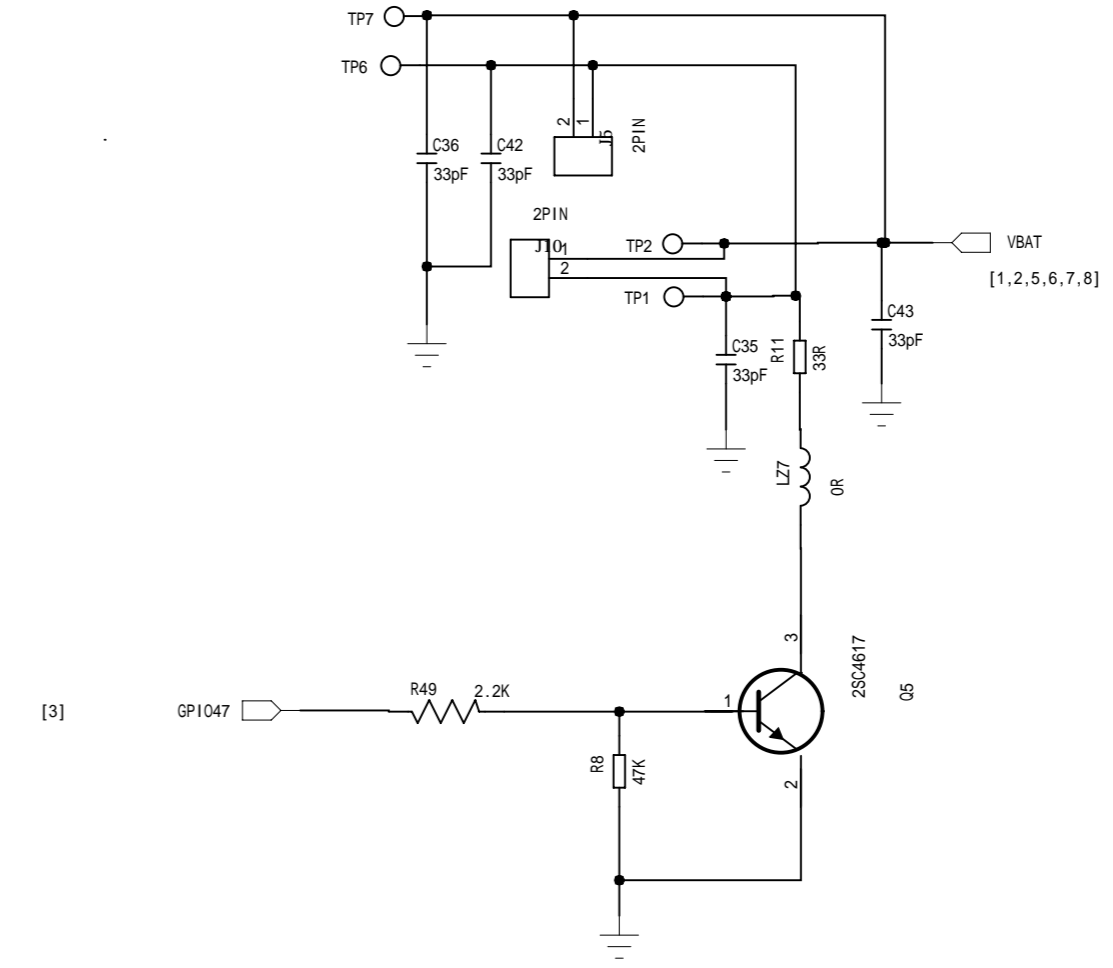
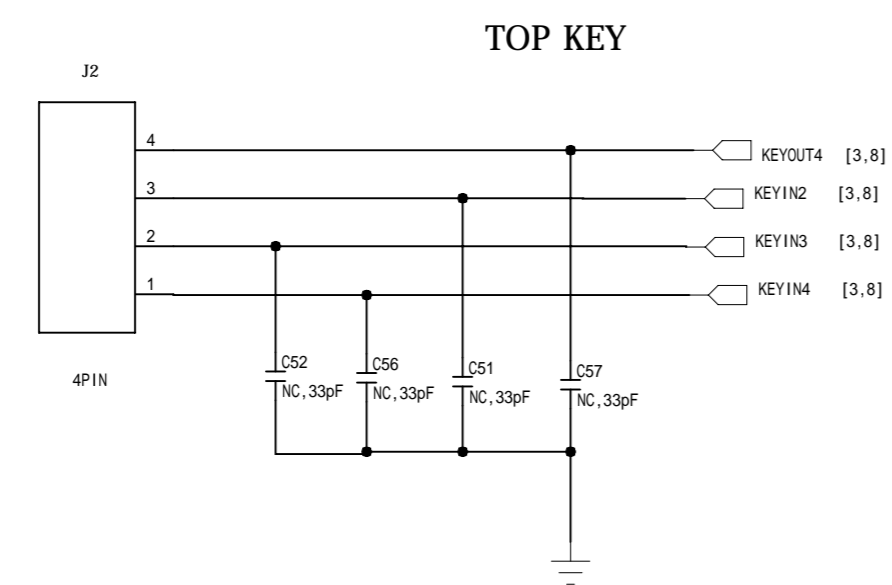
TITLE & REV: SC6600L_SP6601L_SCH_V1.0.3		
DOCUMENT NO.:		
DESIGNER:	DATED:	DEPARTMENT: Hardware RD.
EQA:	DATED:	COMPANY:
APPROVED:	DATED:	

REVISION RECORD			
LTR	ECO NO.	APPROVED:	DATE:



KEY_LED

	KROW0	KROW1	KROW2	KROW3	KROW4	
KCL0	LS	TALK	1	4	7	
KCL1	LEFT	DOWN	2	5	8	
KCL2	UP	OK	3	6	9	
KCL3	RS	RIGHT	*	0	#	
KCL4	SIM2	MUSIC		+	-	



TITLE & REV: SC6600L_SP6601L_SCH_V1.0.3		
DOCUMENT NO.:		
DESIGNER:	DATED:	DEPARTMENT: Hardware RD.
EGA:	DATED:	COMPANY:
APPROVED:	DATED:	