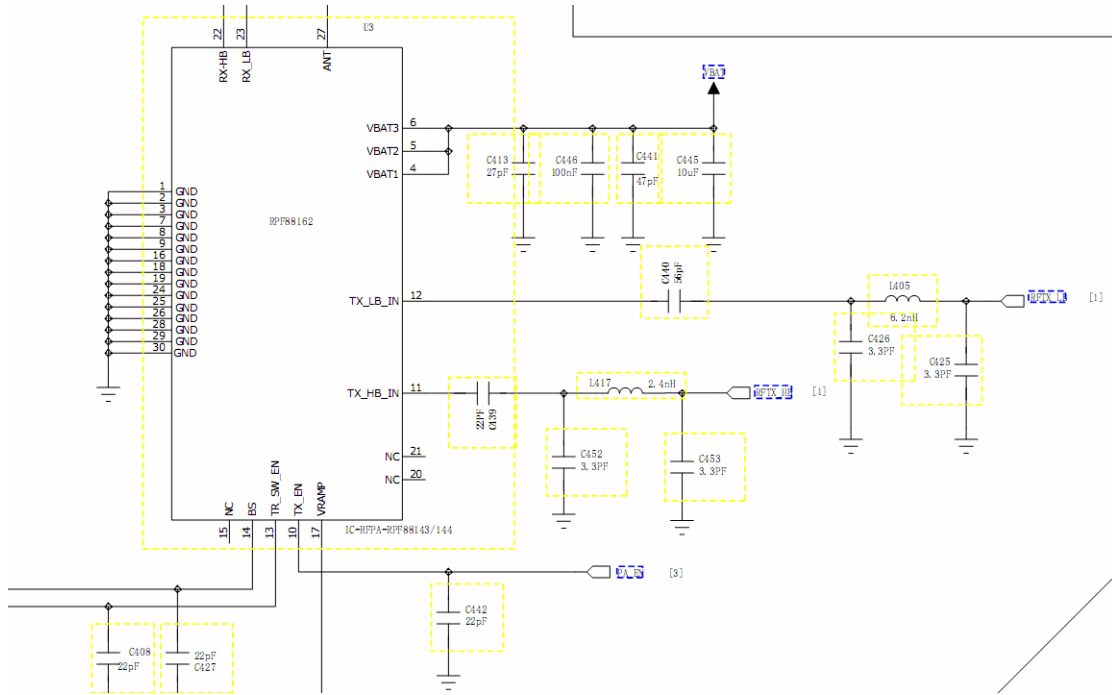


1 RX antenna switch SCH (Refer to SCH page1)

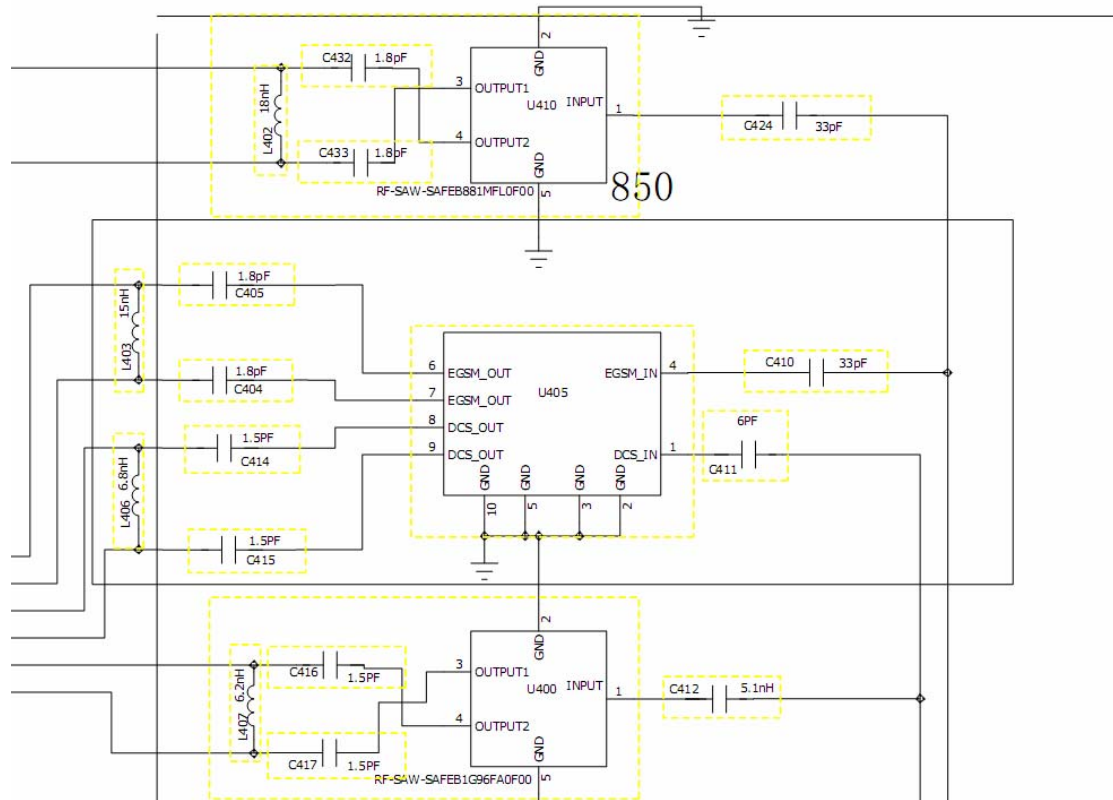


The aerial signal mobile phone received goes from antenna to RF Connector. RF Connector, which is a special parts developed for RF test. By connecting RF cable to spectrum analyzer, you can measure RF signal. Signal output from RF Connector will be input to GSM Qual band front-end module U501 (integrated with RF PA).CPU output VLOGIC and TX_EN signals , which will be incharge of GSM Qual band front-end module U501 in relative Band(GSM850、 PCS1900)andin TX/RX or standby status as below figure

Control logic

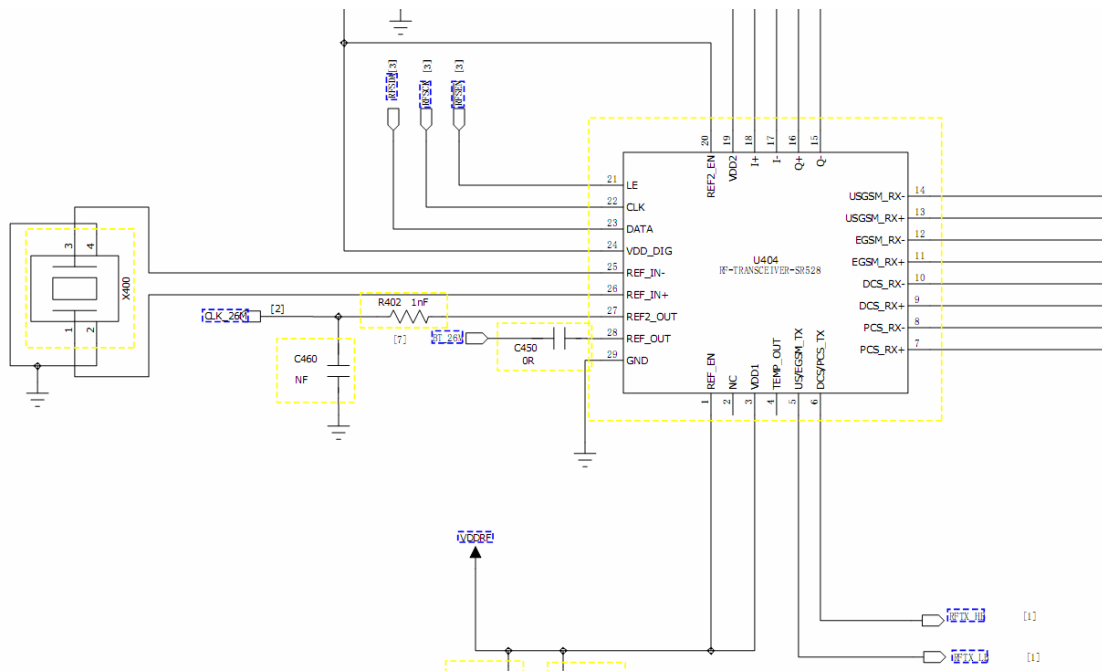
		TX_EN	BS	TR_SW_EN
A	Sleep	0	0	0
B	LB GMSK isolation	1	0	0
C	LB GMSK	1	0	1
D	HB GMSK isolation	1	1	0
E	HB GMSK	1	1	1
F	RX1(HB) enable	0	1	1
G	RX2(LB) enable	0	0	1

2 RX SAW Filter SCH



The RX signal output from RF SW, then input SAW filter .changed two difference signals in SAW filter, then input the BB transceiver of U404(QS518)

3 RF part schematic (refer to SCH PAGE1)



The RF overall schematic as up. It contains the TX path and RX path. The signal received from the air will be demodulated in CPU through RX SAW and Transceiver, Then the original voice signal will driver the receiver. At the same time the signal from microphone will be sent to transceiver through CPU, then be amplified by RF PA, at last sent to air from the antenna switch.