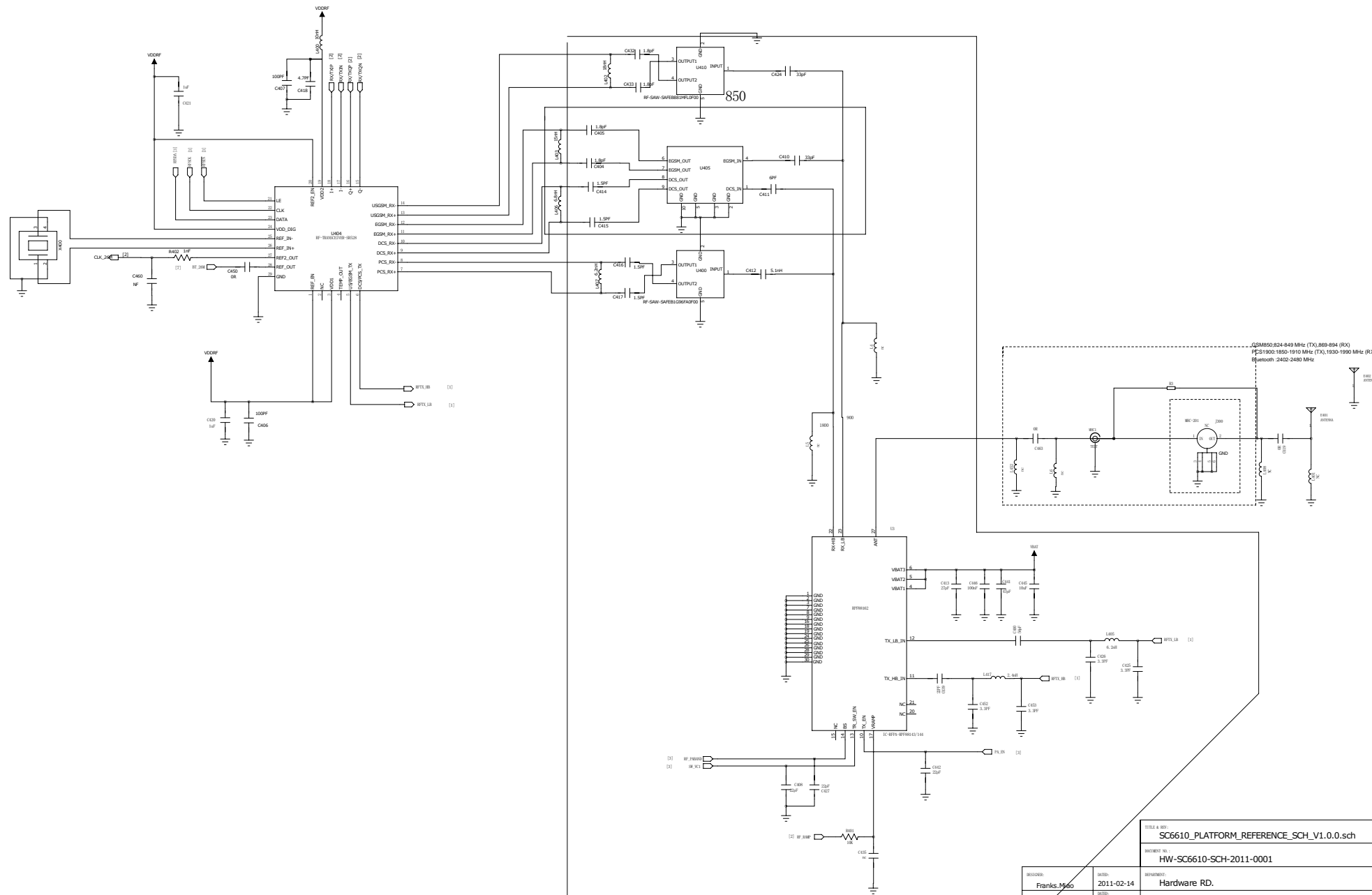


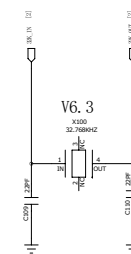
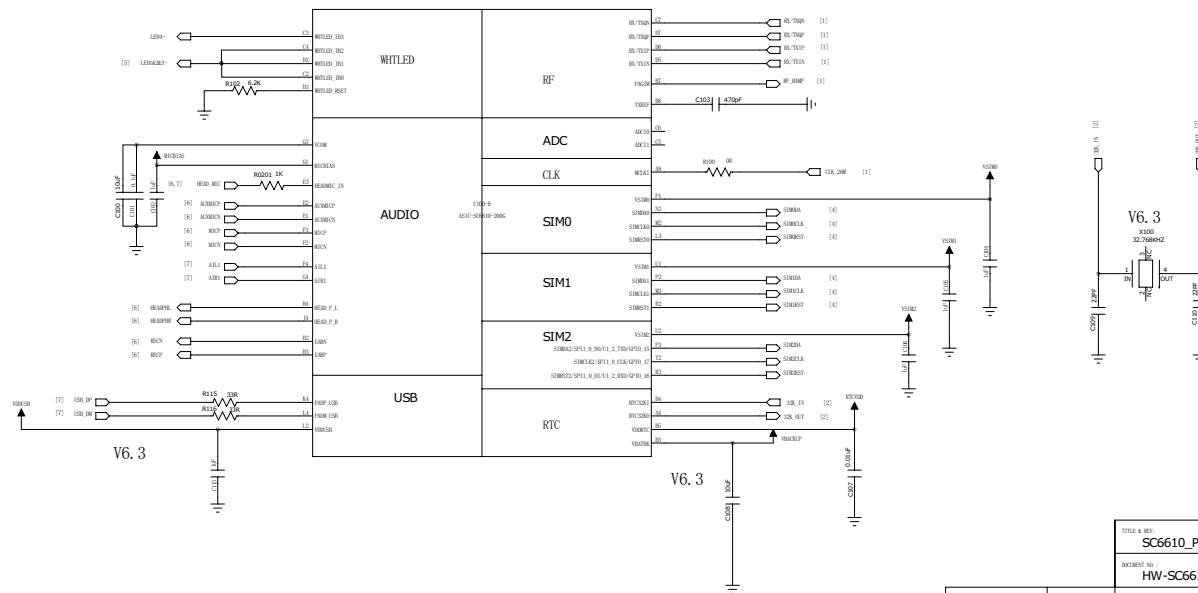
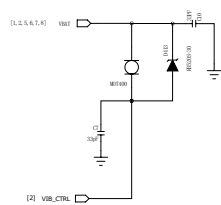
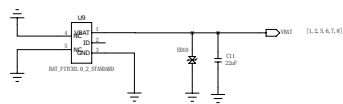
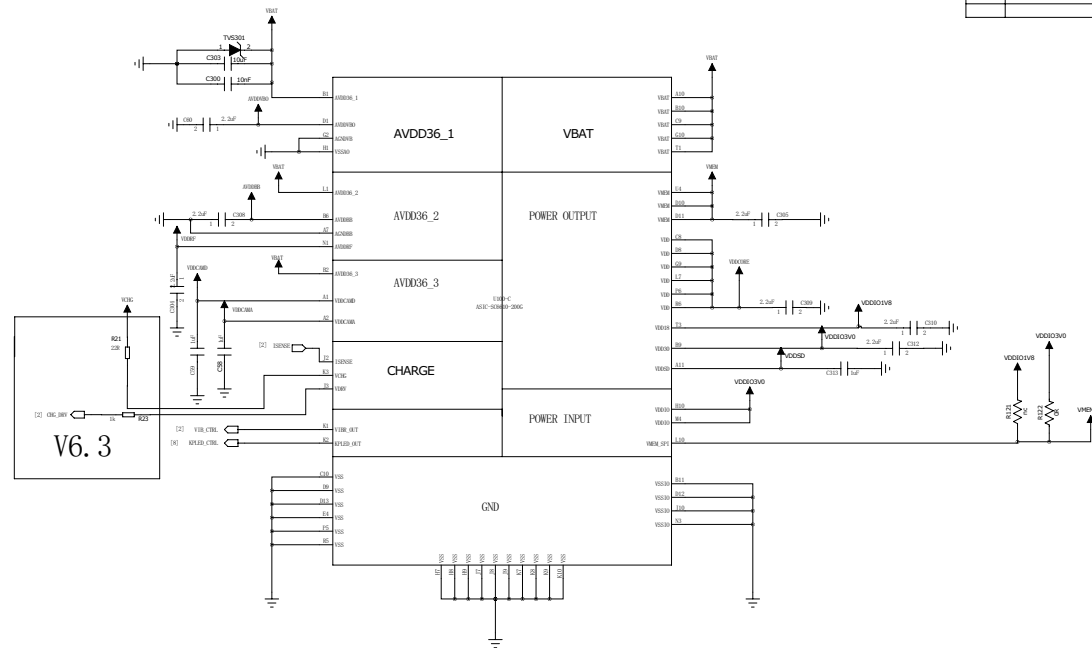
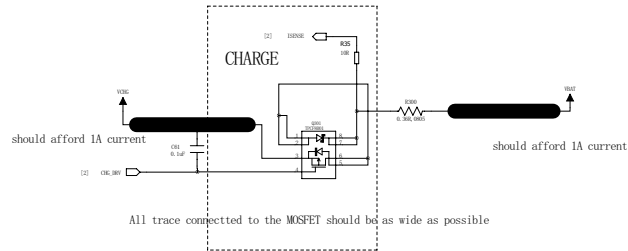
REVISION HISTORY			
VER	REV NO.	APPRAISER	DATE



TITLE & REV:
SC6610_PLATFORM_REFERENCE_SCH_V1.0.0.sch
 DOCUMENT NO.:
HW-SC6610-SCH-2011-0001

DESIGNED:	DATE:	DEPARTMENT:
Franks, Mao	2011-02-14	Hardware RD.
Robin, Zhang	2011-02-14	

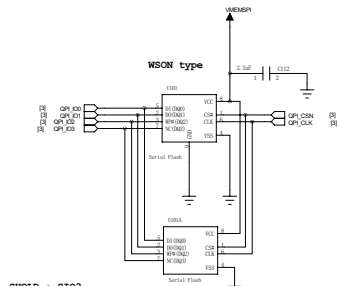
REVISION RECORD			
REV	REV NO.	APPROVED	DATE



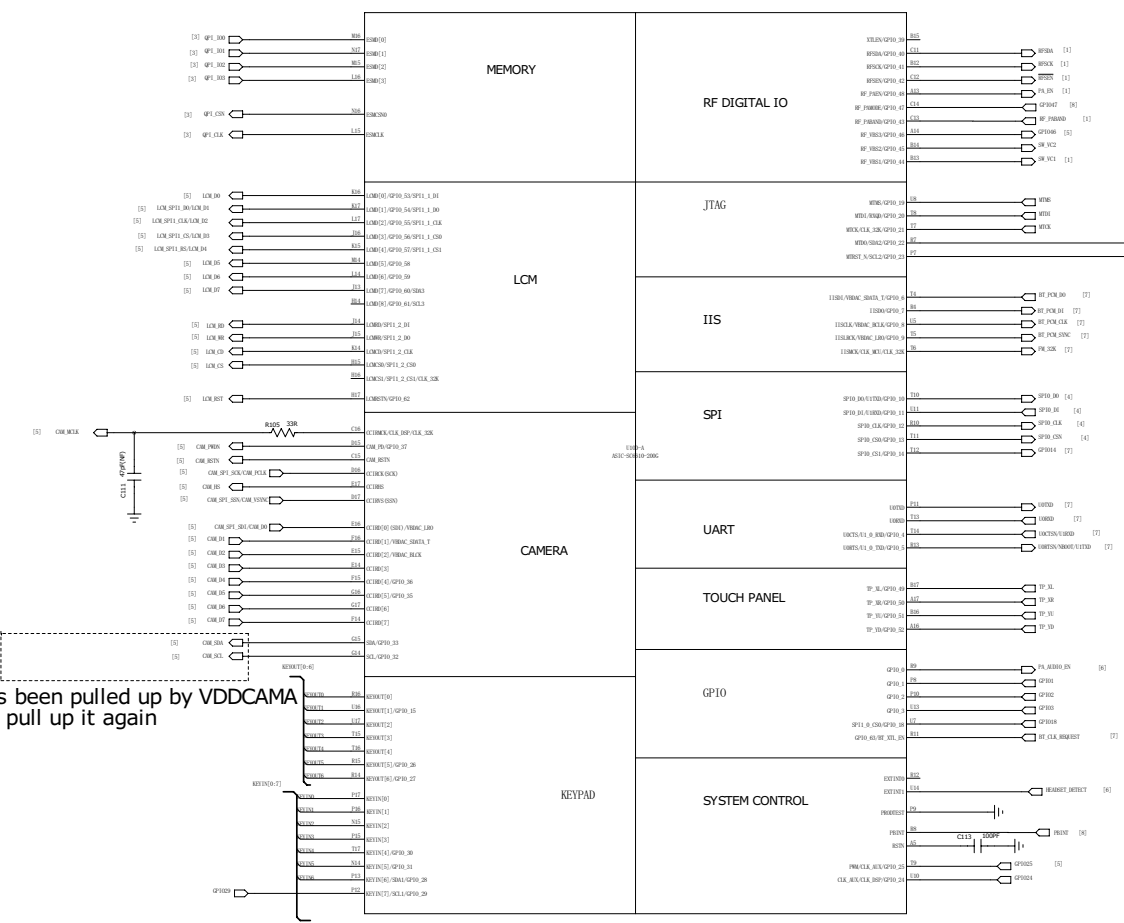
TITLE: 0101
 SC6610_PLATFORM_REFERENCE_SCH_V1.0.0.sch
 DOCUMENT NO:
 HW-SC6610-SCH-2011-0001

DESIGNER: Franks.Mao	DATE: 2011-02-14	DEPARTMENT: Hardware RD.
QA: Robin.Zhang	DATE: 2011-02-14	COMPANY:
APPROVED: Guobing.Luan	DATE: 2011-02-14	CONFIDENTIAL AND PROPRIETARY

REVISION HISTORY			
REV	REV NO	APPROVED	DATE



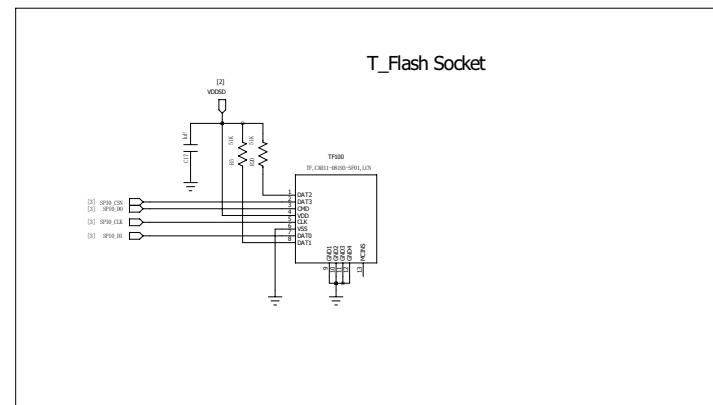
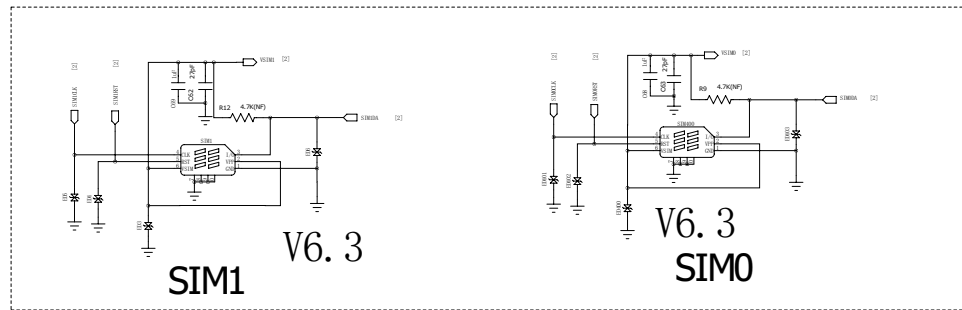
SHOLD : SI03
 SNP : SI02
 SOUT : SQI_SI : DQ0
 SIN : SQI_SO : DQ1



I2C has been pulled up by VDDCAMA
 don't pull up it again

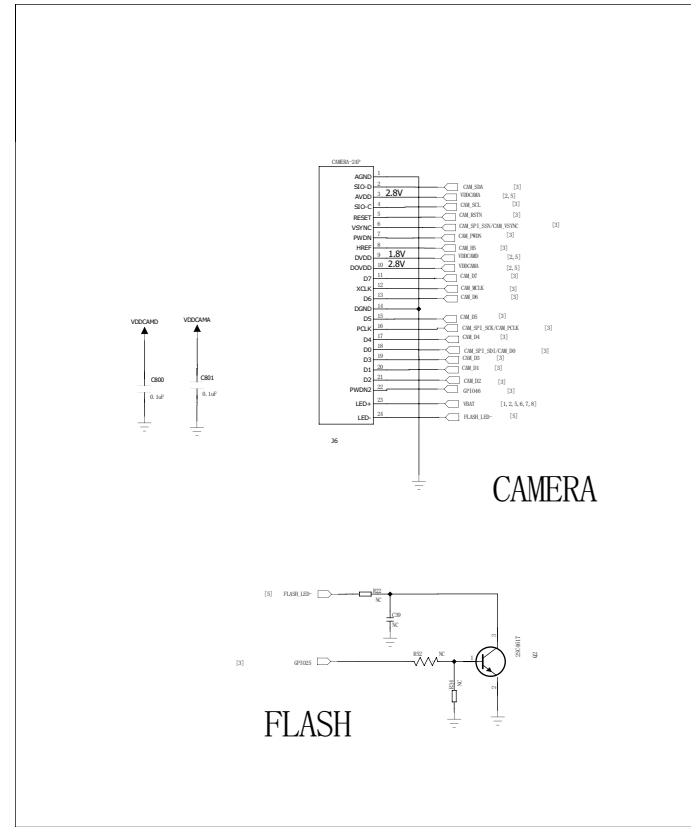
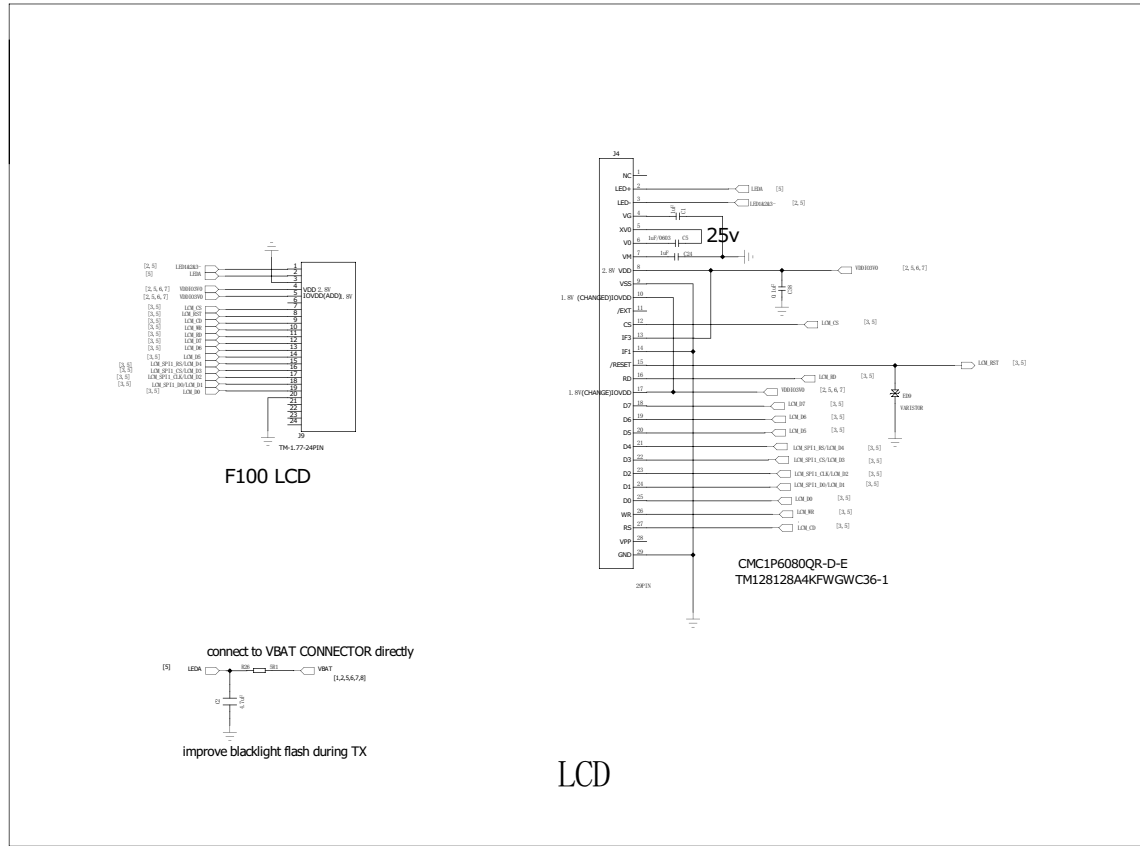
TITLE & REV		SC6610_PLATFORM_REFERENCE_SCH_V1.0.0.sch	
DRAWING NO.		HW-SC6610-SCH-2011-0001	
DESIGNER	DATE	DEPARTMENT	Hardware RD.
Franks.Mao	2011-02-14		
DR	DATE	COMPANY	
Robin.Zhang	2011-02-14		
APPROVED	DATE		
Guobing.Luan	2011-02-14		

REVISION RECORD			
LT#	REV. NO.	SYMBOL	DATE



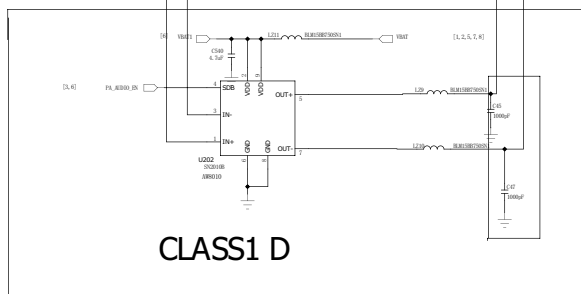
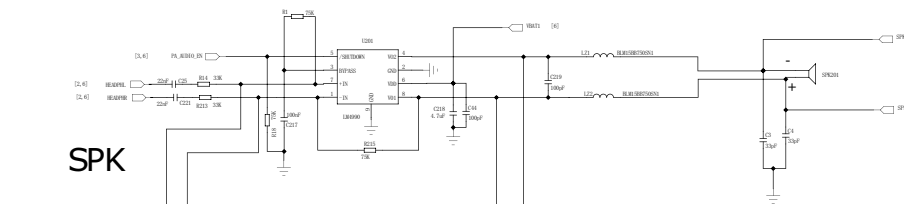
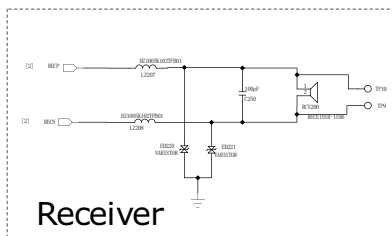
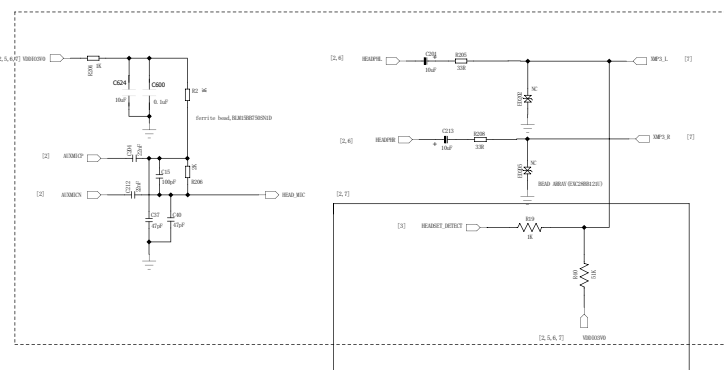
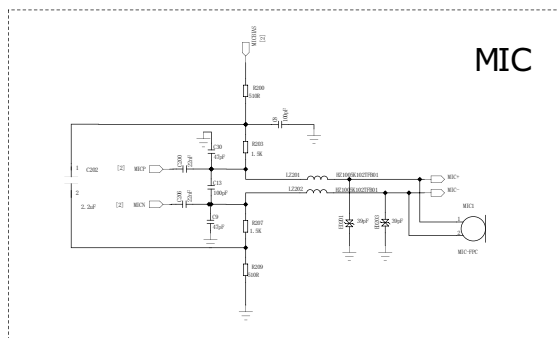
TITLE & REV: SC6600L_SP6601L_SCH_V1.0.3		
DOCUMENT NO.:		
DESIGNER:	DATE:	REVISION:
EAG:		COMPON:
APPROVED:	DATE:	
CONFIDENTIAL AND PROPRIETARY		SHEET: 4 OF 17

REVISION RECORD			
LTN	REV. NO.	APPROVED	DATE



TITLE & REV SC6600L_SP6601L_SCH_V1.0.3		
DOCUMENT NO.:		
DESIGNED:	DATE:	REVISION:
Hardware RD.		
DWG:	DATE:	COMMENT:
APPROVED:	DATE:	
CONFIDENTIAL AND PROPRIETARY		SHEET: 4 OF 17

REVISION RECORD			
LR	REV NO.	APPROVED	DATE

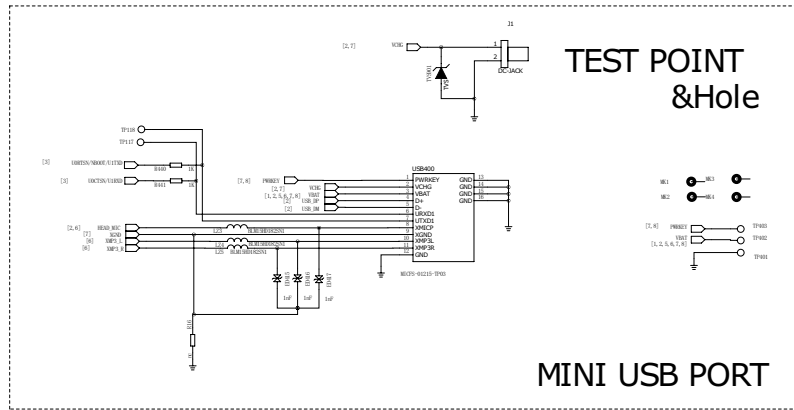


TITLE & REV:
SC6600L_SP6601L_SCH_V1.0.3

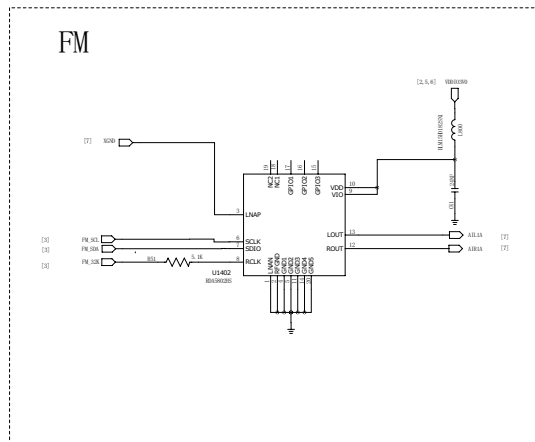
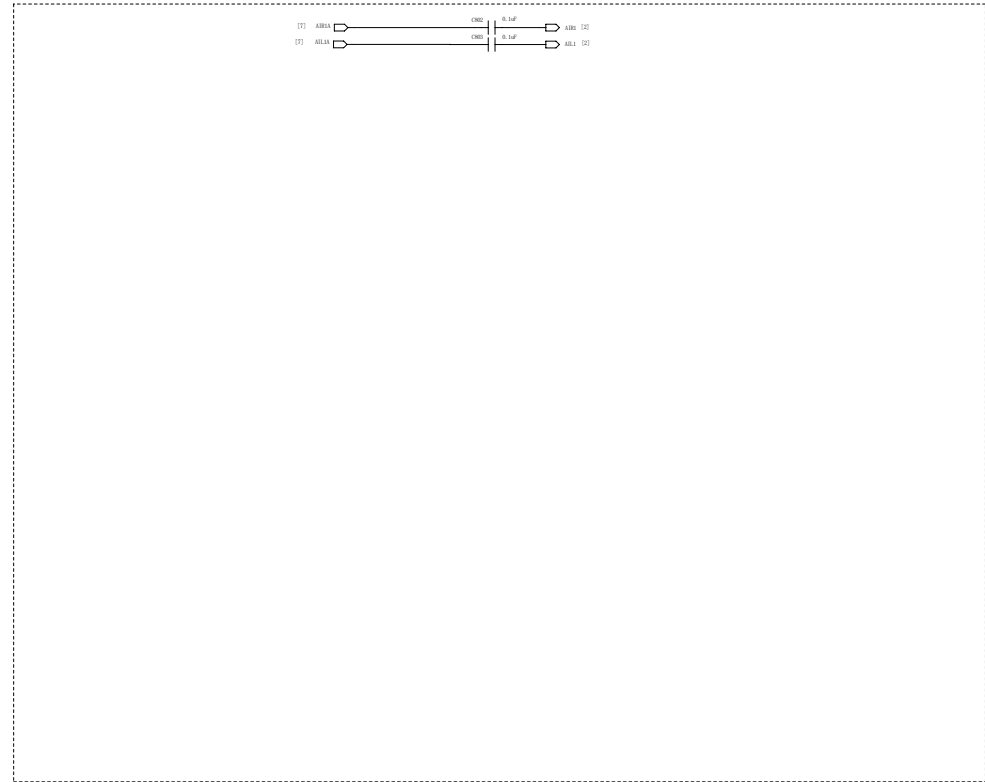
DOCUMENT NO.:

DESIGNED:	DATED:	REPARTMENT:
		Hardware RD.
DRAWN:	DATED:	COMPANY:
APPROVED:	DATED:	

REVISION RECORD			
REV.	REV NO.	APPROVED:	DATE:

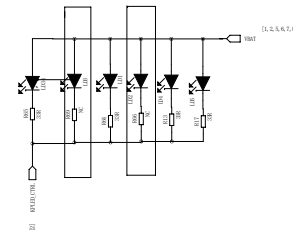
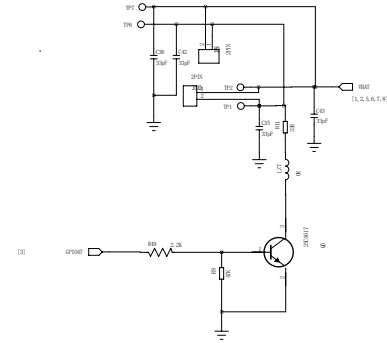
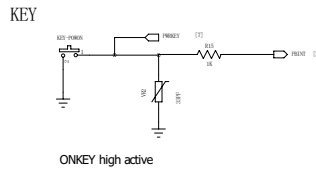
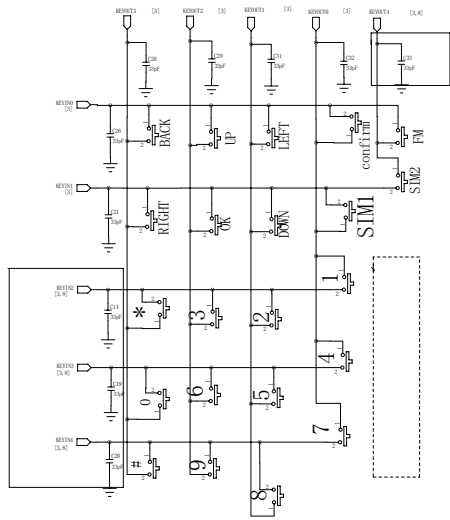


V3.2 CHANGED



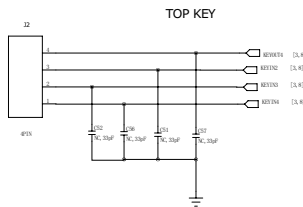
TITLE & REV: SC6600L_SP6601L_SCH_V1.0.3		
DOCUMENT NO.:		
DESIGNER:	DATE:	DEPARTMENT: Hardware RD.
ESL:	DATE:	COMPANY:
APPROVED:	DATE:	CONFIDENTIAL AND PROPRIETARY

REVISED RECORD			
DATE	REV NO.	APPROVED	DATE



KEY_LED

	KROW0	KROW1	KROW2	KROW3	KROW4	
KCL0	LS	TALK	1	4	7	
KCL1	LEFT	DOWN	2	5	8	
KCL2	UP	OK	3	6	9	
KCL3	RS	RIGHT	*	0	#	
KCL4	SIM2	MUSIC		+	-	



TITLE & REV:		
SC6600L_SP6601L_SCH_V1.0.3		
DOCUMENT NO.:		
DESIGNED:	DATED:	REVISIONS:
		Hardware RD.
DRAWN:	DATED:	
APPROVED:	DATED:	