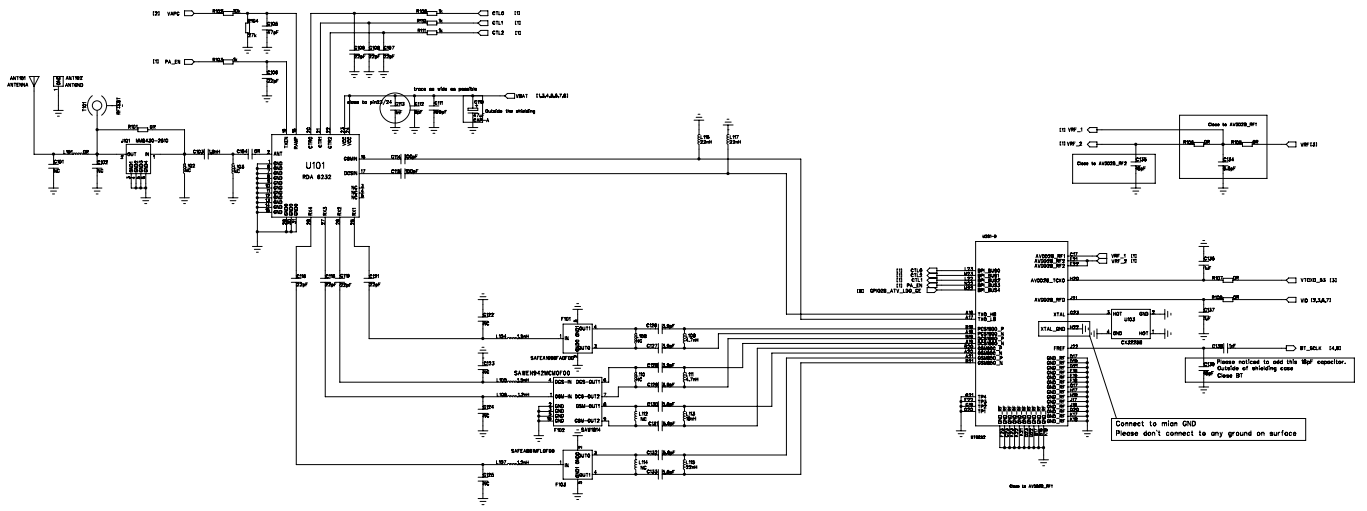
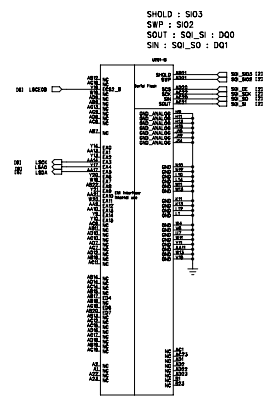
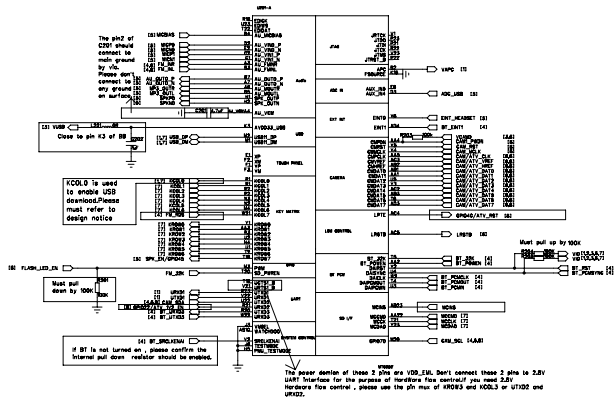




- 1571 USB_DP ---
- 1572 USB_DP ---
- 1573 USB_DP ---
- 1574 USB_DP ---
- 1575 USB_DP ---
- 1576 USB_DP ---
- 1577 USB_DP ---
- 1578 USB_DP ---
- 1579 USB_DP ---
- 1580 USB_DP ---



DRIVER	TYPE	STATUS	COMPANY	ToneJet	
DESIGN	DATE	20100828	INTEL	TJL331_MB_V10	
QUALITY CONTROL	DATE			V10	
RELEASED	DATE		REV	A1	SHEET 1 OF 10



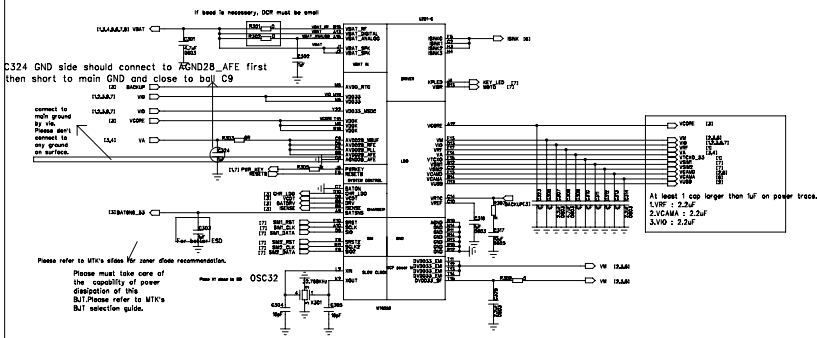
Memory



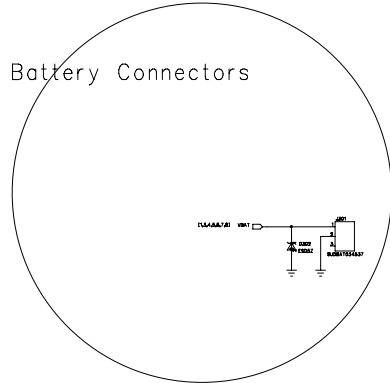
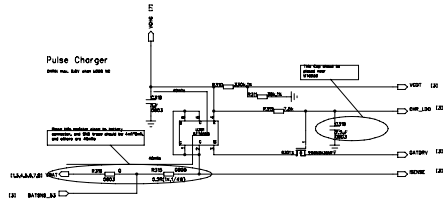
SHOLD : S103
 SWP : S102
 SDUT : S01_S1 : D00
 SIN : S01_S0 : D01

SWAP	DIV	DATE	COMPANY	ToneJet	
CHENH	DATE	DATE	TITLE	TJ331_MB_V10	
QUALITY CONTROL	DATE	DATE	TA CODE	REV	V10
RELEASED	DATE	DATE	REV	A1	SHEET 2 OF 10

BB PMU



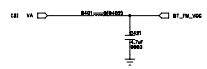
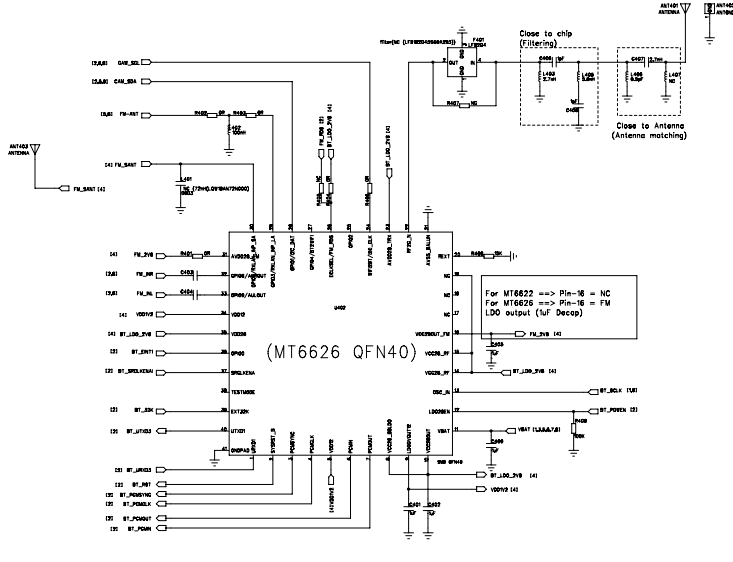
Battery Connectors



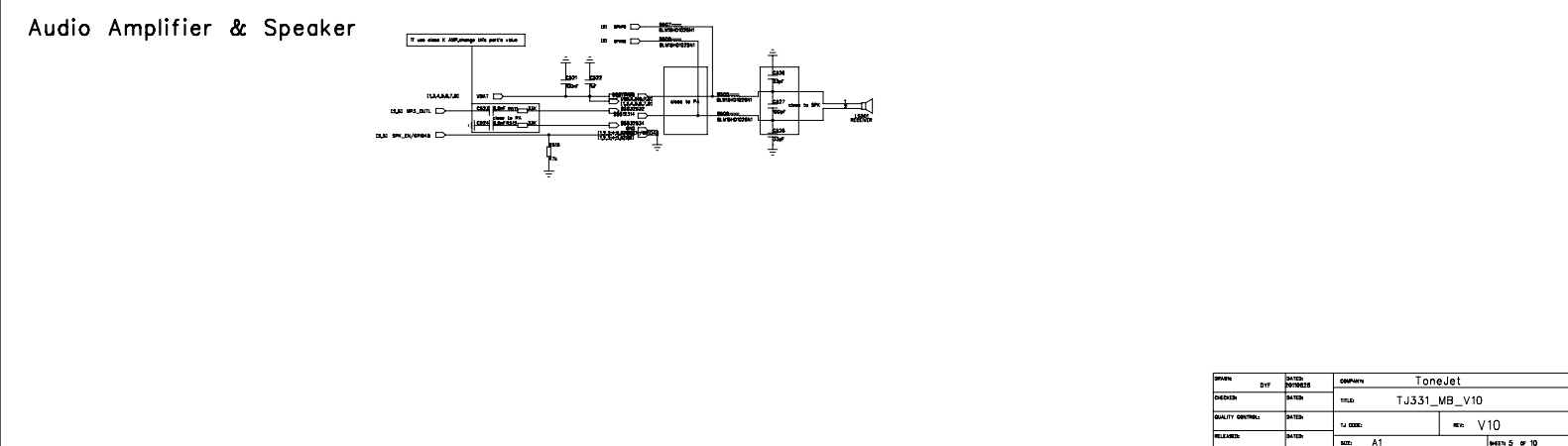
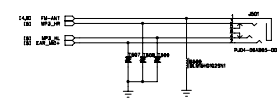
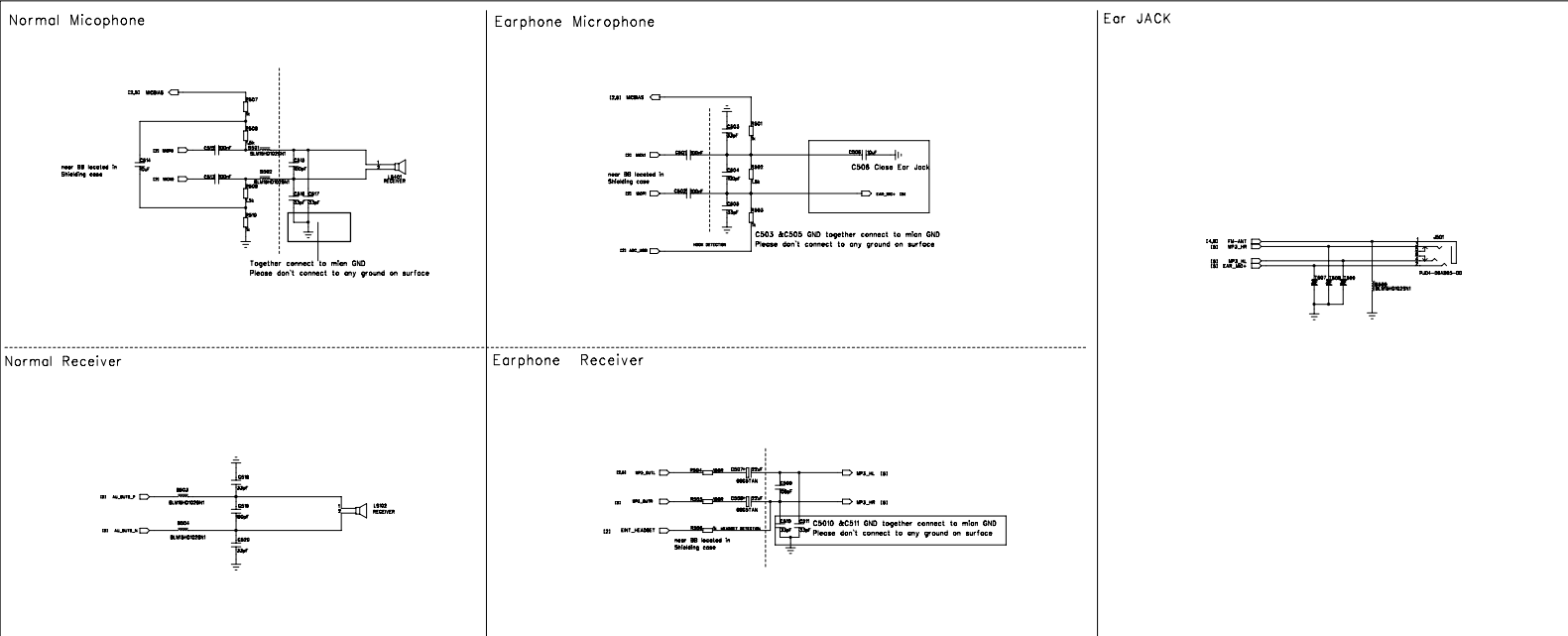
DESIGNER	DATE	DESIGN	COMPANY
			ToneJet
QUALITY CONTROL	DATE	TITLE	TJ331_MB_V10
RELEASED	DATE	TO ORDER	REV: V10
		REV: A1	SHEET 3 OF 10

BlueTooth

FM Radio

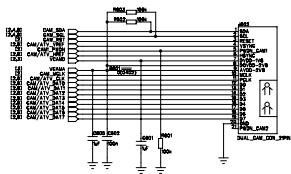


DATE	BY	STATUS	COMPANY
		DESIGN	ToneJet
		QUALITY CONTROL	TJ331_MB_V10
		RELEASED	REV: A1

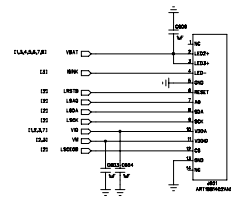


DATE	BY	STATUS	COMPANY
		DESIGN	ToneJet
		QUALITY CONTROL	TJ331_MB_V10
		RELEASED	REV: V10
			REV: A1
			SHEET 5 OF 10

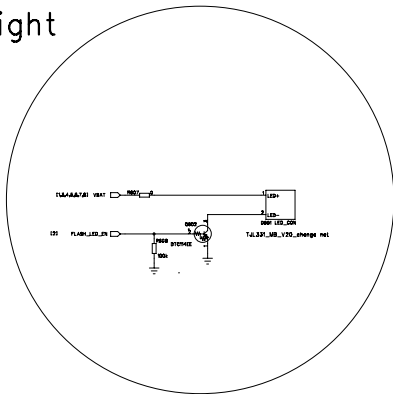
Main Camera



LCM



LED Light



DATE	BY	STATUS	COMPANY
		DESIGN	ToneJet
		QUALITY CONTROL	TJ331_MB_V10
		RELEASED	REV: V10
			REV: A1

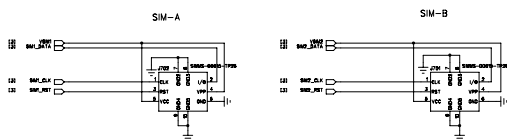
TFCard



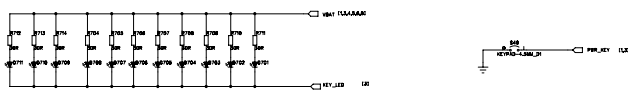
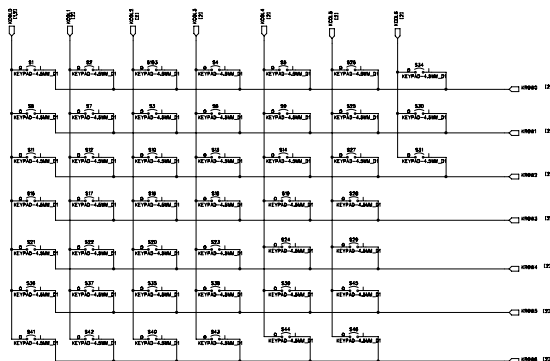
5 PIN SYSTEM IO



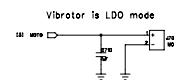
Dual SIM Card



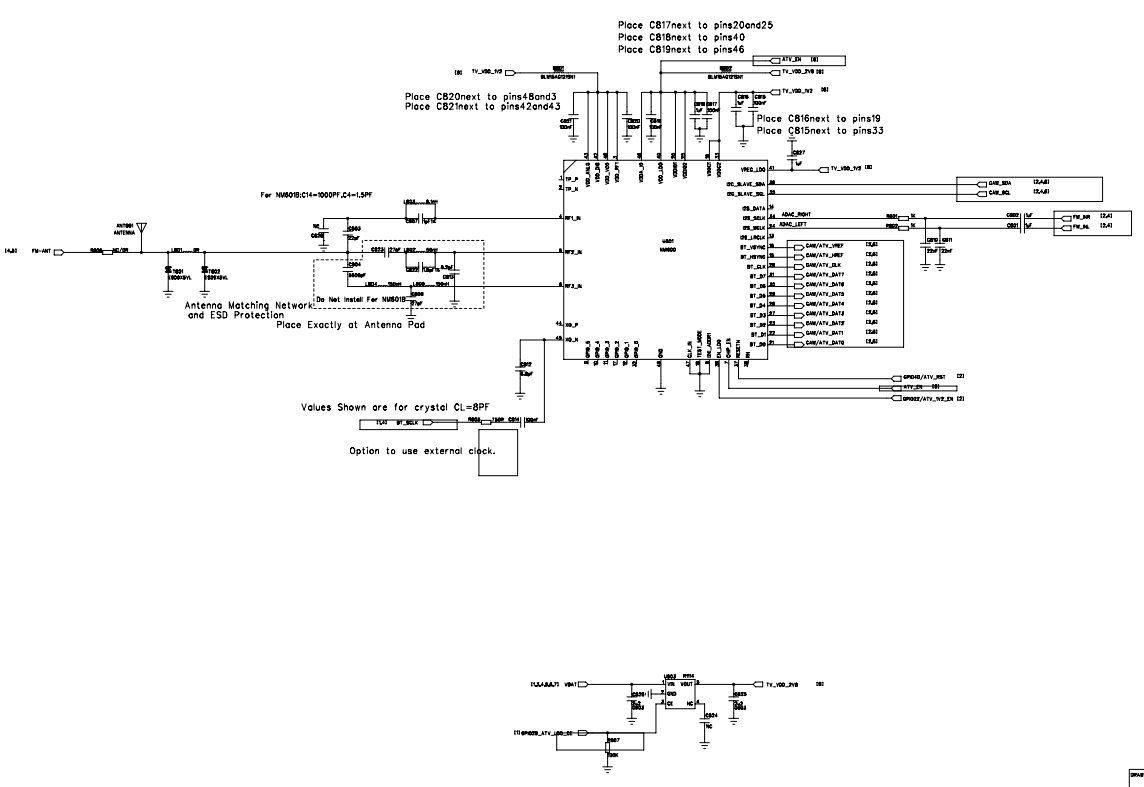
KEY_CON



Motor



DATE	BY	DESIGN	COMPANY
		DATE	ToneJet
DESIGN	DATE	TITLE	TJ331_MB_V10
QUALITY CONTROL	DATE	1:1 CHECK	REV: V10
RELEASED	DATE	REV: A1	SHEET 7 OF 10



Revision History			
DATE	BY	REASON	APPROVED
08/28/11	WT	INITIAL RELEASE	WT
09/27/11	WT	REVISION 1	WT
10/31/11	WT	REVISION 2	WT

Product Information			
PART NUMBER	TJL331_MB_V10		
DESCRIPTION	TONJET PCB		
REVISION	REV. A1		
DATE	OCT 31 2011		

DATE:	DATE:	COMPAN:	ToneJet	
CHECKED:	DATE:	FILE:	TJ331_MB_V10	
QUANTITY CONTROL:	DATE:	TJ CODE:	REV:	V10
RELEASED:	DATE:	SHEET:	A1	SHEET 9 OF 10

DATE	DATE	COMPANY	ToneJet	
ORDER	DATE	TITLE	TJ331_MB_V10	
QUALITY CONTROL	DATE	TJ CODE	REV	V10
RELEASED	DATE	REV	A1	SHEET 10 OF 10