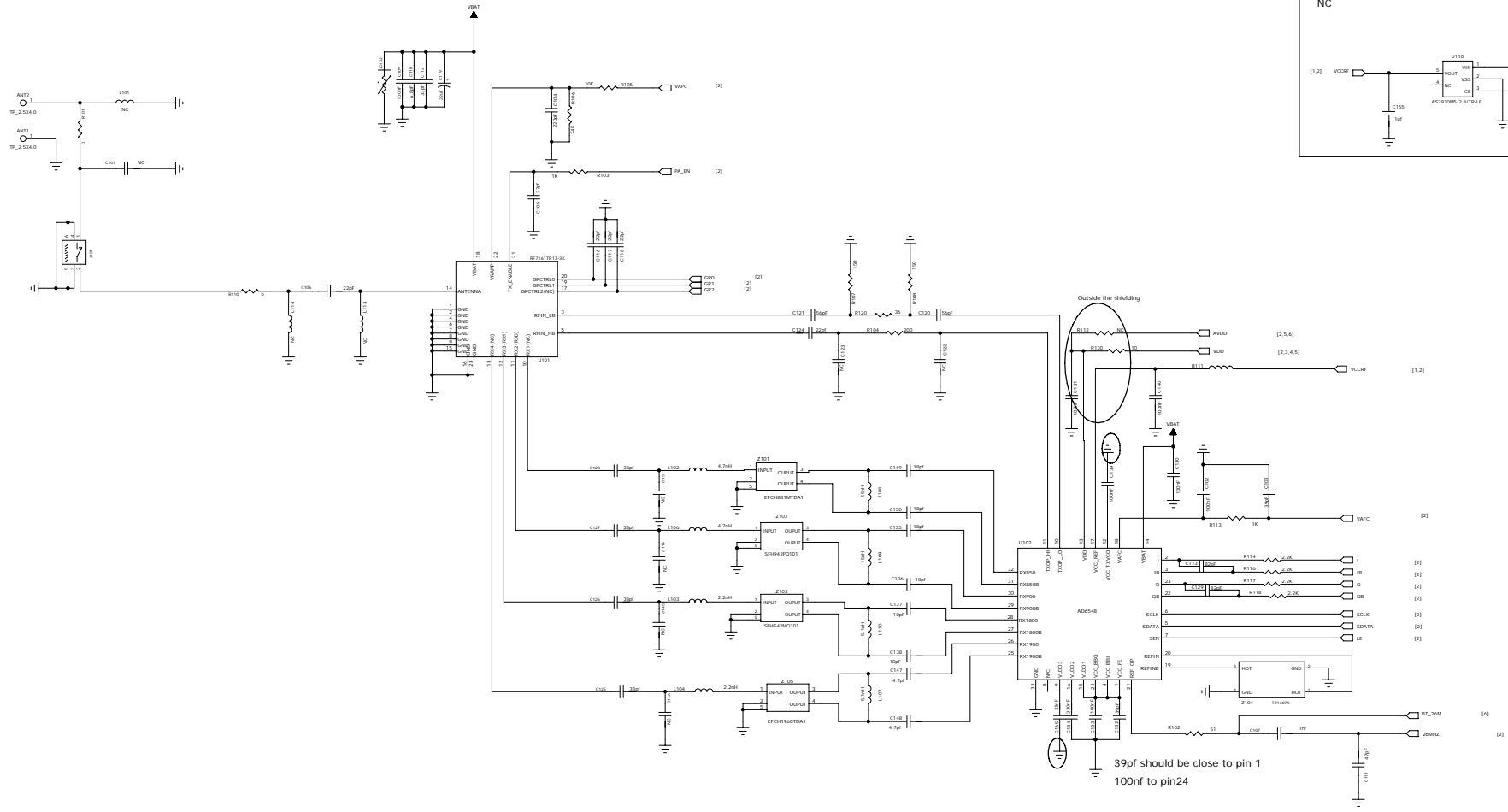
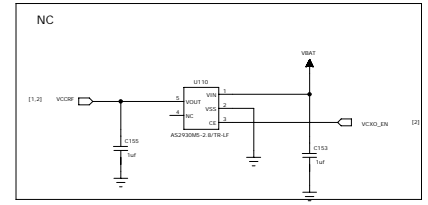
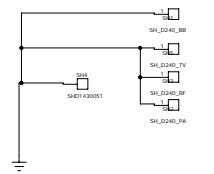


REVISION RECORD			
LTB	ECC NO.	APPROVED	DATE



39pf should be close to pin 1
100nf to pin24

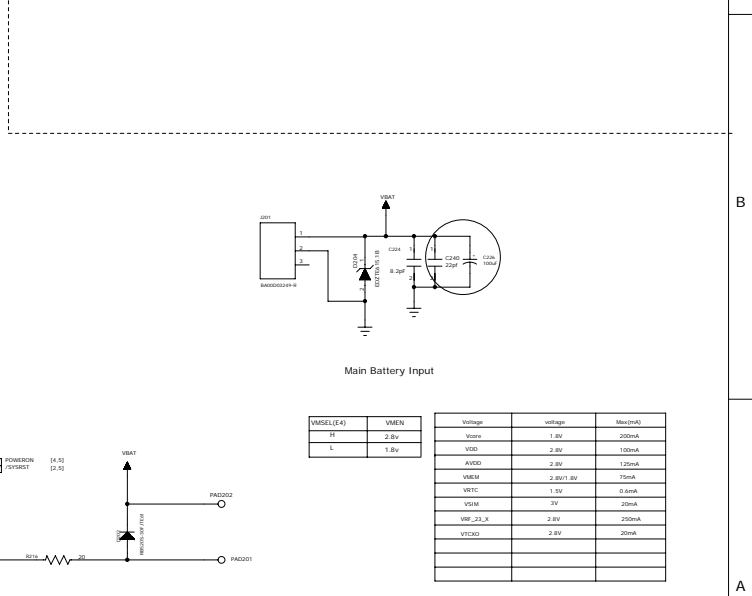
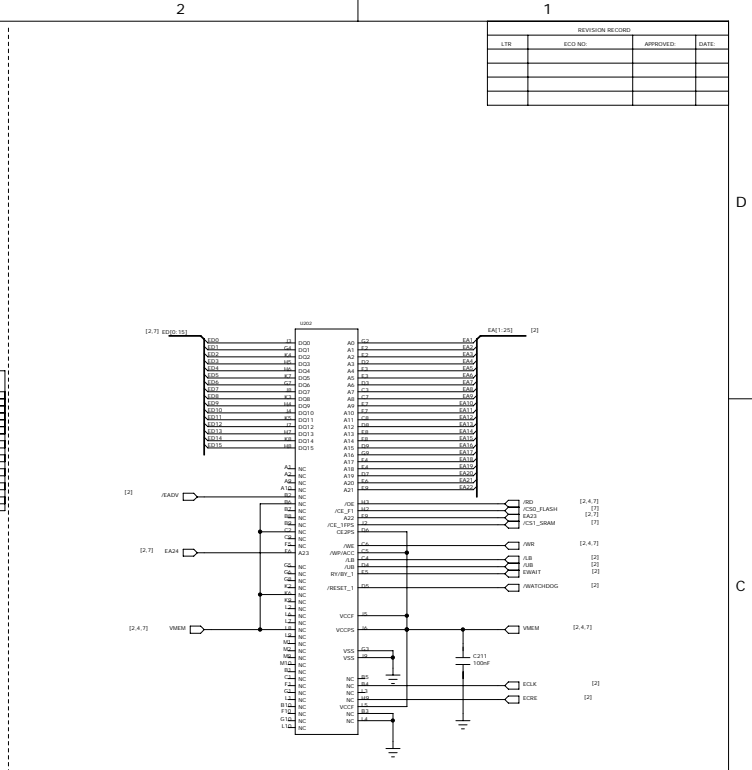


COMPANY: BeiJing DaYo Mobile

TITLE: D240

DRAWN: <Drawn By>	DATED: Dec.11 2006	CODE	SIZE	DRAWING NO	REV.
CHECKED: <Checked By>	DATED: <Checked Date>	<Code>	A1	<Drawing Number>	P5
QUALITY CONTROL: <QC By>	DATED: <QC Date>				
RELEASED: <Released By>	DATED: <Release Date>	SCALE: <Scale>	SHEET: 8 of 7		

REVISION RECORD			
LTB	ECC NO.	APPROVED	DATE



COMPANY: **BeiJing DaYo Mobile**

TITLE: **D240**

DATE: **Dec. 11 2006**

DRAWN: **<Drawn By>** DATED: **<Release Date>**

CHECKED: **<Checked By>** DATED: **<Release Date>**

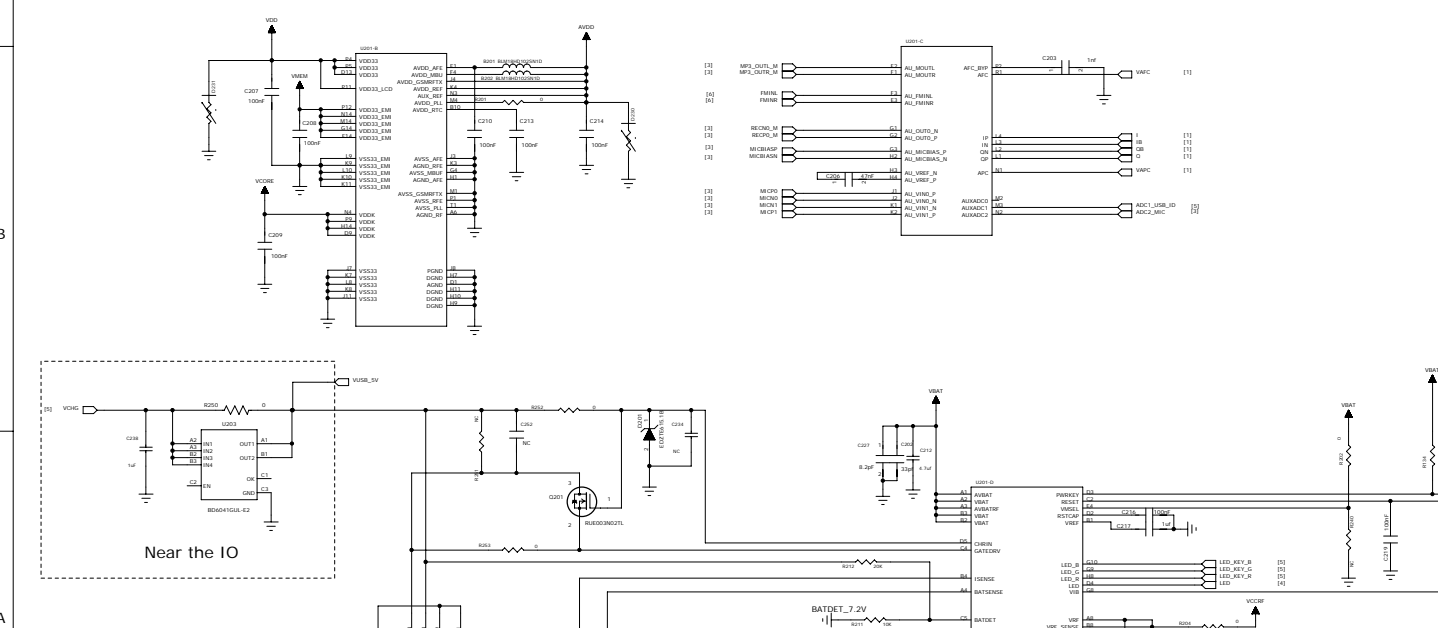
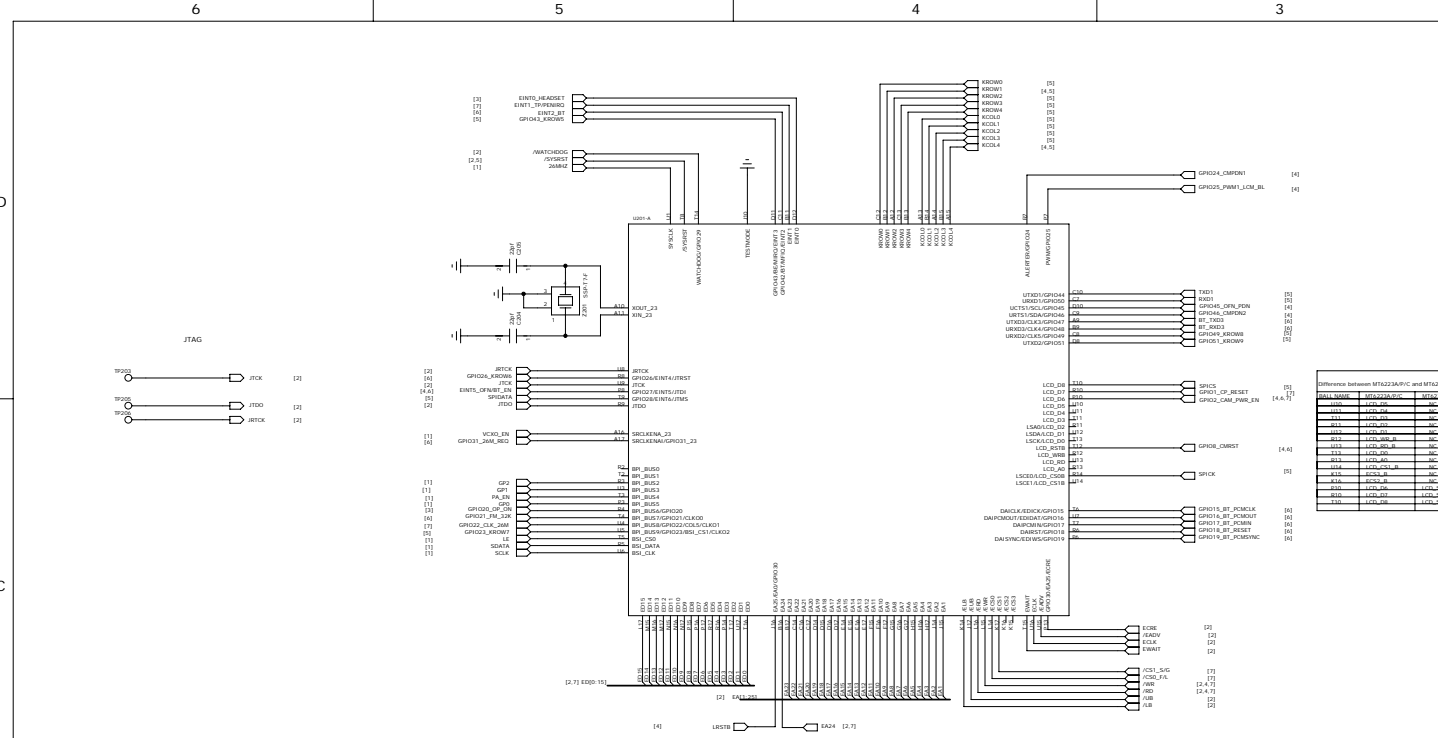
QUALITY CONTROL: **<QC By>** DATED: **<Release Date>**

RELEASED: **<Released By>** DATED: **<Release Date>**

SCALE: **<Scale>**

DRAWING NO: **A1** REV: **P5**

SHEET: **26** / **7**



COMPANY: **BeiJing DaYo Mobile**

TITLE: **D240**

DATE: **Dec. 11 2006**

DRAWN: **<Drawn By>** DATED: **<Release Date>**

CHECKED: **<Checked By>** DATED: **<Release Date>**

QUALITY CONTROL: **<QC By>** DATED: **<Release Date>**

RELEASED: **<Released By>** DATED: **<Release Date>**

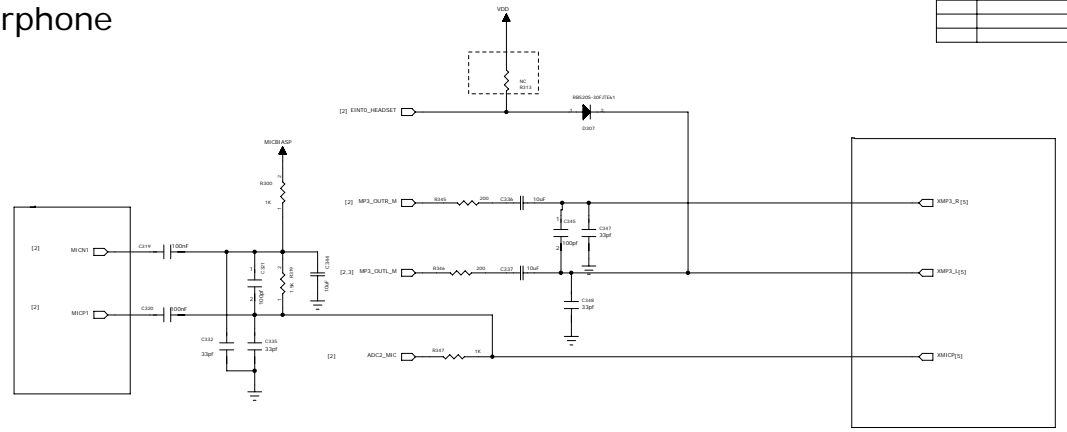
SCALE: **<Scale>**

DRAWING NO: **A1** REV: **P5**

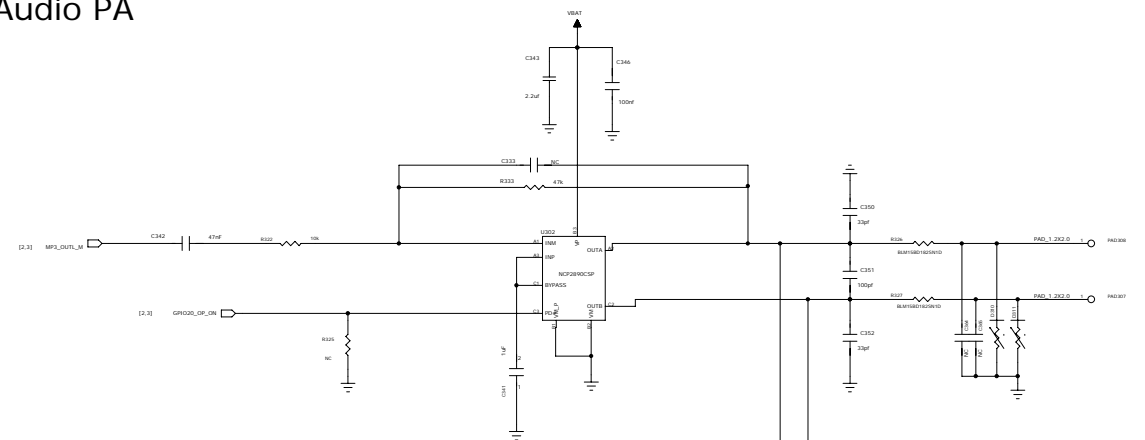
SHEET: **26** / **7**

REVISION RECORD			
LTB	ECC NO.	APPROVED	DATE

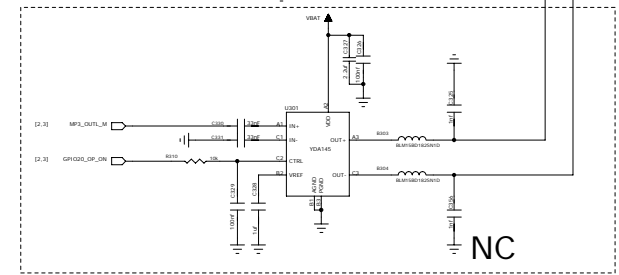
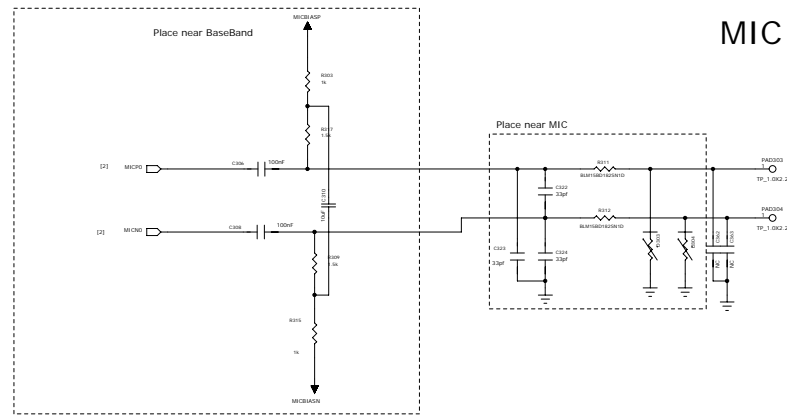
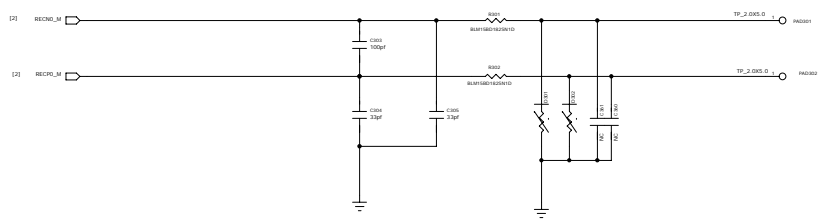
Earphone



Audio PA



REC MIC

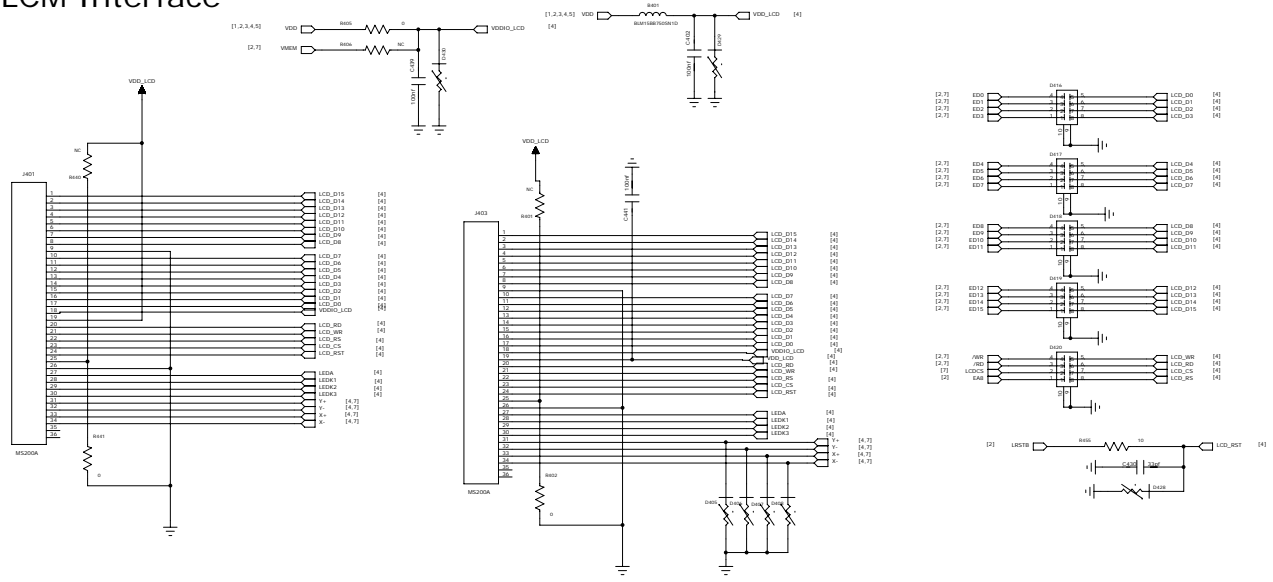


COMPANY: BeiJing DaYo Mobile

TITLE: D240

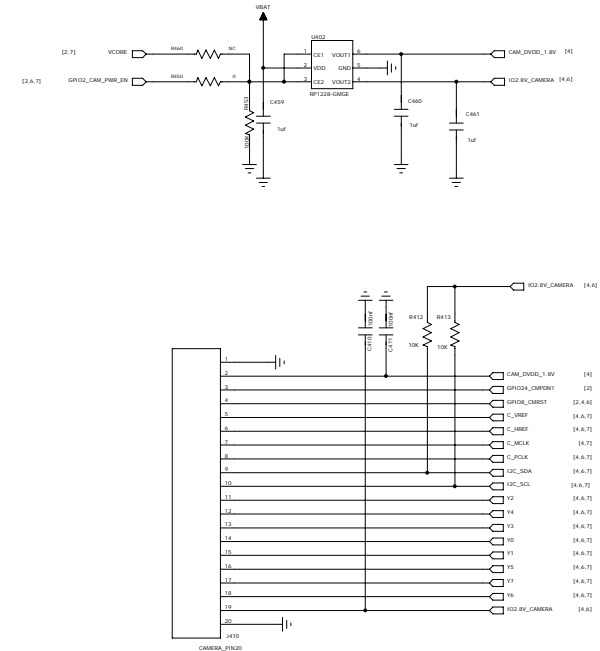
DRAWN: <Drawn By>	DATE: Dec. 11 2006	CODE	SIZE	DRAWING NO	REV.
CHECKED: <Checked By>	DATE: <Checked Date>	<Code>	A1	<Drawing Number>	P5
QUALITY CONTROL: <QC By>	DATE: <QC Date>				
RELEASED: <Released By>	DATE: <Release Date>				

LCM Interface

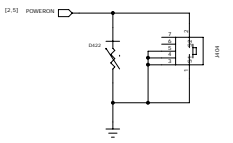


CAMERA MODULE

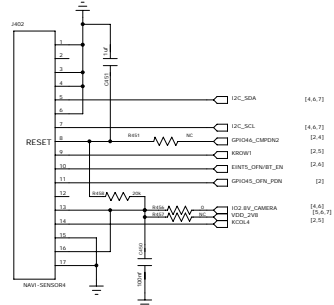
REVISION RECORD			
DATE	ECO NO.	APPROVED	DATE



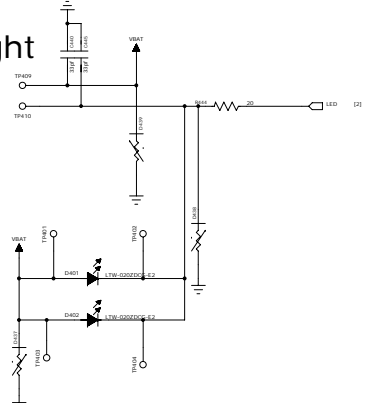
power key



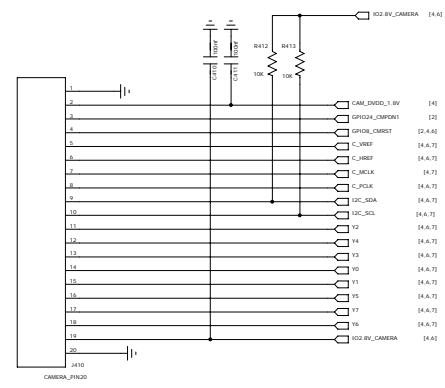
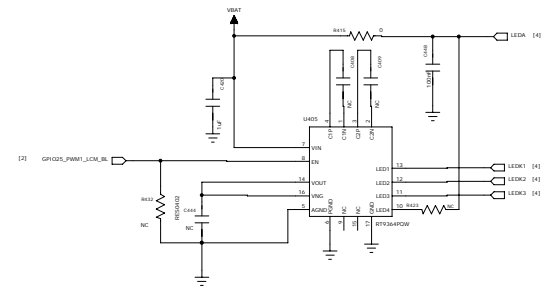
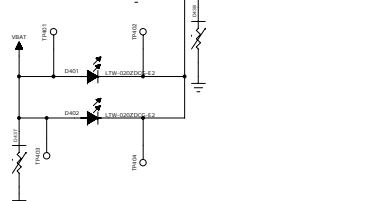
OFN



flashlight

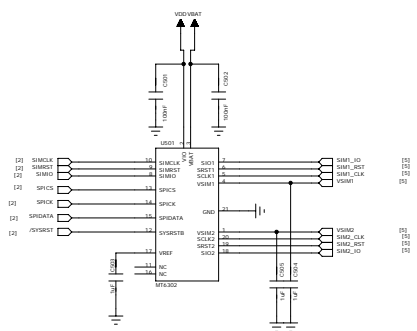
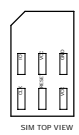
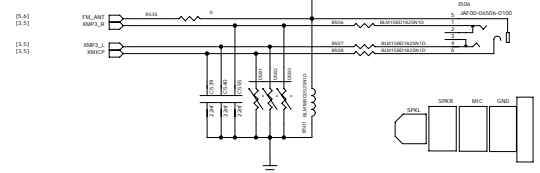
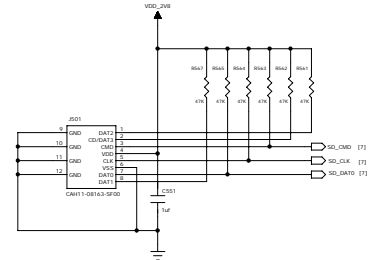
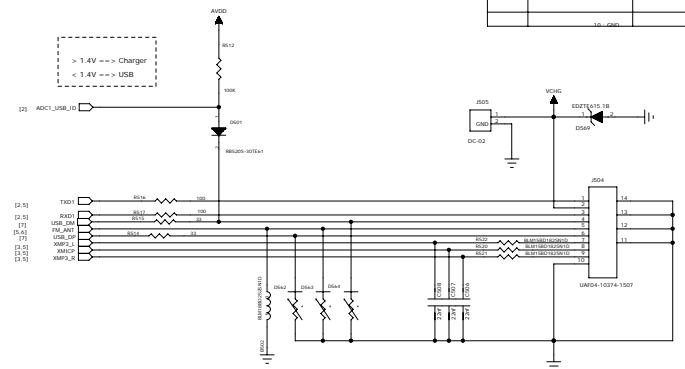
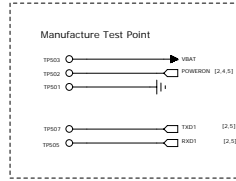


LED

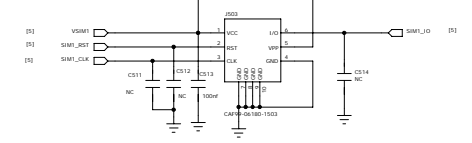


COMPANY: Beijing DaYo Mobile				
TITLE: D240				
DRAWN: <Drawn By>	DATED: Dec.11 2006	CODE:	SIZE:	DRAWING NO.:
CHECKED: <Checked By>	DATE:	<Code>	A1	<Drawing Number>
QUALITY CONTROL: <QC By>	DATE:	P5		
RELEASED: <Released By>	DATE:	SCALE: <Scale>		
SHEET 4 of 7				

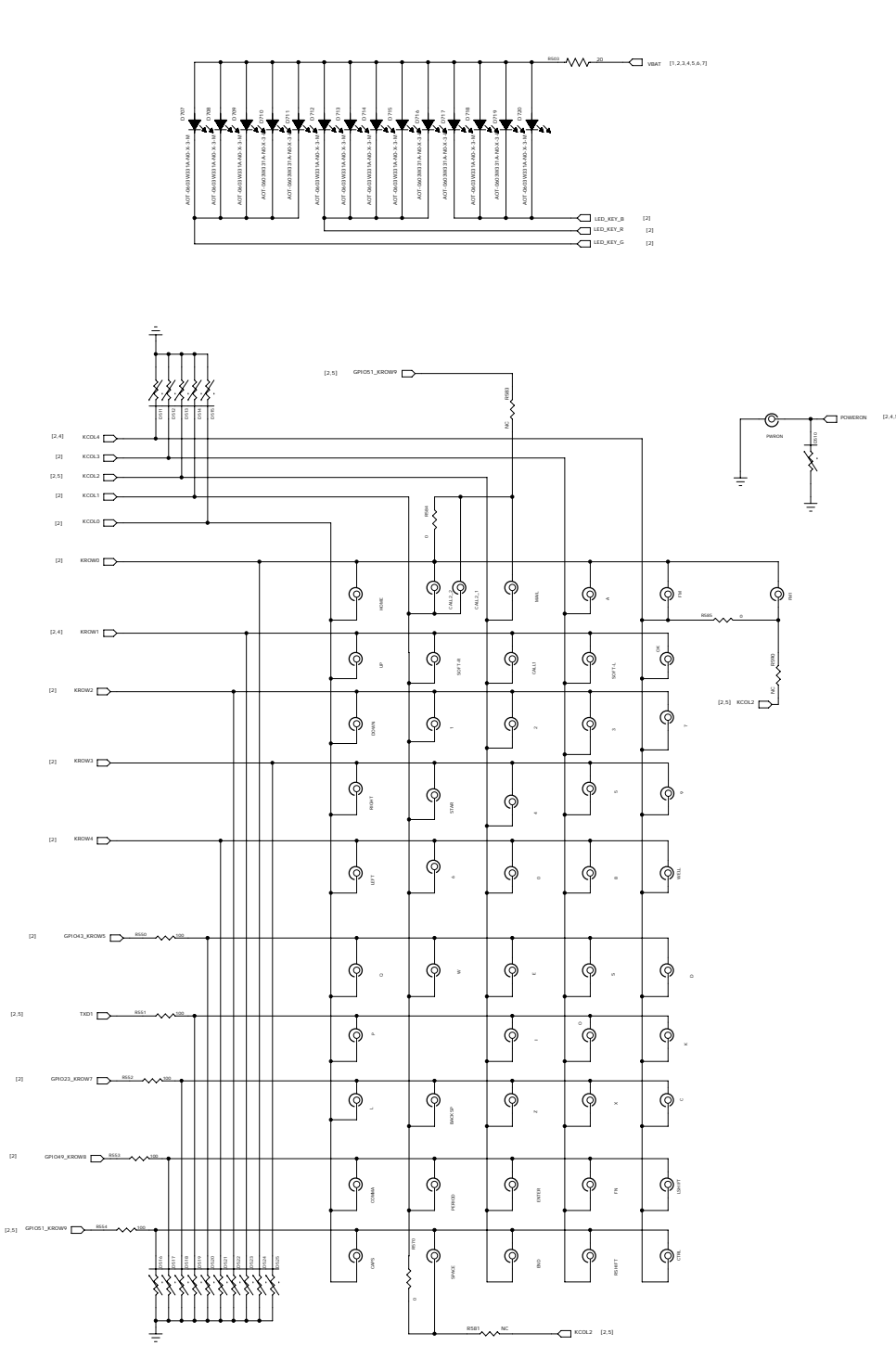
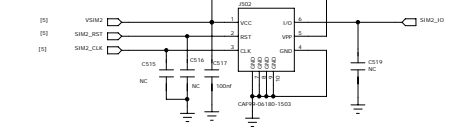
REVISION RECORD			
LTB	ECC NO.	APPROVED	DATE



Master SIM



Slave SIM

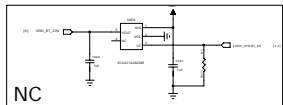
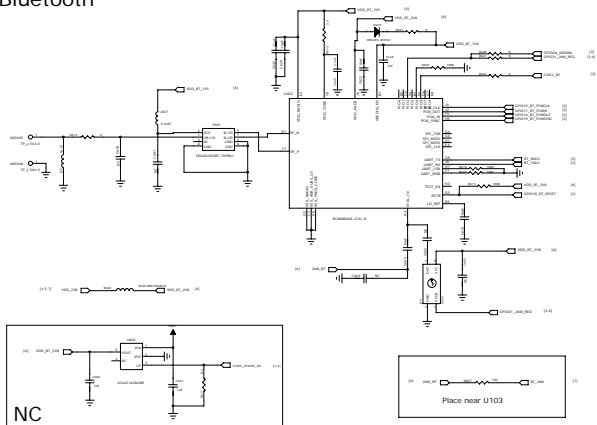


COMPANY: **BeiJing DaYo Mobile**

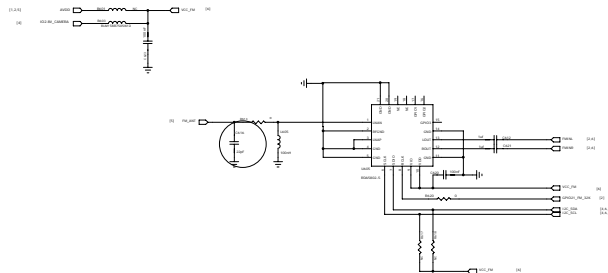
TITLE: **D240**

DRAWN: <Drawn By>	DATE: <Dec. 11 2006>	CODE	SIZE	DRAWING NO	REV.
CHECKED: <Checked By>	CHECKED DATE: <Checked Date>	<Code>	A1	<Drawing Number>	P5
QUALITY CONTROL: <QC By>	DATE: <QC Date>	SCALE: <Scale>			SHEET: 5/7
RELEASED: <Released By>	DATE: <Release Date>				

Bluetooth

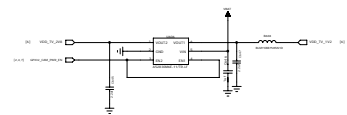
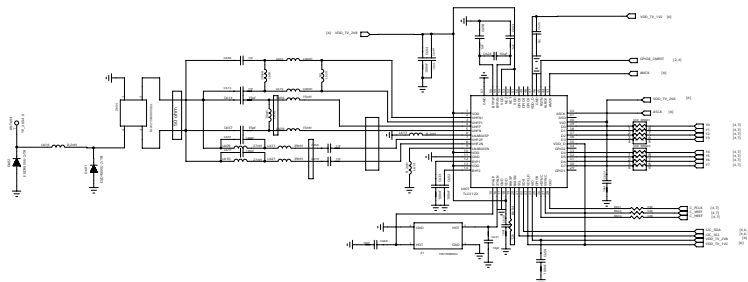


FM RADIO



REV	DESCRIPTION	DATE

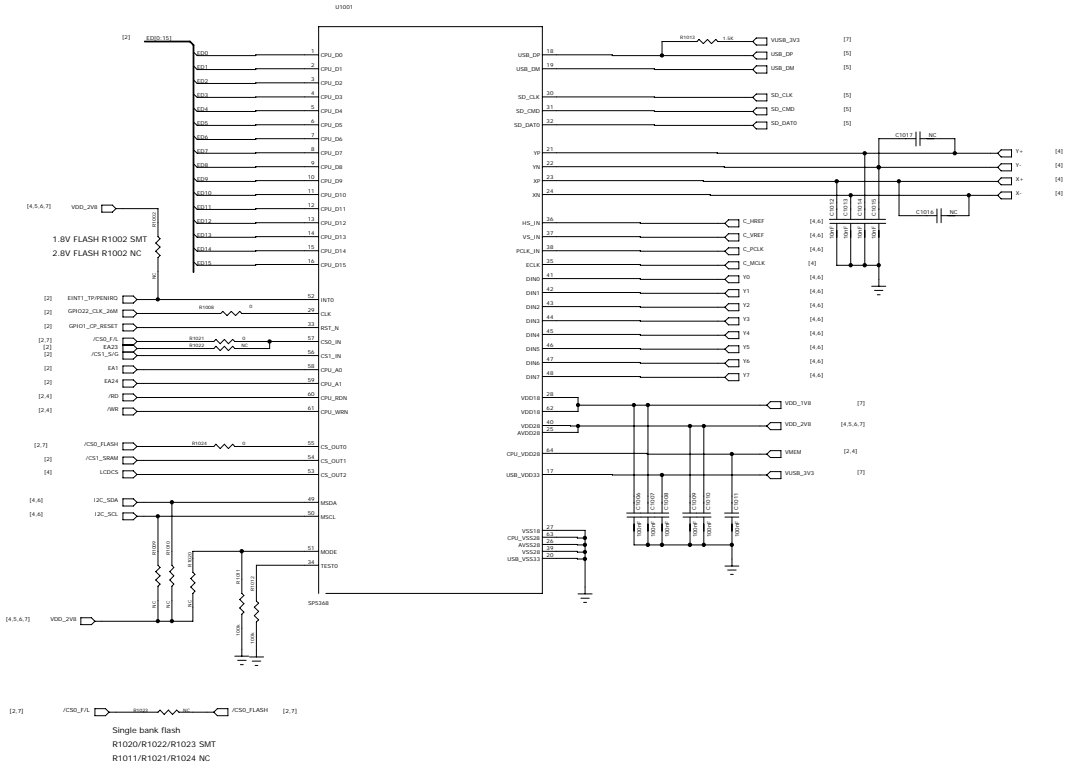
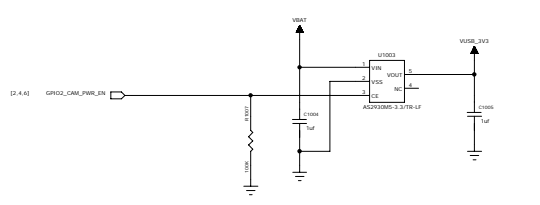
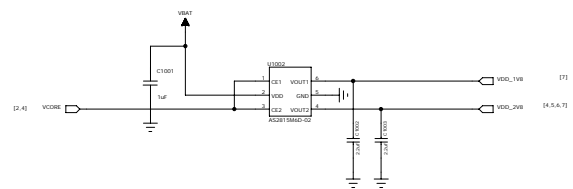
ATV



Power for TV

BeUing DaYo Mobile			
D240			
Drawn By: <Drawn By>	Scale: <Scale>	Check Date: <Check Date>	Rev: <Rev>
Checked By: <Checked By>	Scale: <Scale>	Check Date: <Check Date>	Rev: <Rev>
GC By: <GC By>	Scale: <Scale>	Check Date: <Check Date>	Rev: <Rev>
Reviewed By: <Reviewed By>	Scale: <Scale>	Check Date: <Check Date>	Rev: <Rev>

REVISION RECORD			
LTB	ECC NO.	APPROVED	DATE



Single bank flash
 R1020/R1022/R1023 SMT
 R1011/R1021/R1024 NC

COMPANY: BeiJing DaYo Mobile

TITLE: D240

DRAWN: <Drawn By>	DATED: Dec. 11 2006
CHECKED: <Checked By>	DATED: <Checked Date>
QUALITY CONTROL: <QC By>	DATED: <QC Date>
RELEASED: <Released By>	DATED: <Release Date>

CODE: <Code>	SIZE: A1	DRAWING NO: <Drawing Number>	REV: P5
SCALE: <Scale>		SHEET: 7 of 7	