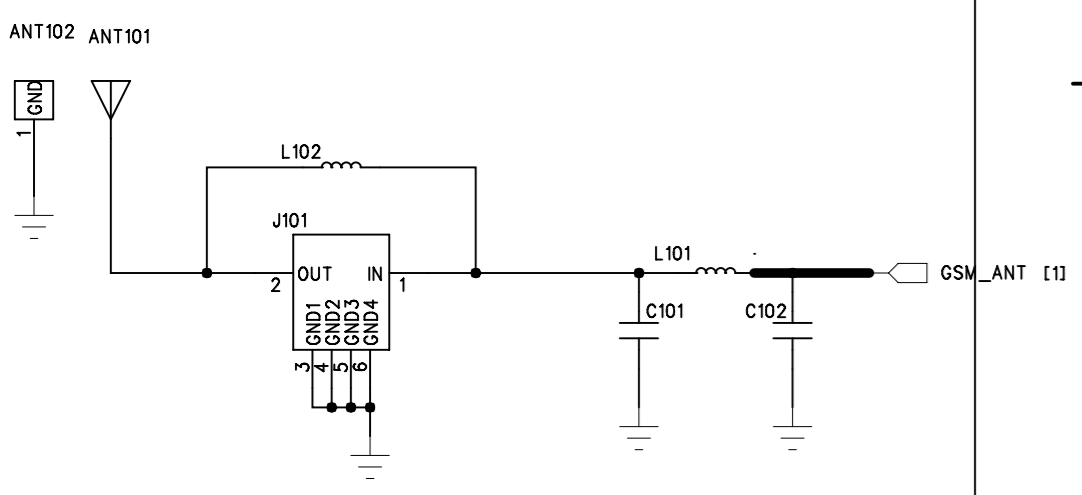
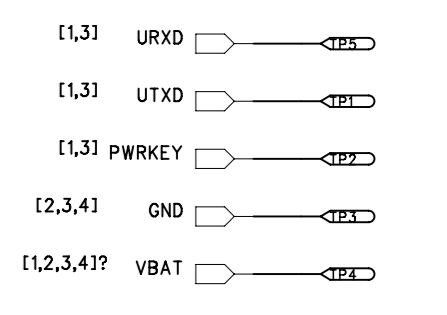
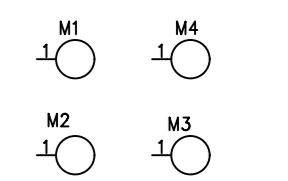


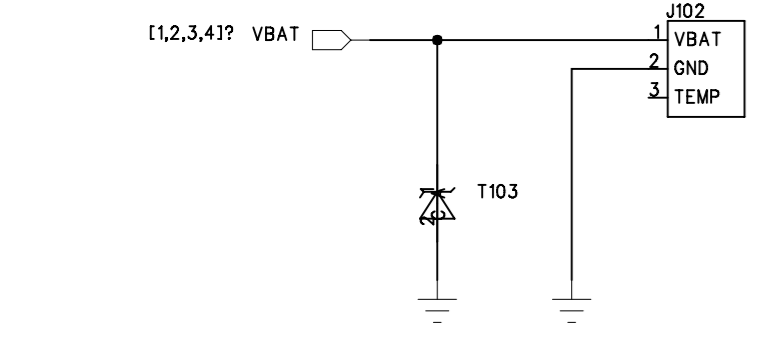
RF



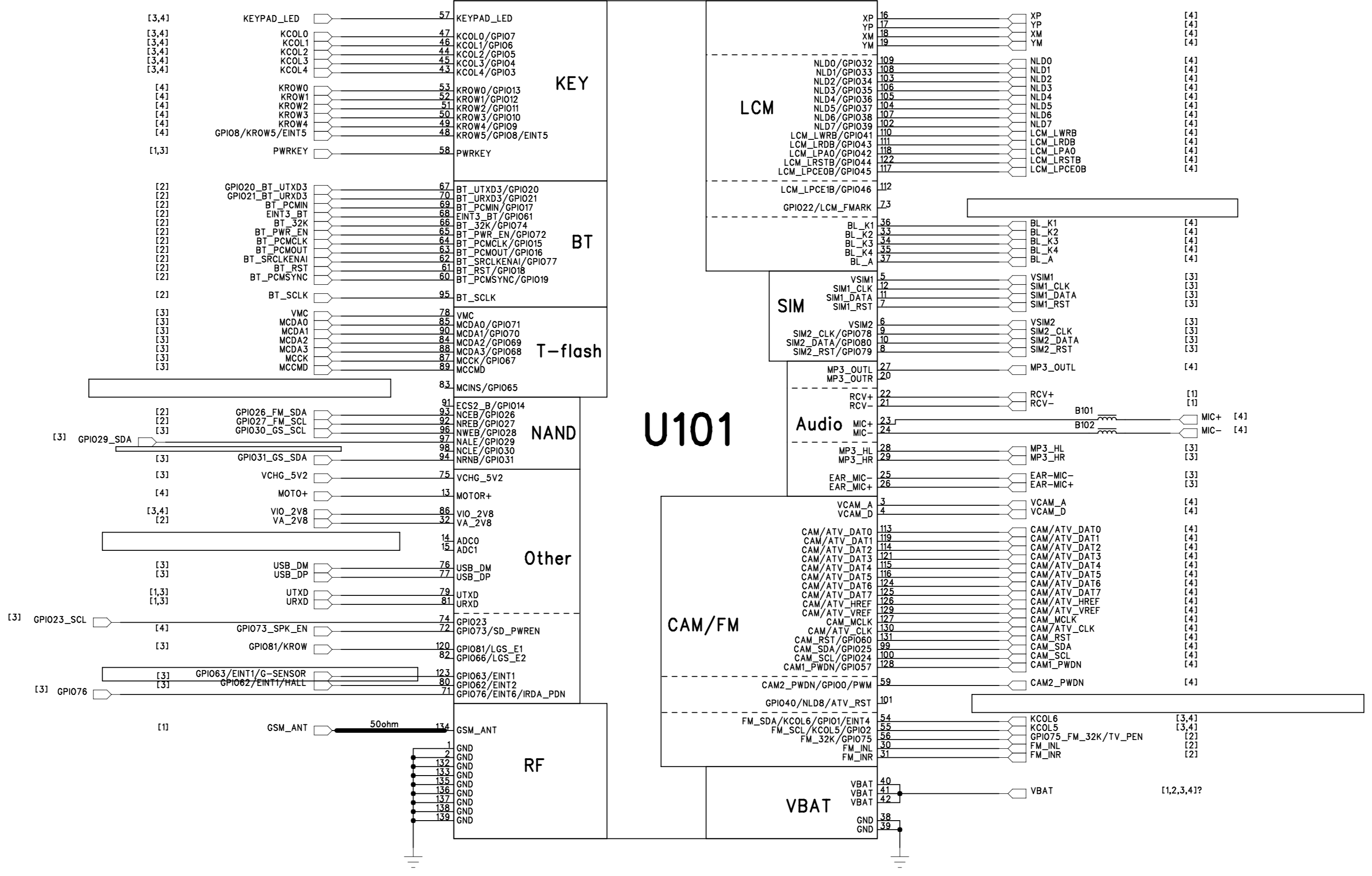
TJM5350



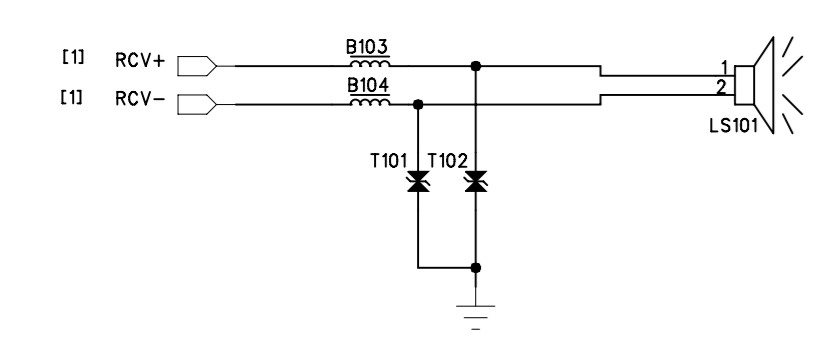
Battery_Connectors



Vibrator



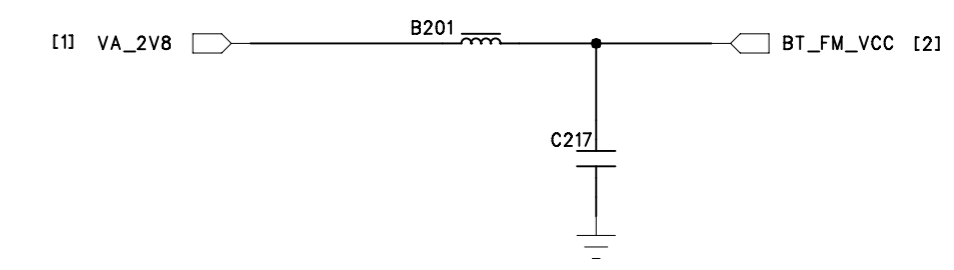
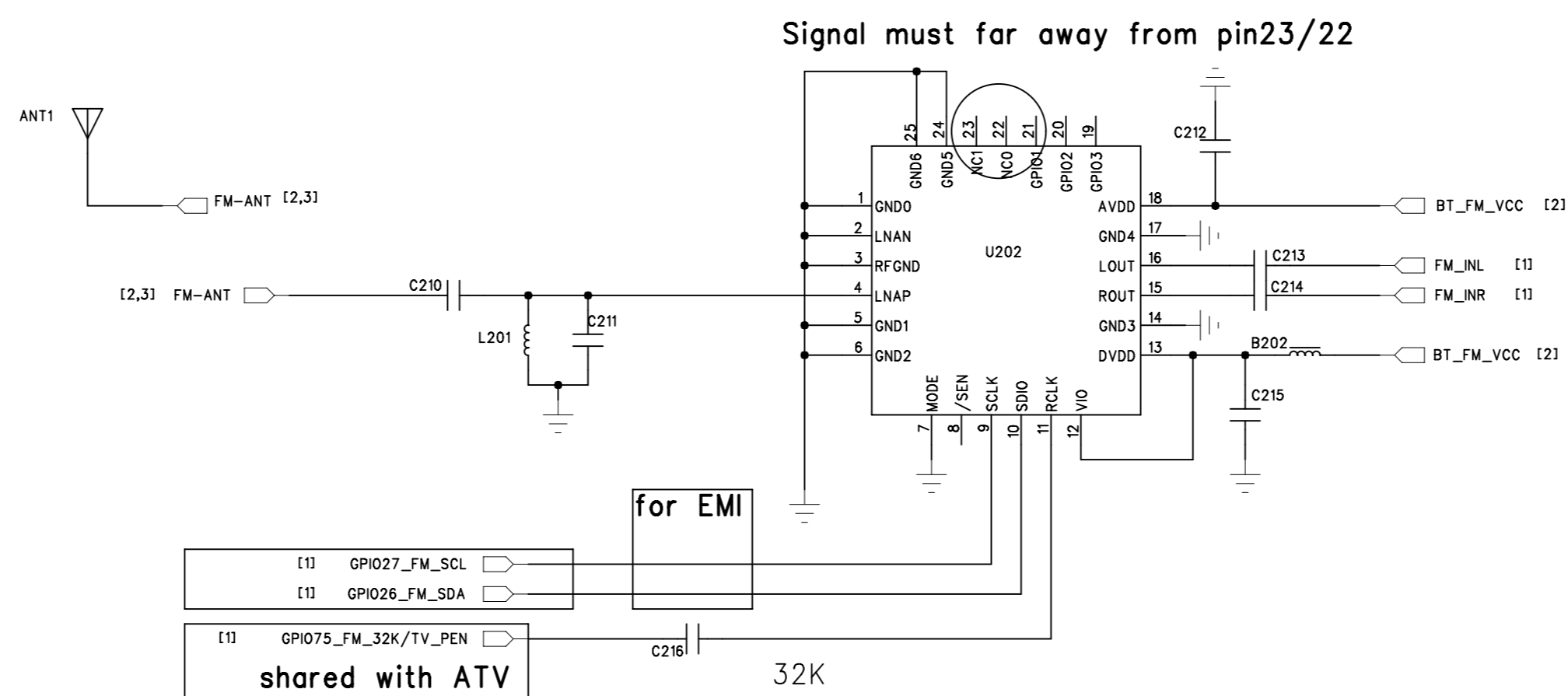
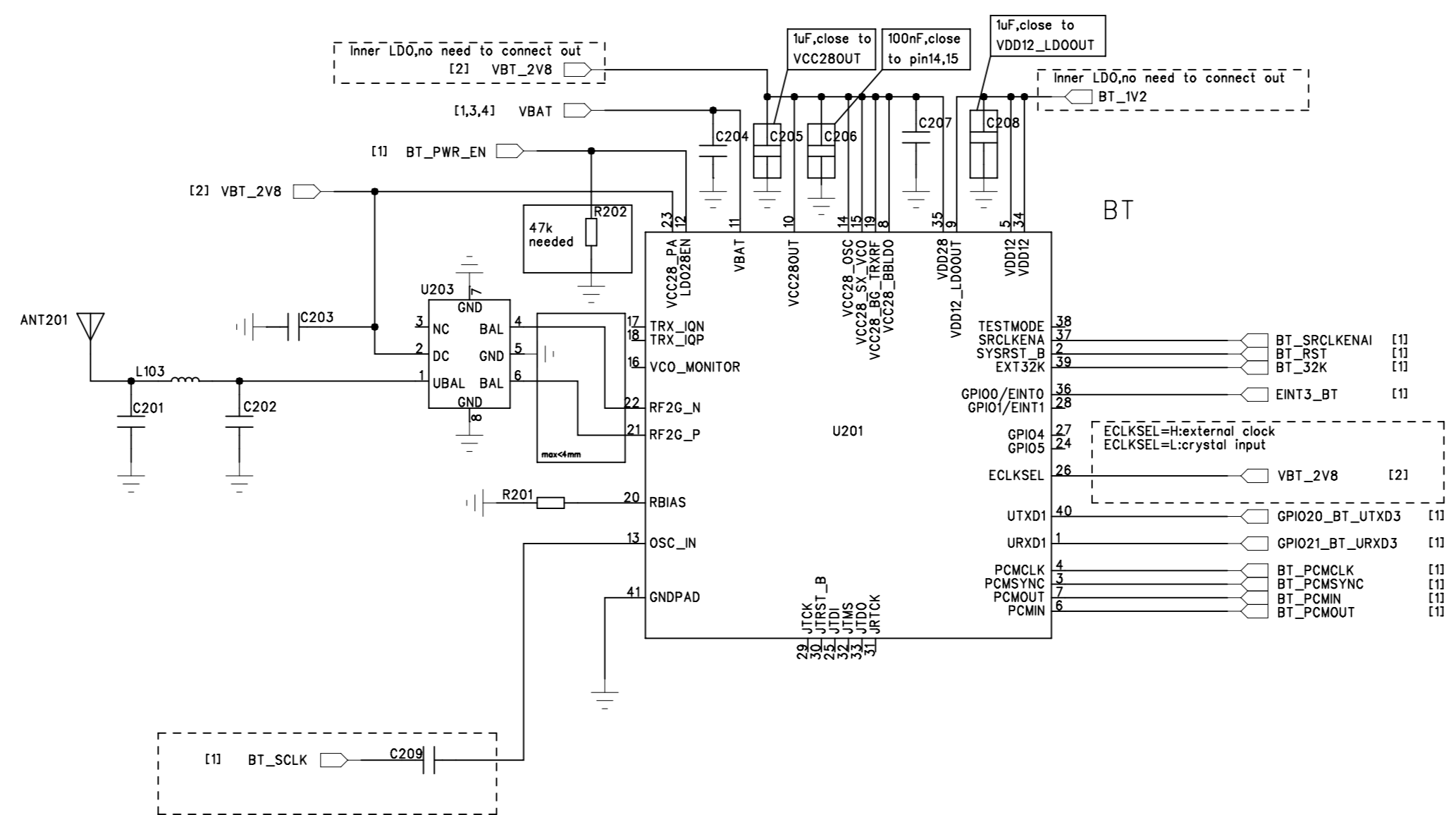
Receiver



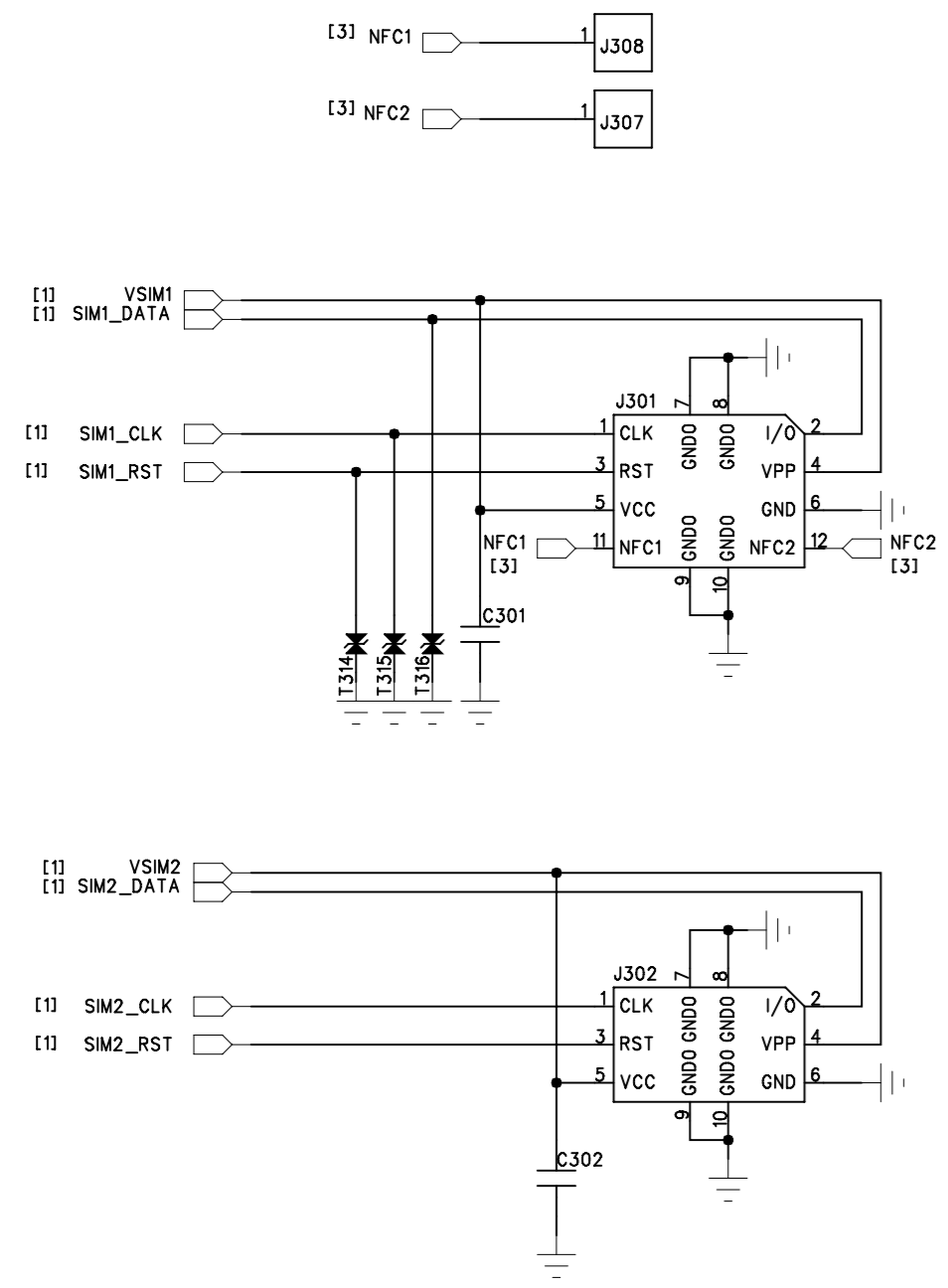
MIC

DRAWN: DaiYongfeng	DATED: 2010-10-13	TITLE: USW100_MB_V10	
CHECKED: <Checked By>	DATED: <Checked Date>		
QUALITY CONTROL: <QC By>	DATED: <QC Date>	TJ CODE: USW100_MB_V10	REV: V10
RELEASED: <Released By>	DATED: <Release Date>	SIZE: A1	SHEET: 1 of 4

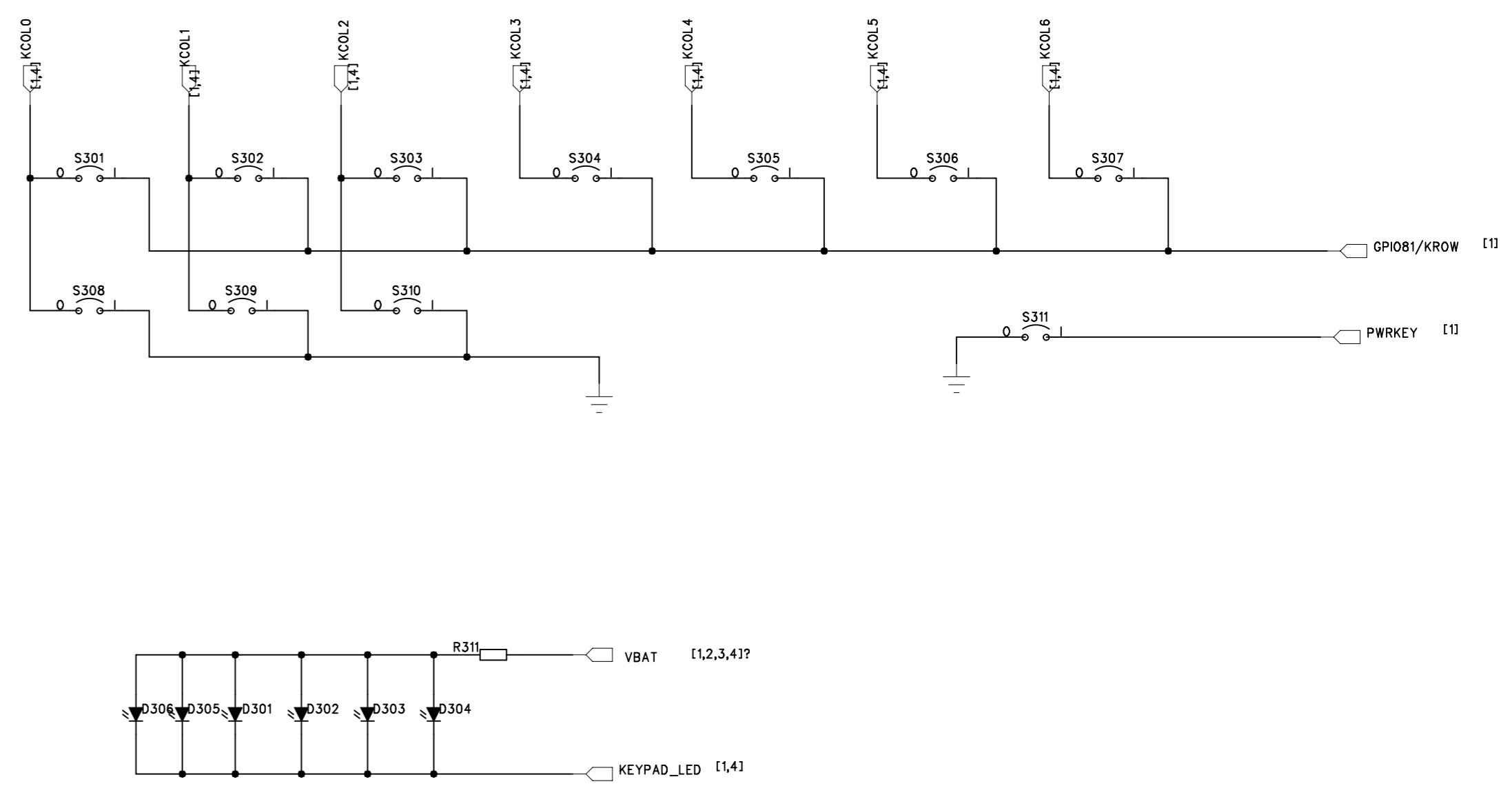
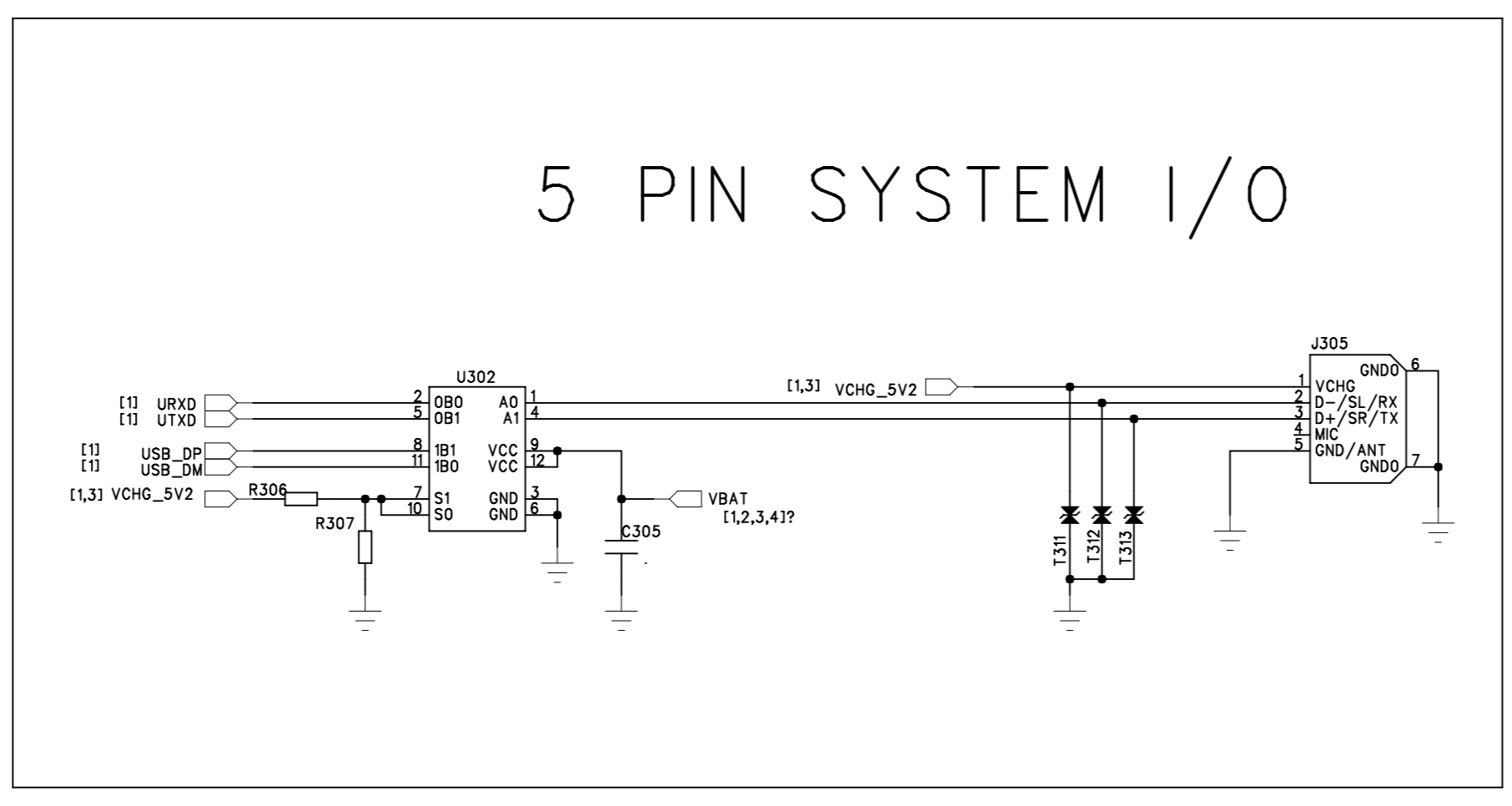
BT



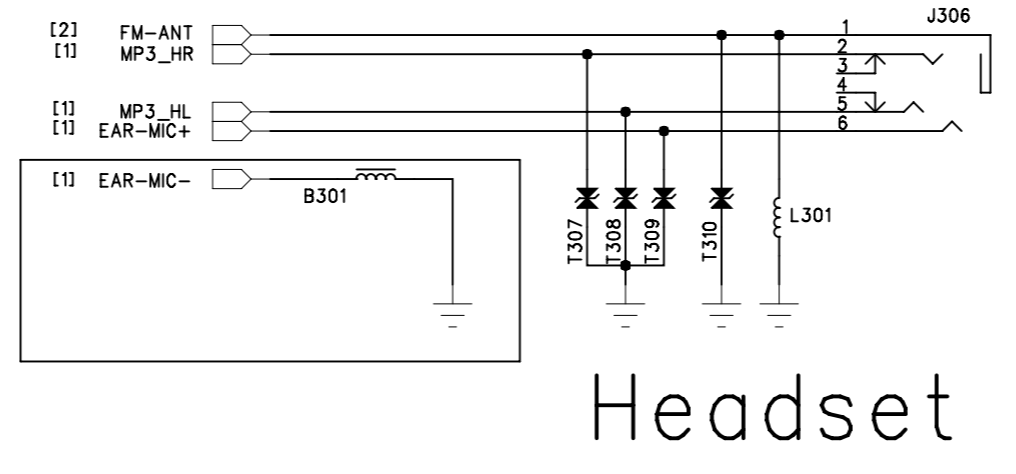
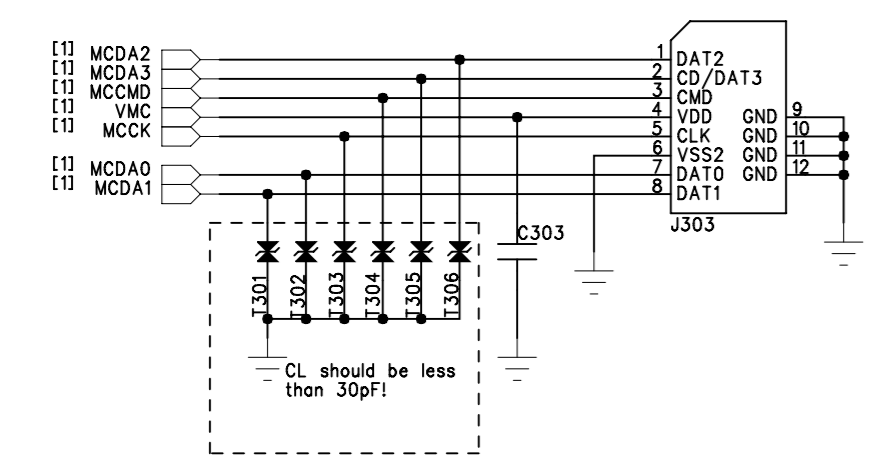
DRAWN: DaiYongfeng	DATED: 2010-10-13	TITLE: USW100_MB_V10	
CHECKED: <Checked By>	DATED: <Checked Date>		
QUALITY CONTROL: <QC By>	DATED: <QC Date>	TJ CODE: USW100_MB_V10	REV: V10
RELEASED: <Released By>	DATED: <Release Date>	SIZE: A1	SHEET: 2 OF 4



5pin_I/O



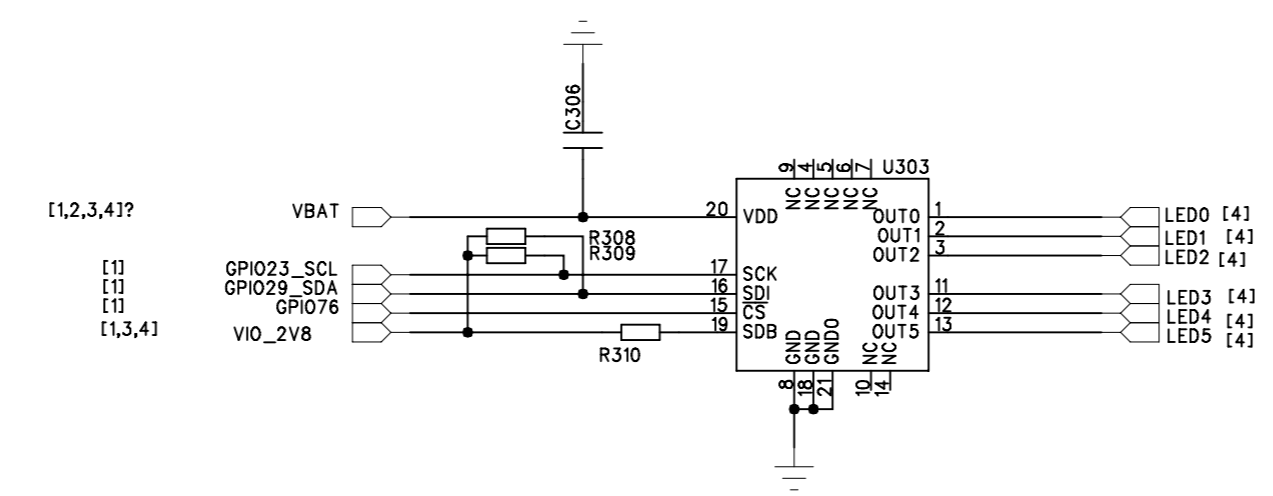
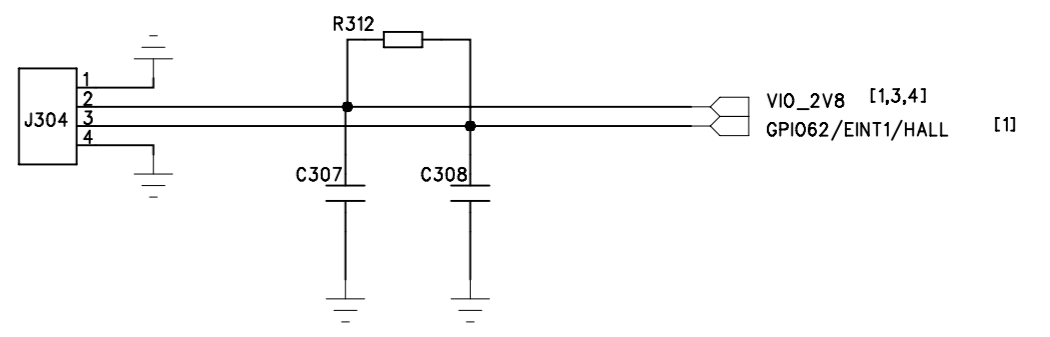
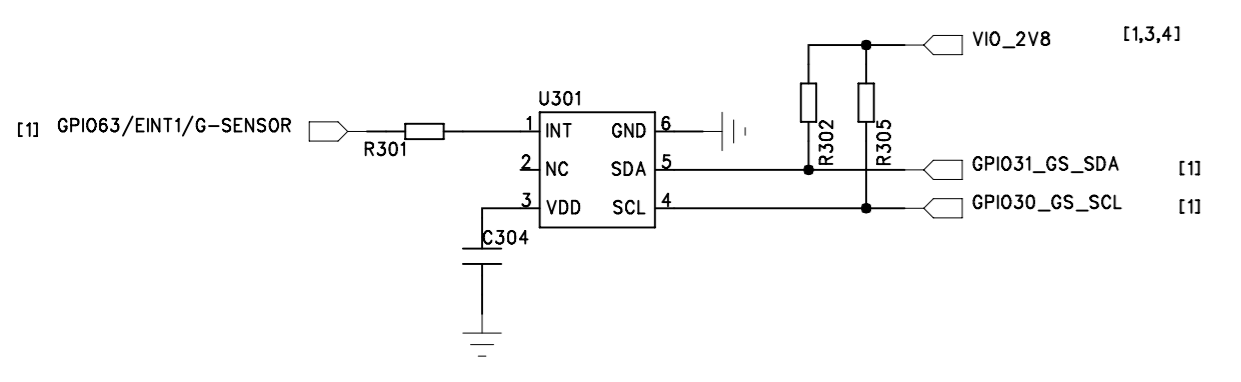
T_Flash_Card



Headset

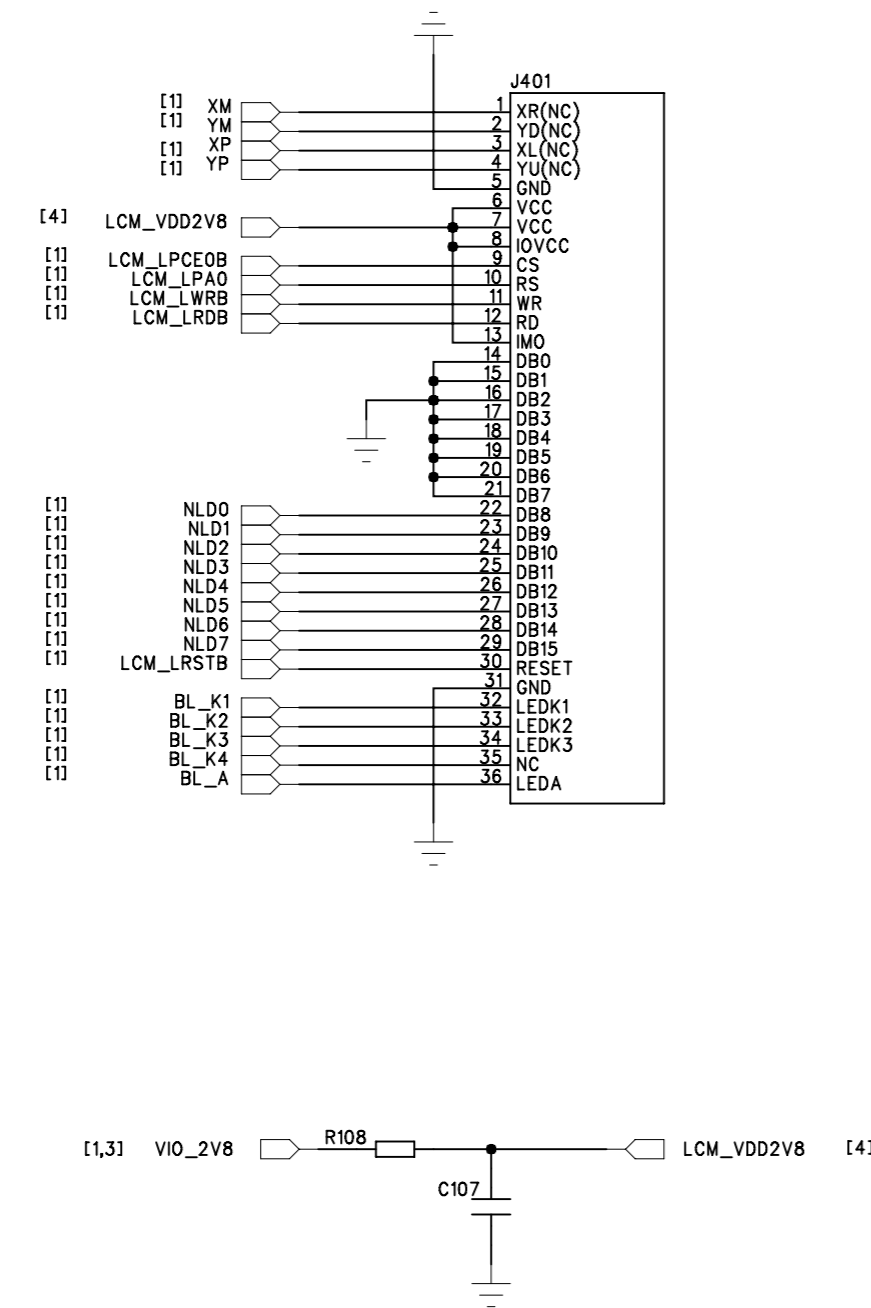
G_Sensor

2D,light G sensor



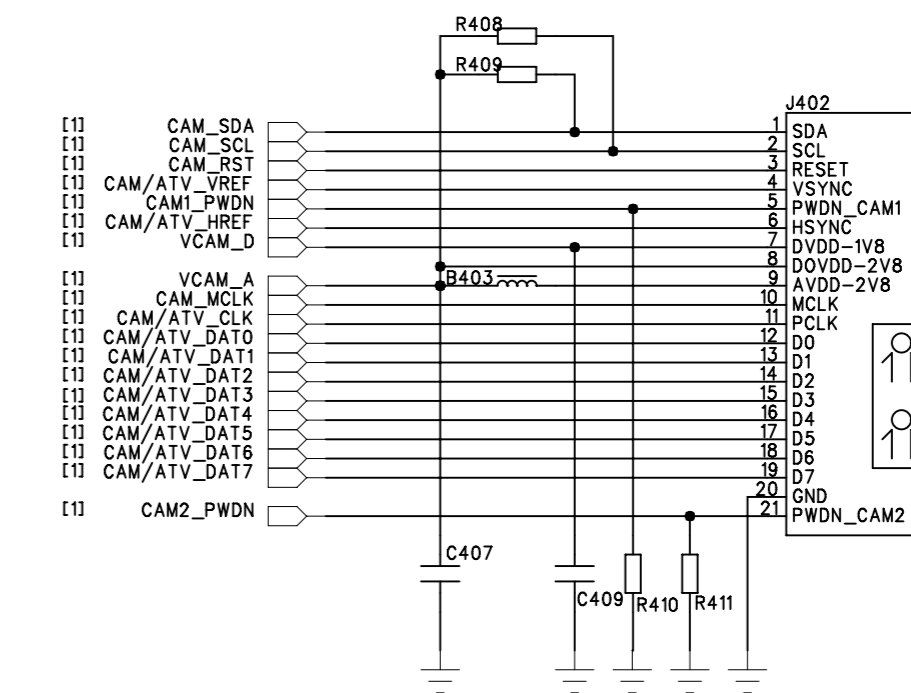
DRAWN: DaiYongfeng	DATED: 2010-10-13	TITLE: USW100_MB_V10
CHECKED: <Checked By>	DATED: <Checked Date>	
QUALITY CONTROL: <QC By>	DATED: <QC Date>	TJ CODE: USW100_MB_V10
RELEASED: <Released By>	DATED: <Release Date>	REV: V10
SIZE: A1		SHEET: 3 OF 4

LCM

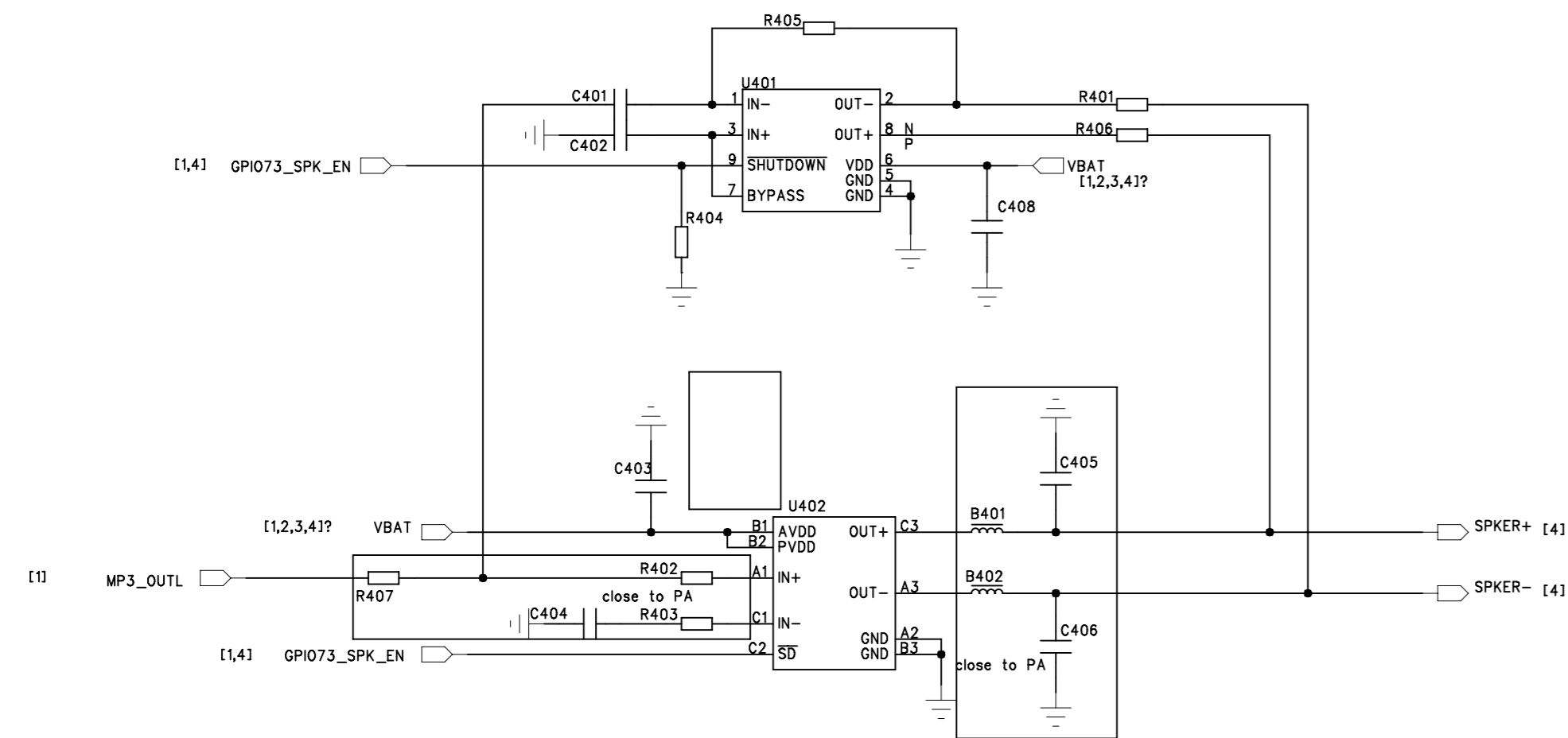


Length	Unit	Unit	Unit
Color	262K	85K	262K
M1	GND	GND	VCC
M3	VCC	GND	VCC

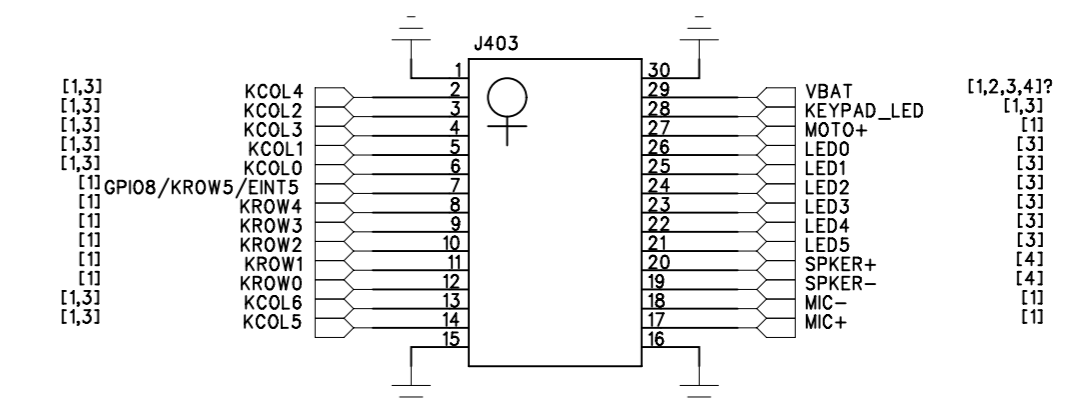
Sensor



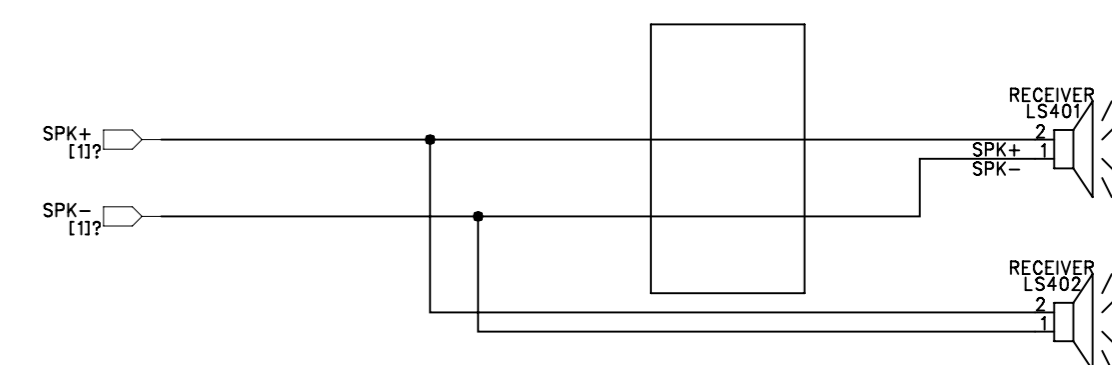
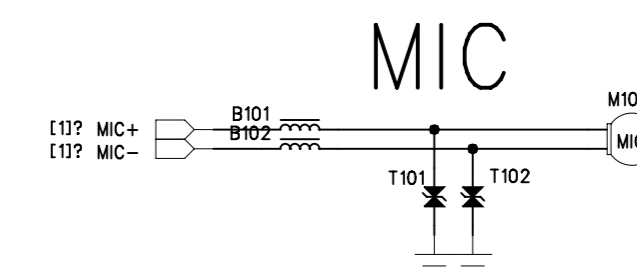
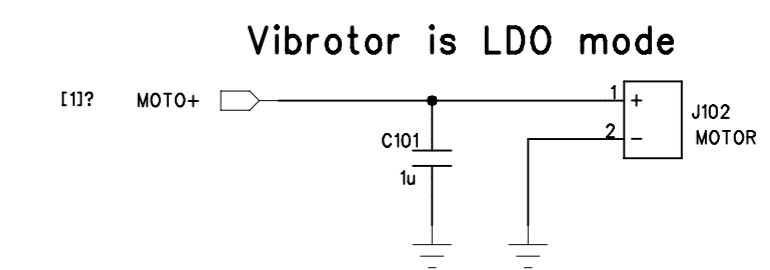
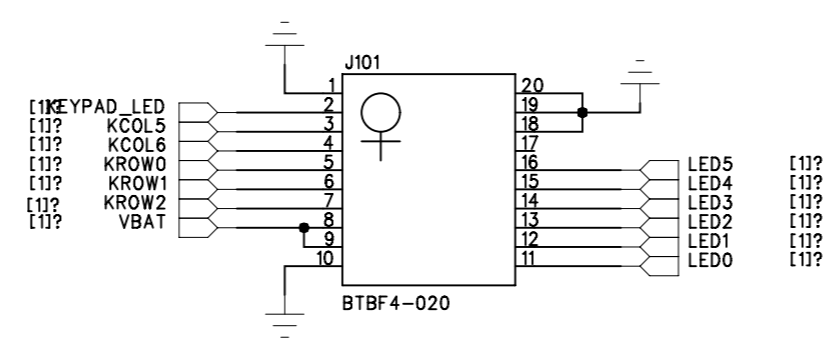
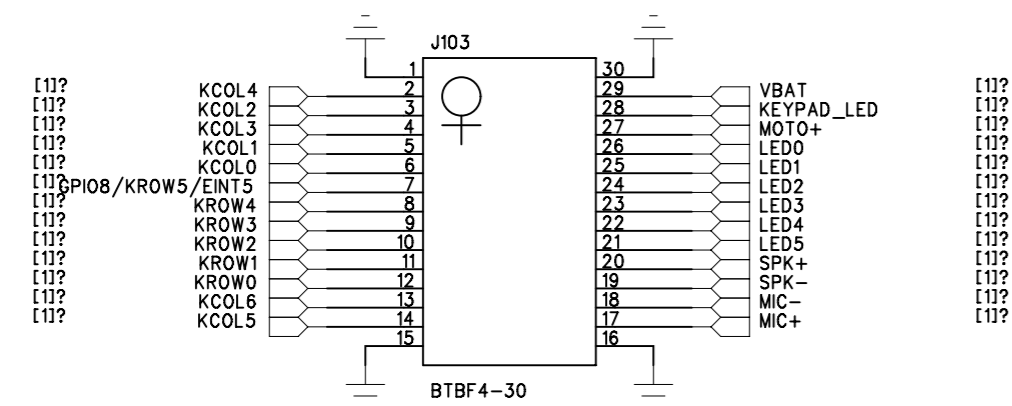
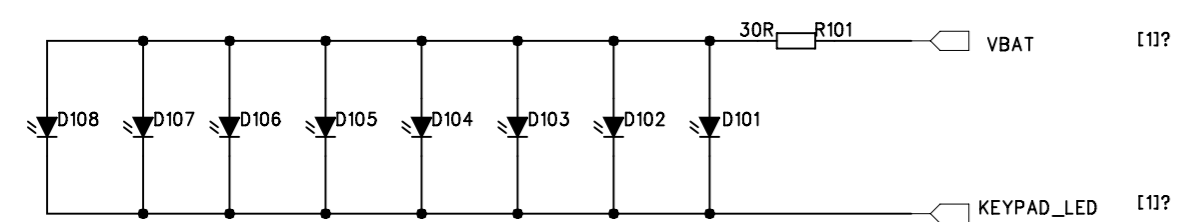
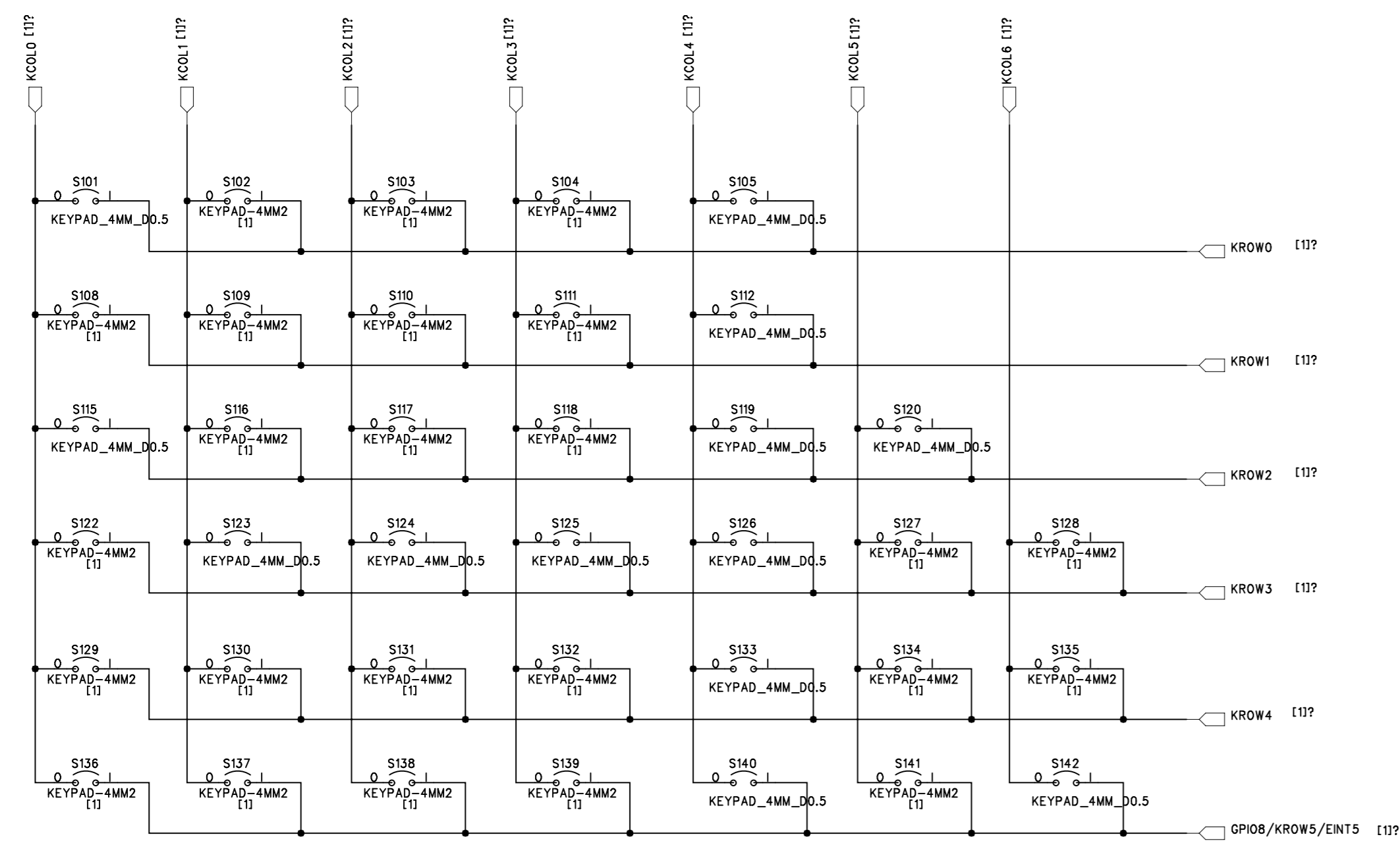
Audio Amplifier & Speaker



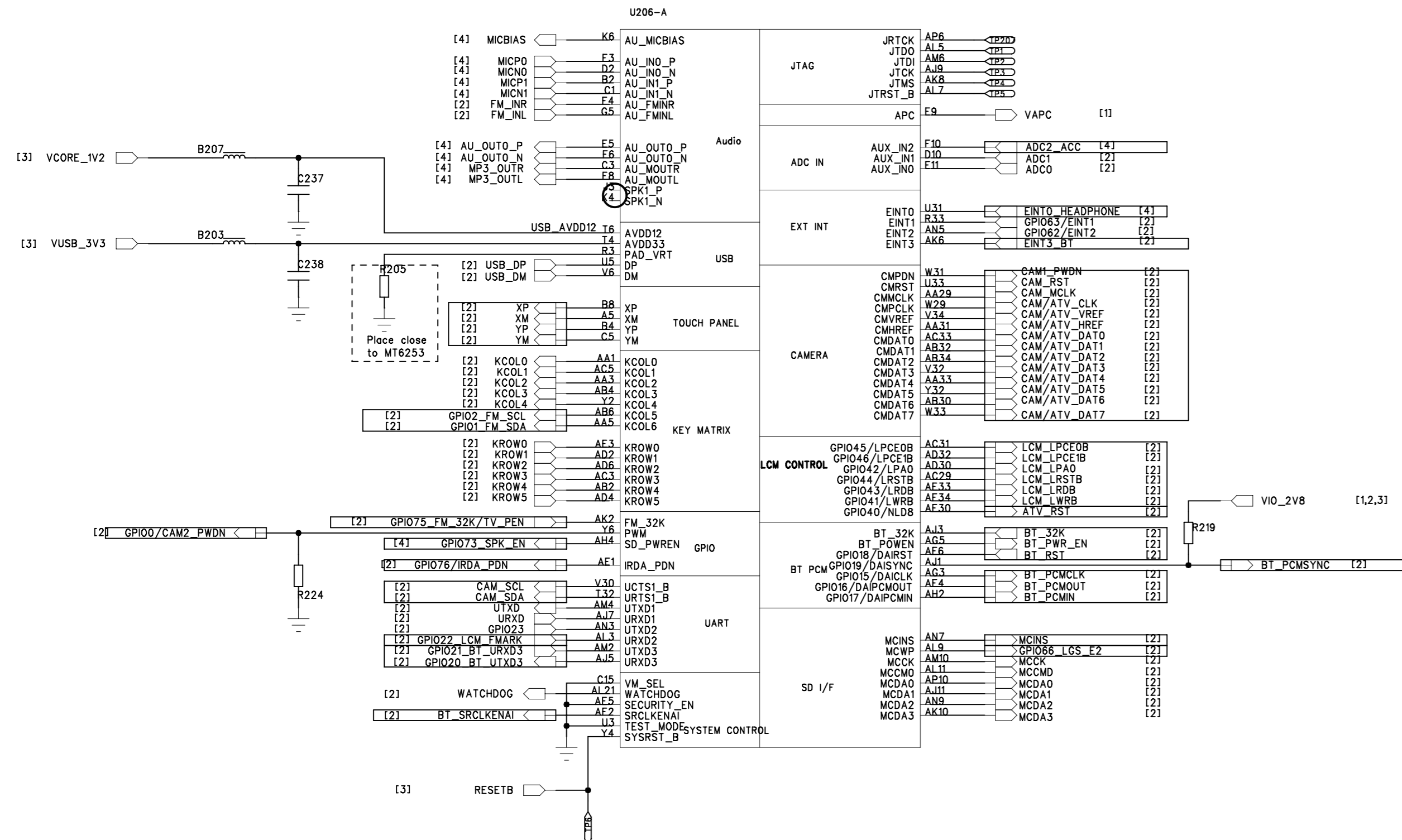
If use4990: R407=20K C401=10NF C402=10NF R405=100K Gain=5 F0=800HZ
If useAW8110: R407=6.8NF R402=47K C404=6.8NF R403=47K Gain=9.5 F0=500HZ R407=4.7NF R402=47K C404=4.7NF R403=47K Gain=9.5 F0=720HZ



DRAWN: DaiYongfeng CHECKED: <Checked By> QUALITY CONTROL: <QC By> RELEASED: <Released By>	DATED: 2010-10-13 DATED: <Checked Date> DATED: <QC Date> DATED: <Release Date>	TITLE: USW100_MB_V10 REV: V10	SIZE: A1 SHEET: 4 of 4
--	---	----------------------------------	---------------------------

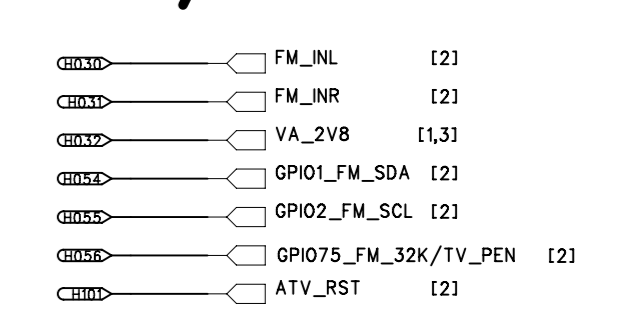


DRAWN: DaiYongfeng	DATED: 20101016	TITLE: TJUSW100_KP_V10	
CHECKED: <Checked By>	DATED: <Checked Date>		
QUALITY CONTROL: <QC By>	DATED: <QC Date>	TJ CODE: <Code>	REV: V10
RELEASED: <Released By>	DATED: <Release Date>	SIZE: A1	SHEET: 1 of 1

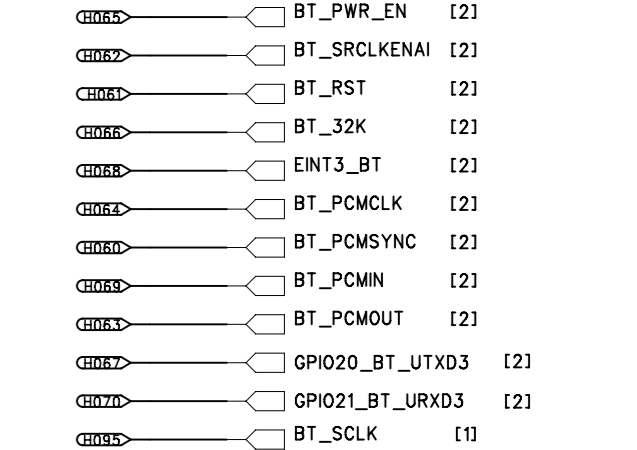


1/M
1/M2

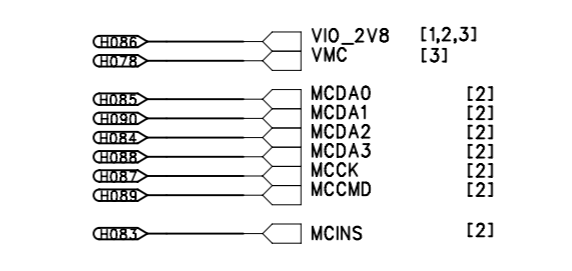
FM/ATV



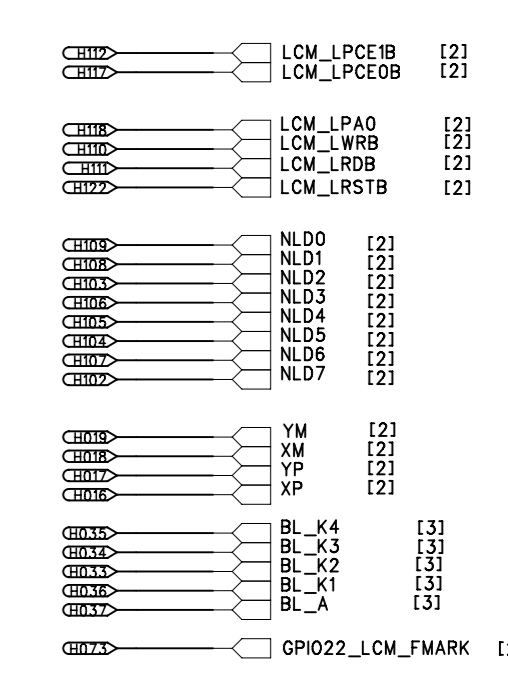
BT



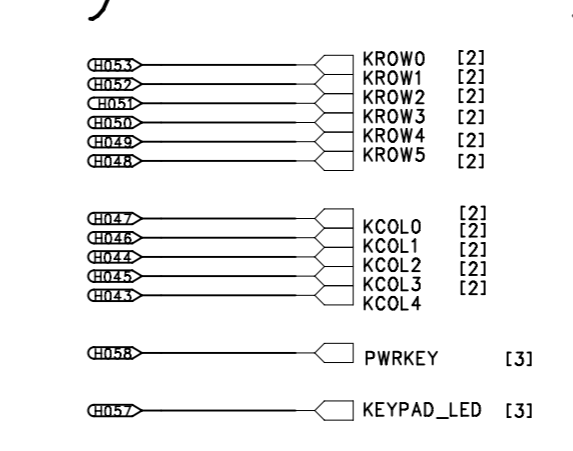
T-FLASH CONNECTOR



DUAL LCM



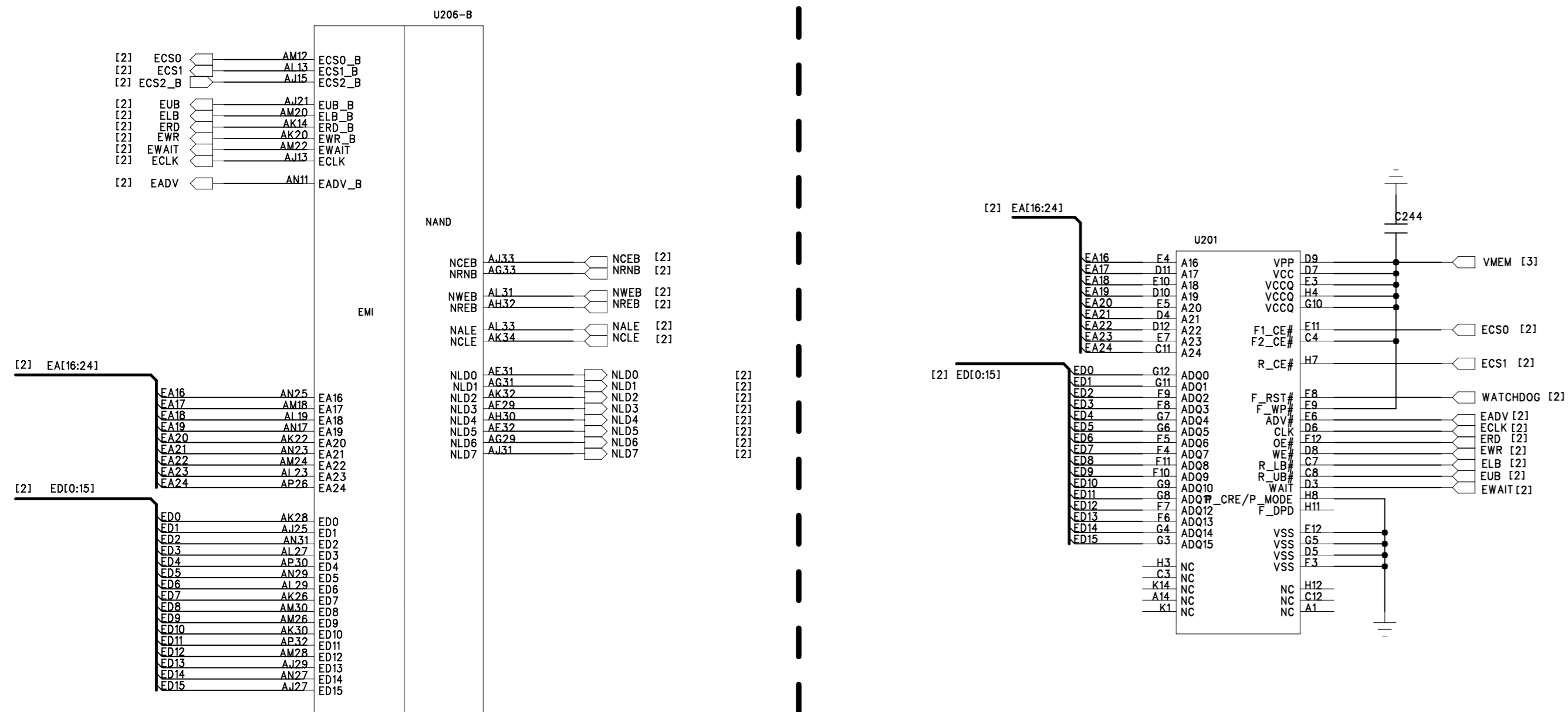
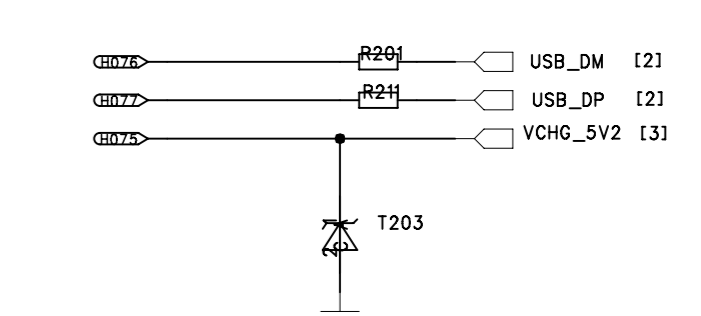
Keys BackLight LED



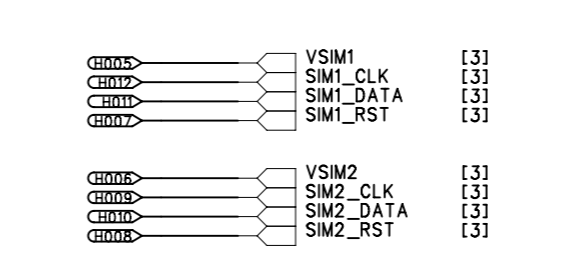
2D,light G sensor



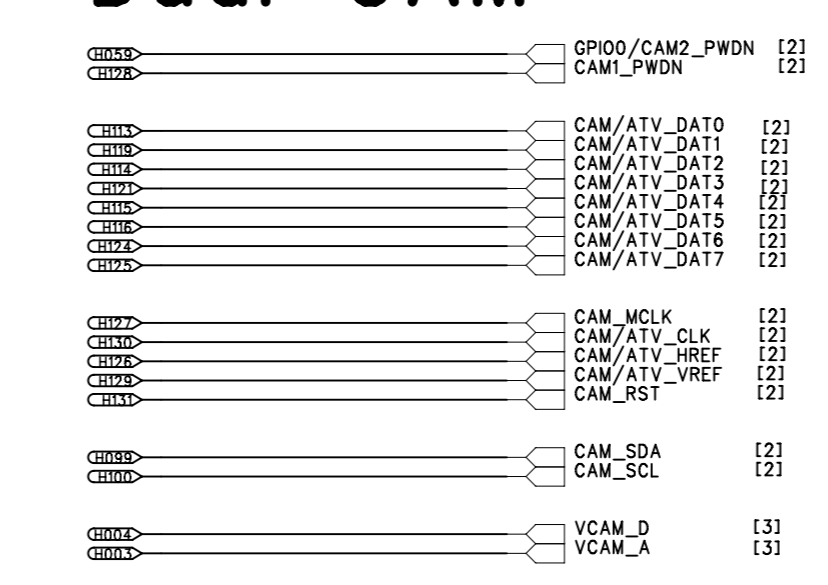
5 PIN SYSTEM IO



Dual SIM



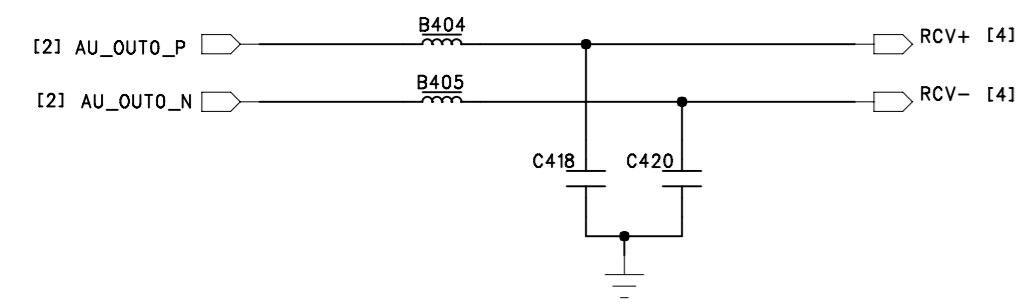
Dual CAM



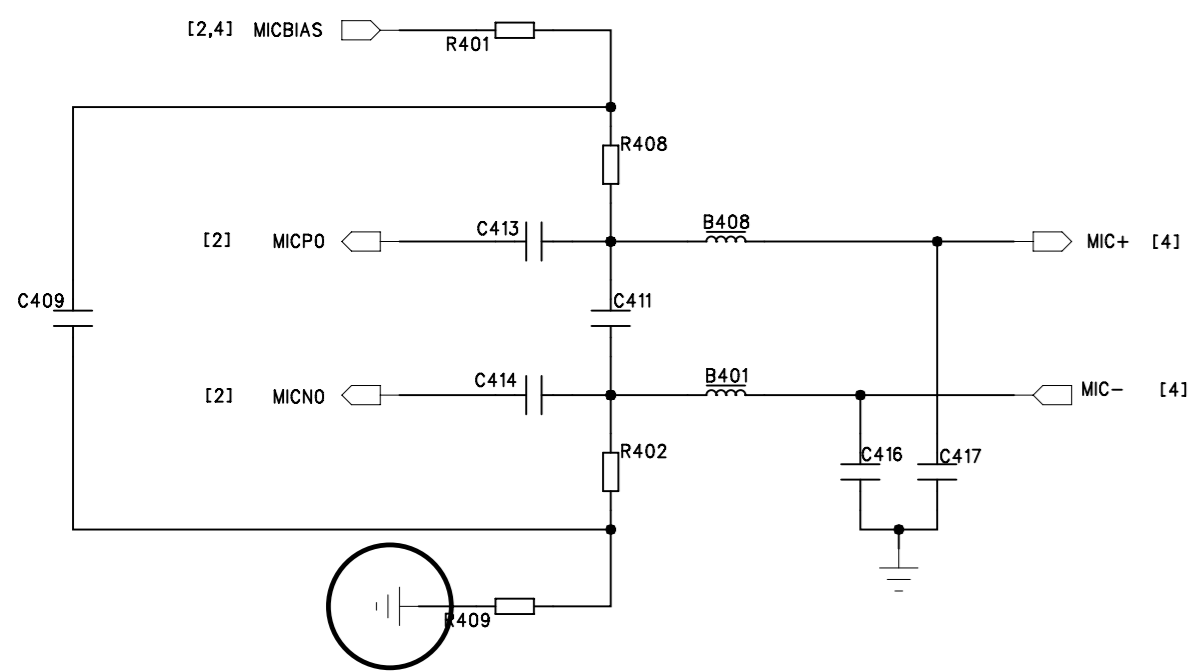
DRAWN: Alex Yong	DATED: 2009-09-22	TITLE: M5350	
CHECKED: <Checked By>	DATED: <Checked Date>	TJ CODE: <Code>	REV: V10
QUALITY CONTROL: <QC By>	DATED: <QC Date>	SIZE: A1	SHEET: 2 of 4
RELEASED: <Released By>	DATED: <Release Date>		

Normal Audio

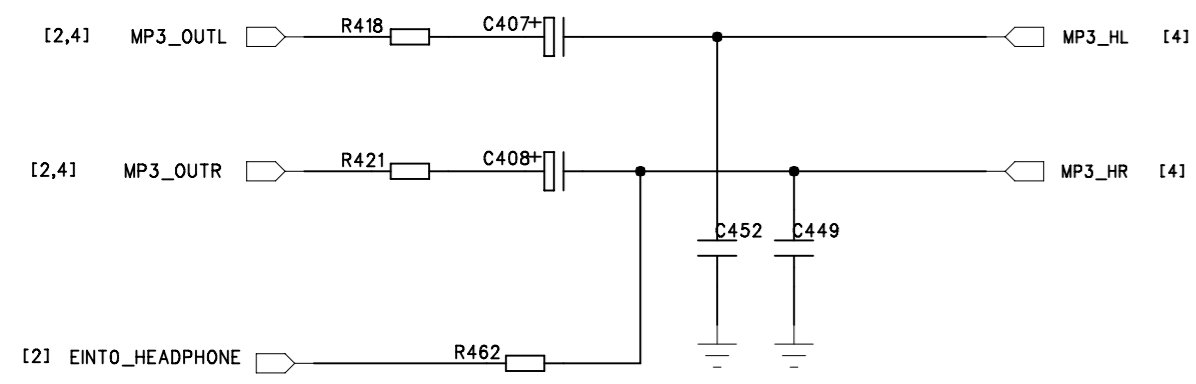
Normal Receiver



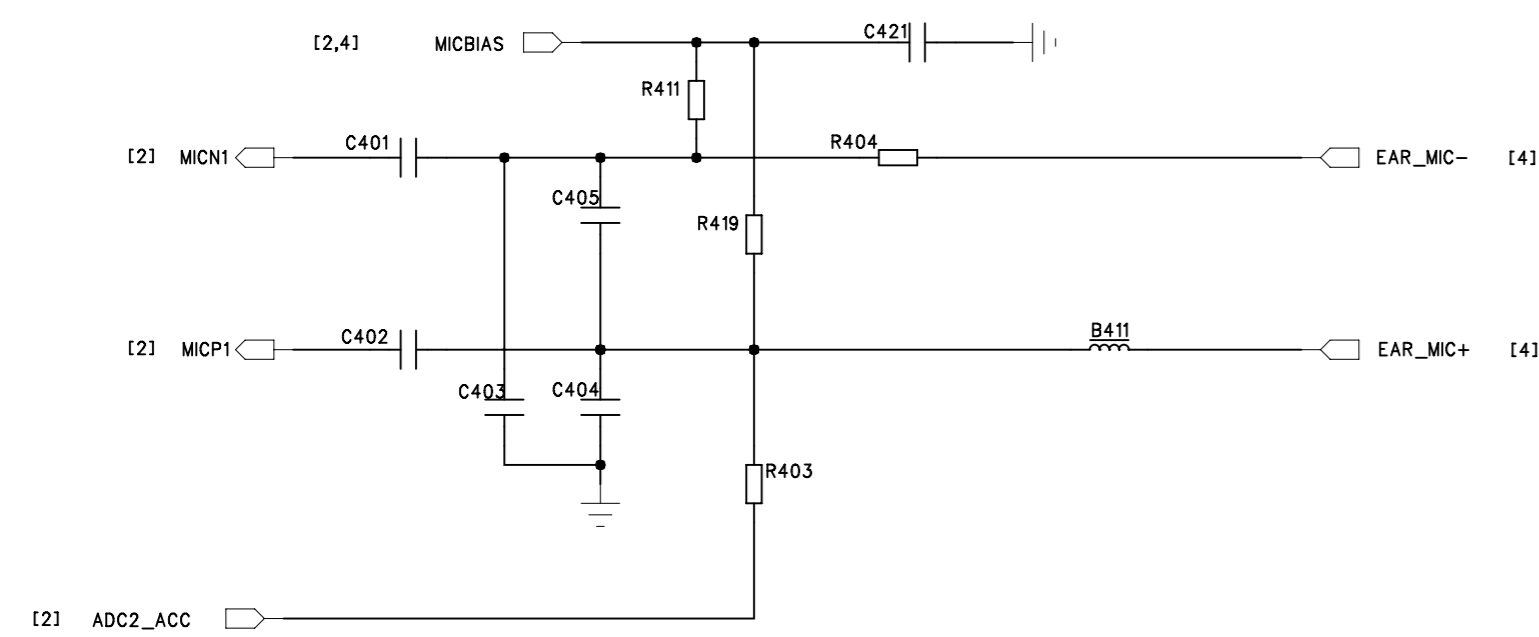
NORMAL MIC. INPUT



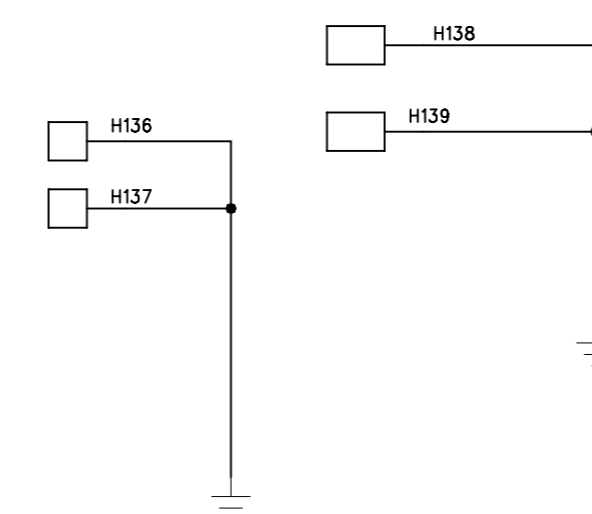
Headset Audio



HEADSET MIC



- GPIO72 > GPIO73_SPK_EN [2]
- GPIO72 > MP3_OUTL [2,4]
- GPIO72 > MP3_OUTR [2,4]
- GPIO72 > MIC+ [4]
- GPIO72 > MIC- [4]
- GPIO72 > RCV+ [4]
- GPIO72 > RCV- [4]
- GPIO72 > EAR_MIC- [4]
- GPIO72 > EAR_MIC+ [4]
- GPIO72 > MP3_HL [4]
- GPIO72 > MP3_HR [4]



DRAWN: Alex Yang	DATED: 2009-09-22	TITLE: M5350	
CHECKED: <Checked By>	DATED: <Checked Date>	TJ CODE: <Code>	REV: V10
QUALITY CONTROL: <QC By>	DATED: <QC Date>	RELEASED: <Released By>	DATED: <Release Date>
SIZE: A1		SHEET: 4 of 4	